



Frontier Electronics Corp.

667 E. COCHRAN STREET, SIMI VALLEY, CA 93065

TEL: (805) 522-9998 FAX: (805) 522-9989

E-mail: frontiersales@frontierusa.com

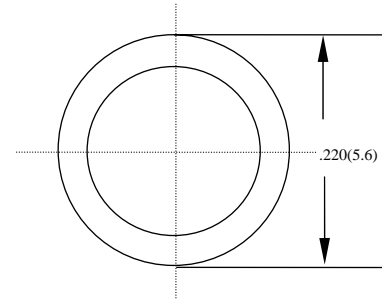
Web: <http://www.frontierusa.com>

6A SILICON RECTIFIER CELL

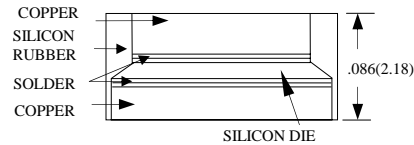
SC60-005 THRU SC60-10

FEATURES

- IDEAL FOR HYBRID CIRCUITS
- SOLDER MOUNTING SURFACES
- TYPICAL I_R LESS THAN $1\mu A$
- DIFFUSED JUNCTION
- HIGH SURGE CAPABILITY
- MOUNTING POSITION: ANY
- SOZA PACKAGE DIMENSION IN INCHES AND (MILLIMETERS)



CELL DESIGNATION: A SUFFIX LETTER IS ADDED TO THE PRIMARY CELL DESIGNATION TO INDICATES THE CELL VOLTAGE



MAXIMUM RATINGS AND ELECTRICAL CHARACTERISTICS RATINGS AT 25°C AMBIENT TEMPERATURE UNLESS OTHERWISE SPECIFIED SINGLE PHASE, HALF WAVE, 60 HZ, RESISTIVE OR INDUCTIVE LOAD. FOR CAPACITIVE LOAD, DERATE CURRENT BY 20%

RATINGS	SYMBOL	SC60-005	SC60-01	SC60-02	SC60-04	SC60-06	SC60-08	SC60-10	UNITS
MAXIMUM RECURRENT PEAK REVERSE VOLTAGE	V_{RRM}	50	100	200	400	600	800	1000	V
MAXIMUM RMS VOLTAGE	V_{RMS}	35	70	140	280	420	560	700	V
MAXIMUM DC BLOCKING VOLTAGE	V_{DC}	50	100	200	400	600	800	1000	V
MAXIMUM AVERAGE FORWARD RECTIFIER CURRENT @ TC 100°C	I_O	6.0							A
PEAK FORWARD SURGE CURRENT 8.3m SINGLE HALF SINE-WAVE SUPERIMPOSED ON RATED LOAD JEDEC METHOD	I_{FSM}	400							A
STORAGE TEMPERATURE RANGE	T_{STG}	- 55 TO + 150							°C
OPERATING TEMPERATURE RANGE	T_{OP}	- 55 TO + 150							°C

ELECTRICAL CHARACTERISTICS (@ $T_A = 25^\circ C$ UNLESS OTHERWISE NOTED)

CHARACTERISTICS	SYMBOL	SC60-005	SC60-01	SC60-02	SC60-04	SC60-06	SC60-08	SC60-10	UNITS
MAXIMUM FORWARD VOLTAGE AT SPECIFIED CURRENT SC60 @ IF 6.0A	V_F	0.9							V
MAXIMUM REVERSE LEAKAGE CURRENT AT RATED DC BLOCKING VOLTAGE	I_R	10							μA