

## EPI AC1 Series



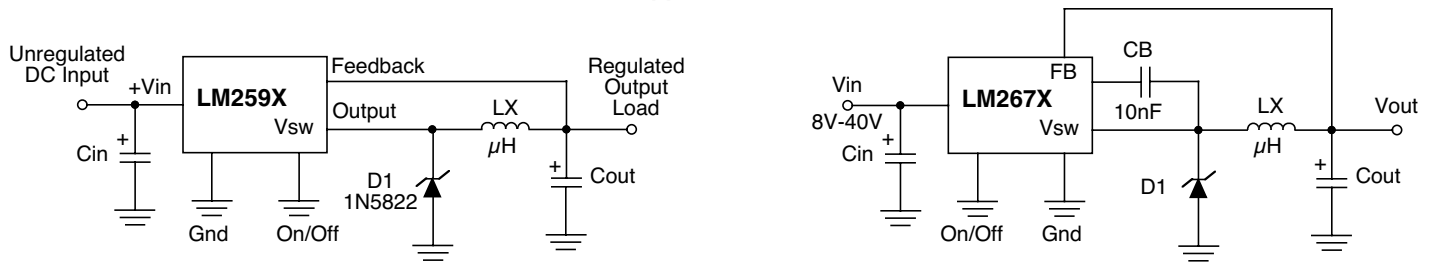
- Optimized for National's LM267X & LM259X Series
- Low loss material ensures operation in high frequency switching converters, such as Buck, Boost or as output averaging filter inductor
- Also suitable for use in high quality filter applications
- 150 KHz & 260 KHz Switching Frequency
- Low Cost Inductor

### Primary Specification

Part Number	National Semiconductor Chip	Induct. ( $\mu\text{H} \pm 15\%$ ) @ 0 Adc	DCR ( $\Omega$ Typ.)	Induct. ( $\mu\text{H} 10\%$ ) @ I <sub>dc</sub>	I <sub>dc</sub> (mA)	Core Loss		Vt1 (V- $\mu\text{Sec}$ ) 150 KHz	Vt2 (V- $\mu\text{Sec}$ ) 260 KHz	Temp.Rise	
						@ Vt1 (mW)	@ Vt2 (mW)			@ Vt1 °C (Typ.)	@ Vt2 °C (Typ.)
EPI100452AC1	LM267X-L45	13.5	0.022	10	4500	---	55	---	7.2	---	45
EPI150352AC1	LM267X-L34	20.0	0.035	15	3500	---	55	---	8.7	---	43
EPI150352AC1	LM259X-L34	20.0	0.035	15	3500	55	---	12.7	---	43	---

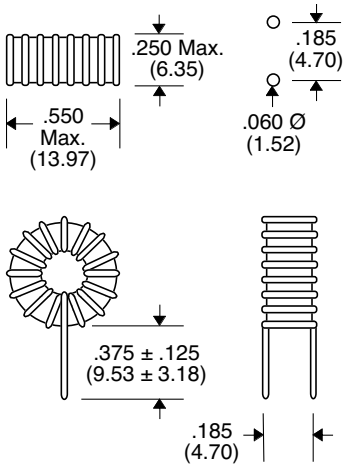
For no header version : add "V" for Vertical Mount and add "H" for Horizontal Mount

### Applications



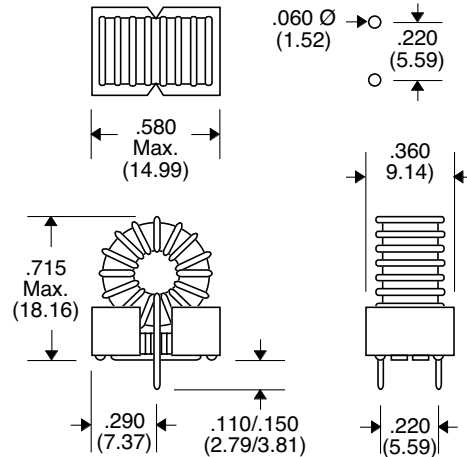
### Package AC1V

Pad Layout



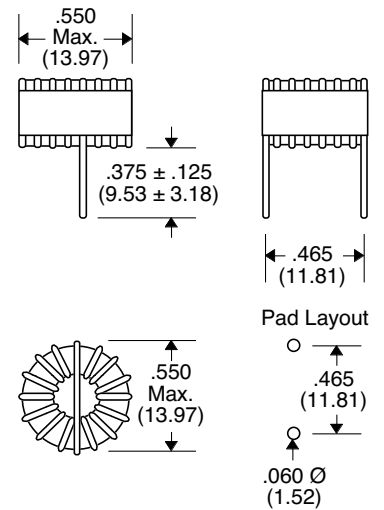
### Package AC1

Pad Layout



### Package AC1H

Pad Layout



Unless Otherwise Specified Dimensions are in Inches /mm  $\pm .010 / .25$