

Description

The STC4130 is a ROHS compatible, integrated, single chip solution for the synchronous clock in SDH and SONET network elements. The device is fully compliant with ITU-T G.812 Type III, G.813, and Telcordia GR1244, and GR253.

The STC4130 accepts 12 reference inputs and generates 8 independent synchronized output clocks. Reference input frequencies are automatically detected, and inputs are individually monitored for quality. Active reference selection may be manual or automatic. All reference switches are hitless. Synchronized outputs may be programmed for a wide variety of SONET and SDH frequencies.

Two independent clock generators provide the standardized T0 and T4 functions. Each clock generator includes a DPLL (Digital Phase-Locked Loop), which may operate in the Freerun, Synchronized, and Hold-over modes. Both clock generators support master/slave operation for redundant applications. Connor-Winfield's proprietary **SyncLink™** Cross-couple data link provides master/slave phase information and state data to ensure seamless side switches.

A standard SPI serial bus interface or parallel bus provide access to the STC4130's comprehensive, yet simple to use internal control and status registers. The device operates with an external OCXO or TCXO as its MCLK at either 10 or 20 MHz.

Features

- For SDH SETS and SSU
- For SONET Stratum 3E, 3, 4E, 4 and SMC
- Complies with ITU-T G.812 Type III , G.813, Telcordia GR1244, and GR253
- Supports Master/Slave operation with the **SyncLink™** cross-couple data link for master/slave redundant applications
- Accepts 12 individual clock reference inputs
- Reference clock inputs are automatically frequency detected
- Supports manual or automatic reference selection
- T0 and T4 have independent reference lists and priority tables for automatic reference selection
- 8 synchronized output clocks
- Output/input phase skew is adjustable in slave mode, in 0.1nS steps up to 200nS
- Hit-less reference and master/slave switching
- Phase rebuild on re-lock and reference switches
- Better than 0.1 ppb holdover accuracy
- Programmable bandwidth, from 90mHz to 107Hz, for both T0 and T4 DPLL
- Supports SPI or parallel bus interface
- IEEE 1149.1 JTAG boundary scan
- Available in TQ100 ROHS package

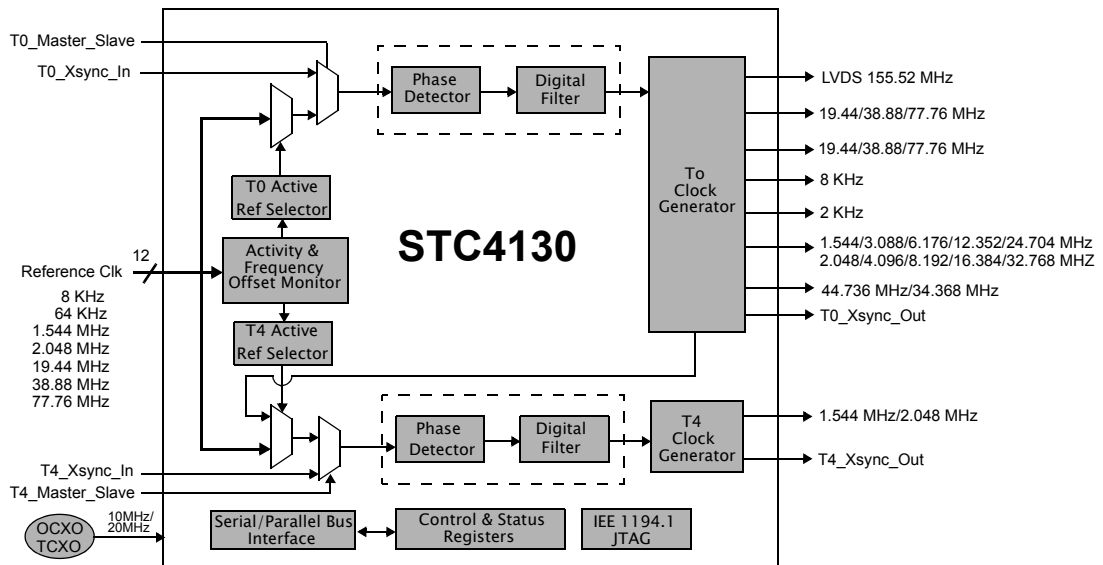
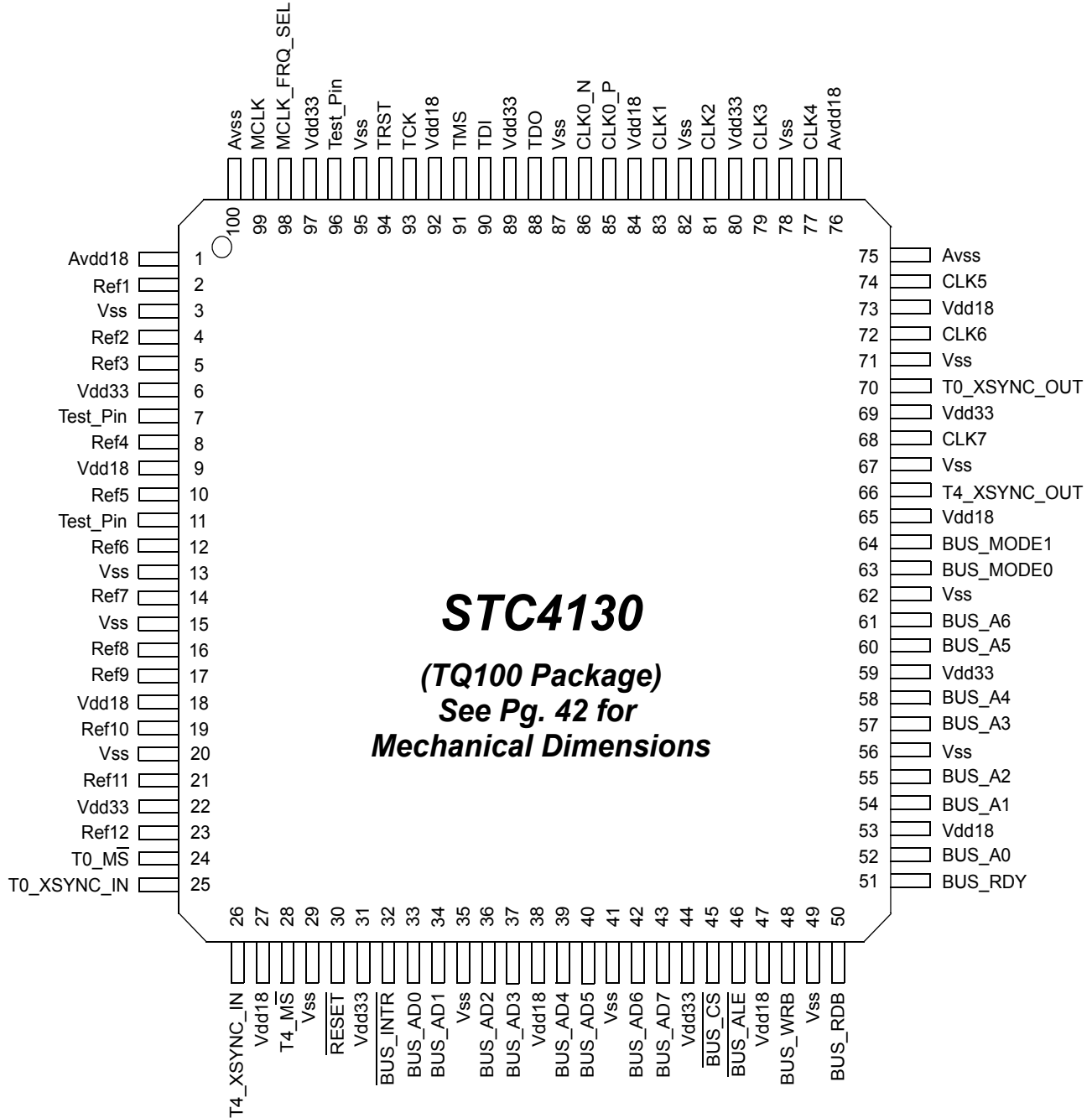


Figure 1: Functional Block Diagram

Table of Contents

Description 1
Features 1
STC4130 Pin Diagram (Top View) 3
STC4130 Pin Description 4
Absolute Maximum Ratings 6
Operating Conditions and Electrical Characteristics 6
Register Map 7
General Description 9
Detailed Description 10
 Chip Master Clock Input 10
 Reference Input Monitoring and Qualification 10
 DPLL Active Reference Selection 11
 Manual Reference Selection Mode 11
 Automatic Reference Selection Mode 11
 Digital Phase Locked Loop General Description 11
 Free Run 12
 Synchronized 12
 Holdover 12
 DPLL Operating Mode Details 12
 Free Run Mode 12
 Holdover Mode 13
 Output Clocks 14
 Master/Slave Operation 15
 Processor Interface Descriptions 17
 SPI Bus Mode 17
 Serial Bus Timing 18
 Motorola Bus 19
 Intel Bus 21
 Multiplex Bus Mode 24
Register Descriptions and Operation 26
 General Register Operation 26
 Multibyte register reads 26
 Multibyte register writes 26
 Clearing bits in the Interrupt Status Register 26
 Default Register Settings 26
Application Notes 40
Mechanical Dimensions 42
Ordering Information 42

STC4130 Pin Diagram (Top View)



Note: Pins labeled "Test Pin" must be grounded.

STC4130 Pin Description

Table 1: Pin Description

Pin Name	Pin #	I/O ¹	Description
Vdd33	6,22,31, 44,59, 69,80, 89,97	I	3.3V power input
Vdd18	9,18,27, 38,47,53, 65,73,84, 92	I	1.8V power input
Vss	3,13,15, 20,29,35, 41,49,56, 62,67,71, 78,82,87, 95		Digital ground
AVdd18	1, 76		1.8V analog power input
Avss	75, 100		Analog ground
TRST	94	I	JTAG reset
TCK	93	I	JTAG clock
TMS	91	I	JTAG mode selection
TDI	90	I	JTAG data input
TDO	88	O	JTAG data output
$\overline{\text{RESET}}$	30	I	Active low to reset the chip
MCLK	99	I	Master clock input, 10 MHz or 20 MHz
MCLK_FRQ_SEL	98	I	Master clock frequency select, 0 = 10 MHz or 1 = 20 MHz
BUS_MODE0	63	I	Bus mode selection, 00: SPI, 01: Motorola, 10: Intel, 11: Multiplex
BUS_MODE1	64	I	Bus mode selection, 00: SPI, 01: Motorola, 10: Intel, 11: Multiplex
$\overline{\text{BUS_CS}}$	45	I	Parallel bus or SPI Chip select
$\overline{\text{BUS_ALE}}$	46	I	Parallel bus address latch or SPI clock input
BUS_WRB	48	I	Parallel bus write or SPI data input
BUS_RDB	50	I	Parallel bus read or read/write input
BUS_RDY	51	O	Parallel bus ready output or SPI data output
BUS_A6	61	I	Bus Address bit 6
BUS_A5	60	I	Bus Address bit 5
BUS_A4	58	I	Bus Address bit 4
BUS_A3	57	I	Bus Address bit 3
BUS_A2	55	I	Bus Address bit 2
BUS_A1	54	I	Bus Address bit 1
BUS_A0	52	I	Bus Address bit 0
BUS_AD7	43	I/O	Parallel bus address/data bit7

Table 1: Pin Description

Pin Name	Pin #	I/O ¹	Description
BUS_AD6	42	I/O	Parallel bus address/data bit6
BUS_AD5	40	I/O	Parallel bus address/data bit5
BUS_AD4	39	I/O	Parallel bus address/data bit4
BUS_AD3	37	I/O	Parallel bus address/data bit3
BUS_AD2	36	I/O	Parallel bus address/data bit2
BUS_AD1	34	I/O	Parallel bus address/data bit1
BUS_AD0	33	I/O	Parallel bus address/data bit0
BUS_INTR	32	O	Interrupt
REF1	2	I	Reference input 1
REF2	4	I	Reference input 2
REF3	5	I	Reference input 3
REF4	8	I	Reference input 4
REF5	10	I	Reference input 5
REF6	12	I	Reference input 6
REF7	14	I	Reference input 7
REF8	16	I	Reference input 8
REF9	17	I	Reference input 9
REF10	19	I	Reference input 10
REF11	21	I	Reference input 11
REF12	23	I	Reference input 12
T0_M \bar{S}	24	I	Select master or slave mode for T0, 1: Master, 0: Slave
T4_M \bar{S}	28	I	Select master or slave mode for T4, 1: Master, 0: Slave
T0_XSYNC_IN	25	I	Cross-couple SyncLink™ data link input for T0 for master/slave redundant applications
T0_XSYNC_OUT	70	O	Cross-couple SyncLink™ data link output for T0 for master/slave redundant applications
T4_XSYNC_IN	26	I	Cross-couple SyncLink™ data link input for T4 for master/slave redundant applications
T4_XSYNC_OUT	66	O	Cross-couple SyncLink™ data link output for T4 for master/slave redundant applications
CLK0_P	85	O	155.52 MHz LVDS output
CLK0_N	86	O	155.52 MHz LVDS output
CLK1	83	O	19.44/38.88/77.76 MHz
CLK2	81	O	19.44/38.88/77.76 MHz
CLK3	79	O	8 KHz frame pulse or 50% duty cycle clock
CLK4	77	O	2 KHz frame pulse or 50% duty cycle clock
CLK5	74	O	44.736/34.368 MHz
CLK6	72	O	1.544/3.088/6.176/12.352/24.704/2.048/4.098/8.192/16.384/32.768 MHz
CLK7	68	O	1.544/2.048 MHz
Test_Pin	7,11,96	I	Test pin, must be grounded for normal operation

Absolute Maximum Ratings

Table 2: Absolute Maximum Ratings

Symbol	Parameter	Min.	Max	Units	Notes
Vdd33	Logic power supply voltage, 3.3V	-0.5	4.5	volts	1
Vdd18	Logic power supply voltage, 1.8V	-0.5	2.5	volts	1
VIN	Logic input voltage, rel. to GND	-0.5	5.5	volts	1
TSTG	Storage Temperature	-65	150	C	1

Note 1: Stresses beyond those listed under “Absolute Maximum Ratings” may cause permanent damage to the device. Exposure to absolute maximum rated conditions for extended periods may affect device reliability. Devices should not be operated outside the Recommended Operating Conditions.

Operating Conditions and Electrical Characteristics

Table 3: Recommended Operating Conditions and Electrical Characteristics

Symbol	Parameter	Min.	Nominal	Max.	Units	Notes
Vdd33	3.3V digital power supply voltage	3.0	3.3	3.6	Volts	
Vdd18	1.8V digital power supply voltage	1.65	1.8	1.95	Volts	
VIH (3.3V)	High level input voltage	2.0		5.5	Volts	2
VIL (3.3V)	Low level input voltage	-0.3		0.8	Volts	2
VOH (3.3V)	High level output voltage (IOH = -12mA)	Vcc - 0.4		Vcc	Volts	2
VOL (3.3V)	Low level output voltage (IOL = 12mA)	0		0.4	Volts	2
CIN	Input capacitance		8		pF	
TRIP	Input reference signal positive pulse width	10			nS	
TRIN	Input reference signal negative pulse width	10			nS	
TA	Operating Ambient Temperature Range	0		70	°C	3
Icc (Vcc)	3.3V digital supply current			80	mA	
Icc (Vcc)	1.8V supply current			240	mA	
Pd	Device power dissipation				W	

Note 2: LVCMOS 3.3 compatible

Note 3: For Industrial Temperature Range (-40° to 85), Use part number STC4130-I

Register Map

Table 4: Register Map

Addr	Reg Name	Bits	Type	Description
0x00	Chip_ID	15-0	R	Chip ID, 0x4130
0x02	Chip_Rev	7-0	R	Chip revision number 0x01
0x03	Chip_Sub_Rev	7-0	R	Chip sub-revision 0x01
0x04	T0_T4_MS_Sts	1-0	R	Indicates master/slave state
0x05	T0_Slave_Phase_Adj	11-0	R/W	Adjust T0 slave phase from 0 ~ 409.5 nS in 0.1 nS steps
0x07	T4_Slave_Phase_Adj	11-0	R/W	Adjust T4 slave phase from 0 ~ 409.5 nS in 0.1 nS steps
0x09	Fill_Rate	3-0	R/W	Leaky bucket fill rate, 1 ~ 16 mS
0x0a	Leak_Rate	3-0	R/W	Leaky bucket leak rate, 1/n th of fill rate, n = 1 ~ 16
0x0b	Bucket_Size	5-0	R/W	Leaky bucket size, 0 ~ 63
0x0c	Assert_Threshold	5-0	R/W	Leaky bucket alarm assert threshold, 0 ~ 63
0x0d	De_Assert_Threshold	5-0	R/W	Leaky bucket alarm de-assert threshold, 0 ~ 63
0x0e	Freerun_Cal	10-0	R/W	Freerun calibration of the TCXO, - 102.4 ~ + 102.3 ppm
0x10	Disqualification_Range	9-0	R/W	Reference disqualification range, 0 ~ 102.3 ppm
0x12	Qualification_Range	9-0	R/W	Reference qualification range, 0 ~ 102.3 ppm
0x14	Qualification_Timer	5-0	R/W	Reference qualification timer, 0 ~ 63 S
0x15	Ref_Selector	3-0	R/W	Determines which reference data is shown in register 0x16
0x16	Ref_Frq_Offset	14-0	R	Reference frequency and frequency offset are shown in bits 14-12 and 11-0
0x18	Refs_Activity	13-0	R	Reference and cross reference activity
0x1a	Refs_Qual	11-0	R	Reference 1 ~ 12 qualification
0x1c	T0_Control_Mode	5-0	R/W	OOP -Follow/Don't Follow, Manual/Auto, Revertive, HO_Usage, PhaseAlignMode
0x1d	T0_Bandwidth	4-0	R/W	Bandwidth selection
0x1e	T0_Auto_Active_Ref	3-0	R	Indicates automatically selected reference
0x1f	T0_Manual_Active_Ref	3-0	R/W	Selects the active reference in manual mode
0x20	Reserved	31-0	R	Reserved
0x24	T0_Long_Term_Accu_History	31-0	R	Long term Accumulated History for T0 relative to the TCXO
0x28	T0_Short_Term_Accu_History	31-0	R	Short term Accumulated History for T0 relative to the TCXO
0x2c	T0_User_Accu_History	31-0	R/W	User Holdover data for T0 relative to the TCXO
0x30	T0_HO_BW_Ramp	7-0	R/W	Bits7-4, Long term history accumulation bandwidth: 9.7, 4.9, 2.4, 1.2, 0.61, 0.03 mHz Bits3-2, Short term history accumulation bandwidth: 2.5, 1.24, 0.62, 0.31 mHz Bit21:0, Ramp control: none, 1, 1.5, 2 ppm/S
0x31	T0_Priority_Table	47-0	R/W	REF1-12 selection priority for automatic mode, 4 bits/reference
0x37	T0_PLL_Status	7-0	R	LTH Avail, LTH Complete, OOP, LOL, LOS, Sync
0x38	T0_Accu_Flush	0-0	W	0: Flush current history, 1: Flush all histories
0x39	T4_Control_Mode	5-0	R/W	OOP -Follow/Don't Follow, Manual/Auto, Revertive, HO_Usage, PhaseAlignMode
0x3a	T4_Bandwidth	4-0	R/W	Bandwidth selection
0x3b	T4_Auto_Active_Ref	3-0	R	Indicates automatically selected reference
0x3c	T4_Manual_Active_Ref	3-0	R/W	Selects the active reference in manual mode
0x3d	Reserved	31-0	R	Reserved
0x41	T4_Long_Term_Accu_History	31-0	R	Long term Accumulated History for T4 relative to the TCXO

Table 4: Register Map

Addr	Reg Name	Bits	Type	Description
0x45	T4_Short_Term_Accu_History	31-0	R	Short term Accumulated History for T4 relative to the TCXO
0x49	T4_User_Accu_History	31-0	R/W	User Holdover data for T4 relative to the TCXO
0x4d	T4_HO_BW_Ramp	7-0	R/W	Bits7-4, Long term history accumulation bandwidth: 9.7, 4.9, 2.4, 1.2, 0.61, 0.03 mHz Bits3-2, Short term history accumulation bandwidth: 2.5, 1.24, 0.62, 0.31 mHz Bit21:0, Ramp control: none, 1, 1.5, 2 ppm/S
0x4e	T4_Priority_Table	47-0	R/W	REF1-12 selection priority for automatic mode, 4 bits/reference
0x54	T4_PLL_Status	7-0	R	LTH Avail, LTH Complete, OOP, LOL, LOS, Sync
0x55	T4_Accu_Flush	0-0	W	0: Flush current history, 1: Flush all histories
0x56	CLK0_Sel	0-0	R/W	155.52 MHz clock enable/disable for CLK0
0x57	CLK1_Sel	1-0	R/W	19.44MHz/38.88MHz/77.76MHz or disable select for CLK1
0x58	CLK2_Sel	1-0	R/W	19.44MHz/38.88MHz/77.76MHz or disable select for CLK2
0x59	CLK3_Sel	5-0	R/W	8KHz output 50% duty cycle or pulse width selection for CLK3
0x5a	CLK4_Sel	5-0	R/W	2KHz output 50% duty cycle or pulse width selection for CLK4
0x5b	CLK5_Sel	1-0	R/W	DS3/E3 select for CLK5
0x5c	CLK6_Sel	3-0	R/W	DS1 x n / E1 x n selector for CLK6
0x5d	CLK7_Sel	1-0	R/W	Ds1/E1 selector for CLK7
0x5e	Intr_Event	9-0	R/W	Interrupt event
0x60	Intr_Enable	9-0	R/W	Interrupt enable

General Description

The STC4130 is an integrated single chip solution for the synchronous clock in SDH and SONET network elements. It's highly integrated design implements all of the necessary reference selection, monitoring, digital filtering, synthesis, and control functions. An external OCXO or TCXO at either 10 or 20 MHz completes a system level solution (see Functional Block Diagram, Figure 1).

The STC4130 includes two independent DPLLs (Digital Phase-Locked Loop) implementing the timing functions of T0 and T4. Each may select one of 12 reference inputs as its active reference. T0 provides 7 of the chip's 8 clock outputs while T4 provides one clock output. Both T0 and T4 provide a cross reference output for master/slave applications.

Reference frequencies are autodected and may each be 8KHz, 64KHz, 1.544MHz, 2.048MHz, 19.44MHz, 38.88MHz, or 77.76MHz. Each reference input is continuously monitored for activity and frequency offset. Activity monitoring is implemented with a leaky bucket accumulator with programmable fill and leak rates. Frequency offset is determined relative to the digitally calibrated external OCXO/TCXO. A reference is designated as "qualified" if it is active and its frequency is within the programmed frequency offset range for a pre-programmed time.

Active references may be selected manually or automatically, individually selectable for T0 and T4. In manual mode, the active reference is selected under application control, independant of it's qualification status.

In automatic mode, the active reference is selected according to revertivity status, and each reference's priority and qualification. Reference priorities are individually programmable. T0 and T4 each have their own priority tables. While a current active reference is qualified, revertivity determines whether a higher priority qualified reference should be selected as the new active reference. If revertivity is enabled, the highest priority qualified reference will always be selected as the active reference. If revertivity is not enabled, a new or returning qualified reference of higher priority will not be selected until the current active reference is disqualified.

The two independent clock generators, T0 and T4,

each include a DPLL, which may operate in the Freerun, Synchronized, and Holdover modes. Both clock generators support master/slave operation for redundant applications. T0 generates Connor-Winfield's proprietary **SyncLink™** Cross-couple data link, which provides master/slave phase information and state data to ensure seamless side switches. T4 provides an 8KHz cross-couple signal. The slave output clock phase is user adjustable.

The T0 and T4 clock generators may each be in freerun, synchronized, or holdover modes. In freerun, the clock outputs are simply determined by the accuracy of the digitally calibrated OCXO/TCXO. In synchronized mode, the chip phase locks to the selected input reference. Phase lock may be selected as arbitrary or zero phase offset between the reference and clock outputs. All reference switches are performed in a hitless manner, and frequency ramp controls ensure smooth output signal transitions. When references are switched, the device will minimize phase transitions in the output clocks. While synchronized, a frequency history is accumulated. In hold-over mode, the chip outputs are synthesized according to this or a user supplied history.

The Digital Phase Locked Loop which provides the critical filtering and frequency/phase control functions is implemented with Connor-Winfield's NOVA Kernel - a set of well-proven algorithms and control that meet or exceed all requirements and lead the industry in critical jitter and accuracy performance parameters. Filter bandwidth may be user configured.

The device generates 8 independent synchronized output clocks. The first is at 155.52MHZ. The second and third clocks may be programmed at 19.44/38.88/77.76MHZ. The fourth and fifth are at 8kHz and 2kHz. The sixth is programmable at 1, 2, 4, 8, or 16 x T1 or E1. The seventh is programmable at either DS3 or E3. The eighth is programmable at either T1 or E1.

Control functions are provided either via a standard SPI serial bus interface or 8-bit parallel bus register interfaces. These provide access to the STC4130's comprehensive, yet simple to use internal control and status registers. Parallel bus operation is supported in the Motorola mode, Intel mode, or Multiplex bus mode.

Detailed Description

Chip Master Clock Input

The device operates with an external OCXO or TCXO as its master clock, connected to the **MCLK** input, pin 99. This may be at either 10 MHz or 20 MHz, **MCLK_FRQ_SEL** pin 98 = 0 for 10 MHz, 1 for 20 MHz.

The external TCXO or OCXO may be calibrated, (thus calibrating the freerun output frequency of the chip) by writing an offset to the **Freerun_Cal** register, (0x0e/0f), from -102.4 to +102.3 ppm, in .1ppm steps, in two's complement form. (See **Register Descriptions** section for details regarding register references in this section.)

Reference Input Monitoring and Qualification

The STC4130 accepts 12 external reference inputs at 8kHz, 64kHz, 1.544MHz, 2.048MHz, 19.44MHz, 38.88MHz, or 77.76MHz. Input frequencies are detected automatically. The autodetected frequency of any reference may be read by selecting the reference in the **Ref_Selector** register (0x15) and then reading the frequency from bits 4 - 6 of register **Ref_Frq_Offset** (0x17).

Each input is monitored and qualified for activity and frequency offset. Activity monitoring is accomplished with a leaky bucket accumulation algorithm, as shown in figure 2. The "leaky bucket" accumulator has a fill rate window that may be set from 1 to 16 ms, where any hit of signal abnormality (or multiple hits) during the window increments the bucket count by one. The leak rate is $1/n^{\text{th}}$ of the fill rate, where n may be set from 1 to 16, corresponding to a leak rate window n x the fill rate window size. The leaky bucket accumulator decrements by one for each leak rate window that passes with no signal abnormality. Both windows operate in a consecutive, non-overlapping manner. The bucket accumulator has alarm assert and alarm de-assert thresholds that can each be programmed from 0 to 63.

The fill rate is written to the **Fill_Rate** register, 0x09, and the leak rate is written to register **Leak_Rate**, 0x0a. The bucket size is written to register **Bucket_Size** (0x0b). The alarm assert threshold is written to register **Assert_Threshold** (0x0c), and the

de-assert threshold is written to register **De_Assert_Threshold** (0x0d).

Bucket size must be greater than or equal to the alarm assert threshold value, and the alarm assert threshold value must be greater than the alarm de-assert value.

Alarms appear in the **Refs_Activity** register (0x18/19). A "1" indicates activity, and a "0" indicates an alarm, no activity. Note that if a reference is active and returns at a different autodetected frequency, it will become inactive immediately.

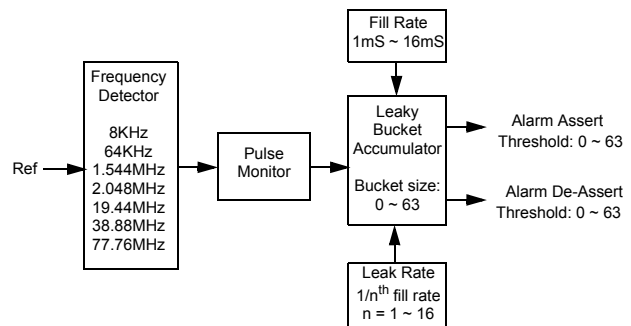


Figure 2: Activity Monitor

Reference inputs are also monitored and qualified for frequency offset.

A PLL qualification range may be programmed up to +/-102.3 ppm by writing to register **Qualification_Range** (0x12/13), and a disqualification range set up to +/-102.3 ppm, by writing to register **Disqualification_Range** (0x10/11). The qualification range must be set less than the disqualification range. Additionally, a qualification timer may be programmed from 0 to 63 seconds by writing to register **Qualification_Timer** (0x14). The PLL pull-in range is the same as the disqualification range.

The actual frequency offset (relative to the calibrated OCXO/TCXO) of any reference may be read by selecting the reference in the **Ref_Selector** register (0x15) and then reading the offset value in bits 7 - 0/3 - 0 of register **Ref_Frq_Offset** (0x16/17).

Figure 3 shows the reference qualification scheme. A reference is qualified if it has no activity alarm and is within the qualification range for more than the qualification time. An activity alarm or frequency offset

beyond the disqualification range will disqualify the reference. It may then be re-qualified and the activity alarm is de-asserted, if it is within the qualification range for more than the qualification time.

The reference qualification status of each reference may then be read from register **Refs_Qual** (0x1a/1b).

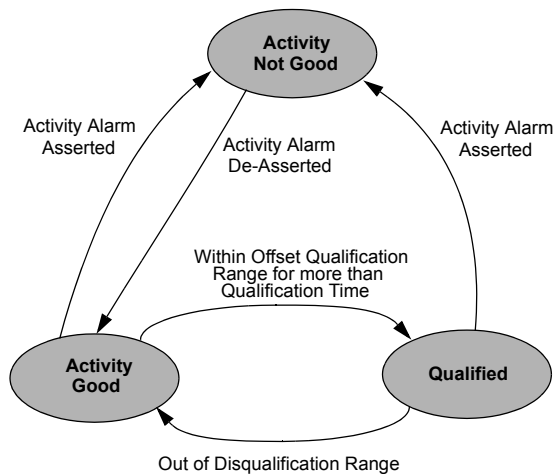


Figure 3: Reference Qualification and Disqualification

DPLL Active Reference Selection

The T0 and T4 clock generators may be individually operated in either manual or automatic input reference selection mode. The mode is selected via the **T0(4)_Control_Mode** registers.

Manual Reference Selection Mode

In manual reference selection mode, the user may select the reference. Manual reference selection mode is selected by setting bit 4 of the **T0_Control_Mode** (0x1c) or **T4_Control_Mode** (0x39) register (for T0 or T4, respectively) to 0. The reference is selected by writing to bits 0 - 3 of the **T0_Manual_Active_Ref** (0x1f) and **T4_Manual_Active_Ref** (0x3c) registers.

Automatic Reference Selection Mode

In automatic reference selection mode, the device will select one pre-qualified reference as the active reference. Automatic reference selection mode is set

by writing bit 4 of the **T0_Control_Mode** (0x1c) or **T4_Control_Mode** (0x39) register (for T0 or T4, respectively) to 1.

The reference is picked according to its indicated priority in the reference priority table, Registers **T0_Priority_Table** (0x31~0x36) or **T4_Priority_Table** (0x4e ~ 0x0x53). Each reference has one entry in the table, which may be set to a value from 0 to 15. '0' masks-out the reference, while 1 to 15 set the priority, where '1' has the highest, and '15' has the lowest priority. The highest priority pre-qualified reference is chosen as the active reference.

The automatically selected reference for each DPLL may be read from registers **T0_Auto_Active_Ref** (0x1e) and **T4_Auto_Active_Ref** (0x3b).

The pre-qualification scheme is described in the **Reference Inputs Monitoring and Qualification** section. When a selected active reference is disqualified, the highest priority qualified remaining reference is chosen. If multiple references share the same priority, they are ordered according to the duration of their qualification. The longer the duration, the higher the priority is set.

When a reference is disqualified, and subsequently re-qualified as the highest priority candidate, it may or may not be re-selected as the active reference. This is determined by either enabling or disabling "reversion" by writing bit 3 of the **T0_Control_Mode** (0x1c) or **T4_Control_Mode** (0x39) register (for T0 or T4, respectively) to "1" for revertive or to "0" for non-revertive operation.

If reversion is enabled, a qualified/re-qualified reference will be selected as the new active reference, if it is the highest priority qualified reference at that time. If reversion is disabled, the active reference will not be pre-empted by a higher priority reference until it is disqualified.

Digital Phase Locked Loop General Description

The STC4130 includes both a T0 and T4 clock generator. Each clock generator has a DPLL, including a phase detector and a digital filter.

Each DPLL may select any of the 12 input reference clocks in master mode. In slave mode, they will

select the **(T0/T4)_XSYNC_IN** cross-couple **Syn-cLink™** data link(s) as the source of phase information.

In master mode, the T0 and T4 clock generators may each operate in the Freerun, Synchronized, or Hold-over modes:

1. Free Run

In freerun mode, the **CLK(0-7)** clock outputs are determined directly from and have the accuracy of the digitally calibrated free running OCXO/TCXO. Reference inputs continue to be monitored for signal presence and frequency offset, but are not used to synchronize the outputs.

2. Synchronized

The **CLK(0-7)** clock outputs are phase locked to and track the selected input reference. Upon entering the Locking mode, the device begins an acquisition process that includes reference qualification and frequency slew rate limiting, if needed. Once satisfactory lock is achieved, the "Locked" state is entered, and the "SYNC" bit is set in the **T(0/4)_DPLL_Status** register.

Each DPLL's loop bandwidth may be set independently. Loop bandwidth is selectable from 90mHz to 107Hz, by writing to the **T0/4_Bandwidth** registers (0x1d/0x3a).

3. Holdover

Upon entering holdover mode, the **CLK(0-7)** clock outputs are determined from the holdover history established for the last selected reference, or from a user supplied holdover history. Output frequency is determined by a weighted average of the holdover history, and accuracy is determined by the OCXO/TCXO. Holdover mode may be entered manually or automatically. Automatic entry into holdover mode occurs when operating in the automatic mode, the reference is lost, and no other valid reference exists. The transfer into and out of holdover mode is designed to be smooth and free of hits.

Figure 4 shows the phase lock loop states and transitions for operation with automatic reference selection in Master mode.

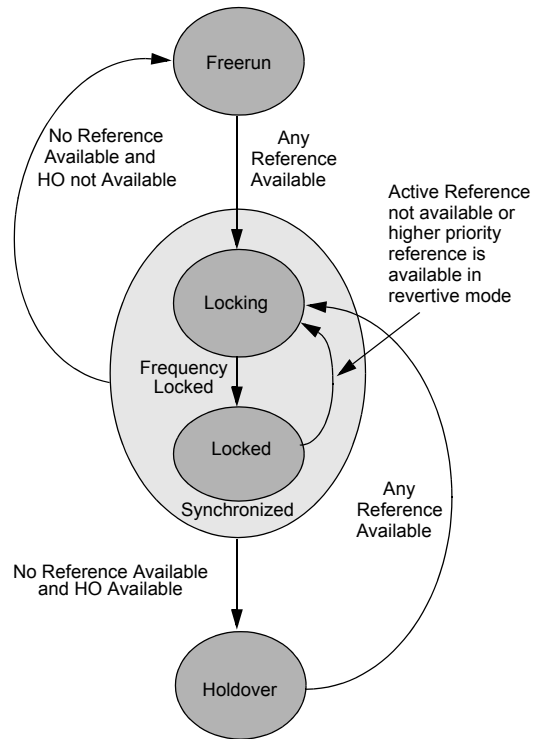


Figure 4: Device phase lock operational mode transition in Automatic Reference Selection/Master Mode

DPLL Operating Mode Details

The T0 and T4 clock generators may operate in the Freerun, Synchronized, or Holdover modes, including some variants thereof:

Freerun Mode

The **CLK(0-7)** clock outputs are synthesized using the free running OCXO/TCXO, calibrated with the freerun frequency offset. The calibration offset may be programmed by the application by writing to the **Freerun_Cal** register, (0x0e/0f). The calibration offset may be programmed from -102.4 to +102.3 ppm, in .1ppm steps, in two's complement form.

The Freerun mode may be entered automatically, when in the Automatic Reference Selection mode (as shown in figure 4), or manually, by writing to the **T(0/4)_Manual_Active_Ref** registers.

Synchronized Mode

The Synchronized mode may be entered automatically, when in the Automatic Reference Selection mode (as shown in figure 4), or manually, by writing to the **T(0/4)_Manual_Active_Ref** registers (0x1f/0x3c), selecting a reference as well as the operating mode.

Each DPLL's loop bandwidth may be set independently. Loop bandwidth is selectable from 90mHz to 107Hz by writing to the **T(0/4)_Bandwidth** registers (0x1d/0x3a).

In the "Synchronized" mode, bit 0 of the **T(0/4)_Control_Mode** registers (0x1c, 0x39) determines the output clock to input reference phase alignment mode. In "Arbitrary" mode, the clock output phase relationship relative to the reference input phase is according to the initial start-up phase. In "Phase Align" mode, the output clocks are phase aligned to the selected reference. (It should be noted that output-to-reference phase alignment is meaningful only in those cases where the output frequency and reference are the same or related by a factor of 2^n .)

When locked on an external reference, two holdover histories are built, for use in Holdover mode:

- 1) **Long-Term History** – This is a long-term averaged frequency of the selected external reference, accumulated according to a single-pole low pass filtering algorithm. The -3dB point of the algorithm may be application programmed for 9.7, 4.9, 2.4, 1.2, 0.61, or 0.30 mHz, by writing to the **T(0/4)_HO_Ramp** registers (0x30/0x4d). Internally, an express mode is used initially to apply a lower time-constant to speed up the history accumulation process. When a long term history has been built, it is indicated as available by the LHA bit 7 of the **T(0/4)_DPLL_Status** registers (0x37/0x54). Additionally, the application may flush/rebuild this long-term history, by writing to the **T(0/4)_Accu_Flush** registers (0x38, 0x55). The long-term history is used when operating in Holdover Mode, and may be read from the **T(0/4)_Long_Term_Accu_History** registers (0x24-0x27/0x41-0x44).
- 2) **Short-Term History** – The short term history may be programmed for a -3dB point of 2.5,

1.24, 0.62, or 0.31 mHz by writing to the **T(0/4)_HO_Ramp** registers (0x30/0x4d). The short-term history is used, in the event of a reference loss in manual reference selection mode, and may be read from the **T(0/4)_Short_Term_Accu_History** registers (0x28-0x2b/0x45-0x48)

In manual mode selection, there are two special cases of the Synchronized mode:

- a) **"Zombie" Mode** – If the selected active reference signal is lost, the DPLL output is generated according to a short-term history.
- b) **Out of Pull-in Range Mode** - If the selected reference exceeds the pull-in range as programmed by the application, the DPLL output may be programmed to stay at the pull-in range limit, or to follow the reference. This is programmed by writing to bit 5 of the **T(0/4)_Control_Mode** registers (0x1c/0x39), specifying whether to follow or not follow a reference that has exceeded the pull-in range.

Additionally, when a device is operated as a slave in a master/slave pair (by tying the **T(0/4)_M/S** pin low), the device locks and phase align on the cross-coupled **SyncLink™** data link signal on the **(T0/T4)_XSYNC_IN** input.

When the device has locked on a reference, the "SYNC" bit 0 is set in the **T(0/4)_DPLL_Status** register (0x37/0x54). If synchronization is lost, the "LOL" bit 2 is set in the **T(0/4)_DPLL_Status** register.

Holdover Mode

The application may select either of two sources of frequency offset in Holdover mode, as determined by writing bit 2 of the **T(0/4)_Control_Mode** registers (0x1c/0x39):

- a) **Device Accumulated History Holdover Mode** – uses the long-term history accumulated by the device to synthesize the DPLL output. This is analogous to the Freerun mode, except that the Holdover algorithms effectively supply the "frequency offset" from the holdover history.
- b) **User Supplied History Mode** – The DPLL output is synthesized according to an application supplied frequency offset, as provided in the **T(0/4)_User_Accu_History** registers (0x2c/0x49). To facilitate the user's accumulation of a holdover history, the user may read the short term history of the active reference from the **T(0/4)_Shor_Term_Accu_History** registers (0x28-0x2b/

0x45-0x48).

On either transition, from Synchronized to Holdover, or back from Holdover to Synchronized, an application programmable maximum slew rate of 1, 1.5, or 2 ppm/second (or no slew rate limit) is applied, as written to the **T(0/4)_HO_Ramp** registers (0x30/ 0x4d).

Output Clocks

The clock output section includes 4 clock generations, an APLL, and four dividers, and generates nine synchronized clocks, as shown in figure 5.

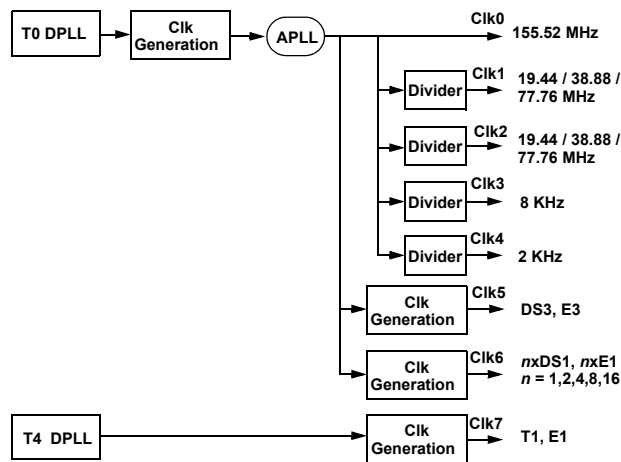


Figure 5: Output Clocks

The first synthesizer drives an analog PLL and generates five output clocks. It is driven from the T0 DPLL:

- **CLK0**: 155.52 MHz (LVPECL), enabled/disabled by writing the **CLK0_Sel** register (0x56), bit 0.
- **CLK1**: Programmable at 19.44MHz, 38.88MHz, 77.76 MHz, and “disabled”, by writing to the **CLK1_Sel** register (0x57), bits 0 - 1.
- **CLK2**: Programmable at 19.44MHz, 38.88MHz, 77.76 MHz, and “disabled”, by writing to the **CLK2_Sel** register (0x58), bits 0 - 1.
- **CLK3**: 8kHz, 50% duty cycle or programmable pulse width, and may be disabled by writing to the **CLK3_Sel** register (0x59), bits 0 - 5.
- **CLK4**: 2kHz, 50% duty cycle or programmable

ble pulse width, and may be disabled by writing to the **CLK4_Sel** register (0x5a), bits 0 - 5.

Two synthesizers generate additional clocks from the T0 clock generator:

- **CLK5**: Either DS3 or E3 rate, or “disabled”, programmed by writing to the **CLK5_Sel** register (0x5b), bits 0 - 1.
- **CLK6**: Programmable at nxDS1 or nxE1 where n=1,2,4,8,16, or may be disabled, by writing to the **CLK6_Sel** register (0x5c), bits 0 - 3.

One synthesizer is driven by the T4 clock generator:

- **CLK7**: Either DS1 or E1 rate, or “disabled”, programmed by writing to the **CLK7_Sel** register (0x5d), bits 0 - 1.

When a clock output is disabled, the pin is tri-stated. In addition, the **T0_Xsync_OUT** and **T4_Xsync_OUT** outputs provide phase information and state data for master/slave operation of the T0 and T4 clock generators.

Note that the **CLK1, 2, 5** and **6** are phase aligned with the **CLK3** (8KHz) as shown in Figure 7. **CLK3** is phase aligned with **CLK4** (2KHz).

Master/Slave Configuration

Pairs of STC4130 devices may be operated in a master/slave configuration for added reliability, as shown in Figure 6.

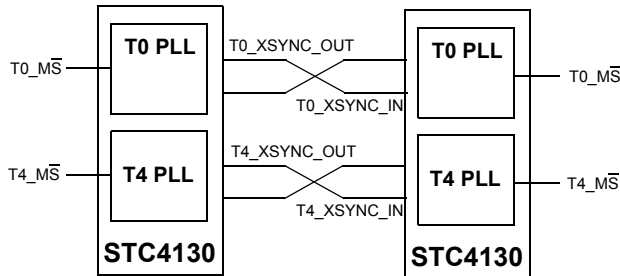


Figure 6: Master/Slave Configuration

Devices are configured for master/slave operation by cross-connecting their respective **T(0/4)_Xsync_Out** and/or **T(0/4)_Xsync_In** pins. The **T(0/4)_MS** pins determine the master or slave mode for each clock generator. 1=Master, 0=Slave. Thus, master/slave state is always manually controlled by the application. The master synchronizes to the selected input reference, while the slave synchronizes and phase-aligns according to data received over the **T(0/4)_Xsync_Out / T(0/4)_Xsync_In** data link from the unit in master mode.

The T0 and T4 PLL's may be operated completely independent of each other – either or both may be cross-connected as master/slave pairs across two STC4130 devices, and master/slave states may be set the same or opposite within a given device.

In slave mode, the operational mode is “Synchronized” and the **T(0/4)_Xsync_Out** data links provide phase and state information. Bits 0 and 1 of the **T0_T4_MS_Sts** register reflect the states of the **T(0/4)_MS** pins.

Master/Slave Operation

Perfect phase alignment of the **Clk(x)** output clocks (between the clock generators in two devices) would require no delay on the cross-couple data link connection. To accommodate path length delays, the STC4130 provides a programmable phase skew feature. See figures 7 and 8. The slave's **Clk(x)** outputs

may be phase shifted from 0 to +409.5nS, in 100pS increments according to the contents of the **T(0/4)_Slave_Phase_Adj** (0x05/06, 0x07/08) registers to compensate for the path length of the **T(0/4)_Xsync_Out** to **T(0/4)_Xsync_In** connections. This offset may therefore be programmed to exactly compensate for the actual path length delay associated with the particular application's cross-couple traces. Thus, master/slave switches with the STC4130 devices may be accomplished with near-zero phase hits.

The first time a clock generator becomes a slave, such as immediately after power-up, its output clock phase starts out arbitrary, and will quickly phase-align to the master unit. The phase skew will be eliminated (or converged to the programmed phase offset) step by step. The whole pull-in-and-lock process will complete in about 16 seconds. There is no frequency slew protection in slave mode. In slave mode, the unit's mission is to lock to and follow the master.

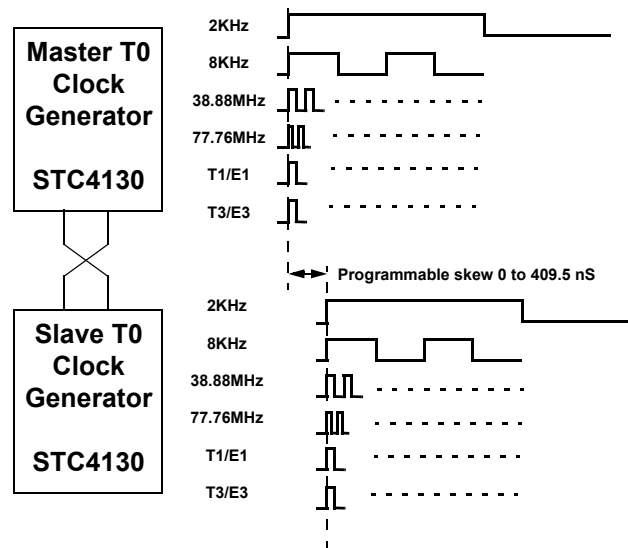


Figure 7: T0 CLK1-6 Phase Alignment and Master/Slave skew Control

Note the phase alignment of all clock outputs from the T0 clock generator with the 2KHz output.

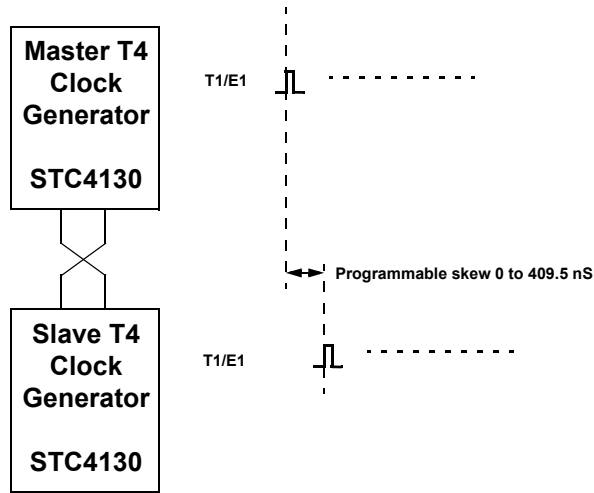


Figure 8: T4 **CLK7** Master/Slave Skew Control

Once a pair of clock generators has been operating in aligned master/slave mode, and a master/slave switch occurs, the clock generator that becomes master will maintain its output clock phase and frequency while a phase rebuild (to the current output clock phase) is performed on its selected reference input. Therefore, as master mode operation commences, there will be no phase or frequency hits on the clock output. Assuming the phase offset is programmed for the actual propagation delay of this cross-couple path, there will again be no phase hits on the output clock of the clock generator that has transitioned from master to slave. The data link will also provide state information that will allow the new master to lock on the same reference as the old master.

Processor Interface Descriptions

The STC4130 supports four common microprocessor control interfaces: SPI, Motorola, Intel, and multiplex parallel. The control interface mode is selected with the **Bus_Mode(0/1)** pins:

Bus_Mode1, Bus_Mode0	Bus Mode
00	SPI
01	Motorola
10	Intel
11	Multiplex parallel

The following sections describe each bus mode’s interface timing:

SPI Bus Mode

The SPI interface bus mode uses the **BUS_CS**, **BUS_ALE**, **BUS_WRB**, and **BUS_RDY** pins, corresponding to CS, SCLK, SDI, and SDO respectively, with timing as shown in figures 9 and 10:

Serial Bus Timing

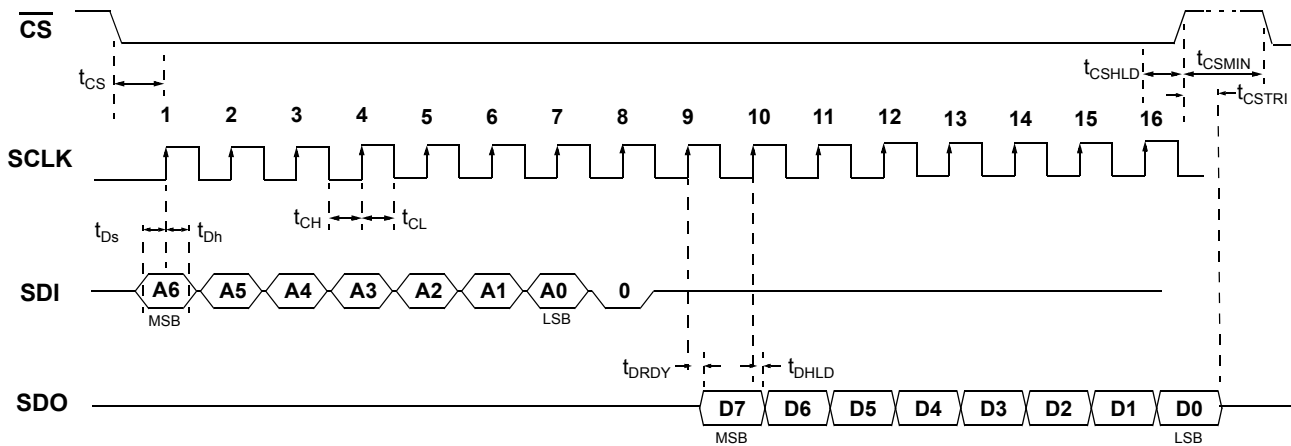


Figure 9: Serial Bus Timing, Read access

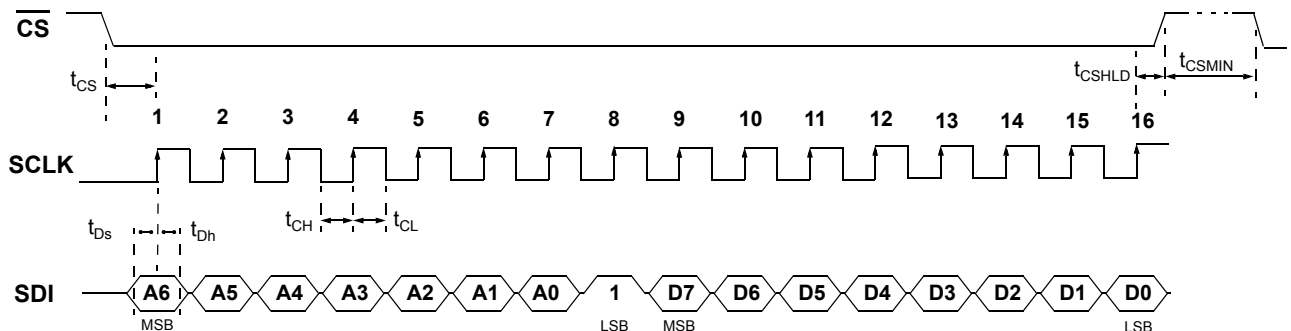


Figure 10: Serial Bus Timing, Write access

Table 5: Serial Bus Timing

Symbol	Description	Min	Max	Unit
t_{CS}	\overline{CS} low to SCLK high	10		nS
t_{CH}	SCLK high time	25		nS
t_{CL}	SCLK low time	25		nS
t_{Ds}	Data setup time	10		nS
t_{Dh}	Data hold time	10		nS
t_{DRDY}	Data ready		7	nS
t_{DHLd}	Data hold	5		nS
t_{CSHLd}	Chip select hold	30		nS
t_{CSTRi}	Chip select to data tri-state		5	nS
t_{CSMIN}	Minimum delay between successive accesses	50		nS

Motorola Bus

In Motorola mode, the device will interface to 680xx type processors. The BUS_CS, BUS_RDB, BUS_A(6-0), BUS_AD(7-0), and BUS_RDY pins are used, corresponding to CS, R/W, A, AD, and RDY, respectively. Timing is as follows:

Motorola Bus Timing

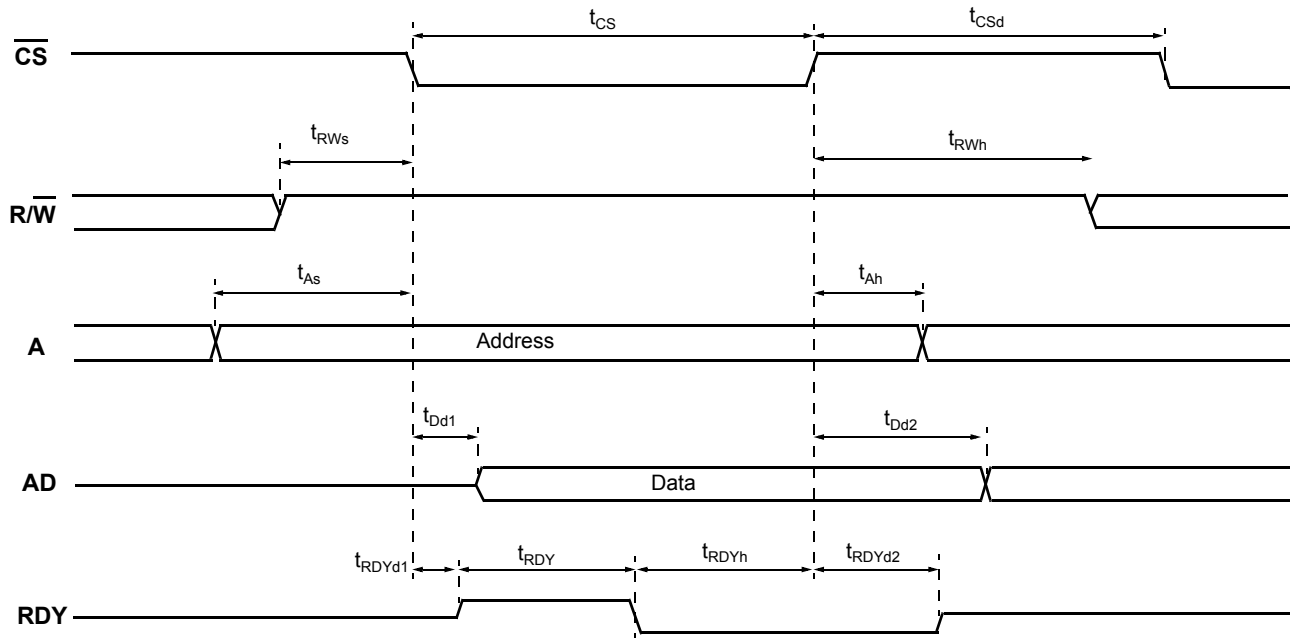


Figure 11: Motorola Bus Read Timing

Table 6: Motorola Bus Read Timing

Symbol	Description	Min	Max	Unit
t_{CS}	\overline{CS} low time	50		nS
t_{CSd}	\overline{CS} minimum high time between reads/writes	50		nS
t_{RWs}	Read/write setup time	0		nS
t_{RWh}	Read/write hold time	0		nS
t_{As}	Address setup	10		nS
t_{Ah}	Address hold	0		nS
t_{Dd1}	Data valid delay from \overline{CS} low		50	nS
t_{Dd2}	Data high-z delay from \overline{CS} low		10	nS
t_{RDYd1}	\overline{CS} low to RDY high delay		13	nS
t_{RDY}	RDY high time	37	50	nS
t_{RDYh}	\overline{CS} hold after RDY low	0		nS

Symbol	Description	Min	Max	Unit
t_{RDY2}	RDY high-z delay after \overline{CS} high		9	nS

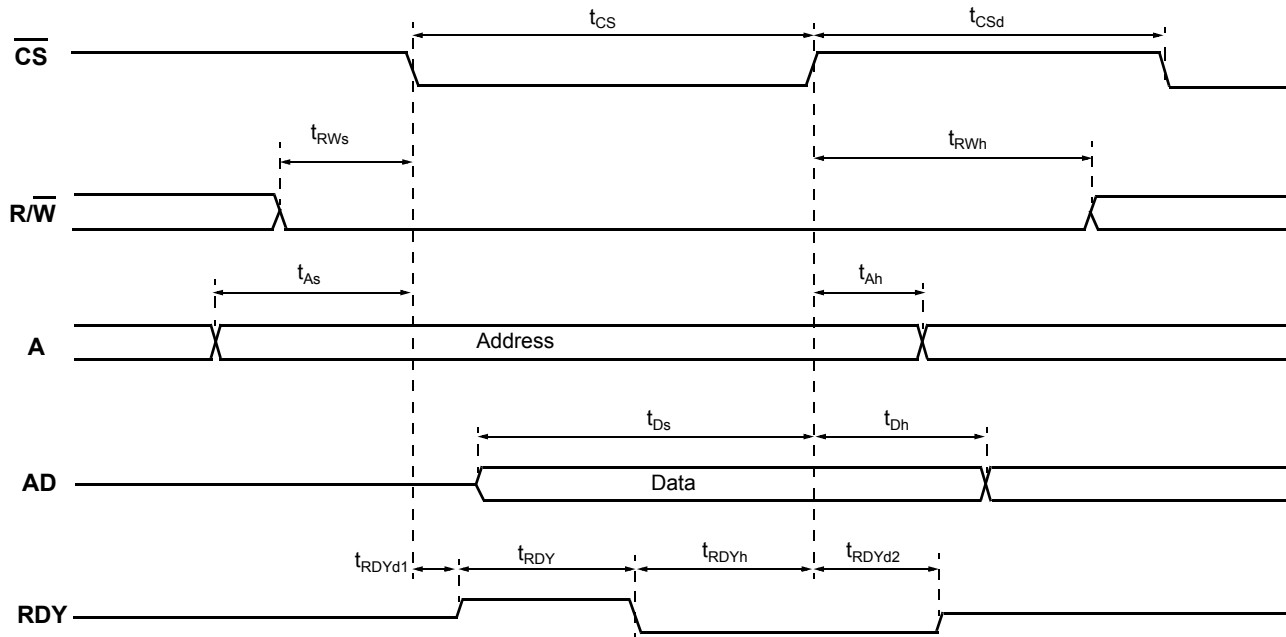


Figure 12: Motorola Bus Write timing

Table 7: Motorola Bus Read Timing

Symbol	Description	Min	Max	Unit
t_{CS}	\overline{CS} low time	50		nS
t_{CSd}	\overline{CS} minimum high time between writes/reads	50		nS
t_{RWS}	Read/write setup time	0		nS
t_{RWH}	Read/write hold time	0		nS
t_{AS}	Address setup	10		nS
t_{AH}	Address hold	0		nS
t_{DS}	Data setup time before \overline{CS} high	10		nS
t_{DH}	Data hold time after \overline{CS} high	10		nS
t_{RDYd1}	\overline{CS} low to RDY high delay		13	nS
t_{RDY}	RDY high time	37		nS
t_{RDYh}	\overline{CS} hold after RDY low	0		nS

Symbol	Description	Min	Max	Unit
t_{RDYd2}	RDY high-z delay after \overline{CS} high		7	nS

Intel Bus

In Intel mode, the device will interface to 80x86 type processors. The BUS_CS, BUS_WRB, BUS_RDB, BUS_A(6-0), BUS_AD(7-0), and BUS_RDY pins are used, corresponding to CS, WRB, RDB, A, AD, and RDY, respectively. Timing is as follows:

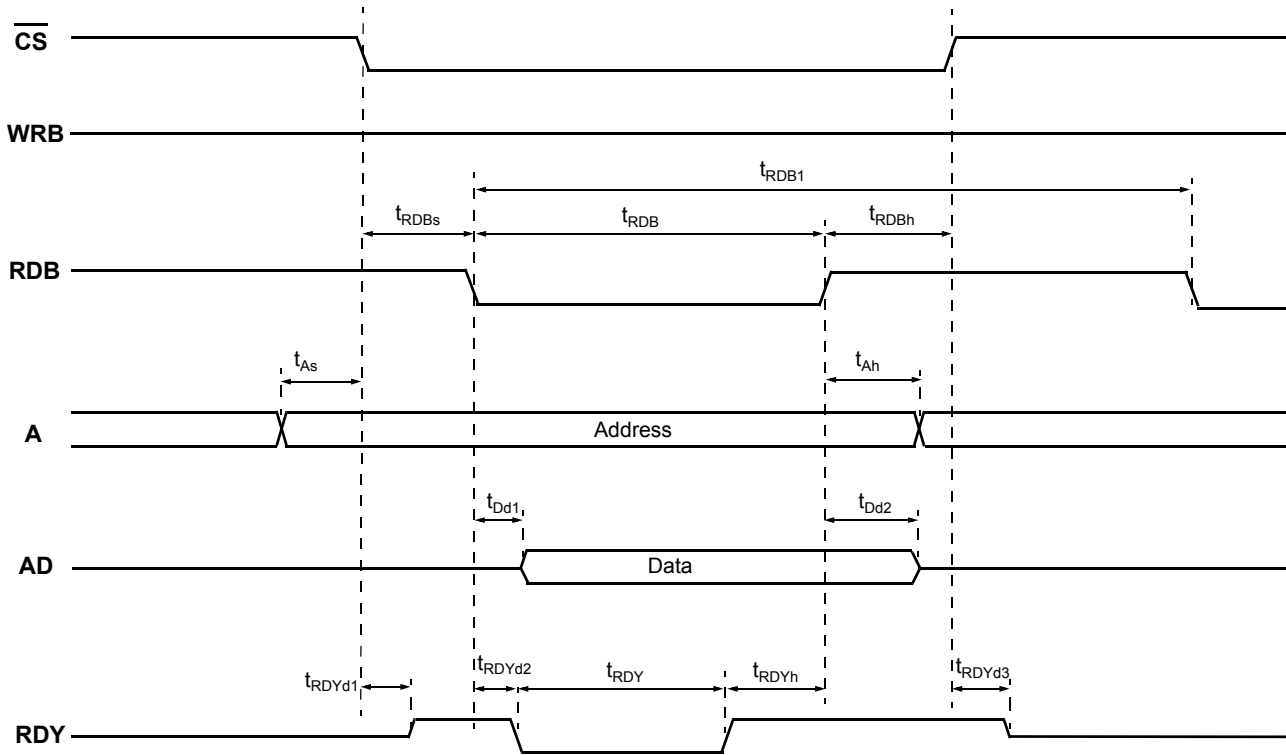


Figure 13: Intel Bus Read Timing

Table 8: Intel Bus Read Timing

Symbol	Description	Min	Max	Unit
t_{RDBs}	Read setup time	0		nS
t_{RDB}	Read low time	40		nS
t_{RDBh}	Read hold time	0		nS
t_{RDB1}	Time between consecutive reads	50		nS
t_{As}	Address setup	10		nS
t_{Ah}	Address hold	0		nS
t_{Dd1}	Data valid delay from RDB high		50	nS
t_{Dd2}	Data high-z delay from RDB high		10	nS
t_{RDYd1}	\overline{CS} low to RDY high delay		13	nS

Symbol	Description	Min	Max	Unit
t_{RDYd2}	RDB low to RDY low		40	nS
t_{RDY}	RDY low time	50		nS
t_{RDYh}	RDB hold after RDY high	0		nS
t_{RDY3}	RDY high-z delay after \overline{CS} high		11	nS

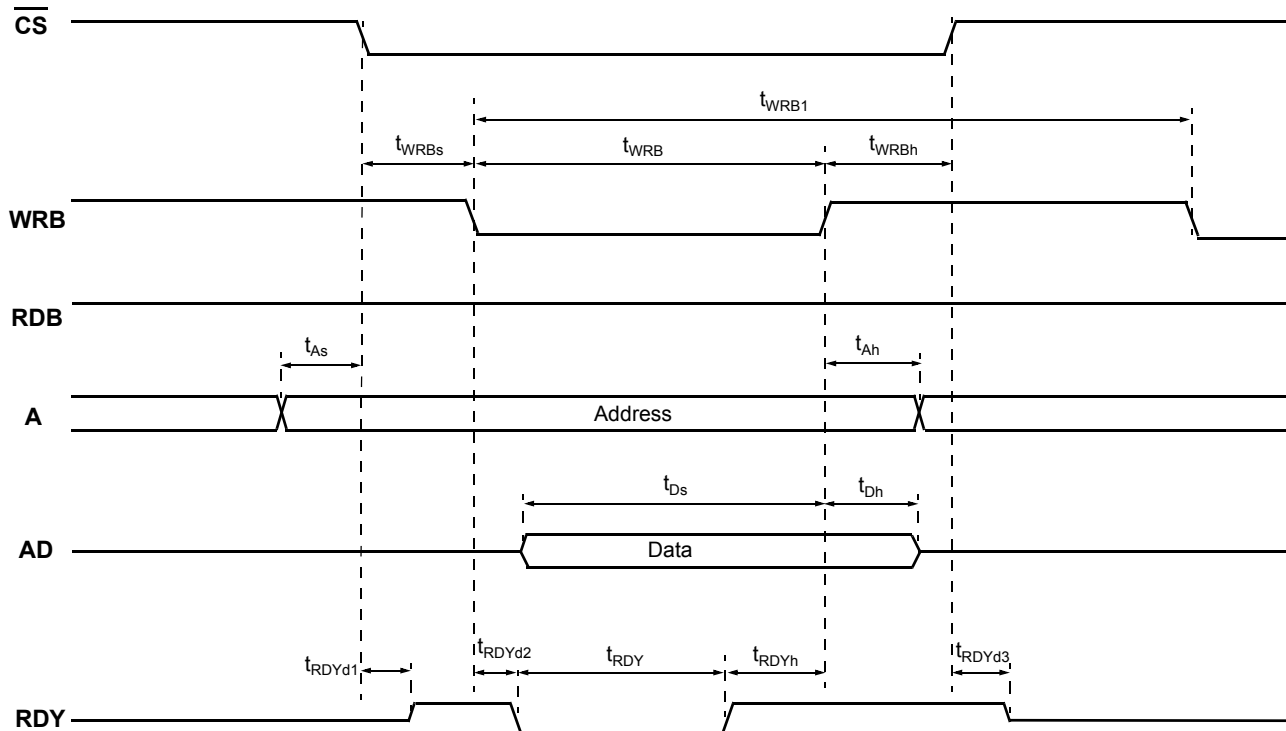


Figure 14: Intel Write Read Timing

Table 9: Intel Bus Write Timing

Symbol	Description	Min	Max	Unit
t_{WRBs}	Write setup time	0		nS
t_{WRB}	Write low time	40		nS
t_{WRBh}	Write hold time	0		nS
t_{WRB1}	Time between consecutive writes	50		nS
t_{As}	Address setup	10		nS
t_{Ah}	Address hold	0		nS
t_{Ds}	Data setup time before \overline{CS} high	10		nS
t_{Dh}	Data hold time after \overline{CS} high	10		nS
t_{RDYd1}	\overline{CS} low to RDY high delay		13	nS
t_{RDYd2}	RDB low to RDY low		40	nS
t_{RDY}	RDY low time	50		nS
t_{RDYh}	RDB hold after RDY high	0		nS
t_{RDY3}	RDY high-z delay after \overline{CS} high		10	nS

Multiplex Bus Mode

In multiplex bus mode, the device can interface with microprocessors which share the address and data on the same bus signals. The BUS_ALE, BUS_CS, BUS_WRB, BUS_RDB, BUS_AD(7-0), and BUS_RDY pins are used, corresponding to ALE, CS, WRB, RDB, AD, and RDY, respectively.

Multiplex Bus Timing

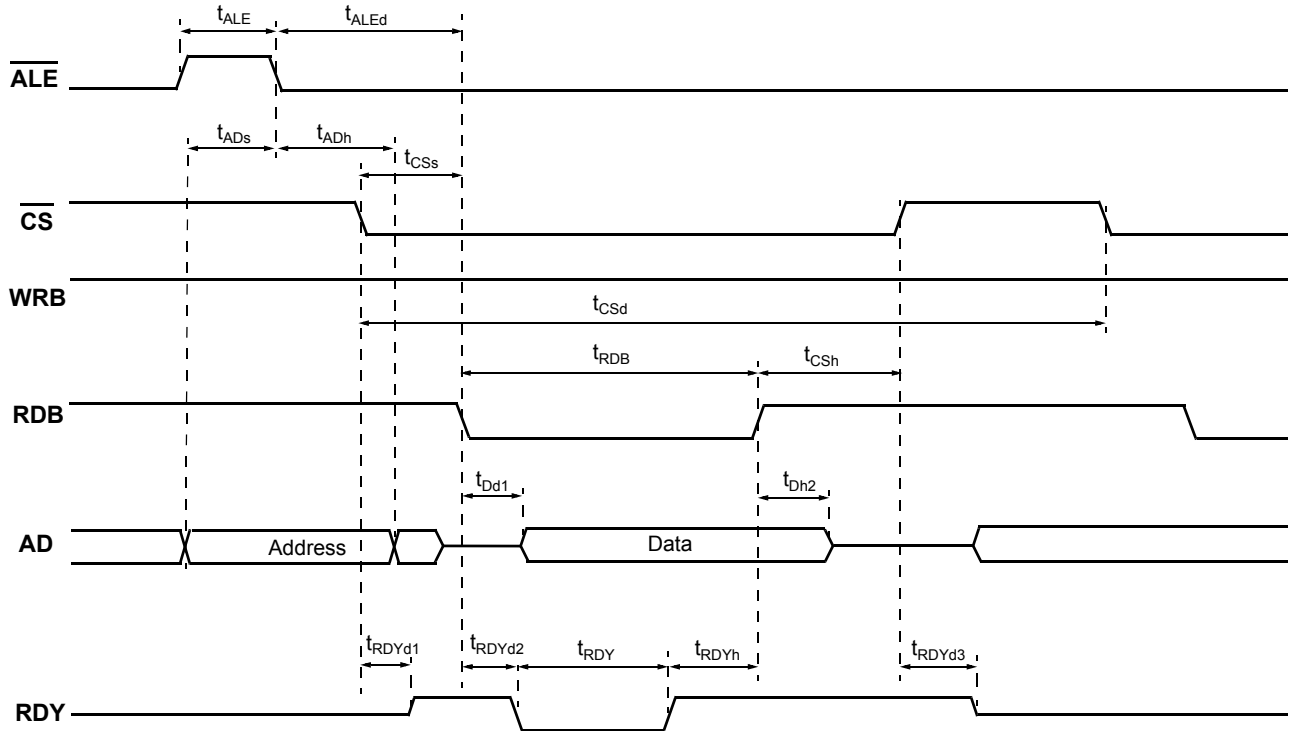


Figure 15: Multiplex Bus Read Timing

Table 10: Multiplex Bus Read Timing

Symbol	Description	Min	Max	Unit
t_{ALE}	ALE high time	10		nS
t_{ALEd}	ALE falling edge to RDB low	0		nS
t_{ADs}	Address setup time	10		nS
t_{ADh}	Address hold time	10		nS
t_{CSs}	Read setup time	0		nS
t_{RDB}	Read time	40		nS
t_{CSh}	\overline{CS} hold time	0		nS
t_{CSd}	\overline{CS} delay for multiple read/writes	50		nS
t_{Dd1}	Data valid delay from RDB low		50	nS
t_{Dh2}	Data high-z from RDB high		10	nS
t_{RDYd1}	\overline{CS} low to RDY active		13	nS
t_{RDYd2}	RDB low to RDY low		40	nS
t_{RDY}	RDY low time	50		nS
t_{RDYh}	Read hold after RDY high	0		nS

Symbol	Description	Min	Max	Unit
t_{RDYd3}	RDY high-z delay after \overline{CS} high		10	nS

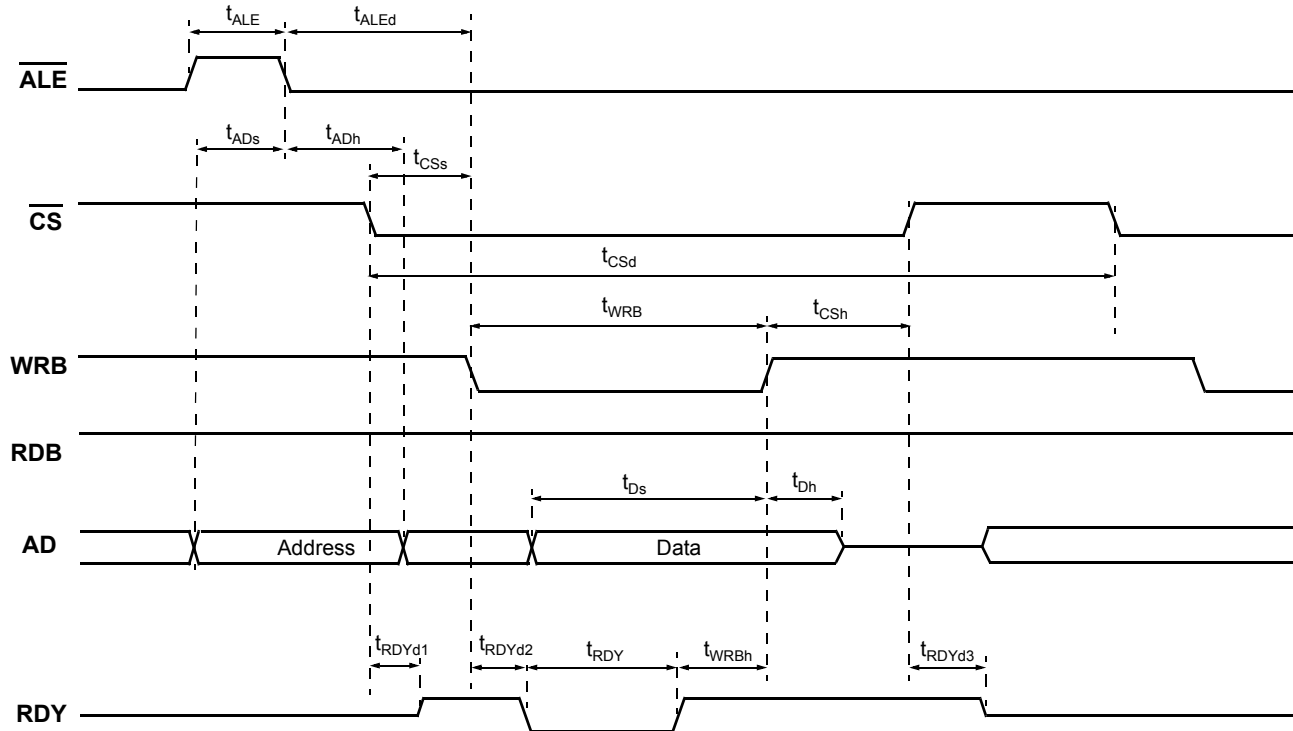


Figure 16: Multiplex Bus Write Timing

Table 11: Multiplex Bus Write Timing

Symbol	Description	Min	Max	Unit
t_{ALE}	ALE high time	10		nS
t_{ALEd}	ALE falling edge to RDB low	0		nS
t_{ADs}	Address setup time	10		nS
t_{ADh}	Address hold time	10		nS
t_{CSs}	Write \overline{CS} setup time	0		nS
t_{WRB}	Write time	40		nS
t_{CSsh}	\overline{CS} hold time	10		nS
t_{CSd}	\overline{CS} delay for multiple write/reads	50		nS
t_{Ds}	Data setup time	10		nS
t_{Dh}	Data hold time	10		nS
t_{RDYd1}	\overline{CS} low to RDY active		13	nS
t_{RDYd2}	WRB low to RDY low		40	nS
t_{RDY}	RDY low time	50		nS
t_{WRBh}	WRB hold after RDY high	0		nS
t_{RDYd3}	RDY high-z delay after \overline{CS} high		9	nS

Register Descriptions and Operation

General Register Operation

The STC4130 device has 1, 2, and 4 byte registers. One byte registers are read and written directly. Two and four byte registers must be read and written in a specific manner and order, as follows:

Multibyte register reads

A multibyte register read must commence with a read of the least significant byte first. This triggers a transfer of the remaining byte(s) to a holding register, ensuring that the remaining data will not change with the continuing operation of the device. The remaining byte(s) may then be read in any order, and with no timing restrictions.

Multibyte register writes

A multibyte register write must commence with a write to the least significant byte first. Subsequent writes to the remaining byte(s) must be performed in ascending byte order, but with no timing restrictions. Multibyte register writes are temporarily stored in a holding register, and are transferred to the target register when the most significant byte is written.

Clearing bits in the Interrupt Status Register

Interrupt event register (**Intr_Event**, 0x5e~0x5f) bits are cleared by writing a “1” to the bit position to be cleared. Interrupt bit positions to be left as is are written with a “0”.

Default Register Settings

Chip_ID, 0x00 (R)

Address	Bit7	Bit6	Bit5	Bit4	Bit3	Bit2	Bit1	Bit0
0x00	0x30							
0x01	0x41							

Chip_Rev, 0x02 (R)

Address	Bit7	Bit6	Bit5	Bit4	Bit3	Bit2	Bit1	Bit0
0x02	0x01							

Chip_Sub_Rev, 0x03 (R)

Address	Bit7	Bit6	Bit5	Bit4	Bit3	Bit2	Bit1	Bit0
0x03	0x01							

T0_T4_MS_Sts, 0x04 (R/W)

Address	Bit7	Bit6	Bit5	Bit4	Bit3	Bit2	Bit1	Bit0
0x04	Not used						T4 M/S	T0 M/S

Reflects the states of the **T0/T4_Master_Slave** select pins. 1 = Master, 0 = slave

T0_Slave_Phase_Adj, 0x05 (R/W)

Address	Bit7	Bit6	Bit5	Bit4	Bit3	Bit2	Bit1	Bit0
0x05	Adjust T0 slave phase from 0 ~ 409.5 nS in 0.1 nS steps, lower 8 bits							
0x06	Not used				Adjust T0 slave phase from 0 ~ 409.5 nS in 0.1 nS steps, upper 4 bits			

The T0 slave phase may be adjusted 0 to 409.5 nS relative to the cross couple input with 0.1 nS resolution. This is a 12 bit register, split across address 0x05 and 0x06. Default value: 0.

T4_Slave_Phase_Adj, 0x07 (R/W)

Address	Bit7	Bit6	Bit5	Bit4	Bit3	Bit2	Bit1	Bit0
0x07	Adjust T4 slave phase from 0 ~ 409.5 nS in 0.1 nS steps, lower 8 bits							
0x08	Not used				Adjust T4 slave phase from 0 ~ 409.5 nS in 0.1 nS steps, upper 4 bits			

The T4 slave phase may be adjusted 0 to 409.5 nS relative to the cross couple input with 0.1 nS resolution. This is a 12 bit register, split across address 0x07 and 0x08. Default value: 0.

Fill_Rate, 0x09 (R/W)

Address	Bit7	Bit6	Bit5	Bit4	Bit3	Bit2	Bit1	Bit0
0x09	Not used			Leaky bucket fill rate window, 0 ~ 15, Default = 0				

Sets the fill rate window size for the reference activity monitor. The value can be set from 0 to 15, corresponding to 1mS to 16mS. Default value: 1.

Leak_Rate, 0x0a (R/W)

Address	Bit7	Bit6	Bit5	Bit4	Bit3	Bit2	Bit1	Bit0
0x0a	Not used				Leak rate, 1/n th of fill rate, 0 ~ 15			

Sets the leak rate for the reference activity monitor to 1/nth of the fill rate, corresponding to n x the fill rate window size. Valid values from 0 to 15, corresponding to n = 1 to 16. For example, if the fill rate is set to 4mS and the leak rate is set to 3 (n = 4), the leak rate window size will be 16mS. Default value: 3.

Bucket_Size, 0x0b (R/W)

Address	Bit7	Bit6	Bit5	Bit4	Bit3	Bit2	Bit1	Bit0
0x0b	Not used		Leaky bucket size, 0 ~ 63					

Sets the leaky bucket size for the reference activity monitor. Bucket size must be greater than or equal to the alarm assert value. Invalid values will not be written to the register.

Default value: 20.

Assert_Threshold, 0x0c (R/W)

Address	Bit7	Bit6	Bit5	Bit4	Bit3	Bit2	Bit1	Bit0
0x0c	Not used		Leaky bucket alarm assert threshold, 0 ~ 63					

Sets the leaky bucket alarm assert threshold for the reference activity monitor. The alarm assert threshold value must be greater than the de-assert threshold value and less than or equal to the bucket size value.

Invalid values will not be written to the register.

Default value: 15.

De_Assert_Threshold, 0x0d (R/W)

Address	Bit7	Bit6	Bit5	Bit4	Bit3	Bit2	Bit1	Bit0
0x0d	Not used		Leaky bucket alarm de-assert threshold, 0 ~ 63					

Sets the leaky bucket alarm de-assert threshold for the reference activity monitor. The de-assert threshold value must be less than the assert threshold value. Invalid values will not be written to the register.

Default value: 10.

Freerun_Cal, 0x0e (R/W)

Address	Bit7	Bit6	Bit5	Bit4	Bit3	Bit2	Bit1	Bit0
0x0e	Lower 8 bits							
0x0f	Not used				Upper 3 bits			

Freerun TCXO/OCXO calibration, from -102.4 to +102.3 ppm, in .1ppm steps, two's complement.

Default value: 0.

Disqualification_Range, 0x10 (R/W)

Address	Bit7	Bit6	Bit5	Bit4	Bit3	Bit2	Bit1	Bit0
0x10	Lower 8 bits							
0x11	Not used				Upper 3 bits			

Reference disqualification range, from 0 to +102.3 ppm, in 0.1 ppm steps. This also sets the pull-in range, beyond which, in manual mode, a reference will either not be synchronized to or no longer will be followed (depending on the state of the OOP bits in the **T0/4_Control_Mode** registers).

Default value: 110.

Qualification_Range, 0x12 (R/W)

Address	Bit7	Bit6	Bit5	Bit4	Bit3	Bit2	Bit1	Bit0
0x12	Lower 8 bits							
0x13	Not used					Upper 3 bits		

Reference qualification range, from 0 to +102.3 ppm, in 0.1 ppm steps.
Default value: 100.

Qualification_Timer, 0x14 (R/W)

Address	Bit7	Bit6	Bit5	Bit4	Bit3	Bit2	Bit1	Bit0
0x14	0 ~ 63 S							

Reference qualification timer, from 0 to 255 S.
Default value: 10.

Ref_Selector, 0x15 (R/W)

Address	Bit7	Bit6	Bit5	Bit4	Bit3	Bit2	Bit1	Bit0
0x15	Not used				1 ~ 12 (0x1 ~ 0xc)			

Determines which reference data is displayed in register 0x16 and 0x17. Valid values from 1 to 12.
Default value: 1.

Ref_Frq_Offset, 0x16 (R)

Address	Bit7	Bit6	Bit5	Bit4	Bit3	Bit2	Bit1	Bit0
0x16	Lower 8 bits of frequency offset							
0x17	Not used	Reference frequency			Upper 4 bits of frequency offset			

Displays the frequency offset and reference frequency for the reference selected by the **Ref_Selector** (0x15) register. Frequency offset is from -204.8 to +204.7 ppm in 0.1 ppm steps, two's complement. The reference frequency is determined as follows:

0x13, bits 6 ~ 4	Frequency
000	No signal
001	8 KHz
010	64 KHz
011	1.544 MHz
100	2.048 MHz
101	19.44 MHz
110	38.88 MHz
111	77.76 MHz

Refs_Activity, 0x18 (R)

Address	Bit7	Bit6	Bit5	Bit4	Bit3	Bit2	Bit1	Bit0
0x18	Ref 8	Ref 7	Ref 6	Ref 5	Ref 4	Ref 3	Ref 2	Ref 1
0x19	Not used		T4_Xsync_In	T0_Xsync_In	Ref 12	Ref 11	Ref 10	Ref 9

Reference activity indicator, 0 = no activity, 1 = activity.

Refs_Qual, 0x1a (R)

Address	Bit7	Bit6	Bit5	Bit4	Bit3	Bit2	Bit1	Bit0
0x1a	Ref 8	Ref 7	Ref 6	Ref 5	Ref 4	Ref 3	Ref 2	Ref 1
0x1b	Not used				Ref 12	Ref 11	Ref 10	Ref 9

Reference qualification indicator, 0 = not qualified, 1 = qualified.

T0_Control_Mode, 0x1c (R/W)

Address	Bit7	Bit6	Bit5	Bit4	Bit3	Bit2	Bit1	Bit0
0x1c	Not used		OOP: Out of Pull-in range: 0=Follow 1=Don't follow	Manual/ Auto 0=Manual 1=Auto	Revertive 0=Non-revertive 1=Revertive	Accu_Usage 0=LTH 1=User		Phase Align Mode 0=Arbitrary 1=Align

Mode control bits for T0.

Bit 0: 0 = Arbitrary (use initial phase), 1 = Phase align

Bit 2, Accu_Usage: 0 = Device calculated long term history (LTH) is used; 1 = User supplied history is used.

Bit 5, OOP: In manual mode, when the selected active reference is out of the pull-in range, as specified in register **Disqualification_Range**, 0x10, OOP will determine if the reference is to be followed, 0 = Don't follow, 1 = Follow.

Default value: 0.

T0_Bandwidth, 0x1d (R/W)

Address	Bit7	Bit6	Bit5	Bit4	Bit3	Bit2	Bit1	Bit0
0x1d	Not used							

Sets the T0 bandwidth:

0x1d, bits 4 ~ 0	Bandwidth, Hz
0	107
1	50
2	24
3	12
4	5.9
5	2.9
6	1.5
7	.73
8	0.37

0x1d, bits 4 ~ 0	Bandwidth, Hz
9	0.18
10	0.09
31 ~ 11	Reserved

Default value: 6.

T0_Auto_Active_Ref, 0x1e (R)

Address	Bit7	Bit6	Bit5	Bit4	Bit3	Bit2	Bit1	Bit0
0x1e	Not used				Values from 0 - 12			

Indicates the automatically selected active reference for T0, when the device is a “master”. When the device is a “slave”, the mate’s active reference is indicated.

T0_Manual_Active_Ref, 0x1f (R/W)

Address	Bit7	Bit6	Bit5	Bit4	Bit3	Bit2	Bit1	Bit0
0x1f	Not used				Values from 0 - 15			

Selects the active reference and the phase align mode for T0 in manual reference select mode.

Bit 3 ~ Bit 0	Phase Align Mode/Ref selection
0000	Freerun
0001 ~ 1100	Ref 1 ~ Ref 12
1101 ~ 1111	Holdover

Default value: 0.

T0_Long_Term_Accu_History, 0x24 (R)

Address	Bit7	Bit6	Bit5	Bit4	Bit3	Bit2	Bit1	Bit0
0x24	Bits 0 - 7 of 32 bit Long Term Holdover History							
0x25	Bits 8 - 15 of 32 bit Long Term Holdover History							
0x26	Bits 16 - 23 of 32 bit Long Term Holdover History							
0x27	Bits 24 - 31 of 32 bit Long Term Holdover History							

Long term accumulated history for T0 relative to the TCXO. Resolution is 0.745×10^{-3} ppb.

T0_Short_Term_Accu_History, 0x28 (R)

Address	Bit7	Bit6	Bit5	Bit4	Bit3	Bit2	Bit1	Bit0
0x28	Bits 0 - 7 of 32 bit Short Term Holdover History							
0x29	Bits 8 - 15 of 32 bit Short Term Holdover History							
0x2a	Bits 16 - 23 of 32 bit Short Term Holdover History							
0x2b	Bits 24 - 31 of 32 bit Short Term Holdover History							

Short term accumulated history for T0 relative to the TCXO. Resolution is 0.745×10^3 ppb.

T0_User_Accu_History, 0x2c (R/W)

Address	Bit7	Bit6	Bit5	Bit4	Bit3	Bit2	Bit1	Bit0
0x2c	Bits 0 - 7 of 32 bit User Holdover History							
0x2d	Bits 8 - 15 of 32 bit User Term Holdover History							
0x2e	Bits 16 - 23 of 32 bit User Term Holdover History							
0x2f	Bits 24 - 31 of 32 bit User Term Holdover History							

User accumulated history for T0 relative to the TCXO. Resolution is 0.745×10^{-3} ppb.
Default value: 0.

T0_HO_Ramp, 0x30 (R/W)

Address	Bit7	Bit6	Bit5	Bit4	Bit3	Bit2	Bit1	Bit0
0x30	Not used	Long term History Bandwidth			Short term History bandwidth		Ramp control	

Holdover bandwidth and ramp controls for T0:

0x30, bits 6 ~ 4	Long term History Bandwidth, mHz
000	9.7 mHz
001	4.9 mHz
010	2.4 mHz
011	1.2 mHz
100	0.61 mHz
101	0.30 mHz

0x30, bits 3 ~ 2	Short term History Bandwidth, mHz
00	2.5 mHz
01	1.24 mHz
10	0.62 mHz
11	0.31 mHz

0x30, bits 1 ~ 0	Ramp control, ppm/sec
00	No Control
01	1
10	1.5
11	2

Default value: 0x26

T0_Priority_Table, 0x31 (R/W)

Address	Bit7	Bit6	Bit5	Bit4	Bit3	Bit2	Bit1	Bit0
0x31	Ref 2 Priority				Ref 1 Priority			
0x32	Ref 4 Priority				Ref 3 Priority			
0x33	Ref 6 Priority				Ref 5 Priority			
0x34	Ref 8 Priority				Ref 7 Priority			
0x35	Ref 10 Priority				Ref 9 Priority			
0x36	Ref 12 Priority				Ref 11 Priority			

Reference priority for automatic reference selection mode. Lower values have higher priority:

0x31 - 0x36, 4 bits	Reference Priority
0000	Disable reference
0001 ~ 1111	1 ~ 15

Default value: 0.

T0_PLL_Status, 0x37 (R)

Address	Bit7	Bit6	Bit5	Bit4	Bit3	Bit2	Bit1	Bit0
0x37	LHA 1=Available 0=Not available	LHC 1=Complete 0=Not complete	Reserved		OOP 1=Out of pull-in range 0=In range	LOL 0=No LOL 1=LOL	LOS 0=No LOS 1=LOS	SYNC: 0=No Sync 1=Sync

SYNC: Indicates synchronization has been achieved

LOS: Loss of signal

LOL: Loss of lock

OOP: Out of pull-in range

LHC: Long Term History Complete

LHA: Long Term History Available

T0_Accu_Flush, 0x38 (W)

Address	Bit7	Bit6	Bit5	Bit4	Bit3	Bit2	Bit1	Bit0
0x38	Not used							HO flush

Writing to this register will perform a flush of the accumulated history. The value of bit zero determines which histories are flushed. Bit 0 = 0, Flush T0 current history only; bit 0 = 1, flush all T0 histories.

T4_Control_Mode, 0x39 (R/W)

Address	Bit7	Bit6	Bit5	Bit4	Bit3	Bit2	Bit1	Bit0
0x39	Not used		OOP: Out of Pull-in range: 0=Follow 1=Don't follow	Manual/ Auto 0=Manual 1=Auto	Revertive 0=Non-revertive 1=Revertive	Accu_Usage 0=LTH 1=User		Phase Align Mode 0=Arbitrary 1=Align

Mode control bits for T4.

Bit 0: 0 = Arbitrary (use initial phase), 1 = Phase align

Bit 2, Accu_Usage: 0 = Device calculated long term history (LTH) is used; 1 = User supplied history is used.

Bit 5, OOP: In manual mode, when the selected active reference is out of the pull-in range, as specified in register **Disqualification_Range**, 0x10, OOP will determine if the reference is to be followed, 0 = Don't follow, 1 = Follow.

Default value: 0.

T4_Bandwidth, 0x3a (R/W)

Address	Bit7	Bit6	Bit5	Bit4	Bit3	Bit2	Bit1	Bit0
0x3a	Not used							

Sets the T4 bandwidth:

0x1d, bits 4 ~ 0	Bandwidth, Hz
0	107
1	50
2	24
3	12
4	5.9
5	2.9
6	1.5
7	.73
8	0.37
9	0.18
10	0.09
31 ~ 11	Reserved

Default value: 0.

T4_Auto_Active_Ref, 0x3b (R)

Address	Bit7	Bit6	Bit5	Bit4	Bit3	Bit2	Bit1	Bit0
0x3b	Not used				Values from 0 - 12			

Indicates the automatic selected active reference for T4.

T4_Manual_Active_Ref, 0x3c (R/W)

Address	Bit7	Bit6	Bit5	Bit4	Bit3	Bit2	Bit1	Bit0
0x3c	Not used				Values from 0 - 15			

Selects the active reference and the phase align mode for T4 in manual reference select mode.

Bit 3 ~ Bit 0	Phase Align Mode/Ref selection
0000	Freerun
0001 ~ 1100	Ref 1 ~ Ref 12

Bit 3 ~ Bit 0	Phase Align Mode/Ref selection
1101 ~ 1111	Holdover

Default value: 0.

T4_Long_Term_Accu_History, 0x41 (R)

Address	Bit7	Bit6	Bit5	Bit4	Bit3	Bit2	Bit1	Bit0
0x41	Bits 0 - 7 of 32 bit Long Term Holdover History							
0x42	Bits 8 - 15 of 32 bit Long Term Holdover History							
0x43	Bits 16 - 23 of 32 bit Long Term Holdover History							
0x44	Bits 24 - 31 of 32 bit Long Term Holdover History							

Long term accumulated history for T4 relative to the TCXO. Resolution is 0.745×10^{-3} ppb.

T4_Short_Term_Accu_History, 0x45 (R)

Address	Bit7	Bit6	Bit5	Bit4	Bit3	Bit2	Bit1	Bit0
0x45	Bits 0 - 7 of 32 bit Short Term Holdover History							
0x46	Bits 8 - 15 of 32 bit Short Term Holdover History							
0x47	Bits 16 - 23 of 32 bit Short Term Holdover History							
0x48	Bits 24 - 31 of 32 bit Short Term Holdover History							

Short term accumulated history for T4 relative to the TCXO. Resolution is 0.745×10^{-3} ppb.

T4_User_Accu_History, 0x49 (R/W)

Address	Bit7	Bit6	Bit5	Bit4	Bit3	Bit2	Bit1	Bit0
0x49	Bits 0 - 7 of 32 bit User Holdover History							
0x4a	Bits 8 - 15 of 32 bit User Term Holdover History							
0x4b	Bits 16 - 23 of 32 bit User Term Holdover History							
0x4c	Bits 24 - 31 of 32 bit User Term Holdover History							

User accumulated history for T4 relative to the TCXO. Resolution is 0.745×10^{-3} ppb.

Default value: 0.

T4_HO_Ramp, 0x4d (R/W)

Address	Bit7	Bit6	Bit5	Bit4	Bit3	Bit2	Bit1	Bit0
0x4d	Not used	Long term History bandwidth			Short term History bandwidth		Ramp control	

Holdover bandwidth and ramp controls for T4:

0x30, bits 6 ~ 4	Long term History Bandwidth, mHz
000	9.7 mHz
001	4.9 mHz
010	2.4 mHz

0x30, bits 6 ~ 4	Long term History Bandwidth, mHz
011	1.2 mHz
100	0.61 mHz
101	0.30 mHz

0x30, bits 3 ~ 2	Short term History Bandwidth, mHz
00	2.5 mHz
01	1.24 mHz
10	0.62 mHz
11	0.31 mHz

0x30, bits 1 ~ 0	Ramp control, ppm/sec
00	No Control
01	1
10	1.5
11	2

Default value: 0x24.

T4_Priority_Table, 0x4e (R/W)

Address	Bit7	Bit6	Bit5	Bit4	Bit3	Bit2	Bit1	Bit0
0x4e	Ref 2 Priority				Ref 1 Priority			
0x4f	Ref 4 Priority				Ref 3 Priority			
0x50	Ref 6 Priority				Ref 5 Priority			
0x51	Ref 8 Priority				Ref 7 Priority			
0x52	Ref 10 Priority				Ref 9 Priority			
0x53	Ref 12 Priority				Ref 11 Priority			

Reference priority for automatic reference selection mode. Lower values have higher priority:

0x31 - 0x36, 4 bits	Reference Priority
0000	Disable reference
0001 ~ 1111	1 ~ 15

Default value: 0.

T4_PLL_Status, 0x54 (R)

Address	Bit7	Bit6	Bit5	Bit4	Bit3	Bit2	Bit1	Bit0
0x54	LHA 1=Available 0=Not available	LHC 1=Complete 0=Not complete	Reserved		OOP 1=Out of pull-in range 0=In range	LOL 0=No LOL 1=LOL	LOS 0=No LOS 1=LOS	SYNC: 0=No Sync 1=Sync

SYNC: Indicates synchronization has been achieved
 LOS: Loss of signal
 LOL: Loss of lock
 OOP: Out of pull-in range
 LHC: Long Term History Complete
 LHA: Long Term History Available

T4_Accu_Flush, 0x55 (W)

Address	Bit7	Bit6	Bit5	Bit4	Bit3	Bit2	Bit1	Bit0
0x55	Not used							HO flush

Writing to this register will perform a flush of the accumulated history. The value of bit zero determines which histories are flushed. Bit 0 = 0, Flush T4 current history only; bit 0 = 1, flush all T4 histories.

CLK0_Sel, 0x56 (R/W)

Address	Bit7	Bit6	Bit5	Bit4	Bit3	Bit2	Bit1	Bit0
0x56	Not used							0=Disable 1=Enable

Enables or disables the 155.52MHz CLK0 output.
 Default vale: 0.

CLK1_Sel, 0x57 (R/W)

Address	Bit7	Bit6	Bit5	Bit4	Bit3	Bit2	Bit1	Bit0
0x57	Not used						CLK1 Select	

Selects or disables the CLK1 output.

0x57, bits 1 ~ 0	CLK1 output
0	Disabled
1	19.44MHz
2	38.88MHz
3	77.76MHz

Default value: 1.

CLK2_Sel, 0x58 (R/W)

Address	Bit7	Bit6	Bit5	Bit4	Bit3	Bit2	Bit1	Bit0
0x58	Not used						CLK2 Select	

Selects or disables the CLK2 output.

0x58, bits 1 ~ 0	CLK2 output
0	Disabled
1	19.44MHz
2	38.88MHz
3	77.76MHz

Default value: 2.

CLK3_Sel, 0x59 (R/W)

Address	Bit7	Bit6	Bit5	Bit4	Bit3	Bit2	Bit1	Bit0
0x59	Not used			CLK3 Select				

Selects or disables the CLK3 output, and sets the pulse width. In variable pulse width, the width may be selected from 1 to 62 times the period of the 155.52MHz output (~6.43nS to 399nS).

0x59, bits 5 ~ 0	CLK3 8KHz output
0	Disabled
1 ~ 62	Pulse width 1 to 62 cycles of 155.52MHz
63	50% duty cycle

Default value: 63.

CLK4_Sel, 0x5a (R/W)

Address	Bit7	Bit6	Bit5	Bit4	Bit3	Bit2	Bit1	Bit0
0x5a	Not used			CLK4 Select				

Selects or disables the CLK4 output, and sets the pulse width. In variable pulse width, the width may be selected from 1 to 62 times the period of the 155.52MHz output (~6.43nS to 399nS).

0x5a, bits 5 ~ 0	CLK4 2KHz output
0	Disabled
1 ~ 62	Pulse width 1 to 62 cycles of 155.52MHz
63	50% duty cycle

Default value: 63.

CLK5_Sel, 0x5b (R/W)

Address	Bit7	Bit6	Bit5	Bit4	Bit3	Bit2	Bit1	Bit0
0x5b	Not used						CLK2 Select	

Selects or disables the CLK5 output.

0x5b, bits 1 ~ 0	CLK5 output
0	Disabled

0x5b, bits 1 ~ 0	CLK5 output
1	DS3
2	E3
3	Disabled

Default value: 2.

CLK6_Sel, 0x5c (R/W)

Address	Bit7	Bit6	Bit5	Bit4	Bit3	Bit2	Bit1	Bit0
0x5c	Not used				CLK6 Select			

Selects or disables the CLK6 output. Default = 0110, 2.048MHz:

0x5c, bits 3 ~ 0	CLK6 output
0	Disabled
1	2.048MHz
2	4.096MHz
3	8.192MHz
4	16.384MHz
5	32.768MHz
9	1.544MHz
10	3.088MHz
11	6.176MHz
12	12.352Hz
13	24.704MHz

Default value: 1.

CLK7_Sel, 0x5d (R/W)

Address	Bit7	Bit6	Bit5	Bit4	Bit3	Bit2	Bit1	Bit0
0x5d	Not used					CLK7 Select		

Selects or disables the CLK7 output.

0x5d, bits 1 ~ 0	CLK7 output
0	Disabled
1	T1
2	E1
3	Disabled

Default value: 2.

Intr_Event, 0x5e (R/W)

Address	Bit7	Bit6	Bit5	Bit4	Bit3	Bit2	Bit1	Bit0
0x5e	Event 7: T4 cross reference changed from non- active to active	Event 6: T4 cross reference changed from active to non- active	Event 5: T4 DPLL status changed	Event 4: T4 active reference changed in auto selec- tion mode	Event 3: T0 cross reference changed from non- active to active	Event 2: T0 cross reference changed from active to non- active	Event 1: T0 DPLL status changed	Event 0: T0 active reference changed in auto selec- tion mode

Address	Bit7	Bit6	Bit5	Bit4	Bit3	Bit2	Bit1	Bit0
0x5f							Event 9: Any refer- ence changed from dis- qualified to qualified	Event 8: Any refer- ence changed from quali- fied to dis- qualified

Interrupt event, 0 = no event, 1 = event occurred. Interrupt 8 and 9 apply to the 12 reference inputs only.

Interrupts are cleared by writing "1"s to the bit positions to be cleared (See **General Register Operation, Clearing bits in the Interrupt Status Register** section).

Intr_Enable, 0x60 (R/W)

Address	Bit7	Bit6	Bit5	Bit4	Bit3	Bit2	Bit1	Bit0
0x60	Intr 7 Enable	Intr 6 Enable	Intr 5 Enable	Intr 4 Enable	Intr 3 Enable	Intr 2 Enable	Intr 1 Enable	Intr 0 Enable
0x61							Intr 9 Enable	Intr 8 Enable

Interrupt disable/enable, 0 = disable, 1 = enable.

Default value: 0.

Application Notes

This section describes typical application use of the STC4130 device. The General section applies to all application variations, while the remaining sections detail use depending on the level of control and automatic operation the application desires.

General

Power and Ground

Well-planned noise-minimizing power and ground are essential to achieving the best performance of the device. The device requires 3.3 and 1.8V digital power and 1.8V analog power input. All digital I/O is at 3.3V, LVTTTL compatible. The 1.8V may originate from a common source but should be individually filtered and isolated, as shown in Figure 17. Alternatively, a separate 1.8V regulator may be used for the analog 1.8 volts. R/C filter components should be chosen for minimum inductance and kept as close to the chip as possible.

It is desirable to provide individual bypass capacitors, located close to the chip, for each of the digital power input leads, subject to board space and layout constraints. On power-up, it is desirable to have the 1.8V either lead or be coincident with, but not lag the application of 3.3V.

Digital ground should be provided by as continuous a ground plane as possible. While the analog and digital grounds are tied together inside the chip, it is recommended that they be tied together externally at a single point close to the chip as well.

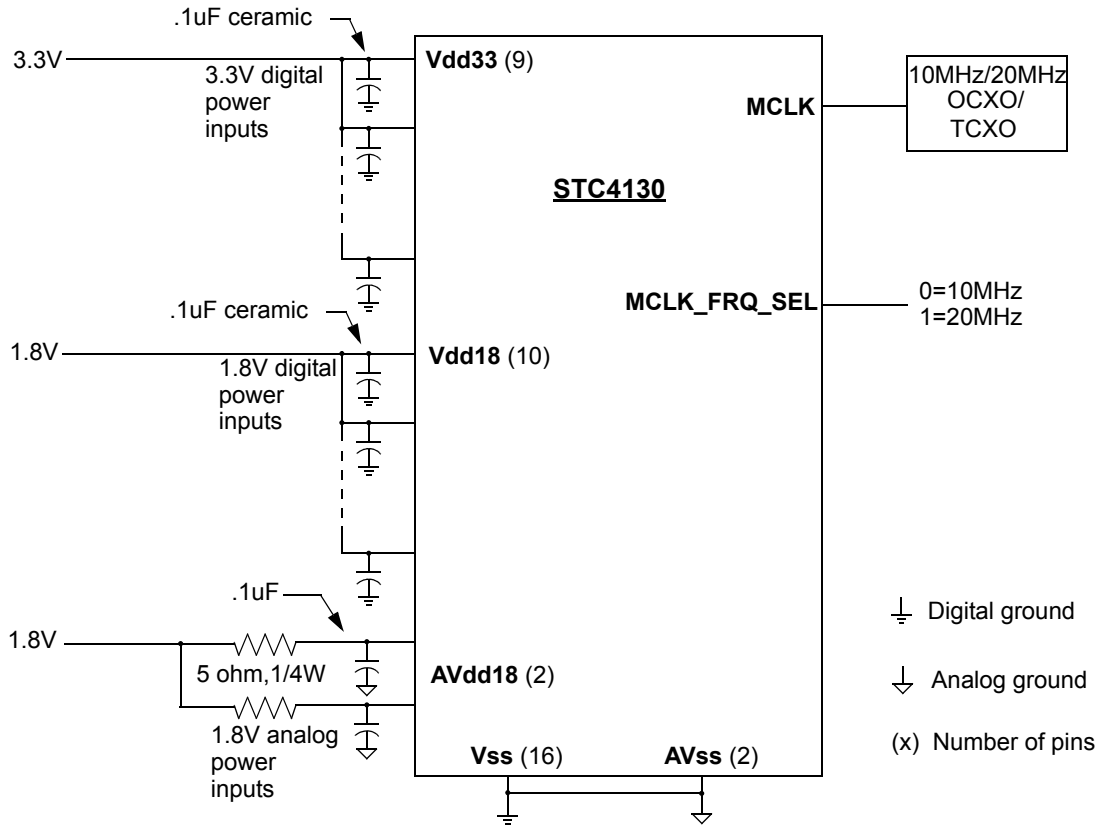


Figure 17: Power, Ground and Oscillator connections

The external TCXO/OCXO master oscillator is connected to the **MCLK** pin, and the **MCLK_FRQ_SEL** pin is tied low for 10MHz or high for 20MHz.

MECHANICAL DRAWING

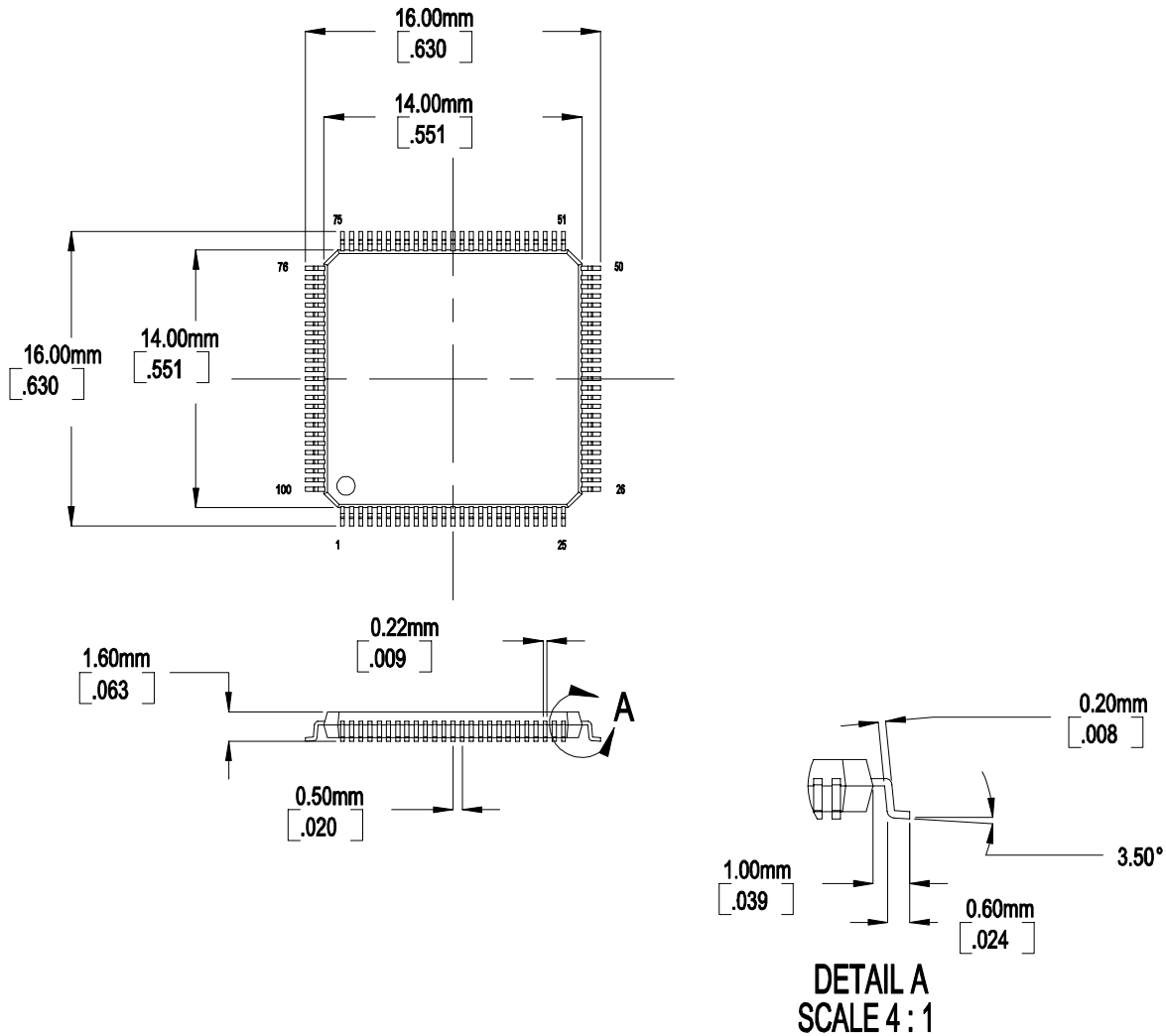


Figure 18: Mechanical Dimensions

* Dimensions are in mm [inches]


Ordering Information

Part Number	Description
STC4130	Commercial Temperature Range Model
STC4130-I	Industrial Temperature Range Model

Revision	Date	Changes
P00	5/12/06	Initial Release
P01	8/31/06	Edited TOC, pg.2
P02	12/5/06	Added Mechanical Dimensions on pg.42, Added Industrial Temp Range Part Number

Information furnished by Connor-Winfield is believed to be accurate and reliable. However, no responsibility is assumed by Connor-Winfield for its use, nor for any infringements of patents or other rights of third parties that may result from its use. Specifications subject to change without notice.

For more information, contact:

 2111 Comprehensive DR
Aurora, IL. 60505, USA
630-851-4722
630-851-5040 FAX
www.conwin.com