

Philips Components-Signetics

Document No.	853-0094
ECN No.	01040
Date of Issue	November 12, 1990
Status	Product Specification
Memory Products	

# 27C256

## 256K-bit CMOS EPROM (32K × 8)

### DESCRIPTION

Philips Components-Signetics 27C256 CMOS EPROM is a 262,144-bit 5V read only memory organized as 32,768 words of 8 bits each. It employs advanced CMOS circuitry for systems requiring low power, high-performance speeds, and immunity to noise. The 27C256 has a non-multiplexed addressing interface and is configured in the JEDEC standard EPROM pinout.

Quick-pulse programming is employed on plastic devices which may speed up programming by as much as one hundred times. In the absence of quick-pulse programming equipment, the intelligent programming algorithm may be utilized.

The 27C256 is available in windowed Ceramic DIP, Plastic DIP, PLCC, and Small Outline (SO) packages. This device can be programmed with standard EPROM programmers.

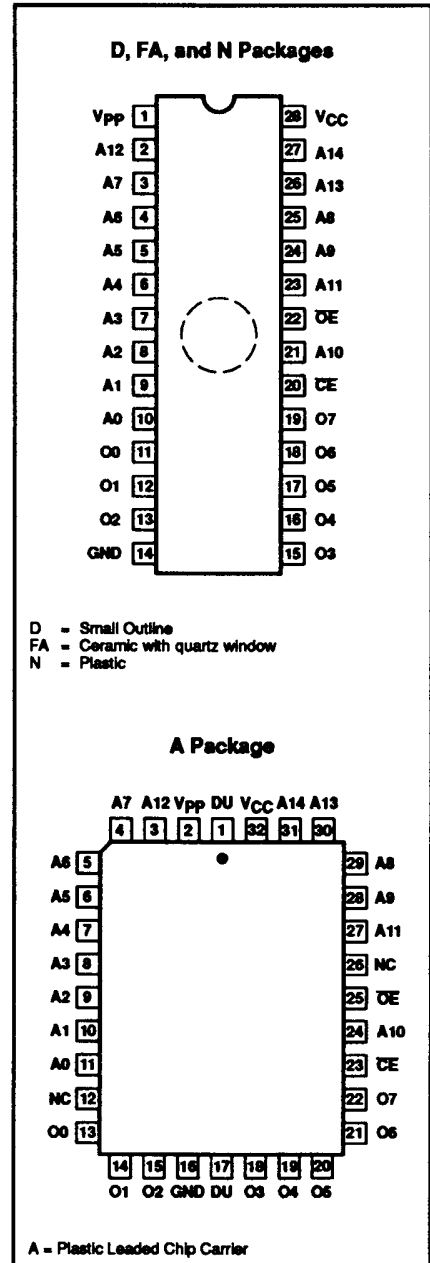
### FEATURES

- Low power consumption
  - 100µA maximum CMOS standby current
- High-performance speed
  - 90ns maximum access time
- Noise immunity features
  - ±10% V<sub>CC</sub> tolerance
  - Maximum latch-up immunity through Epitaxial processing
- Quick-pulse programming algorithm

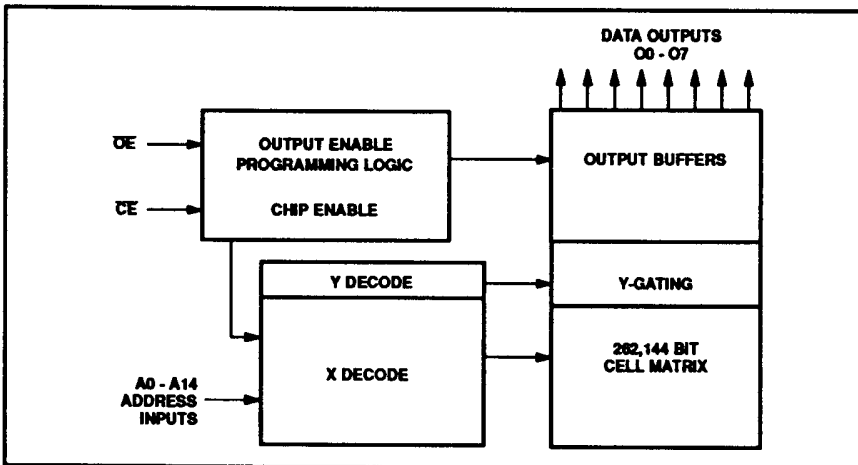
### PIN DESCRIPTION

A0 - A14	Addresses
O0 - O7	Outputs
OE	Output Enable
CE	Chip Enable
GND	Ground
V <sub>PP</sub>	Program voltage
V <sub>CC</sub>	Power supply
N.C.	No Connection
D.U.	Don't Use

### PIN CONFIGURATION



### BLOCK DIAGRAM



Philips Components



PHILIPS

## 256K-bit CMOS EPROM (32K × 8)

27C256

**READ MODE:**

The 27C256 has two control functions, both of which must be logically active in order to obtain data at the outputs. Chip Enable ( $\overline{CE}$ ) is the power control and should be used for device selection. Output Enable ( $\overline{OE}$ ) is the

output control and should be used to gate data from the output pins. Data is available at the outputs after a delay of  $t_{OE}$  from the falling edge of  $\overline{OE}$ , assuming that  $\overline{CE}$  has been low and addresses have been stable for at least  $t_{ACC} - t_{OE}$ .

**STANDBY MODE**

The 27C256 has a standby mode which reduces the maximum  $V_{CC}$  current to 100 $\mu$ A. It is placed in the Standby mode when  $\overline{CE}$  is in the High state. When in the Standby mode, the outputs are in a high-impedance state, independent of the  $\overline{OE}$  input.

**ORDERING INFORMATION**

PACKAGE DESCRIPTION	ORDER CODE		
	COMMERCIAL	INDUSTRIAL	AUTOMOTIVE
28-Pin Ceramic Dual In-Line with quartz window 600mil-wide	27C256-90 FA 27C256-12 FA 27C256-15 FA 27C256-17 FA 27C256-20 FA	27C256I12 FA 27C256I15 FA 27C256I20 FA	27C256A12 FA 27C256A15 FA 27C256A20 FA
28-Pin Plastic Dual In-Line 600mil-wide	27C256-90 N 27C256-12 N 27C256-15 N 27C256-17 N 27C256-20 N	27C256I12 N 27C256I15 N 27C256I20 N	27C256A12 N 27C256A15 N 27C256A20 N
28-Pin Plastic Small Outline (SO) 300mil-wide	27C256-90 D 27C256-12 D 27C256-15 D 27C256-17 D 27C256-20 D	27C256I12 D 27C256I15 D 27C256I20 D	27C256A12 D 27C256A15 D 27C256A20 D
32-Pin Plastic Leaded Chip Carrier 450mil × 550mil	27C256-90 A 27C256-12 A 27C256-15 A 27C256-17 A 27C256-20 A	27C256I12 A 27C256I15 A 27C256I20 A	27C256A12 A 27C256A15 A 27C256A20 A

**ABSOLUTE MAXIMUM RATINGS<sup>1</sup>**

SYMBOL	PARAMETER	RATING	UNIT
$T_{stg}$	Storage temperature range	-65 to +125	°C
$V_I, V_O$	Voltage inputs and outputs	-2.0 to ( $V_{CC} + 1$ )	V
$V_H$	Voltage on A9 <sup>2</sup> (During intelligent identifier interrogation)	-2.0 to +13.5	V
$V_{PP}$	Voltage on $V_{PP}$ <sup>2</sup> (During programming)	-2.0 to +14.0	V
$V_{CC}$	Supply voltage <sup>2</sup>	-2.0 to +7.0	V

**NOTES:**

- Stresses above those listed under "Absolute Maximum Ratings" may cause permanent damage to the device. This is a stress rating only and functional operation of the device at these or any other conditions above those indicated in the operational sections of this specification is not implied. Exposure to absolute maximum rating conditions for extended periods may affect device reliability.
- All voltages are with respect to network ground.

**DEVICE OPERATION<sup>1</sup>**

MODE	$\overline{CE}$	$\overline{OE}$	$V_{PP}$ <sup>2</sup>	OUTPUTS
Read	$V_{IL}$	$V_{IL}$	$V_{CC}$	$D_{OUT}$
Output Disable	$V_{IL}$	$V_{IH}$	$V_{CC}$	Hi-Z
Standby	$V_{IH}$	X <sup>3</sup>	$V_{CC}$	Hi-Z

**NOTES:**

- All voltages are with respect to network ground.
- $V_{PP}$  may be one diode voltage drop below  $V_{CC}$ , and can be connected directly to  $V_{CC}$ .
- X can be  $V_{IH}$  or  $V_{IL}$ .

**OPERATING TEMPERATURE RANGE**

PARAMETER	RATING (°C)
Operating temperature range: $T_{amb}$	<b>COMMERCIAL</b> 0 to +70
	<b>INDUSTRIAL</b> -40 to +85
	<b>AUTOMOTIVE</b> -40 to +125

## 256K-bit CMOS EPROM (32K × 8)

27C256

## DC ELECTRICAL CHARACTERISTICS

Over operating temperature range,  $+4.5V \leq V_{CC} \leq +5.5V$ 

SYMBOL	PARAMETER	TEST CONDITIONS	LIMITS			UNIT
			MIN	TYP <sup>3</sup>	MAX	
<b>Input current</b>						
$I_{IH}$	Leakage High	$V_{IN} = 5.5V = V_{CC}$		0.01	1.0	$\mu A$
$I_{IL}$	Leakage Low	$V_{IL} = 0V$		0.01	-1.0	$\mu A$
$I_{PP}$	$V_{PP}$ read	$V_{PP} = V_{CC}$			10	$\mu A$
<b>Output current</b>						
$I_{LO}$	Leakage	$\overline{OE}$ or $\overline{CE} = V_{IH}$ , $V_{OUT} = 5.5V = V_{CC}$	-1.0		1.0	$\mu A$
$I_{OS}$	Short circuit <sup>7, 9</sup>	$V_{OUT} = 0V$			100	mA
<b>Supply current</b>						
$I_{CC}$ TTL	Operating (TTL inputs) <sup>4, 6</sup>	$\overline{CE} = \overline{OE} = V_{IL}$ , $f = 11.1MHz$ $V_{PP} = V_{CC}$ , $O0 - O7 = 0mA$			30	mA
$I_{CC}$ CMOS	Operating (CMOS inputs) <sup>4, 6</sup>	$\overline{CE} = GND$ , $f = 11.1MHz$ Inputs = $V_{CC}$ or $GND$ , $I/O = 0mA$			15	mA
$I_{SB}$ TTL	Standby (TTL inputs) <sup>4</sup>	$\overline{CE} = V_{IH}$			1.0	mA
$I_{SB}$ CMOS	Standby (CMOS inputs) <sup>5</sup>	$\overline{CE} = V_{IH}$			100	$\mu A$
<b>Input voltage<sup>2</sup></b>						
$V_{IL}$	Low (TTL)	$V_{PP} = V_{CC}$	-0.5		0.8	V
$V_{IL}$	Low (CMOS)	$V_{PP} = V_{CC}$	-0.2		0.2	V
$V_{IH}$	High (TTL)	$V_{PP} = V_{CC}$	2.0		$V_{CC} + 0.5$	V
$V_{IH}$	High (CMOS)	$V_{PP} = V_{CC}$	$V_{CC} - 0.2$		0.8	V
$V_{PP}$	Read <sup>6</sup>	(Operating)	$V_{CC} - 0.7$		$V_{CC} + 0.2$	V
<b>Output voltage<sup>2</sup></b>						
$V_{OL}$	Low	$I_{OL} = 2.1mA$			0.45	V
$V_{OH}$	High	$I_{OH} = -2.5mA$	3.5			V
<b>Capacitance<sup>9</sup> <math>T_{amb} = 25^{\circ}C</math></b>						
$C_{IN}$	Address and control	$V_{CC} = 5.0V$ , $f = 1.0MHz$			6	pF
$C_{OUT}$	Outputs	$V_{IN} = 0V$ , $V_{OUT} = 0V$			12	pF

## NOTES:

1. Minimum DC input voltage is -0.5V. During transitions the inputs may undershoot to -2.0V for periods less than 20ns.
2. All voltages are with respect to network ground.
3. Typical limits are at  $V_{CC} = 5V$ ,  $T_{amb} = 25^{\circ}C$ .
4. TTL inputs: Spec  $V_{IL}$ ,  $V_{IH}$  levels.  
CMOS inputs:  $GND \pm 0.2V$  to  $V_{CC} \pm 0.2V$ .
5.  $\overline{CE}$  is  $V_{CC} \pm 0.2V$ . All other inputs can have any value within spec.
6. Maximum active power usage is the sum of  $I_{PP} + I_{CC}$  and is measured at a frequency of 11.1MHz.
7. Test one output at a time, duration should not exceed 1 second.
8.  $V_{PP}$  may be one diode voltage drop below  $V_{CC}$ , and can be connected directly to  $V_{CC}$ .
9. Guaranteed by design, not 100% tested.

# 256K-bit CMOS EPROM (32K × 8)

# 27C256

## AC ELECTRICAL CHARACTERISTICS

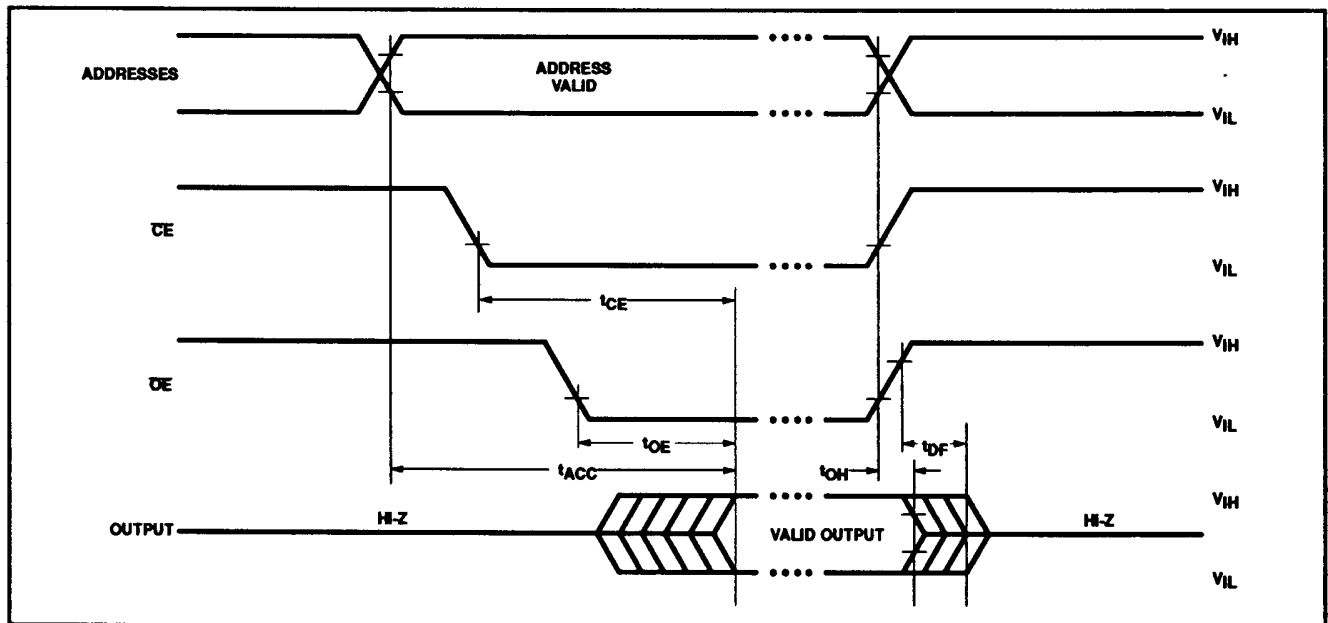
Over operating temperature range,  $+4.5V \leq V_{CC} \leq +5.5V$ ,  $R_L = 660\Omega$ ,  $C_L = 100pF^4$

SYMBOL	TO	FROM	27C256-90		27C256-12 27C256I12 27C256A12		27C256-15 27C256I15 27C256A15		27C256-17		27C256-20 27C256I20 27C256A20		UNIT
			MIN	MAX	MIN	MAX	MIN	MAX	MIN	MAX	MIN	MAX	
<b>Access time<sup>1</sup></b>													
$t_{ACC}$	Output	Address		90		120		150		170		200	ns
$t_{CE}$	Output	$\overline{CE}$		90		120		150		170		200	ns
$t_{OE}^3$	Output	$\overline{OE}$		40		60		65		70		75	ns
<b>Disable time<sup>2</sup></b>													
$t_{DF}$	Output Hi-Z	$\overline{OE}$		25		30		45		50		55	ns
$t_{OH}$	Output hold	Address, $\overline{CE}$ or $\overline{OE}$	0		0		0		0		0		ns

**NOTES:**

- AC characteristics are tested at  $V_{IH} = 2.4V$  and  $V_{IL} = 0.45V$ . Timing measurements made at  $V_{OL} = 0.8V$  and  $V_{OH} = 2.0V$ .
- Guaranteed by design, not 100% tested.
- $\overline{OE}$  may be delayed up to  $t_{CE} - t_{OE}$  after the falling edge of  $\overline{CE}$  without impact on  $t_{CE}$ .
- For 90ns part,  $C_L = 30pF$ .

## AC VOLTAGE WAVEFORMS



## AC TESTING LOAD CIRCUIT

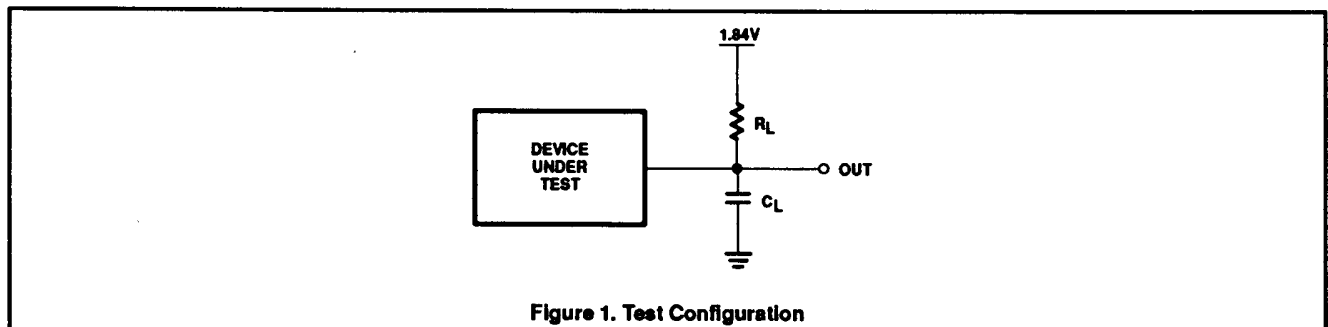


Figure 1. Test Configuration

**256K-bit CMOS EPROM (32K × 8)****27C256****PROGRAMMING INFORMATION**

Complete programming system specifications for both the intelligent programming method and for the quick-pulse programming method are available upon request from Signetics Memory Marketing.

Signetics encourages the purchase of programming equipment from a manufacturer who has a full line of programming products to offer. Signetics also encourages the manufacturers of EPROM programming equipment to submit their equipment for verification of electrical parameters and programming procedures. Information on manufacturers offering equipment certified by Signetics is available upon request from Signetics.

**PROGRAMMING THE 27C256**

**Caution:** Exceeding 14.0V on  $V_{PP}$  Pin may permanently damage the 27C256.

Initially, all bits of the 27C256 are in the "1" state. Data is introduced by selectively programming "0"s into the desired bit locations. Although only "0"s will be programmed, both "1"s and "0"s can be present in the data word.

The data to be programmed is applied 8 bits in parallel to the data output pins. The levels required for the address and data inputs are standard TTL logic levels.

**QUICK-PULSE PROGRAMMING ALGORITHM**

Signetics plastic EPROMs can be programmed using the quick-pulse programming algorithm to substantially reduce the through-put time in the production environment. This algorithm typically allows plastic devices to be programmed in under four seconds, a significant improvement over previous algorithms. Actual programming time is a function of the EPROM programming equipment being used.

The quick-pulse programming algorithm uses initial pulses of 100 $\mu$ s followed by a byte verification to determine when the address byte has been successfully programmed. Up to 28 100 $\mu$ s pulses per byte are provided before a failure is recognized (refer to the following pages for algorithm specifications).

**ERASURE CHARACTERISTICS**

The erasure characteristics of the 27C256 are such that erasure begins to occur upon exposure to light with wavelengths shorter than approximately 4000 Angstroms ( $\text{\AA}$ ). It should be noted that sunlight and certain types of fluorescent lamps have wavelengths in the 3000 - 4000  $\text{\AA}$  range. Data shows that constant exposure to room level fluorescent lighting could erase the typical 27C256 in approximately three years, while it would take approximately one week to cause erasure when exposed to direct sunlight. If the 27C256 is to be exposed to these types of lighting conditions for extended periods of time, opaque labels should be placed over the window to prevent unintentional erasure.

The recommended erasure procedure for the 27C256 is exposure to shortwave ultraviolet light which has a wavelength of 2537 Angstroms ( $\text{\AA}$ ). The integrated dose (i.e., UV intensity  $\times$  exposure time) for erasure should be minimum of 15Wsec/cm<sup>2</sup>. The erasure time with this dosage is approximately 15 to 20 minutes using an ultraviolet lamp with a 12,000 $\mu$ W/cm<sup>2</sup> power rating. The 27C256 should be placed within one inch of the lamp tubes during erasure. The maximum integrated dose a 27C256 can be exposed to without damage is 7258Wsec/cm<sup>2</sup> (1 week @ 12000 $\mu$ W/cm<sup>2</sup>). Exposure of these CMOS EPROMs to high intensity UV light for longer periods may cause permanent damage.

**INTELLIGENT PROGRAMMING ALGORITHM**

The 27C256 intelligent programming algorithms rapidly program CMOS EPROMs using an efficient and reliable method particularly suited to the production programming environment. Actual programming times may vary due to differences in programming equipment.

The intelligent identifier also provides the reading out of a binary code from an EPROM that will identify its manufacturer and type. This is intended for use by programming equipment for the purpose of automatically matching the device to be programmed with its corresponding programming algorithm. This mode is functional in the 25°  $\pm$  5°C ambient temperature range that is required when programming the 27C256. To activate this mode, the programming equipment must force 11.5V to 12.5V on address A9 of the 27C256. Two bytes may then be read from the device outputs by toggling address line A0 from  $V_{IL}$  to  $V_{IH}$ . The  $\overline{CE}$ ,  $\overline{OE}$  and all other address lines must be at  $V_{IL}$  during interrogation.

The identifier information for Signetics 27C256 is as follows:

When $A_0 = V_{IL}$ data is "Manufacturer"	15(HEX)
When $A_0 = V_{IH}$ data is "Product"	8C(HEX)

Programming reliability is also ensured as the incremental program margin of each byte is continually monitored to determine when it has been successfully programmed. The programming algorithm utilizes two different pulse types: initial and overprogram. The duration of the initial PGM pulse(s) is 1ms, which is then followed by a longer overprogram pulse of 3Xms. X is an iteration counter and is equal to the number of the initial 1ms pulses applied to a particular location before a correct verify occurs. Up to 25 1ms pulses per byte are provided for before the overprogram pulse is applied.

When the intelligent programming cycle has been completed, all bytes should be compared to the original data source with  $V_{CC} = 5.0V$  (refer to the following pages for algorithm specifications).

**CMOS NOISE CHARACTERISTICS**

Special epitaxial processing techniques have enabled Signetics to build CMOS with features that add to system reliability. These include input/output protection to latch-up for stresses up to 100mA on Address and Data pins that range from -1V to ( $V_{CC} + 1V$ ). In addition, the  $V_{PP}$  (Programming) pin is designed to resist latch-up to the 14V maximum device limit.

**SIGNETICS DISCOURAGES THE CONSTRUCTION AND USE OF "HOMEMADE" PROGRAMMING EQUIPMENT**

In order to consistently achieve excellent programming yields, periodic calibration of the programming equipment is required. Consult the equipment manufacturer for the recommended calibration interval. Signetics warranty for programmability extends only to product that has been programmed on certified equipment that has been serviced to the manufacturers recommendation.

**256K-bit CMOS EPROM (32K × 8)****27C256****INTELLIGENT PROGRAMMING ALGORITHM****DC PROGRAMMING CHARACTERISTICS**T<sub>amb</sub> = 25°C ±5°C, V<sub>CC</sub> = 6.0V ±0.25V, V<sub>PP</sub> = 12.5V ±0.5V

SYMBOL	PARAMETER	TEST CONDITIONS	LIMITS		UNIT
			MIN	MAX	
I <sub>I</sub>	Input current (all inputs)	V <sub>IN</sub> = V <sub>IL</sub> or V <sub>IH</sub>		1.0	μA
V <sub>IL</sub>	Input low level (all inputs)		-0.1	0.8	V
V <sub>IH</sub>	Input high level		2.4	6.5	V
V <sub>OL</sub>	Output low voltage during verify	I <sub>OL</sub> = 2.1mA		0.45	V
V <sub>OH</sub>	Output high voltage during verify	I <sub>OH</sub> = -2.5mA	3.5		V
I <sub>CC2</sub>	V <sub>CC</sub> supply current	00 - 15 = 0mA		50	mA
I <sub>PP2</sub>	V <sub>PP</sub> supply current (program)	CE = V <sub>IL</sub>		50	mA

**AC PROGRAMMING CHARACTERISTICS**

SYMBOL	PARAMETER	TEST CONDITIONS	LIMITS			UNIT
			MIN	TYP	MAX	
t <sub>AS</sub>	Address setup time		2			μs
t <sub>OES</sub>	OE setup time		2			μs
t <sub>DS</sub>	Data setup time		2			μs
t <sub>AH</sub>	Address hold time		0			μs
t <sub>DH</sub>	Data hold time		2			μs
t <sub>DFP</sub> <sup>3</sup>	OE high to output float delay		0		130	ns
t <sub>VPS</sub>	V <sub>PP</sub> setup time		2			μs
t <sub>VCS</sub>	V <sub>CC</sub> setup time		2			μs
t <sub>CES</sub>	CE setup time		2			μs
t <sub>PW</sub>	CE initial program pulse width	Note 1	0.95	1.0	1.05	ms
t <sub>OPW</sub>	CE overprogram pulse width	Note 2	2.85		78.75	ms
t <sub>OE</sub>	Data valid from OE				150	μs

**AC CONDITIONS OF TEST**

Input Rise and Fall Times (10% to 90%) ..... 20ns  
 Input Pulse Levels ..... 0.45V to 2.4V  
 Input Timing Reference Level ..... 0.8V and 2.0V  
 Output Timing Reference Level ..... 0.8V and 2.0V

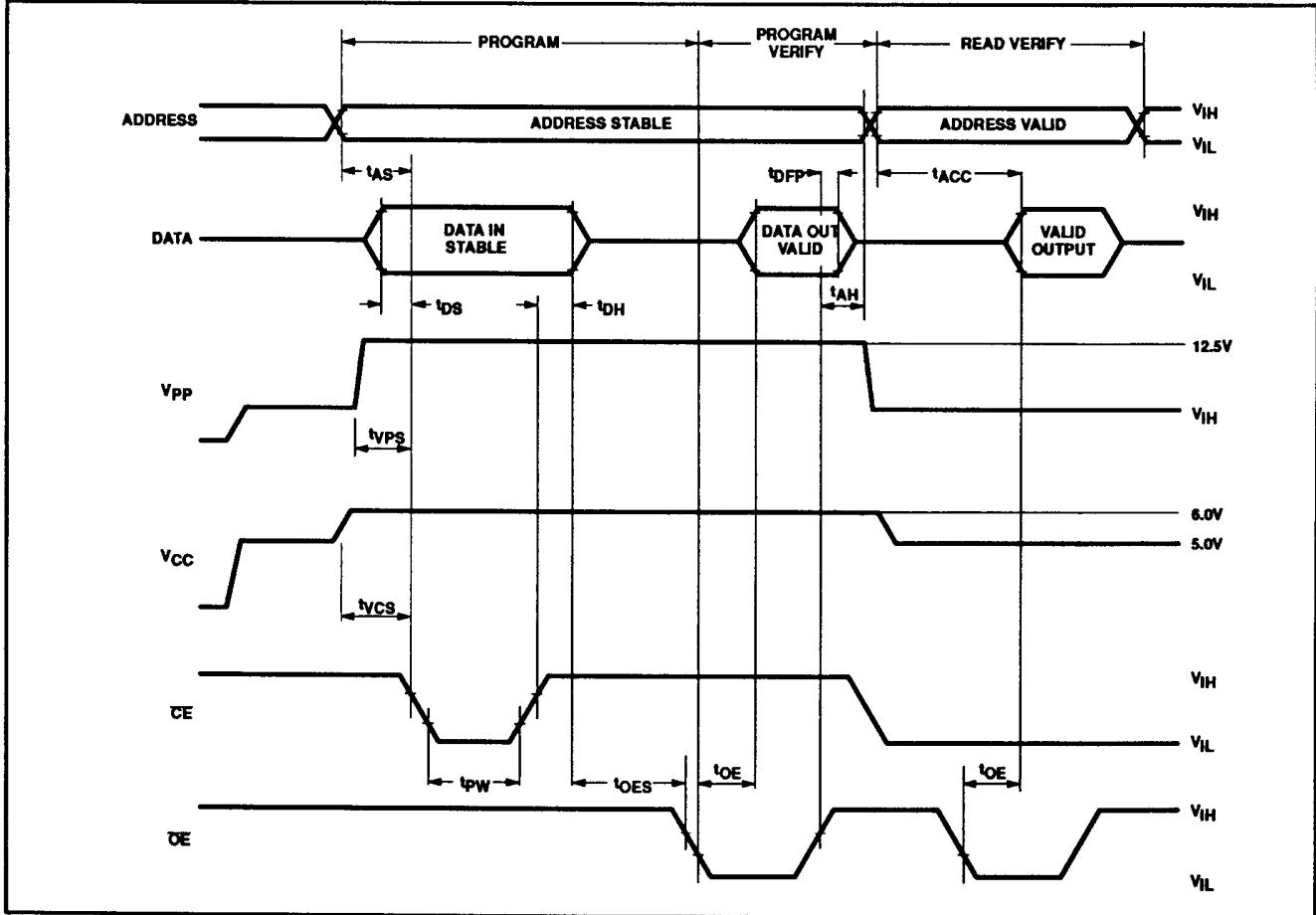
**NOTES:**

1. Initial program pulse width tolerance is 1ms ±5%.
2. The length of the overprogram pulse may vary from 2.85msec to 78.75msec as a function of iteration counter value X.
3. The parameter is only sampled and is not 100% tested. Output Float is defined as the point where data is no longer driven – see timing diagram.
4. During programming, a 0.1μf capacitor is required from V<sub>PP</sub> to GND node, to suppress voltage transients that can damage the device.

# 256K-bit CMOS EPROM (32K × 8)

# 27C256

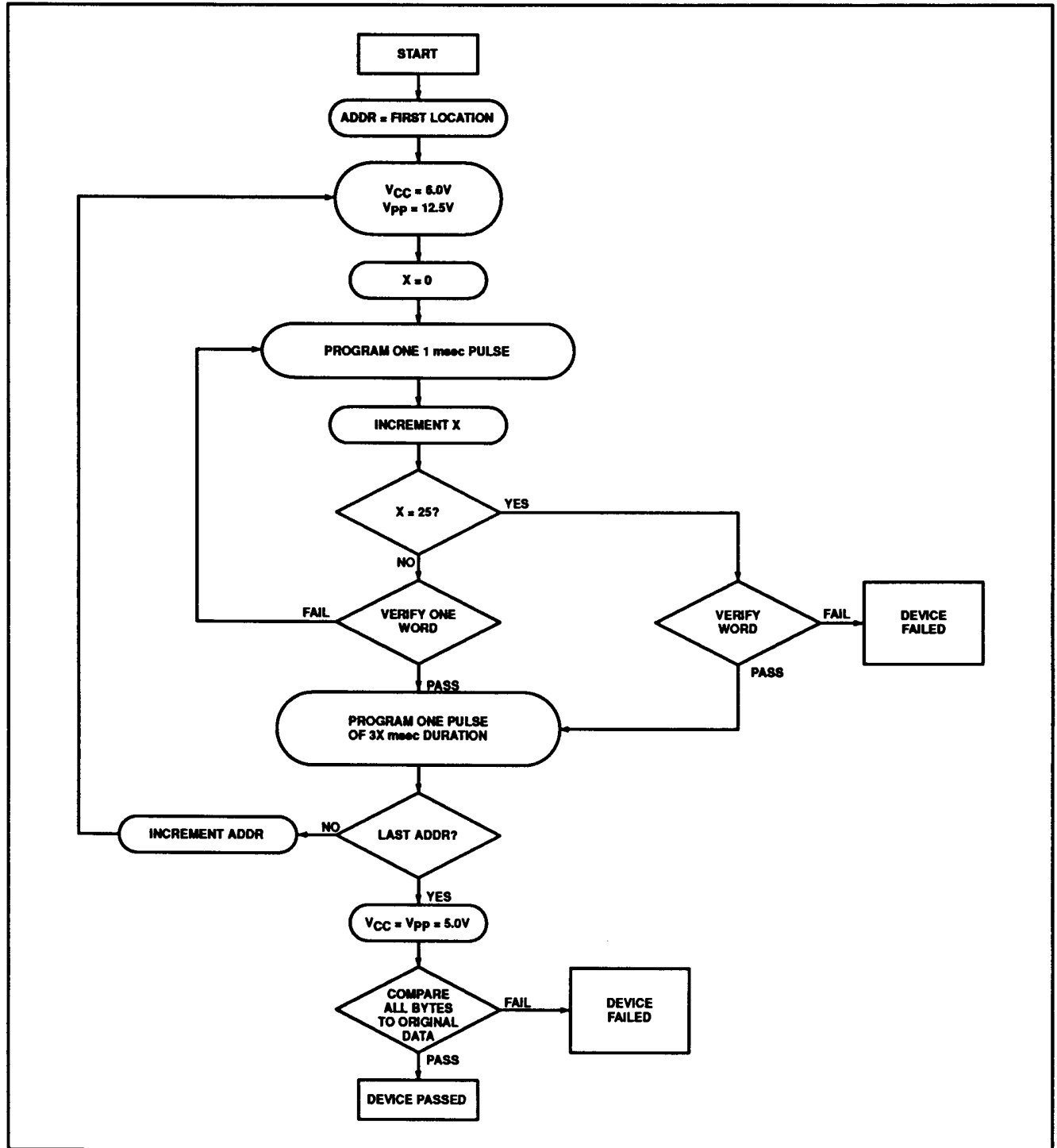
## INTELLIGENT PROGRAMMING ALGORITHM WAVEFORMS



# 256K-bit CMOS EPROM (32K × 8)

# 27C256

## INTELLIGENT PROGRAMMING ALGORITHM FLOWCHART





**256K-bit CMOS EPROM (32K × 8)****27C256****QUICK PULSE PROGRAMMING ALGORITHM****DC PROGRAMMING CHARACTERISTICS** $T_{amb} = 25^{\circ}\text{C} \pm 5^{\circ}\text{C}$ ,  $V_{CC} = 6.25\text{V} \pm 0.25\text{V}$ ,  $V_{PP} = 12.75\text{V} \pm 0.25\text{V}$ 

SYMBOL	PARAMETER	TEST CONDITIONS	LIMITS		UNIT
			MIN	MAX	
$I_i$	Input current (all inputs)	$V_{IN} = V_{IL}$ or $V_{IH}$		1.0	$\mu\text{A}$
$V_{IL}$	Input low level (all inputs)		-0.1	0.8	V
$V_{IH}$	Input high level		2.4	6.5	V
$V_{OL}$	Output low voltage during verify	$I_{OL} = 2.1\text{mA}$		0.45	V
$V_{OH}$	Output high voltage during verify	$I_{OH} = -2.5\text{mA}$	3.5		V
$I_{CC2}$	$V_{CC}$ supply current	$CO - 15 = 0\text{mA}$		50	mA
$I_{PP2}$	$V_{PP}$ supply current (program)	$CE = V_{IL}$		50	mA

**AC PROGRAMMING CHARACTERISTICS**

SYMBOL	PARAMETER	TEST CONDITIONS	LIMITS			UNIT
			MIN	TYP	MAX	
$t_{AS}$	Address setup time		2			$\mu\text{s}$
$t_{OES}$	OE setup time		2			$\mu\text{s}$
$t_{DS}$	Data setup time		2			$\mu\text{s}$
$t_{AH}$	Address hold time		0			$\mu\text{s}$
$t_{DH}$	Data hold time		2			$\mu\text{s}$
$t_{DFP}^3$	OE high to output float delay		0		130	ns
$t_{VPS}$	$V_{PP}$ setup time		2			$\mu\text{s}$
$t_{VCS}$	$V_{CC}$ setup time		2			$\mu\text{s}$
$t_{PW}$	CE initial program pulse width	Note 1	.095	0.100	0.105	ms
$t_{OPW}$	CE overprogram pulse width	Note 2	2.85		78.8	ms
$t_{OE}$	Data valid from OE				150	$\mu\text{s}$

**AC CONDITIONS OF TEST**

Input Rise and Fall Times (10% to 90%)	20ns
Input Pulse Levels	0.45V to 2.4V
Input Timing Reference Level	0.8V and 2.0V
Output Timing Reference Level	0.8V and 2.0V

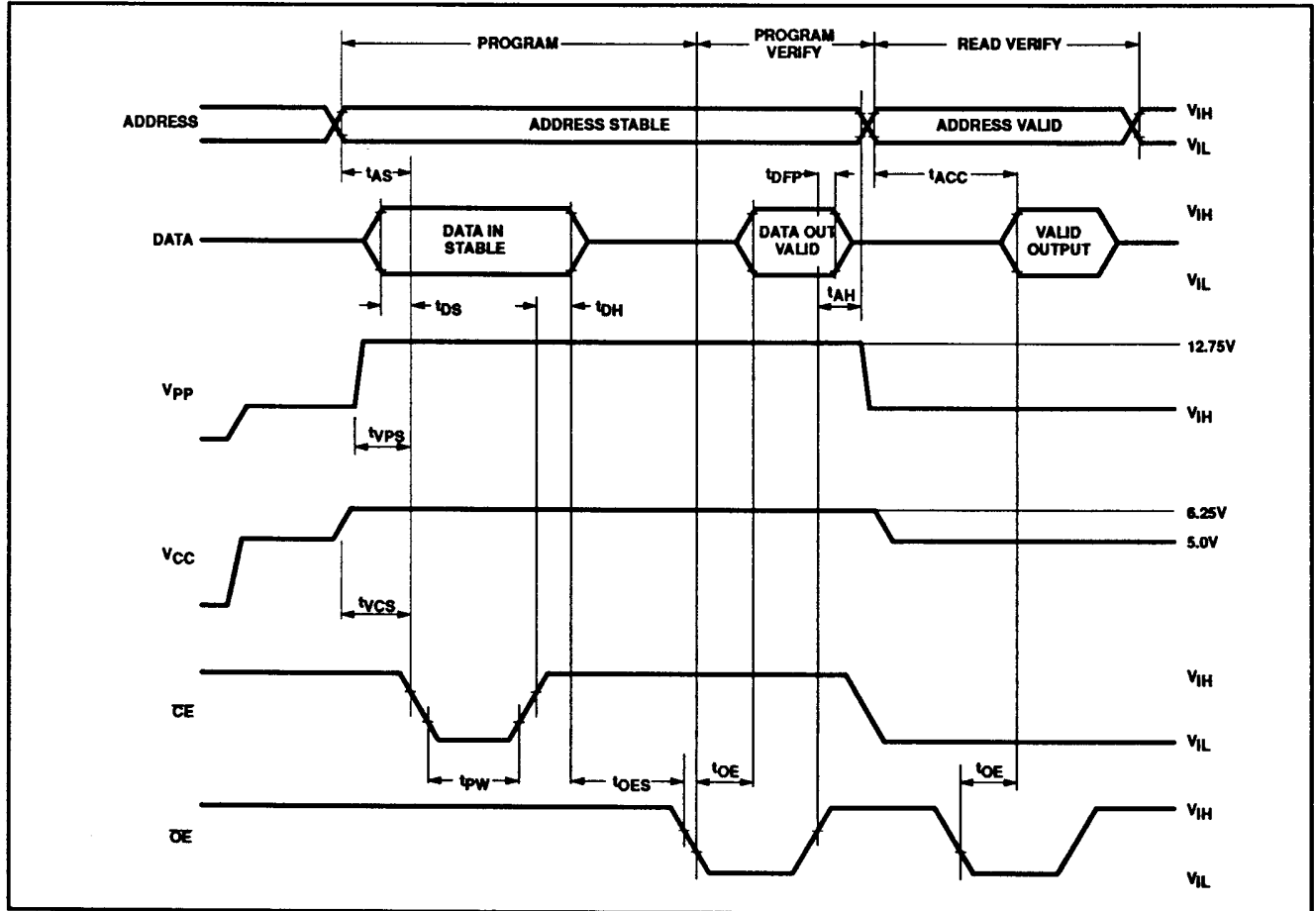
**NOTES:**

1. Initial program pulse width tolerance is  $1\text{ms} \pm 5\%$ .
2. The length of the overprogram pulse may vary from 2.85msec to 78.75msec as a function of iteration counter value X.
3. The parameter is only sampled and is not 100% tested. Output Float is defined as the point where data is no longer driven – see timing diagram.
4. During programming, a 0.1 $\mu\text{f}$  capacitor is required from  $V_{PP}$  to GND node, to suppress voltage transients that can damage the device.

# 256K-bit CMOS EPROM (32K × 8)

# 27C256

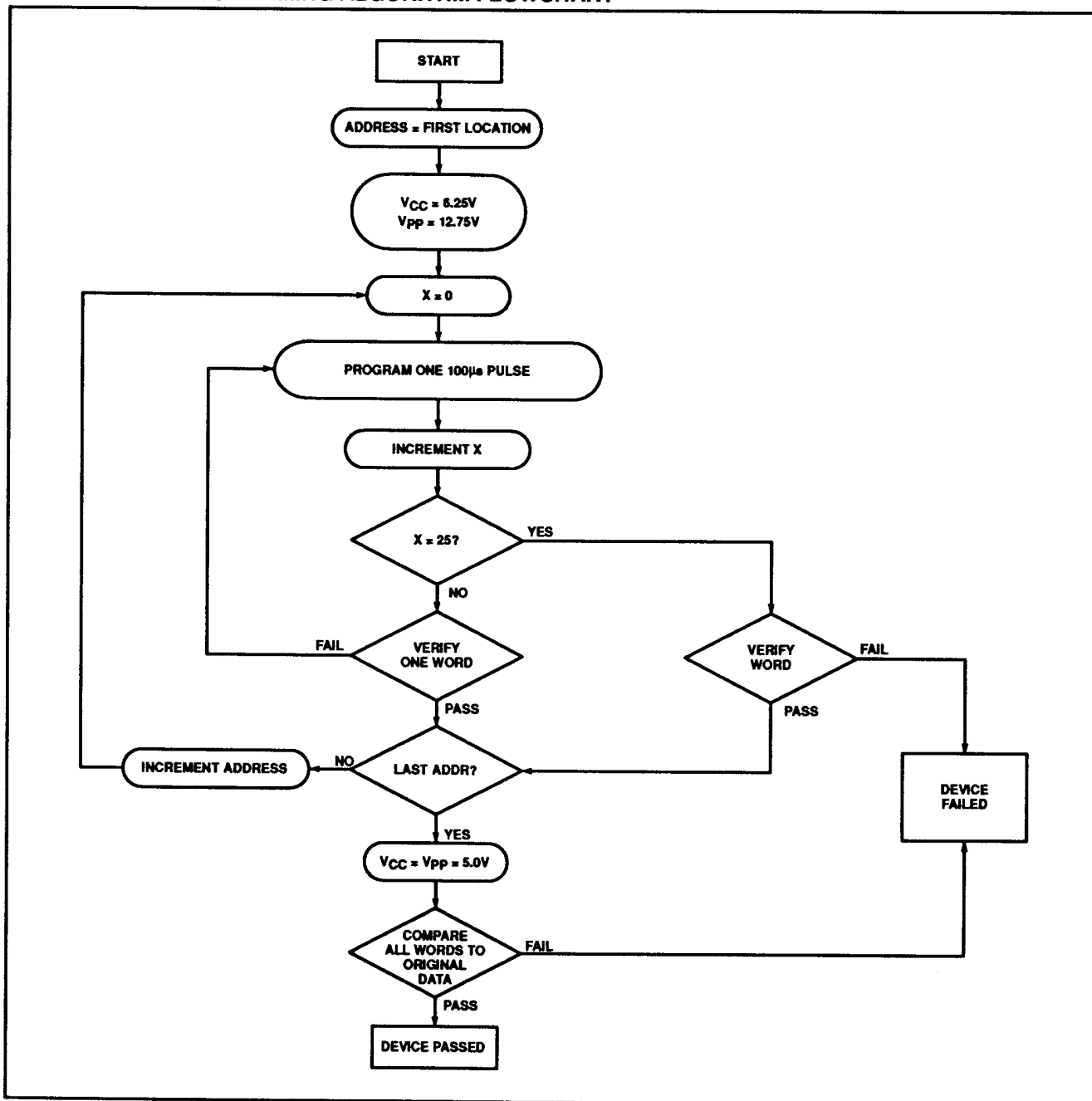
## QUICK PULSE PROGRAMMING ALGORITHM WAVEFORMS



# 256K-bit CMOS EPROM (32K × 8)

27C256

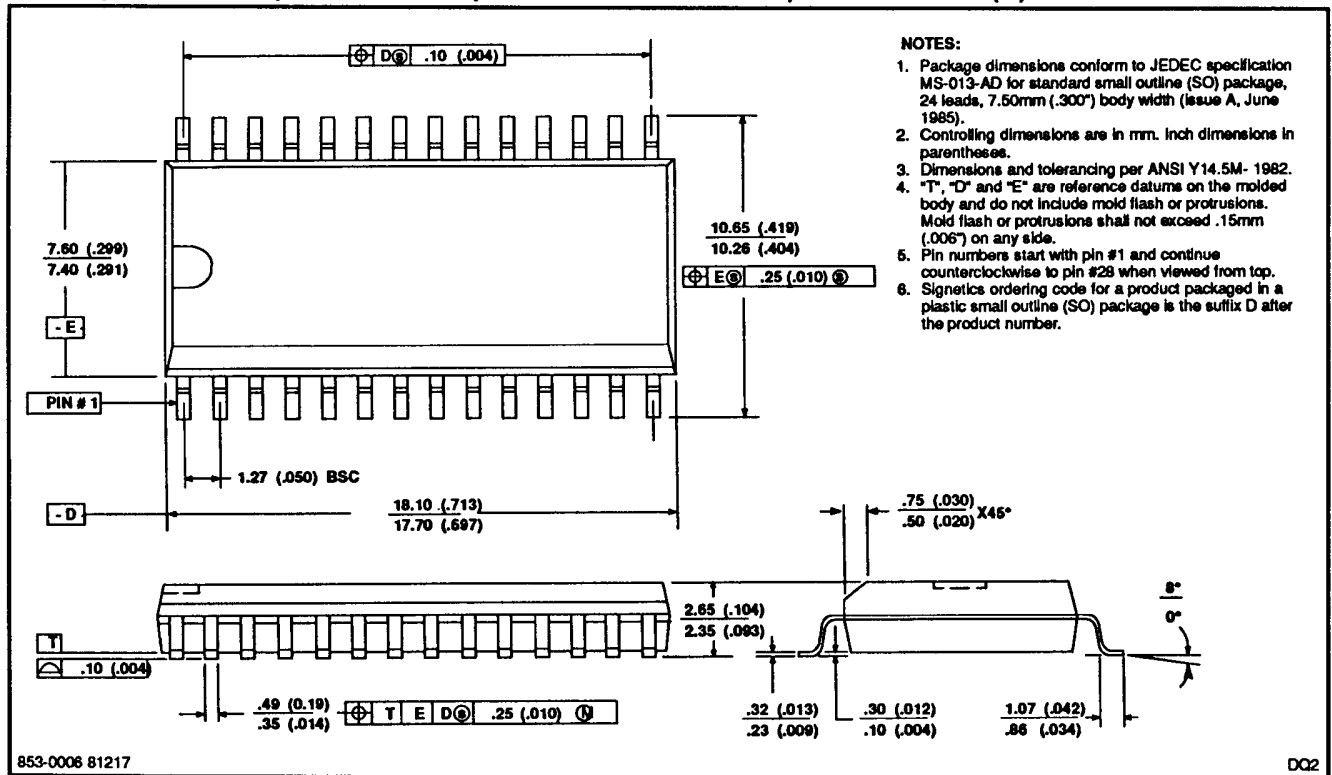
## QUICK PULSE PROGRAMMING ALGORITHM FLOWCHART



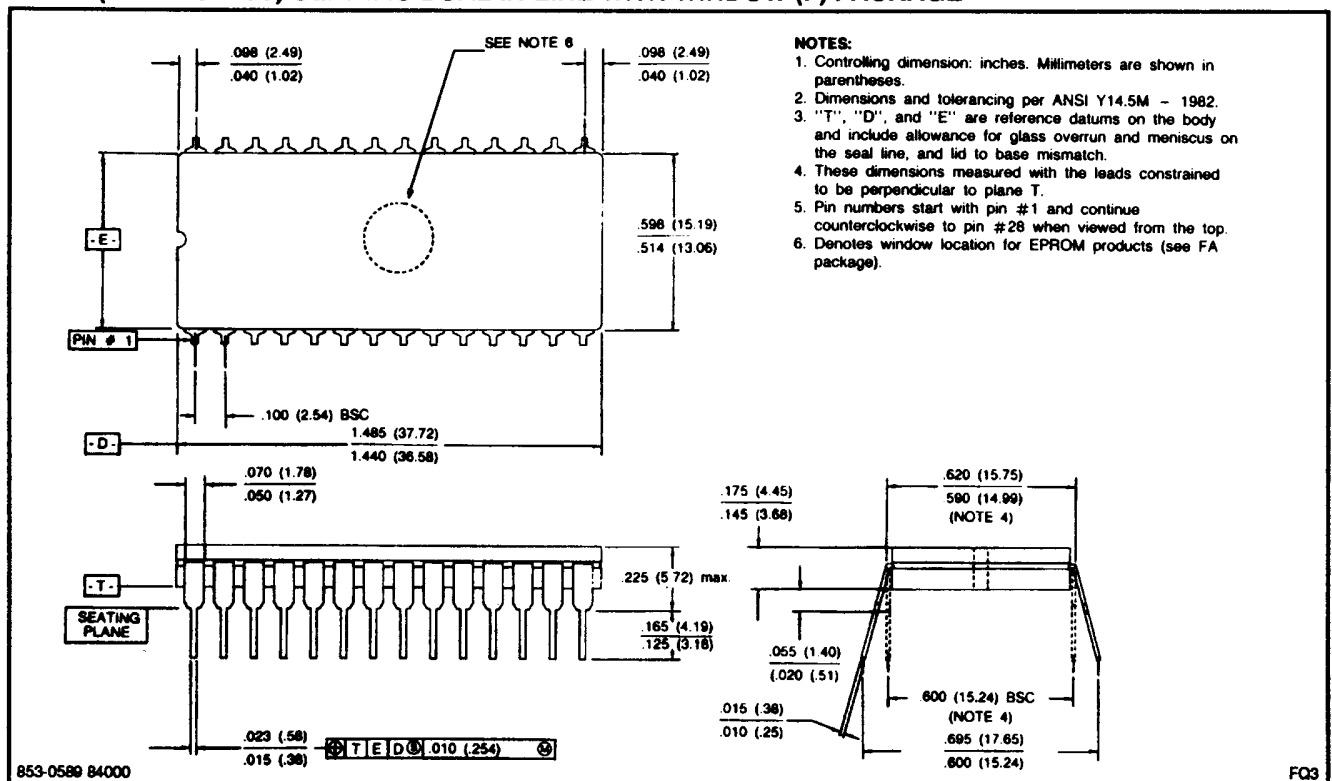
# 256K-bit CMOS EPROM (32K × 8)

# 27C256

## 28-PIN (300 mils wide) PLASTIC SOL (SMALL OUTLINE LARGE) DUAL IN-LINE (D) PACKAGE



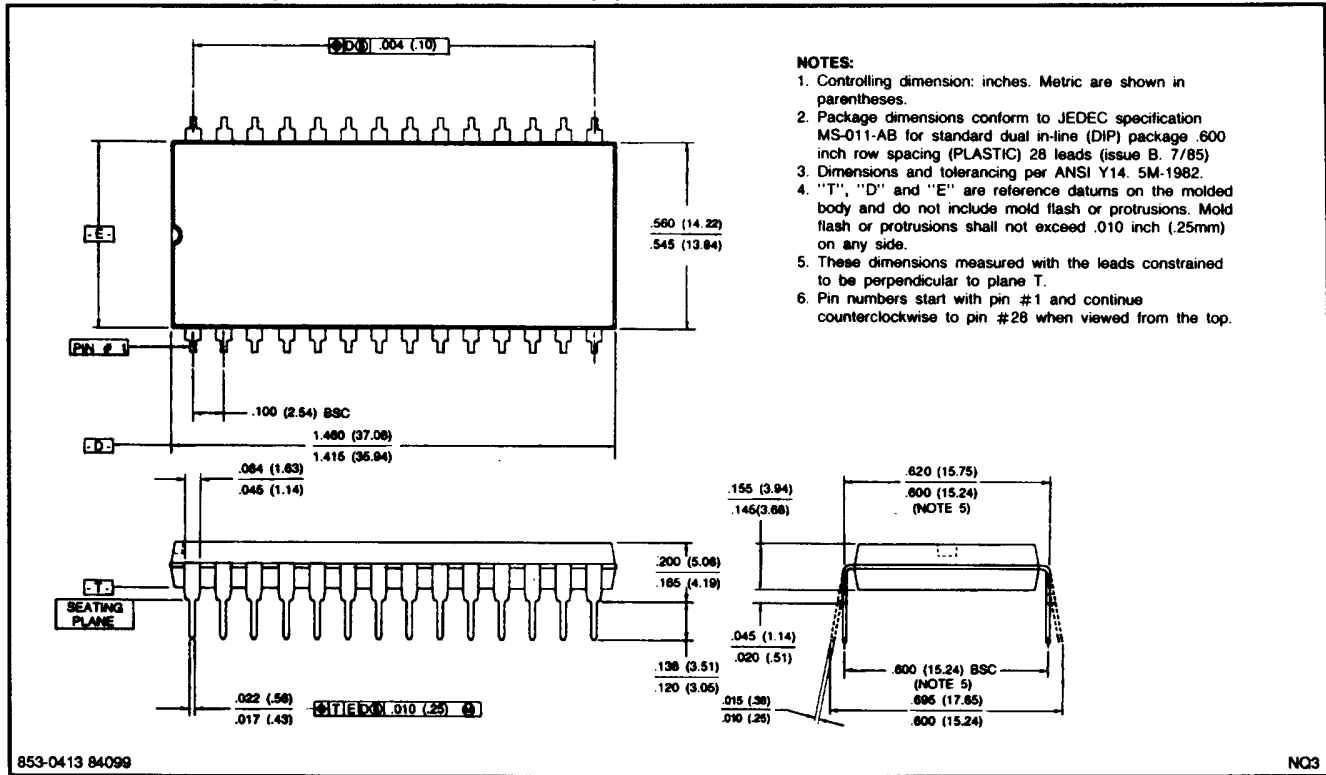
## 28-PIN (600 mils wide) CERAMIC DUAL IN-LINE WITH WINDOW (F) PACKAGE



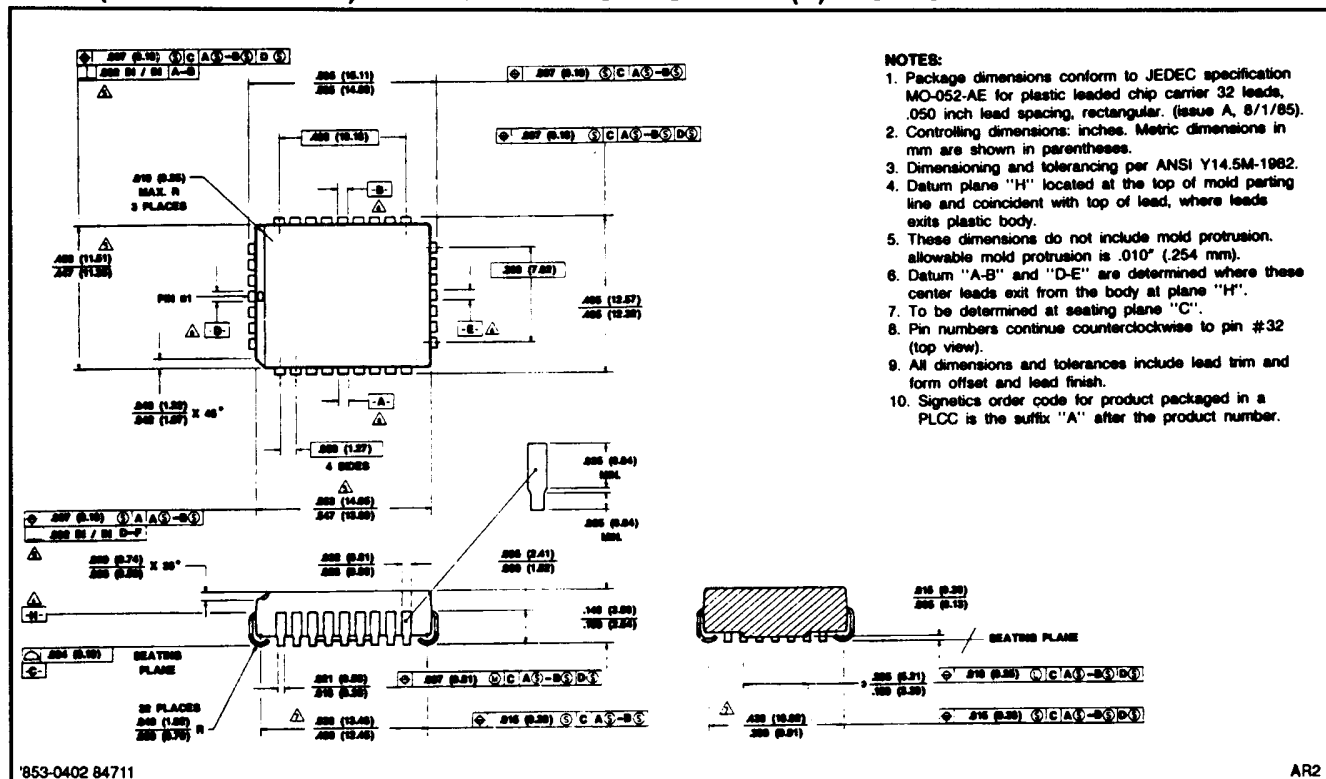
# 256K-bit CMOS EPROM (32K × 8)

# 27C256

## 28-PIN (600 mils wide) PLASTIC DUAL IN-LINE (N) PACKAGE



## 32-PIN (450 × 550 mils wide) PLASTIC LEADED CHIP CARRIER (A) PACKAGE



**256K-bit CMOS EPROM (32K × 8)****27C256****DEFINITIONS**

<b>Data Sheet Identification</b>	<b>Product Status</b>	<b>Definition</b>
<i>Objective Specification</i>	<b>Formative or In Design</b>	This data sheet contains the design target or goal specifications for product development. Specifications may change in any manner without notice.
<i>Preliminary Specification</i>	<b>Preproduction Product</b>	This data sheet contains preliminary data, and supplementary data will be published at a later date. Signetics reserves the right to make changes at any time without notice in order to improve design and supply the best possible product.
<i>Product Specification</i>	<b>Full Production</b>	This data sheet contains Final Specifications. Signetics reserves the right to make changes at any time without notice, in order to improve design and supply the best possible product.

Signetics reserves the right to make changes without notice in the products, including circuits, standard cells, and/or software, described or contained herein, in order to improve design and/or performance. Signetics assumes no responsibility or liability for the use of any of these products, conveys no license or title under any patent, copyright, or mask work right to these products, and makes no representations or warranties that these products are free from patent, copyright, or mask work infringement, unless otherwise specified. Applications that are described herein for any of these products are for illustrative purposes only. Signetics makes no representation or warranty that such applications will be suitable for the specified use without further testing or modification.

**LIFE SUPPORT APPLICATIONS**

Signetics Products are not designed for use in life support appliances, devices, or systems where malfunction of a Signetics Product can reasonably be expected to result in a personal injury. Signetics customers using or selling Signetics Products for use in such applications do so at their own risk, and agree to fully indemnify Signetics for any damages resulting from such improper use or sale.

# Signetics

a division of North American Philips Corporation

**Signetics Company**  
**811 East Arques Avenue**  
**P.O. Box 3409**  
**Sunnyvale, California 94088-3409**  
**Telephone 408/991-2000**

Signetics registers eligible circuits under  
the Semiconductor Chip Protection Act.  
©Copyright 1990 NAPC.  
All rights reserved. Printed in U.S.A.

98-6231-370      0382N/4M/CR1/1290