

M5M5W816WG -85L, 10L, 85H, 10H -85LI, 10LI, 85HI, 10HI

PRELIMINARY
Notice: This is not a final specification.
Some parametric limits are subject to change

8388608-BIT (524288-WORD BY 16-BIT) CMOS STATIC RAM

Those are summarized in the part name table below.

DESCRIPTION

The M5M5W816 is a family of low voltage 8-Mbit static RAMs organized as 524288-words by 16-bit, fabricated by Mitsubishi's high-performance 0.18µm CMOS technology.

The M5M5W816 is suitable for memory applications where a simple interfacing, battery operating and battery backup are the important design objectives.

M5M5W816WG is packaged in a CSP (chip scale package), with the outline of 7.0mm x 8.5mm, ball matrix of 6 x 8 (48ball) and ball pitch of 0.75mm. It gives the best solution for a compaction of mounting area as well as flexibility of wiring pattern of printed circuit boards.

From the point of operating temperature, the family is divided into two versions; "Standard" and "I-version".

FEATURES

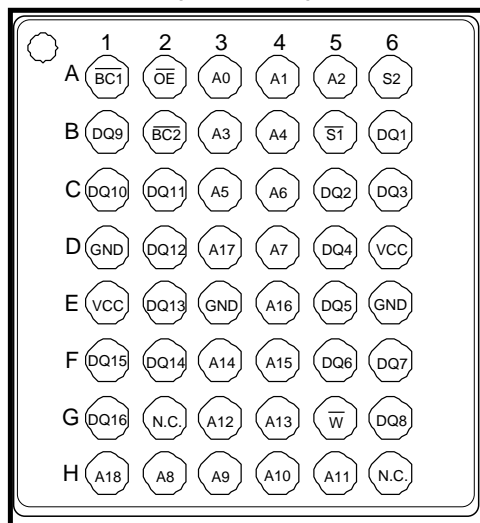
- Single 1.8~2.7V power supply
- Small stand-by current: 0.1µA (2.7V, typ.)
- No clocks, No refresh
- Data retention supply voltage =1.0V
- All inputs and outputs are TTL compatible.
- Easy memory expansion by $\overline{S1}$, S2, $\overline{BC1}$ and $\overline{BC2}$
- Common Data I/O
- Three-state outputs: OR-tie capability
- OE prevents data contention in the I/O bus
- Process technology: 0.18µm CMOS
- Package: 48ball 7.0mm x 8.5mm CSP

Version, Operating temperature	Part name	Power Supply	Access time max.	Stand-by current (Vcc=2.7V)						Active current Icc1 (2.7V, typ.)
				* Typical		Ratings (max.)				
				25°C	40°C	25°C	40°C	70°C	85°C	
Standard 0 ~ +70°C	M5M5W816WG -85L	1.8 ~ 2.7V	85ns	0.1	0.2	---	---	16	---	40mA (10MHz) 5mA (1MHz)
	M5M5W816WG -10L		100ns							
	M5M5W816WG -85H	1.8 ~ 2.7V	85ns	0.1	0.2	1	2	8	---	
	M5M5W816WG -10H		100ns							
I-version -40 ~ +85°C	M5M5W816WG -85LI	1.8 ~ 2.7V	85ns	0.1	0.2	---	---	16	30	
	M5M5W816WG -10LI		100ns							
	M5M5W816WG -85HI	1.8 ~ 2.7V	85ns	0.1	0.2	1	2	8	15	
	M5M5W816WG -10HI		100ns							

* Typical parameter indicates the value for the center of distribution, and not 100% tested.

PIN CONFIGURATION

(TOP VIEW)



Pin	Function
A0 ~ A18	Address input
DQ1 ~ DQ16	Data input / output
$\overline{S1}$	Chip select input 1
S2	Chip select input 2
\overline{W}	Write control input
\overline{OE}	Output enable input
$\overline{BC1}$	Lower Byte (DQ1 ~ 8)
$\overline{BC2}$	Upper Byte (DQ9 ~ 16)
Vcc	Power supply
GND	Ground supply

Outline: 48FHA
NC: No Connection

M5M5W816WG -85L, 10L, 85H, 10H -85LI, 10LI, 85HI, 10HI

PRELIMINARY

Notice: This is not a final specification.
Some parametric limits are subject to change

8388608-BIT (524288-WORD BY 16-BIT) CMOS STATIC RAM

FUNCTION

The M5M5W816WG is organized as 524288-words by 16-bit. These devices operate on a single +1.8~2.7V power supply, and are directly TTL compatible to both input and output. Its fully static circuit needs no clocks and no refresh, and makes it useful.

The operation mode are determined by a combination of the device control inputs $\overline{BC1}$, $\overline{BC2}$, $\overline{S1}$, $S2$, \overline{W} and \overline{OE} . Each mode is summarized in the function table.

A write operation is executed whenever the low level \overline{W} overlaps with the low level $\overline{BC1}$ and/or $\overline{BC2}$ and the low level $\overline{S1}$ and the high level $S2$. The address(A0~A18) must be set up before the write cycle and must be stable during the entire cycle.

A read operation is executed by setting \overline{W} at a high level and \overline{OE} at a low level while $\overline{BC1}$ and/or $\overline{BC2}$ and $\overline{S1}$ and $S2$ are in an active state($\overline{S1}=L, S2=H$).

When setting $\overline{BC1}$ at the high level and other pins are in an active stage, upper-byte are in a selectable mode in which both reading and writing are enabled, and lower-byte are in a non-selectable mode. And when setting $\overline{BC2}$ at a high level and other pins are in an active stage, lower-byte are in a selectable mode and upper-byte are in a non-selectable mode.

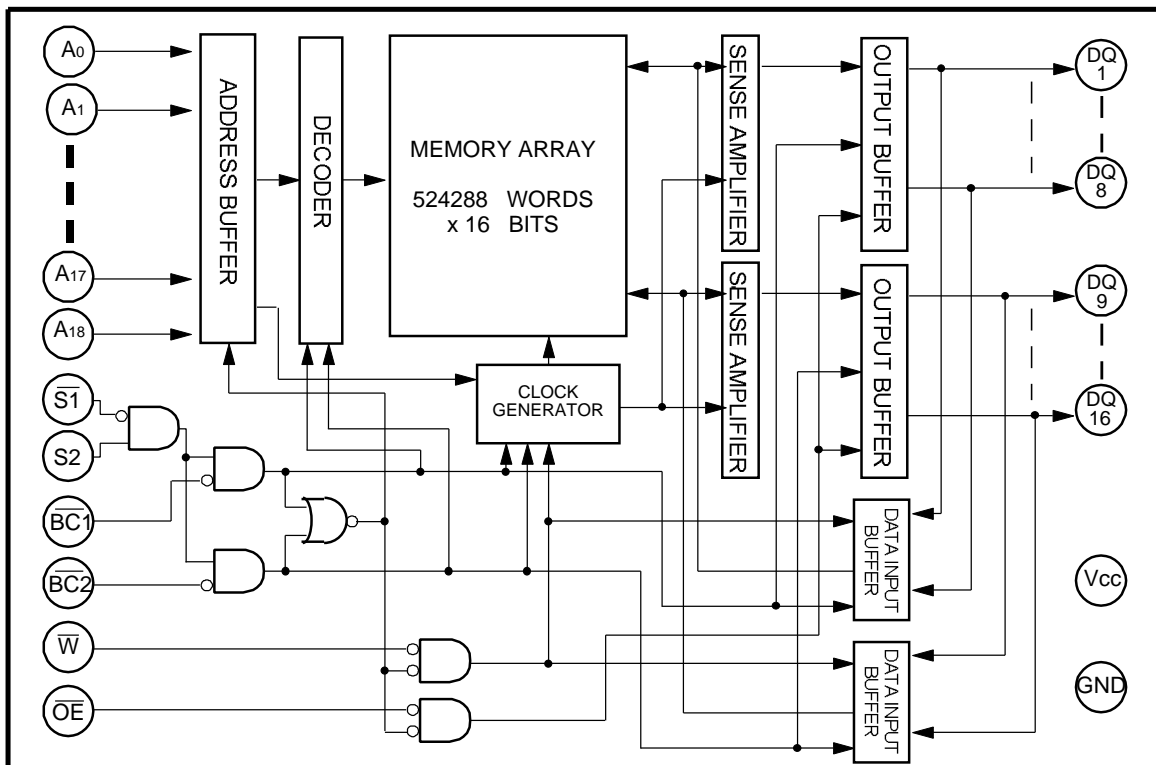
When setting $\overline{BC1}$ and $\overline{BC2}$ at a high level or $\overline{S1}$ at a high level or $S2$ at a low level, the chips are in a non-selectable mode in which both reading and writing are disabled. In this mode, the output stage is in a high-impedance state, allowing OR-tie with other chips and memory expansion by $\overline{BC1}$, $\overline{BC2}$ and $\overline{S1}$, $S2$.

The power supply current is reduced as low as 0.1 μ A(25 $^{\circ}$ C, typical), and the memory data can be held at +1V power supply, enabling battery back-up operation during power failure or power-down operation in the non-selected mode.

FUNCTION TABLE

$\overline{S1}$	$S2$	$\overline{BC1}$	$\overline{BC2}$	\overline{W}	\overline{OE}	Mode	DQ1-8	DQ9-16	Icc
H	L	X	X	X	X	Non selection	High-Z	High-Z	Standby
L	L	X	X	X	X	Non selection	High-Z	High-Z	Standby
H	H	X	X	X	X	Non selection	High-Z	High-Z	Standby
X	X	H	H	X	X	Non selection	High-Z	High-Z	Standby
L	H	L	H	L	X	Write	Din	High-Z	Active
L	H	L	H	H	L	Read	Dout	High-Z	Active
L	H	L	H	H	H	————	High-Z	High-Z	Active
L	H	H	L	L	X	Write	High-Z	Din	Active
L	H	H	L	H	L	Read	High-Z	Dout	Active
L	H	H	L	H	H	————	High-Z	High-Z	Active
L	H	L	L	L	X	Write	Din	Din	Active
L	H	L	L	H	L	Read	Dout	Dout	Active
L	H	L	L	H	H	————	High-Z	High-Z	Active

BLOCK DIAGRAM



M5M5W816WG -85L, 10L, 85H, 10H

-85LI, 10LI, 85HI, 10HI

PRELIMINARY

Notice: This is not a final specification.
Some parametric limits are subject to change

8388608-BIT (524288-WORD BY 16-BIT) CMOS STATIC RAM

ABSOLUTE MAXIMUM RATINGS

Symbol	Parameter	Conditions	Ratings	Units
V _{CC}	Supply voltage	With respect to GND	-0.5* ~ +4.6	V
V _I	Input voltage	With respect to GND	-0.2* ~ V _{CC} + 0.2 (max. 4.6V)	
V _O	Output voltage	With respect to GND	0 ~ V _{CC}	
P _d	Power dissipation	T _a =25 °C	700	mW
T _a	Operating temperature	Standard (-L, -H)	0 ~ +70	°C
		I-version (-LI, -HI)	-40 ~ +85	
T _{stg}	Storage temperature		-65 ~ +150	°C

* -3.0V in case of AC (Pulse width ≤ 30ns)

DC ELECTRICAL CHARACTERISTICS

(V_{CC}=1.8 ~ 2.7V, unless otherwise noted)

Symbol	Parameter	Conditions	Limits			Units		
			Min	Typ	Max			
V _{IH}	High-level input voltage		0.7 x V _{CC}		V _{CC} +0.2V	V		
V _{IL}	Low-level input voltage		-0.2 *		0.4			
V _{OH}	High-level output voltage	I _{OH} = -0.1mA	1.6					
V _{OL}	Low-level output voltage	I _{OL} =0.1mA			0.2			
I _I	Input leakage current	V _I =0 ~ V _{CC}			±1	μA		
I _O	Output leakage current	$\overline{BC1}$ and $\overline{BC2}$ =V _{IH} or $\overline{S1}$ =V _{IH} or $\overline{S2}$ =V _{IH} or \overline{OE} =V _{IH} , V _{I/O} =0 ~ V _{CC}			±1	μA		
I _{CC1}	Active supply current (AC, MOS level)	$\overline{BC1}$ and $\overline{BC2}$ ≤ 0.2V, $\overline{S1}$ ≤ 0.2V, $\overline{S2}$ ≥ V _{CC} -0.2V other inputs ≤ 0.2V or ≥ V _{CC} -0.2V Output - open (duty 100%)	f= 10MHz	-	40	50	mA	
			f= 1MHz	-	5	10		
I _{CC2}	Active supply current (AC, TTL level)	$\overline{BC1}$ and $\overline{BC2}$ =V _{IL} , $\overline{S1}$ =V _{IL} , $\overline{S2}$ =V _{IH} other pins =V _{IH} or V _{IL} Output - open (duty 100%)	f= 10MHz	-	40	50	mA	
			f= 1MHz	-	5	10		
I _{CC3}	Stand by supply current (AC, MOS level)	(1) $\overline{S1}$ ≥ V _{CC} - 0.2V, other inputs = 0 ~ V _{CC} (2) $\overline{S2}$ ≥ 0.2V, other inputs = 0 ~ V _{CC} (3) $\overline{BC1}$ and $\overline{BC2}$ ≥ V _{CC} - 0.2V $\overline{S1}$ ≤ 0.2V, $\overline{S2}$ ≥ V _{CC} - 0.2V other inputs = 0 ~ V _{CC}	-H, -HI	~ +25°C	-	0.1	1	μA
				~ +40°C	-	0.2	2	
				~ +70°C	-	-	8	
			-HI	~ +85°C	-	-	15	
			-L, -LI	~ +70°C	-	-	16	
	~ +85°C	-	-	30				
I _{CC4}	Stand by supply current (AC, TTL level)	$\overline{BC1}$ and $\overline{BC2}$ =V _{IH} or $\overline{S1}$ =V _{IH} or $\overline{S2}$ =V _{IL} Other inputs = 0 ~ V _{CC}	-	-	0.5	mA		

Note 1: Direction for current flowing into IC is indicated as positive (no mark)

* -1.0V in case of AC (Pulse width ≤ 30ns)

Note 2: Typical parameter indicates the value for the center of distribution at 2.7V, and not 100% tested.

CAPACITANCE

(V_{CC}=1.8 ~ 2.7V, unless otherwise noted)

Symbol	Parameter	Conditions	Limits			Units
			Min	Typ	Max	
C _I	Input capacitance	V _I =GND, V _I =25mVrms, f=1MHz			10	pF
C _O	Output capacitance	V _O =GND, V _O =25mVrms, f=1MHz			10	



M5M5W816WG -85L, 10L, 85H, 10H -85LI, 10LI, 85HI, 10HI

PRELIMINARY

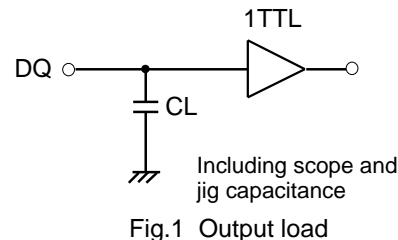
Notice: This is not a final specification.
Some parametric limits are subject to change

8388608-BIT (524288-WORD BY 16-BIT) CMOS STATIC RAM

AC ELECTRICAL CHARACTERISTICS (V_{CC}=1.8 ~ 2.7V, unless otherwise noted)

(1) TEST CONDITIONS

Supply voltage	1.8~2.7V
Input pulse	V _{IH} =0.7 x V _{CC} , V _{IL} =0.2V
Input rise time and fall time	5ns
Reference level	V _{OH} =V _{OL} =0.9V <small>Transition is measured ±200mV from steady state voltage.(for ten,tdis)</small>
Output loads	Fig.1,CL=30pF CL=5pF (for ten,tdis)



(2) READ CYCLE

Symbol	Parameter	Limits				Units
		85L, 85H, 85LI, 85HI		10L, 10H, 10LI, 10HI		
		Min	Max	Min	Max	
t _{CR}	Read cycle time	85		100		ns
t _{a(A)}	Address access time		85		100	ns
t _{a(S1)}	Chip select 1 access time		85		100	ns
t _{a(S2)}	Chip select 2 access time		85		100	ns
t _{a(BC1)}	Byte control 1 access time		85		100	ns
t _{a(BC2)}	Byte control 2 access time		85		100	ns
t _{a(OE)}	Output enable access time		45		50	ns
t _{dis(S1)}	Output disable time after S1 high		30		35	ns
t _{dis(S2)}	Output disable time after S2 low		30		35	ns
t _{dis(BC1)}	Output disable time after BC1 high		30		35	ns
t _{dis(BC2)}	Output disable time after BC2 high		30		35	ns
t _{dis(OE)}	Output disable time after OE high		30		35	ns
t _{en(S1)}	Output enable time after S1 low	10		10		ns
t _{en(S2)}	Output enable time after S2 high	10		10		ns
t _{dis(BC1)}	Output enable time after BC1 low	10		10		ns
t _{dis(BC2)}	Output enable time after BC2 low	10		10		ns
t _{en(OE)}	Output enable time after OE low	5		5		ns
t _{v(A)}	Data valid time after address	10		10		ns

(3) WRITE CYCLE

Symbol	Parameter	Limits				Units
		85L, 85H, 85LI, 85HI		10L, 10H, 10LI, 10HI		
		Min	Max	Min	Max	
t _{CW}	Write cycle time	85		100		ns
t _{w(W)}	Write pulse width	60		75		ns
t _{su(A)}	Address setup time	0		0		ns
t _{su(A-WH)}	Address setup time with respect to \bar{W}	70		85		ns
t _{su(BC1)}	Byte control 1 setup time	70		85		ns
t _{su(BC2)}	Byte control 2 setup time	70		85		ns
t _{su(S1)}	Chip select 1 setup time	70		85		ns
t _{su(S2)}	Chip select 2 setup time	70		85		ns
t _{su(D)}	Data setup time	45		50		ns
t _{h(D)}	Data hold time	0		0		ns
t _{rec(W)}	Write recovery time	0		0		ns
t _{dis(W)}	Output disable time from \bar{W} low		30		35	ns
t _{dis(OE)}	Output disable time from \bar{OE} high		30		35	ns
t _{en(W)}	Output enable time from \bar{W} high	5		5		ns
t _{en(OE)}	Output enable time from \bar{OE} low	5		5		ns

M5M5W816WG -85L, 10L, 85H, 10H -85LI, 10LI, 85HI, 10HI

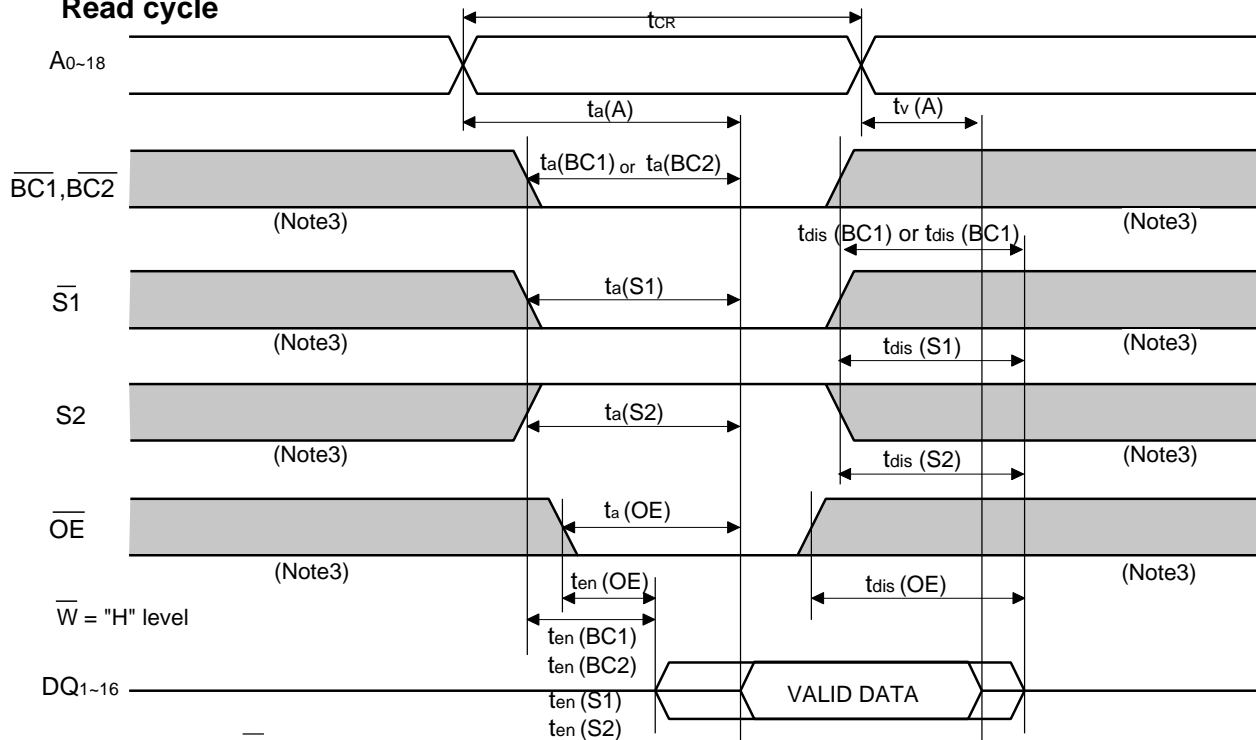
PRELIMINARY

Notice: This is not a final specification.
Some parametric limits are subject to change

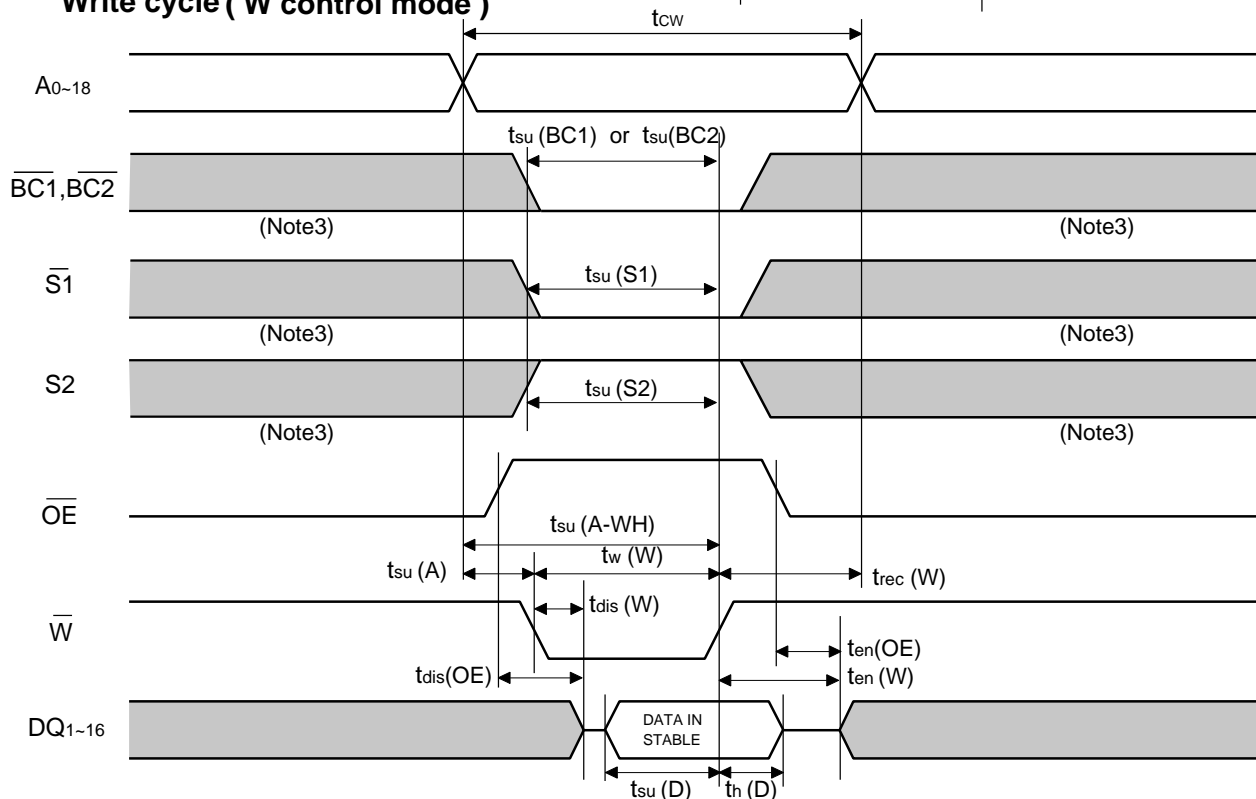
8388608-BIT (524288-WORD BY 16-BIT) CMOS STATIC RAM

(4)TIMING DIAGRAMS

Read cycle



Write cycle (\bar{W} control mode)



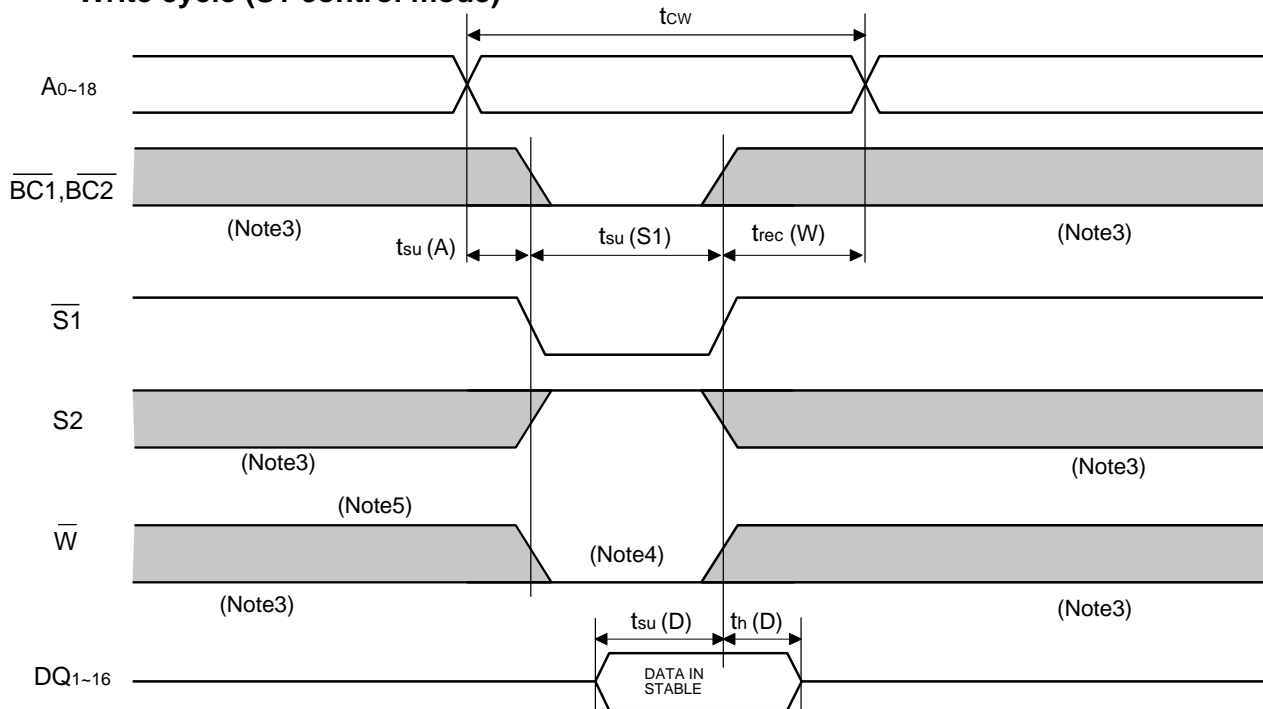
M5M5W816WG -85L, 10L, 85H, 10H -85LI, 10LI, 85HI, 10HI

PRELIMINARY

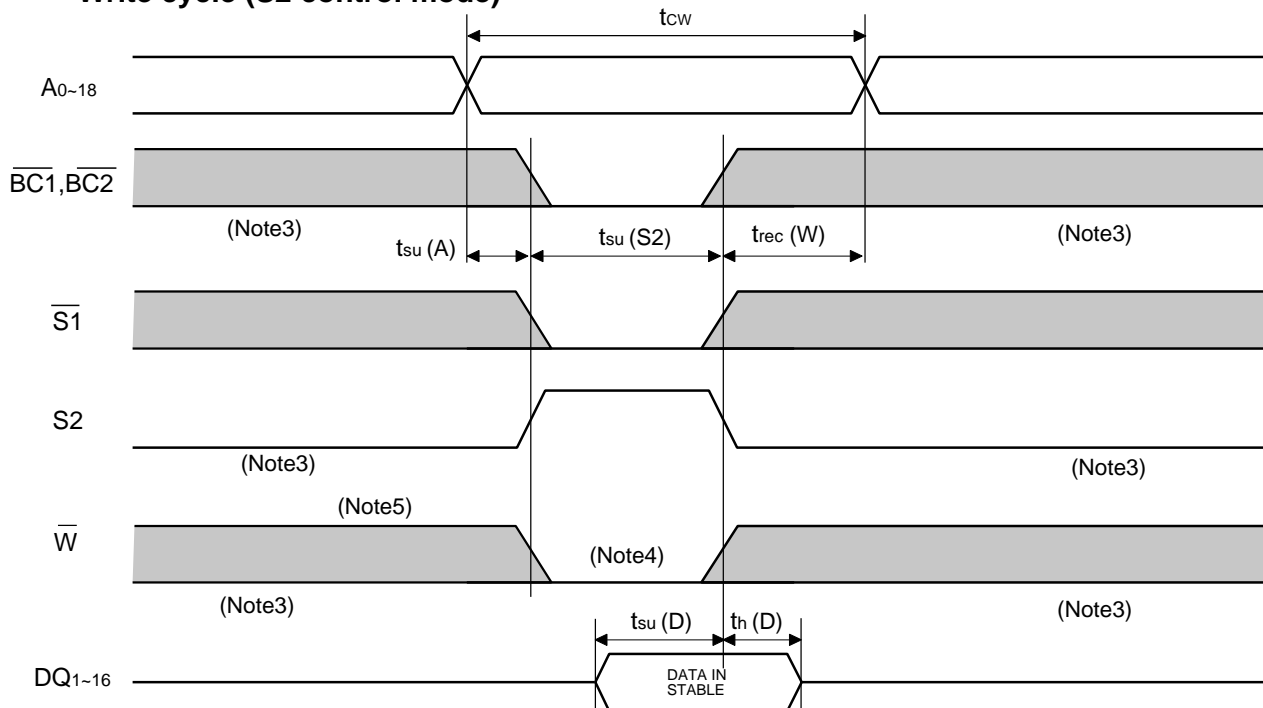
Notice: This is not a final specification.
Some parametric limits are subject to change

8388608-BIT (524288-WORD BY 16-BIT) CMOS STATIC RAM

Write cycle ($\overline{S1}$ control mode)



Write cycle ($S2$ control mode)



M5M5W816WG -85L, 10L, 85H, 10H -85LI, 10LI, 85HI, 10HI

PRELIMINARY

Notice: This is not a final specification.
Some parametric limits are subject to change

8388608-BIT (524288-WORD BY 16-BIT) CMOS STATIC RAM

POWER DOWN CHARACTERISTICS

(1) ELECTRICAL CHARACTERISTICS

Symbol	Parameter	Test conditions	Limits			Units			
			Min	Typ	Max				
V _{CC} (PD)	Power down supply voltage		1.0			V			
V _I (BC)	Byte control input $\overline{BC1}$ & $\overline{BC2}$	$1.8V \leq V_{CC}(PD)$	$0.7 \times V_{CC}$			V			
		$1.0V \leq V_{CC}(PD) \leq 1.8V$		$V_{CC}(PD)$					
V _I ($\overline{S1}$)	Chip select input $\overline{S1}$	$1.8V \leq V_{CC}(PD)$	$0.7 \times V_{CC}$			V			
		$1.0V \leq V_{CC}(PD) \leq 1.8V$		$V_{CC}(PD)$					
V _I (S2)	Chip select input S2				0.2				
I _{CC} (PD)	Power down supply current	V _{CC} =1.0V (1) $\overline{S1} \geq V_{CC} - 0.2V$, other inputs = 0 ~ V _{CC} (2) $S2 \geq 0.2V$, other inputs = 0 ~ V _{CC} (3) $\overline{BC1}$ and $\overline{BC2} \geq V_{CC} - 0.2V$ $\overline{S1} \leq 0.2V$, $S2 \geq V_{CC} - 0.2V$ other inputs = 0 ~ V _{CC}	-H, -HI	~ +25°C	-	0.02	0.5	μA	
				~ +40°C	-	0.05	1		
			-HI	~ +70°C	-	-	4		
				~ +85°C	-	-	7.5		
			-L, -LI	~ +70°C	-	-	8		
				~ +85°C	-	-	15		

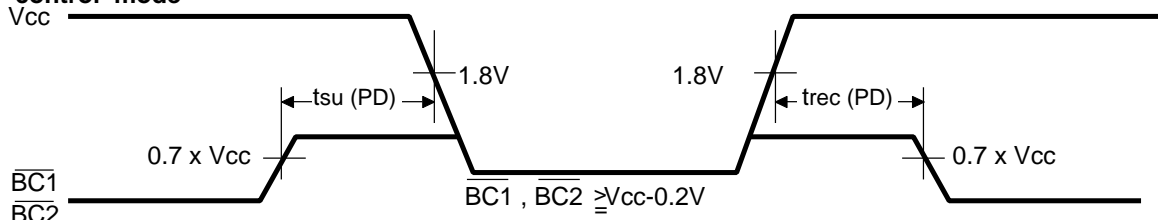
Note 2: Typical parameter of I_{CC}(PD) indicates the value for the center of distribution at 1.0V, and not 100% tested.

(2) TIMING REQUIREMENTS

Symbol	Parameter	Test conditions	Limits			Units
			Min	Typ	Max	
t _{su} (PD)	Power down set up time		0			ns
t _{rec} (PD)	Power down recovery time		5			ms

(3) TIMING DIAGRAM

\overline{BC} control mode



$\overline{S1}$ control mode



S2 control mode

