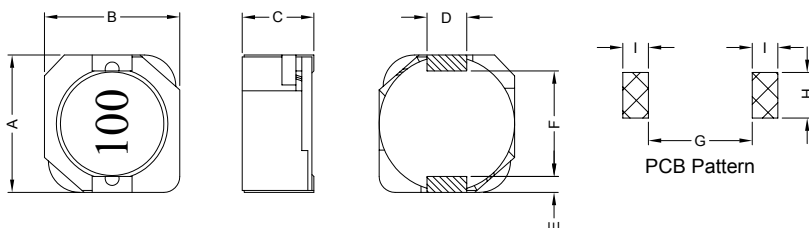


1. PART NO. EXPRESSION :

SDC1002R80YZF
 (a) (b) (c) (d)(e)(f)

- (a) Series code
- (b) Dimension code
- (c) Inductance code : R80 = 0.80uH
- (d) Tolerance code : Y = ±30%
- (e) X, Y, Z : Standard part
- (f) F : RoHS Compliant

2. CONFIGURATION & DIMENSIONS :



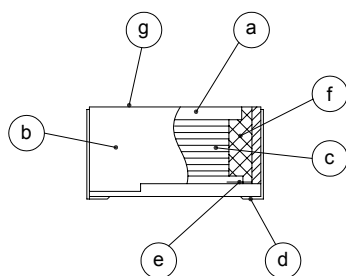
Unit:m/m

A	B	C	D	E	F	G	H	I
10.2±0.30	10.0±0.30	2.80±0.30	3.00±0.10	1.20±0.15	7.70±0.30	7.30 Ref.	3.20 Ref.	1.60 Ref.

3. SCHEMATIC :



4. MATERIALS :



- (a) Core : DR Ferrite Core
- (b) Core : RI Ferrite Core
- (c) Wire : Enamelled Copper Wire
- (d) Terminal : Au+Ni Copper Plate
- (e) Adhesive : Epoxy
- (f) Adhesive : Epoxy
- (g) Ink : Bon Margue

5. GENERAL SPECIFICATION :

- a) $\Delta L/L0A=35\%$ Typ. at Isat
- b) Temp. rise : 40°C Typ. at Irms
- c) Storage temp. : -40°C to +125°C
- d) Operating temp. : -40°C to +85°C
- e) Resistance to solder heat : 260°C.10 secs



RoHS Compliant

NOTE : Specifications subject to change without notice. Please check our website for latest information.

31.03.2009



SUPERWORLD ELECTRONICS (S) PTE LTD

PG. 1

6. ELECTRICAL CHARACTERISTICS :

Part No.	Inductance (μ H)	Test Freq. (Hz)	RDC (m Ω) Max.	Isat (A)	Irms (A)
SDC1002R80YZF	0.80 \pm 30%	1V/100K	12.00	11.20	7.00
SDC10021R5YZF	1.50 \pm 30%	1V/100K	15.00	8.00	6.00
SDC10022R2YZF	2.20 \pm 30%	1V/100K	18.00	7.00	5.50
SDC10023R3YZF	3.30 \pm 30%	1V/100K	25.00	5.60	4.80
SDC10024R7YZF	4.70 \pm 30%	1V/100K	32.00	5.00	4.20
SDC10026R8YZF	6.80 \pm 30%	1V/100K	42.00	4.00	3.60
SDC10028R2YZF	8.20 \pm 30%	1V/100K	50.00	3.50	3.10
SDC1002100YZF	10.00 \pm 30%	1V/100K	65.00	3.00	2.80
SDC1002150YZF	15.00 \pm 30%	1V/100K	100.00	2.70	2.10
SDC1002220YZF	22.00 \pm 30%	1V/100K	140.00	2.20	1.70
SDC1002330YZF	33.00 \pm 30%	1V/100K	205.00	1.75	1.50
SDC1002470YZF	47.00 \pm 30%	1V/100K	300.00	1.45	1.20
SDC1002560YZF	56.00 \pm 30%	1V/100K	340.00	1.40	1.15
SDC1002680YZF	68.00 \pm 30%	1V/100K	450.00	1.25	1.00
SDC1002820YZF	82.00 \pm 30%	1V/100K	510.00	1.15	0.90
SDC1002101YZF	100.00 \pm 30%	1V/100K	580.00	1.05	0.80
SDC1002121YZF	120.00 \pm 30%	1V/100K	650.00	0.90	0.70
SDC1002151YZF	150.00 \pm 30%	1V/100K	910.00	0.85	0.60



RoHS Compliant

NOTE : Specifications subject to change without notice. Please check our website for latest information.

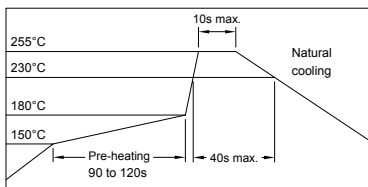
31.03.2009



SUPERWORLD ELECTRONICS (S) PTE LTD

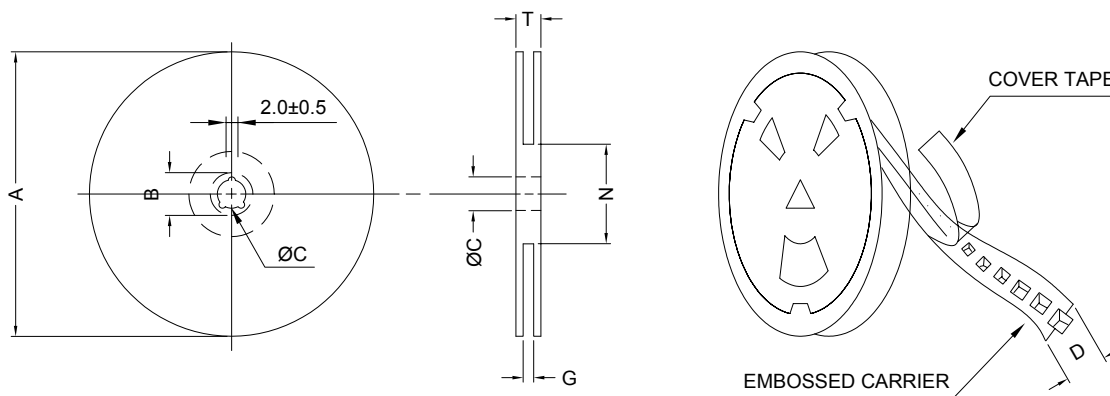
PG. 2

RECOMMENDED SOLDERING CONDITIONS REFLOW SOLDERINGS

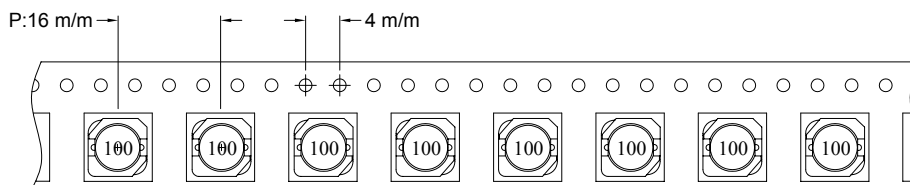


7. PACKAGING INFORMATION :

(1) CONFIGURATION



* CARRIER TAPE WIDTH : D



(2) DIMENSIONS

Unit:m/m

STYLE	A	B	C	D	G	N	T
13-24	330	21±0.8	13	24	26 ⁺⁰	50 ⁻⁰	30.4

(3) Q'TY & G.W. PER PACKAGE

SERIES	INNER : REEL			OUTER : CARTON		
	Q'TY (PCS)	G.W. (gw)	STYLE	Q'TY (PCS)	G.W. (Kg)	SIZE (cm)
SDC1002	1000	1000	13-24	4000	7.5	40 x 40 x 24



RoHS Compliant

NOTE : Specifications subject to change without notice. Please check our website for latest information.

31.03.2009

8. RELIABILITY AND TEST CONDITION :

TEST ITEM	SPECIFICATION	TEST CONDITION
SOLDERABILITY	MORE THAN 90% OF THE TERMINAL ELECTRODE SHALL BE COVERED WITH FRESH SOLDER.	PREHEAT : 125±25°C FOR 60 SECONDS SOLDER : 99%Sn/0.3%Ag/0.7Cu OR EQUIVALENT SOLDER TEMP. : 245±5°C FLUX : ROSIN DIP TIME : 4±1 SECONDS
THERMAL SHOCK TEST (TEMP. CYCLE)	INDUCTANCE SHALL NOT CHANGE MORE THAN ±20%	ROOM TEMP. → -25±2°C 15 MINUTES → 30 MINUTES ROOM TEMP. → 85±2°C 15 MINUTES → 30 MINUTES TOTAL : 50 CYCLES
HUMIDITY RESISTANCE TEST		TEMPERATURE : 40±2°C HUMIDITY : 90 ~ 95% APPLIED CURRENT : PER SPEC. TIME : 500 HOURS
HIGH TEMP. RESISTANCE TEST		TEMPERATURE : 85±2°C APPLIED CURRENT : PER SPEC. TIME : 500 HOURS

9. UL CARD :

OBMW2		November 30, 2000		
Magnet Wire - Component				
PACIFIC ELECTRIC WIRE & CABLE (SHENZHEN) CO LTD				E201757
607 BAOLONG INDUSTRIAL ESTATE LONGGANG, SHENZHEN GUANGDONG CHINA				
Mil Dsg	Coating Type	TC	ANSI Type	TI
UEW/U	Polyurethane	—	—	130
PEW/U	Polyester	—	MW5-C	155°C
PEWH/U	Modified Polyester	—	MW30-C	180
PEW-NY/U	Polyester	Polyamide	MW24-C	155
HA/U	Polyester(Amide)(Imide)	Polyamideimide	MW35,73	200
UEW-NY/U	Polyurethane	Polyamide	MW80-C	155
			MW28-C	130
<p>Marking: Company name and material designation or marked designation on package or reel, and Recognized Component Mark.</p> <p>See General Information Preceding These Recognitions</p>				
1/3/2001	Underwriters Laboratories Inc.	Card 1 of 2		



RoHS Compliant

NOTE : Specifications subject to change without notice. Please check our website for latest information.

31.03.2009



SUPERWORLD ELECTRONICS (S) PTE LTD

PG. 4