

Features

- Fast Read Access Time – 45 ns
- Low-Power CMOS Operation
 - 100 μ A Max Standby
 - 20 mA Max Active at 5 MHz
- JEDEC Standard Packages
 - 28-lead PDIP
 - 32-lead PLCC
 - 28-lead TSOP and SOIC
- 5V \pm 10% Supply
- High-Reliability CMOS Technology
 - 2,000V ESD Protection
 - 200 mA Latchup Immunity
- Rapid Programming Algorithm – 100 μ s/Byte (Typical)
- CMOS and TTL Compatible Inputs and Outputs
- Integrated Product Identification Code
- Industrial and Automotive Temperature Ranges
- Green (Pb/Halide-free) Packaging Option

1. Description

The AT27C512R is a low-power, high-performance 524,288-bit one-time programmable read-only memory (OTP EPROM) organized 64K by 8 bits. It requires only one 5V power supply in normal read mode operation. Any byte can be accessed in less than 45 ns, eliminating the need for speed reducing WAIT states on high-performance microprocessor systems.

Atmel's scaled CMOS technology provides high-speed, lower active power consumption, and significantly faster programming. Power consumption is typically only 8 mA in Active Mode and less than 10 μ A in Standby.

The AT27C512R is available in a choice of industry-standard JEDEC-approved one-time programmable (OTP) plastic PDIP, PLCC, SOIC, and TSOP packages. All devices feature two-line control (\overline{CE} , \overline{OE}) to give designers the flexibility to prevent bus contention.

With 64K byte storage capability, the AT27C512R allows firmware to be stored reliably and to be accessed by the system without the delays of mass storage media.

Atmel's AT27C512R has additional features to ensure high quality and efficient production use. The Rapid Programming Algorithm reduces the time required to program the part and guarantees reliable programming. Programming time is typically only 100 μ s/byte. The Integrated Product Identification Code electronically identifies the device and manufacturer. This feature is used by industry-standard programming equipment to select the proper programming algorithms and voltages.



**512K (64K x 8)
OTP EPROM**

AT27C512R

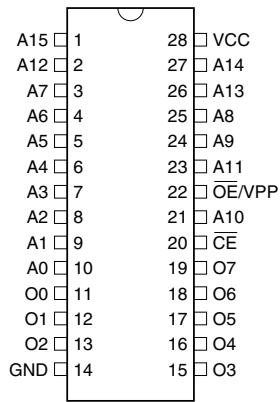
00150-EPROM-12/07



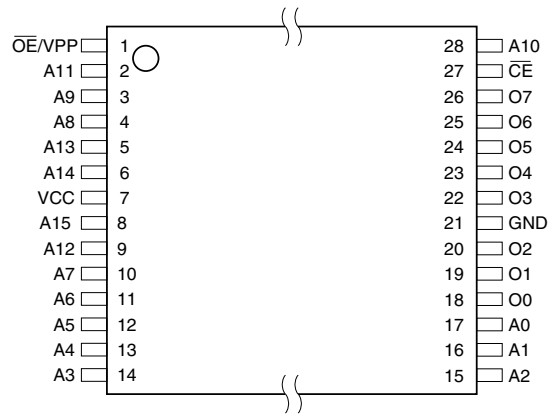
2. Pin Configurations

| Pin Name | Function |
|---------------------|-------------------------------|
| A0 - A15 | Addresses |
| O0 - O7 | Outputs |
| \overline{CE} | Chip Enable |
| \overline{OE}/VPP | Output Enable/ Program Supply |
| NC | No Connect |

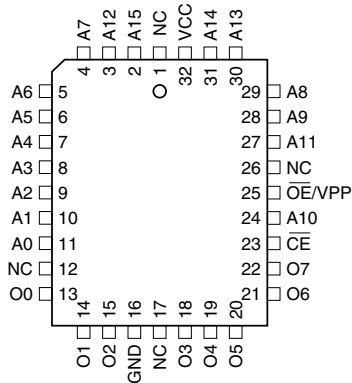
2.1 28-lead PDIP/SOIC Top View



2.3 28-lead TSOP Top View – Type 1



2.2 32-lead PLCC Top View

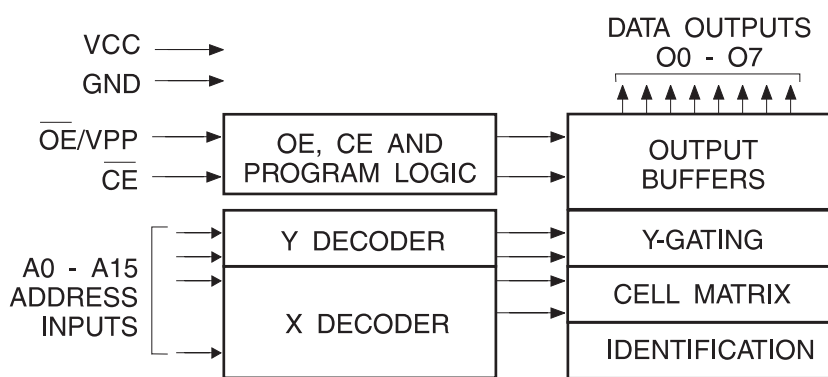


Note: PLCC Package Pins 1 and 17 are Don't Connect.

3. System Considerations

Switching between active and standby conditions via the Chip Enable pin may produce transient voltage excursions. Unless accommodated by the system design, these transients may exceed datasheet limits, resulting in device non-conformance. At a minimum, a 0.1 μF high frequency, low inherent inductance, ceramic capacitor should be utilized for each device. This capacitor should be connected between the V_{CC} and Ground terminals of the device, as close to the device as possible. Additionally, to stabilize the supply voltage level on printed circuit boards with large EPROM arrays, a 4.7 μF bulk electrolytic capacitor should be utilized, again connected between the V_{CC} and Ground terminals. This capacitor should be positioned as close as possible to the point where the power supply is connected to the array.

4. Block Diagram



5. Absolute Maximum Ratings*

| | |
|---|---------------------------------|
| Temperature Under Bias..... | -55°C to + 125°C |
| Storage Temperature | -65°C to + 150°C |
| Voltage on Any Pin with Respect to Ground | -2.0V to + 7.0V ⁽¹⁾ |
| Voltage on A9 with Respect to Ground | -2.0V to + 14.0V ⁽¹⁾ |
| V_{PP} Supply Voltage with Respect to Ground | -2.0V to + 14.0V ⁽¹⁾ |

***NOTICE:** Stresses beyond those listed under “Absolute Maximum Ratings” may cause permanent damage to the device. This is a stress rating only and functional operation of the device at these or any other conditions beyond those indicated in the operational sections of this specification is not implied. Exposure to absolute maximum rating conditions for extended periods may affect device reliability.

Note: 1. Minimum voltage is -0.6V DC which may undershoot to -2.0V for pulses of less than 20 ns. Maximum output pin voltage is $V_{CC} + 0.75\text{V}$ DC which may overshoot to +7.0 volts for pulses of less than 20 ns.

6. Operating Modes

| Mode/Pin | \overline{CE} | \overline{OE}/V_{PP} | Ai | Outputs |
|---------------------------------------|-----------------|------------------------|---|---------------------|
| Read | V_{IL} | V_{IL} | Ai | D_{OUT} |
| Output Disable | V_{IL} | V_{IH} | X ⁽¹⁾ | High Z |
| Standby | V_{IH} | X ⁽¹⁾ | X | High Z |
| Rapid Program ⁽²⁾ | V_{IL} | V_{PP} | Ai | D_{IN} |
| PGM Inhibit | V_{IH} | V_{PP} | X ⁽¹⁾ | High Z |
| Product Identification ⁽⁴⁾ | V_{IL} | V_{IL} | A9 = V_H ⁽³⁾ A0 = V_{IH} or V_{IL} A1 - A15 = V_{IL} | Identification Code |

- Notes:
- X can be V_{IL} or V_{IH} .
 - Refer to Programming Characteristics.
 - $V_H = 12.0 \pm 0.5V$.
 - Two identifier bytes may be selected. All Ai inputs are held low (V_{IL}), except A9 which is set to V_H and A0 which is toggled low (V_{IL}) to select the Manufacturer's Identification byte and high (V_{IH}) to select the Device Code byte.

7. DC and AC Operating Conditions for Read Operation

| | | AT27C512R | |
|-----------------------|-------|--------------|---------------|
| | | -45 | -70 |
| Operating Temp.(Case) | Ind. | -40°C - 85°C | -40°C - 85°C |
| | Auto. | | -40°C - 125°C |
| V_{CC} Supply | | 5V \pm 10% | 5V \pm 10% |

8. DC and Operating Characteristics for Read Operation

| Symbol | Parameter | Condition | Min | Max | Units |
|----------|---|---|-------|----------------|---------|
| I_{LI} | Input Load Current | $V_{IN} = 0V$ to V_{CC} | Ind. | ± 1 | μA |
| | | | Auto. | ± 5 | μA |
| I_{LO} | Output Leakage Current | $V_{OUT} = 0V$ to V_{CC} | Ind. | ± 5 | μA |
| | | | Auto. | ± 10 | μA |
| I_{SB} | V_{CC} ⁽¹⁾ Standby Current | I_{SB1} (CMOS), $\overline{CE} = V_{CC} \pm 0.3V$ | | 100 | μA |
| | | I_{SB2} (TTL), $\overline{CE} = 2.0$ to $V_{CC} + 0.5V$ | | 1 | mA |
| I_{CC} | V_{CC} Active Current | $f = 5$ MHz, $I_{OUT} = 0$ mA, $\overline{CE} = V_{IL}$ | | 20 | mA |
| V_{IL} | Input Low Voltage | | -0.6 | 0.8 | V |
| V_{IH} | Input High Voltage | | 2.0 | $V_{CC} + 0.5$ | V |
| V_{OL} | Output Low Voltage | $I_{OL} = 2.1$ mA | | 0.4 | V |
| V_{OH} | Output High Voltage | $I_{OH} = -400$ μA | 2.4 | | V |

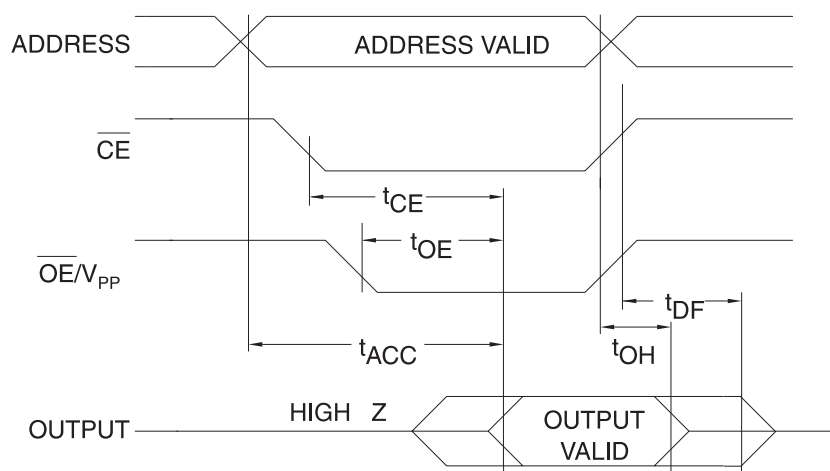
- Note: 1. V_{CC} must be applied simultaneously with or before \overline{OE}/V_{PP} and removed simultaneously with or after \overline{OE}/V_{PP} .

9. AC Characteristics for Read Operation

| Symbol | Parameter | Condition | AT27C512R | | | | Units |
|-----------------|--|---|-----------|-----|-----|-----|-------|
| | | | -45 | | -70 | | |
| | | | Min | Max | Min | Max | |
| $t_{ACC}^{(1)}$ | Address to Output Delay | $\overline{CE} = \overline{OE}/V_{PP} = V_{IL}$ | | 45 | 70 | ns | |
| $t_{CE}^{(1)}$ | \overline{CE} to Output Delay | $\overline{OE}/V_{PP} = V_{IL}$ | | 45 | 70 | ns | |
| $t_{OE}^{(1)}$ | \overline{OE}/V_{PP} to Output Delay | $\overline{CE} = V_{IL}$ | | 20 | 30 | ns | |
| $t_{DF}^{(1)}$ | \overline{OE}/V_{PP} or \overline{CE} High to Output Float, Whichever Occurred First | | | 20 | 25 | ns | |
| t_{OH} | Output Hold from Address, \overline{CE} or \overline{OE}/V_{PP} Whichever Occurred First | | 7 | | 7 | ns | |

Note: 1. See AC Waveforms for Read Operation.

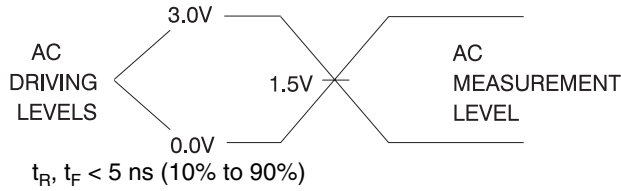
10. AC Waveforms for Read Operation⁽¹⁾



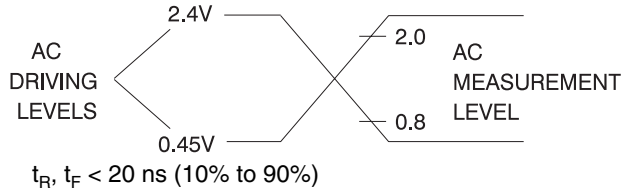
- Notes:
1. Timing measurement reference level is 1.5V for -45 devices. Input AC drive levels are $V_{IL} = 0.0V$ and $V_{IH} = 3.0V$. Timing measurement reference levels for all other speed grades are $V_{OL} = 0.8V$ and $V_{OH} = 2.0V$. Input AC drive levels are $V_{IL} = 0.45V$ and $V_{IH} = 2.4V$.
 2. \overline{OE}/V_{PP} may be delayed up to $t_{CE} - t_{OE}$ after the falling edge of \overline{CE} without impact on t_{CE} .
 3. \overline{OE}/V_{PP} may be delayed up to $t_{ACC} - t_{OE}$ after the address is valid without impact on t_{ACC} .
 4. This parameter is only sampled and is not 100% tested.
 5. Output float is defined as the point when data is no longer driven.

11. Input Test Waveforms and Measurement Levels

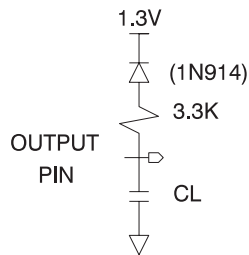
For -45 devices only:



For -70 devices:



12. Output Test Load



Note: 1. $C_L = 100 \text{ pF}$ including jig capacitance, except for the -45 devices, where $C_L = 30 \text{ pF}$.

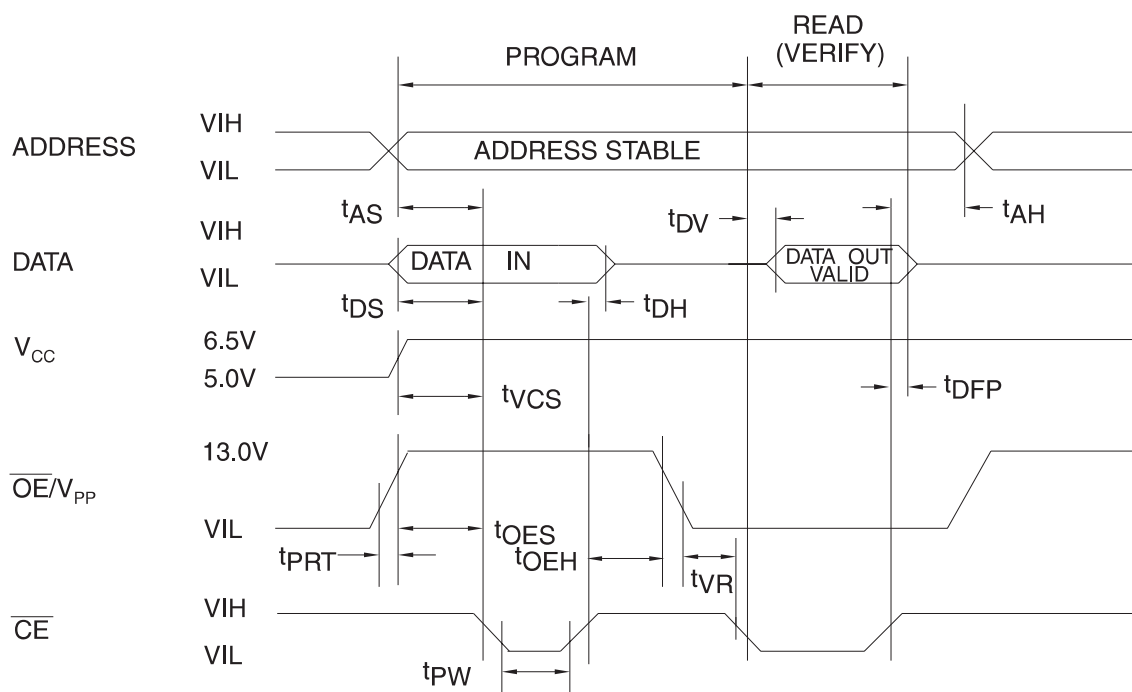
13. Pin Capacitance

$f = 1 \text{ MHz}$, $T = 25^\circ\text{C}^{(1)}$

| Symbol | Typ | Max | Units | Conditions |
|-----------|-----|-----|-------|----------------|
| C_{IN} | 4 | 6 | pF | $V_{IN} = 0V$ |
| C_{OUT} | 8 | 12 | pF | $V_{OUT} = 0V$ |

Note: 1. Typical values for nominal supply voltage. This parameter is only sampled and is not 100% tested.

14. Programming Waveforms⁽¹⁾



- Notes:
1. The Input Timing Reference is 0.8V for V_{IL} and 2.0V for V_{IH}.
 2. t_{OE} and t_{DFP} are characteristics of the device but must be accommodated by the programmer.

15. DC Programming Characteristics

T_A = 25 ± 5°C, V_{CC} = 6.5 ± 0.25V, OE/V_{PP} = 13.0 ± 0.25V

| Symbol | Parameter | Test Conditions | Limits | | Units |
|------------------|---|---|--------|---------------------|-------|
| | | | Min | Max | |
| I _{LI} | Input Load Current | V _{IN} = V _{IL} , V _{IH} | | ±10 | μA |
| V _{IL} | Input Low Level | | -0.6 | 0.8 | V |
| V _{IH} | Input High Level | | 2.0 | V _{CC} + 1 | V |
| V _{OL} | Output Low Voltage | I _{OL} = 2.1 mA | | 0.4 | V |
| V _{OH} | Output High Voltage | I _{OH} = -400 μA | 2.4 | | V |
| I _{CC2} | V _{CC} Supply Current (Program and Verify) | | | 25 | mA |
| I _{PP2} | OE/V _{PP} Current | OE = V _{IL} | | 25 | mA |
| V _{ID} | A9 Product Identification Voltage | | 11.5 | 12.5 | V |

16. AC Programming Characteristics

$T_A = 25 \pm 5^\circ\text{C}$, $V_{CC} = 6.5 \pm 0.25\text{V}$, $\overline{\text{OE}}/V_{PP} = 13.0 \pm 0.25\text{V}$

| Symbol | Parameter | Test Conditions ⁽¹⁾ | Limits | | Units |
|-----------|--|---|--------|-----|---------------|
| | | | Min | Max | |
| t_{AS} | Address Setup Time | Input Rise and Fall Times (10% to 90%) 20 ns | 2 | | μs |
| t_{OES} | $\overline{\text{OE}}/V_{PP}$ Setup Time | | 2 | | μs |
| t_{OEH} | $\overline{\text{OE}}/V_{PP}$ Hold Time | | 2 | | μs |
| t_{DS} | Data Setup Time | | 2 | | μs |
| t_{AH} | Address Hold Time | Input Pulse Levels 0.45V to 2.4V | 0 | | μs |
| t_{DH} | Data Hold Time | | 2 | | μs |
| t_{DFP} | $\overline{\text{CE}}$ High to Output Float Delay ⁽²⁾ | Input Timing Reference Level 0.8V to 2.0V | 0 | 130 | ns |
| t_{VCS} | V_{CC} Setup Time | | 2 | | μs |
| t_{PW} | $\overline{\text{CE}}$ Program Pulse Width ⁽³⁾ | | 95 | 105 | μs |
| t_{DV} | Data Valid from $\overline{\text{CE}}$ ⁽²⁾ | Output Timing Reference Level 0.8V to 2.0V | | 1 | μs |
| t_{VR} | $\overline{\text{OE}}/V_{PP}$ Recovery Time | | 2 | | μs |
| t_{PRT} | $\overline{\text{OE}}/V_{PP}$ Pulse Rise Time During Programming | | 50 | | ns |

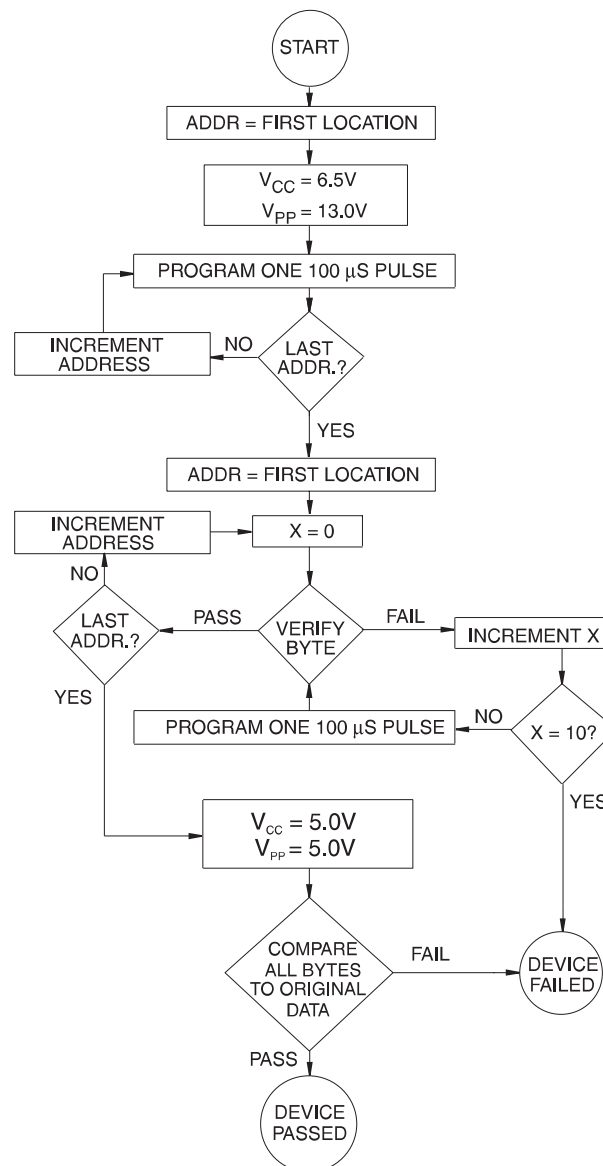
- Notes: 1. V_{CC} must be applied simultaneously or before $\overline{\text{OE}}/V_{PP}$ and removed simultaneously or after $\overline{\text{OE}}/V_{PP}$
 2. This parameter is only sampled and is not 100% tested. Output Float is defined as the point where data is no longer driven – see timing diagram.
 3. Program Pulse width tolerance is 100 $\mu\text{sec} \pm 5\%$.

17. Atmel's AT27C512R Integrated Product Identification Code

| Codes | Pins | | | | | | | | | Hex Data |
|--------------|------|----|----|----|----|----|----|----|----|----------|
| | A0 | O7 | O6 | O5 | O4 | O3 | O2 | O1 | O0 | |
| Manufacturer | 0 | 0 | 0 | 0 | 1 | 1 | 1 | 1 | 0 | 1E |
| Device Type | 1 | 0 | 0 | 0 | 0 | 1 | 1 | 0 | 1 | 0D |

18. Rapid Programming Algorithm

A $100\ \mu\text{s}$ $\overline{\text{CE}}$ pulse width is used to program. The address is set to the first location. V_{CC} is raised to 6.5V and $\overline{\text{OE}}/V_{\text{PP}}$ is raised to 13.0V. Each address is first programmed with one $100\ \mu\text{s}$ $\overline{\text{CE}}$ pulse without verification. Then a verification/reprogramming loop is executed for each address. In the event a byte fails to pass verification, up to 10 successive $100\ \mu\text{s}$ pulses are applied with a verification after each pulse. If the byte fails to verify after 10 pulses have been applied, the part is considered failed. After the byte verifies properly, the next address is selected until all have been checked. $\overline{\text{OE}}/V_{\text{PP}}$ is then lowered to V_{IL} and V_{CC} to 5.0V. All bytes are read again and compared with the original data to determine if the device passes or fails.



19. Ordering Information

19.1 Standard Package

| t _{ACC} (ns) | I _{CC} (mA) | | Ordering Code | Package | Operation Range |
|--------------------------|----------------------|---------|----------------|--------------------|----------------------------------|
| | Active | Standby | | | |
| 45 | 20 | 0.1 | AT27C512R-45JI | 32J | Industrial (-40° C to 85° C) |
| | | | AT27C512R-45PI | 28P6 | |
| | | | AT27C512R-45RI | 28R ⁽¹⁾ | |
| | | | AT27C512R-45TI | 28T | |
| 70 | 20 | 0.1 | AT27C512R-70JI | 32J | Industrial (-40° C to 85° C) |
| | | | AT27C512R-70PI | 28P6 | |
| | | | AT27C512R-70RI | 28R ⁽¹⁾ | |
| | | | AT27C512R-70TI | 28T | |
| | 20 | 0.1 | AT27C512R-70JA | 32J | Automotive (-40° C to 125° C) |
| | | | AT27C512R-70PA | 28P6 | |
| | | | AT27C512R-70RA | 28R ⁽¹⁾ | |

Note: Not recommended for new designs. Use Green package option.

19.2 Green Package (Pb/Halide-free)

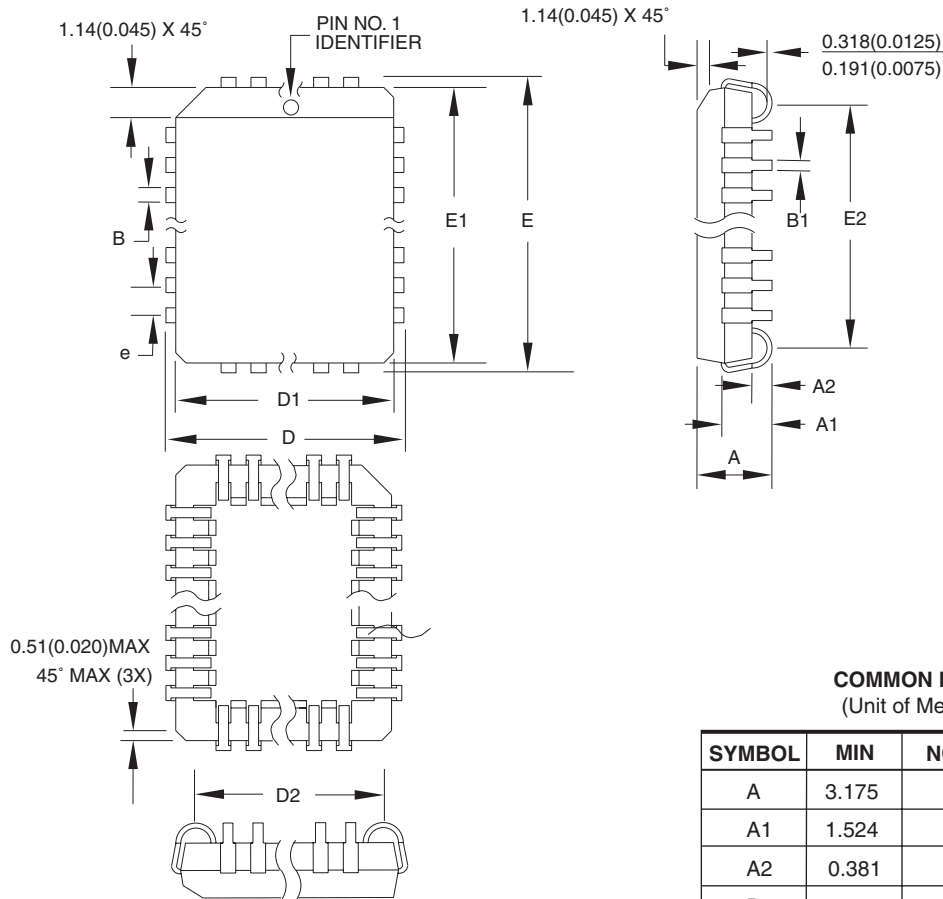
| t _{ACC} (ns) | I _{CC} (mA) | | Ordering Code | Package | Operation Range |
|--------------------------|----------------------|---------|----------------|--------------------|---------------------------------|
| | Active | Standby | | | |
| 45 | 20 | 0.1 | AT27C512R-45JU | 32J | Industrial (-40° C to 85° C) |
| | | | AT27C512R-45PU | 28P6 | |
| | | | AT27C512R-45RU | 28R ⁽¹⁾ | |
| | | | AT27C512R-45TU | 28T | |
| 70 | 20 | 0.1 | AT27C512R-70JU | 32J | Industrial (-40° C to 85° C) |
| | | | AT27C512R-70PU | 28P6 | |
| | | | AT27C512R-70RU | 28R ⁽¹⁾ | |
| | | | AT27C512R-70TU | 28T | |

Note: 1. The 28-pin SOIC package is not recommended for new designs.

| Package Type | |
|--------------|--|
| 32J | 32-Lead, Plastic J-Leaded Chip Carrier (PLCC) |
| 28P6 | 28-Lead, 0.600" Wide, Plastic Dual Inline Package (PDIP) |
| 28R | 28-Lead, 0.330" Wide, Plastic Gull Wing Small Outline (SOIC) |
| 28T | 28-Lead, Thin Small Outline Package (TSOP) |

Packaging Information

19.3 32J – PLCC



COMMON DIMENSIONS
(Unit of Measure = mm)

| SYMBOL | MIN | NOM | MAX | NOTE |
|--------|-----------|-----|--------|--------|
| A | 3.175 | - | 3.556 | |
| A1 | 1.524 | - | 2.413 | |
| A2 | 0.381 | - | - | |
| D | 12.319 | - | 12.573 | |
| D1 | 11.354 | - | 11.506 | Note 2 |
| D2 | 9.906 | - | 10.922 | |
| E | 14.859 | - | 15.113 | |
| E1 | 13.894 | - | 14.046 | Note 2 |
| E2 | 12.471 | - | 13.487 | |
| B | 0.660 | - | 0.813 | |
| B1 | 0.330 | - | 0.533 | |
| e | 1.270 TYP | | | |

- Notes:
1. This package conforms to JEDEC reference MS-016, Variation AE.
 2. Dimensions D1 and E1 do not include mold protrusion. Allowable protrusion is .010"(0.254 mm) per side. Dimension D1 and E1 include mold mismatch and are measured at the extreme material condition at the upper or lower parting line.
 3. Lead coplanarity is 0.004" (0.102 mm) maximum.

10/04/01



2325 Orchard Parkway
San Jose, CA 95131

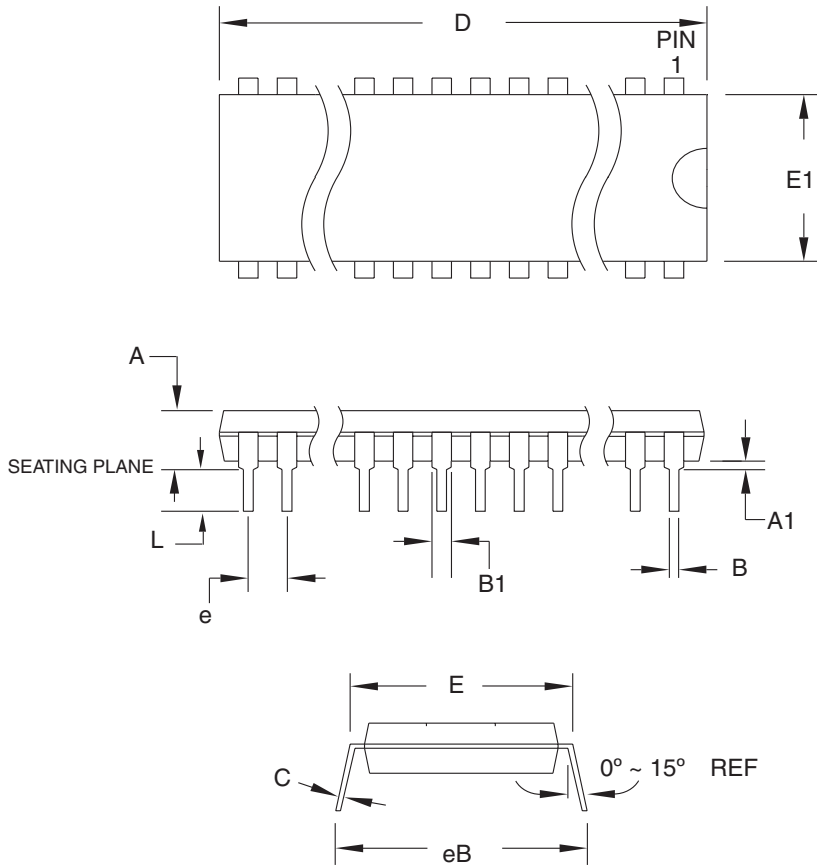
TITLE
32J, 32-lead, Plastic J-leaded Chip Carrier (PLCC)

DRAWING NO.
32J

REV.
B



19.4 28P6 – PDIP



COMMON DIMENSIONS
(Unit of Measure = mm)

| SYMBOL | MIN | NOM | MAX | NOTE |
|--------|-----------|-----|--------|--------|
| A | – | – | 4.826 | |
| A1 | 0.381 | – | – | |
| D | 36.703 | – | 37.338 | Note 2 |
| E | 15.240 | – | 15.875 | |
| E1 | 13.462 | – | 13.970 | Note 2 |
| B | 0.356 | – | 0.559 | |
| B1 | 1.041 | – | 1.651 | |
| L | 3.048 | – | 3.556 | |
| C | 0.203 | – | 0.381 | |
| eB | 15.494 | – | 17.526 | |
| e | 2.540 TYP | | | |

- Notes:
1. This package conforms to JEDEC reference MS-011, Variation AB.
 2. Dimensions D and E1 do not include mold Flash or Protrusion. Mold Flash or Protrusion shall not exceed 0.25 mm (0.010").

09/28/01



2325 Orchard Parkway
San Jose, CA 95131

TITLE

28P6, 28-lead (0.600"/15.24 mm Wide) Plastic Dual
Inline Package (PDIP)

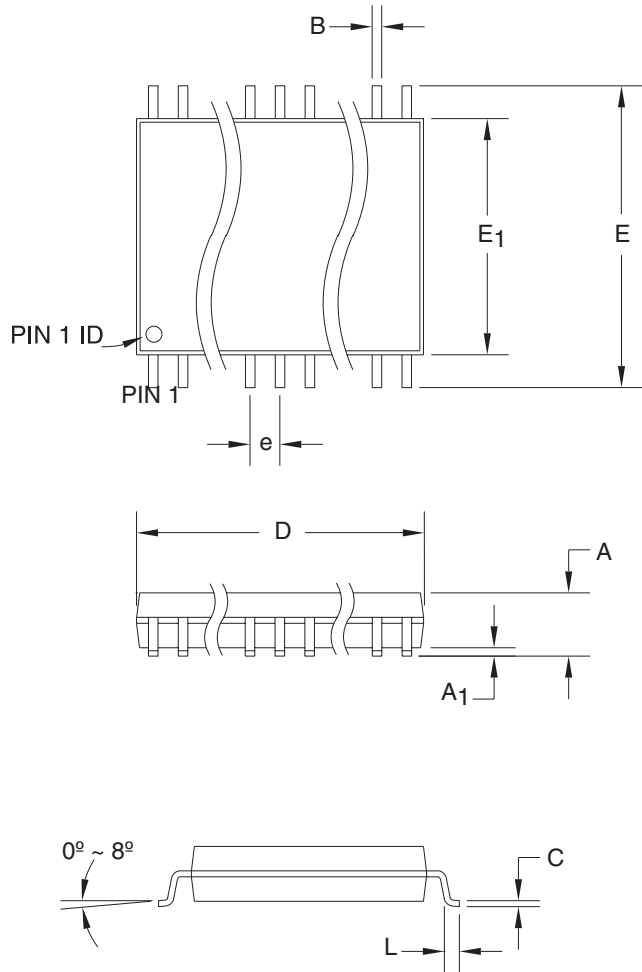
DRAWING NO.

28P6

REV.

B

19.5 28R – SOIC




COMMON DIMENSIONS
(Unit of Measure = mm)

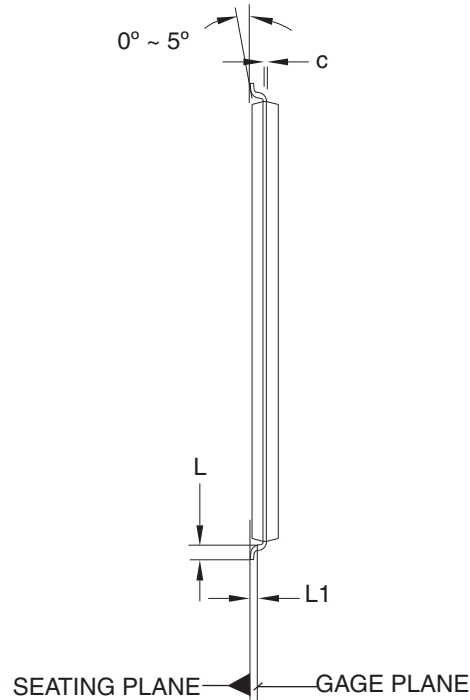
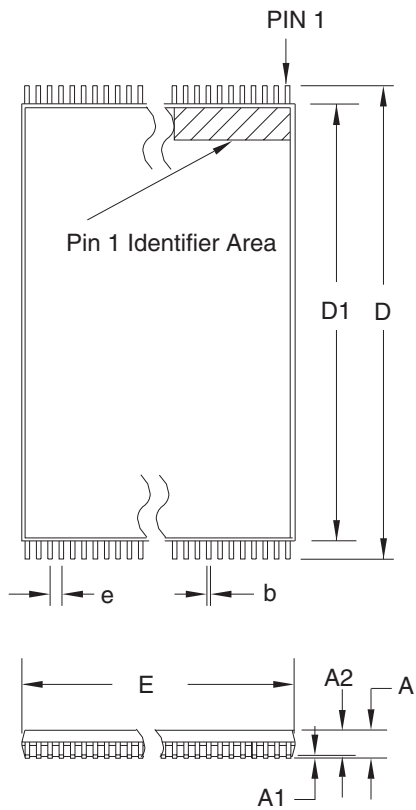
| SYMBOL | MIN | NOM | MAX | NOTE |
|--------|----------|-----|-------|--------|
| A | 2.39 | - | 2.79 | |
| A1 | 0.050 | - | 0.356 | |
| D | 18.00 | - | 18.50 | Note 1 |
| E | 11.70 | - | 12.50 | |
| E1 | 8.59 | - | 8.79 | Note 1 |
| B | 0.356 | - | 0.508 | |
| C | 0.203 | - | 0.305 | |
| L | 0.94 | - | 1.27 | |
| e | 1.27 TYP | | | |

Note: 1. Dimensions D and E1 do not include mold Flash or protrusion. Mold Flash or protrusion shall not exceed 0.25 mm (0.010").

5/18/2004

| | | | |
|--|--|--------------------|-------------|
|  2325 Orchard Parkway San Jose, CA 95131 | TITLE 28R, 28-lead, 0.330" Body Width, Plastic Gull Wing Small Outline (SOIC) | DRAWING NO. | REV. |
| | | 28R | C |

19.6 28T – TSOP



COMMON DIMENSIONS
(Unit of Measure = mm)

| SYMBOL | MIN | NOM | MAX | NOTE |
|--------|------------|-------|-------|--------|
| A | – | – | 1.20 | |
| A1 | 0.05 | – | 0.15 | |
| A2 | 0.90 | 1.00 | 1.05 | |
| D | 13.20 | 13.40 | 13.60 | |
| D1 | 11.70 | 11.80 | 11.90 | Note 2 |
| E | 7.90 | 8.00 | 8.10 | Note 2 |
| L | 0.50 | 0.60 | 0.70 | |
| L1 | 0.25 BASIC | | | |
| b | 0.17 | 0.22 | 0.27 | |
| c | 0.10 | – | 0.21 | |
| e | 0.55 BASIC | | | |

- Notes:
1. This package conforms to JEDEC reference MO-183.
 2. Dimensions D1 and E do not include mold protrusion. Allowable protrusion on E is 0.15 mm per side and on D1 is 0.25 mm per side.
 3. Lead coplanarity is 0.10 mm maximum.

12/06/02



2325 Orchard Parkway
San Jose, CA 95131

TITLE

28T, 28-lead (8 x 13.4 mm) Plastic Thin Small Outline Package, Type I (TSOP)

DRAWING NO.

28T

REV.

C



Headquarters

Atmel Corporation
2325 Orchard Parkway
San Jose, CA 95131
USA
Tel: 1(408) 441-0311
Fax: 1(408) 487-2600

International

Atmel Asia
Room 1219
Chinachem Golden Plaza
77 Mody Road Tsimshatsui
East Kowloon
Hong Kong
Tel: (852) 2721-9778
Fax: (852) 2722-1369

Atmel Europe
Le Krebs
8, Rue Jean-Pierre Timbaud
BP 309
78054 Saint-Quentin-en-
Yvelines Cedex
France
Tel: (33) 1-30-60-70-00
Fax: (33) 1-30-60-71-11

Atmel Japan
9F, Tonetsu Shinkawa Bldg.
1-24-8 Shinkawa
Chuo-ku, Tokyo 104-0033
Japan
Tel: (81) 3-3523-3551
Fax: (81) 3-3523-7581

Product Contact

Web Site
www.atmel.com

Technical Support
eprom@atmel.com

Sales Contact
www.atmel.com/contacts

Literature Requests
www.atmel.com/literature

Disclaimer: The information in this document is provided in connection with Atmel products. No license, express or implied, by estoppel or otherwise, to any intellectual property right is granted by this document or in connection with the sale of Atmel products. **EXCEPT AS SET FORTH IN ATMEL'S TERMS AND CONDITIONS OF SALE LOCATED ON ATMEL'S WEB SITE, ATMEL ASSUMES NO LIABILITY WHATSOEVER AND DISCLAIMS ANY EXPRESS, IMPLIED OR STATUTORY WARRANTY RELATING TO ITS PRODUCTS INCLUDING, BUT NOT LIMITED TO, THE IMPLIED WARRANTY OF MERCHANTABILITY, FITNESS FOR A PARTICULAR PURPOSE, OR NON-INFRINGEMENT. IN NO EVENT SHALL ATMEL BE LIABLE FOR ANY DIRECT, INDIRECT, CONSEQUENTIAL, PUNITIVE, SPECIAL OR INCIDENTAL DAMAGES (INCLUDING, WITHOUT LIMITATION, DAMAGES FOR LOSS OF PROFITS, BUSINESS INTERRUPTION, OR LOSS OF INFORMATION) ARISING OUT OF THE USE OR INABILITY TO USE THIS DOCUMENT, EVEN IF ATMEL HAS BEEN ADVISED OF THE POSSIBILITY OF SUCH DAMAGES.** Atmel makes no representations or warranties with respect to the accuracy or completeness of the contents of this document and reserves the right to make changes to specifications and product descriptions at any time without notice. Atmel does not make any commitment to update the information contained herein. Unless specifically provided otherwise, Atmel products are not suitable for, and shall not be used in, automotive applications. Atmel's products are not intended, authorized, or warranted for use as components in applications intended to support or sustain life.

© 2007 Atmel Corporation. All rights reserved. Atmel®, logo and combinations thereof, and others are registered trademarks or trademarks of Atmel Corporation or its subsidiaries. Other terms and product names may be trademarks of others.