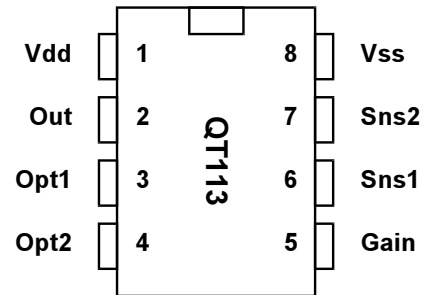


- Projects a proximity field through air or any insulator
- Less expensive than many mechanical switches
- Sensitivity easily adjusted
- Consensus filter for noise immunity
- 100% autocal for life - no adjustments required
- 2.5 to 5V, 600µA single supply operation
- Toggle mode for on/off control (strap option)
- 10s, 60s, infinite auto-recal timeouts (strap options)
- HeartBeat™ health indicator on output
- Only one external part required - a 1¢ capacitor
- Lead-Free package



### APPLICATIONS -

- |                 |                    |                   |                   |
|-----------------|--------------------|-------------------|-------------------|
| ●Light switches | ●Appliance control | ●Access systems   | ●Elevator buttons |
| ●Prox sensors   | ●Security systems  | ●Pointing devices | ●Consumer devices |

The QT113 charge-transfer (“QT”) touch sensor is a self-contained digital IC capable of detecting near-proximity or touch. It will project a proximity sense field through air, and any dielectric like glass, plastic, stone, ceramic, and most kinds of wood. It can also turn small metal-bearing objects into intrinsic sensors, making them responsive to proximity or touch. This capability coupled with its ability to self calibrate continuously can lead to entirely new product concepts.

It is designed specifically for human interfaces, like control panels, appliances, toys, lighting controls, or anywhere a mechanical switch or button may be found; it may also be used for some material sensing and control applications provided that the presence duration of objects does not exceed the recalibration timeout interval.

Power consumption is only 600µA in most applications. In most cases the power supply need only be minimally regulated, for example by Zener diodes or an inexpensive 3-terminal regulator. The QT113 requires only a common inexpensive capacitor in order to function.

The QT113’s RISC core employs signal processing techniques pioneered by Quantum; these are specifically designed to make the device survive real-world challenges, such as ‘stuck sensor’ conditions and signal drift.

The option-selectable toggle mode permits on/off touch control, for example for light switch replacement. The Quantum-pioneered HeartBeat™ signal is also included, allowing a microcontroller to monitor the health of the QT113 continuously if desired. By using the charge transfer principle, the IC delivers a level of performance clearly superior to older technologies in a highly cost-effective package.

#### AVAILABLE OPTIONS

T <sub>A</sub>	SOIC	8-PIN DIP
0°C to +70°C	-	QT113-DG
-40°C to +85°C	QT113-ISG	-

# 1 - OVERVIEW

The QT113 is a digital burst mode charge-transfer (QT) sensor designed specifically for touch controls; it includes all hardware and signal processing functions necessary to provide stable sensing under a wide variety of changing conditions. Only a single low cost, non-critical capacitor is required for operation.

Figure 1-1 shows a basic circuit using the device.

## 1.1 BASIC OPERATION

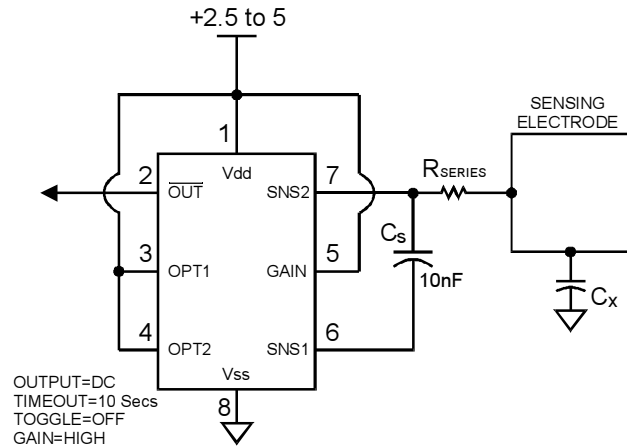
The QT113 employs bursts of charge-transfer cycles to acquire its signal. Burst mode permits power consumption in the microamp range, dramatically reduces RF emissions, lowers susceptibility to EMI, and yet permits excellent response time. Internally the signals are digitally processed to reject impulse noise, using a 'consensus' filter which requires three consecutive confirmations of a detection before the output is activated.

The QT switches and charge measurement hardware functions are all internal to the QT113 (Figure 1-2). A 14-bit single-slope switched capacitor ADC includes both the required QT charge and transfer switches in a configuration that provides direct ADC conversion. The ADC is designed to dynamically optimize the QT burst length according to the rate of charge buildup on  $C_s$ , which in turn depends on the values of  $C_s$ ,  $C_x$ , and  $V_{dd}$ .  $V_{dd}$  is used as the charge reference voltage. Larger values of  $C_x$  cause the charge transferred into  $C_s$  to rise more rapidly, reducing available resolution; as a minimum resolution is required for proper operation, this can result in dramatically reduced apparent gain. Conversely, larger values of  $C_s$  reduce the rise of differential voltage across it, increasing available resolution by permitting longer QT bursts. The value of  $C_s$  can thus be increased to allow larger values of  $C_x$  to be tolerated (Figures 4-1, 4-2, 4-3 in Specifications, rear).

The IC is responsive to both  $C_x$  and  $C_s$ , and changes in  $C_s$  can result in substantial changes in sensor gain.

Option pins allow the selection or alteration of several special features and sensitivity.

Figure 1-1 Basic Circuit Configuration



## 1.2 ELECTRODE DRIVE

The internal ADC treats  $C_s$  as a floating transfer capacitor; as a result, the sense electrode can in theory be connected to either SNS1 or SNS2 with no performance difference. However the electrode should only be connected to pin SNS2 for optimum noise immunity.

In all cases the rule  $C_s \gg C_x$  must be observed for proper operation; a typical load capacitance ( $C_x$ ) ranges from 10-20pF while  $C_s$  is usually around 10-50nF.

Increasing amounts of  $C_x$  destroy gain; therefore it is important to limit the amount of stray capacitance on both SNS terminals, for example by minimizing trace lengths and widths and keeping these traces away from power or ground traces or copper pours.

The traces and any components associated with SNS1 and SNS2 will become touch sensitive and should be treated with caution to limit the touch area to the desired location.

A series resistor,  $R_{series}$ , should be placed inline with the SNS2 pin to the electrode to suppress ESD and EMC effects.

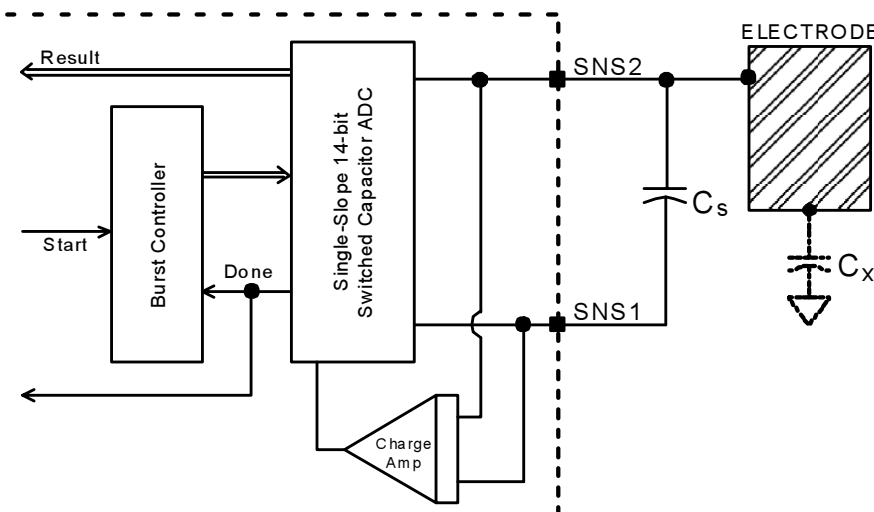
## 1.3 ELECTRODE DESIGN

### 1.3.1 ELECTRODE GEOMETRY AND SIZE

There is no restriction on the shape of the electrode; in most cases common sense and a little experimentation can result in a good electrode design. The QT113 will operate equally well with long, thin electrodes as with round or square ones; even random shapes are acceptable. The electrode can also be a 3-dimensional surface or object. Sensitivity is related to electrode surface area, orientation with respect to the object being sensed, object composition, and the ground coupling quality of both the sensor circuit and the sensed object.

If a relatively large electrode surface is desired, and if tests show that the electrode has more capacitance than the QT113 can tolerate, the electrode can be made into a sparse mesh (Figure 1-3) having lower  $C_x$  than a

Figure 1-2 Internal Switching & Timing



solid plane. Sensitivity may even remain the same, as the sensor will be operating in a lower region of the gain curves.

### 1.3.2 KIRCHOFF'S CURRENT LAW

Like all capacitance sensors, the QT113 relies on Kirchoff's Current Law (Figure 1-3) to detect the change in capacitance of the electrode. This law as applied to capacitive sensing requires that the sensor's field current must complete a loop, returning back to its source in order for capacitance to be sensed. Although most designers relate to Kirchoff's law with regard to hardwired circuits, it applies equally to capacitive field flows. By implication it requires that the signal ground and the target object must both be coupled together in some manner for a capacitive sensor to operate properly. Note that there is no need to provide actual hardwired ground connections; capacitive coupling to ground ( $C_{x1}$ ) is always sufficient, even if the coupling might seem very tenuous. For example, powering the sensor via an isolated transformer will provide ample ground coupling, since there is capacitance between the windings and/or the transformer core, and from the power wiring itself directly to 'local earth'. Even when battery powered, just the physical size of the PCB and the object into which the electronics is embedded will generally be enough to couple a few picofarads back to local earth.

### 1.3.3 VIRTUAL CAPACITIVE GROUNDS

When detecting human contact (e.g. a fingertip), grounding of the person is never required. The human body naturally has several hundred picofarads of 'free space' capacitance to the local environment ( $C_{x3}$  in Figure 1-3), which is more than two orders of magnitude greater than that required to create a return path to the QT113 via earth. The QT113's PCB however can be physically quite small, so there may be little 'free space' coupling ( $C_{x1}$  in Figure 1-3) between it and the environment to complete the return path. If the QT113 circuit ground cannot be earth grounded by wire, for example via the supply connections, then a 'virtual capacitive ground' may be required to increase return coupling.

A 'virtual capacitive ground' can be created by connecting the QT113's own circuit ground to:

- A nearby piece of metal or metallized housing;
- A floating conductive ground plane;
- Another electronic device (to which its output might be connected anyway).

Free-floating ground planes such as metal foils should maximize exposed surface area in a flat plane if possible. A square of metal foil will have little effect if it is rolled up or crumpled into a ball. Virtual ground planes are more effective and can be made smaller if they are physically bonded to other surfaces, for example a wall or floor.

### 1.3.4 FIELD SHAPING

The electrode can be prevented from sensing in undesired directions with the assistance of metal shielding connected to circuit ground (Figure 1-4). For example, on flat surfaces, the field can spread laterally and create a larger touch area than desired. To stop field spreading, it is only necessary to surround the touch electrode on all sides with a ring of metal connected to circuit ground; the ring can be on the same or opposite side from the electrode. The ring will kill field spreading from that point outwards.

If one side of the panel to which the electrode is fixed has moving traffic near it, these objects can cause inadvertent detections. This is called 'walk-by' and is caused by the fact that the fields radiate from either surface of the electrode

equally well. Shielding in the form of a metal sheet or foil connected to circuit ground will prevent walk-by; putting a small air gap between the grounded shield and the electrode will keep the value of  $C_x$  lower to reduce loading and keep gain high.

### 1.3.5 SENSITIVITY

The QT113 can be set for one of 2 gain levels using option pin 5 (Table 1-1). This sensitivity change is made by altering the internal numerical threshold level required for a detection. Note that sensitivity is also a function of other things: like the value of  $C_s$ , electrode size and capacitance, electrode shape and orientation, the composition and aspect of the object to be sensed, the thickness and composition of any overlaying panel material, and the degree of ground coupling of both sensor and object.

#### 1.3.5.1 Increasing Sensitivity

In some cases it may be desirable to increase sensitivity further, for example when using the sensor with very thick panels having a low dielectric constant.

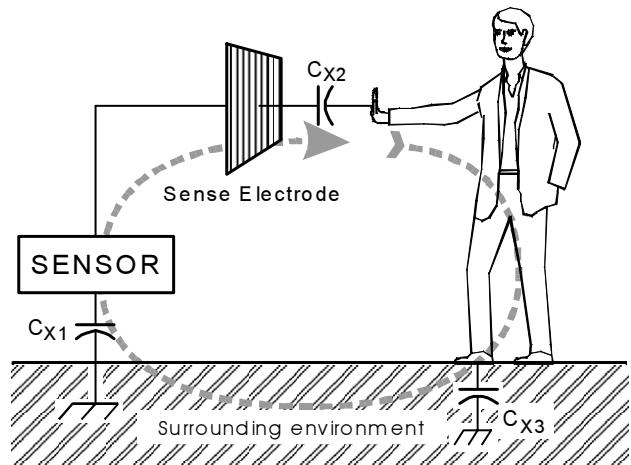
Sensitivity can often be increased by using a bigger electrode, reducing panel thickness, or altering panel composition. Increasing electrode size can have diminishing returns, as high values of  $C_x$  will reduce sensor gain (Figures 4-1 to 4-3). The value of  $C_s$  also has a dramatic effect on sensitivity, and this can be increased in value with the tradeoff of reduced response time. Increasing the electrode's surface area will not substantially increase touch sensitivity if its diameter is already much larger in surface area than the object being detected. Panel material can also be changed to one having a higher dielectric constant, which will help propagate the field. Metal areas near the electrode will reduce the field strength and increase  $C_x$  loading.

Ground planes around and under the electrode and its SNS trace will cause high  $C_x$  loading and destroy gain. The possible signal-to-noise ratio benefits of ground area are more than negated by the decreased gain from the circuit, and so ground areas around electrodes are discouraged. Keep ground away from the electrodes and traces.

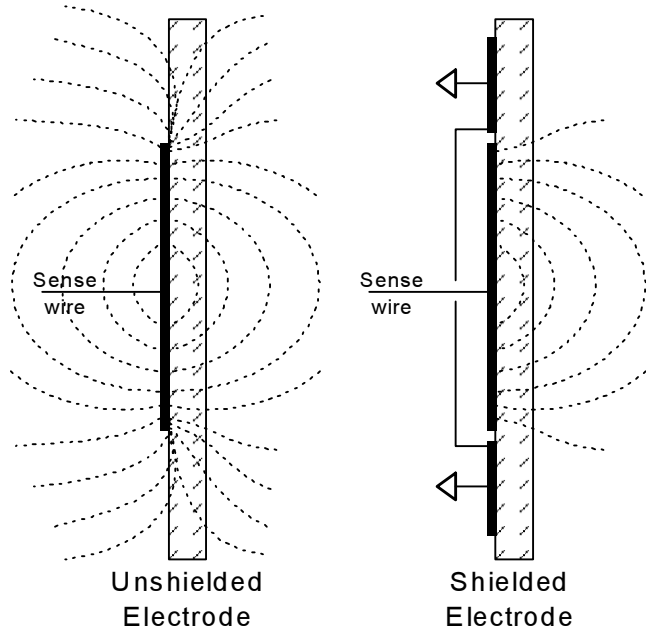
#### 1.3.5.2 Decreasing Sensitivity

In some cases the QT113 may be too sensitive, even on low gain. In this case gain can be lowered further by decreasing  $C_s$ .

Figure 1-3 Kirchoff's Current Law



**Figure 1-4 Shielding Against Fringe Fields**



become insensitive to touch. In this latter case, the sensor will compensate for the object's removal very quickly, usually in only a few seconds.

With large values of  $C_s$  and small values of  $C_x$ , drift compensation will appear to operate more slowly than with the converse. Note that the positive and negative drift compensation rates are different.

**2.1.2 THRESHOLD CALCULATION**

The internal threshold level is fixed at one of two settings as determined by Table 1-1. These settings are fixed with respect to the internal reference level, which in turn will move in accordance with the drift compensation mechanism.

The QT113 employs a hysteresis dropout below the threshold level of 17% of the delta between the reference and threshold levels.

**2.1.3 MAX ON-DURATION**

If an object or material obstructs the sense pad the signal may rise enough to create a detection, preventing further operation. To prevent this, the sensor includes a timer which monitors detections. If a detection exceeds the timer setting, the timer causes the sensor to perform a full recalibration (when not set to infinite). This is known as the Max On-Duration feature.

**2 - QT113 SPECIFICS**

**2.1 SIGNAL PROCESSING**

The QT113 processes all signals using 16 bit math, using a number of algorithms pioneered by Quantum. The algorithms are specifically designed to provide for high 'survivability' in the face of numerous adverse environmental changes.

**2.1.1 DRIFT COMPENSATION ALGORITHM**

Signal drift can occur because of changes in  $C_x$  and  $C_s$  over time. It is crucial that drift be compensated for, otherwise false detections, non-detections, and sensitivity shifts will follow.

Drift compensation (Figure 2-1) is performed by making the reference level track the raw signal at a slow rate, but only while there is no detection in effect. The rate of adjustment must be performed slowly, otherwise legitimate detections could be ignored. The QT113 drift compensates using a slow-rate limited change to the reference level; the threshold and hysteresis values are slaved to this reference.

Once an object is sensed, the drift compensation mechanism ceases since the signal is legitimately high, and therefore should not cause the reference level to change.

The QT113's drift compensation is 'asymmetric': the reference level drift-compensates in one direction faster than it does in the other. Specifically, it compensates faster for decreasing signals than for increasing signals. Increasing signals should not be compensated for quickly, since an approaching finger could be compensated for partially or entirely before even approaching the sense electrode. However, an obstruction over the sense pad, for which the sensor has already made full allowance for, could suddenly be removed leaving the sensor with an artificially elevated reference level and thus

**Table 1-1 Gain Setting Strap Options**

Gain	Tie Pin 5 to:
High - 6 counts	Vdd
Low - 12 counts	Vss (Gnd)

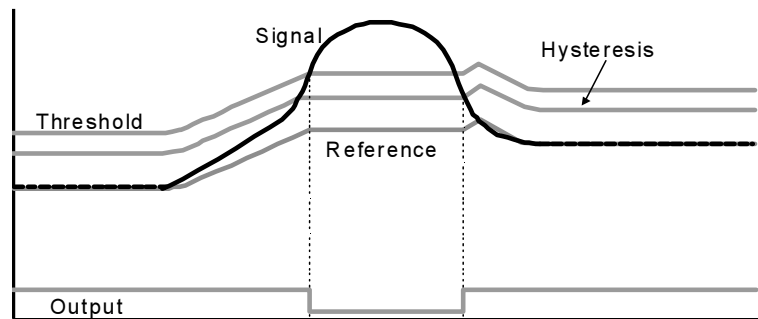
After the Max On-Duration interval, the sensor will once again function normally to the best of its ability given electrode conditions. There are two finite timeout durations available via strap option: 10 and 60 seconds (Table 2-1).

**2.1.4 DETECTION INTEGRATOR**

It is desirable to suppress detections generated by electrical noise or from quick brushes with an object. To accomplish this, the QT113 incorporates a detect integration counter that increments with each detection until a limit is reached, after which the output is activated. If no detection is sensed prior to the final count, the counter is reset immediately to zero. In the QT113, the required count is 3.

The Detection Integrator can also be viewed as a 'consensus' filter, that requires three successive detections to create an output.

**Figure 2-1 Drift Compensation**



### 2.1.5 FORCED SENSOR RECALIBRATION

The QT113 has no recalibration pin; a forced recalibration is accomplished only when the device is powered up. However, supply drain is low so it is a simple matter to treat the entire IC as a controllable load; simply driving the QT113's Vdd pin directly from another logic gate or a microcontroller port (Figure 2-2) will serve as both power and 'forced recal'. The source resistance of most CMOS gates and microcontrollers are low enough to provide direct power without problem. Note that many 8051-based micros have only a weak pullup drive capability and will require CMOS buffering. 74HC or 74AC series gates can directly power the QT113, as can most other microcontrollers.

Option strap configurations are read by the QT113 only on powerup. Configurations can only be changed by powering the QT113 down and back up again; again, a microcontroller can directly alter most of the configurations and cycle power to put them in effect.

### 2.1.6 RESPONSE TIME

The QT113's response time is highly dependent on burst length, which in turn is dependent on Cs and Cx (see Figures 4-1, 4-2). With increasing Cs, response time slows, while increasing levels of Cs reduce response time. Figure 4-3 shows the typical effects of Cs and Cx on response time.

## 2.2 OUTPUT FEATURES

The QT113 is designed for maximum flexibility and can accommodate most popular sensing requirements. These are selectable using strap options on pins OPT1 and OPT2. All options are shown in Table 2-1.

### 2.2.1 DC MODE OUTPUT

The output of the QT113 can respond in a DC mode, where the output is active-low upon detection. The output will remain active-low for the duration of the detection, or until the Max On-Duration expires (if not infinite), whichever occurs first. If a max on-duration timeout occurs first, the sensor performs a full recalibration and the output becomes inactive until the next detection.

In this mode, three Max On-Duration timeouts are available: 10 seconds, 60 seconds, and infinite.

Infinite timeout is useful in applications where a prolonged detection can occur and where the output must reflect the detection no matter how long. In infinite timeout mode, the designer should take care to be sure that drift in Cs, Cx, and

Vdd do not cause the device to 'stick on' inadvertently even when the target object is removed from the sense field.

### 2.2.2 TOGGLE MODE OUTPUT

This makes the sensor respond in an on/off mode like a flip flop. It is most useful for controlling power loads, for example in kitchen appliances, power tools, light switches, etc.

Max On-Duration in Toggle mode is fixed at 10 seconds. When a timeout occurs, the sensor recalibrates but leaves the output toggle state unchanged.

### 2.2.3 HEARTBEAT™ OUTPUT

The QT113 output has a full-time HeartBeat™ 'health' indicator superimposed on it. This operates by taking 'Out' into a 3-state mode for 300µs once after every QT burst. This output state can be used to determine that the sensor is operating properly, or, it can be ignored using one of several simple methods.

**Table 2-1 Output Mode Strap Options**

	Tie Pin 3 to:	Tie Pin 4 to:	Max On-Duration
DC Out	Vdd	Vdd	10s
DC Out	Vdd	Gnd	60s
Toggle	Gnd	Gnd	10s
DC Out	Gnd	Vdd	infinite

The HeartBeat indicator can be sampled by using a pulldown resistor on Out, and feeding the resulting negative-going pulse into a counter, flip flop, one-shot, or other circuit. Since Out is normally high, a pulldown resistor will create negative HeartBeat pulses (Figure 2-3) when the sensor is not detecting an object; when detecting an object, the output will remain low for the duration of the detection, and no HeartBeat pulse will be evident.

If the sensor is wired to a microcontroller as shown in Figure 2-4, the microcontroller can reconfigure the load resistor to either ground or Vcc depending on the output state of the QT113, so that the pulses are evident in either state.

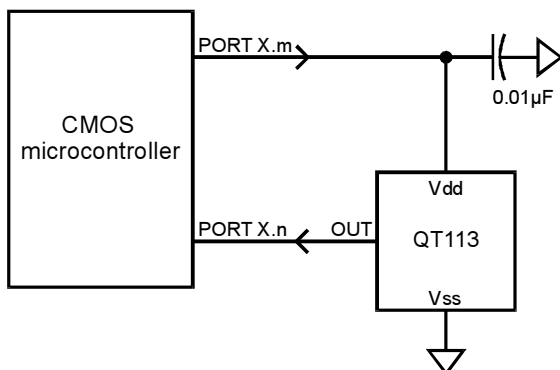
Electromechanical devices like relays will usually ignore this short pulse. The pulse also has too low a duty cycle to visibly affect LED's. It can be filtered completely if desired, by adding an RC timeconstant to filter the output, or if interfacing directly and only to a high-impedance CMOS input, by doing nothing or at most adding a small non-critical capacitor from Out to ground (Figure 2-5).

### 2.2.4 OUTPUT DRIVE

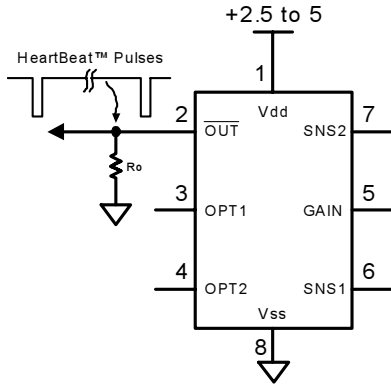
The QT113's `output is active low and can sink up to 5mA of non-inductive current. If an inductive load is used, such as a small relay, the load should be diode clamped to prevent damage. When set to operate in a proximity mode (at high gain) the current should be limited to 1mA to prevent gain shifting side effects from occurring, which happens when the load current creates voltage drops on the die and bonding wires; these small shifts can materially influence the signal level to cause detection instability as described below.

Care should be taken when the QT113 and the load are both powered from the same supply, and the supply is minimally regulated. The QT113 derives its internal references from the power supply, and sensitivity shifts can occur with changes in Vdd, as happens when loads are switched on. This can

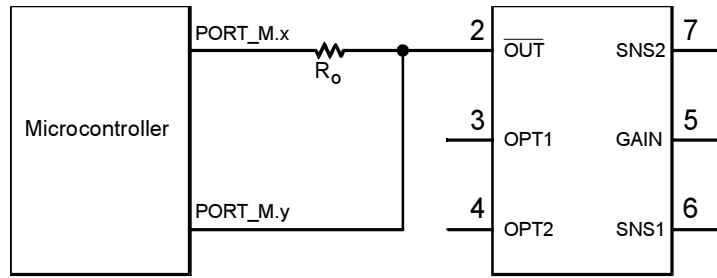
**Figure 2-2 Powering From a CMOS Port Pin**



**Figure 2-3**  
Getting HearBeat pulses with a pull-down resistor



**Figure 2-4**  
Using a micro to obtain HB pulses in either output state



induce detection 'cycling', whereby an object is detected, the load is turned on, the supply sags, the detection is no longer sensed, the load is turned off, the supply rises and the object is reacquired, *ad infinitum*. To prevent this occurrence, the output should only be lightly loaded if the device is operated from an unregulated supply, e.g. batteries. Detection 'stiction', the opposite effect, can occur if a load is shed when Out is active.

The output of the QT113 can directly drive a resistively limited LED. The LED should be connected with its cathode to the output and its anode towards Vcc, so that it lights when the sensor is active. If desired the LED can be connected from Out to ground, and driven on when the sensor is inactive.

## 3 - CIRCUIT GUIDELINES

### 3.1 SAMPLE CAPACITOR

Charge sampler Cs can be virtually any plastic film or medium-K ceramic capacitor. The acceptable Cs range is from 10nF to 500nF depending on the sensitivity required; larger values of Cs demand higher stability to ensure reliable sensing. Acceptable capacitor types include PPS film, polypropylene film, NPO/C0G ceramic, and X7R ceramic.

### 3.2 OPTION STRAPPING

The option pins Opt1 and Opt2 should never be left floating. If they are floated, the device will draw excess power and the options will not be properly read on powerup. Intentionally,

there are no pullup resistors on these lines, since pullup resistors add to power drain if tied low.

The Gain input should be connected to either Vdd or Gnd.

Tables 1-1 and 2-1 show the option strap configurations available.

### 3.4 POWER SUPPLY, PCB LAYOUT

The power supply can range from 2.5 to 5.0 volts. At 3 volts current drain averages less than 600µA in most cases, but can be higher if Cs is large. Increasing Cx values will actually decrease power drain. Operation can be from batteries, but be cautious about loads causing supply droop (see *Output Drive*, Section 2.2.4).

As battery voltage sags with use or fluctuates slowly with temperature, the QT113 will track and compensate for these changes automatically with only minor changes in sensitivity.

If the power supply is shared with another electronic system, care should be taken to assure that the supply is free of digital spikes, sags, and surges which can adversely affect the QT113. The QT113 will track slow changes in Vdd, but it can be affected by rapid voltage steps.

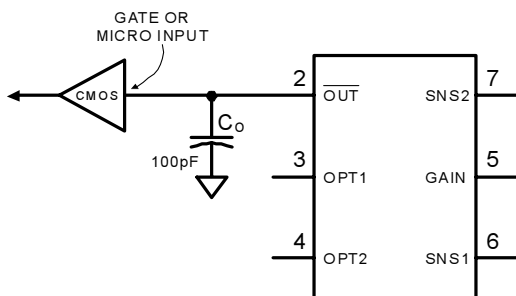
if desired, the supply can be regulated using a conventional low current regulator, for example CMOS regulators that have low quiescent currents. Bear in mind that such regulators generally have very poor transient line and load stability; in some cases, shunting Vdd to Vss with a 4.7K resistor to induce a continuous current drain can have a very positive effect on regulator performance.

**Parts placement:** The chip should be placed to minimize the SNS2 trace length to reduce low frequency pickup, and to reduce stray Cx which degrades gain. The Cs and Rseries resistors (see Figure 1-1) should be placed as close to the body of the chip as possible so that the SNS2 trace between Rseries and the SNS2 pin is very short, thereby reducing the antenna-like ability of this trace to pick up high frequency signals and feed them directly into the chip.

For best EMC performance the circuit should be made entirely with SMT components.

**SNS trace routing:** Keep the SNS2 electrode trace (and the electrode itself) away from other signal, power, and ground traces including over or next to ground planes. Adjacent switching signals can induce noise onto the sensing signal;

**Figure 2-5 Eliminating HB Pulses**



any adjacent trace or ground plane next to or under either SNS trace will cause an increase in Cx load and desensitize the device.

***For proper operation a 100nF (0.1uF) ceramic bypass capacitor must be used directly between Vdd and Vss; the bypass cap should be placed very close to the device's power pins.***

### 3.5 ESD PROTECTION

The QT113 includes internal diode protection on its pins to absorb and protect the device from most induced discharges, up to 20mA. The electrode should always be insulated against direct ESD; a glass or plastic panel is usually enough as a barrier to ESD. Glass breakdown voltages are typically over 10kV per mm thickness.

ESD protection can be enhanced by adding a series resistor Rseries (see Figure 1-1) in line with the electrode, of value between 1K and 50K ohms. The optimal value depends on the amount of load capacitance Cx; a high value of Cx means Rseries has to be low. The pulse waveform on the electrode should be observed on an oscilloscope, and the pulse should look very flat just before the falling edge. If the pulse voltage never flattens, the gain of the sensor is reduced and there can be sensing instabilities.

***Rseries and Cs should both be placed very close to the chip.***

The use of semiconductor transient protection devices, Zeners, or MOV's on the sense lead is not advised; these devices have extremely large amounts of parasitic capacitance which will swamp the QT113 and render it unstable or diminish gain.

### 3.6 EMC ISSUES

External AC fields (EMI) due to RF transmitters or electrical noise sources can cause false detections or unexplained shifts in sensitivity.

The influence of external fields on the sensor is reduced by means of the Rseries described above in Section 3.5. The Cs capacitor and Rseries (see Figure 1-1) form a natural low-pass filter for incoming RF signals; the roll-off frequency of this network is defined by -

$$F_R = \frac{1}{2\pi R_{series} C_s}$$

If for example Cs = 22nF, and Rseries = 10K ohms, the rolloff frequency to EMI is 723Hz, vastly lower than any credible external noise source (except for mains frequencies). However, Rseries and Cs must both be placed very close to the body of the IC so that the lead lengths between them and the IC do not form an unfiltered antenna at very high frequencies.

## 4.1 ABSOLUTE MAXIMUM SPECIFICATIONS

Operating temp. ....	as designated by suffix
Storage temp. ....	-55°C to +125°C
V <sub>DD</sub> . ....	-0.5 to +6.5V
Max continuous pin current, any control or drive pin . . . . .	±20mA
Short circuit duration to ground, any pin . . . . .	infinite
Short circuit duration to V <sub>DD</sub> , any pin . . . . .	infinite
Voltage forced onto any pin . . . . .	-0.6V to (V <sub>DD</sub> + 0.6) Volts

## 4.2 RECOMMENDED OPERATING CONDITIONS

V <sub>DD</sub> . ....	+2.5 to 5.5V
Short-term supply ripple+noise . . . . .	±5mV
Long-term supply stability . . . . .	±100mV
Cs value. ....	10nF to 500nF
Cx value. ....	0 to 100pF

## 4.3 AC SPECIFICATIONS V<sub>DD</sub> = 3.0, T<sub>a</sub> = recommended operating range, C<sub>s</sub>=100nF unless noted

Parameter	Description	Min	Typ	Max	Units	Notes
T <sub>RC</sub>	Recalibration time		550		ms	C <sub>s</sub> , C <sub>x</sub> dependent
T <sub>PC</sub>	Charge duration		2		µs	
T <sub>PT</sub>	Transfer duration		2		µs	
T <sub>BS</sub>	Burst spacing interval	2.1		80	ms	C <sub>s</sub> = 10nF to 500nF; C <sub>x</sub> = 0
T <sub>BL</sub>	Burst length	0.5		75	ms	C <sub>s</sub> = 10nF to 500nF; C <sub>x</sub> = 0
T <sub>R</sub>	Response time		30		ms	C <sub>x</sub> = 10pF; See Figure 4-3
T <sub>HB</sub>	Heartbeat pulse width		300		µs	

## 4.4 SIGNAL PROCESSING

Description	Min	Typ	Max	Units	Notes
Threshold differential	6 or 12			counts	Option pin selected
Hysteresis	17			%	Note 1
Consensus filter length	3			samples	
Positive drift compensation rate		1,000		ms/level	
Negative drift compensation rate		100		ms/level	
Post-detection recalibration timer duration	10, 60, infinite			secs	Option pin selected

**Note 1:** Percentage of signal threshold



## 4.5 DC SPECIFICATIONS

V<sub>DD</sub> = 3.0V, C<sub>s</sub> = 10nF, C<sub>x</sub> = 5pF, T<sub>A</sub> = recommended range, unless otherwise noted

Parameter	Description	Min	Typ	Max	Units	Notes
V <sub>DD</sub>	Supply voltage	2.45		5.25	V	
I <sub>DD</sub>	Supply current		600	1,500	μA	
V <sub>DDS</sub>	Supply turn-on slope	100			V/s	Required for proper startup
V <sub>IL</sub>	Low input logic level			0.8	V	OPT1, OPT2
V <sub>HL</sub>	High input logic level	2.2			V	OPT1, OPT2
V <sub>OL</sub>	Low output voltage			0.6	V	OUT, 4mA sink
V <sub>OH</sub>	High output voltage	V <sub>DD</sub> -0.7			V	OUT, 1mA source
I <sub>IL</sub>	Input leakage current			±1	μA	OPT1, OPT2
C <sub>X</sub>	Load capacitance range	0		100	pF	
AR	Acquisition resolution		9	14	bits	
S	Sensitivity range	1,000		28	fF	Note 2

Note 2: Sensitivity depends on value of C<sub>x</sub> and C<sub>s</sub>. Refer to Figures 4-1, 4-2.

Figure 4-1 - Typical Threshold Sensitivity vs. C<sub>x</sub>, High Gain, at Selected Values of C<sub>s</sub>; V<sub>DD</sub> = 3.0

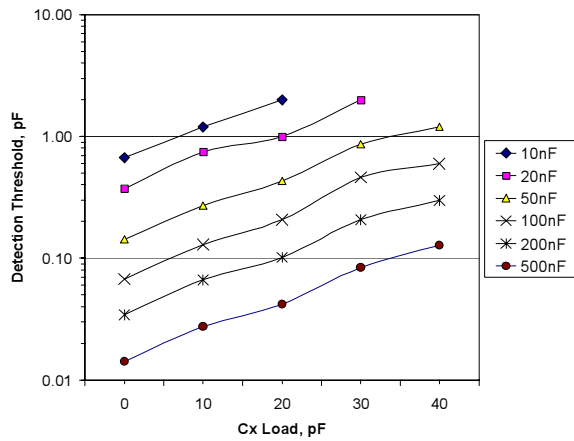


Figure 4-2 - Typical Threshold Sensitivity vs. C<sub>x</sub>, Low Gain, at Selected Values of C<sub>s</sub>; V<sub>DD</sub> = 3.0

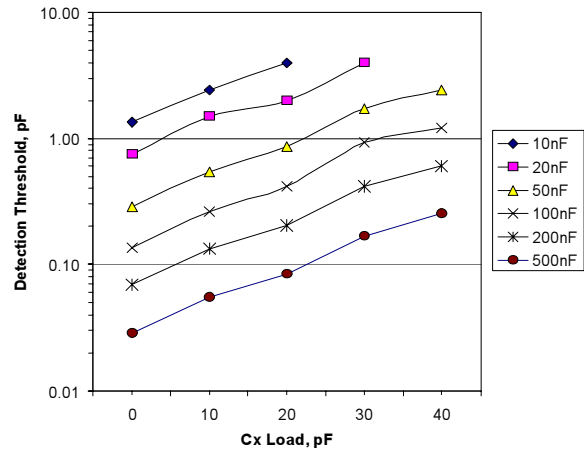
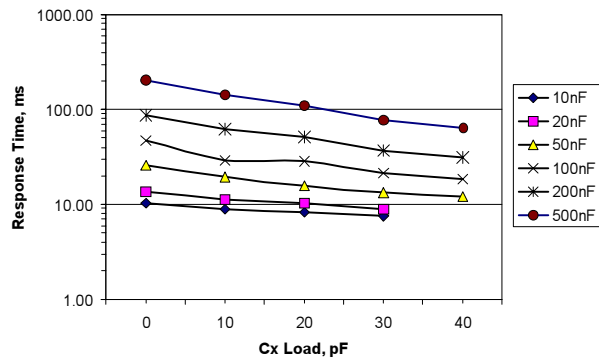
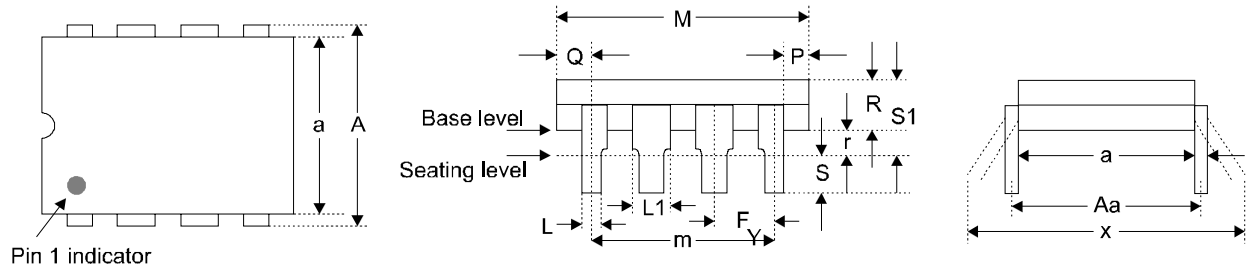


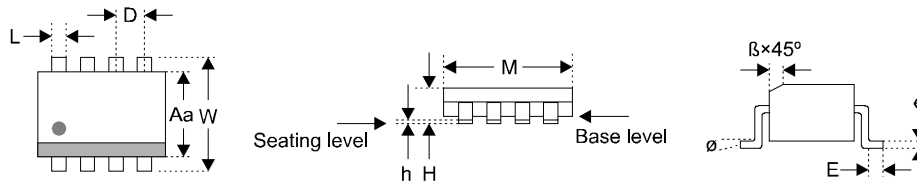
Chart 4-3 - Typical Response Time vs. C<sub>x</sub>; V<sub>DD</sub> = 3.0



## 4.6 MECHANICAL



8-pin Dual-In-Line						
SYMBOL	Millimeters			Inches		
	Min	Max	Notes	Min	Max	Notes
a	6.096	7.112		0.24	0.28	
A	7.62	8.255		0.3	0.325	
M	9.017	10.922	Typical	0.355	0.43	Typical
m	7.62	7.62	BSC	0.3	0.3	BSC
Q	0.889	-		0.035	-	
P	0.254	-		0.01	-	
L	0.355	0.559		0.014	0.022	
L1	1.397	1.651		0.055	0.065	
F	2.489	2.591	Typical	0.098	0.102	Typical
R	3.048	3.81		0.12	0.15	
r	0.381	-		0.015	-	
S	3.048	3.556		0.12	0.14	
S1	-	4.064		-	0.16	
Aa	7.62	7.062	BSC	0.3	0.3	BSC
x	8.128	9.906		0.32	0.39	
Y	0.203	0.381		0.008	0.015	



8-pin SOIC						
SYMBOL	Millimeters			Inches		
	Min	Max	Notes	Min	Max	Notes
M	4.800	4.979		0.189	0.196	
W	5.816	6.198		0.229	0.244	
Aa	3.81	3.988		0.15	0.157	
H	1.371	1.728		0.054	0.068	
h	0.101	0.762		0.004	0.01	
D	1.27	1.27	BSC	0.050	0.05	BSC
L	0.355	0.483		0.014	0.019	
E	0.508	1.016		0.02	0.04	
e	0.19	0.249		0.007	0.01	
β	0.381	0.762		0.229	0.03	
∅	0°	8°		0°	8°	

## 5 - ORDERING INFORMATION

<b>PART</b>	<b>TEMP RANGE</b>	<b>PACKAGE</b>	<b>MARKING</b>
QT113-DG	0 - 70C	PDIP Lead-Free	QT113-G
QT113-ISG	-40 - 85C	SOIC-8 Lead-Free	QT1 + FG or QT113-IG



Copyright © 2001-2004 QRG Ltd. All rights reserved  
Patented and patents pending worldwide

### Corporate Headquarters

1 Mitchell Point  
Ensign Way, Hamble SO31 4RF  
Great Britain

Tel: +44 (0)23 8056 5600 Fax: +44 (0)23 80565600

**[www.qprox.com](http://www.qprox.com)**

### North America

651 Holiday Drive Bldg. 5 / 300  
Pittsburgh, PA 15220 USA  
Tel: 412-391-7367 Fax: 412-291-1015

This device covered under one or more of the following United States and international patents: 5,730,165, 6,288,707, 6,377,009, 6,452,514, 6,457,355, 6,466,036, 6,535,200. Numerous further patents are pending which may apply to this device or the applications thereof.

The specifications set out in this document are subject to change without notice. All products sold and services supplied by QRG are subject to our Terms and Conditions of sale and supply of services which are available online at [www.qprox.com](http://www.qprox.com) and are supplied with every order acknowledgement. QProx, QTouch, QMatrix, QLevel, and QSlide are trademarks of QRG. QRG products are not suitable for medical (including lifesaving equipment), safety or mission critical applications or other similar purposes. Except as expressly set out in QRG's Terms and Conditions, no licenses to patents or other intellectual property of QRG (express or implied) are granted by QRG in connection with the sale of QRG products or provision of QRG services. QRG will not be liable for customer product design and customers are entirely responsible for their products and applications which incorporate QRG's products.