

DATA SHEET

TDA5636B; TDA5637B 9 V VHF hyperband and UHF mixer/oscillator for TV and VCR 3-band tuners

Product specification
Supersedes data of 1995 August 01
File under Integrated Circuits, IC02

1996 Dec 02

9 V VHF hyperband and UHF mixer/oscillator for TV and VCR 3-band

TDA5636B; TDA5637B

FEATURES

- Balanced mixer with a common emitter input for band A (single input)
- 2-pin oscillator for bands A and B
- Balanced mixer with a common base input for bands B and C (balanced input)
- 4-pin oscillator for band C
- Local oscillator buffer output for external prescaler
- SAW filter preamplifier with a low output impedance to drive the SAW filter directly
- Band gap voltage stabilizer for oscillator stability
- Electronic band switch
- External IF filter between the mixer output and the IF amplifier input
- Pin-to-pin compatible with TDA5636; TDA5637 family (same function with asymmetrical IF output).

APPLICATIONS

- 3-band all channel TV and VCR tuners
- Any standard.

GENERAL DESCRIPTION

The TDA5636B and TDA5637B are monolithic integrated circuits that perform the mixer/oscillator functions for bands A, B and C in TV and VCR tuners. These low-power mixer/oscillators require a power supply of 9 V and are available in a very small package.

The devices give the designer the capability to design an economical and physically small 3-band tuner.

They are suitable for European standards, as illustrated in Fig.17, with the following RF bands:

- 48.25 to 168.25 MHz
- 175.25 to 447.25 MHz
- 455.25 to 855.25 MHz.

With an appropriate tuned circuit, they are also suitable for NTSC all channel tuners (USA and Japan). The tuner development time can be drastically reduced by using these devices.

These circuits belong to the TDA5636/TDA5737 family which has exactly the same function with an IF amplifier having an asymmetrical IF output to drive a 75 Ω load. It is possible to build tuners with either an asymmetrical or a symmetrical IF output with one main tuner lay-out.

9 V VHF hyperband and UHF mixer/oscillator for TV and VCR 3-band tuners

TDA5636B; TDA5637B

QUICK REFERENCE DATA

SYMBOL	PARAMETER	CONDITIONS	MIN.	TYP.	MAX.	UNIT
V_P	supply voltage		–	9.0	–	V
I_P	supply current	band A	–	43	–	mA
		band B	–	39	–	mA
		band C	–	42	–	mA
f_{RF}	frequency range	RF input; band A; note 1	45	–	180	MHz
		RF input; band B; note 1	160	–	470	MHz
		RF input; band C; note 1	430	–	860	MHz
G_V	voltage gain	band A	–	25	–	dB
		band B	–	36	–	dB
		band C	–	36	–	dB
NF	noise figure	band A	–	7.5	–	dB
		band B	–	6	–	dB
		band C	–	7	–	dB
V_o	output voltage to get 1% cross modulation in channel	band A	–	121	–	dB μ V
		band B	–	120	–	dB μ V
		band C	–	119	–	dB μ V

Note

- The limits are related to the tank circuits used in Fig.17 and the intermediate frequency. Frequency bands may be adjusted by the choice of external components.

ORDERING INFORMATION

TYPE NUMBER	PACKAGE		
	NAME	DESCRIPTION	VERSION
TDA5636BT ⁽¹⁾	SO24	plastic small outline package; 24 leads; body width 7.5 mm	SOT137-1
TDA5636BM	SSOP24	plastic shrink small outline package; 24 leads; body width 5.3 mm	SOT340-1
TDA5637BT	SO24	plastic small outline package; 24 leads; body width 7.5 mm	SOT137-1
TDA5637BM	SSOP24	plastic shrink small outline package; 24 leads; body width 5.3 mm	SOT340-1

Note

- The TDA5636BT is available on request.

9 V VHF hyperband and UHF
 mixer/oscillator for TV and VCR 3-band

TDA5636B; TDA5637B

BLOCK DIAGRAM

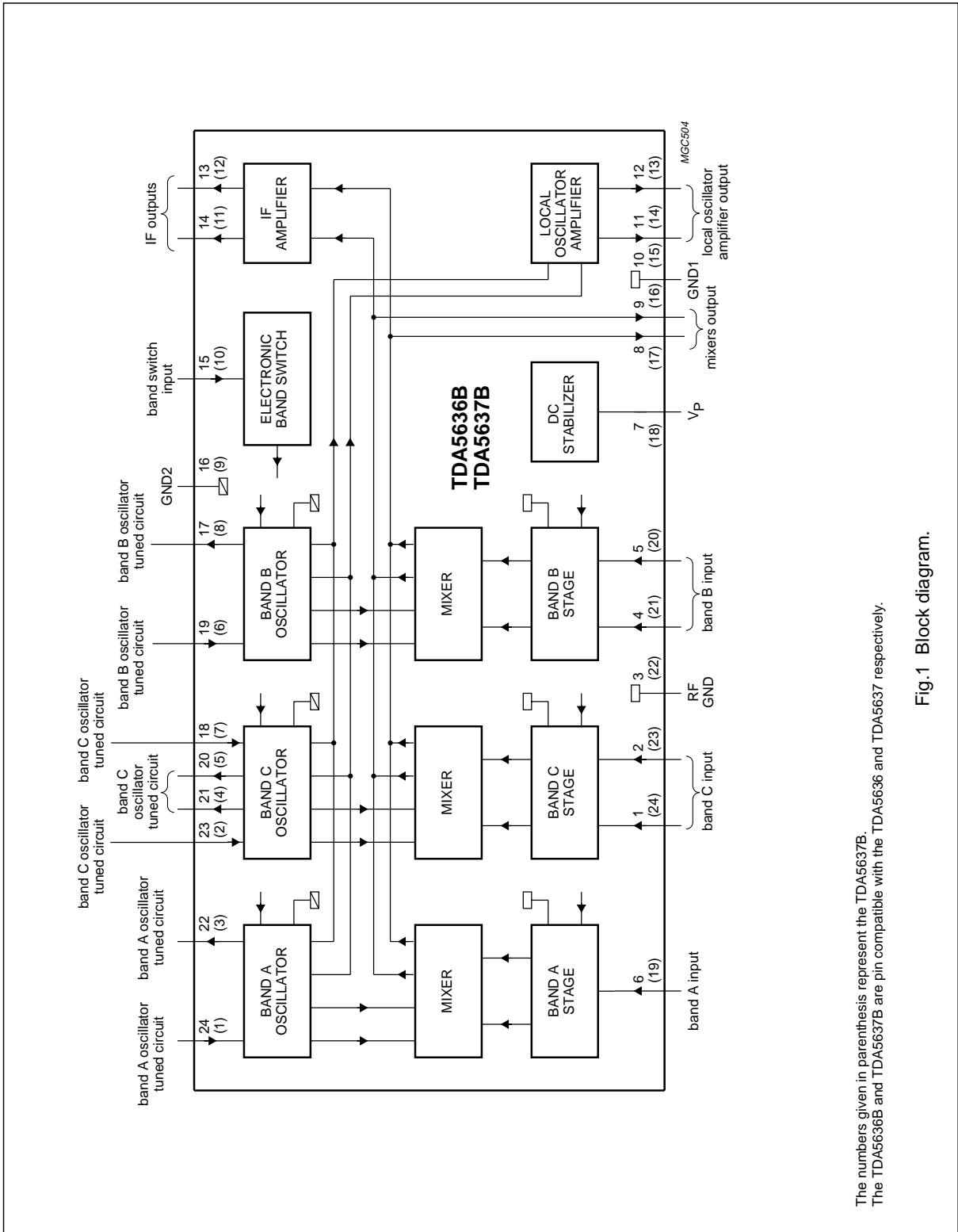


Fig.1 Block diagram.

The numbers given in parenthesis represent the TDA5637B.
 The TDA5636B and TDA5637B are pin compatible with the TDA5636 and TDA5637 respectively.

9 V VHF hyperband and UHF mixer/oscillator for TV and VCR 3-band tuners

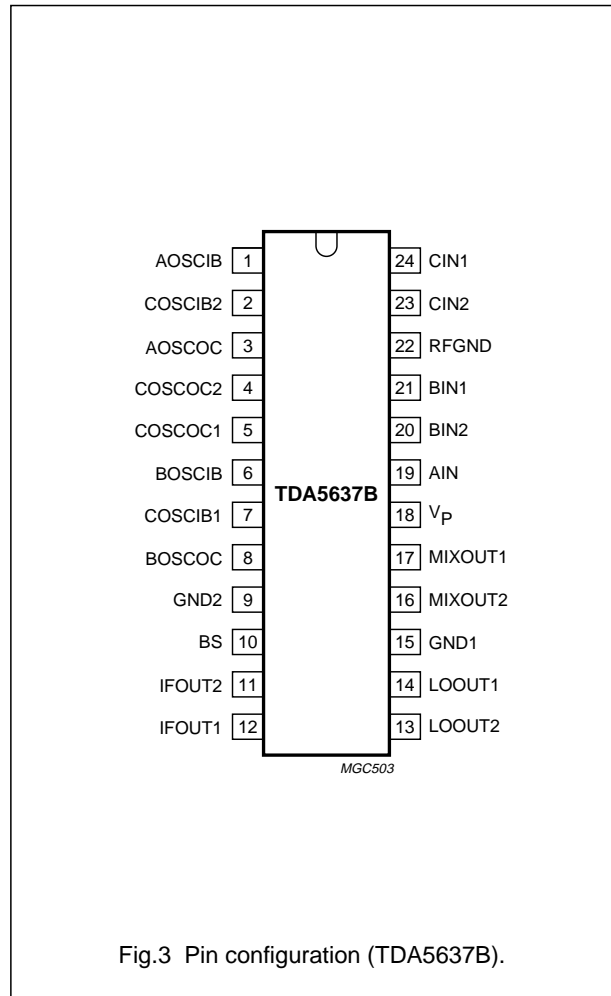
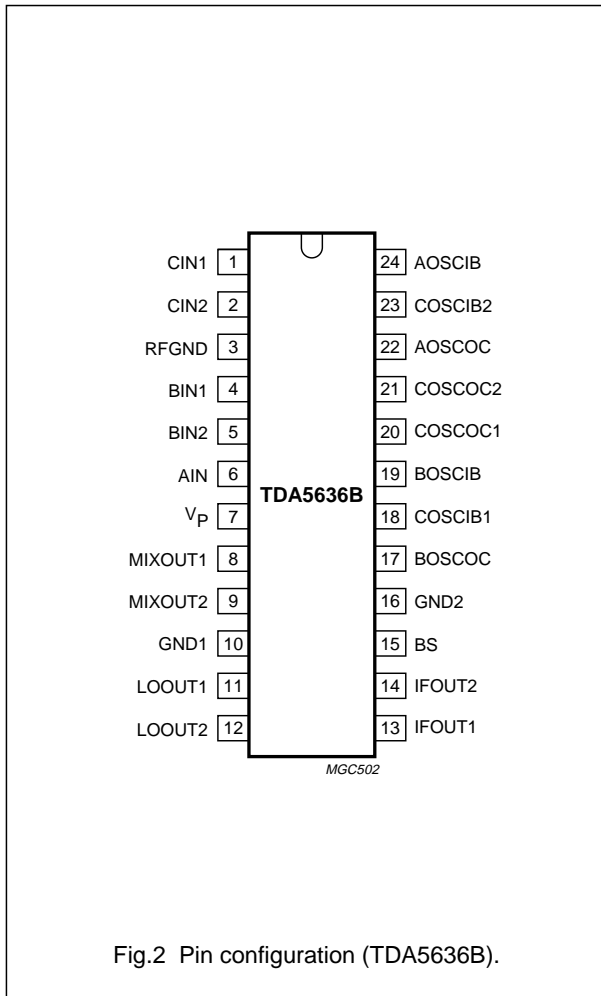
TDA5636B; TDA5637B

PINNING

SYMBOL	PIN		DESCRIPTION
	TDA5636B	TDA5637B	
CIN1	1	24	band C input 1
CIN2	2	23	band C input 2
RFGND	3	22	ground for RF inputs
BIN1	4	21	band B input 1
BIN2	5	20	band B input 2
AIN	6	19	band A input
V _P	7	18	supply voltage
MIXOUT1	8	17	mixers output 1
MIXOUT2	9	16	mixers output 2
GND1	10	15	ground 1 (0 V)
LOOUT1	11	14	local oscillator amplifier output 1
LOOUT2	12	13	local oscillator amplifier output 2
IFOUT1	13	12	IF amplifier output 1
IFOUT2	14	11	IF amplifier output 2
BS	15	10	electronic band switch input
GND2	16	9	ground 2 (0 V)
BOSCO	17	8	band B oscillator output collector
COSCIB1	18	7	band C oscillator input base 1
BOSCIB	19	6	band B oscillator input base
COSCO1	20	5	band C oscillator output collector 1
COSCO2	21	4	band C oscillator output collector 2
AOSCO	22	3	band A oscillator output collector
COSCIB2	23	2	band C oscillator input base 2
AOSCIB	24	1	band A oscillator input base

9 V VHF hyperband and UHF mixer/oscillator
for TV and VCR 3-band tuners

TDA5636B; TDA5637B



9 V VHF hyperband and UHF mixer/oscillator for TV and VCR 3-band tuners

TDA5636B; TDA5637B

LIMITING VALUES

In accordance with the Absolute Maximum Rating System (IEC 134).

SYMBOL	PARAMETER	MIN.	MAX.	UNIT
V_P	supply voltage	-0.3	+10.5	V
V_{SW}	switching voltage	0	+10.5	V
I_O	output current of each pin to ground	-	-10	mA
$t_{sc(max)}$	maximum short-circuit time (all pins)	-	10	s
T_{stg}	IC storage temperature	-55	+150	°C
T_{amb}	operating ambient temperature	-10	+80	°C
T_j	junction temperature	-	+150	°C

HANDLING

Human Body Model:

- For TDA5636B GND (10) (16), RFGND (3), and V_P (7) are separate.
- For TDA5637B GND (9) (15), RFGND (22), and V_P (18) are separate.

All pins withstand 2000 V in accordance with the "UZW-B0/FQ-A302" specification equivalent to the "MIL-STD-883C" category B (2000 V); R = 1500 Ω ; C = 100 pF.

Machine Model:

- For TDA5636B GND (10) (16), RFGND (3), and V_P (7) are separate.
- For TDA5637B GND (9) (15), RFGND (22), and V_P (18) are separate.

All pins withstand 175 V in accordance with the "UZW-B0/FQ-A302" specification (date of issue: Nov 6th, 1990); R = 0 Ω ; C = 200 pF.

THERMAL CHARACTERISTICS

SYMBOL	PARAMETER	VALUE	UNIT
$R_{th\ j-a}$	thermal resistance from junction to ambient in free air		
	SSOP24	120	K/W
	SO24	75	K/W

9 V VHF hyperband and UHF mixer/oscillator for TV and VCR 3-band tuners

TDA5636B; TDA5637B

CHARACTERISTICS

$V_P = 9\text{ V}$; $T_{\text{amb}} = 25\text{ }^\circ\text{C}$; measured in circuit of Fig.17; unless otherwise specified.

SYMBOL	PARAMETER	CONDITIONS	MIN.	TYP.	MAX.	UNIT
Supply						
V_P	supply voltage		8.1	9.0	9.9	V
I_P	supply current	band A	–	43	48	mA
		band B	–	39	44	mA
		band C	–	42	47	mA
V_{SW}	switching voltage	band A	0	–	1.1	V
		band B	1.6	–	2.4	V
		band C	3.0	–	V_P	V
I_{SW}	switching current	band A	–	–	2	μA
		band B	–	–	5	μA
		band C; $V_{SW(C)} = 5\text{ V}$	–	–	10	μA
Band A mixer (including IF amplifier)						
f_{RF}	RF frequency	note 1	45	–	180	MHz
G_v	voltage gain	$f_{RF} = 50\text{ MHz}$; see Fig.4; note 2	22.5	25.0	27.5	dB
		$f_{RF} = 180\text{ MHz}$; see Fig.4; note 2	22.5	25.0	27.5	dB
NF	noise figure	$f_{RF} = 50\text{ MHz}$; see Figs 5 and 6	–	7.5	9.5	dB
		$f_{RF} = 180\text{ MHz}$; see Figs 5 and 6	–	7.5	9.5	dB
V_o	output voltage	1% cross modulation in channel; $f_{RF} = 50\text{ MHz}$; see Fig.7	118	121	–	dB μV
		1% cross modulation in channel; $f_{RF} = 180\text{ MHz}$; see Fig.7	119	122	–	dB μV
V_i	input voltage	10 kHz pulling in channel; $f_{RF} = 180\text{ MHz}$; note 3	–	104	–	dB μV
g_{os}	optimum source conductance	$f_{RF} = 50\text{ MHz}$	–	0.5	–	mS
		$f_{RF} = 180\text{ MHz}$	–	1	–	mS
Y_i	input admittance	see Fig.12	–	–	–	mS
C_i	input capacitance	$f_{RF} = 50\text{ to }180\text{ MHz}$; see Fig.12	–	2	–	pF
Band A oscillator						
f_{OSC}	oscillator frequency	note 4	80	–	216	MHz
f_{shift}	frequency shift	$\Delta V_P = 10\%$; note 5	–	–	200	kHz
f_{drift}	frequency drift	$\Delta T = 25\text{ }^\circ\text{C}$ with no compensation; NP0 capacitors; note 6	–	–	600	kHz
		5 s to 15 min after switch on; note 7	–	–	200	kHz

9 V VHF hyperband and UHF mixer/oscillator
for TV and VCR 3-band tuners

TDA5636B; TDA5637B

SYMBOL	PARAMETER	CONDITIONS	MIN.	TYP.	MAX.	UNIT
Band B mixer (including IF amplifier)						
f_{RF}	RF frequency	note 1	160	–	470	MHz
G_v	voltage gain	$f_{RF} = 170$ MHz; see Fig.8; note 2	33	36	39	dB
		$f_{RF} = 470$ MHz; see Fig.8; note 2	33	36	39	dB
NF	noise figure (not corrected for image)	$f_{RF} = 170$ MHz; see Fig.9	–	6.0	8.0	dB
		$f_{RF} = 470$ MHz; see Fig.9	–	7.0	9.0	dB
V_o	output voltage	1% cross modulation in channel; $f_{RF} = 170$ MHz; see Fig.10	118	121	–	dB μ V
		1% cross modulation in channel; $f_{RF} = 470$ MHz; see Fig.10	117	120	–	dB μ V
V_i	input voltage	10 kHz pulling in channel; $f_{RF} = 470$ MHz; note 3	–	91	–	dB μ V
	input voltage	N+5–1 MHz pulling; $f_{RF} = 430$ MHz; see Fig.11	–	77	–	dB μ V
Z_i	input impedance ($R_s + jL_s\omega$)	$f_{RF} = 170$ to 470 MHz; see Fig.13	–	30	–	Ω
		$f_{RF} = 170$ to 470 MHz; see Fig.13	–	10	–	nH
Band B oscillator						
f_{OSC}	oscillator frequency	note 4	200	–	500	MHz
f_{shift}	frequency shift	$\Delta V_P = 10\%$; note 5	–	–	400	kHz
f_{drift}	frequency drift	$\Delta T = 25$ °C with no compensation; NP0 capacitors; note 6	–	–	2	MHz
		5 s to 15 min. after switch on; note 7	–	–	300	kHz
Band C mixer (including IF amplifier)						
f_{RF}	RF frequency	note 1	430	–	860	MHz
G_v	voltage gain	$f_{RF} = 430$ MHz; see Fig.8; note 2	33	36	39	dB
		$f_{RF} = 860$ MHz; see Fig.8; note 2	33	36	39	dB
NF	noise figure (not corrected for image)	$f_{RF} = 430$ MHz; see Fig.9	–	7.0	9.0	dB
		$f_{RF} = 860$ MHz; see Fig.9	–	8.0	10.0	dB
V_o	output voltage	1% cross modulation in channel; $f_{RF} = 430$ MHz; see Fig.10	116	119	–	dB μ V
		1% cross modulation in channel; $f_{RF} = 860$ MHz; see Fig.10	116	119	–	dB μ V
V_i	input voltage	10 kHz pulling in channel; $f_{RF} = 860$ MHz; note 3	–	103	–	dB μ V
	input voltage	N+5–1 MHz pulling; $f_{RF} = 820$ MHz; see Fig.11	–	79	–	dB μ V
Z_i	input impedance ($R_s + jL_s\omega$)	$f_{RF} = 430$ to 860 MHz; see Fig.14	–	40	–	Ω
		$f_{RF} = 430$ to 860 MHz; see Fig.14	–	10	–	nH

9 V VHF hyperband and UHF mixer/oscillator for TV and VCR 3-band tuners

TDA5636B; TDA5637B

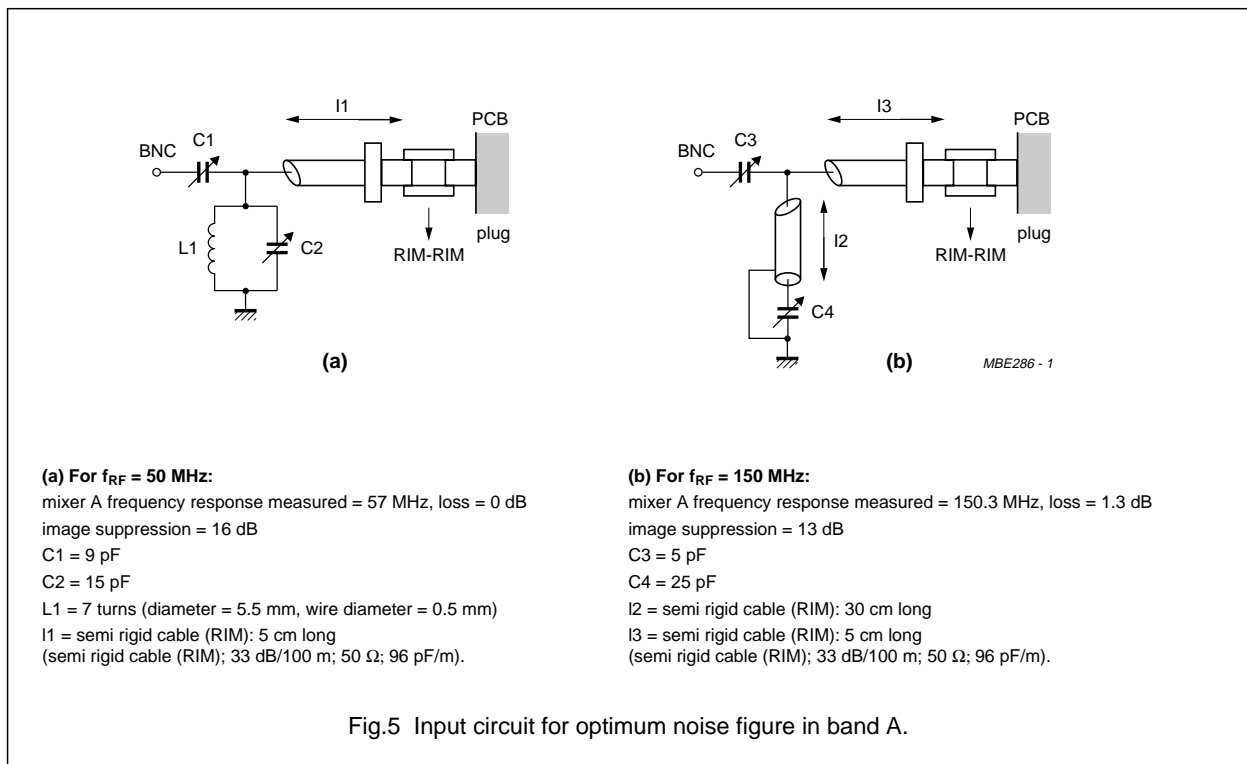
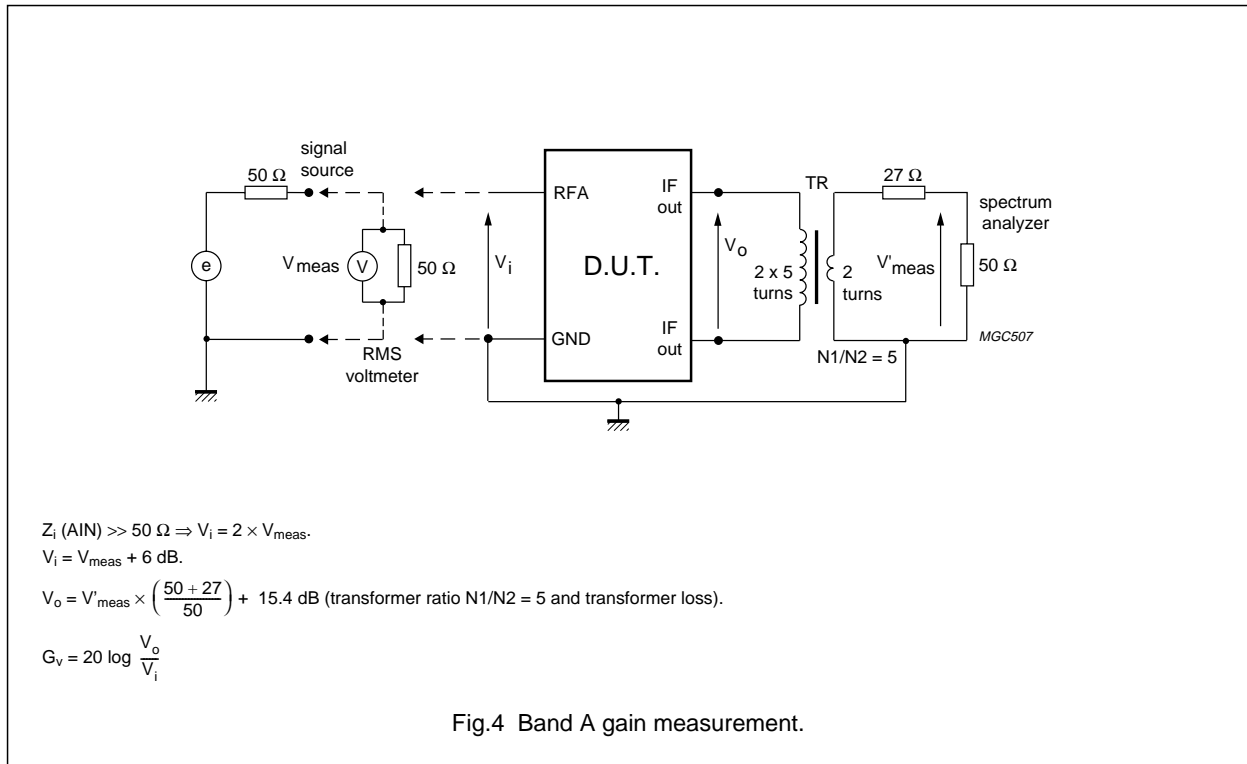
SYMBOL	PARAMETER	CONDITIONS	MIN.	TYP.	MAX.	UNIT
Band C oscillator						
f_{OSC}	oscillator frequency	note 4	470	–	900	MHz
f_{shift}	frequency shift	$\Delta V_P = 10\%$; note 5	–	–	500	kHz
f_{drift}	frequency drift	$\Delta T = 25\text{ }^\circ\text{C}$ with compensation; note 6	–	–	1400	kHz
		5 s to 15 min. after switch on; note 7	–	–	400	kHz
LO output						
S_{22}	output reflection coefficient	see Fig.16	–	–	–	
Y_o	output admittance ($Y_P + j\omega C_P$)	see Fig.16	–	400	–	Ω
		see Fig.16	–	1.0	–	pF
V_o	output voltage	$R_L = 50\ \Omega$	83	91	100	$\text{dB}\mu\text{V}$
SRF	spurious signal on LO output with respect to LO output signal	$R_L = 50\ \Omega$; note 8	–	–	–10	dBc
HLO	LO signal harmonics with respect to LO signal	$R_L = 50\ \Omega$	–	–	–10	dBc
IF amplifier characteristics						
S_{22}	output reflection coefficient	magnitude; through 1 nF; see Fig.15	–	–21.3	–	dB
		phase; through 1 nF; see Fig.15	–	49	–	deg
Z_o	output impedance ($R_s + jL_s\omega$)	R_s ; through 1 nF	–	110	–	Ω
		L_s ; through 1 nF	–	65	–	nH

Notes

- The RF frequency range is defined by the oscillator frequency range and the intermediate frequency.
- The gain is defined as the transducer gain (measured in Fig.17) plus the voltage transformation ratio of L6 to L7 (10 : 2, 15.4 dB including transformer loss).
- The input level causing 10 kHz frequency detuning at the LO output; $f_{osc} = f_{RF} + 33.4\text{ MHz}$.
- Limits are related to the tank circuits used in Fig.17. Frequency bands may be adjusted by the choice of external components.
- The frequency shift is defined as the change in oscillator frequency when the supply voltage varies from $V_P = 9$ to 8.1 V and from $V_P = 9$ to 9.9 V.
- The frequency drift is defined as the change in oscillator frequency when the ambient temperature varies from $T_{amb} = 25$ to 0 $^\circ\text{C}$ and from $T_{amb} = 25$ to 50 $^\circ\text{C}$.
- Switch on drift is defined as the change in oscillator frequency between 5 s and 15 min after switch on.
- SRF: spurious signal on LO with respect to LO output signal:
 - RF level = 120 $\text{dB}\mu\text{V}$ at $f_{RF} < 180\text{ MHz}$
 - RF level = 107.5 $\text{dB}\mu\text{V}$ at $f_{RF} = 180$ to 225 MHz
 - RF level = 97 $\text{dB}\mu\text{V}$ at $f_{RF} = 225$ to 860 MHz.

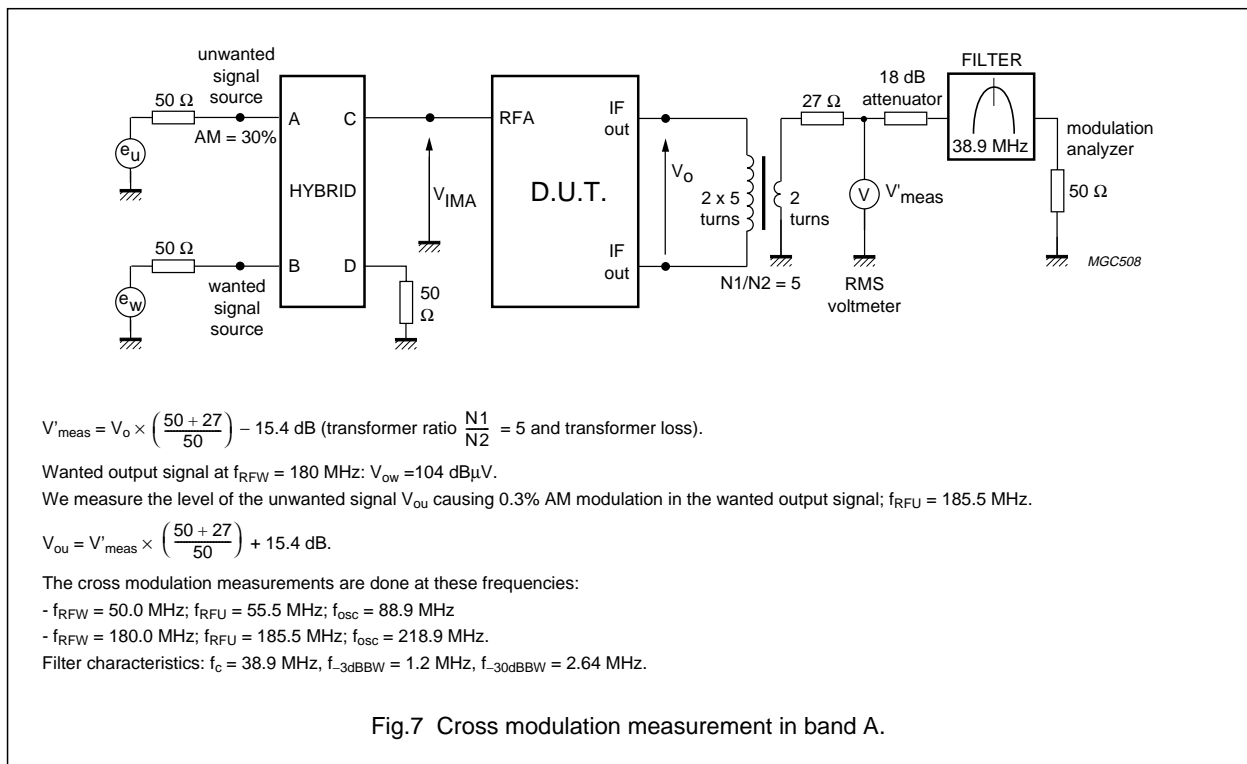
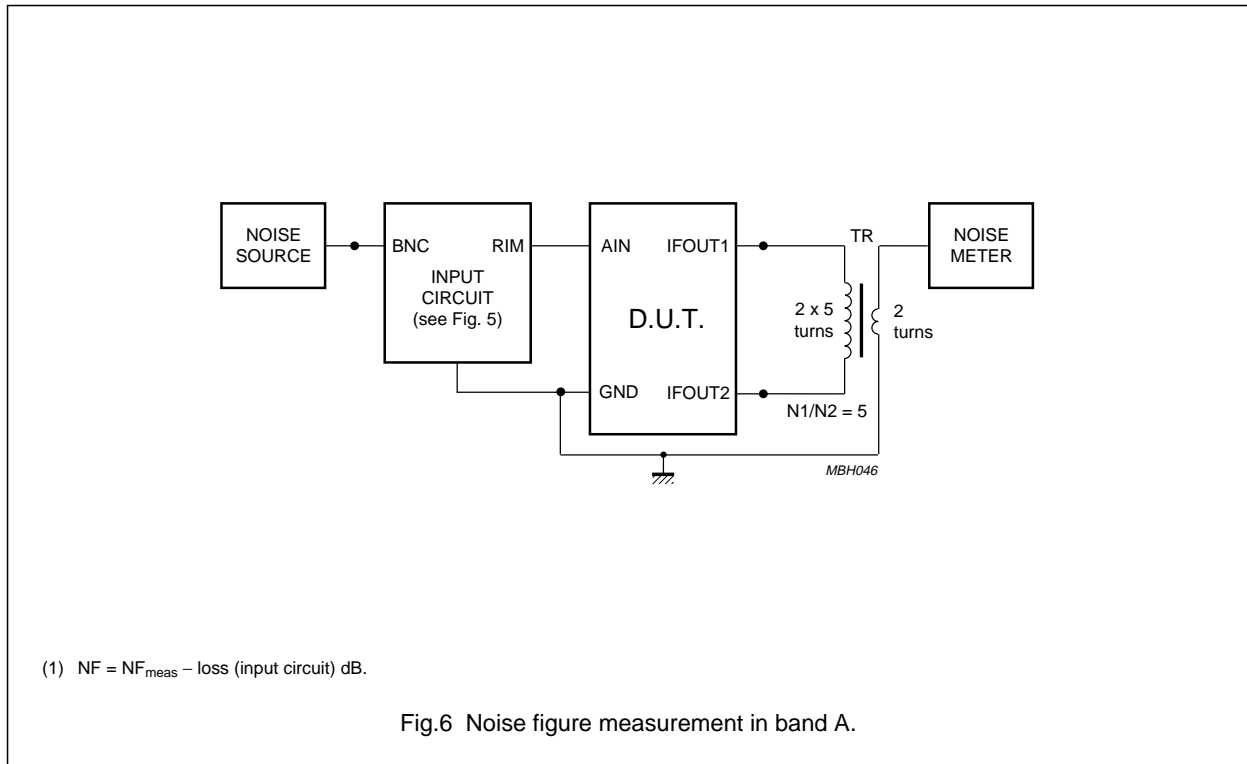
9 V VHF hyperband and UHF mixer/oscillator for TV and VCR 3-band tuners

TDA5636B; TDA5637B



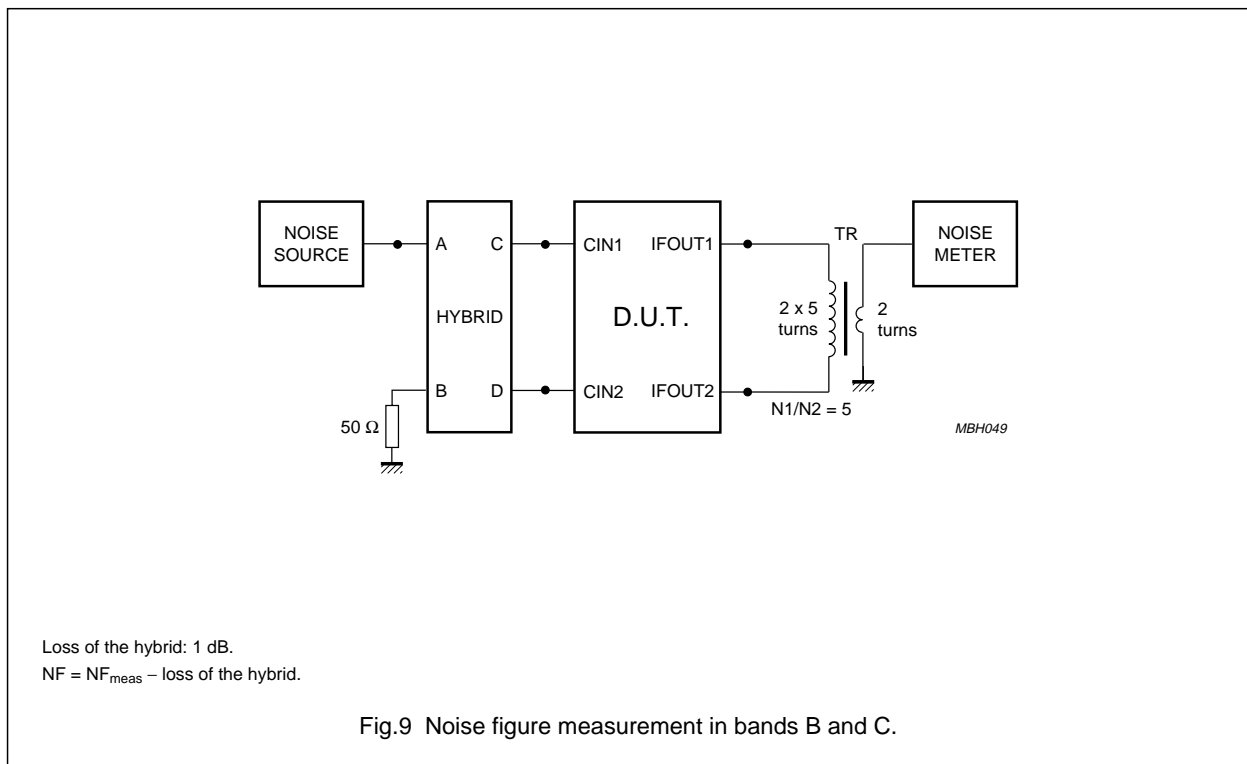
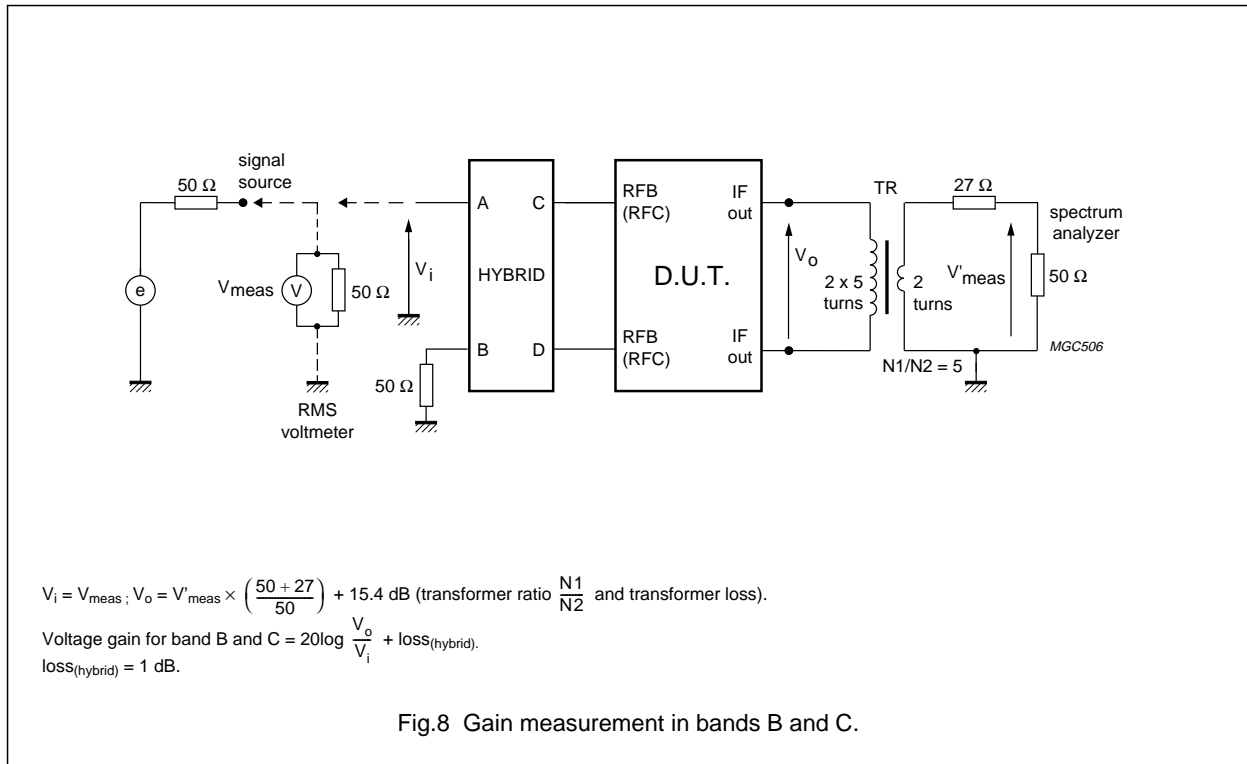
9 V VHF hyperband and UHF mixer/oscillator for TV and VCR 3-band tuners

TDA5636B; TDA5637B



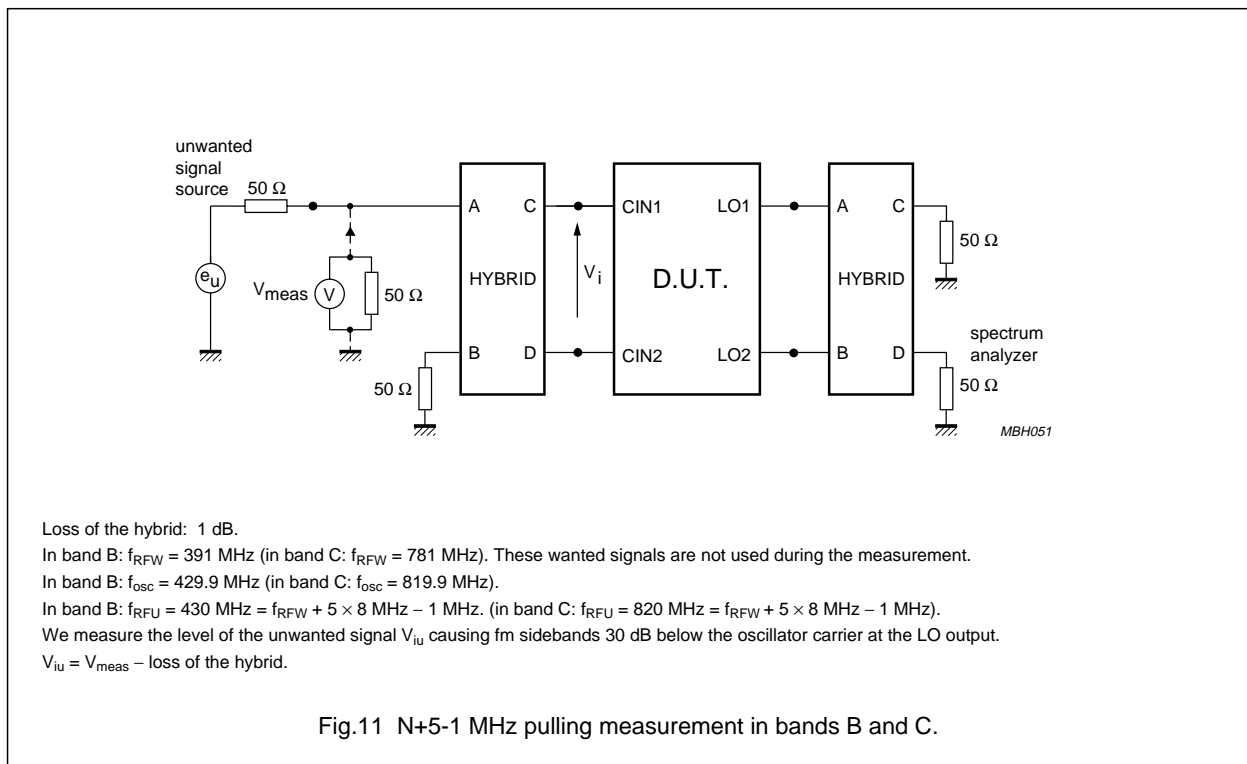
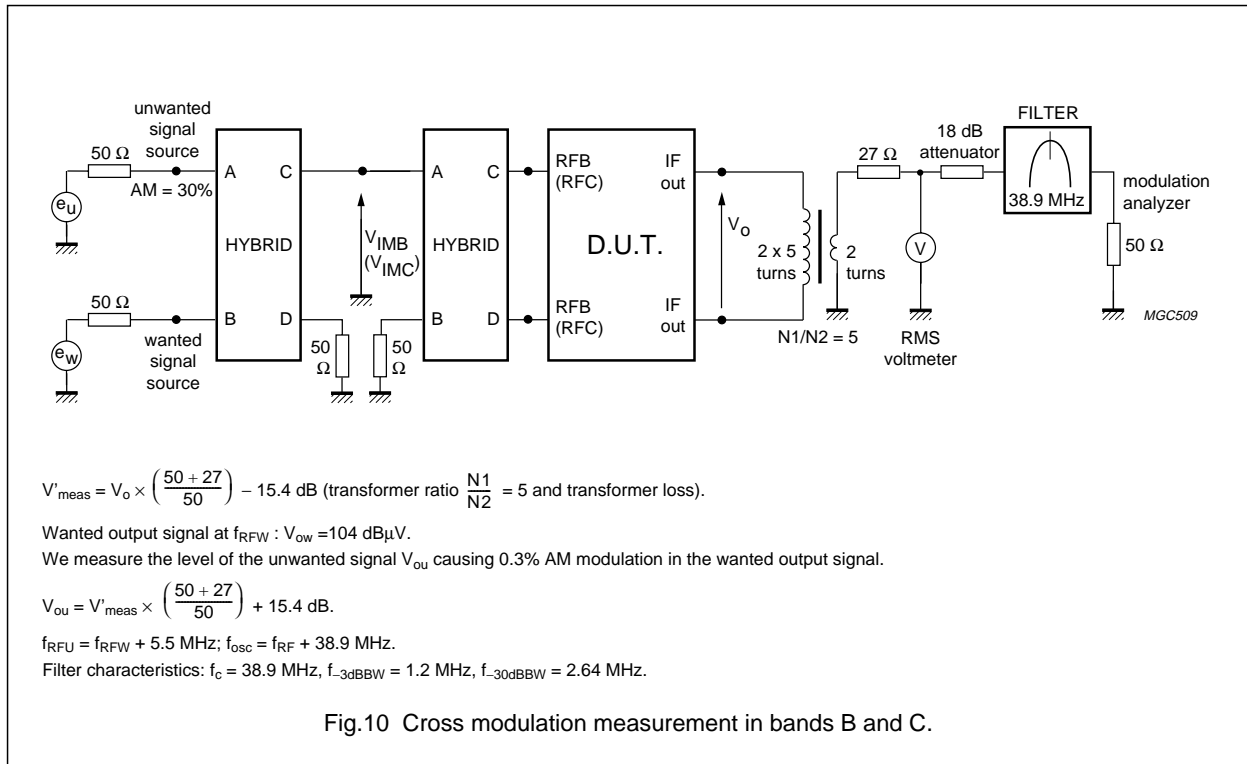
9 V VHF hyperband and UHF mixer/oscillator for TV and VCR 3-band tuners

TDA5636B; TDA5637B



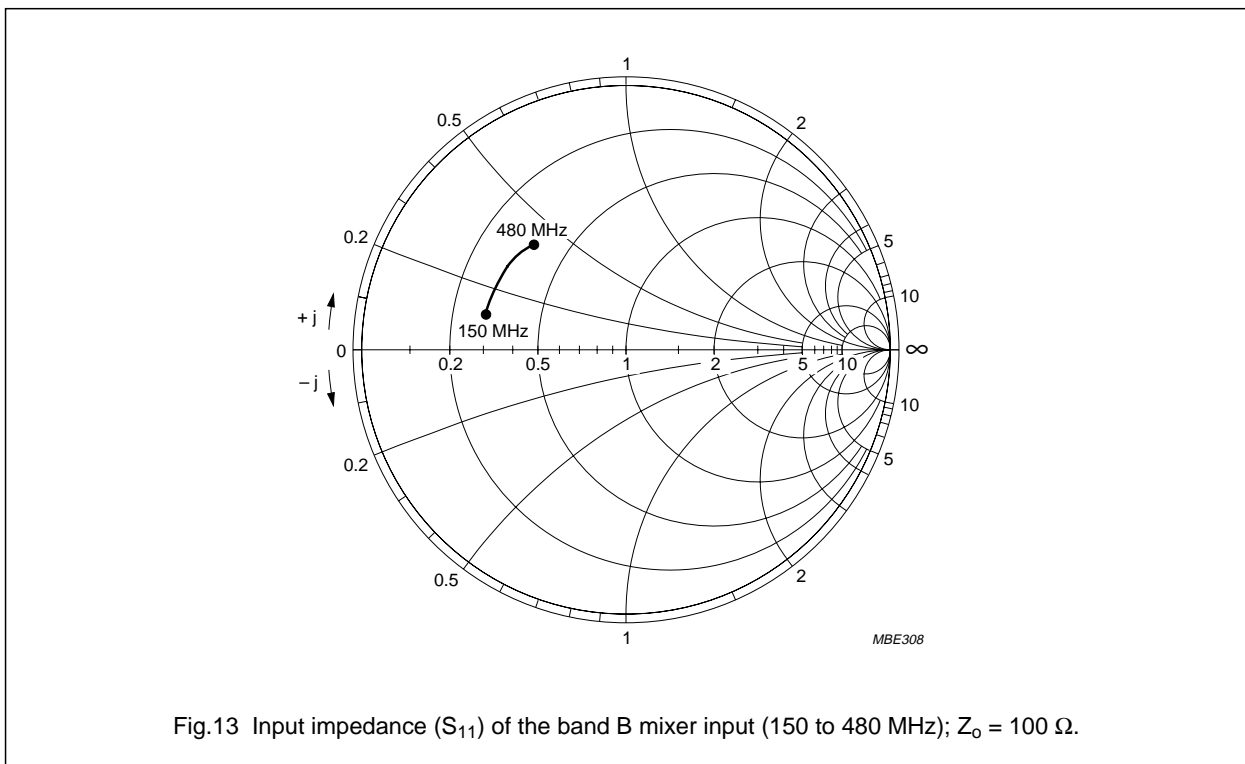
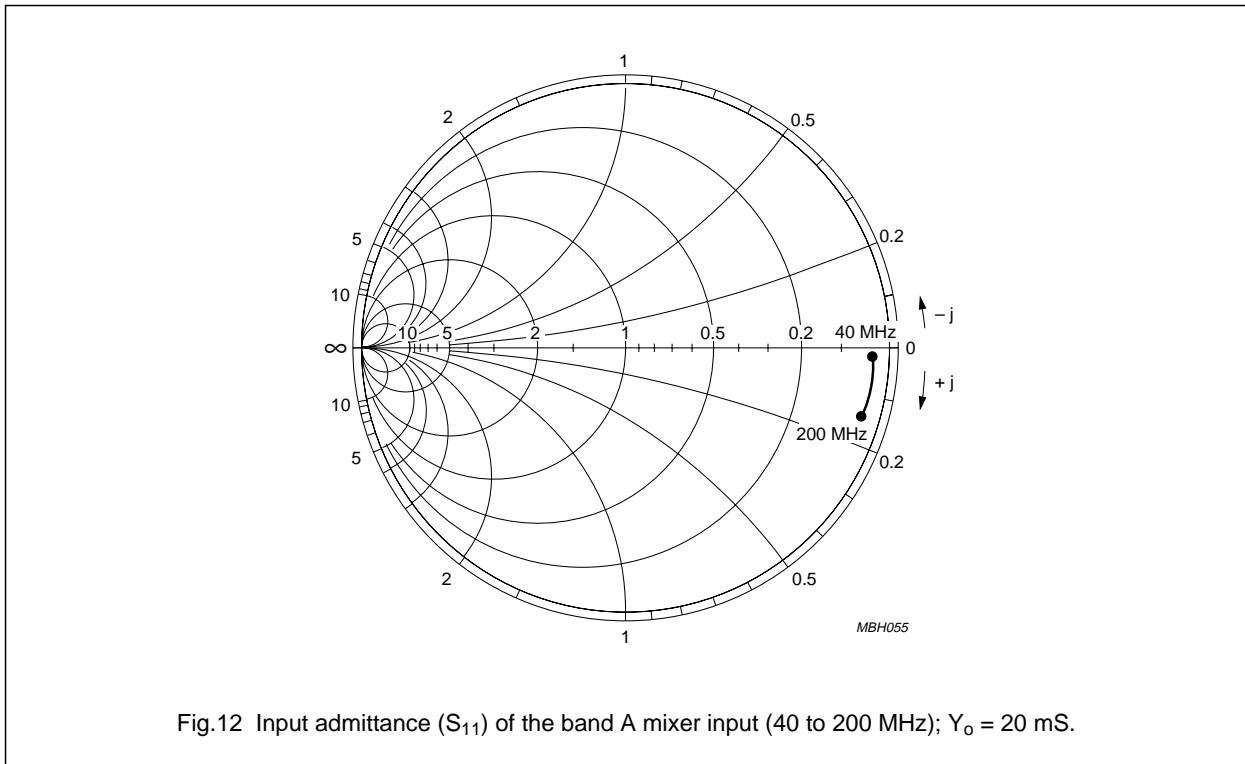
9 V VHF hyperband and UHF mixer/oscillator for TV and VCR 3-band tuners

TDA5636B; TDA5637B



9 V VHF hyperband and UHF mixer/oscillator for TV and VCR 3-band tuners

TDA5636B; TDA5637B



9 V VHF hyperband and UHF mixer/oscillator for TV and VCR 3-band tuners

TDA5636B; TDA5637B

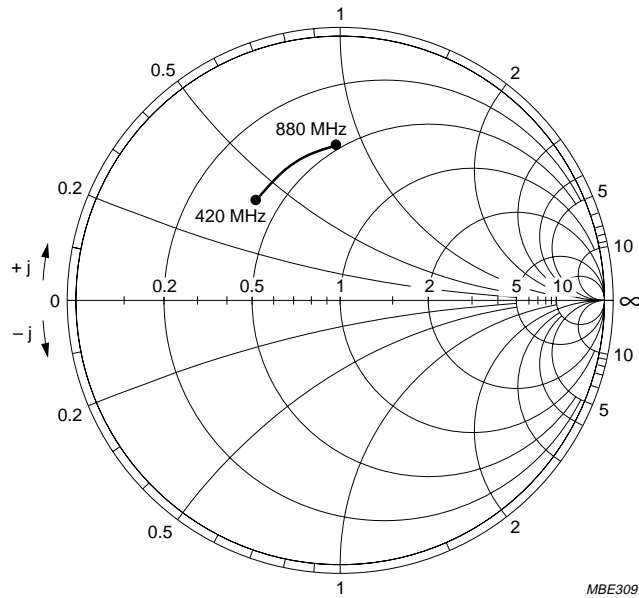


Fig.14 Input impedance (S_{11}) of the band C mixer input (420 to 880 MHz); $Z_o = 100 \Omega$.

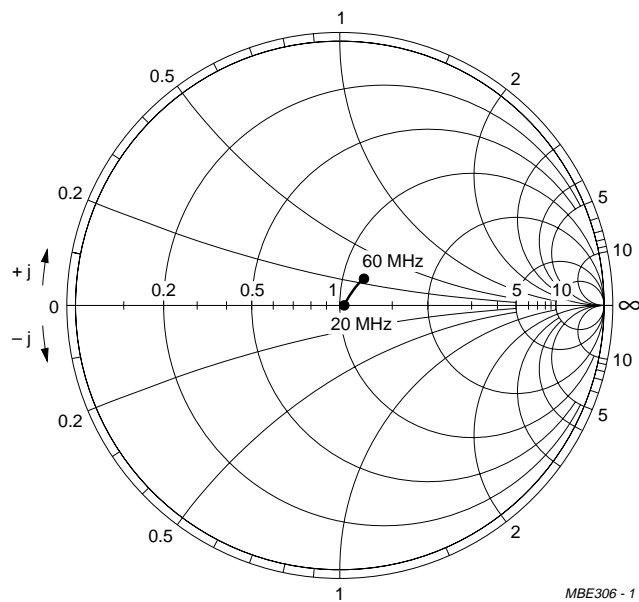
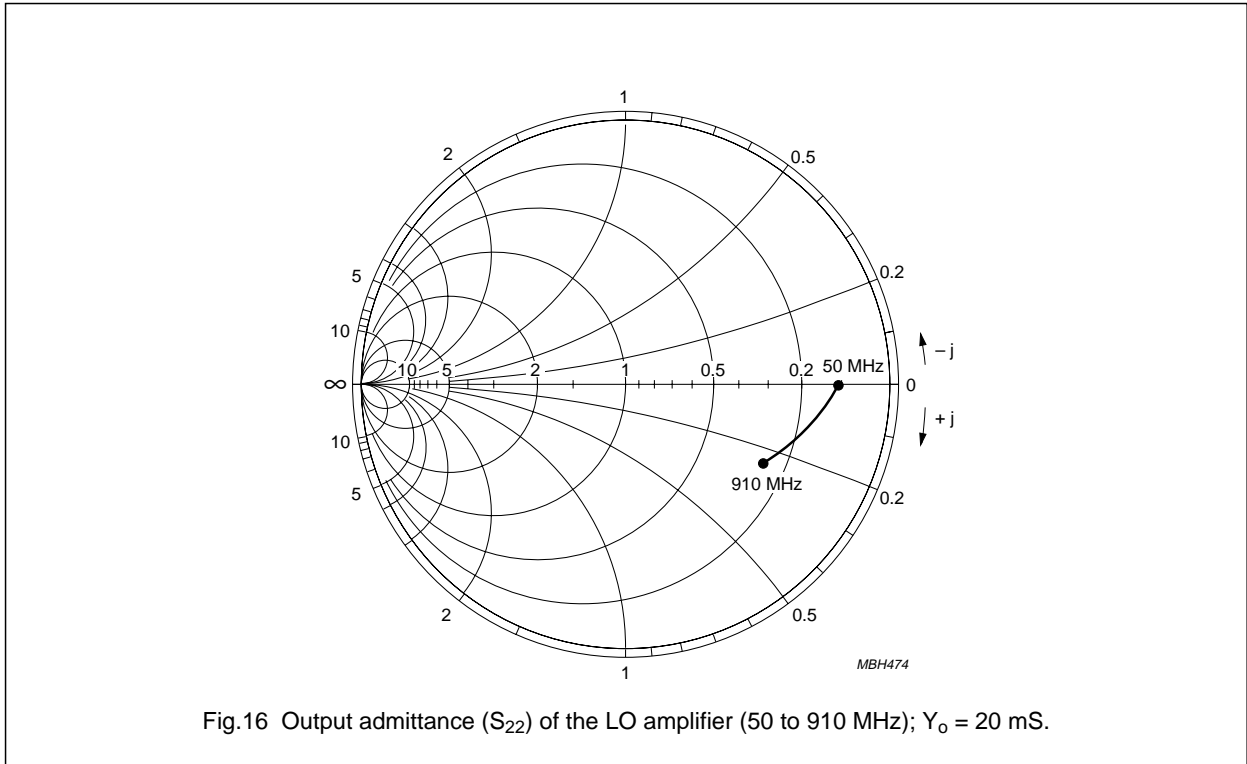


Fig.15 Output impedance (S_{22}) of the IF amplifier (20 to 60 MHz); $Z_o = 100 \Omega$.

9 V VHF hyperband and UHF mixer/oscillator
for TV and VCR 3-band tuners

TDA5636B; TDA5637B



9 V VHF hyperband and UHF mixer/oscillator
for TV and VCR 3-band tuners

TDA5636B; TDA5637B

APPLICATION INFORMATION

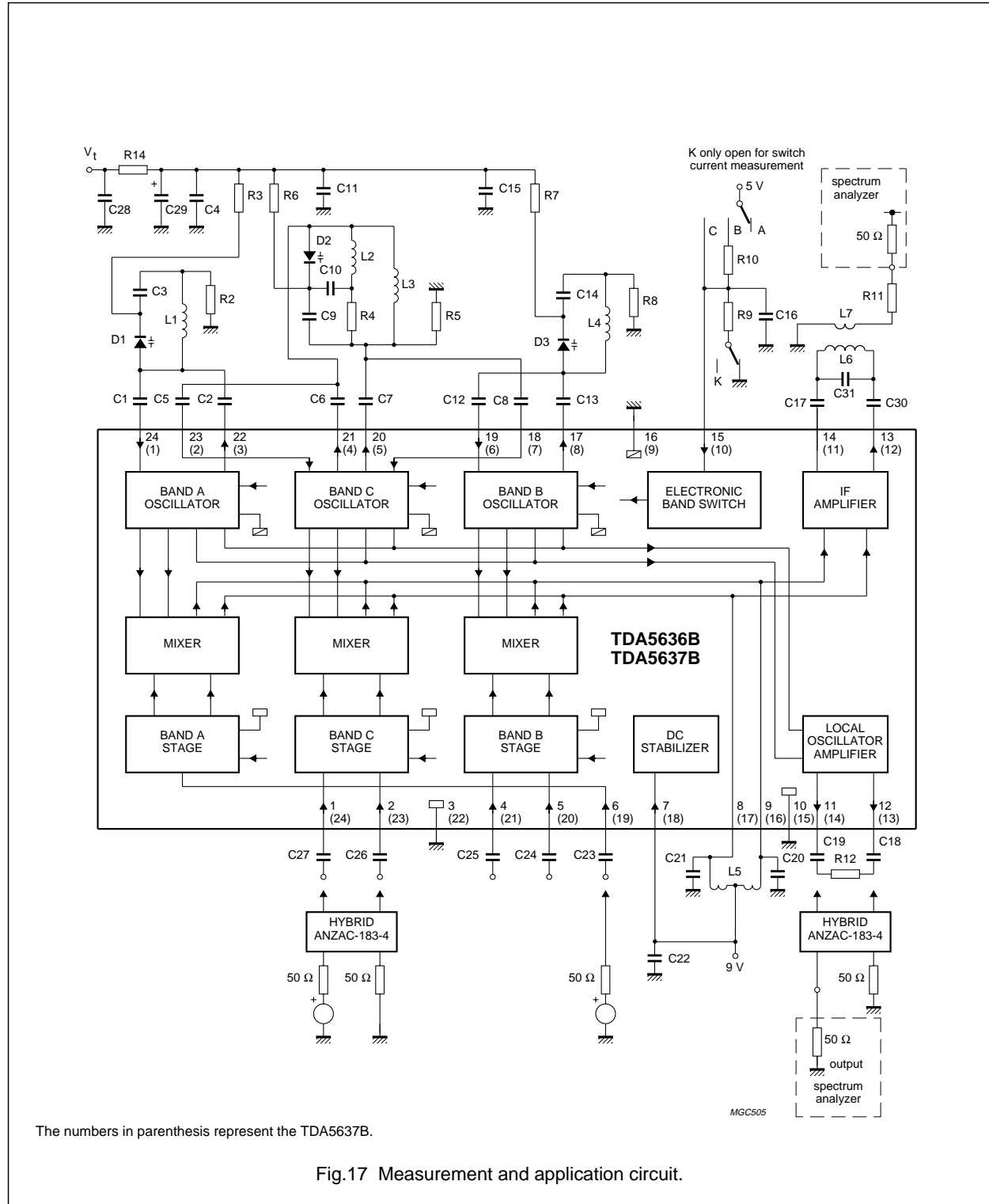


Fig.17 Measurement and application circuit.

9 V VHF hyperband and UHF mixer/oscillator for TV and VCR 3-band tuners

TDA5636B; TDA5637B

Application diagram component values (see Fig.17)

Table 1 Capacitors
(all SMD and NP0 except C5 to C9 and C29)

NUMBER	VALUE
C1	2 pF
C2	2 pF
C3	82 pF
C4	2.2 nF
C5	1 pF (N750)
C6	1 pF (N750)
C7	1 pF (N750)
C8	1 pF (N750)
C9	6 pF (N470)
C10	100 pF
C11	2.2 nF
C12	2 pF
C13	4 pF
C14	150 pF
C15	2.2 nF
C16	1.2 nF
C17	1 nF
C18	1 nF
C19	1 nF
C20	18 pF
C21	18 pF
C22	1 nF
C23	1 nF
C24	1 nF
C25	1 nF
C26	1 nF
C27	1 nF
C28	2.2 nF
C29	1 μ F (electrolytic)
C30	1 nF
C31	18 pF

Table 2 Resistors (all SMD)

NUMBER	VALUE
R2	22 Ω
R3	47 k Ω
R4	2.2 k Ω
R5	22 k Ω
R6	47 k Ω
R7	47 k Ω
R8	12 Ω
R9	15 k Ω
R10	33 k Ω
R11	27 Ω
R12	100 Ω
R14	47 k Ω

Table 3 Diodes, coils and transformers

NUMBER	VALUE
Diodes	
D1	BB132
D2	BB134
D3	BB146
Coils⁽¹⁾	
L1	8 turns (\varnothing 3 mm)
L2	2 turns (\varnothing 2.5 mm)
L3	3 turns (\varnothing 2.5 mm)
L4	2 turns (\varnothing 4 mm)
Transformers⁽²⁾	
L5	2 \times 6 turns
L6	2 \times 5 turns
L7	2 turns

Notes

1. Wire size for L1 to L4 is 0.4 mm.
2. Coil type: TOKO 7kN; material: 113kN, screw core 03-0093, pot core 04-0026.

9 V VHF hyperband and UHF mixer/oscillator
for TV and VCR 3-band tuners

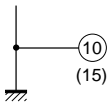
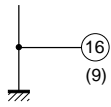
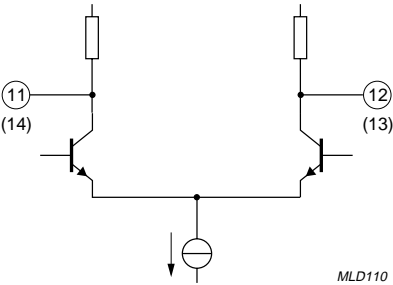
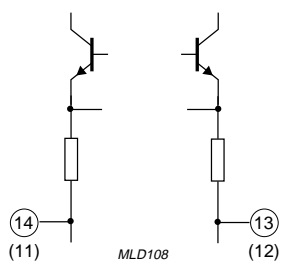
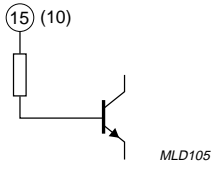
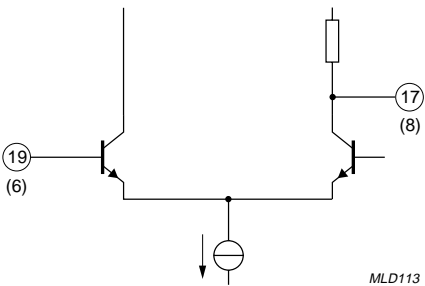
TDA5636B; TDA5637B

INTERNAL PIN CONFIGURATION

SYMBOL	PIN		DESCRIPTION ⁽¹⁾	AVERAGE DC VOLTAGE ⁽²⁾ IN (V)		
	TDA5636B	TDA5637B		BAND A	BAND B	BAND C
CIN1	1	24		0	0	2.2
CIN2	2	23		0	0	2.2
RFGND	3	22		0	0	0
BIN1	4	21		0	2.2	0
BIN2	5	20		0	2.2	0
AIN	6	19		2.2	1.2	1.2
V _P	7	18	supply voltage	9.0	9.0	9.0
MIXOUT1	8	17		9.0	9.0	9.0
MIXOUT2	9	16		9.0	9.0	9.0

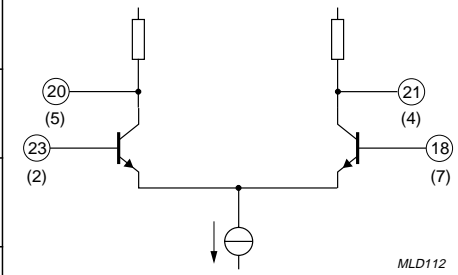
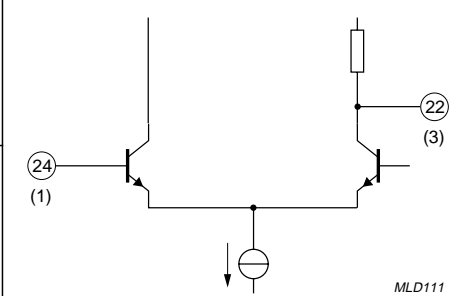
9 V VHF hyperband and UHF mixer/oscillator
for TV and VCR 3-band tuners

TDA5636B; TDA5637B

SYMBOL	PIN		DESCRIPTION ⁽¹⁾	AVERAGE DC VOLTAGE ⁽²⁾ IN (V)		
	TDA5636B	TDA5637B		BAND A	BAND B	BAND C
GND1	10	15		0	0	0
GND2	16	9	 MLD106	0	0	0
LOOUT1	11	14	 MLD110	5.6	5.6	5.6
LOOUT2	12	13		5.6	5.6	5.6
IFOUT1	13	12	 MLD108	4.4	4.4	4.4
IFOUT2	14	11		4.4	4.4	4.4
BS	15	10	 MLD105	V _{SW(A)}	V _{SW(B)}	V _{SW(C)}
BOSCOC	17	8	 MLD113	5.8	3.4	5.8
BOSCIB	19	6		1.2	2.3	1.2

9 V VHF hyperband and UHF mixer/oscillator for TV and VCR 3-band tuners

TDA5636B; TDA5637B

SYMBOL	PIN		DESCRIPTION ⁽¹⁾	AVERAGE DC VOLTAGE ⁽²⁾ IN (V)		
	TDA5636B	TDA5637B		BAND A	BAND B	BAND C
COSCIB1	18	7		1.4	1.4	2.3
COSCOC1	20	5		5.8	5.8	4.2
COSCOC2	21	4		5.8	5.8	4.2
COSCIB2	23	2		1.4	1.4	2.3
AOSCOC	22	3		3.8	5.8	5.8
AOSCIB	24	1		2.1	1.0	1.0

Notes

1. The pin numbers in parenthesis represent the TDA5637B.
2. Average DC voltage measured in circuit of Fig.17.

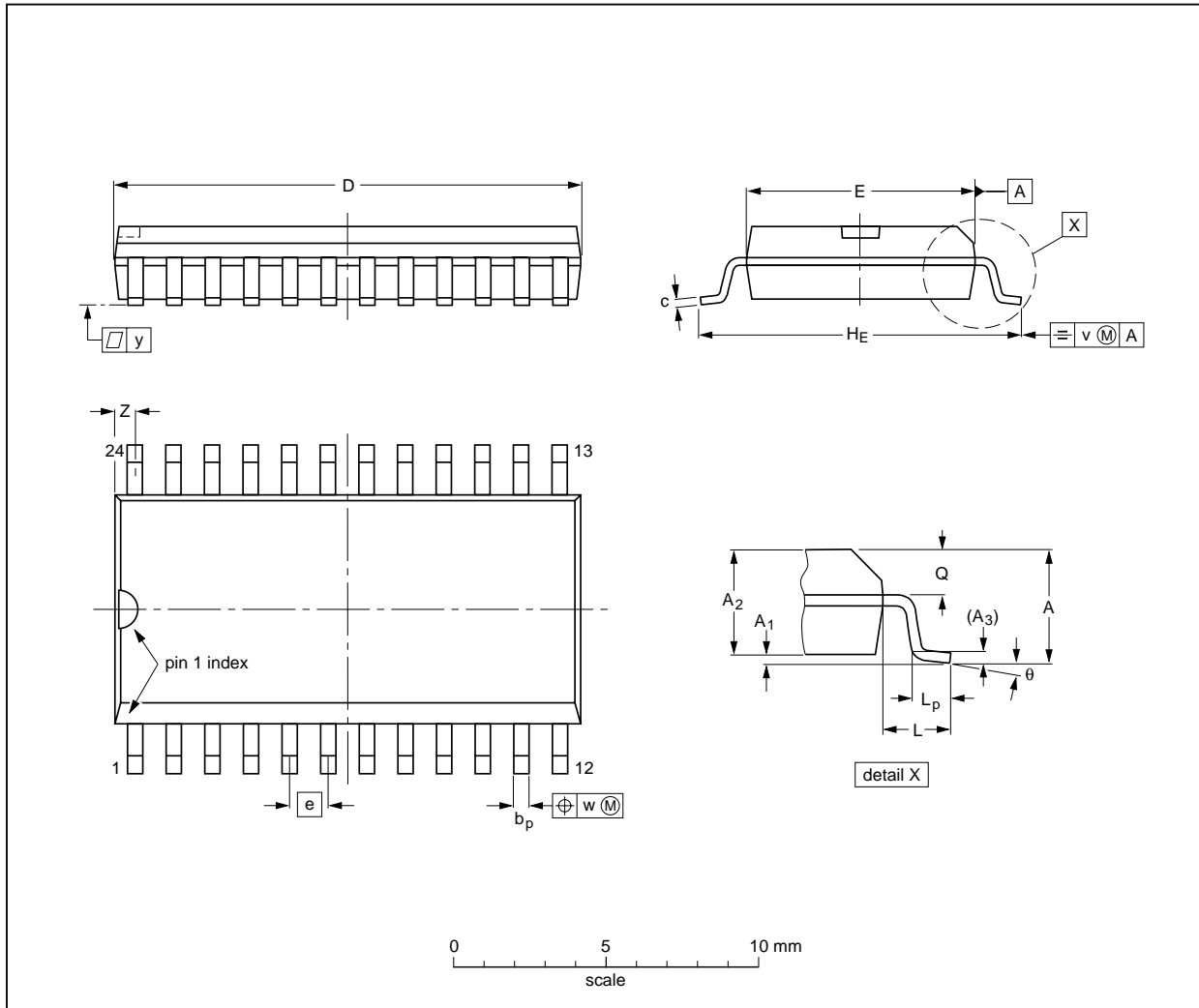
9 V VHF hyperband and UHF mixer/oscillator for TV and VCR 3-band

TDA5636B; TDA5637B

PACKAGE OUTLINES

SO24: plastic small outline package; 24 leads; body width 7.5 mm

SOT137-1



DIMENSIONS (inch dimensions are derived from the original mm dimensions)

UNIT	A max.	A ₁	A ₂	A ₃	b _p	c	D ⁽¹⁾	E ⁽¹⁾	e	H _E	L	L _p	Q	v	w	y	z ⁽¹⁾	θ
mm	2.65	0.30 0.10	2.45 2.25	0.25	0.49 0.36	0.32 0.23	15.6 15.2	7.6 7.4	1.27	10.65 10.00	1.4	1.1 0.4	1.1 1.0	0.25	0.25	0.1	0.9 0.4	8° 0°
inches	0.10	0.012 0.004	0.096 0.089	0.01	0.019 0.014	0.013 0.009	0.61 0.60	0.30 0.29	0.050	0.419 0.394	0.055	0.043 0.016	0.043 0.039	0.01	0.01	0.004	0.035 0.016	

Note

1. Plastic or metal protrusions of 0.15 mm maximum per side are not included.

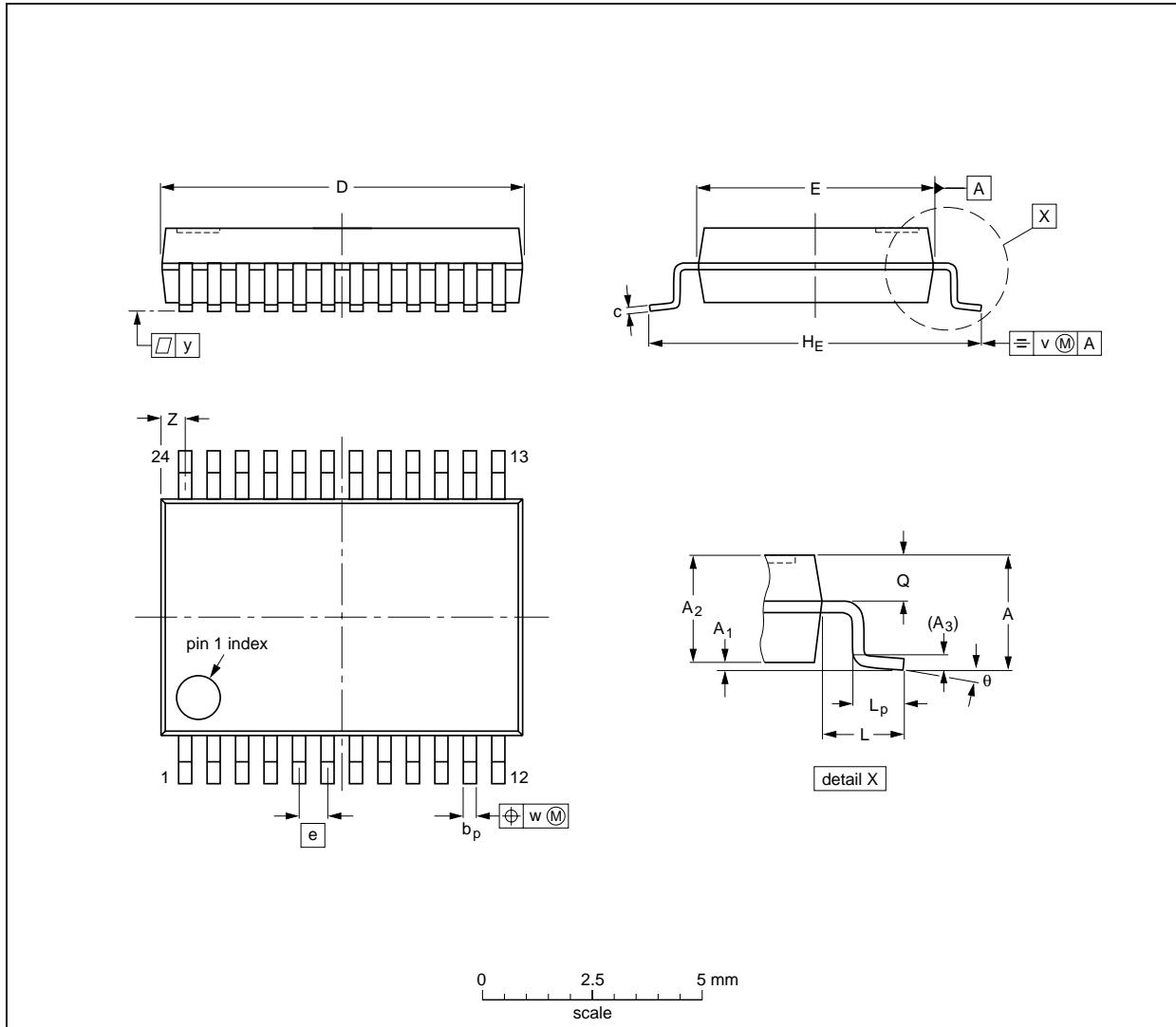
OUTLINE VERSION	REFERENCES				EUROPEAN PROJECTION	ISSUE DATE
	IEC	JEDEC	EIAJ			
SOT137-1	075E05	MS-013AD				95-01-24 97-05-22

9 V VHF hyperband and UHF mixer/oscillator
for TV and VCR 3-band tuners

TDA5636B; TDA5637B

SSOP24: plastic shrink small outline package; 24 leads; body width 5.3 mm

SOT340-1



DIMENSIONS (mm are the original dimensions)

UNIT	A max.	A ₁	A ₂	A ₃	b _p	c	D ⁽¹⁾	E ⁽¹⁾	e	H _E	L	L _p	Q	v	w	y	Z ⁽¹⁾	θ
mm	2.0	0.21 0.05	1.80 1.65	0.25	0.38 0.25	0.20 0.09	8.4 8.0	5.4 5.2	0.65	7.9 7.6	1.25	1.03 0.63	0.9 0.7	0.2	0.13	0.1	0.8 0.4	8° 0°

Note

1. Plastic or metal protrusions of 0.20 mm maximum per side are not included.

OUTLINE VERSION	REFERENCES				EUROPEAN PROJECTION	ISSUE DATE
	IEC	JEDEC	EIAJ			
SOT340-1		MO-150AG				93-09-08 95-02-04

9 V VHF hyperband and UHF mixer/oscillator for TV and VCR 3-band tuners

TDA5636B; TDA5637B

SOLDERING

Introduction

There is no soldering method that is ideal for all IC packages. Wave soldering is often preferred when through-hole and surface mounted components are mixed on one printed-circuit board. However, wave soldering is not always suitable for surface mounted ICs, or for printed-circuits with high population densities. In these situations reflow soldering is often used.

This text gives a very brief insight to a complex technology. A more in-depth account of soldering ICs can be found in our "IC Package Databook" (order code 9398 652 90011).

Reflow soldering

Reflow soldering techniques are suitable for all SO and SSOP packages.

Reflow soldering requires solder paste (a suspension of fine solder particles, flux and binding agent) to be applied to the printed-circuit board by screen printing, stencilling or pressure-syringe dispensing before package placement.

Several techniques exist for reflowing; for example, thermal conduction by heated belt. Dwell times vary between 50 and 300 seconds depending on heating method. Typical reflow temperatures range from 215 to 250 °C.

Preheating is necessary to dry the paste and evaporate the binding agent. Preheating duration: 45 minutes at 45 °C.

Wave soldering

SO

Wave soldering techniques can be used for all SO packages if the following conditions are observed:

- A double-wave (a turbulent wave with high upward pressure followed by a smooth laminar wave) soldering technique should be used.
- The longitudinal axis of the package footprint must be parallel to the solder flow.
- The package footprint must incorporate solder thieves at the downstream end.

SSOP

Wave soldering is **not** recommended for SSOP packages. This is because of the likelihood of solder bridging due to closely-spaced leads and the possibility of incomplete solder penetration in multi-lead devices.

If wave soldering cannot be avoided, the following conditions must be observed:

- **A double-wave (a turbulent wave with high upward pressure followed by a smooth laminar wave) soldering technique should be used.**
- **The longitudinal axis of the package footprint must be parallel to the solder flow and must incorporate solder thieves at the downstream end.**

Even with these conditions, only consider wave soldering SSOP packages that have a body width of 4.4 mm, that is SSOP16 (SOT369-1) or SSOP20 (SOT266-1).

METHOD (SO AND SSOP)

During placement and before soldering, the package must be fixed with a droplet of adhesive. The adhesive can be applied by screen printing, pin transfer or syringe dispensing. The package can be soldered after the adhesive is cured.

Maximum permissible solder temperature is 260 °C, and maximum duration of package immersion in solder is 10 seconds, if cooled to less than 150 °C within 6 seconds. Typical dwell time is 4 seconds at 250 °C.

A mildly-activated flux will eliminate the need for removal of corrosive residues in most applications.

Repairing soldered joints

Fix the component by first soldering two diagonally-opposite end leads. Use only a low voltage soldering iron (less than 24 V) applied to the flat part of the lead. Contact time must be limited to 10 seconds at up to 300 °C. When using a dedicated tool, all other leads can be soldered in one operation within 2 to 5 seconds between 270 and 320 °C.

**9 V VHF hyperband and UHF
mixer/oscillator for TV and VCR 3-band**

TDA5636B; TDA5637B

DEFINITIONS

Data sheet status	
Objective specification	This data sheet contains target or goal specifications for product development.
Preliminary specification	This data sheet contains preliminary data; supplementary data may be published later.
Product specification	This data sheet contains final product specifications.
Limiting values	
Limiting values given are in accordance with the Absolute Maximum Rating System (IEC 134). Stress above one or more of the limiting values may cause permanent damage to the device. These are stress ratings only and operation of the device at these or at any other conditions above those given in the Characteristics sections of the specification is not implied. Exposure to limiting values for extended periods may affect device reliability.	
Application information	
Where application information is given, it is advisory and does not form part of the specification.	

LIFE SUPPORT APPLICATIONS

These products are not designed for use in life support appliances, devices, or systems where malfunction of these products can reasonably be expected to result in personal injury. Philips customers using or selling these products for use in such applications do so at their own risk and agree to fully indemnify Philips for any damages resulting from such improper use or sale.

9 V VHF hyperband and UHF
mixer/oscillator for TV and VCR 3-band

TDA5636B; TDA5637B

NOTES

Philips Semiconductors – a worldwide company

Argentina: see South America

Australia: 34 Waterloo Road, NORTH RYDE, NSW 2113,
Tel. +61 2 9805 4455, Fax. +61 2 9805 4466

Austria: Computerstr. 6, A-1101 WIEN, P.O. Box 213,
Tel. +43 1 60 101, Fax. +43 1 60 101 1210

Belarus: Hotel Minsk Business Center, Bld. 3, r. 1211, Volodarski Str. 6,
220050 MINSK, Tel. +375 172 200 733, Fax. +375 172 200 773

Belgium: see The Netherlands

Brazil: see South America

Bulgaria: Philips Bulgaria Ltd., Energoproject, 15th floor,
51 James Bourchier Blvd., 1407 SOFIA,
Tel. +359 2 689 211, Fax. +359 2 689 102

Canada: PHILIPS SEMICONDUCTORS/COMPONENTS,
Tel. +1 800 234 7381

China/Hong Kong: 501 Hong Kong Industrial Technology Centre,
72 Tat Chee Avenue, Kowloon Tong, HONG KONG,
Tel. +852 2319 7888, Fax. +852 2319 7700

Colombia: see South America

Czech Republic: see Austria

Denmark: Prags Boulevard 80, PB 1919, DK-2300 COPENHAGEN S,
Tel. +45 32 88 2636, Fax. +45 31 57 1949

Finland: Sinikalliontie 3, FIN-02630 ESPOO,
Tel. +358 9 615800, Fax. +358 9 61580/xxx

France: 4 Rue du Port-aux-Vins, BP317, 92156 SURESNES Cedex,
Tel. +33 1 40 99 6161, Fax. +33 1 40 99 6427

Germany: Hammerbrookstraße 69, D-20097 HAMBURG,
Tel. +49 40 23 53 60, Fax. +49 40 23 536 300

Greece: No. 15, 25th March Street, GR 17778 TAVROS/ATHENS,
Tel. +30 1 4894 339/239, Fax. +30 1 4814 240

Hungary: see Austria

India: Philips INDIA Ltd, Shivsagar Estate, A Block, Dr. Annie Besant Rd.
Worli, MUMBAI 400 018, Tel. +91 22 4938 541, Fax. +91 22 4938 722

Indonesia: see Singapore

Ireland: Newstead, Clonskeagh, DUBLIN 14,
Tel. +353 1 7640 000, Fax. +353 1 7640 200

Israel: RAPAC Electronics, 7 Kehilat Saloniki St, TEL AVIV 61180,
Tel. +972 3 645 0444, Fax. +972 3 649 1007

Italy: PHILIPS SEMICONDUCTORS, Piazza IV Novembre 3,
20124 MILANO, Tel. +39 2 6752 2531, Fax. +39 2 6752 2557

Japan: Philips Bldg 13-37, Kohnan 2-chome, Minato-ku, TOKYO 108,
Tel. +81 3 3740 5130, Fax. +81 3 3740 5077

Korea: Philips House, 260-199 Itaewon-dong, Yongsan-ku, SEOUL,
Tel. +82 2 709 1412, Fax. +82 2 709 1415

Malaysia: No. 76 Jalan Universiti, 46200 PETALING JAYA, SELANGOR,
Tel. +60 3 750 5214, Fax. +60 3 757 4880

Mexico: 5900 Gateway East, Suite 200, EL PASO, TEXAS 79905,
Tel. +9-5 800 234 7381

Middle East: see Italy

Netherlands: Postbus 90050, 5600 PB EINDHOVEN, Bldg. VB,
Tel. +31 40 27 82785, Fax. +31 40 27 88399

New Zealand: 2 Wagener Place, C.P.O. Box 1041, AUCKLAND,
Tel. +64 9 849 4160, Fax. +64 9 849 7811

Norway: Box 1, Manglerud 0612, OSLO,
Tel. +47 22 74 8000, Fax. +47 22 74 8341

Philippines: Philips Semiconductors Philippines Inc.,
106 Valero St. Salcedo Village, P.O. Box 2108 MCC, MAKATI,
Metro MANILA, Tel. +63 2 816 6380, Fax. +63 2 817 3474

Poland: Ul. Lukiska 10, PL 04-123 WARSZAWA,
Tel. +48 22 612 2831, Fax. +48 22 612 2327

Portugal: see Spain

Romania: see Italy

Russia: Philips Russia, Ul. Usatcheva 35A, 119048 MOSCOW,
Tel. +7 095 247 9145, Fax. +7 095 247 9144

Singapore: Lorong 1, Toa Payoh, SINGAPORE 1231,
Tel. +65 350 2538, Fax. +65 251 6500

Slovakia: see Austria

Slovenia: see Italy

South Africa: S.A. PHILIPS Pty Ltd., 195-215 Main Road Martindale,
2092 JOHANNESBURG, P.O. Box 7430 Johannesburg 2000,
Tel. +27 11 470 5911, Fax. +27 11 470 5494

South America: Rua do Rocio 220, 5th floor, Suite 51,
04552-903 São Paulo, SÃO PAULO - SP, Brazil,
Tel. +55 11 821 2333, Fax. +55 11 829 1849

Spain: Balmes 22, 08007 BARCELONA,
Tel. +34 3 301 6312, Fax. +34 3 301 4107

Sweden: Kottbygatan 7, Akalla, S-16485 STOCKHOLM,
Tel. +46 8 632 2000, Fax. +46 8 632 2745

Switzerland: Allmendstrasse 140, CH-8027 ZÜRICH,
Tel. +41 1 488 2686, Fax. +41 1 481 7730

Taiwan: PHILIPS TAIWAN Ltd., 23-30F, 66,
Chung Hsiao West Road, Sec. 1, P.O. Box 22978,
TAIPEI 100, Tel. +886 2 382 4443, Fax. +886 2 382 4444

Thailand: PHILIPS ELECTRONICS (THAILAND) Ltd.,
209/2 Sanpavuth-Bangna Road Prakanong, BANGKOK 10260,
Tel. +66 2 745 4090, Fax. +66 2 398 0793

Turkey: Talatpasa Cad. No. 5, 80640 GÜLTEPE/ISTANBUL,
Tel. +90 212 279 2770, Fax. +90 212 282 6707

Ukraine: PHILIPS UKRAINE, 4 Patrice Lumumba str., Building B, Floor 7,
252042 KIEV, Tel. +380 44 264 2776, Fax. +380 44 268 0461

United Kingdom: Philips Semiconductors Ltd., 276 Bath Road, Hayes,
MIDDLESEX UB3 5BX, Tel. +44 181 730 5000, Fax. +44 181 754 8421

United States: 811 East Arques Avenue, SUNNYVALE, CA 94088-3409,
Tel. +1 800 234 7381

Uruguay: see South America

Vietnam: see Singapore

Yugoslavia: PHILIPS, Trg N. Pasica 5/v, 11000 BEOGRAD,
Tel. +381 11 625 344, Fax. +381 11 635 777

For all other countries apply to: Philips Semiconductors, Marketing & Sales Communications,
Building BE-p, P.O. Box 218, 5600 MD EINDHOVEN, The Netherlands, Fax. +31 40 27 24825

Internet: <http://www.semiconductors.philips.com>

© Philips Electronics N.V. 1996

SCA52

All rights are reserved. Reproduction in whole or in part is prohibited without the prior written consent of the copyright owner.

The information presented in this document does not form part of any quotation or contract, is believed to be accurate and reliable and may be changed without notice. No liability will be accepted by the publisher for any consequence of its use. Publication thereof does not convey nor imply any license under patent- or other industrial or intellectual property rights.

Printed in The Netherlands

537021/1200/02/pp28

Date of release: 1996 Dec 02

Document order number: 9397 750 01545

Let's make things better.

**Philips
Semiconductors**



PHILIPS