



## Watertight 4-Wire Low-Flow Duct Smoke Detector



The System Sensor DH100ACDCLWP Watertight

Innovair™ is a NEMA 4 duct smoke detector rated for installation and use in non-hazardous indoor and outdoor applications.

### Features

- NEMA Type 4 UL listed for non-hazardous indoor and outdoor applications
- Air velocity rating from 100 to 4000 feet-per-minute (0.5 to 20.32 m/sec.)
- Patented interconnectability for multi-fan shutdown (up to 10 air handlers)
- Patented telescopic sampling tube
- Patented cover tamper trouble signal
- 24 VAC/DC or 120/240 VAC operation
- High-Low voltage barrier
- Equipped with two DPDT Form C relay contacts
- Built-in reset button
- Outside mounting tabs
- Easy and quick mounting to round or rectangular ducts from 1'–12' (0.3–3.7 meters) wide
- Easy to clean
- UL recognized field-replaceable power and sensor boards
- Remote test station option
- Remote sounder option
- UL 268A listed
- 3 year warranty

### Agency Listings



The DH100ACDCLWP is UL listed as a watertight enclosure providing protection against falling dirt, rain, windblown dust, splashing and hose directed water. Additionally, this detector features advanced Low-Flow technology, capable of sensing smoke in air velocities from 100 to 4,000 feet-per-minute (0.5 to 20.3 meters-per-second).

The DH100ACDCLWP can be directly mounted to rooftop HVAC equipment or used in other environmentally harsh applications that fall within its specified temperature limits. Since the unit is NEMA 4 rated, no additional enclosure is needed. The Watertight Innovair provides the same form, fit and wiring terminations as the standard Innovair but meets the NEMA 4 requirements, providing unsurpassed environmental protection.

In addition to being the only watertight duct smoke detector on the market, the revolutionary Innovair solves many difficult low airflow duct applications where reliable smoke detection is critical. Innovair with Low-Flow technology can detect smoke in air speed velocities as low as 100 feet-per-minute or as high as 4,000 feet-per-minute.

The Innovair family is designed for simplified installation and easy maintenance. The modular construction allows for easy cleaning and simple field replacement of the UL-recognized power and sensor boards. System Sensor has again set the standard for HVAC smoke detection technology.

**WARNING:** Duct smoke detectors have specific limitations.

#### DUCT SMOKE DETECTORS ARE:

**NOT** a substitute for an open area smoke detector.

**NOT** a substitute for early warning detection.

**NOT** a replacement for a building's regular fire detection system.

Refer to NFPA 72 and 90A for additional information about the proper application of duct smoke detectors.

NOTE: To maintain the watertight properties of this duct smoke detector, watertight conduit and fittings must be used. Mount the product with the conduit holes facing downwards, if possible.

# Innovair Duct Smoke Detector Specifications

## Architectural/Engineering Specifications

The air duct smoke detector shall be a System Sensor Model DH100ACDCLWP series watertight duct smoke detector. The detector shall meet the NEMA 4 standard for enclosures for electrical equipment. It shall be UL listed for non-hazardous locations for installation and use in both indoor and outdoor applications. The detector shall be constructed so as to provide a degree of protection against falling dirt, rain, windblown dust, splashing water, hose-directed water and incidental contact. The detector housing shall be UL listed per UL 268A specifically for use in air handling systems. The detector shall operate at air velocities of 100 feet per minute to 4000 feet per minute (0.5 to 20.3 m/sec.). The unit shall be capable of controlling up to ten (10) air handling systems when interconnected with other detectors. The detector shall be capable of providing a trouble signal in the event that the front cover is removed. It shall be capable of local testing via magnetic switch or remote testing using the SSK451 Multi-Signaling Accessory or the RTS451KEY Remote Test Station. The unit shall be reset by local reset button or remote test station. The duct smoke detector housing shall incorporate an airtight smoke chamber in compliance with UL 268A, Standard for Smoke Detectors for Duct Applications. The housing shall be capable of mounting to either rectangular or round ducts without adapter brackets. An integral filter system shall be included to reduce dust and residue effects on detector and housing, thereby reducing maintenance and servicing. Sampling tubes shall either be telescoping or be easily installed by passing through the duct housing after the housing is mounted to the duct. The unit shall provide a spatial separation of no less than 1/4" (6.4 mm) and/or a physical barrier between the high and low voltage terminals. The enclosure shall meet all applicable NEC and NFPA standards regarding electrical junction boxes. Terminal connections shall be of the strip and clamp method suitable for 12-18 AWG wiring.

## Physical Specifications

<b>Size</b>	14 <sup>3</sup> / <sub>8</sub> " (37 cm) <sup>3</sup> Length; 5 <sup>1</sup> / <sub>2</sub> " (14 cm) <sup>3</sup> Width; 2 <sup>3</sup> / <sub>4</sub> " (7 cm) <sup>3</sup> Depth
<b>Shipping Weight</b>	3 <sup>3</sup> / <sub>4</sub> lbs. (1.7 kg.)
<b>Operating Temperature Range</b>	32° to 131°F (0° to 55°C)
<b>Storage Temperature Range</b>	-22° to 158°F (-30° to 70°C)
<b>Operating Humidity Range</b>	10% to 93% relative humidity non-condensing
<b>Duct Air Velocity Range</b>	100 to 4000 ft./min. (0.5 to 20.32 m/sec.)
<b>NEMA Enclosure Rating</b>	Type 4 – Watertight Indoor/Outdoor

## Electrical Ratings – DH100ACDCLP (Includes Detector)

<b>Power supply voltage:</b>	20-29 VDC	24 VAC 50-60 Hz	120 VAC 50-60 Hz	220/240 VAC 50-60 Hz
<b>Input capacitance:</b>	270 µF max.	270 µF max.	N/A	N/A
<b>Reset voltage:</b>	3.0 VDC min.	2.0 VAC min.	10 VAC min.	20 VAC min.
<b>Reset time (with RTS451):</b>	.03 to 0.3 sec.	.03 to 0.3 sec.	.03 to 0.3 sec.	.03 to 0.3 sec.
<b>Reset time (by power down):</b>	0.6 sec. max.	0.6 sec. max.	0.6 sec. max.	0.6 sec. max.
<b>Power up time:</b>	34 sec. max.	34 sec. max.	34 sec. max.	34 sec. max.
<b>Alarm response time:</b>	2 to 17 sec.	2 to 17 sec.	2 to 17 sec.	2 to 17 sec.
<b>Sensitivity Test:</b>	See detector label	See detector label	See detector label	See detector label

## Current Requirements (Using No Accessories)

<b>Max. standby current</b>	15 mA	35 mA RMS	25 mA RMS	15 mA RMS*
<b>Max. alarm current</b>	70 mA	125 mA RMS	35 mA RMS*	25 mA RMS*

## Contact Ratings

<b>Alarm initiation contacts (SPST)</b>	2.0A @ 30 VAC/DC (0.6 power factor)
<b>Alarm auxiliary contacts (DPDT)</b>	10A @ 30 VDC; 10A @ 250 VAC

Note: Alarm auxiliary contacts must switch 100mA minimum at 5VDC. Alarm auxiliary contacts shall not be connected to initiating circuits of control panels. Use the alarm initiation contact for this purpose.

<b>Trouble contacts (SPDT)</b>	2.0A @ 30 VDC (resistive); 2.0A @ 125 VAC (resistive)
--------------------------------	---

## Accessory Current Loads at 24 VDC

Device	Standby	Trouble	Alarm
APA451	12.5 mA Max.	n/a	30 mA Max.
PA400	0 mA	n/a	15 mA Max.
RA400Z	0 mA	n/a	10 mA Max.
RTS451/RTS451KEY	12 mA*	n/a	7.5 mA Max.
SSK451	5 mA Max.	9 mA Max.	30 mA Max.

\*Note: When a unit is powered at the 120 VAC or 220/240 VAC input, any combination of accessories may be used such that the given accessory loads are: 60 mA or less in the standby state; 110 mA or less in the alarm state.

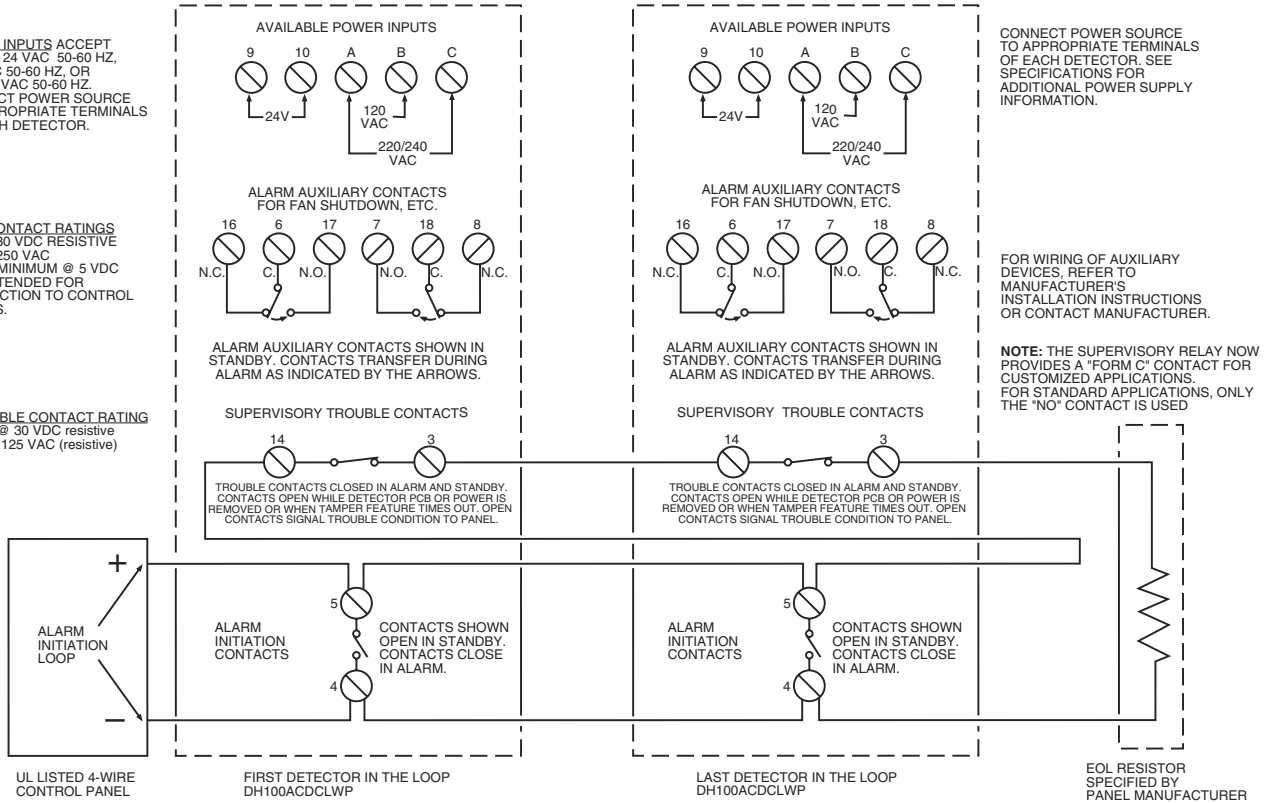
# Wiring Guide

## System wiring diagram for 4-wire duct smoke detectors

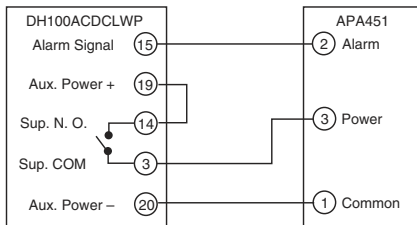
**POWER INPUTS ACCEPT**  
 24 VDC, 24 VAC, 50-60 HZ,  
 120 VAC 50-60 HZ, OR  
 220/240 VAC 50-60 HZ.  
 CONNECT POWER SOURCE  
 TO APPROPRIATE TERMINALS  
 OF EACH DETECTOR.

**AUX. CONTACT RATINGS**  
 10A @ 30 VDC RESISTIVE  
 10A @ 250 VAC  
 100mA MINIMUM @ 5 VDC  
 NOT INTENDED FOR  
 CONNECTION TO CONTROL  
 PANELS.

**TROUBLE CONTACT RATING**  
 2.0 A @ 30 VDC resistive  
 2.0 @ 125 VAC (resistive)



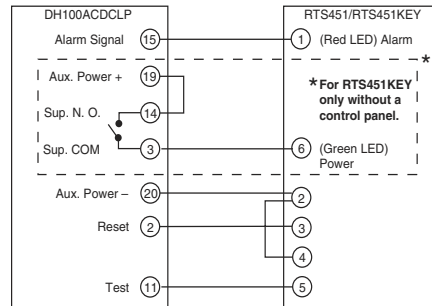
Wiring diagram for DH100ACDCLWP to APA451:



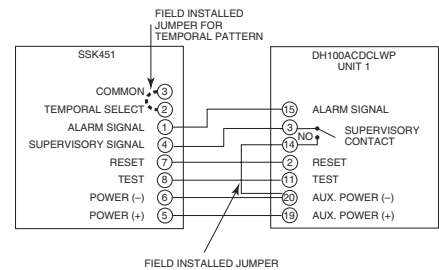
NOTE: Wiring diagram shown is for DH100ACDCLWP 4-wire duct smoke detector system equipped without a control panel.

NOTE: A trouble condition is indicated when the green LED is not illuminated.

Wiring diagram for the RTS451/RTS451KEY:



Wiring diagram for DH100ACDCLWP to SSK451:



## Important Interconnect Notes

- When using the interconnect feature, all interconnected units must be powered with the same, independent supply.
- Polarity must be maintained throughout the interconnect wiring. Connect terminal 12 on unit 1 to terminal 12 on unit 2 and so on. Similarly, connect terminal 1 on unit 1 to terminal 1 on unit 2 and so on.
- Up to 10 units may be interconnected.

## Accessories

System Sensor provides system flexibility with a variety of accessories, including three remote test devices and several different means of visible and audible system annunciation. As with our duct detectors, all duct smoke detector accessories are UL listed.



**APA451**  
Piezo Annunciator  
(UL S4011)



**RTS451KEY**  
Remote Test Station  
with Key (UL S2522)



**PA400W**  
Mini-Alert Sounder  
(UL S3593)  
shown with PS24LOW add-on  
strobe (PS12/24SLENSW smoke  
lens option available)



**RTS451**  
Remote Test Station  
(UL S2522)



**RA400Z**  
Remote Annunciator  
(UL S2522)



**SSK451**  
Multi-Signaling  
Accessory  
(UL 268A)



**SSK451**  
Multi-Signaling Accessory  
(UL 268A)  
shown with PS24LOW add-on  
strobe (PS12/24SLENSW smoke  
lens option available)

## Ordering Information

Part No.	Description
DH100ACDCLWP	Watertight 4-wire photoelectric duct smoke detector with low-flow technology
A5190	Replacement 4-wire photoelectric detector board
A5064	Replacement 4-wire power board
<b>Accessories</b>	
ST-1.5	Metal sampling tube duct widths 1'-2' (0.3-0.6 m)
ST-3	Metal sampling tube duct widths 2'-4' (0.6-1.2 m)
ST-5	Metal sampling tube duct widths 4'-8' (1.2-2.4 m)
ST-10	Metal sampling tube duct widths 8'-12' (2.4-3.7 m)
T80-71-00	Replacement telescoping sampling tube
P48-55-00	Replacement end cap for T80-71-00
SSK451	Multi-Signaling accessory
RTS451KEY	Remote test station with key lock
RTS451	Remote test station
APA451	Remote annunciator with piezo alarm
MOD400R	Sensitivity test module
RA400Z	Remote annunciator alarm LED
F36-09-11	Replacement air filters (two per package)
M02-04-00	Test magnet
P48-21-00	End cap for metal sampling tubes
S08-39-01	Photo replacement screen
PA400W	Mini-Alert sounder
PS24LOW	Mini-Alert add-on strobe
PS12/24SLENSW	Wall-mount "SMOKE" lens



3825 Ohio Avenue • St. Charles, IL 60174  
Phone: 800-SENSOR2 • Fax: 630-377-6495

©2007 System Sensor.  
Product specifications subject to change without notice. Visit [systemsensor.com](http://systemsensor.com) for  
current product information, including the latest version of this data sheet.  
A05-0286-007 • 1/07 • #1753