



CONEXANT



Product of the Year Award Winner
Best Silicon Innovation

Dual Decode HDTV MPEG-2/H.264/VC-1 Video Decoder CX2427x

Conexant's portfolio includes a comprehensive suite of semiconductor solutions for broadband communications and the digital home.

Conexant's CX2427x is a highly integrated, triple-display dual decode MPEG-2/H.264/VC-1, DIRECTV/DVB compliant, back-end decoder IC solution for high-definition digital TV systems with support for personal video recorder (PVR) applications, which can be deployed in digital satellite, cable, Telco or terrestrial TV networks.

The CX2427x family features a flexible, multi-program HDTV multi format video decoder capable of decoding two HDTV programs simultaneously in any dual stream combination of MPEG-2, H.264 and VC-1 formats. Three TV outputs are supported, a primary HDTV display with simultaneous down-converted SD output, plus an independent down-converted NTSC/PAL SDTV output. The dual multi-format audio decoder supports multiple audio format decoding, including MPEG-1, MPEG-2, Dolby® Digital, Dolby Digital+, MPEG-4 aac and aacPlus™, WMA and WMA Pro. An integrated ARM1176 CPU with 128KByte L2 cache supplying over 800 Dhrystone 1.2 MIPS at 666MHz, and a high performance, unified memory, dual 667MHz 32-bit DDR-2 SDRAM memory controllers give ample processing power for advanced applications and future expansion capability.

PVR functionality is supported by two multi-stream transport processors, each of which is based on a dedicated RISC engine, with each supporting six simultaneous transport streams (3 from baseband inputs and 3 from DMA interfaces). Each transport processor unit also supports DVB, DES, AES or Multi-IT scrambling and contains hardware support for the NDS conditional access system. The CX2427x integrates dual serial ATA2 controllers with support for internal and external HDD attachments with 3DES/AES ciphering engines for encryption of data to the HDD.

The CX2427x also features an impressive array of I/O features, including HDMI with HDCP, an integrated RF modulator, dual BTSC stereo encoders, dual USB 2.0 host controller with integrated Phys, an additional USB1.1 solution, dual integrated 10/100 Ethernet MAC with MII, PCI bus, HomePlug™ connectivity via a high-speed UART and an integrated V.92 hardware modem. The CX2427x fully supports cable applications when used in conjunction with the CX24450-CX24453 DOCSIS 2.0+ STB Front End IC, supporting an OpenCable™ Cable CARDTM M-Card™ interface.



Distinguishing Features

- DVB/DIRECTV™ compliant back-end HDTV decoder for worldwide markets
- Three TV outputs, primary HDTV display with simultaneous down-converted SD output, with independent down-converted NTSC/PAL SDTV output
- High-performance ARM1176 CPU with 128K L2 cache providing 800+ DMIPS
- Dual PVR support with dual SATA-2/eSATA-2 interface
- Multiple OS support including Nucleus+, VxWorks, Linux® and Windows® CE
- Dual video decoder with MPEG-2, H.264 and VC-1 support
- Dual advanced audio decoders with multiple audio format support
- Advanced security features including secure boot software authentication, IC personalization via OTP memory, SVP support and 3DES/AES ciphering engines
- HDMI transmitter with HDCP content protection
- High performance de-interlacer with 480i or 1080i to 480p/720p conversion
- Integrated V.92 hardware modem
- OpenCable M-Card support

Part Number CX2427x
Description HDTV MPEG-2/H.264/VC-1 Video Decoders

Conexant Product Portfolio

The company's broad portfolio of semiconductor products also includes client-side DSL and cable modem solutions, home network processors, broadcast video encoders and decoders, digital set-top box components and systems solutions, and dial-up modems. In addition to its IEEE 802.11a/b/g-compliant WLAN chipsets, software, and reference designs, Conexant offers a suite of networking components that includes solutions for applications based on HomePlug® and HomePNA™. Additional products include a complete line of asymmetric and symmetric DSL central office solutions, which are used by service providers worldwide to deliver broadband data, voice, and video over copper telephone lines.

© 2002 Conexant Systems, Inc. All Rights Reserved. Conexant and the Conexant logo are registered trademarks of Conexant Systems, Inc. All other trademarks are owned by their respective owners. Although Conexant strives for accuracy in all its publications, this material may contain errors or omissions and is subject to change without notice. **THIS MATERIAL IS PROVIDED AS IS AND WITHOUT ANY EXPRESS OR IMPLIED WARRANTIES, INCLUDING MERCHANTABILITY, FITNESS FOR A PARTICULAR PURPOSE AND NON-INFRINGEMENT.** Conexant shall not be liable for any special, indirect, incidental or consequential damages as a result of its sale.

www.conexant.com
General Information:
U.S. and Canada: (888) 955-4662
International: (714) 345-7900
Headquarters
4000 MacArthur Blvd.
Newport Beach, CA 92660
Order# PRB-200960A



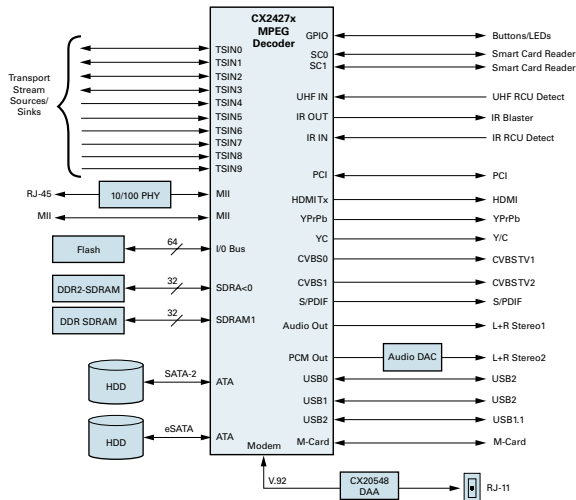


For a complete HDTV hardware design, the only additional components required are a tuner, demodulator, modem DAA, double data rate (DDR-2) synchronous dynamic random access memory (SDRAM), and flash memory ICs. This level of integration enables a low-cost system bill of materials and allows the flexibility of supporting different modulation and compression technologies with a low cost, highly featured MPEG solution for dual TV set-top box (STB) applications.

The CX2427x IC family is integrated into a fully engineered interactive TV STB reference development system that implements third-party interactive middleware/real-time operating system (RTOS) platforms and provides a complete set of STB low-level drivers. The STB development platform hardware is designed with a flexible architecture that supports multiple front end tuner/demodulator daughter boards. A mature and robust hardware abstraction layer is assured by re-use of core driver libraries developed over multiple generations of production MPEG ICs. Support for Nucleus+ and Linux OS is included, with the software architected to allow easy porting to other real-time OS.

Common Platform for Satellite, Cable, IP and Terrestrial STB manufacturers increasingly look to leverage a common hardware platform that can be reused over various broadband networks, including satellite, cable, terrestrial, DSL, and Telco networks. Conexant's CX2427x ICs can serve as a common back-end platform that easily interfaces to a variety of broadband

front ends, including QPSK, 8-PSK, DVB-S2, QAM, OFDM, 8-VSB, ADSL/VDSL, 802.3, 802.11a/b/g, Homeplug, MoCA® or IEEE 1394 through either transport stream, MII or PCI interfaces. This provides a flexible STB solution that can be targeted to a variety of broadband operators while minimizing hardware/software development costs.



CX2427x System Block Diagram

CX2427x Product Features

- High-performance ARM1176 CPU with 128K L2 cache supplying 800+Dhrystone 1.2 MIPS at 666MHz
- Dual 667MHz 32-bit DDR-2 memory interface (optionally configurable for 400MHz DDR support)
- DIRECTV/DVB transport stream demultiplexing
- Two multi-standard transport processors with 3DES, AES and Multi-II descrambling
- Transport stream processing capability supporting up to 6 records and 2 playback streams simultaneously for dual HD-PVR support
- Supports MPEG-2 MP@HL, MP@ML, MP@LL, SP@ML
- Supports H.264 MP@L4.1 and HP@L4.1
- Supports VC-1 AP@L3 and MP@HL
- Multi-plane video/graphics display controller
- HD displays supports HD 1080i and 720p picture output with six-plane compositing
- Supports constrained HDTV image output on YPrPb
- Supports video plane re-sizing for format conversion, picture-in-picture, or picture-in-graphics
- High-performance de-interlacing supports 480i to 480p/720p and 1080i to 480p/720p conversions
- Multi-format audio decoders supporting dual program decoding of any combination of MPEG-1, MPEG-2, Dolby Digital, Dolby Digital Plus, MPEG-2 AAC, MPEG-4 AAC, aacPlus, WMA and WMA Pro encoded bitstreams
- Advanced 2D graphics rendering engine for alphanit, bitblt, textblt, line draw, and color expansion acceleration

- Nine 10-bit video DACs; supports multiple output scenarios on a primary HD display with the same content downscaled to SD on a second display, with different HD content downscaled to SD on a third display optional support
- Macrovision® 7.x copy protection with 525p/625p optional support
- Advanced security features including secure boot SW authentication, IC personalization via OTP memory, and 3DES/AES ciphering engines
- Secure video processor (SVP) support
- Integrated DIRECTV security
- HDMI transmitter with HDCP
- Integrated RF modulator
- Dual BTSC stereo encoders
- Dual USB2.0 host controllers with integrated Phys
- USB 1.1 controller and Phy
- NDS XTV and RASP PVR support
- Dual Serial ATA-2 interfaces for internal or external HDD attachment
- Dual channel 10/100 Ethernet MAC with overclocked MIIs
- Two Smart Card ports
- 32-bit 33 MHz PCI controller
- CCIR656 YCrCb digital video output port
- Multiple I2S, I2C, SPI, GPIO, UARTs
- Integrated V.92 hardware modem
- OpenCable™ CableCARD™ M-Card interface
- 2 ultra-high frequency (UHF) remote inputs
- Infrared (IR) input/output