

COMLINEAR® CLC1008, CLC1018, CLC2008

0.5mA, Low Cost, 2.5 to 5.5V, 75MHz Rail-to-Rail Amplifiers

FEATURES

- 505µA supply current
- 75MHz bandwidth
- Power down to 33µA (CLC1018)
- Input voltage range with 5V supply: -0.3V to 3.8V
- Output voltage range with 5V supply: 0.07V to 4.86V
- 50V/µs slew rate
- 12nV/√Hz input voltage noise
- 15mA linear output current
- Fully specified at 2.7V and 5V supplies
- Replaces AD8031 in $V_S \leq 5$ applications
- CLC1008: Pb-free SOT23-5, SOIC-8
- CLC1018: Pb-free SOT23-6, SOIC--8
- CLC2008: Pb-free MSOP-8, SOIC-8

APPLICATIONS

- Portable/battery-powered applications
- Mobile communications, cell phones, pagers
- ADC buffer
- Active filters
- Portable test instruments
- Signal conditioning
- Medical Equipment
- Portable medical instrumentation

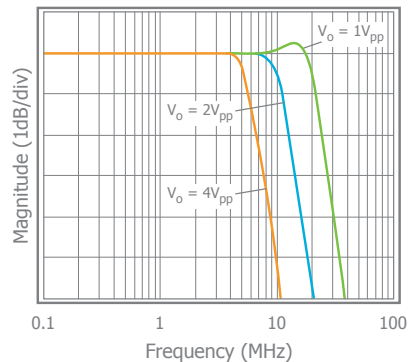
General Description

The COMLINEAR CLC1008 (single), CLC1018 (single with disable), and CLC2008 (dual) offer superior dynamic performance with 75MHz small signal bandwidth and 50V/µs slew rate. These amplifiers use only 505µA of supply current and are designed to operate from a supply range of 2.5V to 5.5V (± 1.25 to ± 2.75). The combination of low power, high output current drive, and rail-to-rail performance make the CLC1008, CLC1018, and CLC2008 well suited for battery-powered communication/ computing systems.

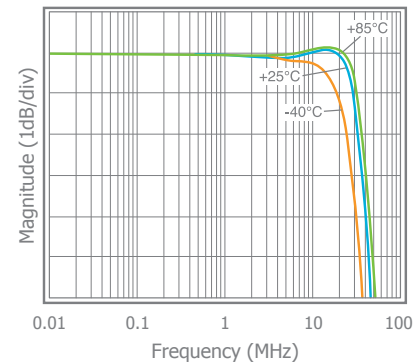
The combination of low cost and high performance make the CLC1008, CLC1018, and CLC2008 suitable for high volume applications in both consumer and industrial applications such as wireless phones, scanners, and color copiers.

Typical Performance Examples

Frequency Response vs. V_{OUT}



Frequency Response vs. Temperature



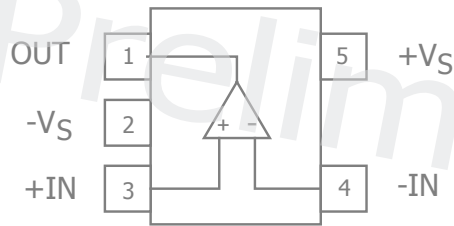
Ordering Information

Part Number	Package	Pb-Free	RoHS Compliant	Operating Temperature Range	Packaging Method
CLC1008IST5X*	SOT23-5	Yes	Yes	-40°C to +85°C	Reel
CLC1008ISO8X*	SOIC-8	Yes	Yes	-40°C to +85°C	Reel
CLC1018IST6X*	SOT23-6	Yes	Yes	-40°C to +85°C	Reel
CLC1018ISO8X*	SOIC-8	Yes	Yes	-40°C to +85°C	Reel
CLC2008IMP8X*	MSOP-8	Yes	Yes	-40°C to +85°C	Reel
CLC2008ISO8X	SOIC-8	Yes	Yes	-40°C to +85°C	Reel

Moisture sensitivity level for all parts is MSL-1. *Advance Information, contact CADEKA for availability.



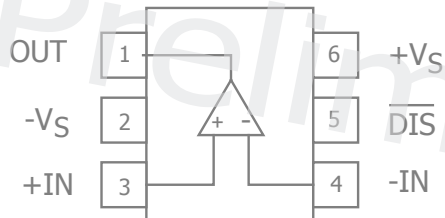
CLC1008 Pin Configuration



CLC1008 Pin Assignments

Pin No.	Pin Name	Description
1	OUT	Output
2	-VS	Negative supply
3	+IN	Positive input
4	-IN	Negative input
5	+VS	Positive supply

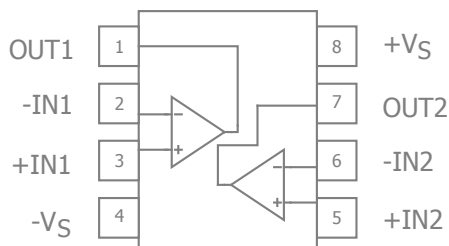
CLC1018 Pin Configuration



CLC1018 Pin Configuration

Pin No.	Pin Name	Description
1	OUT	Output
2	-VS	Negative supply
3	+IN	Positive input
4	-IN	Negative input
5	DIS	Disable pin. Enabled if pin is left floating or tied to +VS, disabled if pin is tied to -VS (which is GND in a single supply application).
6	+VS	Positive supply

CLC2008 Pin Configuration



CLC2008 Pin Configuration

Pin No.	Pin Name	Description
1	OUT1	Output, channel 1
2	-IN1	Negative input, channel 1
3	+IN1	Positive input, channel 1
4	-VS	Negative supply
5	+IN2	Positive input, channel 2
6	-IN2	Negative input, channel 2
7	OUT2	Output, channel 2
8	+VS	Positive supply



Absolute Maximum Ratings

The safety of the device is not guaranteed when it is operated above the "Absolute Maximum Ratings". The device should not be operated at these "absolute" limits. Adhere to the "Recommended Operating Conditions" for proper device function. The information contained in the Electrical Characteristics tables and Typical Performance plots reflect the operating conditions noted on the tables and plots.

Parameter	Min	Max	Unit
Supply Voltage	0	6	V
Input Voltage Range	$-V_S - 0.5V$	$+V_S + 0.5V$	V
Continuous Output Current	-30	30	mA

Reliability Information

Parameter	Min	Typ	Max	Unit
Junction Temperature			175	°C
Storage Temperature Range	-65		150	°C
Lead Temperature (Soldering, 10s)			260	°C
Package Thermal Resistance				
5-Lead SOT23		221		°C/W
6-Lead SOT23		177		°C/W
8-Lead SOIC		100		°C/W
8-Lead MSOP		139		°C/W

Notes:

Package thermal resistance (θ_{JA}), JEDEC standard, multi-layer test boards, still air.

Recommended Operating Conditions

Parameter	Min	Typ	Max	Unit
Operating Temperature Range	-40		+85	°C
Supply Voltage Range	2.5		5.5	V



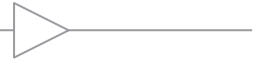
Electrical Characteristics at +2.7V

$T_A = 25^\circ\text{C}$, $V_S = +2.7\text{V}$, $R_f = R_g = 1\text{k}\Omega$, $R_L = 1\text{k}\Omega$ to $V_S/2$, $G = 2$; unless otherwise noted.

Symbol	Parameter	Conditions	Min	Typ	Max	Units
Frequency Domain Response						
$UGBW_{SS}$	Unity Gain -3dB Bandwidth	$G = +1$, $V_{OUT} = 0.05V_{pp}$, $R_f = 0$		65		MHz
BW_{SS}	-3dB Bandwidth	$G = +2$, $V_{OUT} < 0.2V_{pp}$		30		MHz
BW_{LS}	Large Signal Bandwidth	$G = +2$, $V_{OUT} = 2V_{pp}$		12		MHz
GBWP	Gain Bandwidth Product	$G = +11$, $V_{OUT} = 0.2V_{pp}$		28		MHz
Time Domain Response						
t_R , t_F	Rise and Fall Time	$V_{OUT} = 0.2\text{V}$ step; (10% to 90%)		7.5		ns
t_S	Settling Time to 0.1%	$V_{OUT} = 1\text{V}$ step		60		ns
OS	Overshoot	$V_{OUT} = 1\text{V}$ step		10		%
SR	Slew Rate	2V step, $G = -1$		40		V/ μs
Distortion/Noise Response						
HD2	2nd Harmonic Distortion	$V_{OUT} = 1V_{pp}$, 1MHz		-67		dBc
HD3	3rd Harmonic Distortion	$V_{OUT} = 1V_{pp}$, 1MHz		-72		dBc
THD	Total Harmonic Distortion	$V_{OUT} = 1V_{pp}$, 1MHz		65		dB
e_n	Input Voltage Noise	> 10kHz		12		nV/ $\sqrt{\text{Hz}}$
DC Performance						
V_{IO}	Input Offset Voltage			0		mV
dV_{IO}	Average Drift			10		$\mu\text{V}/^\circ\text{C}$
I_b	Input Bias Current			1.2		μA
dI_b	Average Drift			3.5		nA/ $^\circ\text{C}$
I_{OS}	Input Offset Current			30		nA
PSRR	Power Supply Rejection Ratio ⁽¹⁾	DC	60	66		dB
A_{OL}	Open-Loop Gain	$V_{OUT} = V_S/2$		98		dB
I_S	Supply Current	per channel		470		μA
Disable Characteristics						
T_{ON}	Turn On Time			0.54		μs
T_{OFF}	Turn Off Time			4.3		μs
OFF _{ISO}	Off Isolation	5MHz, $R_L = 100\Omega$		58		dB
I_{SD}	Disable Supply Current	per channel, \overline{DIS} tied to GND		15		μA
Input Characteristics						
R_{IN}	Input Resistance	Non-inverting		9		M Ω
C_{IN}	Input Capacitance			1.5		pF
CMIR	Common Mode Input Range			-0.3 to 1.5		V
CMRR	Common Mode Rejection Ratio	DC, $V_{CM} = 0\text{V}$ to $V_S - 1.5$		74		dB
Output Characteristics						
V_{OUT}	Output Voltage Swing	$R_L = 1\text{k}\Omega$ to $V_S/2$		0.09 to 2.53		V
		$R_L = 10\text{k}\Omega$ to $V_S/2$		0.05 to 2.6		V
I_{OUT}	Output Current			± 15		mA
I_{SC}	Short Circuit Output Current			± 30		mA

Notes:

- 100% tested at 25°C



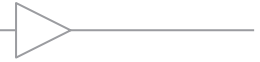
Electrical Characteristics at +5V

$T_A = 25^\circ\text{C}$, $V_S = +5\text{V}$, $R_f = R_g = 1\text{k}\Omega$, $R_L = 1\text{k}\Omega$ to $V_S/2$, $G = 2$; unless otherwise noted.

Symbol	Parameter	Conditions	Min	Typ	Max	Units
Frequency Domain Response						
UGBW _{SS}	Unity Gain -3dB Bandwidth	$G = +1$, $V_{\text{OUT}} = 0.05V_{\text{pp}}$, $R_f = 0$		75		MHz
BW _{SS}	-3dB Bandwidth	$G = +2$, $V_{\text{OUT}} < 0.2V_{\text{pp}}$		35		MHz
BW _{LS}	Large Signal Bandwidth	$G = +2$, $V_{\text{OUT}} = 2V_{\text{pp}}$		15		MHz
GBWP	Gain Bandwidth Product	$G = +11$, $V_{\text{OUT}} = 0.2V_{\text{pp}}$		33		MHz
Time Domain Response						
t_R , t_F	Rise and Fall Time	$V_{\text{OUT}} = 0.2\text{V}$ step; (10% to 90%)		6		ns
t_S	Settling Time to 0.1%	$V_{\text{OUT}} = 1\text{V}$ step		60		ns
OS	Overshoot	$V_{\text{OUT}} = 1\text{V}$ step		12		%
SR	Slew Rate	2V step, $G = -1$		50		V/ μs
Distortion/Noise Response						
HD2	2nd Harmonic Distortion	$V_{\text{OUT}} = 2V_{\text{pp}}$, 1MHz		-64		dBc
HD3	3rd Harmonic Distortion	$V_{\text{OUT}} = 2V_{\text{pp}}$, 1MHz		-62		dBc
THD	Total Harmonic Distortion	$V_{\text{OUT}} = 2V_{\text{pp}}$, 1MHz		60		dB
e_n	Input Voltage Noise	> 10kHz		12		nV/ $\sqrt{\text{Hz}}$
DC Performance						
V_{IO}	Input Offset Voltage ⁽¹⁾		-5	-1	5	mV
dV_{IO}	Average Drift			10		$\mu\text{V}/^\circ\text{C}$
I_b	Input Bias Current ⁽¹⁾		-3.5	1.2	3.5	μA
dI_b	Average Drift			3.5		nA/ $^\circ\text{C}$
I_{OS}	Input Offset Current ⁽¹⁾			30	350	nA
PSRR	Power Supply Rejection Ratio ⁽¹⁾	DC	60	66		dB
A_{OL}	Open-Loop Gain	$V_{\text{OUT}} = V_S/2$	65	80		dB
I_S	Supply Current ⁽¹⁾	per channel		505	620	μA
Disable Characteristics						
T_{ON}	Turn On Time			0.33		μs
T_{OFF}	Turn Off Time			5.5		μs
OFF _{ISO}	Off Isolation	5MHz, $R_L = 100\Omega$		58		dB
I_{SD}	Disable Supply Current ⁽¹⁾	per channel, $\overline{\text{DIS}}$ tied to GND		33		μA
Input Characteristics						
R_{IN}	Input Resistance	Non-inverting		9		M Ω
C_{IN}	Input Capacitance			1.5		pF
CMIR	Common Mode Input Range			-0.3 to 3.8		V
CMRR	Common Mode Rejection Ratio ⁽¹⁾	DC, $V_{\text{CM}} = 0\text{V}$ to $V_S - 1.5$	65	74		dB
Output Characteristics						
V_{OUT}	Output Voltage Swing	$R_L = 1\text{k}\Omega$ to $V_S/2$ ⁽¹⁾	0.2 to 4.65	0.13 to 4.73		V
		$R_L = 10\text{k}\Omega$ to $V_S/2$		0.08 to 4.84		V
I_{OUT}	Output Current			± 15		mA
I_{SC}	Short Circuit Output Current			± 30		mA

Notes:

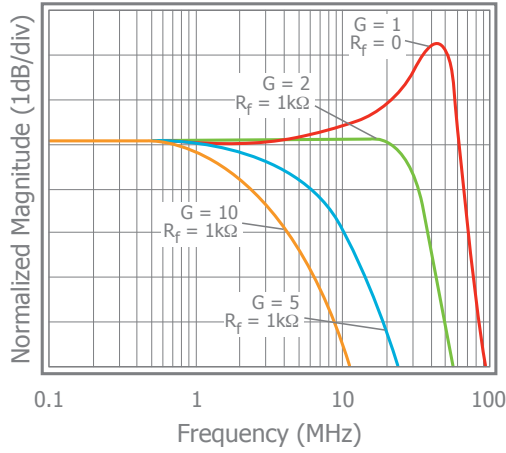
1. 100% tested at 25°C



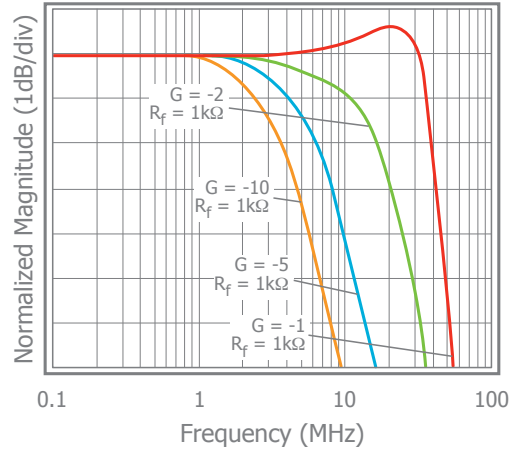
Typical Performance Characteristics

$T_A = 25^\circ\text{C}$, $V_S = +5\text{V}$, $R_f = R_g = 1\text{k}\Omega$, $R_L = 1\text{k}\Omega$ to $V_S/2$, $G = 2$; unless otherwise noted.

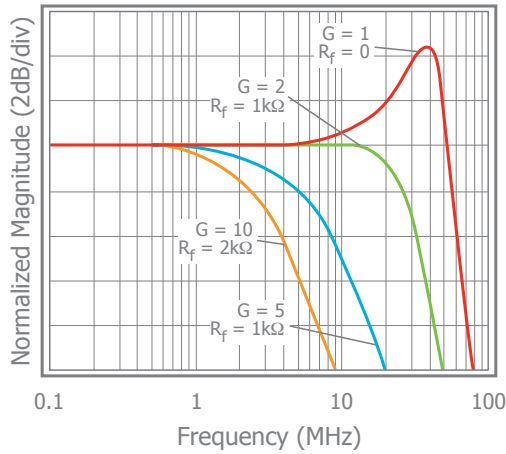
Non-Inverting Frequency Response at $V_S = 5\text{V}$



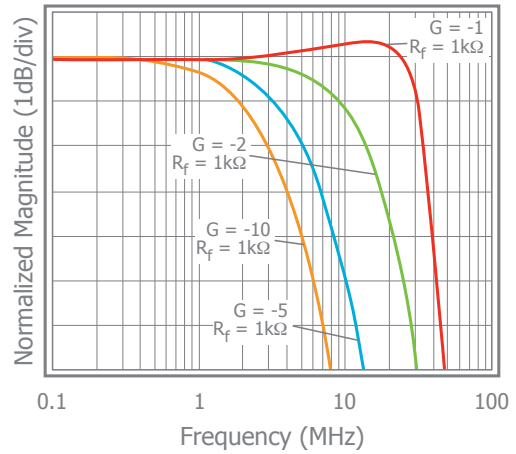
Inverting Frequency Response at $V_S = 5\text{V}$



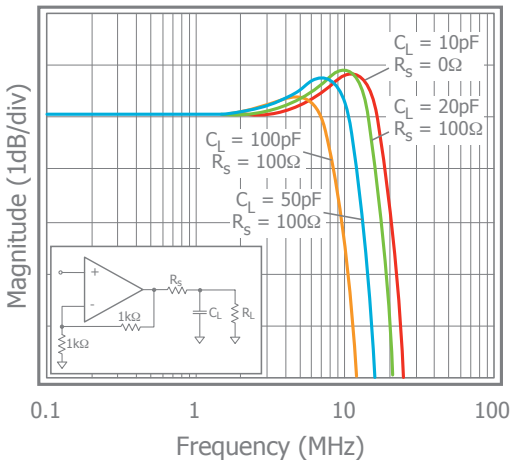
Non-Inverting Frequency Response



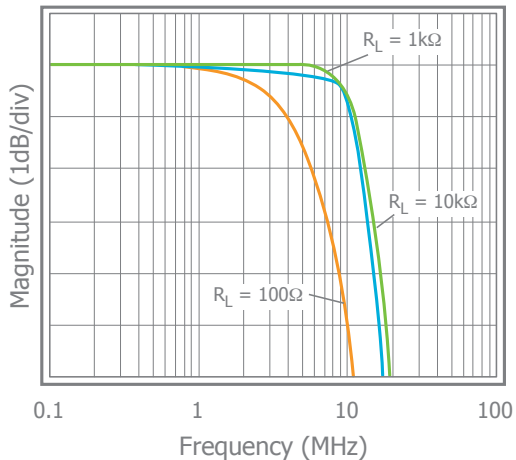
Inverting Frequency Response



Frequency Response vs. C_L



Frequency Response vs. R_L

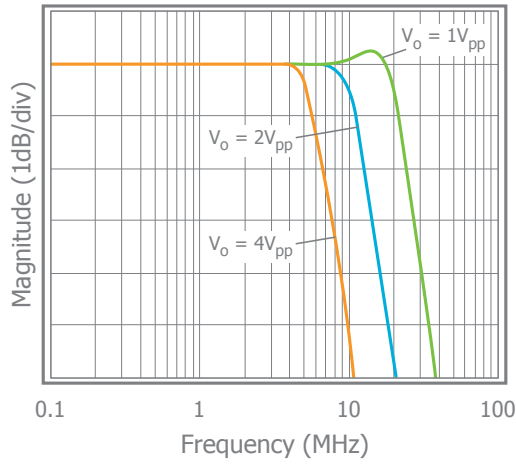




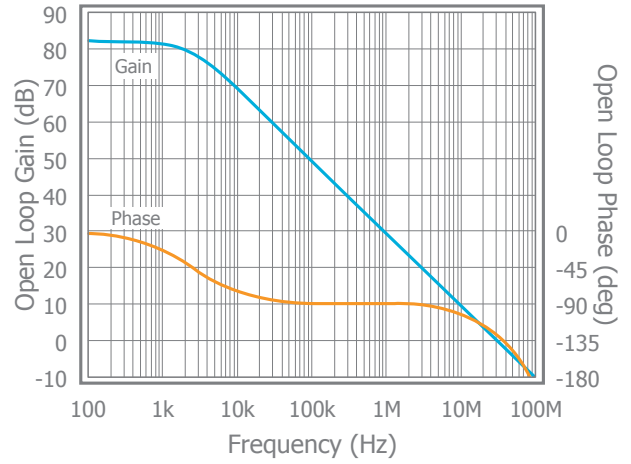
Typical Performance Characteristics

$T_A = 25^\circ\text{C}$, $V_S = +5\text{V}$, $R_f = R_g = 1\text{k}\Omega$, $R_L = 1\text{k}\Omega$ to $V_S/2$, $G = 2$; unless otherwise noted.

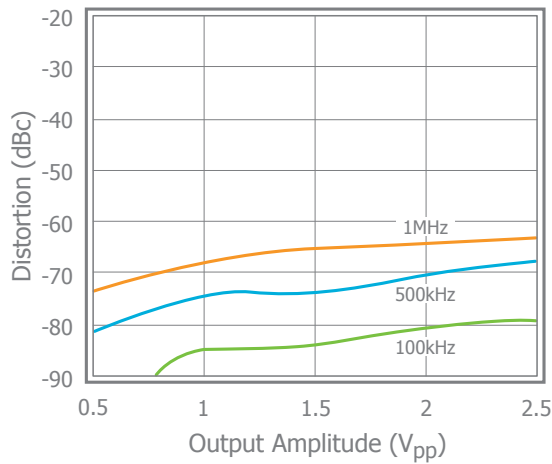
Frequency Response vs. V_{OUT}



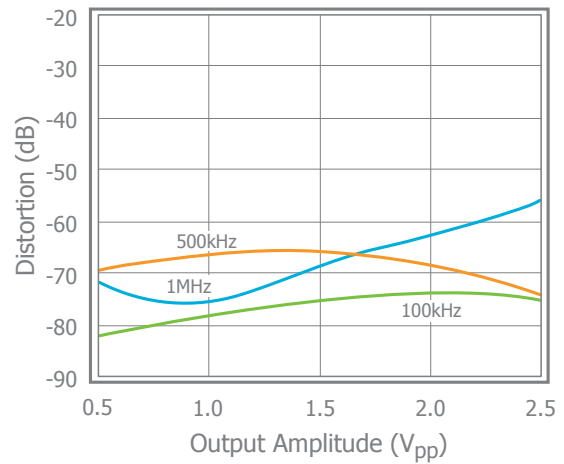
Open Loop Gain & Phase vs. Frequency



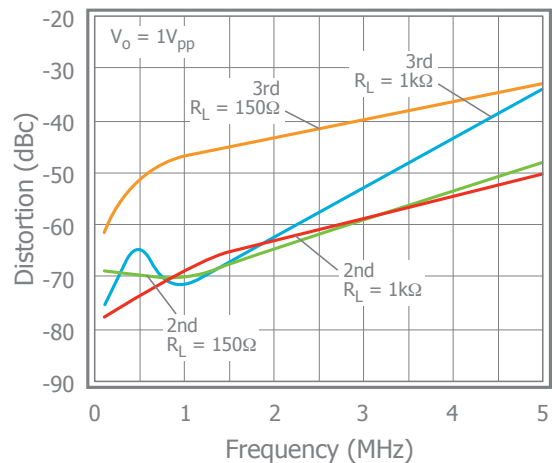
2nd Harmonic Distortion vs. V_{OUT}



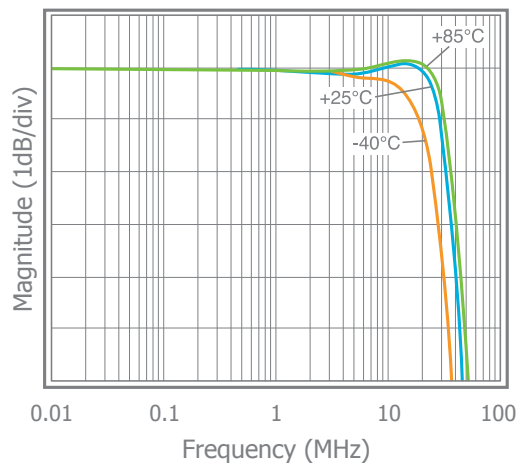
3rd Harmonic Distortion vs. V_{OUT}



2nd & 3rd Harmonic Distortion



Frequency Response vs. Temperature



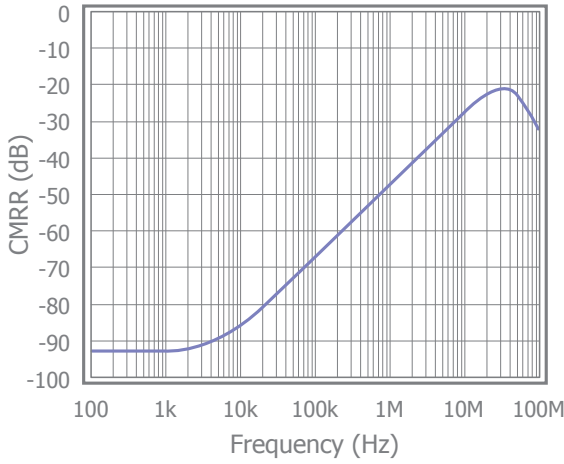
COMLINEAR CLC1008, CLC1018, CLC2008 0.5mA, Low Cost, 75MHz Rail-to-Rail Amplifiers Rev 2A



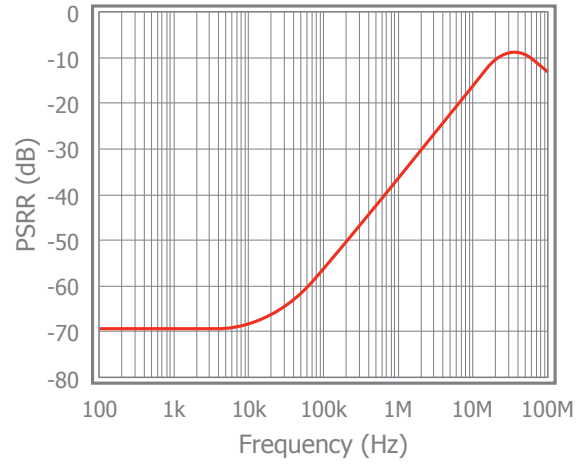
Typical Performance Characteristics - Continued

$T_A = 25^\circ\text{C}$, $V_S = +5\text{V}$, $R_f = R_g = 1\text{k}\Omega$, $R_L = 1\text{k}\Omega$ to $V_S/2$, $G = 2$; unless otherwise noted.

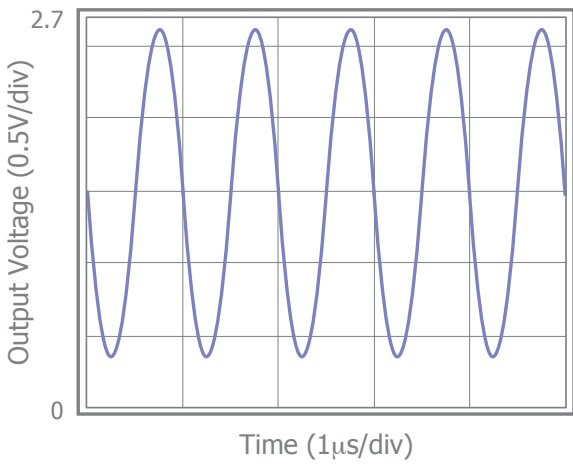
CMRR



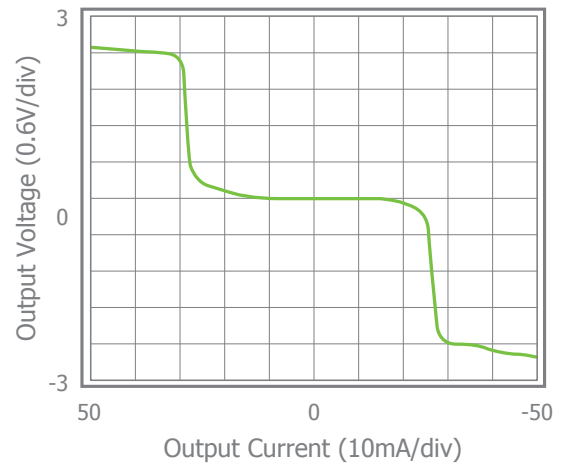
PSRR



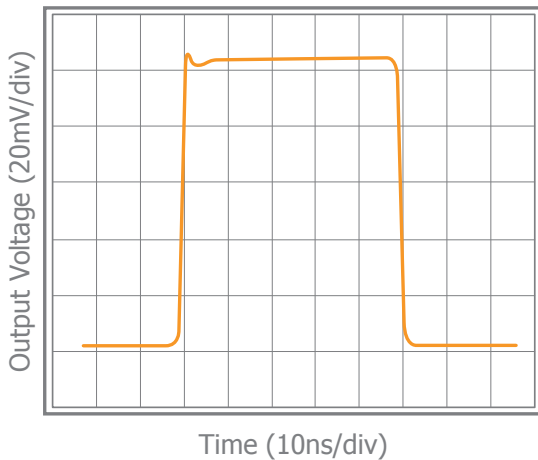
Output Swing



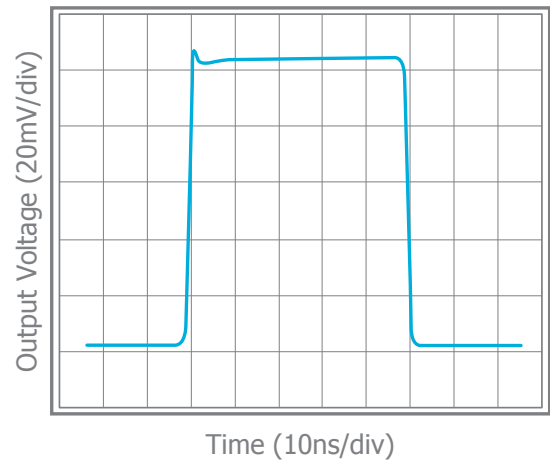
Output Voltage vs. Output Current



Small Signal Pulse Response



Small Signal Pulse Response at $V_S = 5\text{V}$



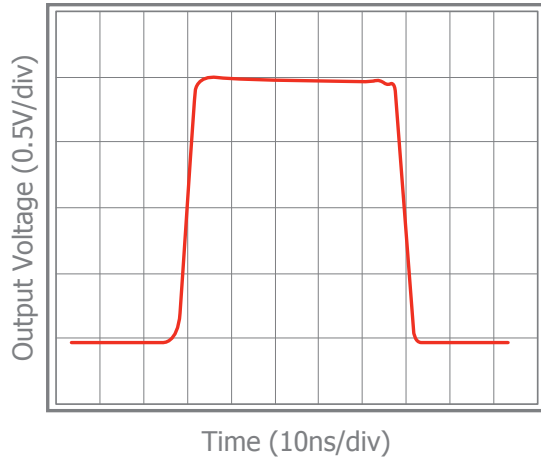
COMLINEAR CLC1008, CLC1018, CLC2008 0.5mA, Low Cost, 75MHz Rail-to-Rail Amplifiers Rev 2A



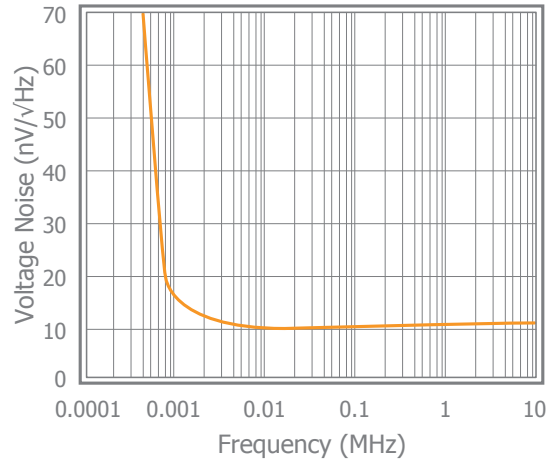
Typical Performance Characteristics - Continued

$T_A = 25^\circ\text{C}$, $V_S = +5\text{V}$, $R_f = R_g = 1\text{k}\Omega$, $R_L = 1\text{k}\Omega$ to $V_S/2$, $G = 2$; unless otherwise noted.

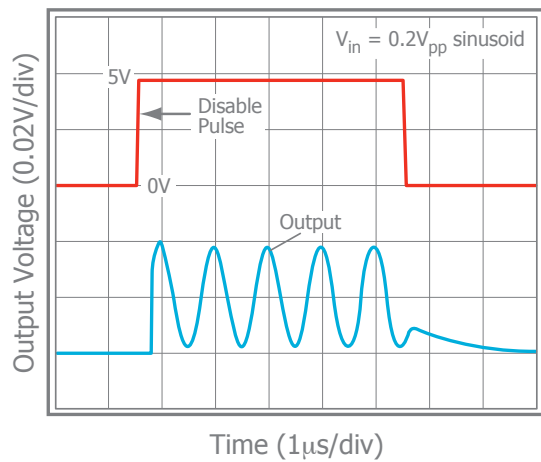
Large Signal Pulse Response at $V_S = 5\text{V}$



Input Voltage Noise



Enable / Disable Response





Application Information

General Description

The CLC1008 family are a single supply, general purpose, voltage-feedback amplifiers fabricated on a complementary bipolar process. The CLC1008 offers 75MHz unity gain bandwidth, 50V/ μ s slew rate, and only 505 μ A supply current. It features a rail-to-rail output stage and is unity gain stable.

Figures 1, 2, and 3 illustrate typical circuit configurations for non-inverting, inverting, and unity gain topologies for dual supply applications. They show the recommended bypass capacitor values and overall closed loop gain equations. Figure 4 shows the typical non-inverting gain circuit for single supply applications.

The common mode input range extends to 300mV below ground in single supply operation. Exceeding these values will not cause phase reversal. However, if the input voltage exceeds the rails by more than 0.5V, the input ESD devices will begin to conduct.

The design uses a Darlington output stage. The output stage is short circuit protected and offers "soft" saturation protection that improves recovery time.

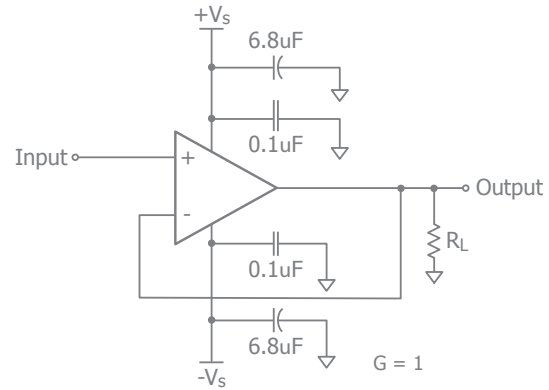


Figure 3. Unity Gain Circuit

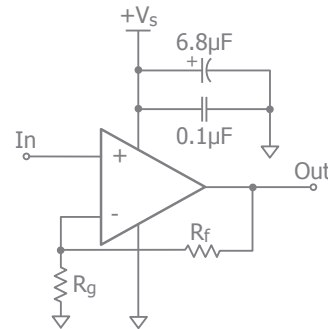


Figure 4. Single Supply Non-Inverting Gain Circuit

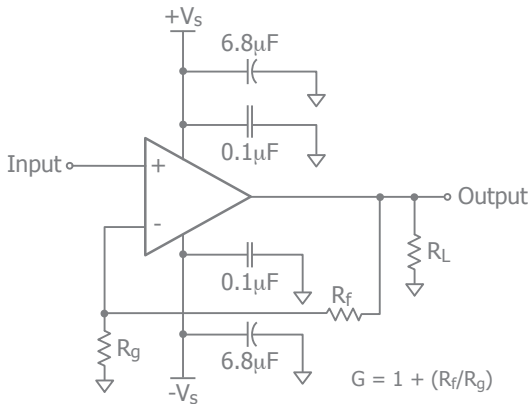


Figure 1. Typical Non-Inverting Gain Circuit

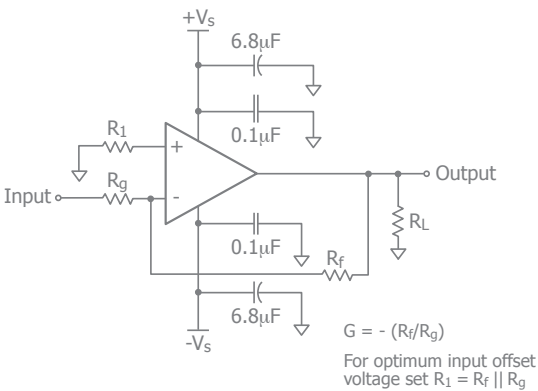


Figure 2. Typical Inverting Gain Circuit

For optimum response at a gain of +2, a feedback resistor of 1k Ω is recommended. Figure 5 illustrates the CLC1008 frequency response with both 1k Ω and 2k Ω feedback resistors.

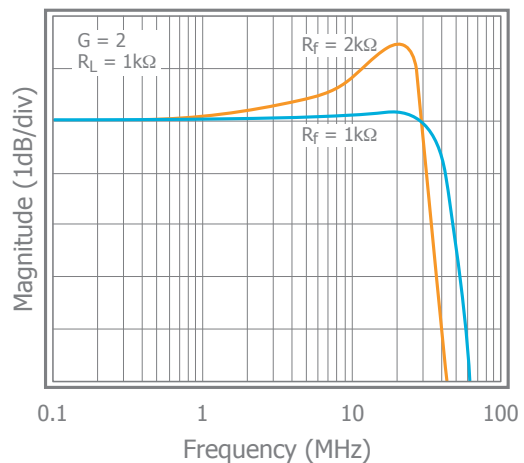
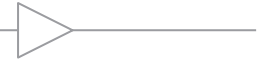


Figure 5. Frequency Response vs. R_f



Enable/Disable Function (CLC1018)

The CLC1018 offers an active-low disable pin that can be used to lower its supply current. Leave the pin floating to enable the part. Pull the disable pin to the negative supply (which is ground in a single supply application) to disable the output. During the disable condition, the nominal supply current will drop to below 30µA and the output will be at high impedance with about 2pF capacitance.

Power Dissipation

Power dissipation should not be a factor when operating under the stated 1k ohm load condition. However, applications with low impedance, DC coupled loads should be analyzed to ensure that maximum allowed junction temperature is not exceeded. Guidelines listed below can be used to verify that the particular application will not cause the device to operate beyond its intended operating range.

Maximum power levels are set by the absolute maximum junction rating of 150°C. To calculate the junction temperature, the package thermal resistance value Θ_{JA} (Θ_{JA}) is used along with the total die power dissipation.

$$T_{\text{Junction}} = T_{\text{Ambient}} + (\Theta_{JA} \times P_D)$$

Where T_{Ambient} is the temperature of the working environment.

In order to determine P_D , the power dissipated in the load needs to be subtracted from the total power delivered by the supplies.

$$P_D = P_{\text{supply}} - P_{\text{load}}$$

Supply power is calculated by the standard power equation.

$$P_{\text{supply}} = V_{\text{supply}} \times I_{\text{RMS supply}}$$

$$V_{\text{supply}} = V_{S+} - V_{S-}$$

Power delivered to a purely resistive load is:

$$P_{\text{load}} = ((V_{\text{LOAD}})_{\text{RMS}}^2) / R_{\text{load eff}}$$

The effective load resistor ($R_{\text{load eff}}$) will need to include the effect of the feedback network. For instance,

$R_{\text{load eff}}$ in Figure 3 would be calculated as:

$$R_L \parallel (R_f + R_g)$$

These measurements are basic and are relatively easy to perform with standard lab equipment. For design purposes

however, prior knowledge of actual signal levels and load impedance is needed to determine the dissipated power. Here, P_D can be found from

$$P_D = P_{\text{Quiescent}} + P_{\text{Dynamic}} - P_{\text{Load}}$$

Quiescent power can be derived from the specified I_S values along with known supply voltage, V_{Supply} . Load power can be calculated as above with the desired signal amplitudes using:

$$(V_{\text{LOAD}})_{\text{RMS}} = V_{\text{PEAK}} / \sqrt{2}$$

$$(I_{\text{LOAD}})_{\text{RMS}} = (V_{\text{LOAD}})_{\text{RMS}} / R_{\text{load eff}}$$

The dynamic power is focused primarily within the output stage driving the load. This value can be calculated as:

$$P_{\text{DYNAMIC}} = (V_{S+} - V_{\text{LOAD}})_{\text{RMS}} \times (I_{\text{LOAD}})_{\text{RMS}}$$

Assuming the load is referenced in the middle of the power rails or $V_{\text{supply}}/2$.

The CLC1008 is short circuit protected. However, this may not guarantee that the maximum junction temperature (+150°C) is not exceeded under all conditions. Figure 6 shows the maximum safe power dissipation in the package vs. the ambient temperature for the packages available.

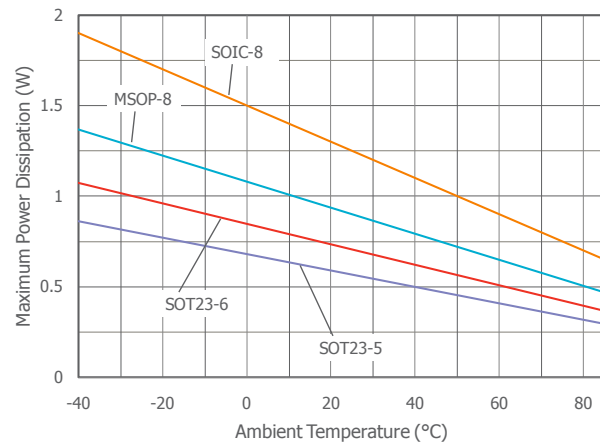


Figure 6. Maximum Power Derating

Driving Capacitive Loads

Increased phase delay at the output due to capacitive loading can cause ringing, peaking in the frequency response, and possible unstable behavior. Use a series resistance, R_S , between the amplifier and the load to help improve stability and settling performance. Refer to Figure 7.

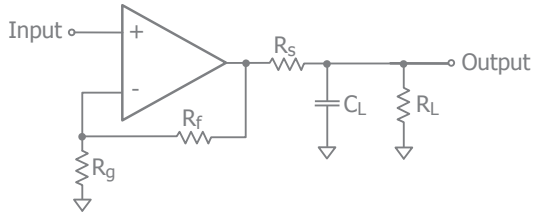


Figure 7. Addition of R_S for Driving Capacitive Loads

Table 1 provides the recommended R_S for various capacitive loads. The recommended R_S values result in approximately 1dB peaking in the frequency response. The Frequency Response vs. C_L plot, on page 4, illustrates the response of the CLCx008.

C_L (pF)	R_S (Ω)	-3dB BW (kHz)
10pF	0	22
20pF	100	19
50pF	100	12
100pF	100	10.2

Table 1: Recommended R_S vs. C_L

For a given load capacitance, adjust R_S to optimize the tradeoff between settling time and bandwidth. In general, reducing R_S will increase bandwidth at the expense of additional overshoot and ringing.

Overdrive Recovery

An overdrive condition is defined as the point when either one of the inputs or the output exceed their specified voltage range. Overdrive recovery is the time needed for the amplifier to return to its normal or linear operating point. The recovery time varies, based on whether the input or output is overdriven and by how much the range is exceeded. The CLC1008, CLC1018, and CLC2008 will typically recover in less than 20ns from an overdrive condition. Figure 8 shows the CLC1008 in an overdriven condition.

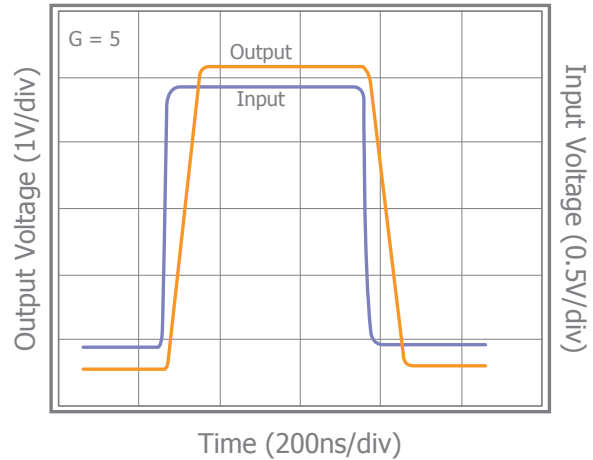


Figure 8. Overdrive Recovery

Layout Considerations

General layout and supply bypassing play major roles in high frequency performance. CADEKA has evaluation boards to use as a guide for high frequency layout and as an aid in device testing and characterization. Follow the steps below as a basis for high frequency layout:

- Include 6.8 μF and 0.1 μF ceramic capacitors for power supply decoupling
- Place the 6.8 μF capacitor within 0.75 inches of the power pin
- Place the 0.1 μF capacitor within 0.1 inches of the power pin
- Remove the ground plane under and around the part, especially near the input and output pins to reduce parasitic capacitance
- Minimize all trace lengths to reduce series inductances

Refer to the evaluation board layouts below for more information.

Evaluation Board Information

The following evaluation boards are available to aid in the testing and layout of these devices:

Evaluation Board	Products
CEB002	CLC1008, CLC1018 in SOT23
CEB003	CLC1008 in SOIC
CEB006	CLC2008 in SOIC
CEB010	CLC2008 in MSOP



Evaluation Board Schematics

Evaluation board schematics and layouts are shown in Figures 8-14. These evaluation boards are built for dual-supply operation. Follow these steps to use the board in a single-supply application:

1. Short -Vs to ground.
2. Use C3 and C4, if the -Vs pin of the amplifier is not directly connected to the ground plane.

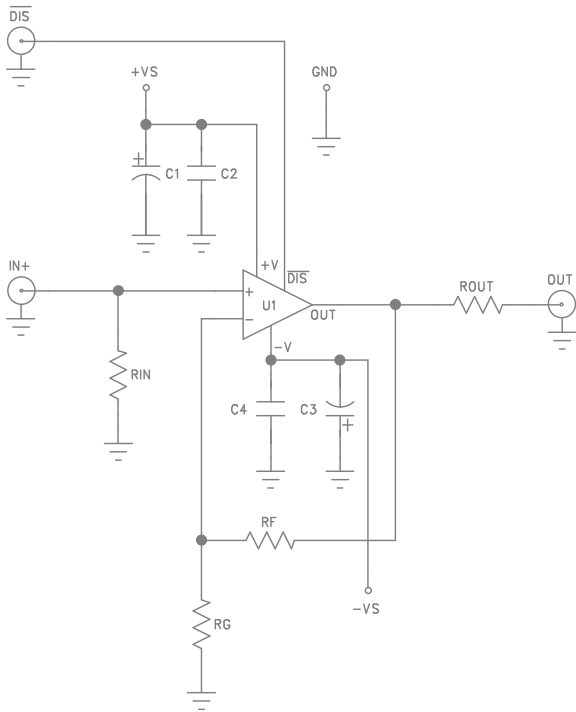


Figure 8. CEB002 & CEB003 Schematic

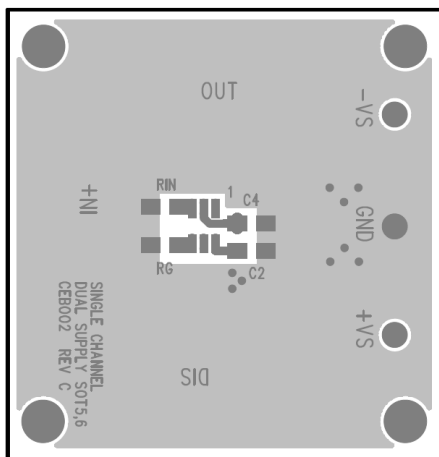


Figure 9. CEB002 Top View

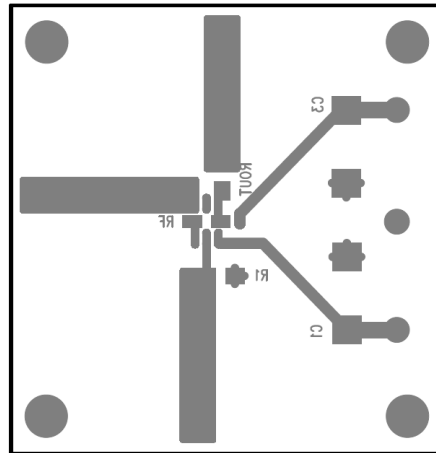


Figure 10. CEB002 Bottom View

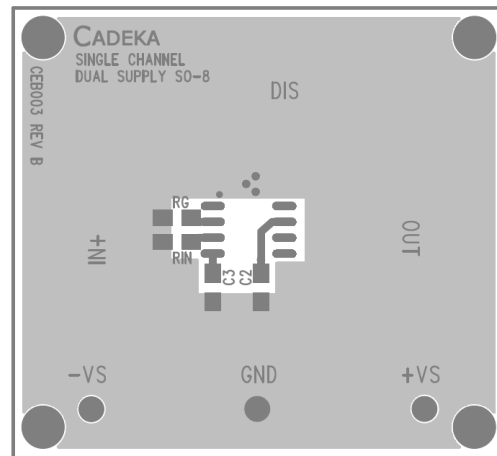


Figure 11. CEB003 Top View

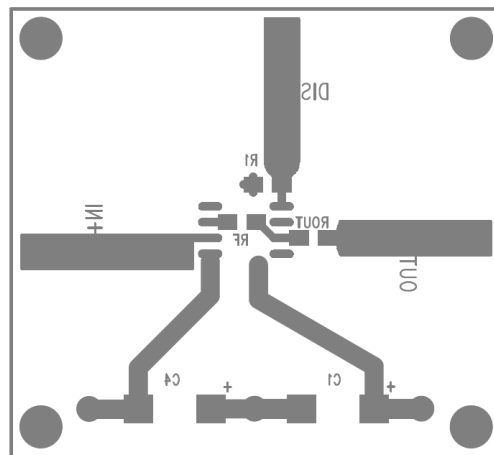


Figure 12. CEB003 Bottom View

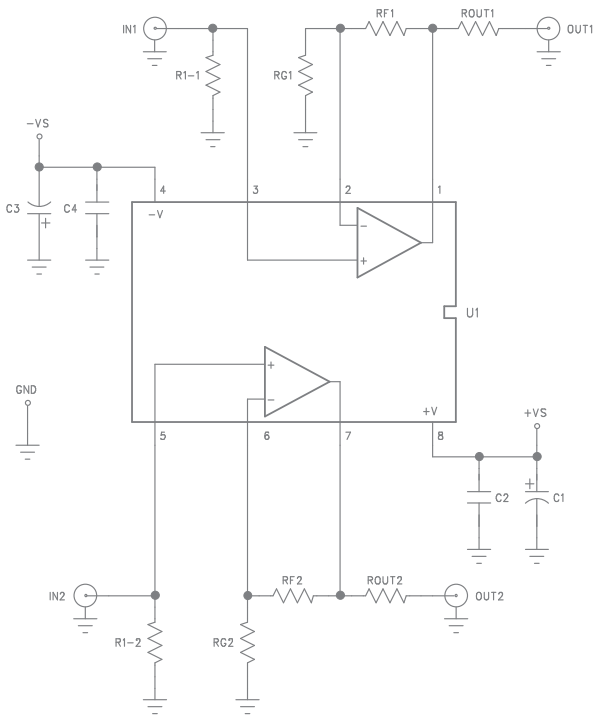


Figure 11. CEB006 & CEB010 Schematic

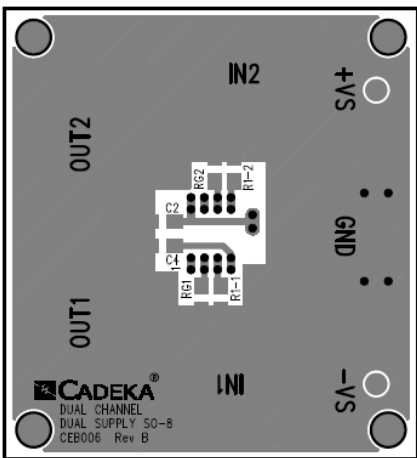


Figure 12. CEB006 Top View

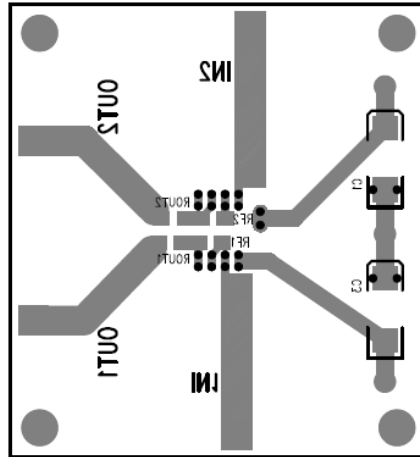


Figure 13. CEB006 Bottom View

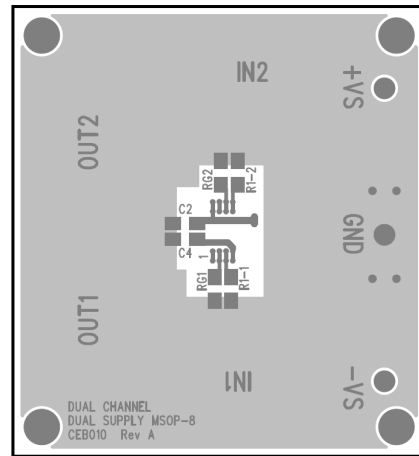


Figure 15. CEB010 Top View

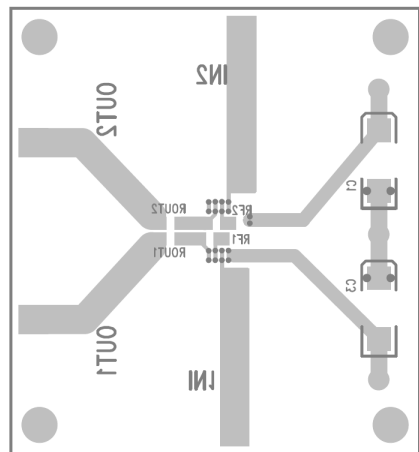
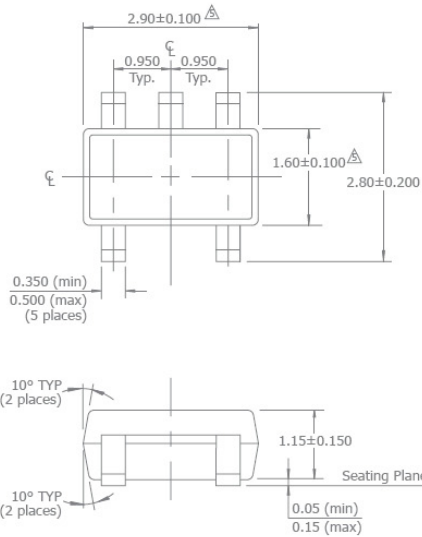


Figure 16. CEB010 Bottom View



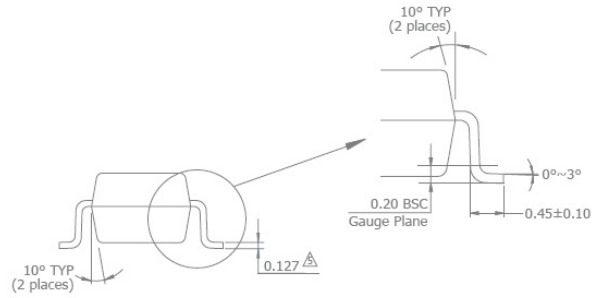
Mechanical Dimensions

SOT23-5 Package

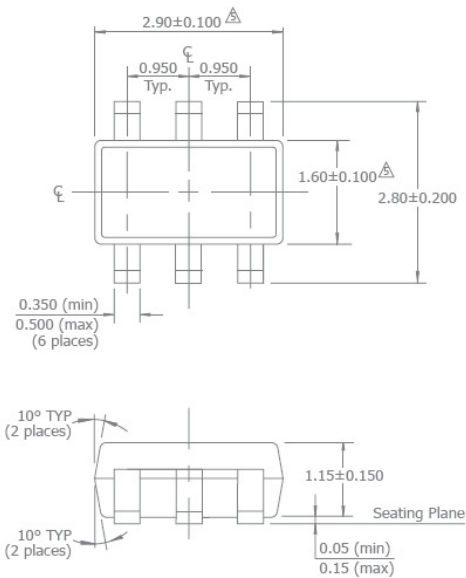


NOTES:

1. Dimensions and tolerances are as per ANSI Y14.5M-1982.
 2. Package surface to be matte finish VDI 11~13.
 3. Die is facing up for mold. Die is facing down for trim/form, ie. reverse trim/form.
 4. The footlength measuring is based on the guage plane method.
- △ Dimension are exclusive of mold flash and gate burr.
 △ Dimension are exclusive of solder plating.

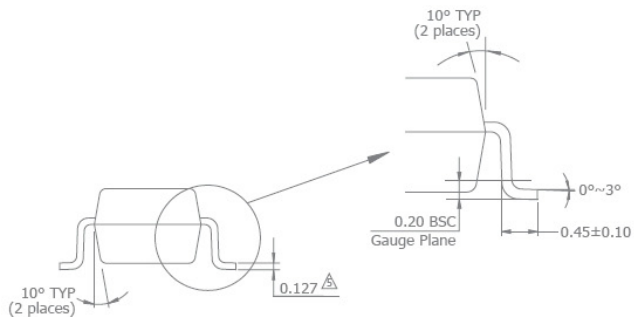


SOT23-6



NOTES:

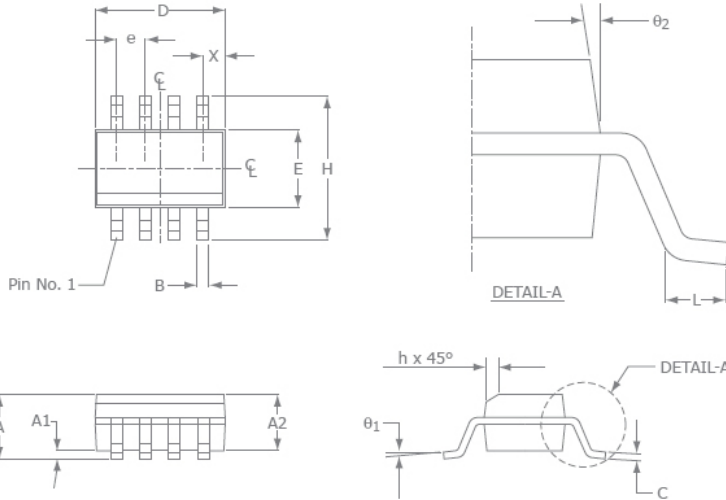
1. Dimensions and tolerances are as per ANSI Y14.5M-1982.
 2. Package surface to be matte finish VDI 11~13.
 3. Die is facing up for mold. Die is facing down for trim/form, ie. reverse trim/form.
 4. The footlength measuring is based on the guage plane method.
- △ Dimension are exclusive of mold flash and gate burr.
 △ Dimension are exclusive of solder plating.





Mechanical Dimensions continued

SOIC-8 Package

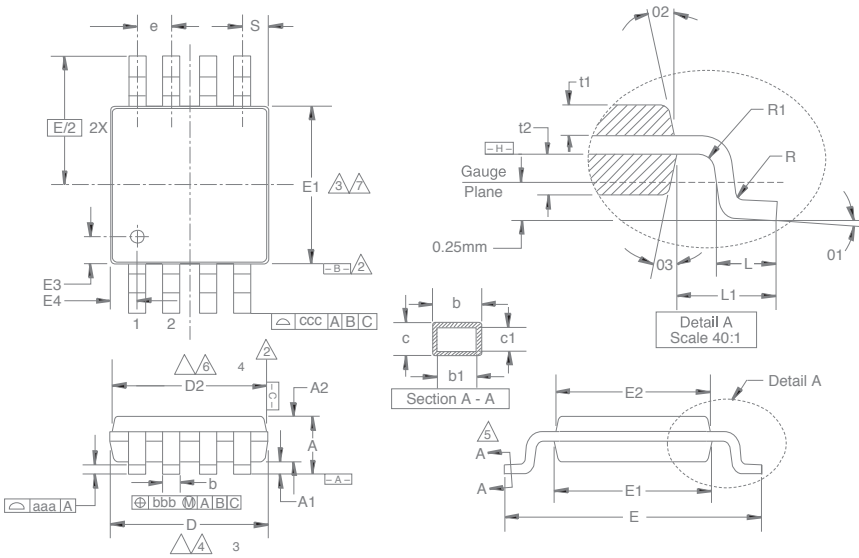


SOIC-8		
SYMBOL	MIN	MAX
A1	0.10	0.25
B	0.36	0.48
C	0.19	0.25
D	4.80	4.98
E	3.81	3.99
e	1.27 BSC	
H	5.80	6.20
h	0.25	0.5
L	0.41	1.27
A	1.37	1.73
θ_1	0°	8°
X	0.55 ref	
θ_2	7° BSC	

NOTE:

1. All dimensions are in millimeters.
2. Lead coplanarity should be 0 to 0.1mm (0.004") max.
3. Package surface finishing: VDI 24~27
4. All dimension excluding mold flashes.
5. The lead width, B to be determined at 0.1905mm from the lead tip.

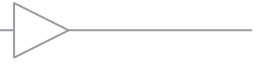
MSOP-8 Package



Symbol	Min	Max
A	1.10	-
A1	0.10	±0.05
A2	0.86	±0.08
D	3.00	±0.10
D2	2.95	±0.10
E	4.90	±0.15
E1	3.00	±0.10
E2	2.95	±0.10
E3	0.51	±0.13
E4	0.51	±0.13
R	0.15	+0.15/-0.06
R1	0.15	+0.15/-0.06
t1	0.31	±0.08
t2	0.41	±0.08
b	0.33	+0.07/-0.08
b1	0.30	±0.05
c	0.18	±0.05
c1	0.15	+0.03/-0.02
θ_1	3.0°	±3.0°
θ_2	12.0°	±3.0°
θ_3	12.0°	±3.0°
L	0.55	±0.15
L1	0.95 BSC	-
aaa	0.10	-
bbb	0.08	-
ccc	0.25	-
e	0.65 BSC	-
S	0.525 BSC	-

NOTE:

1. All dimensions are in millimeters (angle in degrees), unless otherwise specified.
- ▲ Datums \overline{B} and \overline{C} to be determined at datum plane \overline{H} .
- ▲ Dimensions "D" and "E1" are to be determined at datum \overline{H} .
- ▲ Dimensions "D2" and "E2" are for top package and dimensions "D" and "E1" are for bottom package.
- ▲ Cross sections A - A to be determined at 0.13 to 0.25mm from the leadtip.
- ▲ Dimension "D" and "D2" does not include mold flash, protrusion or gate burrs.
- ▲ Dimension "E1" and "E2" does not include interlead flash or protrusion.



For additional information regarding our products, please visit CADEKA at: cadeka.com

CADEKA Headquarters Loveland, Colorado
T: 970.663.5452
T: 877.663.5452 (toll free)

CADEKA, the CADEKA logo design, COMLINEAR, and the COMLINEAR logo design are trademarks or registered trademarks of CADEKA Microcircuits LLC. All other brand and product names may be trademarks of their respective companies.

CADEKA reserves the right to make changes to any products and services herein at any time without notice. CADEKA does not assume any responsibility or liability arising out of the application or use of any product or service described herein, except as expressly agreed to in writing by CADEKA; nor does the purchase, lease, or use of a product or service from CADEKA convey a license under any patent rights, copyrights, trademark rights, or any other of the intellectual property rights of CADEKA or of third parties.

Copyright ©2009-2011 by CADEKA Microcircuits LLC. All rights reserved.

