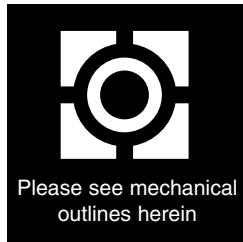


1.5 AMP AND 3 AMP LOW DROPOUT 3.3 VOLTAGE POSITIVE REGULATOR



**+3.3 Volt, Low Dropout Positive Regulators
in Hermetic Packages**

FEATURES

- Low Dropout Voltage and Ground Currents
- High Current Capability
- Built-In Thermal Overload Protection
- Short Circuit Current Limiting
- Output Voltage Tolerance Guaranteed to $\pm 1\%$
- Available in Multiple Hermetic Package Styles
- Output Current from .75A to 3.0A

DESCRIPTION

This series of +3.3 Voltage Regulators are high current, high accuracy, low dropout regulators and well suited for systems where extremely low dropout voltages is critical. They feature full protection against overcurrent faults, reversed input polarity, reversed lead insertion, over temperature operation and positive and negative transient voltage spikes. They are available in a number of hermetic package styles where critical environmental systems demand high performance.

ABSOLUTE MAXIMUM RATINGS @ 25°C

Operating Input Voltage 30 Volts
 Output Current - Package Dependent. See Below
 Operating Temperature Range -55 to + 125 °C
 Storage Temperature Range. -65 to + 150 °C
 Lead Temperature, Soldering for 10 seconds 300°C
 Junction Temperature + 150 °C

ORDERING INFORMATION - OM7670/71 SERIES		
PART NUMBER	OUTPUT CURRENT (AMP)	PACKAGE
OM7670NK	1.5	TO-204AA
OM7671NK	3.0	TO-204AA
OM7670NM	1.3	Surface Mount - SMD1
OM7671NM	2.6	Surface Mount - SMD1
OM7670SM	1.3	Surface Mount - SMD3
OM7671SM	2.6	Surface Mount - SMD3
OM7670ST	1.3	TO-257AA Isolated Tab
OM7671ST	2.6	TO-257AA Isolated Tab
OM7670N2	.75	LCC-28

THERMAL RESISTANCE		MAX POWER - WATTS	
Package Style	Junction to Case	OM7670 Series	OM7671 Series
LCC-28	20°C/Watt	5	----
TO-257AA, SMD-1 and SMD-3	4.2°C/Watt	13	26
TO-204AA (TO-3)	3.0°C/Watt	15	30

Table 1

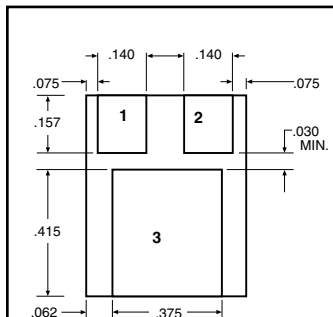
ELECTRICAL CHARACTERISTICS $-55^{\circ}\text{C} \leq T_A \leq 125^{\circ}\text{C}$ (unless otherwise specified)

Parameter	Symbol	Test Conditions	Min.	Max.	Unit
Output Voltage	V_{OUT}	$V_{\text{IN}} = 5.0\text{ V}$, $I_{\text{OUT}} = 10\text{ mA}$ $T_A = 25^{\circ}\text{C}$	3.267	3.333	V
		$4.75\text{ V} \leq V_{\text{IN}} \leq 18\text{ V}$, $10\text{ mA} \leq I_{\text{OUT}} \leq I_{\text{LMIN}}$	• 3.325	3.365	V
Line Regulation (Note 1)	$\frac{\Delta V_{\text{OUT}}}{\Delta V_{\text{IN}}}$	$4.5\text{ V} \leq V_{\text{IN}} \leq 18\text{ V}$, $I_{\text{OUT}} = 0\text{ A}$	•	12	mV
Load Regulation (Note 1)	$\frac{\Delta V_{\text{OUT}}}{\Delta I_{\text{OUT}}}$	$V_{\text{IN}} = 5.0\text{ V}$, $0\text{ A} \leq I_{\text{OUT}} \leq I_{\text{LMIN}}$ $T_A = 25^{\circ}\text{C}$		15	mV
		$V_{\text{IN}} = 5.0\text{ V}$, $0\text{ A} \leq I_{\text{OUT}} \leq I_{\text{LMIN}}$	•	25	mV
Dropout Voltage	V_{DO}	$I_{\text{OUT}} = I_{\text{LMIN}}$, $\Delta V_{\text{REF}} = 1\%$	•	1.5	V
Thermal Regulation	-	30 ms pulse, $T_A = +25^{\circ}\text{C}$		0.04	%/W
Ripple Rejection	$\frac{\Delta V_{\text{IN}}}{\Delta V_{\text{OUT}}}$	$f = 120\text{ Hz}$, $C_{\text{Adj}} = 25\text{ }\mu\text{F}$, $C_{\text{OUT}} = 25\text{ }\mu\text{F}$ (tantalum), $I_{\text{OUT}} = I_{\text{LMIN}}$, $V_{\text{IN}} = 6.3\text{ V}$	• 60		dB
Quiescent Current	I_{Q}	$V_{\text{IN}} = 18\text{ V}$	•	10	mA
Current Limit	I_{L}	OM7670NK, $V_{\text{IN}} = 18\text{ V}$	• 1.5	3.5	A
		OM7670NM/ST/SM, $V_{\text{IN}} = 18\text{ V}$	• 1.3	2.5	
		OM7670N2, $V_{\text{IN}} = 18\text{ V}$	• .75	1.50	
		OM7671NK, $V_{\text{IN}} = 18\text{ V}$	• 3.0	5.0	
		OM7671NM/ST/SM, $V_{\text{IN}} = 18\text{ V}$	• 2.6	4.5	
		$V_{\text{IN}} = 28\text{ V}$, All Types	• .050	--	A
Temperature Stability (Note 2)	$\frac{\Delta V_{\text{OUT}}}{\Delta T}$	$-55^{\circ}\text{C} \leq T_J \leq +125^{\circ}\text{C}$		1.55	%
Long Term Stability (Note 2)	$\frac{\Delta V_{\text{OUT}}}{\Delta T}$	$T_A = +125^{\circ}\text{C}$, $t = 1000\text{ hrs}$		1.0	%

Notes:

- Line and Load Regulation are measured at a constant junction temperature using a low duty cycle pulse technique. Although power dissipation is internally limited, regulation is guaranteed up to the maximum power dissipation of 15W for the OM7670 series and 30 watts for the OM7671 series (See Table 1). Power dissipation is determined by the input/output differential voltage and the output current. Guaranteed maximum power dissipation will not be available over the full input/output voltage range.
- Guaranteed by design, characterization or correlation to other tested parameters.
- The • denotes the specifications which apply over the full operating temperature range.

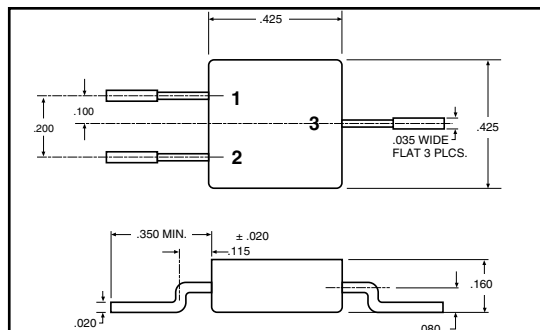
MECHANICAL OUTLINES



OM7670NM/OM7671NM

Pin Out

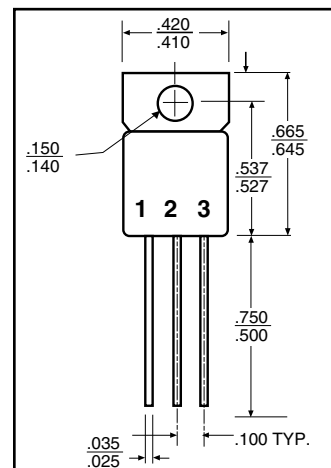
Pin 1	Vin
Pin 2	Ground
Pin 3	Vout



OM7670SM/OM7671SM

Pin Out

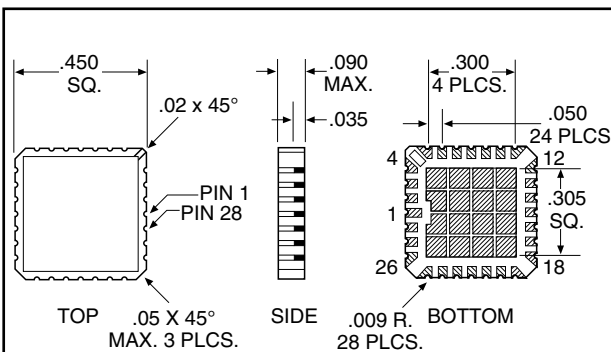
Pin 1	Ground
Pin 2	Vin
Pin 3	Vout



OM7670ST/OM7671ST

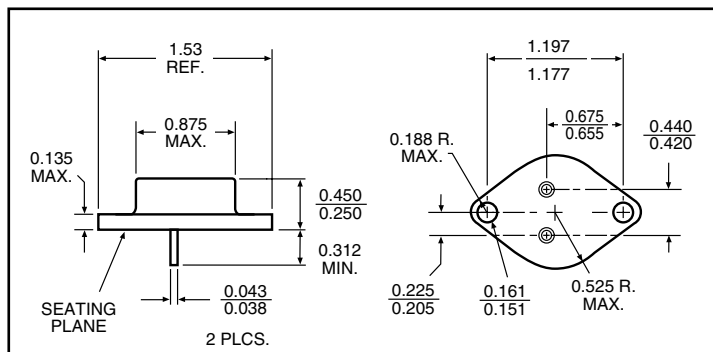
Pin Out

Pin 1	Ground
Pin 2	Vout
Pin 3	Vin



OM7670N2

Pin 1 Input	Pin 11 Output	Pin 21 Input
Pin 2 Adjust	Pin 12 Output	Pin 22 Input
Pin 3 Adjust	Pin 13 Adjust	Pin 23 Input
Pin 4 Output	Pin 14 Adjust	Pin 24 Input
Pin 5 Output	Pin 15 Input	Pin 25 Input
Pin 6 Output	Pin 16 Input	Pin 26 Input
Pin 7 Output	Pin 17 Input	Pin 27 Input
Pin 8 Output	Pin 18 Input	Pin 28 Input
Pin 9 Output	Pin 19 Input	
Pin 10 Output	Pin 20 Input	



OM7670NK/OM7671NK

Pin 1 -	Input
Pin 2 -	Output
Case -	Adjust

For more information on any of these mechanical outlines, please visit our web site at:
www.omnirel.com