

Micropower Buck Regulator with Integrated Boost and Catch Diodes

FEATURES

- **Low Quiescent Current:** 35 μ A at 12V_{IN} to 3.3V_{OUT}
- **Integrated Boost and Catch Diodes**
- **Input Range:** 4V to 40V
- **3.3V at 250mA from 4V to 40V Input**
- **5V at 250mA from 5.7V to 40V Input**
- **Low Output Ripple:** <10mV
- <1 μ A in Shutdown Mode
- **Output Voltage:** 1.25V to 16V
- **Hysteretic Mode Control**
 - Low Ripple Burst Mode[®] Operation at Light Loads
 - Continuous Operation at Higher Loads
- **Solution Size as Small as 50mm²**
- **Low Profile (0.75mm) 2mm × 3mm Thermally Enhanced 8-Lead DFN Package**

APPLICATIONS

- Automotive Battery Regulation
- Power for Portable Products
- Distributed Supply Regulation
- Industrial Supplies
- Wall Transformer Regulation

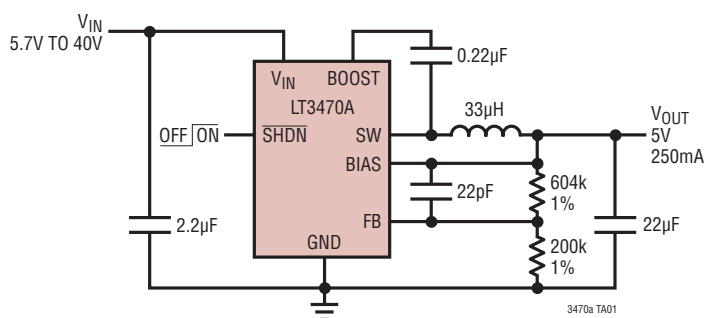
DESCRIPTION

The LT[®]3470A is a micropower step-down DC/DC converter that integrates a 440mA power switch, catch diode and boost diode into low profile 2mm × 3mm DFN package. The LT3470A combines Burst Mode and continuous operation to allow the use of tiny inductor and capacitors while providing a low ripple output to loads of up to 250mA.

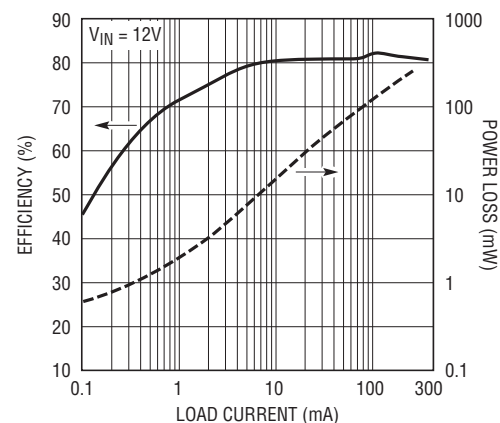
With its wide input range of 4V to 40V, the LT3470A can regulate a wide variety of power sources, from 2-cell Li-Ion batteries to unregulated wall transformers and lead-acid batteries. Quiescent current in regulation is just 35 μ A in a typical application while a zero current shutdown mode disconnects the load from the input source, simplifying power management in battery-powered systems. Fast current limiting and hysteretic control protects the LT3470A and external components against shorted outputs, even at 40V input. The LT3470A has higher output current and improved start-up and dropout performance compared to the LT3470.

LT, LT, LTC and LTM are registered trademarks of Linear Technology Corporation. Burst Mode is a registered trademark of Linear Technology Corporation. All other trademarks are the property of their respective owners.

TYPICAL APPLICATION



Efficiency and Power Loss vs Load Current



3470a TA02

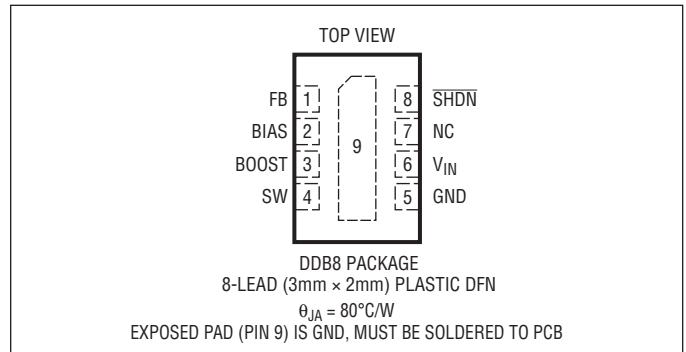
LT3470A

ABSOLUTE MAXIMUM RATINGS

(Note 1)

V_{IN} , SHDN Voltage	40V
BOOST Pin Voltage	47V
BOOST Pin Above SW Pin.....	25V
FB Voltage.....	5V
BIAS Voltage	15V
SW Voltage	V_{IN}
Maximum Junction Temperature	
LT3470AE, LT3470AI.....	125°C
Operating Temperature Range (Note 2)	
LT3470AE.....	-40°C to 85°C
LT3470AI.....	-40°C to 125°C
Storage Temperature Range.....	-65°C to 150°C
Lead Temperature (Soldering, 10 sec)	300°C

PIN CONFIGURATION



ORDER INFORMATION

LEAD FREE FINISH	TAPE AND REEL	PART MARKING*	PACKAGE DESCRIPTION	TEMPERATURE RANGE
LT3470AEDDB#PBF	LT3470AEDDB#TRPBF	LDPR	8-Lead (3mm × 2mm) Plastic DFN	-40°C to 85°C
LT3470AIDDB#PBF	LT3470AIDDB#TRPBF	LDPR	8-Lead (3mm × 2mm) Plastic DFN	-40°C to 125°C

Consult LTC Marketing for parts specified with wider operating temperature ranges. *The temperature grade is identified by a label on the shipping container. Consult LTC Marketing for information on non-standard lead based finish parts.

For more information on lead free part marking, go to: <http://www.linear.com/leadfree/>

For more information on tape and reel specifications, go to: <http://www.linear.com/tapeandreeel/>

ELECTRICAL CHARACTERISTICS

The ● denotes the specifications which apply over the full operating temperature range, otherwise specifications are at $T_A = 25^\circ\text{C}$. $V_{IN} = 10\text{V}$, $V_{SHDN} = 10\text{V}$, $V_{BOOST} = 15\text{V}$, $V_{BIAS} = 3\text{V}$ unless otherwise specified.

PARAMETER	CONDITIONS		MIN	TYP	MAX	UNITS
Minimum Input Voltage		●			4	V
Quiescent Current from V_{IN}	$V_{SHDN} = 0.2\text{V}$ $V_{BIAS} = 3\text{V}$, Not Switching $V_{BIAS} = 0\text{V}$, Not Switching	●		0.1 10 40	0.5 18 55	μA μA μA
Quiescent Current from Bias	$V_{SHDN} = 0.2\text{V}$ $V_{BIAS} = 3\text{V}$, Not Switching $V_{BIAS} = 0\text{V}$, Not Switching	●		0.1 30 0.1	0.5 60 1.5	μA μA μA
FB Comparator Trip Voltage	V_{FB} Falling	●	1.228	1.250	1.265	V
FB Pin Bias Current (Note 3)	$V_{FB} = 1\text{V}$	●		35 35	80 150	nA nA
FB Voltage Line Regulation	$4\text{V} < V_{IN} < 40\text{V}$			0.0006	0.02	%/V
Minimum Switch Off-Time (Note 5)				500		ns
Maximum Duty Cycle		●	90	95		%
Switch Leakage Current				0.7	1.5	μA
Switch V_{CESAT}	$I_{SW} = 100\text{mA}$			150		mV
Switch V_{CESAT} Without Boost	$V_{BOOST} = V_{SW}$			0.9	1.2	V
Switch Top Current Limit	$V_{FB} = 0\text{V}$		320	440	560	mA
Switch Bottom Current Limit	$V_{FB} = 0\text{V}$			280		mA
Catch Schottky Drop	$I_{SW} = 100\text{mA}$			600		mV
Catch Schottky Reverse Leakage	$V_{SW} = 10\text{V}$			0.2	2	μA
Boost Schottky Drop	$I_{BIAS} = 50\text{mA}$			690	775	mV
Boost Schottky Reverse Leakage	$V_{SW} = 10\text{V}$, $V_{BIAS} = 0\text{V}$			0.2	2	μA
Minimum Boost Voltage (Note 4)		●		1.7	2.2	V
BOOST Pin Current	$I_{SW} = 100\text{mA}$			2.3	5	mA
Bias Pin Preload	$V_{BOOST} = 10\text{V}$			50		mA
$\overline{\text{SHDN}}$ Pin Current	$V_{SHDN} = 2.5\text{V}$			1	5	μA
$\overline{\text{SHDN}}$ Input Voltage High			2			V
$\overline{\text{SHDN}}$ Input Voltage Low					0.2	V

Note 1: Stresses beyond those listed under Absolute Maximum Ratings may cause permanent damage to the device. Exposure to any Absolute Maximum Rating condition for extended periods may affect device reliability and lifetime.

Note 2: The LT3470AE is guaranteed to meet performance specifications from 0°C to 85°C . Specifications over the -40°C to 85°C operating temperature range are assured by design, characterization and correlation

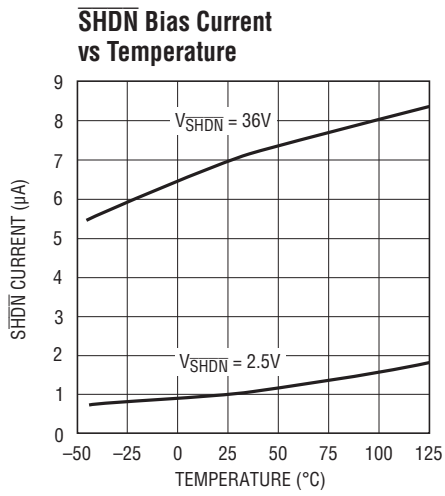
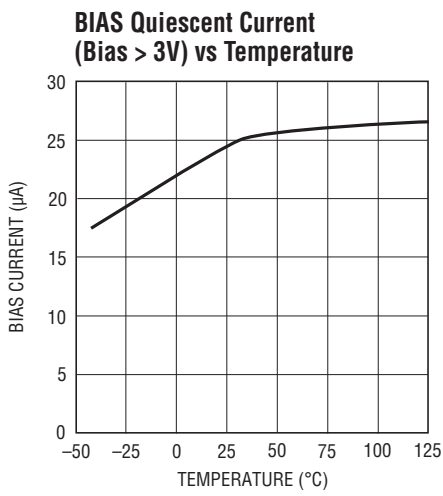
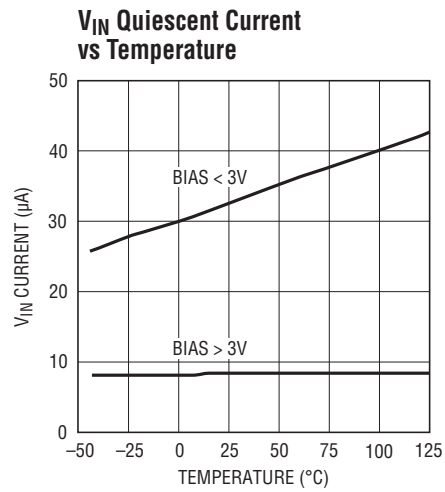
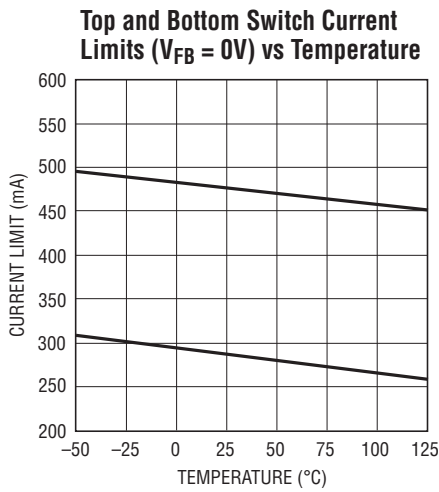
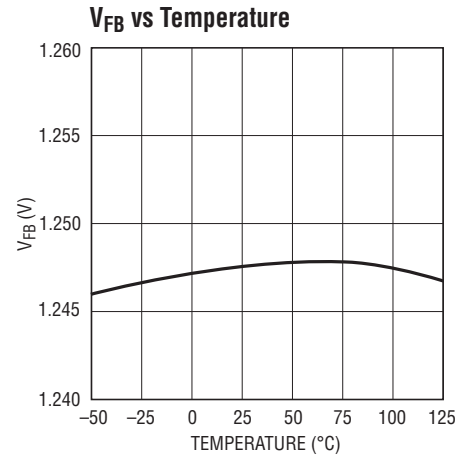
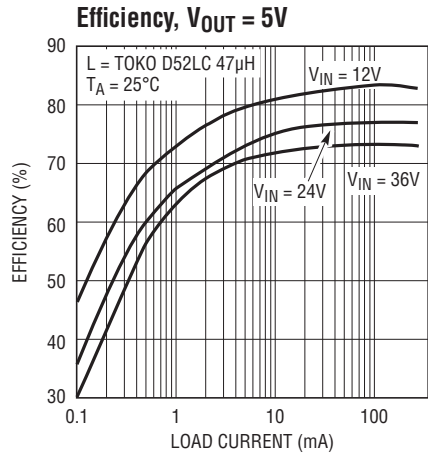
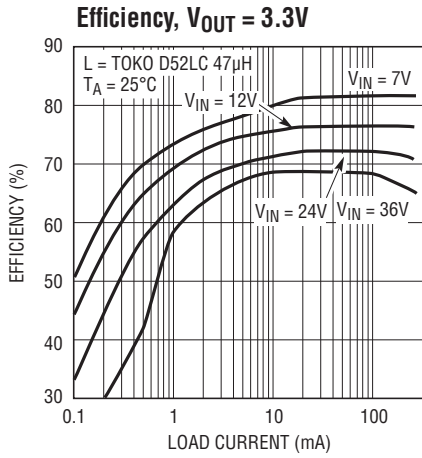
with statistical process controls. The LT3470AI specifications are guaranteed over the -40°C to 125°C temperature range.

Note 3: Bias current flows out of the FB pin.

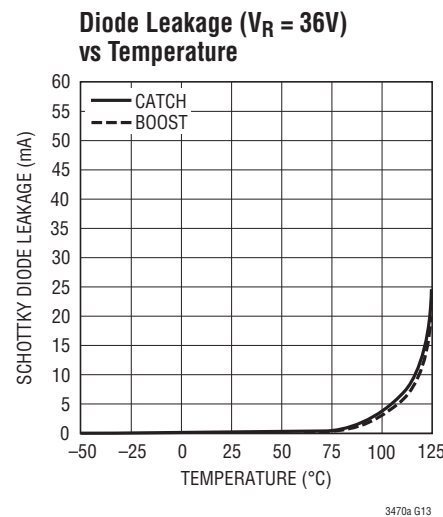
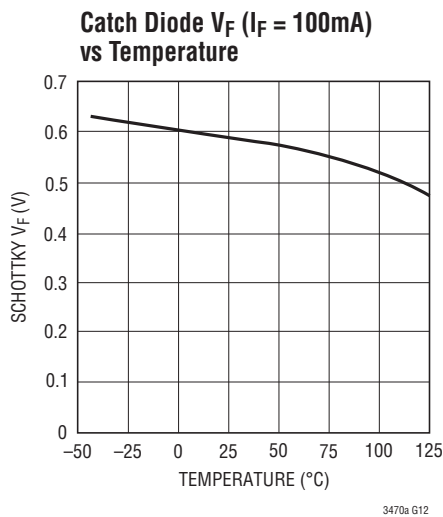
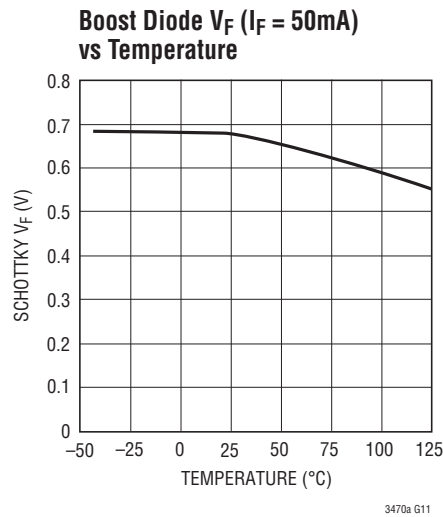
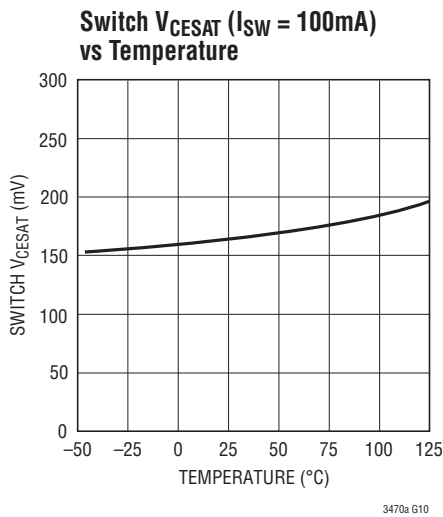
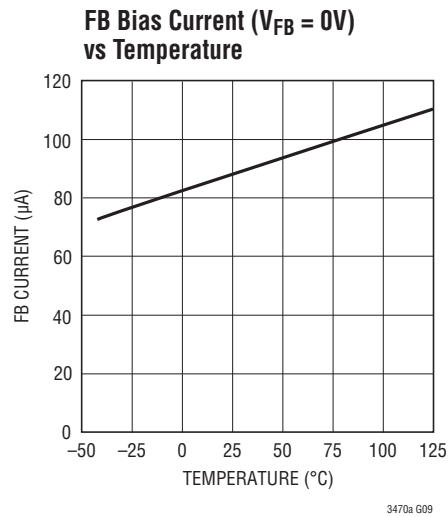
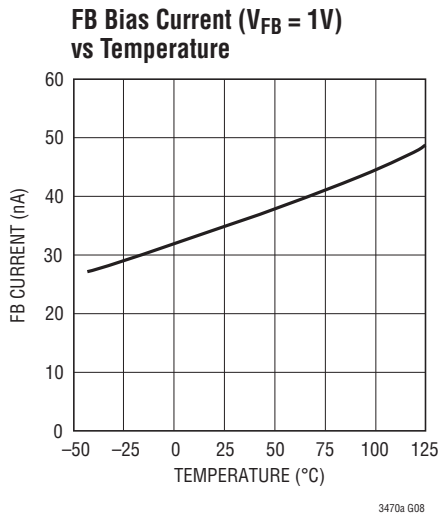
Note 4: This is the minimum voltage across the boost capacitor needed to guarantee full saturation of the switch.

Note 5: This parameter is assured by design and correlation with statistical process controls.

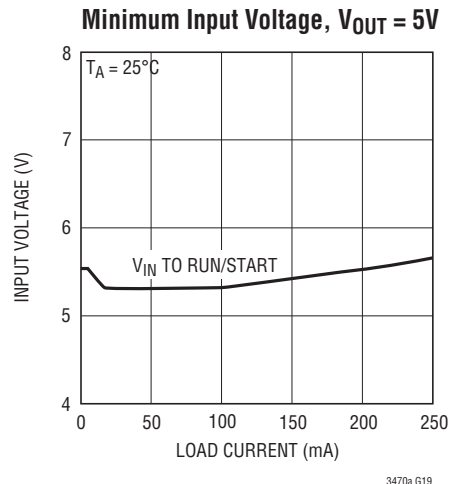
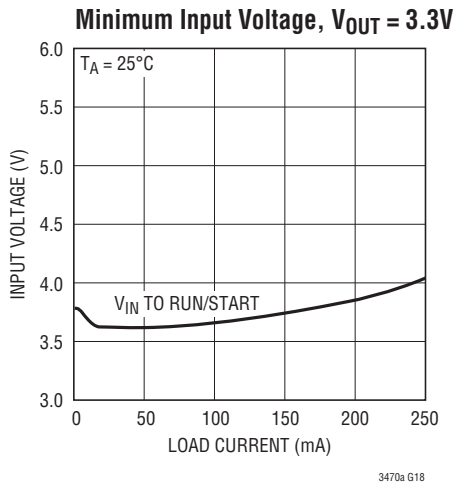
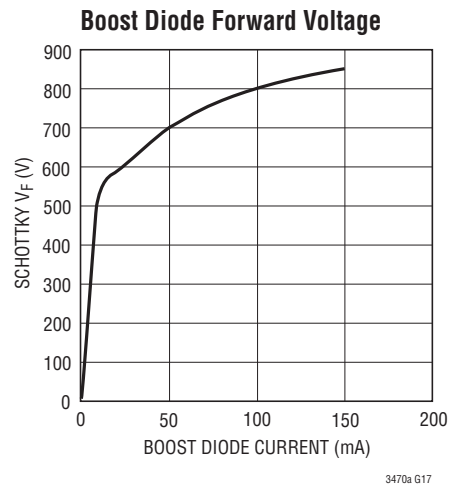
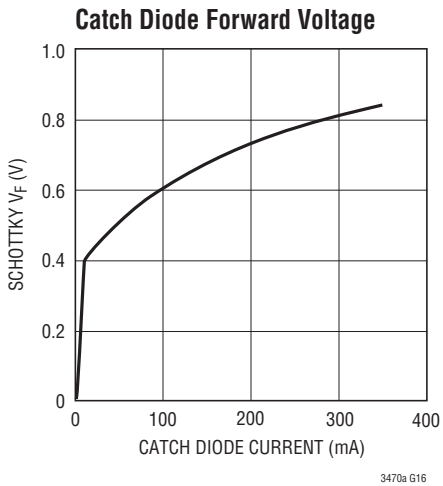
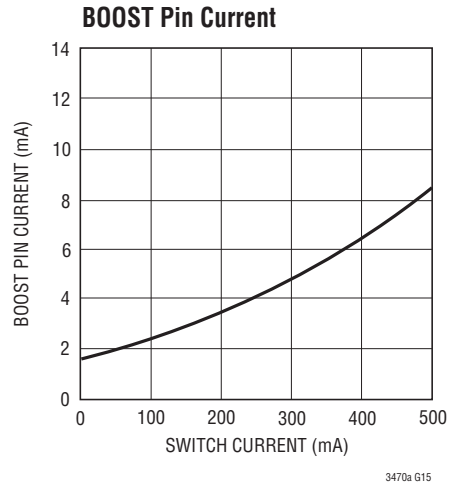
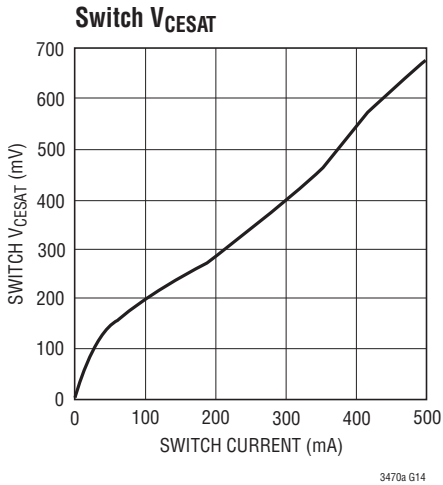
TYPICAL PERFORMANCE CHARACTERISTICS $T_A = 25^\circ\text{C}$ unless otherwise noted.



TYPICAL PERFORMANCE CHARACTERISTICS $T_A = 25^\circ\text{C}$ unless otherwise noted.



TYPICAL PERFORMANCE CHARACTERISTICS $T_A = 25^\circ\text{C}$ unless otherwise noted.



PIN FUNCTIONS

SHDN (Pin 8): The $\overline{\text{SHDN}}$ pin is used to put the LT3470A in shutdown mode. Tie to ground to shut down the LT3470A. Apply 2V or more for normal operation. If the shutdown feature is not used, tie this pin to the V_{IN} pin.

NC (Pin 7): This pin can be left floating, connected to V_{IN} , or tied to GND.

V_{IN} (Pin 6): The V_{IN} pin supplies current to the LT3470A's internal regulator and to the internal power switch. This pin must be locally bypassed.

GND (Pin 5): Tie the GND pin to a local ground plane below the LT3470A and the circuit components. Return the feedback divider to this pin.

SW (Pin 4): The SW pin is the output of the internal power switch. Connect this pin to the inductor, catch diode and boost capacitor.

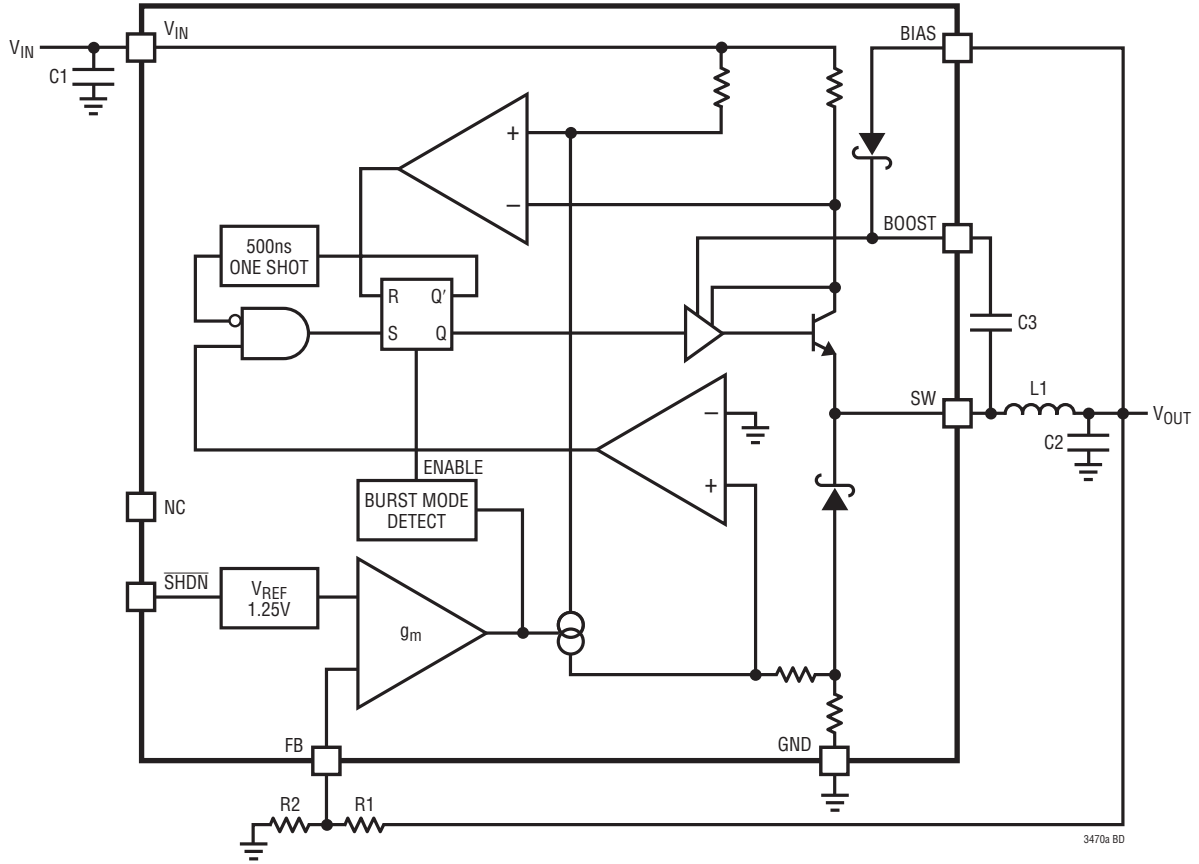
BOOST (Pin 3): The BOOST pin is used to provide a drive voltage, which is higher than the input voltage, to the internal bipolar NPN power switch.

BIAS (Pin 2): The BIAS pin connects to the internal boost Schottky diode and to the internal regulator. Tie to V_{OUT} when $V_{\text{OUT}} > 2.5\text{V}$ or to V_{IN} otherwise. When $V_{\text{BIAS}} > 3\text{V}$ the BIAS pin will supply current to the internal regulator.

FB (Pin 1): The LT3470A regulates its feedback pin to 1.25V. Connect the feedback resistor divider tap to this pin. Set the output voltage according to $V_{\text{OUT}} = 1.25\text{V} (1 + R1/R2)$ or $R1 = R2 (V_{\text{OUT}}/1.25 - 1)$.

Exposed Pad (Pin 9): Ground. Must be soldered to PCB.

BLOCK DIAGRAM



OPERATION

The LT3470A uses a hysteretic control scheme in conjunction with Burst Mode operation to provide low output ripple and low quiescent current while using a tiny inductor and capacitors.

Operation can best be understood by studying the Block Diagram. An error amplifier measures the output voltage through an external resistor divider tied to the FB pin. If the FB voltage is higher than V_{REF} , the error amplifier will shut off all the high power circuitry, leaving the LT3470A in its micropower state. As the FB voltage falls, the error amplifier will enable the power section, causing the chip to begin switching, thus delivering charge to the output capacitor. If the load is light the part will alternate between micropower and switching states to keep the output in regulation (See Figure 1a). At higher loads the part will switch continuously while the error amp servos the top and bottom current limits to regulate the FB pin voltage to 1.25V (See Figure 1b).

The switching action is controlled by an RS latch and two current comparators as follows: The switch turns on, and the current through it ramps up until the top current

comparator trips and resets the latch causing the switch to turn off. While the switch is off, the inductor current ramps down through the catch diode. When both the bottom current comparator trips and the minimum off-time one-shot expires, the latch turns the switch back on thus completing a full cycle. The hysteretic action of this control scheme results in a switching frequency that depends on inductor value, input and output voltage. Since the switch only turns on when the catch diode current falls below threshold, the part will automatically switch slower to keep inductor current under control during start-up or short-circuit conditions.

The switch driver operates from either the input or from the BOOST pin. An external capacitor and internal diode is used to generate a voltage at the BOOST pin that is higher than the input supply. This allows the driver to fully saturate the internal bipolar NPN power switch for efficient operation.

If the \overline{SHDN} pin is grounded, all internal circuits are turned off and V_{IN} current reduces to the device leakage current, typically 100nA.

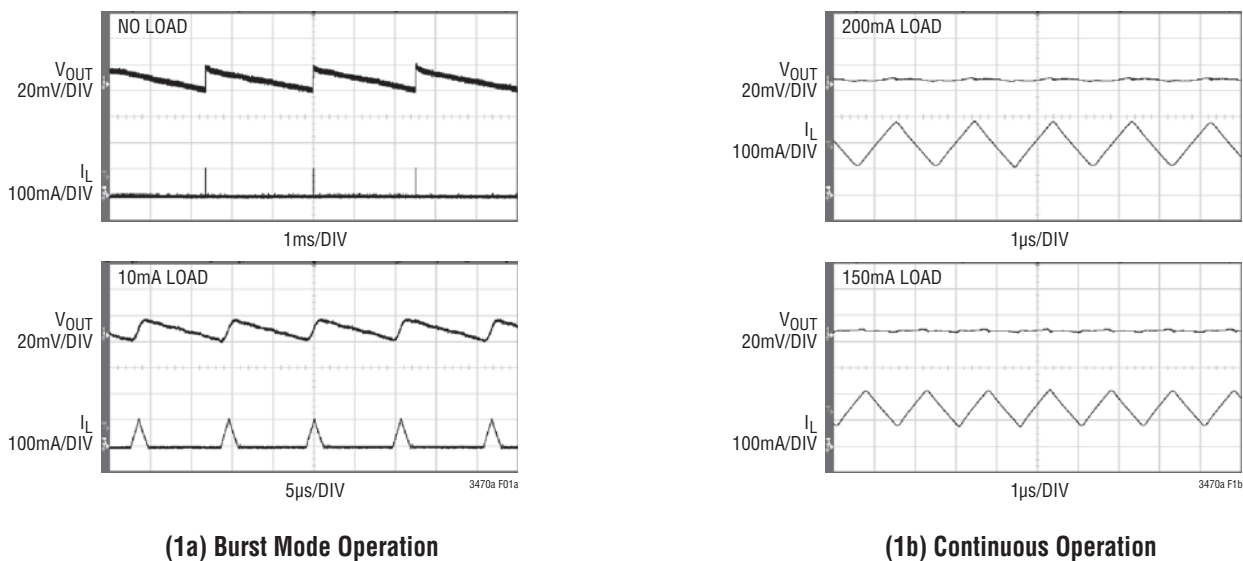


Figure 1. Operating Waveforms of the LT3470A Converting 12V to 5V Using a 33μH Inductor and 10μF Output Capacitor

APPLICATIONS INFORMATION

Input Voltage Range

The minimum input voltage required to generate a particular output voltage in an LT3470A application is limited by either its 4V undervoltage lockout or by its maximum duty cycle. The duty cycle is the fraction of time that the internal switch is on and is determined by the input and output voltages:

$$DC = \frac{V_{OUT} + V_D}{V_{IN} - V_{SW} + V_D}$$

where V_D is the forward voltage drop of the catch diode (~0.6V) and V_{SW} is the voltage drop of the internal switch at maximum load (~0.4V). Given $DC_{MAX} = 0.90$, this leads to a minimum input voltage of:

$$V_{IN(MIN)} = \left(\frac{V_{OUT} + V_D}{DC_{MAX}} \right) + V_{SW} - V_D$$

This analysis assumes the part has started up such that the capacitor tied between the BOOST and SW pins is charged to more than 2V. For proper start-up, the minimum input voltage is limited by the boost circuit as detailed in the section BOOST Pin Considerations.

The maximum input voltage is limited by the absolute maximum V_{IN} rating of 40V, provided an inductor of sufficient value is used.

Inductor Selection

The switching action of the LT3470A during continuous operation produces a square wave at the SW pin that results in a triangle wave of current in the inductor. The hysteretic mode control regulates the top and bottom current limits (see Electrical Characteristics) such that the average inductor current equals the load current. For safe operation, it must be noted that the LT3470A cannot turn the switch on for less than ~150ns. If the inductor is small and the input voltage is high, the current through the switch may exceed safe operating limit before the LT3470A is able to turn off. To prevent this from happening, the following equation provides a minimum inductor value:

$$L_{MIN} = \frac{V_{IN(MAX)} \cdot t_{ON-TIME(MIN)}}{I_{MAX}}$$

where $V_{IN(MAX)}$ is the maximum input voltage for the application, $t_{ON-TIME(MIN)}$ is ~150ns and I_{MAX} is the maximum allowable increase in switch current during a minimum switch on-time (150mA). While this equation provides a safe inductor value, the resulting application circuit may switch at too high a frequency to yield good efficiency. It is advised that switching frequency be below 1.2MHz during normal operation:

$$f = \frac{(1-DC)(V_D + V_{OUT})}{L \cdot \Delta I_L}$$

where f is the switching frequency, ΔI_L is the ripple current in the inductor (~200mA), V_D is the forward voltage drop of the catch diode, and V_{OUT} is the desired output voltage.

If the application circuit is intended to operate at high duty cycles (V_{IN} close to V_{OUT}), it is important to look at the calculated value of the switch off-time:

$$t_{OFF-TIME} = \frac{1-DC}{f}$$

The calculated $t_{OFF-TIME}$ should be more than LT3470A's minimum $t_{OFF-TIME}$ (See Electrical Characteristics), so the application circuit is capable of delivering full rated output current. If the full output current of 250mA is not required, the calculated $t_{OFF-TIME}$ can be made less than minimum $t_{OFF-TIME}$ possibly allowing the use of a smaller inductor. See Table 1 for an inductor value selection guide.

Table 1. Recommended Inductors for Loads up to 250mA

V_{OUT}	V_{IN} Up to 16V	V_{IN} Up to 40V
2.5V	10 μ H	33 μ H
3.3V	10 μ H	33 μ H
5V	15 μ H	33 μ H
12V	33 μ H	47 μ H

Choose an inductor that is intended for power applications. Table 2 lists several manufacturers and inductor series.

For robust output short-circuit protection at high V_{IN} (up to 40V) use at least a 33 μ H inductor with a minimum 450mA saturation current. If short-circuit performance is not required, inductors with I_{SAT} of 300mA or more may

APPLICATIONS INFORMATION

Table 2. Inductor Vendors

VENDOR	URL	PART SERIES	INDUCTANCE RANGE (μH)	SIZE (mm)
Coilcraft	www.coilcraft.com	DO1605	10 to 47	1.8 × 5.4 × 4.2
		ME3220	10 to 47	2.0 × 3.2 × 2.5
		DO3314	10 to 47	1.4 × 3.3 × 3.3
Sumida	www.sumida.com	CR32	10 to 47	3.0 × 3.8 × 4.1
		CDRH3D16/HP	10 to 33	1.8 × 4.0 × 4.0
		CDRH3D28	10 to 47	3.0 × 4.0 × 4.0
		CDRH2D18/HP	10 to 15	2.0 × 3.2 × 3.2
Toko	www.tokoam.com	DB320C	10 to 27	2.0 × 3.8 × 3.8
		D52LC	10 to 47	2.0 × 5.0 × 5.0
Würth Elektronik	www.we-online.com	WE-PD2 Typ S	10 to 47	3.2 × 4.0 × 4.5
		WE-TPC Typ S	10 to 22	1.6 × 3.8 × 3.8
Coiltronics	www.cooperet.com	SD10	10 to 47	1.0 × 5.0 × 5.0
Murata	www.murata.com	LQH43C	10 to 47	2.6 × 3.2 × 4.5
		LQH32C	10 to 15	1.6 × 2.5 × 3.2

be used. It is important to note that inductor saturation current is reduced at high temperatures—see inductor vendors for more information.

Input Capacitor

Step-down regulators draw current from the input supply in pulses with very fast rise and fall times. The input capacitor is required to reduce the resulting voltage ripple at the V_{IN} pin of the LT3470A and to force this switching current into a tight local loop, minimizing EMI. The input capacitor must have low impedance at the switching frequency to do this effectively. A 1μF to 2.2μF ceramic capacitor satisfies these requirements.

If the input source impedance is high, a larger value capacitor may be required to keep input ripple low. In this case, an electrolytic of 10μF or more in parallel with a 1μF ceramic is a good combination. Be aware that the input capacitor is subject to large surge currents if the LT3470A circuit is connected to a low impedance supply, and that some electrolytic capacitors (in particular tantalum) must be specified for such use.

Output Capacitor and Output Ripple

The output capacitor filters the inductor's ripple current and stores energy to satisfy the load current when the LT3470A is quiescent. In order to keep output voltage ripple low, the impedance of the capacitor must be low

at the LT3470A's switching frequency. The capacitor's equivalent series resistance (ESR) determines this impedance. Choose one with low ESR intended for use in switching regulators. The contribution to ripple voltage due to the ESR is approximately $I_{LIM} \cdot ESR$. ESR should be less than ~150mΩ. The value of the output capacitor must be large enough to accept the energy stored in the inductor without a large change in output voltage. Setting this voltage step equal to 1% of the output voltage, the output capacitor must be:

$$C_{OUT} > 50 \cdot L \cdot \left(\frac{I_{LIM}}{V_{OUT}} \right)^2$$

Where I_{LIM} is the top current limit with $V_{FB} = 0V$ (see Electrical Characteristics). For example, an LT3470A producing 3.3V with $L = 33\mu H$ requires 22μF. The calculated value can be relaxed if small circuit size is more important than low output ripple.

Sanyo's POSCAP series in B-case and provides very good performance in a small package for the LT3470A. Similar performance in traditional tantalum capacitors requires a larger package (C-case). With a high quality capacitor filtering the ripple current from the inductor, the output voltage ripple is determined by the delay in the LT3470A's feedback comparator. This ripple can be reduced further by adding a small (typically 22pF) phase lead capacitor between the output and the feedback pin.

APPLICATIONS INFORMATION

Ceramic Capacitors

Ceramic capacitors are small, robust and have very low ESR. However, ceramic capacitors can cause problems when used with the LT3470A. Not all ceramic capacitors are suitable. X5R and X7R types are stable over temperature and applied voltage and give dependable service. Other types, including Y5V and Z5U have very large temperature and voltage coefficients of capacitance. In an application circuit they may have only a small fraction of their nominal capacitance resulting in much higher output voltage ripple than expected.

Ceramic capacitors are piezoelectric. The LT3470A's switching frequency depends on the load current, and at light loads the LT3470A can excite the ceramic capacitor at audio frequencies, generating audible noise. Since the LT3470A operates at a lower current limit during Burst Mode operation, the noise is typically very quiet to a casual ear. If this audible noise is unacceptable, use a high performance electrolytic capacitor at the output. The input capacitor can be a parallel combination of a 2.2µF ceramic capacitor and a low cost electrolytic capacitor.

A final precaution regarding ceramic capacitors concerns the maximum input voltage rating of the LT3470A. A ceramic input capacitor combined with trace or cable inductance forms a high quality (under damped) tank circuit. If the LT3470A circuit is plugged into a live supply, the input voltage can ring to twice its nominal value, possibly exceeding the LT3470A's rating. This situation is easily avoided; see the Hot-Plugging Safely section.

BOOST and BIAS Pin Considerations

Capacitor C3 and the internal boost Schottky diode (see Block Diagram) are used to generate a boost voltage that is higher than the input voltage. In most cases a 0.22µF capacitor will work well. Figure 2 shows two ways to arrange the boost circuit. The BOOST pin must be more than 2.5V above the SW pin for best efficiency. For outputs of 3.3V and above, the standard circuit (Figure 2a) is best. For outputs between 2.5V and 3V, use a 0.47µF. For lower output voltages the boost diode can be tied to the input

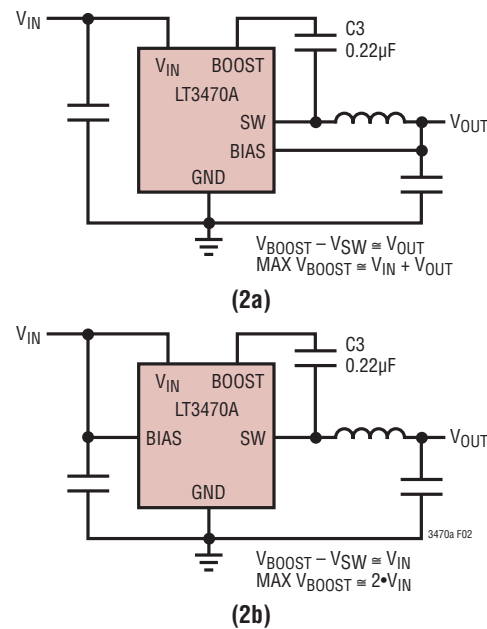


Figure 2. Two Circuits for Generating the Boost Voltage

Table 2. Capacitor Vendors

Vendor	Phone	URL	Part Series	Comments
Panasonic	(714) 373-7366	www.panasonic.com	Ceramic, Polymer, Tantalum	EEF Series
Kemet	(864) 963-6300	www.kemet.com	Ceramic, Tantalum	T494, T495
Sanyo	(408) 749-9714	www.sanyovideo.com	Ceramic, Polymer, Tantalum	POSCAP
Murata	(404) 436-1300	www.murata.com	Ceramic	
AVX		www.avxcorp.com	Ceramic, Tantalum	TPS Series
Taiyo Yuden	(864) 963-6300	www.taiyo-yuden.com	Ceramic	

APPLICATIONS INFORMATION

(Figure 2b). The circuit in Figure 2a is more efficient because the BOOST pin current and BIAS pin quiescent current comes from a lower voltage source. You must also be sure that the maximum voltage ratings of the BOOST and BIAS pins are not exceeded.

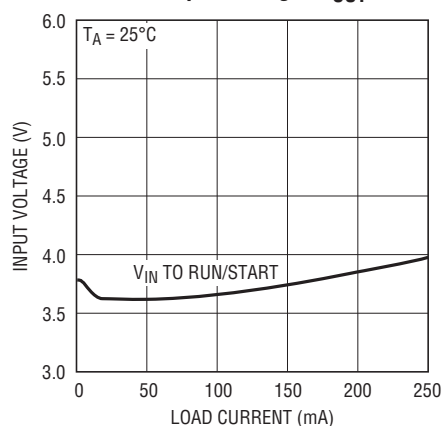
The LT3470A monitors the boost capacitor for sufficient voltage such that the switch is allowed to fully saturate. When boost voltage falls below adequate levels (1.8V typical) the switch will operate with about 1V of drop, and an internal current source will begin to pull 50mA (typical) from the BIAS pin which is typically connected to the output. This current forces the LT3470A to switch more often and with more inductor current, which recharges

the boost capacitor. When the boost capacitor voltage is above 1.8V (typical) the current source turns off, and the part may enter BurstMode. This cycle will repeat anytime there is an undervoltage condition on the boost capacitor. See Figure 3 for minimum input voltage for outputs of 3.3V and 5V.

Shorted Input Protection

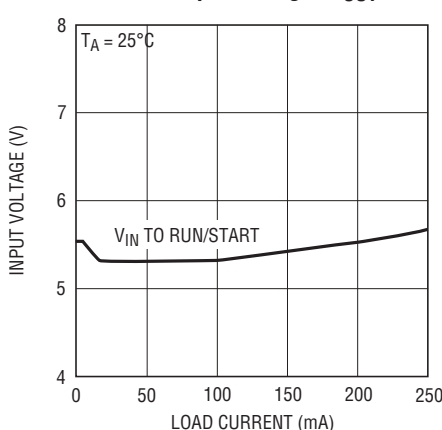
If the inductor is chosen so that it won't saturate excessively at the top switch current limit maximum of 525mA, an LT3470A buck regulator will tolerate a shorted output even if $V_{IN} = 40V$. There is another situation to consider in systems where the output will be held high when the input to the LT3470A is absent. This may occur in battery charging applications or in battery backup systems where a battery or some other supply is diode OR-ed with the LT3470A's output. If the V_{IN} pin is allowed to float and the \overline{SHDN} pin is held high (either by a logic signal or because it is tied to V_{IN}), then the LT3470A's internal circuitry will pull its quiescent current through its SW pin. This is fine if your system can tolerate a few mA in this state. If you ground the \overline{SHDN} pin, the SW pin current will drop to essentially zero. However, if the V_{IN} pin is grounded while the output is held high, then parasitic diodes inside the LT3470A can pull large currents from the output through the SW pin and the V_{IN} pin. Figure 4 shows a circuit that will run only when the input voltage is present and that protects against a shorted or reversed input.

Minimum Input Voltage, $V_{OUT} = 3.3V$



3470a F03a

Minimum Input Voltage, $V_{OUT} = 5V$



3470a F03b

Figure 3. The Minimum Input Voltage Depends on Output Voltage, Load Current and Boost Circuit

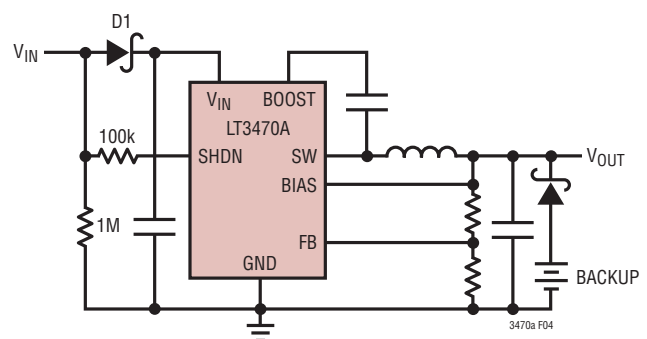


Figure 4. Diode D1 Prevents a Shorted Input from Discharging a Backup Battery Tied to the Output; It Also Protects the Circuit from a Reversed Input. The LT3470A Runs Only When the Input is Present Hot-Plugging Safely

APPLICATIONS INFORMATION

PCB Layout

For proper operation and minimum EMI, care must be taken during printed circuit board layout. Note that large, switched currents flow in the power switch, the internal catch diode and the input capacitor. The loop formed by these components should be as small as possible. Furthermore, the system ground should be tied to the regulator ground in only one place; this prevents the switched current from injecting noise into the system ground. These components, along with the inductor and output capacitor, should be placed on the same side of the circuit board, and their connections should be made on that layer. Place a local, unbroken ground plane below these components, and tie this ground plane to system ground at one location,

ideally at the ground terminal of the output capacitor C2. Additionally, the SW and BOOST nodes should be kept as small as possible. Unshielded inductors can induce noise in the feedback path resulting in instability and increased output ripple. To avoid this problem, use vias to route the V_{OUT} trace under the ground plane to the feedback divider (as shown in Figure 5). Finally, keep the FB node as small as possible so that the ground pin and ground traces will shield it from the SW and BOOST nodes. Figure 5 shows component placement with trace, ground plane and via locations. Include vias near the GND pin, or pad, of the LT3470A to help remove heat from the LT3470A to the ground plane.

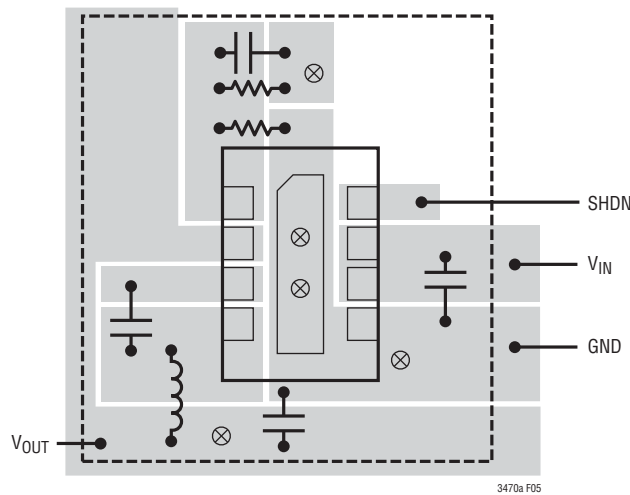


Figure 5. A Good PCB Layout Ensures Proper, Low EMI Operation

APPLICATIONS INFORMATION

Hot-Plugging Safely

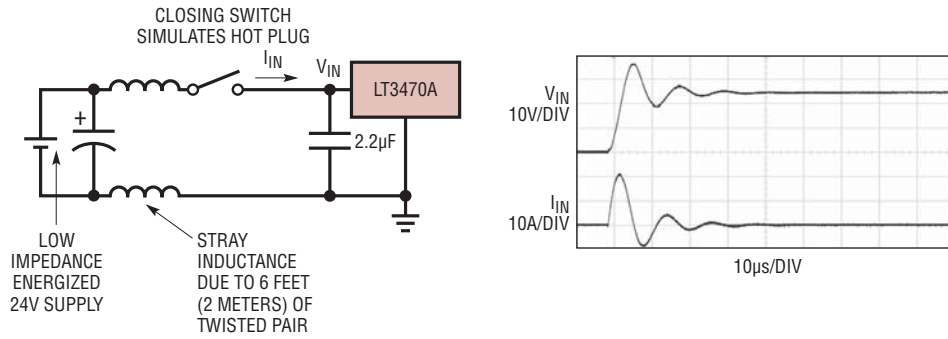
The small size, robustness and low impedance of ceramic capacitors make them an attractive option for the input bypass capacitor of LT3470A. However, these capacitors can cause problems if the LT3470A is plugged into a live supply (see Linear Technology Application Note 88 for a complete discussion). The low loss ceramic capacitor combined with stray inductance in series with the power source forms an under damped tank circuit, and the voltage at the V_{IN} pin of the LT3470A can ring to twice the nominal input voltage, possibly exceeding the LT3470A's rating and damaging the part. If the input supply is poorly controlled or the user will be plugging the LT3470A into an energized supply, the input network should be designed to prevent this overshoot. Figure 6 shows the waveforms that result when an LT3470A circuit is connected to a 24V supply through six feet of 24-gauge twisted pair. The first plot is the response with a 2.2 μ F ceramic capacitor at the input. The input voltage rings as high as 35V and the input current peaks at 20A. One method of damping the tank circuit is to add another capacitor with a series resistor to the circuit. In Figure 6b an aluminum electrolytic capacitor has been added. This capacitor's high equivalent series resistance damps the circuit and eliminates the voltage overshoot. The extra capacitor improves low frequency ripple filtering and can slightly improve the efficiency of the circuit, though it is likely to be the largest component in the circuit. An alternative solution is shown in Figure 6c. A 1 Ω resistor is added in series with the input to eliminate the

voltage overshoot (it also reduces the peak input current). A 0.1 μ F capacitor improves high frequency filtering. This solution is smaller and less expensive than the electrolytic capacitor. For high input voltages its impact on efficiency is minor, reducing efficiency less than one half percent for a 5V output at full load operating from 24V.

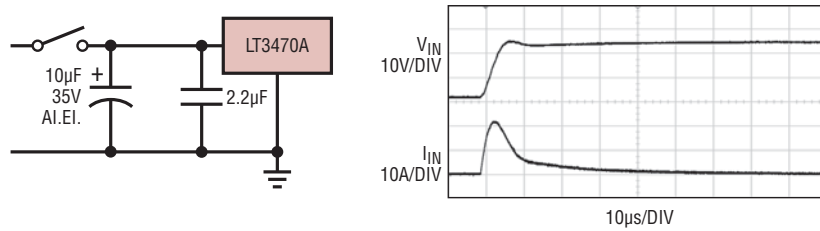
High Temperature Considerations

The die junction temperature of the LT3470A must be lower than the maximum rating of 125°C. This is generally not a concern unless the ambient temperature is above 85°C. For higher temperatures, care should be taken in the layout of the circuit to ensure good heat sinking of the LT3470A. The maximum load current should be derated as the ambient temperature approaches the maximum junction rating. The die temperature is calculated by multiplying the LT3470A power dissipation by the thermal resistance from junction to ambient. Power dissipation within the LT3470A can be estimated by calculating the total power loss from an efficiency measurement. Thermal resistance depends on the layout of the circuit board and choice of package. The DFN package with the exposed pad has a thermal resistance of approximately 80°C/W. Finally, be aware that at high ambient temperatures the internal Schottky diode will have significant leakage current (see Typical Performance Characteristics) increasing the quiescent current of the LT3470A converter.

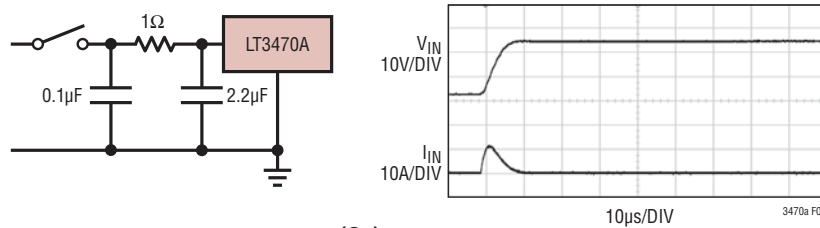
APPLICATIONS INFORMATION



(6a)



(6b)

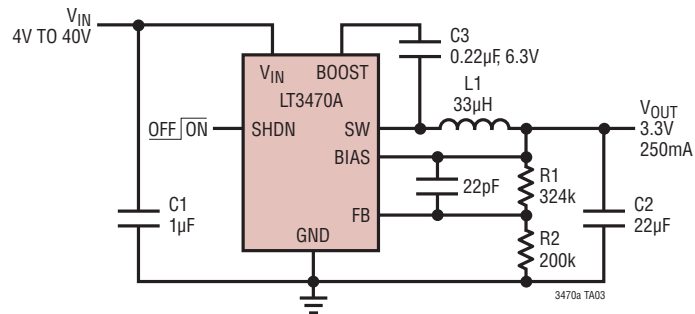


(6c)

Figure 6: A Well Chosen Input Network Prevents Input Voltage Overshoot and Ensures Reliable Operation When the LT3470A is Connected to a Live Supply

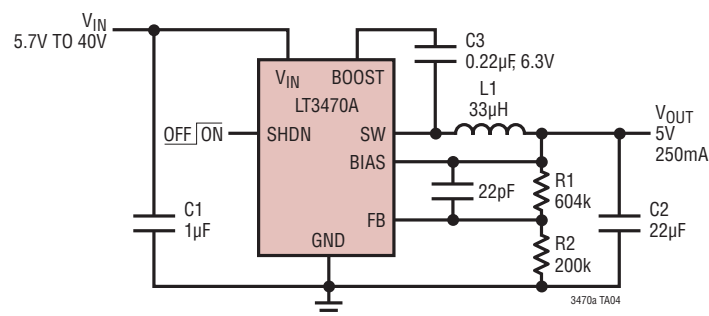
APPLICATIONS INFORMATION

3.3V Step-Down Converter



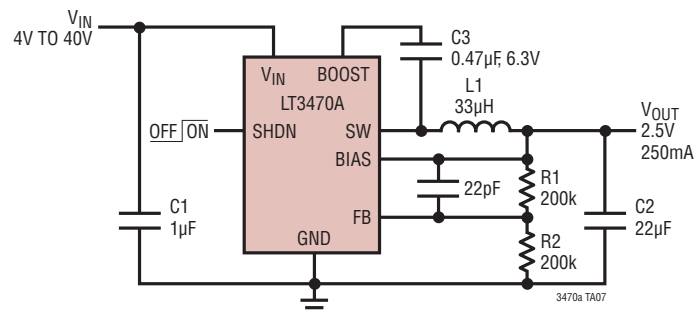
- C1: TDK C3216JB1H105M
- C2: CE JMK316 BJ226ML-T
- L1: TOKO A993AS-270M=P3

5V Step-Down Converter



- C1: TDK C3216JB1H105M
- C2: CE JMK316 BJ226ML-T
- L1: TOKO A914BYW-330M=P3

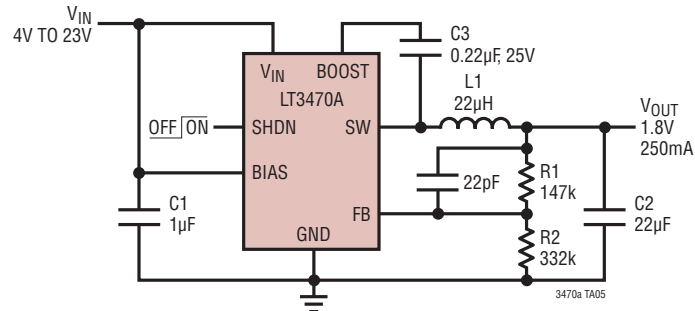
2.5V Step-Down Converter



- C1: TDK C3216JB1H105M
- C2: TDK C2012JB0J226M
- L1: SUMIDA CDRH3D28

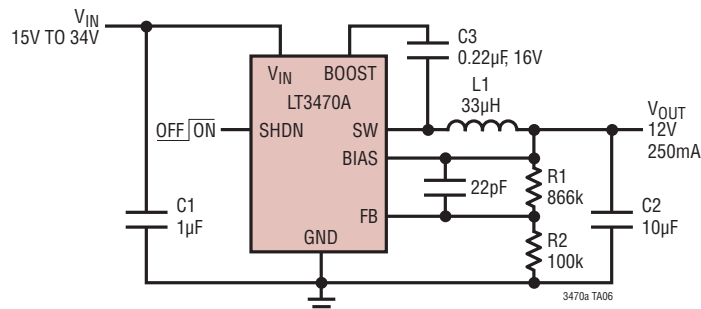
TYPICAL APPLICATIONS

1.8V Step-Down Converter



C1: TDK C3216JB1H105M
 C2: TDK C2012JB0J226M
 L1: MURATA LQH32CN150K53

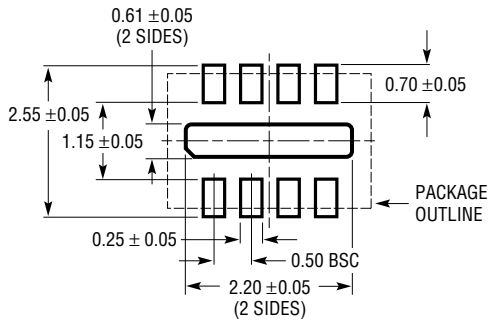
12V Step-Down Converter



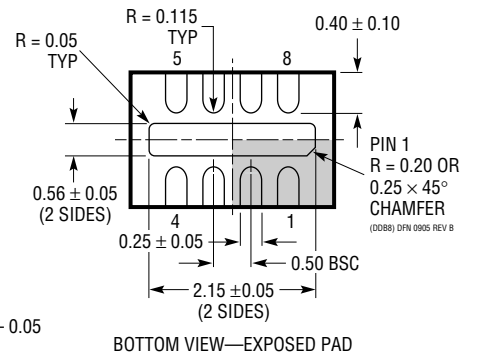
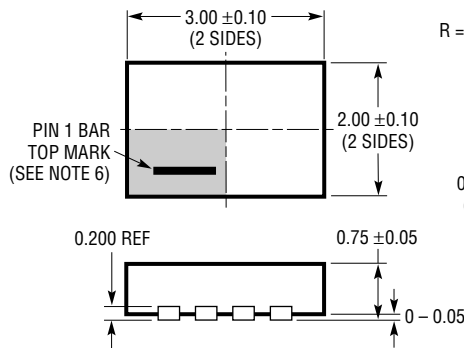
C1: TDK C3216JB1H105M
 C2: TDK C3216JB1C106M
 L1: MURATA LQH32CN150K53

PACKAGE DESCRIPTION

DDB Package 8-Lead Plastic DFN (3mm × 2mm) (Reference LTC DWG # 05-08-1702 Rev B)



RECOMMENDED SOLDER PAD PITCH AND DIMENSIONS



NOTE:

1. DRAWING CONFORMS TO VERSION (WECD-1) IN JEDEC PACKAGE OUTLINE M0-229
2. DRAWING NOT TO SCALE
3. ALL DIMENSIONS ARE IN MILLIMETERS
4. DIMENSIONS OF EXPOSED PAD ON BOTTOM OF PACKAGE DO NOT INCLUDE MOLD FLASH. MOLD FLASH, IF PRESENT, SHALL NOT EXCEED 0.15mm ON ANY SIDE
5. EXPOSED PAD SHALL BE SOLDER PLATED
6. SHADED AREA IS ONLY A REFERENCE FOR PIN 1 LOCATION ON THE TOP AND BOTTOM OF PACKAGE

LT3470A

RELATED PARTS

PART NUMBER	DESCRIPTION	COMMENTS
LT1616	25V, 500mA (I_{OUT}), 1.4MHz, High Efficiency Step-Down DC/DC Converter	$V_{IN} = 3.6V$ to 25V, $V_{OUT} = 1.25V$, $I_Q = 1.9mA$, $I_{SD} = <1\mu A$, ThinSOT Package
LT1676	60V, 440mA (I_{OUT}), 100kHz, High Efficiency Step-Down DC/DC Converter	$V_{IN} = 7.4V$ to 60V, $V_{OUT} = 1.24V$, $I_Q = 3.2mA$, $I_{SD} = 2.5\mu A$, S8 Package
LT1765	25V, 2.75A (I_{OUT}), 1.25MHz, High Efficiency Step-Down DC/DC Converter	$V_{IN} = 3V$ to 25V, $V_{OUT} = 1.2V$, $I_Q = 1mA$, $I_{SD} = 15\mu A$, S8, TSSOP16E Packages
LT1766	60V, 1.2A (I_{OUT}), 200kHz, High Efficiency Step-Down DC/DC Converter	$V_{IN} = 5.5V$ to 60V, $V_{OUT} = 1.2V$, $I_Q = 2.5mA$, $I_{SD} = 25\mu A$, TSSOP16/E Package
LT1767	25V, 1.2A (I_{OUT}), 1.25MHz, High Efficiency Step-Down DC/DC Converter	$V_{IN} = 3V$ to 25V; $V_{OUT} = 1.2V$, $I_Q = 1mA$, $I_{SD} = 6\mu A$, MS8/E Packages
LT1776	40V, 550mA (I_{OUT}), 200kHz, High Efficiency Step-Down DC/DC Converter	$V_{IN} = 7.4V$ to 40V; $V_{OUT} = 1.24V$, $I_Q = 3.2mA$, $I_{SD} = 30\mu A$, N8, S8 Packages
LTC®1877	600mA (I_{OUT}), 550kHz, Synchronous Step-Down DC/DC Converter	$V_{IN} = 2.7V$ to 10V; $V_{OUT} = 0.8V$, $I_Q = 10\mu A$, $I_{SD} = <1\mu A$, MS8 Package
LTC1879	1.2A (I_{OUT}), 550kHz, Synchronous Step-Down DC/DC Converter	$V_{IN} = 2.7V$ to 10V; $V_{OUT} = 0.8V$, $I_Q = 15\mu A$, $I_{SD} = <1\mu A$, TSSOP16 Package
LT1933	36V, 600mA, 500kHz, High Efficiency Step-Down DC/DC Converter	$V_{IN} = 3.6V$ to 36V; $V_{OUT} = 1.25V$, $I_Q = 2.5\mu A$, $I_{SD} = <1\mu A$, ThinSOT and 2mm × 3mm DFN-6 Package
LT1934	34V, 250mA (I_{OUT}), Micropower, Step-Down DC/DC Converter	$V_{IN} = 3.2V$ to 34V; $V_{OUT} = 1.25V$, $I_Q = 12\mu A$, $I_{SD} = <1\mu A$, ThinSOT and 2mm × 3mm DFN-6 Package
LT1956	60V, 1.2A (I_{OUT}), 500kHz, High Efficiency Step-Down DC/DC Converter	$V_{IN} = 5.5V$ to 60V, $V_{OUT} = 1.2V$, $I_Q = 2.5mA$, $I_{SD} = 25\mu A$, TSSOP16/E Package
LTC3405/LTC3405A	300mA (I_{OUT}), 1.5MHz, Synchronous Step-Down DC/DC Converter	$V_{IN} = 2.7V$ to 6V, $V_{OUT} = 0.8V$, $I_Q = 20\mu A$, $I_{SD} = <1\mu A$, ThinSOT Package
LTC3406/LTC3406B	600mA (I_{OUT}), 1.5MHz, Synchronous Step-Down DC/DC Converter	$V_{IN} = 2.5V$ to 5.5V, $V_{OUT} = 0.6V$, $I_Q = 20\mu A$, $I_{SD} = <1\mu A$, ThinSOT Package
LTC3411	1.25A (I_{OUT}), 4MHz, Synchronous Step-Down DC/DC Converter	$V_{IN} = 2.5V$ to 5.5V, $V_{OUT} = 0.8V$, $I_Q = 60\mu A$, $I_{SD} = <1\mu A$, MS Package
LTC3412	2.5A (I_{OUT}), 4MHz, Synchronous Step-Down DC/DC Converter	$V_{IN} = 2.5V$ to 5.5V, $V_{OUT} = 0.8V$, $I_Q = 60\mu A$, $I_{SD} = <1\mu A$, TSSOP16E Package
LT3430	60V, 2.75A (I_{OUT}), 200kHz, High Efficiency Step-Down DC/DC Converter	$V_{IN} = 5.5V$ to 60V, $V_{OUT} = 1.2V$, $I_Q = 2.5mA$, $I_{SD} = 30\mu A$, TSSOP16E Package
LT3470	40V, 200mA, Micropower Step-Down DC/DC Converter	$V_{IN} = 4V$ to 40V, $V_{OUT} = 1.25V$, $I_Q = 35\mu A$, $I_{SD} = <1\mu A$, DFN-8, ThinSOT Packages