



FAN3216 / FAN3217

Dual-2A, High-Speed, Low-Side Gate Drivers

Features

- Industry-Standard Pinouts
- 4.5 to 18V Operating Range
- 3A Peak Sink/Source at $V_{DD} = 12V$
- 2.4A Sink / 1.6A Source at $V_{OUT} = 6V$
- TTL Input Thresholds
- Two Versions of Dual Independent Drivers:
 - Dual Inverting (FAN3216)
 - Dual Non-Inverting (FAN3217)
- Internal Resistors Turn Driver Off If No Inputs
- MillerDrive™ Technology
- 12ns / 9ns Typical Rise/Fall Times with 1nF Load
- Typical Propagation Delay Under 20ns Matched within 1ns to the Other Channel
- Double Current Capability by Paralleling Channels
- Standard SOIC-8 Package
- Rated from $-40^{\circ}C$ to $+125^{\circ}C$ Ambient

Applications

- Switch-Mode Power Supplies
- High-Efficiency MOSFET Switching
- Synchronous Rectifier Circuits
- DC-to-DC Converters
- Motor Control

Description

The FAN3216 and FAN3217 dual 2A gate drivers are designed to drive N-channel enhancement-mode MOSFETs in low-side switching applications by providing high peak current pulses during the short switching intervals. They are both available with TTL input thresholds. Internal circuitry provides an under-voltage lockout function by holding the output LOW until the supply voltage is within the operating range. In addition, the drivers feature matched internal propagation delays between A and B channels for applications requiring dual gate drives with critical timing, such as synchronous rectifiers. This also enables connecting two drivers in parallel to effectively double the current capability driving a single MOSFET.

The FAN3216/17 drivers incorporate MillerDrive™ architecture for the final output stage. This bipolar-MOSFET combination provides high current during the Miller plateau stage of the MOSFET turn-on / turn-off process to minimize switching loss, while providing rail-to-rail voltage swing and reverse current capability.

The FAN3216 offers two inverting drivers and the FAN3217 offers two non-inverting drivers. Both are offered in a standard 8-pin SOIC package.

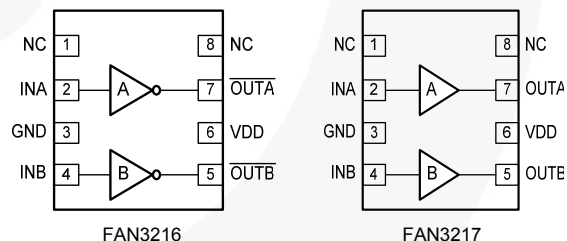


Figure 1. Pin Configurations

Ordering Information

| Part Number | Logic | Input Threshold | Package | Packing Method | Quantity per Reel |
|-------------|-----------------------------|-----------------|---------|----------------|-------------------|
| FAN3216TMX | Dual Inverting Channels | TTL | SOIC-8 | Tape & Reel | 2,500 |
| FAN3217TMX | Dual Non-Inverting Channels | TTL | SOIC-8 | Tape & Reel | 2,500 |

Package Outlines

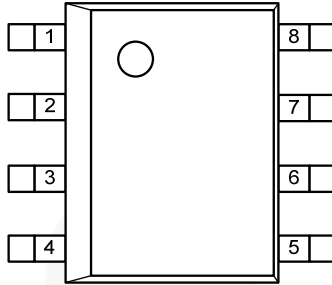


Figure 2. SOIC-8 (Top View)

Thermal Characteristics⁽¹⁾

| Package | Θ_{JL} ⁽²⁾ | Θ_{JT} ⁽³⁾ | Θ_{JA} ⁽⁴⁾ | Ψ_{JB} ⁽⁵⁾ | Ψ_{JT} ⁽⁶⁾ | Units |
|---|------------------------------|------------------------------|------------------------------|----------------------------|----------------------------|-------|
| 8-Pin Small Outline Integrated Circuit (SOIC) | 40 | 31 | 89 | 43 | 3.0 | °C/W |

Notes:

- Estimates derived from thermal simulation; actual values depend on the application.
- Theta_JL (Θ_{JL}): Thermal resistance between the semiconductor junction and the bottom surface of all the leads (including any thermal pad) that are typically soldered to a PCB.
- Theta_JT (Θ_{JT}): Thermal resistance between the semiconductor junction and the top surface of the package, assuming it is held at a uniform temperature by a top-side heatsink.
- Theta_JA (Θ_{JA}): Thermal resistance between junction and ambient, dependent on the PCB design, heat sinking, and airflow. The value given is for natural convection with no heatsink using a 2S2P board, as specified in JEDEC standards JESD51-2, JESD51-5, and JESD51-7, as appropriate.
- Psi_JB (Ψ_{JB}): Thermal characterization parameter providing correlation between semiconductor junction temperature and an application circuit board reference point for the thermal environment defined in Note 4. For the SOIC-8 package, the board reference is defined as the PCB copper adjacent to pin 6.
- Psi_JT (Ψ_{JT}): Thermal characterization parameter providing correlation between the semiconductor junction temperature and the center of the top of the package for the thermal environment defined in Note 4.

Pin Configurations

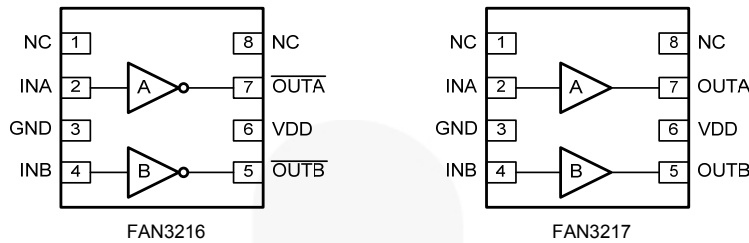


Figure 3. Pin Configurations (Repeated)

Pin Definitions

| Pin | Name | Pin Description |
|-------------|--------------------------|---|
| 1 | NC | No Connect. This pin can be grounded or left floating. |
| 2 | INA | Input to Channel A. |
| 3 | GND | Ground. Common ground reference for input and output circuits. |
| 2 | INA | Input to Channel A. |
| 4 | INB | Input to Channel B. |
| 7 | OUTA | Gate Drive Output A: Held LOW unless required input(s) are present and V_{DD} is above UVLO threshold. |
| 5 (FAN3216) | $\overline{\text{OUTB}}$ | Gate Drive Output B (inverted from the input): Held LOW unless required input is present and V_{DD} is above UVLO threshold. |
| 5 (FAN3217) | OUTB | Gate Drive Output B: Held LOW unless required input(s) are present and V_{DD} is above UVLO threshold. |
| 6 | VDD | Supply Voltage. Provides power to the IC. |
| 7 (FAN3216) | $\overline{\text{OUTA}}$ | Gate Drive Output A (inverted from the input): Held LOW unless required input is present and V_{DD} is above UVLO threshold. |
| 7 (FAN3217) | OUTA | Gate Drive Output A: Held LOW unless required input(s) are present and V_{DD} is above UVLO threshold. |
| 8 | NC | No Connect. This pin can be grounded or left floating. |

Output Logic

| FAN3216 (x=A or B) | | FAN3217 (x=A or B) | |
|--------------------|--------------------------|--------------------|------|
| INx | $\overline{\text{OUTx}}$ | INx | OUTx |
| 0 | 0 | 0 ⁽⁷⁾ | 0 |
| 1 ⁽⁷⁾ | 0 | 1 | 0 |
| 0 | 1 | 0 ⁽⁷⁾ | 0 |
| 1 ⁽⁷⁾ | 0 | 1 | 1 |

Note:

7. Default input signal if no external connection is made.

Block Diagrams

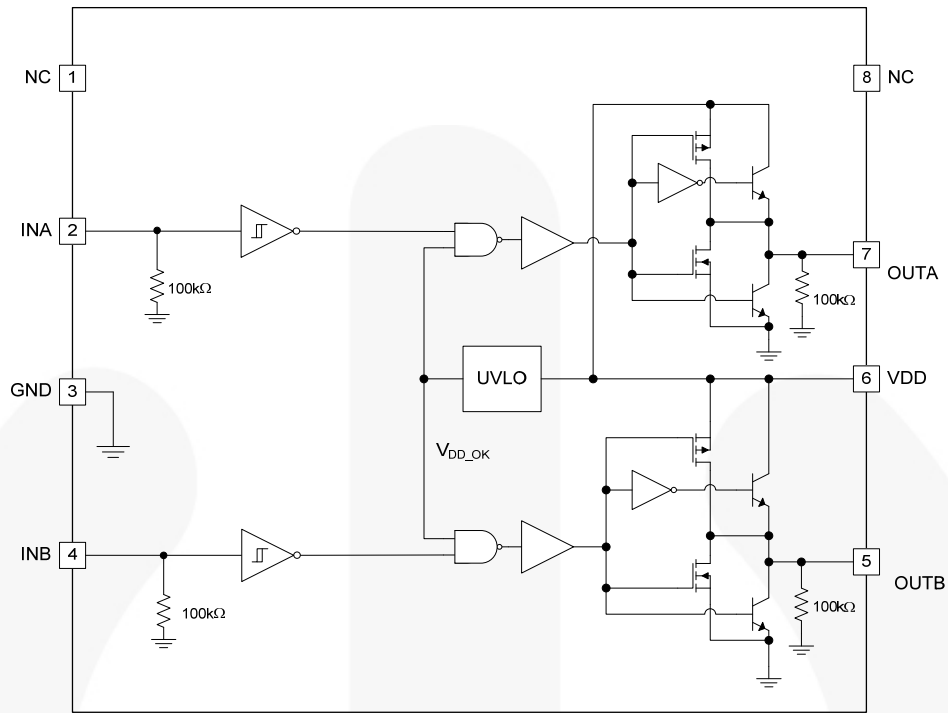


Figure 4. FAN3216 Block Diagram

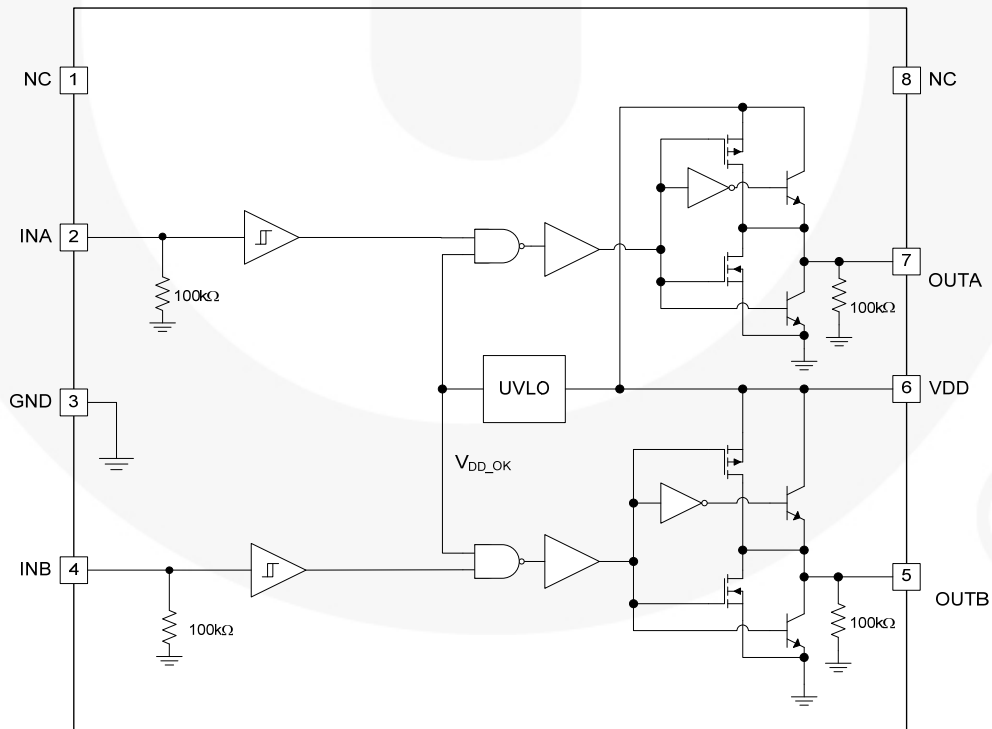


Figure 5. FAN3217 Block Diagram

Absolute Maximum Ratings

Stresses exceeding the absolute maximum ratings may damage the device. The device may not function or be operable above the recommended operating conditions and stressing the parts to these levels is not recommended. In addition, extended exposure to stresses above the recommended operating conditions may affect device reliability. The absolute maximum ratings are stress ratings only.

| Symbol | Parameter | | Min. | Max. | Unit |
|-----------|--|---|-----------|----------------|------|
| V_{DD} | VDD to PGND | | -0.3 | 20.0 | V |
| V_{IN} | INA, INA+, INA-, INB, INB+ and INB- to GND | | GND - 0.3 | $V_{DD} + 0.3$ | V |
| V_{OUT} | OUTA and OUTB to GND | | GND - 0.3 | $V_{DD} + 0.3$ | V |
| T_L | Lead Soldering Temperature (10 Seconds) | | | +260 | °C |
| T_J | Junction Temperature | | -55 | +150 | °C |
| T_{STG} | Storage Temperature | | -65 | +150 | °C |
| ESD | Electrostatic Discharge Protection Level | Human Body Model, JEDEC JESD22-A114 | 4 | | kV |
| | | Charged Device Model, JEDEC JESD22-C101 | 1 | | |

Recommended Operating Conditions

The Recommended Operating Conditions table defines the conditions for actual device operation. Recommended operating conditions are specified to ensure optimal performance to the datasheet specifications. Fairchild does not recommend exceeding them or designing to Absolute Maximum Ratings.

| Symbol | Parameter | Min. | Max. | Unit |
|----------|---|------|----------|------|
| V_{DD} | Supply Voltage Range | 4.5 | 18.0 | V |
| V_{IN} | Input Voltage INA, INA+, INA-, INB, INB+ and INB- | 0 | V_{DD} | V |
| T_A | Operating Ambient Temperature | -40 | +125 | °C |

Electrical Characteristics

Unless otherwise noted, $V_{DD}=12V$, $T_J=-40^{\circ}C$ to $+125^{\circ}C$. Currents are defined as positive into the device and negative out of the device.

| Symbol | Parameter | Conditions | Min. | Typ. | Max. | Unit |
|------------------|---|--|--------|------|-------|---------|
| Supply | | | | | | |
| V_{DD} | Operating Range | | 4.5 | | 18.0 | V |
| I_{DD} | Supply Current, Inputs Not Connected | | | 0.75 | 1.20 | mA |
| V_{ON} | Turn-On Voltage | $INA = V_{DD}, INB = 0V$ | 3.45 | 3.90 | 4.35 | V |
| V_{OFF} | Turn-Off Voltage | $INA = V_{DD}, INB = 0V$ | 3.25 | 3.70 | 4.15 | V |
| Inputs | | | | | | |
| V_{IL_T} | INx Logic Low Threshold | | 0.8 | 1.2 | | V |
| V_{IH_T} | INx Logic High Threshold | | | 1.6 | 2.0 | V |
| I_{IN+} | Non-Inverting Input | IN from 0 to V_{DD} | -1.5 | | 175.0 | μA |
| I_{IN-} | Inverting Input | IN from 0 to V_{DD} | -175.0 | | 1.5 | μA |
| V_{HYS_T} | TTL Logic Hysteresis Voltage | | 0.2 | 0.4 | 0.8 | V |
| Output | | | | | | |
| I_{SINK} | OUT Current, Mid-Voltage, Sinking ⁽⁸⁾ | OUTx at $V_{DD}/2$, $C_{LOAD}=0.22\mu F$, $f=1kHz$ | | 2.4 | | A |
| I_{SOURCE} | OUT Current, Mid-Voltage, Sourcing ⁽⁸⁾ | OUTx at $V_{DD}/2$, $C_{LOAD}=0.1\mu F$, $f=1kHz$ | | -1.6 | | A |
| I_{PK_SINK} | OUT Current, Peak, Sinking ⁽⁸⁾ | $C_{LOAD}=0.1\mu F$, $f=1kHz$ | | 3 | | A |
| I_{PK_SOURCE} | OUT Current, Peak, Sourcing ⁽⁸⁾ | $C_{LOAD}=0.1\mu F$, $f=1kHz$ | | -3 | | A |
| t_{RISE} | Output Rise Time ⁽⁹⁾ | $C_{LOAD}=1000pF$ | | 12 | 22 | ns |
| t_{FALL} | Output Fall Time ⁽⁹⁾ | $C_{LOAD}=1000pF$ | | 9 | 17 | ns |
| t_{D1}, t_{D2} | Output Propagation Delay, TTL Inputs ⁽⁹⁾ | 0 - $5V_{IN}$, 1V/ns Slew Rate | 10 | 19 | 34 | ns |
| | Propagation Matching Between Channels | $INA=INB$, OUTA and OUTB at 50% Point | | 1 | 2 | ns |
| I_{RVS} | Output Reverse Current Withstand ⁽⁸⁾ | | | 500 | | mA |

Notes:

8. Not tested in production.
9. See Timing Diagrams of Figure 6 and Figure 7.

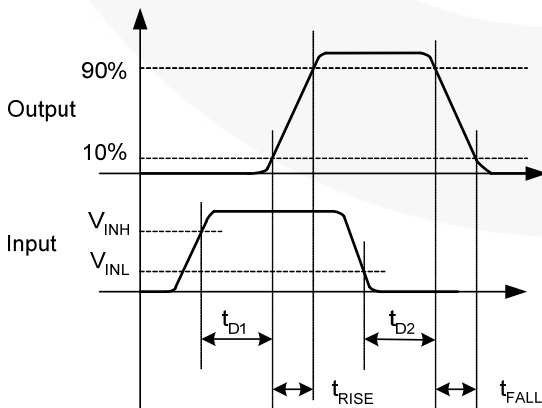


Figure 6. Non-Inverting Timing Diagram

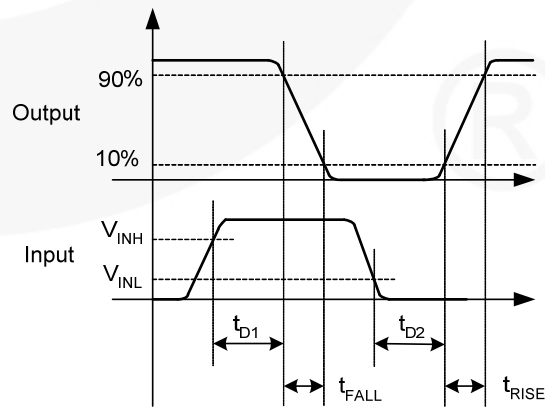


Figure 7. Inverting Timing Diagram

Typical Performance Characteristics

Typical characteristics are provided at $T_A=25^\circ\text{C}$ and $V_{DD}=12\text{V}$ unless otherwise noted.

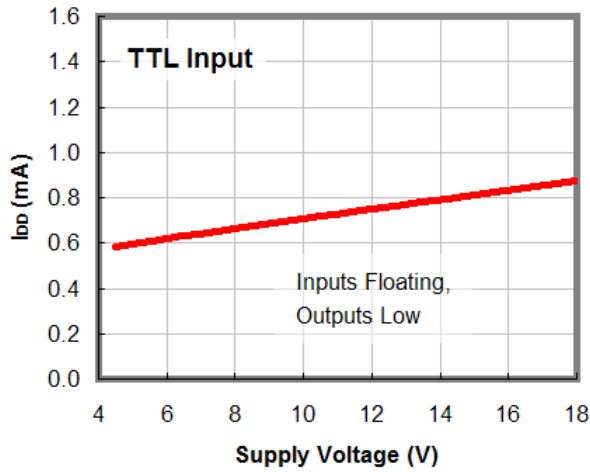


Figure 8. I_{DD} (Static) vs. Supply Voltage⁽¹⁰⁾

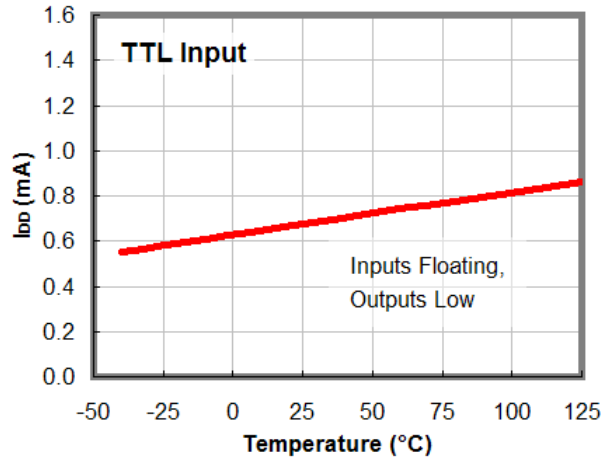


Figure 9. I_{DD} (Static) vs. Temperature⁽¹⁰⁾

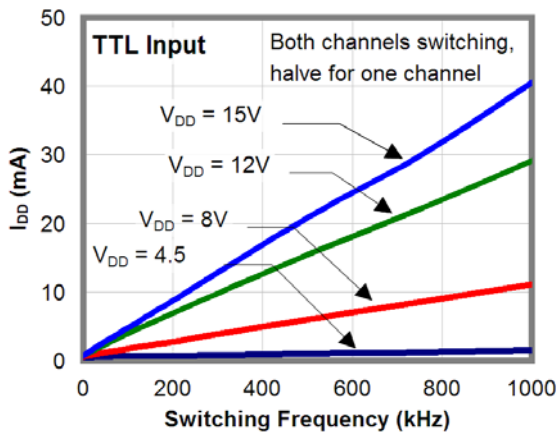


Figure 10. I_{DD} (No-Load) vs. Frequency

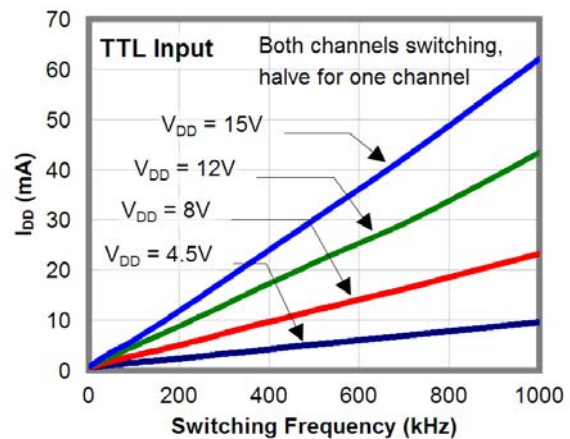


Figure 11. I_{DD} (1nF Load) vs. Frequency

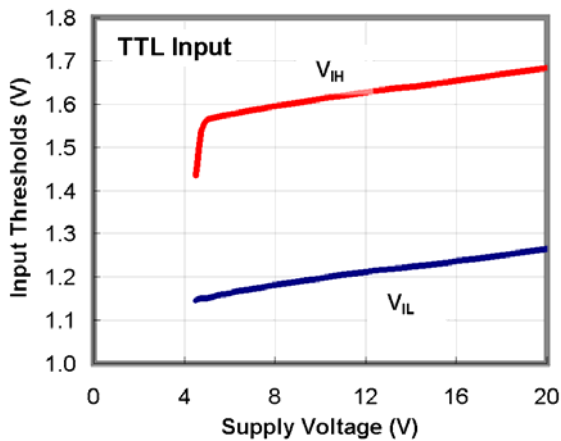


Figure 12. Input Thresholds vs. Supply Voltage

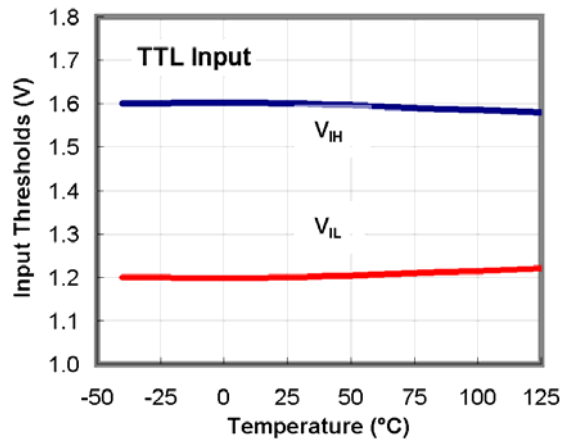


Figure 13. Input Thresholds vs. Temperature

Typical Performance Characteristics

Typical characteristics are provided at $T_A=25^\circ\text{C}$ and $V_{DD}=12\text{V}$ unless otherwise noted.

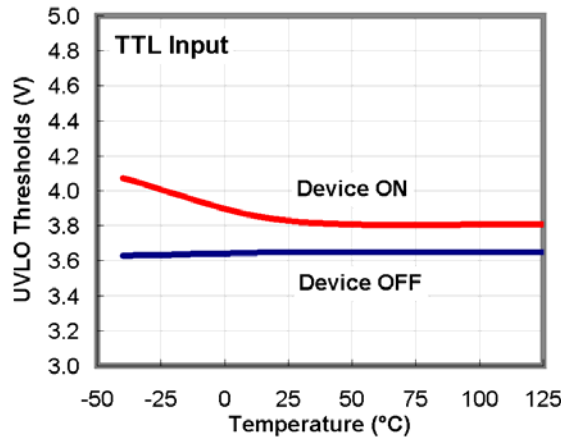


Figure 14. UVLO Threshold vs. Temperature

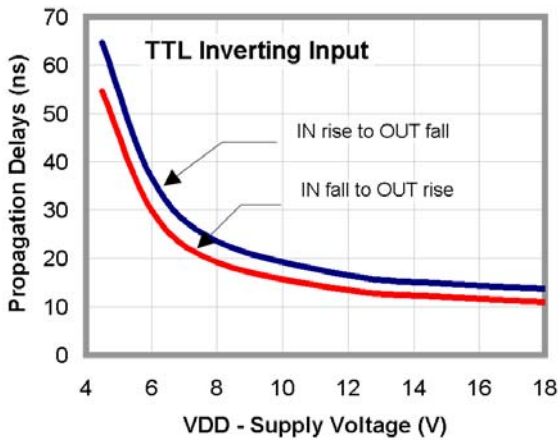


Figure 15. Propagation Delay vs. Supply Voltage

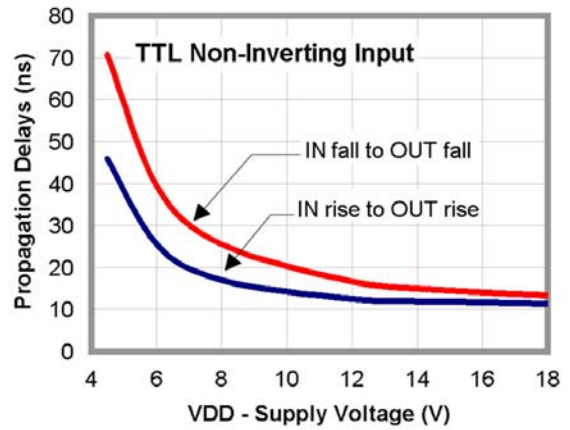


Figure 16. Propagation Delay vs. Supply Voltage

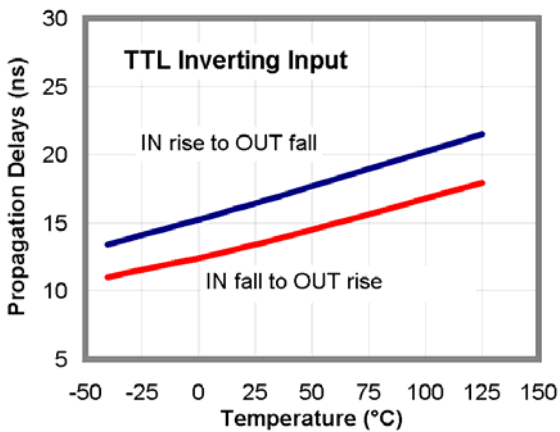


Figure 17. Propagation Delays vs. Temperature

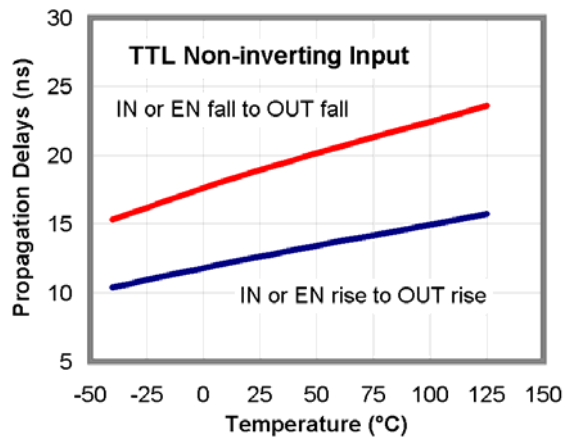


Figure 18. Propagation Delays vs. Temperature

Typical Performance Characteristics

Typical characteristics are provided at $T_A=25^\circ\text{C}$ and $V_{DD}=12\text{V}$ unless otherwise noted.

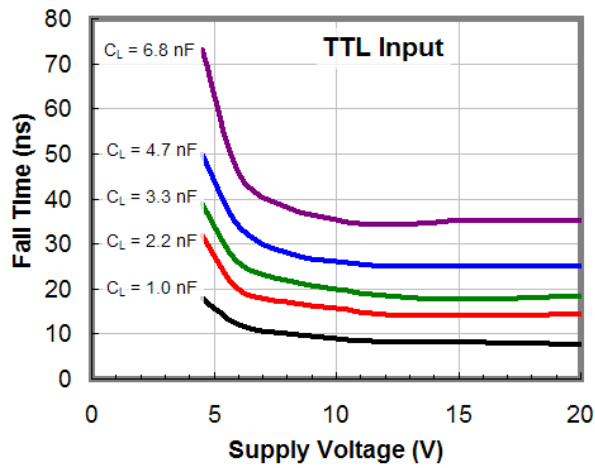


Figure 19. Fall Time vs. Supply Voltage

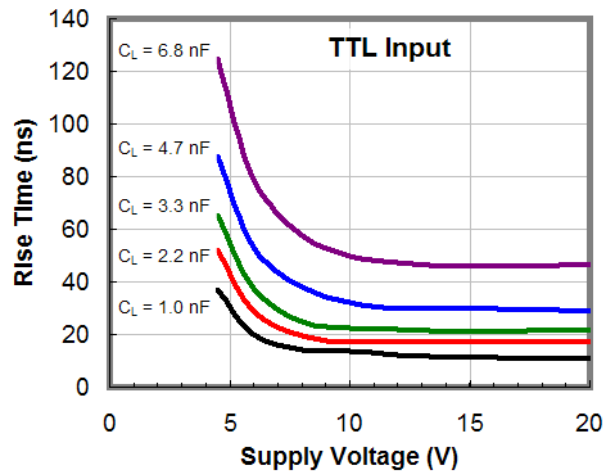


Figure 20. Rise Time vs. Supply Voltage

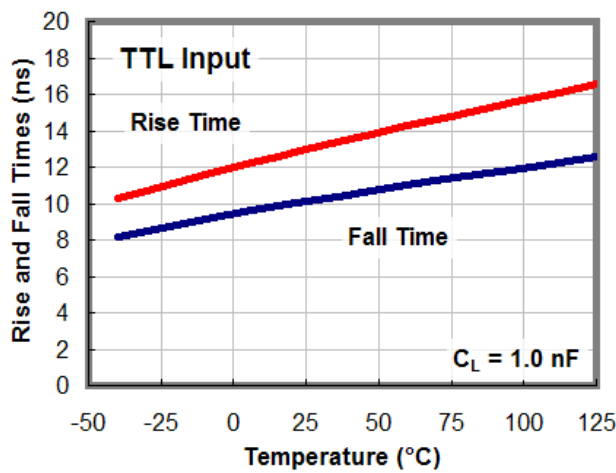


Figure 21. Rise and Fall Times vs. Temperature

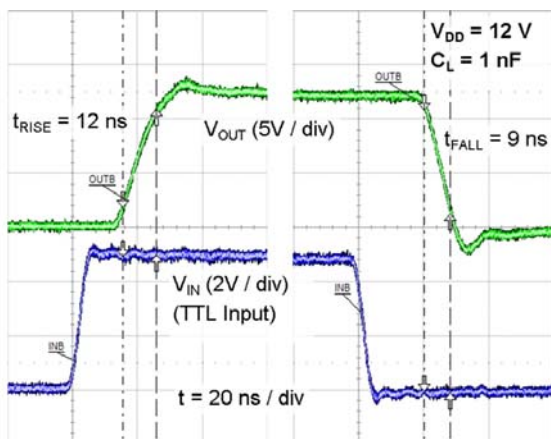


Figure 22. Rise/Fall Waveforms with 2.2nF Load

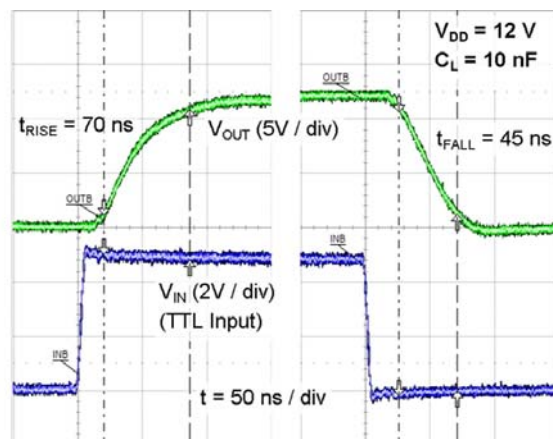


Figure 23. Rise/Fall Waveforms with 10nF Load

Typical Performance Characteristics

Typical characteristics are provided at $T_A=25^\circ\text{C}$ and $V_{DD}=12\text{V}$ unless otherwise noted.

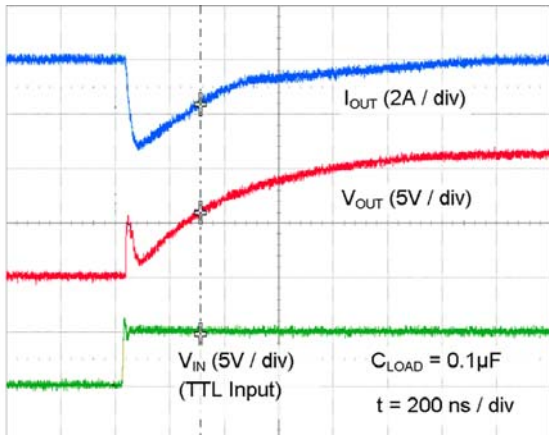


Figure 24. Quasi-Static Source Current with $V_{DD}=12\text{V}^{(11)}$

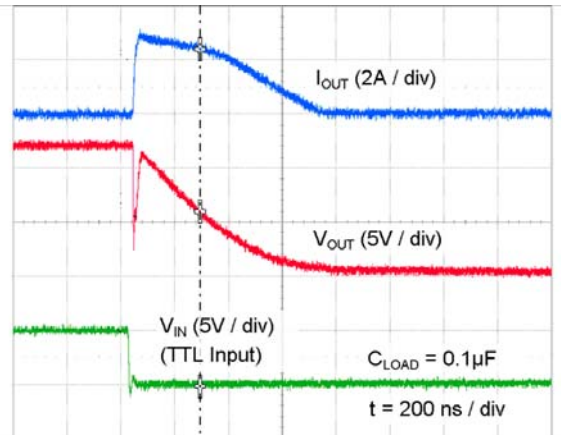


Figure 25. Quasi-Static Sink Current with $V_{DD}=12\text{V}^{(11)}$

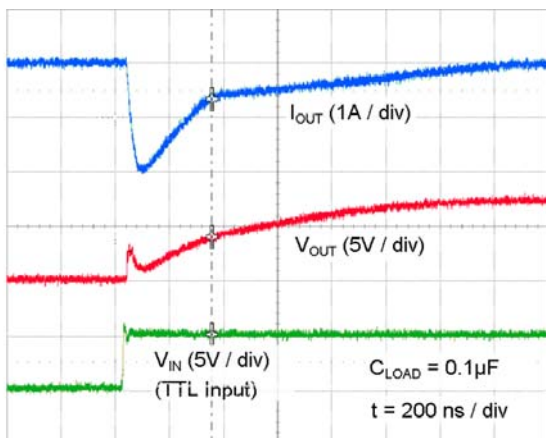


Figure 26. Quasi-Static Source Current with $V_{DD}=8\text{V}^{(11)}$

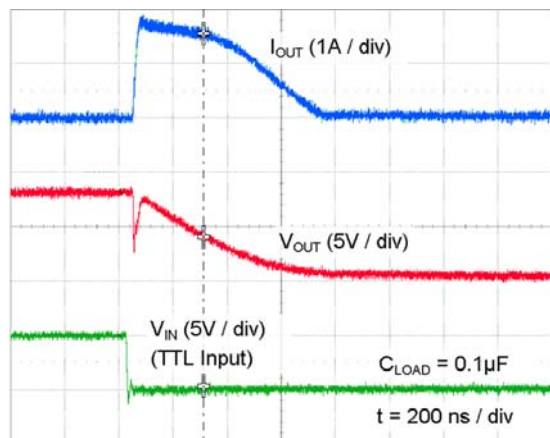


Figure 27. Quasi-Static Sink Current with $V_{DD}=8\text{V}^{(11)}$

Notes:

10. For any inverting inputs pulled LOW, non-inverting inputs pulled HIGH, or outputs driven HIGH; static I_{DD} increases by the current flowing through the corresponding pull-up/down resistor shown in Figure 4 and Figure 5.
11. The initial spike in each current waveform is a measurement artifact caused by the stray inductance of the current-measurement loop.

Test Circuit

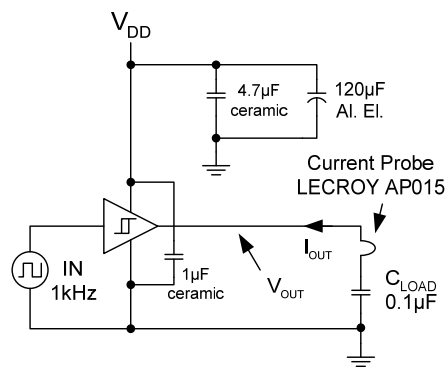


Figure 28. Quasi-Static I_{OUT} / V_{OUT} Test Circuit

Applications Information

Input Thresholds

The FAN3216 and the FAN3217 drivers consist of two identical channels that may be used independently at rated current or connected in parallel to double the individual current capacity.

The input thresholds meet industry-standard TTL-logic thresholds independent of the V_{DD} voltage, and there is a hysteresis voltage of approximately 0.4V. These levels permit the inputs to be driven from a range of input logic signal levels for which a voltage over 2V is considered logic HIGH. The driving signal for the TTL inputs should have fast rising and falling edges with a slew rate of $6V/\mu s$ or faster, so a rise time from 0 to 3.3V should be 550ns or less. With reduced slew rate, circuit noise could cause the driver input voltage to exceed the hysteresis voltage and retrigger the driver input, causing erratic operation.

Static Supply Current

In the I_{DD} (static) typical performance characteristics shown in Figure 8 and Figure 9, each curve is produced with both inputs floating and both outputs LOW to indicate the lowest static I_{DD} current. For other states, additional current flows through the 100k Ω resistors on the inputs and outputs shown in the block diagram of each part (see Figure 4 and Figure 5). In these cases, the actual static I_{DD} current is the value obtained from the curves plus this additional current.

MillerDrive™ Gate Drive Technology

FAN3216 and FAN3217 gate drivers incorporate the MillerDrive™ architecture shown in Figure 29. For the output stage, a combination of bipolar and MOS devices provide large currents over a wide range of supply voltage and temperature variations. The bipolar devices carry the bulk of the current as OUT swings between 1/3 to 2/3 V_{DD} and the MOS devices pull the output to the HIGH or LOW rail.

The purpose of the MillerDrive™ architecture is to speed up switching by providing high current during the Miller plateau region when the gate-drain capacitance of the MOSFET is being charged or discharged as part of the turn-on / turn-off process.

For applications with zero voltage switching during the MOSFET turn-on or turn-off interval, the driver supplies high peak current for fast switching even though the Miller plateau is not present. This situation often occurs in synchronous rectifier applications because the body diode is generally conducting before the MOSFET is switched ON.

The output pin slew rate is determined by V_{DD} voltage and the load on the output. It is not user adjustable, but a series resistor can be added if a slower rise or fall time at the MOSFET gate is needed.

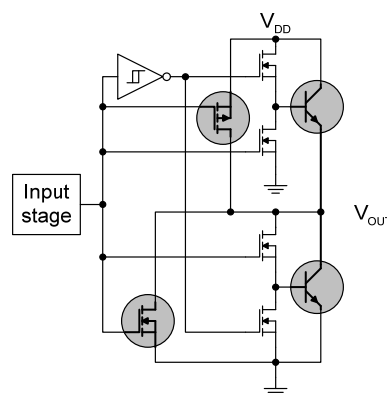


Figure 29. MillerDrive™ Output Architecture

Under-Voltage Lockout

The FAN321x startup logic is optimized to drive ground-referenced N-channel MOSFETs with an under-voltage lockout (UVLO) function to ensure that the IC starts up in an orderly fashion. When V_{DD} is rising, yet below the 3.9V operational level, this circuit holds the output LOW, regardless of the status of the input pins. After the part is active, the supply voltage must drop 0.2V before the part shuts down. This hysteresis helps prevent chatter when low V_{DD} supply voltages have noise from the power switching. This configuration is not suitable for driving high-side P-channel MOSFETs because the low output voltage of the driver would turn the P-channel MOSFET on with V_{DD} below 3.9V.

V_{DD} Bypass Capacitor Guidelines

To enable this IC to turn a device ON quickly, a local high-frequency bypass capacitor, C_{BYP} , with low ESR and ESL should be connected between the VDD and GND pins with minimal trace length. This capacitor is in addition to bulk electrolytic capacitance of 10 μF to 47 μF commonly found on driver and controller bias circuits.

A typical criterion for choosing the value of C_{BYP} is to keep the ripple voltage on the V_{DD} supply to $\leq 5\%$. This is often achieved with a value ≥ 20 times the equivalent load capacitance C_{EQV} , defined here as Q_{GATE}/V_{DD} . Ceramic capacitors of 0.1 μF to 1 μF or larger are common choices, as are dielectrics, such as X5R and X7R, with good temperature characteristics and high pulse current capability.

If circuit noise affects normal operation, the value of C_{BYP} may be increased, to 50-100 times the C_{EQV} , or C_{BYP} may be split into two capacitors. One should be a larger value, based on equivalent load capacitance, and the other a smaller value, such as 1-10nF mounted closest to the VDD and GND pins to carry the higher-frequency components of the current pulses. The bypass capacitor must provide the pulsed current from both of the driver channels and, if the drivers are switching simultaneously, the combined peak current sourced from the C_{BYP} would be twice as large as when a single channel is switching.

Layout and Connection Guidelines

The FAN3216 and FAN3217 gate drivers incorporate fast-reacting input circuits, short propagation delays, and powerful output stages capable of delivering current peaks over 2A to facilitate voltage transition times from under 10ns to over 150ns. The following layout and connection guidelines are strongly recommended:

- Keep high-current output and power ground paths separate from logic input signals and signal ground paths. This is especially critical for TTL-level logic thresholds at driver input pins.
- Keep the driver as close to the load as possible to minimize the length of high-current traces. This reduces the series inductance to improve high-speed switching, while reducing the loop area that can radiate EMI to the driver inputs and surrounding circuitry.
- If the inputs to a channel are not externally connected, the internal 100k Ω resistors indicated on block diagrams command a low output. In noisy environments, it may be necessary to tie inputs of an unused channel to VDD or GND using short traces to prevent noise from causing spurious output switching.
- Many high-speed power circuits can be susceptible to noise injected from their own output or other external sources, possibly causing output re-triggering. These effects can be obvious if the circuit is tested in breadboard or non-optimal circuit layouts with long input or output leads. For best results, make connections to all pins as short and direct as possible.
- FAN3216 and FAN3217 are pin-compatible with many other industry-standard drivers.
- The turn-on and turn-off current paths should be minimized, as discussed in the following section.

Figure 30 shows the pulsed gate drive current path when the gate driver is supplying gate charge to turn the MOSFET on. The current is supplied from the local bypass capacitor, C_{BYP} , and flows through the driver to the MOSFET gate and to ground. To reach the high peak currents possible, the resistance and inductance in the path should be minimized. The localized C_{BYP} acts to contain the high peak current pulses within this driver-MOSFET circuit, preventing them from disturbing the sensitive analog circuitry in the PWM controller.

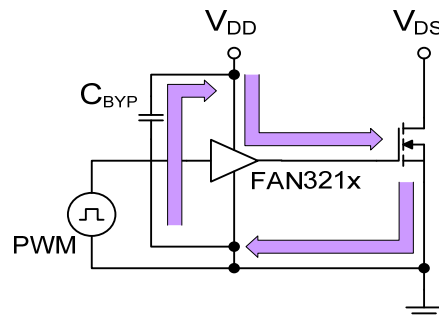


Figure 30. Current Path for MOSFET Turn-On

Figure 31 shows the current path when the gate driver turns the MOSFET OFF. Ideally, the driver shunts the current directly to the source of the MOSFET in a small circuit loop. For fast turn-off times, the resistance and inductance in this path should be minimized.

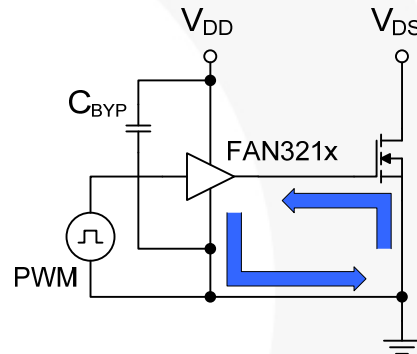


Figure 31. Current Path for MOSFET Turn-Off

Operational Waveforms

At power-up, the driver output remains LOW until the V_{DD} voltage reaches the turn-on threshold. The magnitude of the OUT pulses rises with V_{DD} until steady-state V_{DD} is reached. The non-inverting operation illustrated in Figure 32 shows that the output remains LOW until the UVLO threshold is reached, then the output is in-phase with the input.

The inverting configuration of startup waveforms are shown in Figure 33. With $IN+$ tied to V_{DD} and the input signal applied to $IN-$, the OUT pulses are inverted with respect to the input. At power-up, the inverted output remains LOW until the V_{DD} voltage reaches the turn-on threshold, then it follows the input with inverted phase.

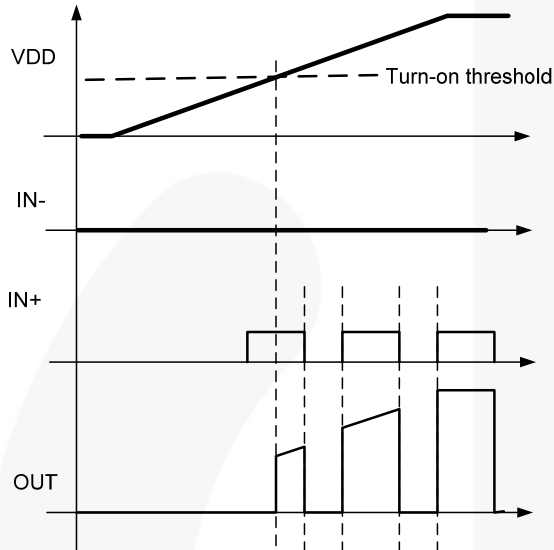


Figure 32. Non-Inverting Startup Waveforms

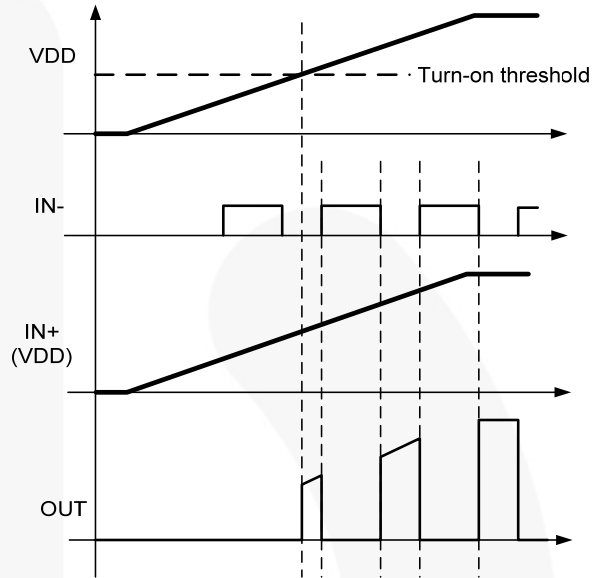


Figure 33. Inverting Startup Waveforms



Thermal Guidelines

Gate drivers used to switch MOSFETs and IGBTs at high frequencies can dissipate significant amounts of power. It is important to determine the driver power dissipation and the resulting junction temperature in the application to ensure that the part is operating within acceptable temperature limits.

The total power dissipation in a gate driver is the sum of two components, P_{GATE} and P_{DYNAMIC} :

$$P_{\text{TOTAL}} = P_{\text{GATE}} + P_{\text{DYNAMIC}} \quad (1)$$

Gate Driving Loss: The most significant power loss results from supplying gate current (charge per unit time) to switch the load MOSFET on and off at the switching frequency. The power dissipation that results from driving a MOSFET at a specified gate-source voltage, V_{GS} , with gate charge, Q_{G} , at switching frequency, f_{SW} , is determined by:

$$P_{\text{GATE}} = Q_{\text{G}} \cdot V_{\text{GS}} \cdot f_{\text{SW}} \cdot n \quad (2)$$

where n is the number of driver channels in use (1 or 2).

Dynamic Pre-Drive / Shoot-through Current: A power loss resulting from internal current consumption under dynamic operating conditions, including pin pull-up / pull-down resistors, can be obtained using the graphs in Typical Performance Characteristics to determine the current I_{DYNAMIC} drawn from V_{DD} under actual operating conditions:

$$P_{\text{DYNAMIC}} = I_{\text{DYNAMIC}} \cdot V_{\text{DD}} \cdot n \quad (3)$$

Once the power dissipated in the driver is determined, the driver junction rise with respect to circuit board can be evaluated using the following thermal equation, assuming Ψ_{JB} was determined for a similar thermal design (heat sinking and air flow):

$$T_{\text{J}} = P_{\text{TOTAL}} \cdot \Psi_{\text{JB}} + T_{\text{B}} \quad (4)$$

where:

T_{J} = driver junction temperature;

Ψ_{JB} = (psi) thermal characterization parameter relating temperature rise to total power dissipation; and

T_{B} = board temperature in location as defined in the Thermal Characteristics table.

In the forward converter with synchronous rectifier shown in the typical application diagrams, the FDMS8660S is a reasonable MOSFET selection. The gate charge for each SR MOSFET would be 60nC with $V_{\text{GS}} = V_{\text{DD}} = 7\text{V}$. At a switching frequency of 500kHz, the total power dissipation is:

$$P_{\text{GATE}} = 60\text{nC} \cdot 7\text{V} \cdot 500\text{kHz} \cdot 2 = 0.42\text{W} \quad (5)$$

$$P_{\text{DYNAMIC}} = 3\text{mA} \cdot 7\text{V} \cdot 2 = 0.042\text{W} \quad (6)$$

$$P_{\text{TOTAL}} = 0.46\text{W} \quad (7)$$

The SOIC-8 has a junction-to-board thermal characterization parameter of $\Psi_{\text{JB}} = 43^\circ\text{C}/\text{W}$. In a system application, the localized temperature around the device is a function of the layout and construction of the PCB along with airflow across the surfaces. To ensure reliable operation, the maximum junction temperature of the device must be prevented from exceeding the maximum rating of 150°C ; with 80% derating, T_{J} would be limited to 120°C . Rearranging Equation 4 determines the board temperature required to maintain the junction temperature below 120°C :

$$T_{\text{B}} = T_{\text{J}} - P_{\text{TOTAL}} \cdot \Psi_{\text{JB}} \quad (8)$$

$$T_{\text{B}} = 120^\circ\text{C} - 0.46\text{W} \cdot 43^\circ\text{C}/\text{W} = 100^\circ\text{C} \quad (9)$$



Typical Application Diagrams

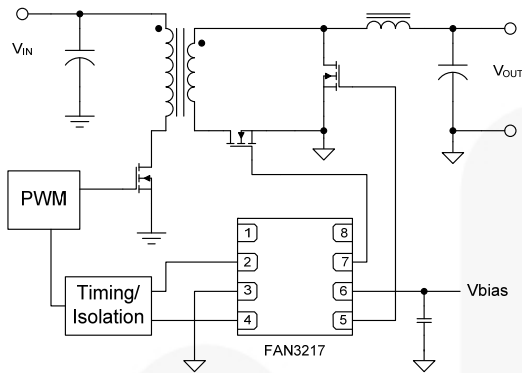


Figure 34. Forward Converter with Synchronous Rectification

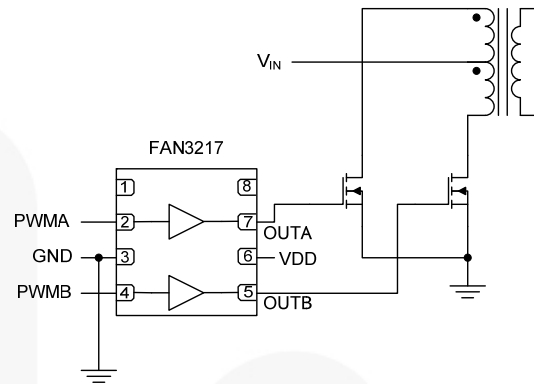


Figure 35. Primary-side Dual Driver in a Push-pull Converter

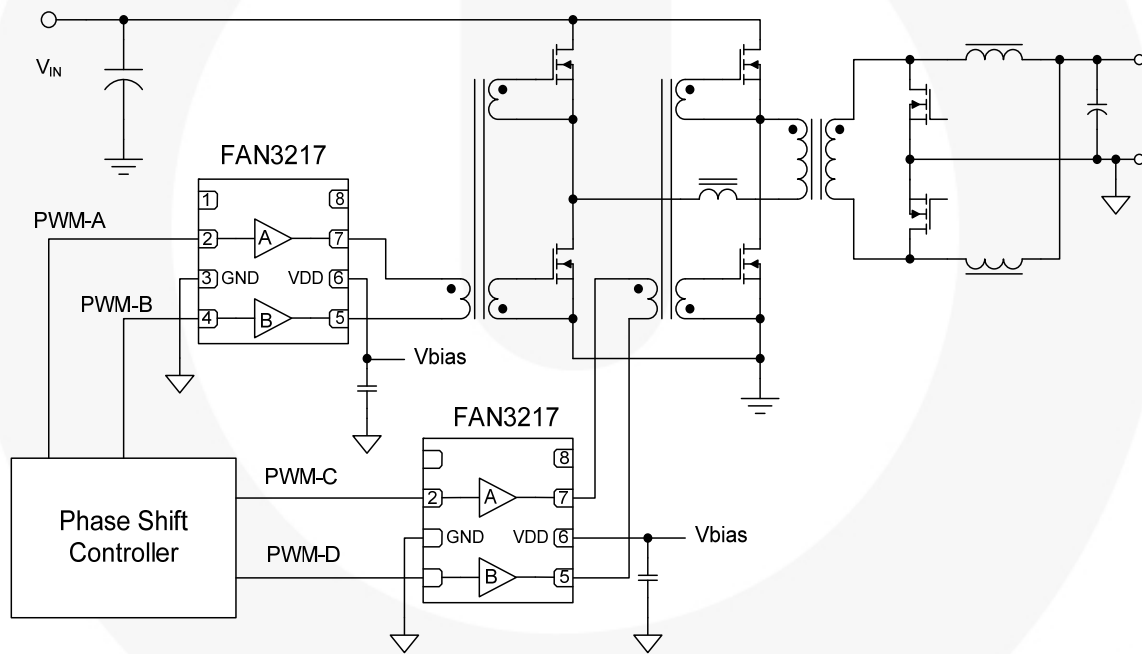


Figure 36. Phase-shifted Full-bridge with Two Gate Drive Transformers (Simplified)

Table 1. Related Products

| Type | Part Number | Gate Drive ⁽¹²⁾ (Sink/Src) | Input Threshold | Logic | Package |
|-----------|-------------|--|--------------------------|--|---------------|
| Single 1A | FAN3111C | +1.1A / -0.9A | CMOS | Single Channel of Dual-Input/Single-Output | SOT23-5, MLP6 |
| Single 1A | FAN3111E | +1.1A / -0.9A | External ⁽¹³⁾ | Single Non-Inverting Channel with External Reference | SOT23-5, MLP6 |
| Single 2A | FAN3100C | +2.5A / -1.8A | CMOS | Single Channel of Two-Input/One-Output | SOT23-5, MLP6 |
| Single 2A | FAN3100T | +2.5A / -1.8A | TTL | Single Channel of Two-Input/One-Output | SOT23-5, MLP6 |
| Dual 2A | FAN3216T | +2.4A / -1.6A | TTL | Dual Inverting Channels | SOIC8 |
| Dual 2A | FAN3217T | +2.4A / -1.6A | TTL | Dual Non-Inverting Channels | SOIC8 |
| Dual 2A | FAN3226C | +2.4A / -1.6A | CMOS | Dual Inverting Channels + Dual Enable | SOIC8, MLP8 |
| Dual 2A | FAN3226T | +2.4A / -1.6A | TTL | Dual Inverting Channels + Dual Enable | SOIC8, MLP8 |
| Dual 2A | FAN3227C | +2.4A / -1.6A | CMOS | Dual Non-Inverting Channels + Dual Enable | SOIC8, MLP8 |
| Dual 2A | FAN3227T | +2.4A / -1.6A | TTL | Dual Non-Inverting Channels + Dual Enable | SOIC8, MLP8 |
| Dual 2A | FAN3228C | +2.4A / -1.6A | CMOS | Dual Channels of Two-Input/One-Output, Pin Config.1 | SOIC8, MLP8 |
| Dual 2A | FAN3228T | +2.4A / -1.6A | TTL | Dual Channels of Two-Input/One-Output, Pin Config.1 | SOIC8, MLP8 |
| Dual 2A | FAN3229C | +2.4A / -1.6A | CMOS | Dual Channels of Two-Input/One-Output, Pin Config.2 | SOIC8, MLP8 |
| Dual 2A | FAN3229T | +2.4A / -1.6A | TTL | Dual Channels of Two-Input/One-Output, Pin Config.2 | SOIC8, MLP8 |
| Dual 2A | FAN3268T | +2.4A / -1.6A | TTL | 20V Non-Inverting Channel (NMOS) and Inverting Channel (PMOS) + Dual Enables | SOIC8 |
| Dual 2A | FAN3278T | +2.4A / -1.6A | TTL | 30V Non-Inverting Channel (NMOS) and Inverting Channel (PMOS) + Dual Enables | SOIC8 |
| Dual 4A | FAN3213T | +2.5A / -1.8A | TTL | Dual Inverting Channels | SOIC8 |
| Dual 4A | FAN3214T | +2.5A / -1.8A | TTL | Dual Non-Inverting Channels | SOIC8 |
| Dual 4A | FAN3223C | +4.3A / -2.8A | CMOS | Dual Inverting Channels + Dual Enable | SOIC8, MLP8 |
| Dual 4A | FAN3223T | +4.3A / -2.8A | TTL | Dual Inverting Channels + Dual Enable | SOIC8, MLP8 |
| Dual 4A | FAN3224C | +4.3A / -2.8A | CMOS | Dual Non-Inverting Channels + Dual Enable | SOIC8, MLP8 |
| Dual 4A | FAN3224T | +4.3A / -2.8A | TTL | Dual Non-Inverting Channels + Dual Enable | SOIC8, MLP8 |
| Dual 4A | FAN3225C | +4.3A / -2.8A | CMOS | Dual Channels of Two-Input/One-Output | SOIC8, MLP8 |
| Dual 4A | FAN3225T | +4.3A / -2.8A | TTL | Dual Channels of Two-Input/One-Output | SOIC8, MLP8 |
| Single 9A | FAN3121C | +9.7A / -7.1A | CMOS | Single Inverting Channel + Enable | SOIC8, MLP8 |
| Single 9A | FAN3121T | +9.7A / -7.1A | TTL | Single Inverting Channel + Enable | SOIC8, MLP8 |
| Single 9A | FAN3122T | +9.7A / -7.1A | CMOS | Single Non-Inverting Channel + Enable | SOIC8, MLP8 |
| Single 9A | FAN3122C | +9.7A / -7.1A | TTL | Single Non-Inverting Channel + Enable | SOIC8, MLP8 |

Notes:12. Typical currents with OUTx at 6V and $V_{DD}=12V$.

13. Thresholds proportional to an externally supplied reference voltage.

Physical Dimensions

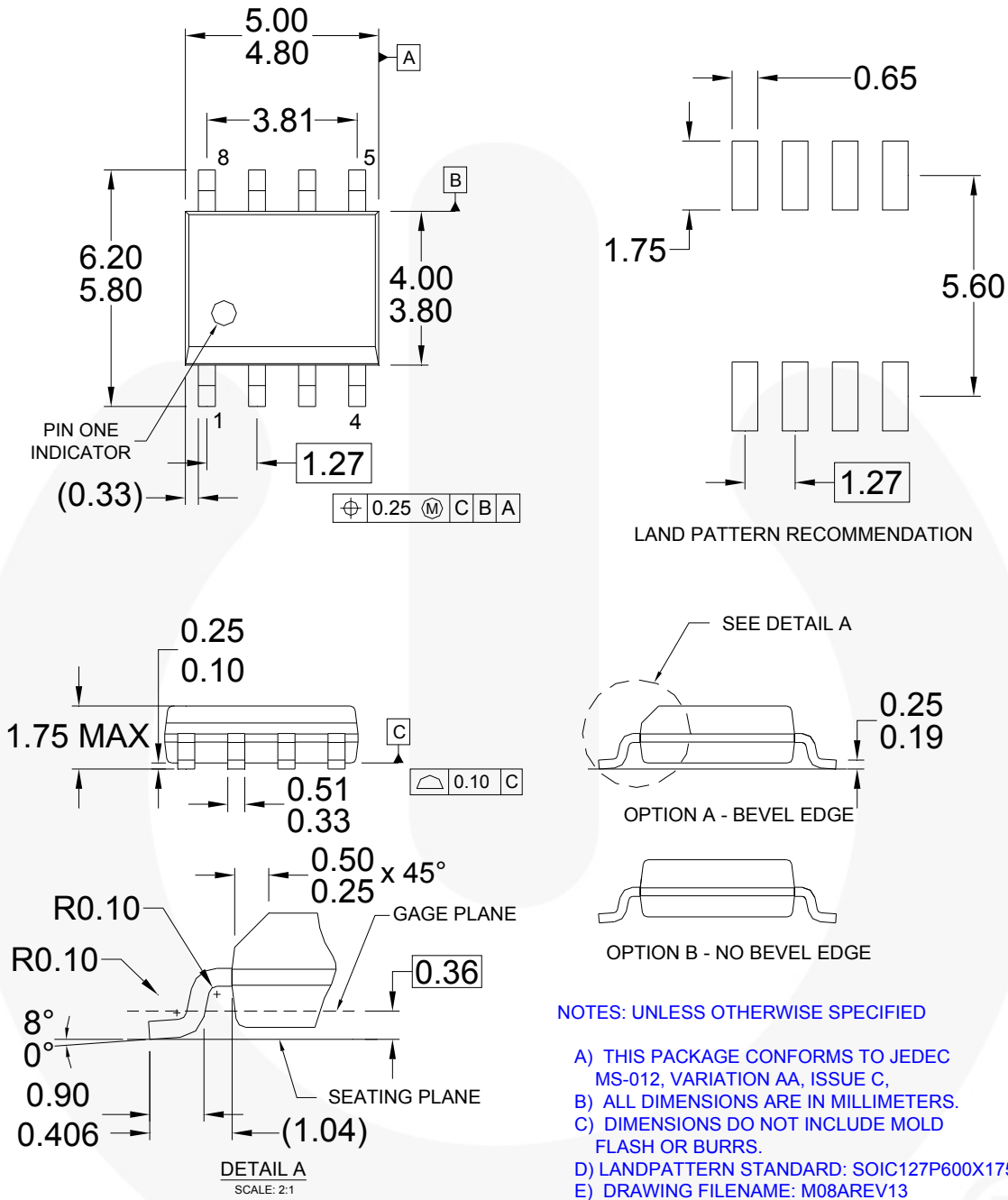


Figure 37. 8-Lead Small Outline Integrated Circuit (SOIC)



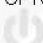
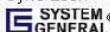
Package drawings are provided as a service to customers considering Fairchild components. Drawings may change in any manner without notice. Please note the revision and/or date on the drawing and contact a Fairchild Semiconductor representative to verify or obtain the most recent revision. Package specifications do not expand the terms of Fairchild's worldwide terms and conditions, specifically the warranty therein, which covers Fairchild products.

Always visit Fairchild Semiconductor's online packaging area for the most recent package drawings:
<http://www.fairchildsemi.com/packaging/>.



TRADEMARKS

The following includes registered and unregistered trademarks and service marks, owned by Fairchild Semiconductor and/or its global subsidiaries, and is not intended to be an exhaustive list of all such trademarks.

- | | | | |
|--|--|--|---|
| AccuPower™ | F-PFS™ | Power-SPM™ | The Power Franchise® |
| Auto-SPM™ | FRFET® | PowerTrench® | The Right Technology for Your Success™ |
| AX-CAP™ | Global Power Resource™ | PowerXS™ | the power franchise |
| Build it Now™ | Green FPST™ | Programmable Active Droop™ | TinyBoost™ |
| CorePLUS™ | Green FPST™ e-Series™ | QFET® | TinyBuck™ |
| CorePOWER™ | Gmax™ | QS™ | TinyCalc™ |
| CROSSVOLT™ | GTO™ | Quiet Series™ | TinyLogic® |
| CTL™ | IntelliMAX™ | RapidConfigure™ | TINYOPTO™ |
| Current Transfer Logic™ | ISOPLANAR™ |  ™ | TinyPower™ |
| DEUXPEED® | MegaBuck™ | Saving our world, 1mW/kW at a time™ | TinyPWM™ |
| Dual Cool™ | MI CROCOUPLER™ | SignalWise™ | TinyWire™ |
| EcoSPARK® | MicroFET™ | SmartMax™ | TriFault Detect™ |
| EfficientMax™ | MicroPak™ | SMART START™ | TRUECURRENT®* |
| ESBC™ | MicroPak2™ | SPM® | µSerDes™ |
|  Fairchild® | MillerDrive™ | STEALTH™ |  SerDes® |
| Fairchild Semiconductor® | MotionMax™ | SuperFET® | UHC® |
| FACT Quiet Series™ | Motion-SPM™ | SuperSOT™-3 | Ultra FRFET™ |
| FACT® | mWSaver™ | SuperSOT™-6 | UniFET™ |
| FAST® | OptoHIT™ | SuperSOT™-8 | VCX™ |
| FastvCore™ | OPTOLOGIC® | SupreMOS® | VisualMax™ |
| FETBench™ | OPTOPLANAR® | Syn cFET™ | XST™ |
| FlashWriter® |  PDP SPM™ | Syn c-Lock™ | |
| FPST™ | |  SYSTEM GENERAL®* | |

* Trademarks of System General Corporation, used under license by Fairchild Semiconductor.

DISCLAIMER

FAIRCHILD SEMICONDUCTOR RESERVES THE RIGHT TO MAKE CHANGES WITHOUT FURTHER NOTICE TO ANY PRODUCTS HEREIN TO IMPROVE RELIABILITY, FUNCTION, OR DESIGN. FAIRCHILD DOES NOT ASSUME ANY LIABILITY ARISING OUT OF THE APPLICATION OR USE OF ANY PRODUCT OR CIRCUIT DESCRIBED HEREIN; NEITHER DOES IT CONVEY ANY LICENSE UNDER ITS PATENT RIGHTS, NOR THE RIGHTS OF OTHERS. THESE SPECIFICATIONS DO NOT EXPAND THE TERMS OF FAIRCHILD'S WORLDWIDE TERMS AND CONDITIONS, SPECIFICALLY THE WARRANTY THEREIN, WHICH COVERS THESE PRODUCTS.

LIFE SUPPORT POLICY

FAIRCHILD'S PRODUCTS ARE NOT AUTHORIZED FOR USE AS CRITICAL COMPONENTS IN LIFE SUPPORT DEVICES OR SYSTEMS WITHOUT THE EXPRESS WRITTEN APPROVAL OF FAIRCHILD SEMICONDUCTOR CORPORATION.

As used herein:

1. Life support devices or systems are devices or systems which, (a) are intended for surgical implant into the body or (b) support or sustain life, and (c) whose failure to perform when properly used in accordance with instructions for use provided in the labeling, can be reasonably expected to result in a significant injury of the user.
2. A critical component in any component of a life support, device, or system whose failure to perform can be reasonably expected to cause the failure of the life support device or system, or to affect its safety or effectiveness.

ANTI-COUNTERFEITING POLICY

Fairchild Semiconductor Corporation's Anti-Counterfeiting Policy. Fairchild's Anti-Counterfeiting Policy is also stated on our external website, www.fairchildsemi.com, under Sales Support.

Counterfeiting of semiconductor parts is a growing problem in the industry. All manufacturers of semiconductor products are experiencing counterfeiting of their parts. Customers who inadvertently purchase counterfeit parts experience many problems such as loss of brand reputation, substandard performance, failed applications, and increased cost of production and manufacturing delays. Fairchild is taking strong measures to protect ourselves and our customers from the proliferation of counterfeit parts. Fairchild strongly encourages customers to purchase Fairchild parts either directly from Fairchild or from Authorized Fairchild Distributors who are listed by country on our web page cited above. Products customers buy either from Fairchild directly or from Authorized Fairchild Distributors are genuine parts, have full traceability, meet Fairchild's quality standards for handling and storage, and provide access to Fairchild's full range of up-to-date technical and product information. Fairchild and our Authorized Distributors will stand behind all warranties and will appropriately address any warranty issues that may arise. Fairchild will not provide any warranty coverage or other assistance for parts bought from Unauthorized Sources. Fairchild is committed to combat this global problem and encourage our customers to do their part in stopping this practice by buying direct or from authorized distributors.

PRODUCT STATUS DEFINITIONS

Definition of Terms

| Datasheet Identification | Product Status | Definition |
|--------------------------|-----------------------|---|
| Advance Information | Formative / In Design | Datasheet contains the design specifications for product development. Specifications may change in any manner without notice. |
| Preliminary | First Production | Datasheet contains preliminary data; supplementary data will be published at a later date. Fairchild Semiconductor reserves the right to make changes at any time without notice to improve design. |
| No Identification Needed | Full Production | Datasheet contains final specifications. Fairchild Semiconductor reserves the right to make changes at any time without notice to improve the design. |
| Obsolete | Not In Production | Datasheet contains specifications on a product that is discontinued by Fairchild Semiconductor. The datasheet is for reference information only. |

Rev. I53