

NOT RECOMMENDED FOR NEW DESIGNS
See HMP8115

March 1998

NTSC/PAL Video Decoder

Features

- Supports ITU-R BT.601 (CCIR601) and Square Pixel
- 3 Composite Analog Inputs with Sync Tip AGC, Black Clamping and White Peak Control
- Patented Decoding Scheme with Improved 2-Line Comb Filter, Y/C Separation
- NTSC M, N, and PAL (B, D, G, H, I, M, N, CN) Operation
- Composite or S-Video Input
- User-Selectable Color Trap and Low Pass Video Filters
- User Selectable Hue, Saturation, Contrast, Sharpness, and Brightness Controls
- User Selectable Data Transfer Output Modes
 - 16-Bit 4:2:2 YCbCr
 - 8-Bit 4:2:2 YCbCr
- User Selectable Clock Range from 20MHz - 30MHz
- I²C Interface
- VMI Compatible Video Data Bus

Applications

- Multimedia PCs
- Video Conferencing
- Video Editing
- Video Security Systems
- Settop Boxes (Cable, Satellite, and Telco)
- Digital VCRs
- Related Products
 - NTSC/PAL Encoders: HMP8154, HMP8156, HMP8171, HMP8173
 - NTSC/PAL Decoders: HMP8115

Description

The HMP8112 is a high quality, digital video, color decoder with internal A/D converters. The A/D function includes a 3:1 analog input mux, Sync Tip AGC, Black clamping and two 8-bit A/D Converters. The high quality A/D converters minimize pixel jitter and crosstalk.

The decoder function is compatible with NTSC M, PAL B, D, G, H, I, M, N and special combination PAL N video standards. Both composite (CVBS) and S-Video (Y/C) input formats are supported. A 2 line comb filter plus a user selectable Chrominance trap filter provide high quality Y/C separation. Various adjustments are available to optimize the image such as Brightness, Contrast, Saturation, Hue and Sharpness controls. Video synchronization is achieved with a 4xf_{SC} chroma burst lock PLL for color demodulation and line lock PLL for correct pixel alignment. A chrominance sub-sampling 4:2:2 scheme is provided to reduce chrominance bandwidth.

The HMP8112 is ideally suited as the analog video interface to VCR's and camera's in any multimedia or video system. The high quality Y/C separation, user flexibility and integrated phase locked loops are ideal for use with today's powerful compression processors. The HMP8112 operates from a single 5V supply and is TTL/CMOS compatible.

Ordering Information

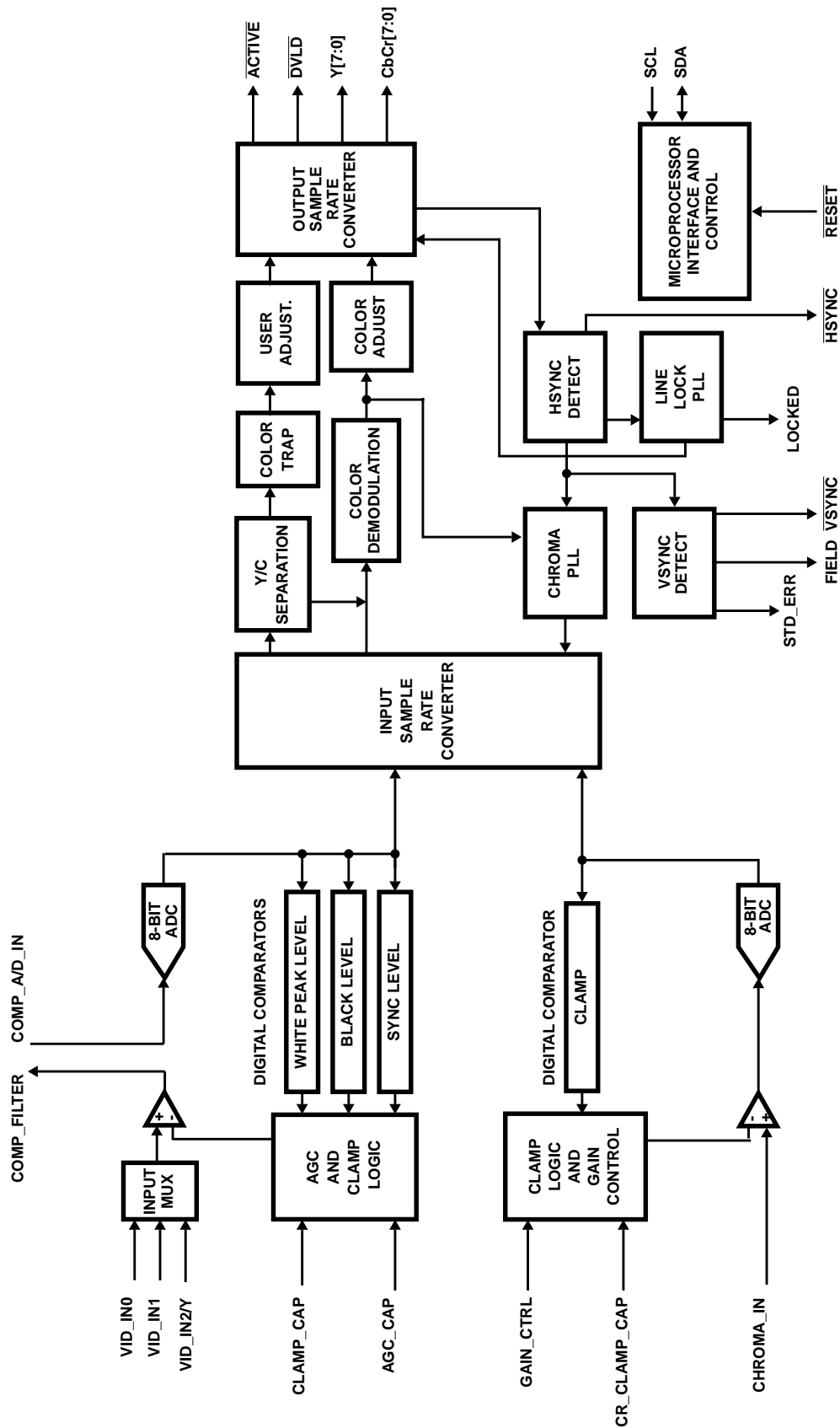
PART NUMBER	TEMP. RANGE (°C)	PACKAGE	PKG.NO.
HMP8112CN	0 to 70	80 Ld PQFP†	Q80.14x20
HMP8112EVAL2	PCI Reference Design (Includes Part)		
HMP8156EVAL2	Frame Grabber Evaluation Board (Includes Part)		

† PQFP is also known as QFP and MQFP

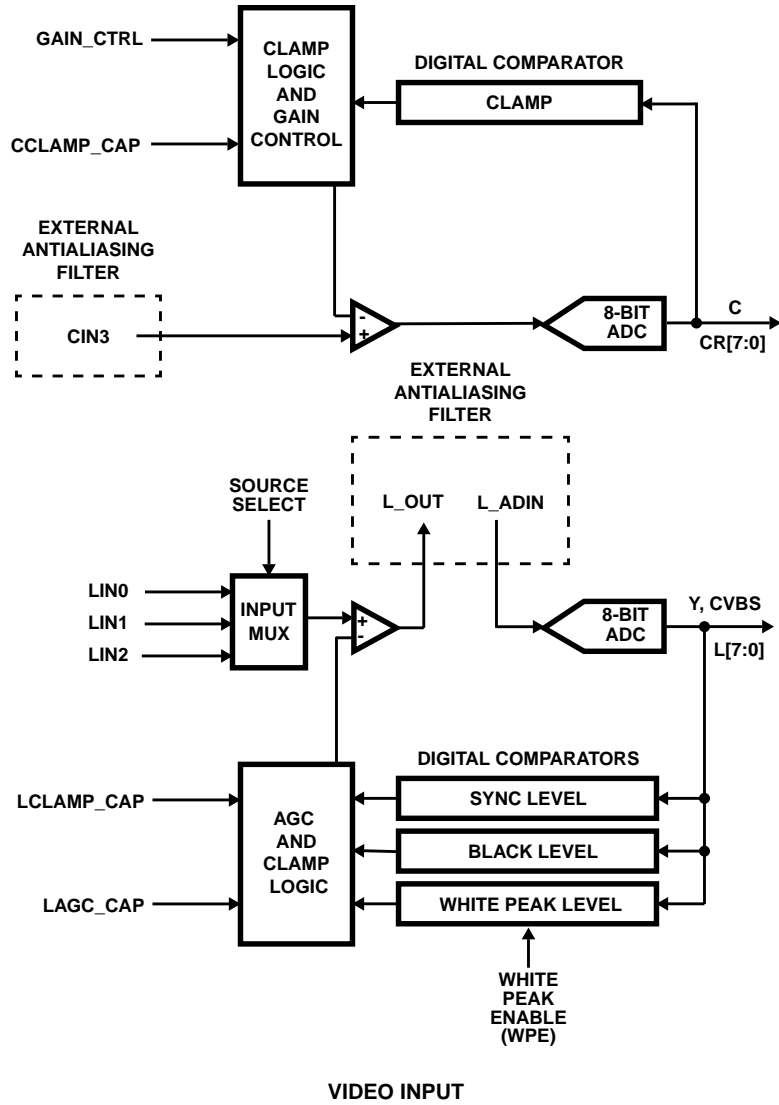
Table of Contents

	Page
Functional Block Diagrams	2
Functional Operation Introduction	6
Internal Register Description Tables	14
Pinout	21
Pin Descriptions	22
AC and DC Electrical Specifications	24
Typical Performance Curves	27
Applications Information	39
Package Dimensions	40

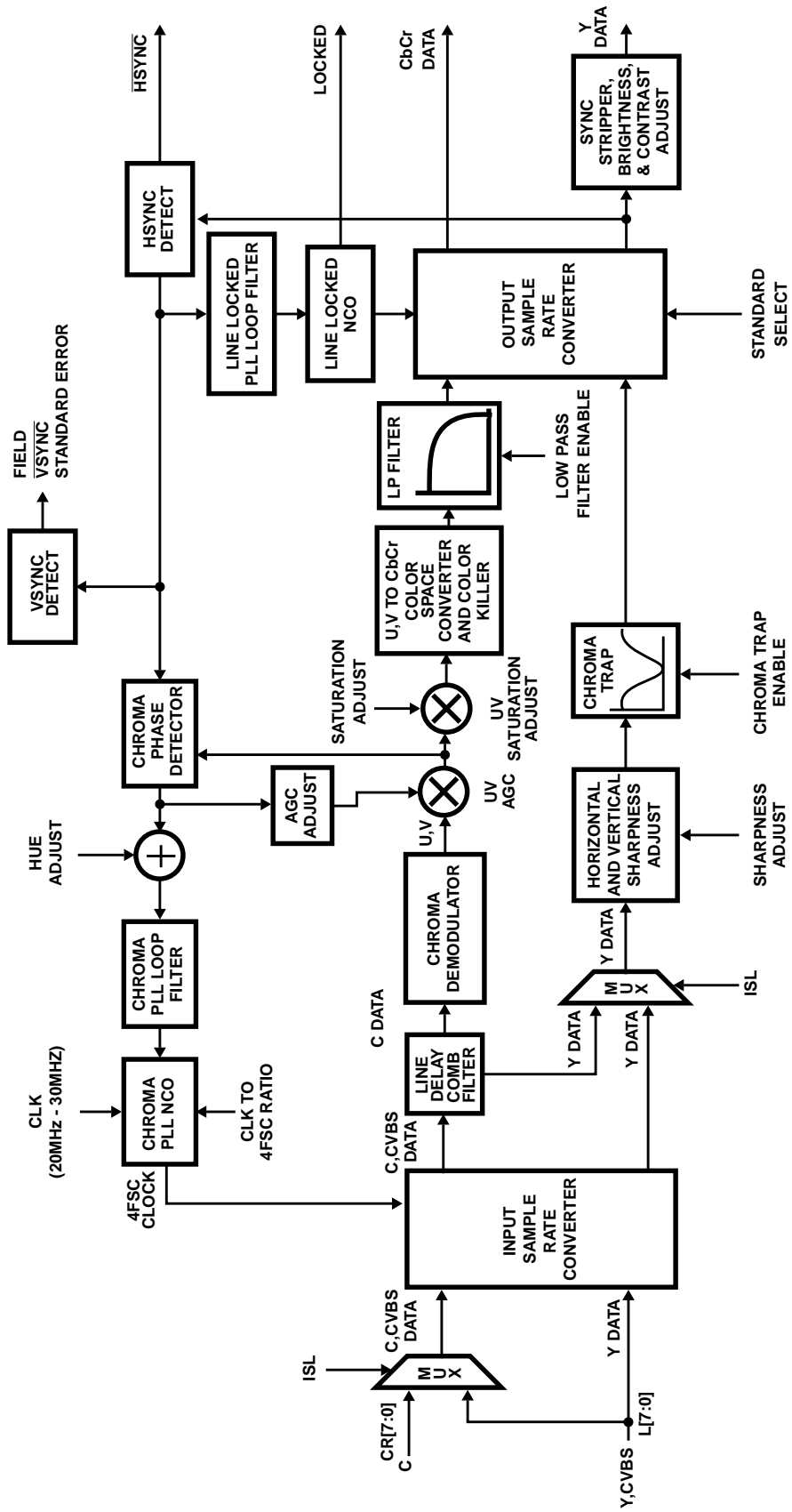
Functional Block Diagrams



Functional Block Diagrams (Continued)

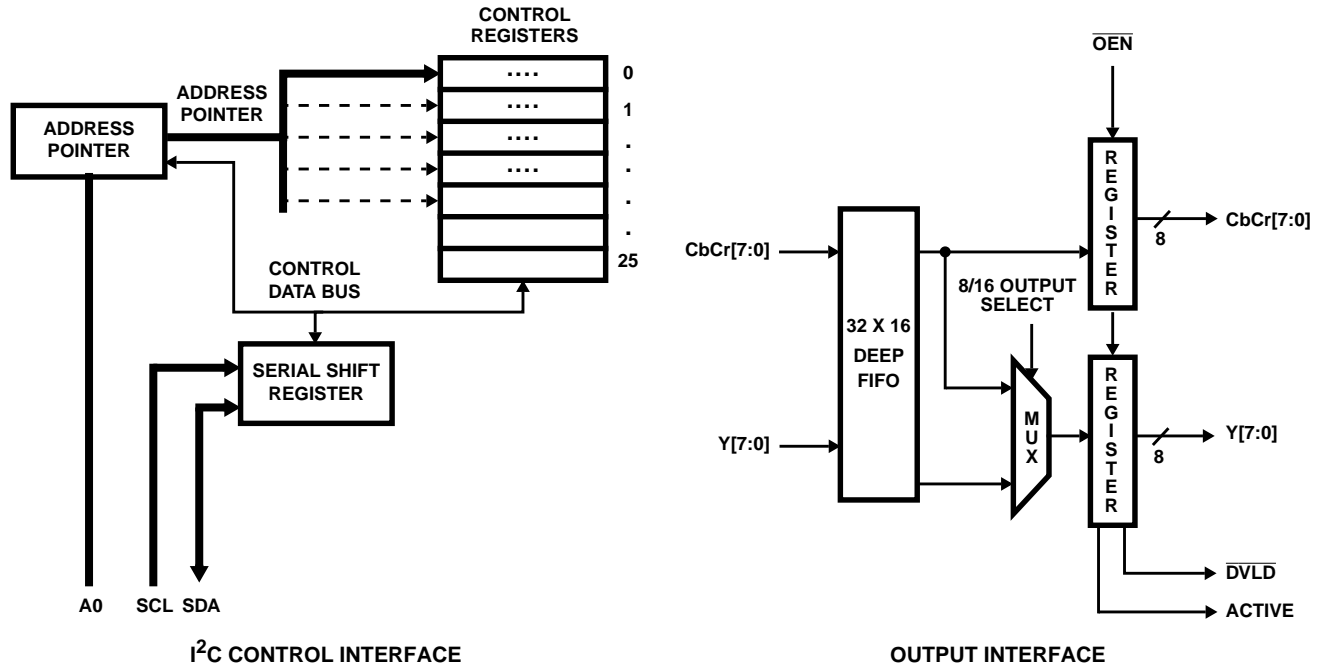


Functional Block Diagrams (Continued)

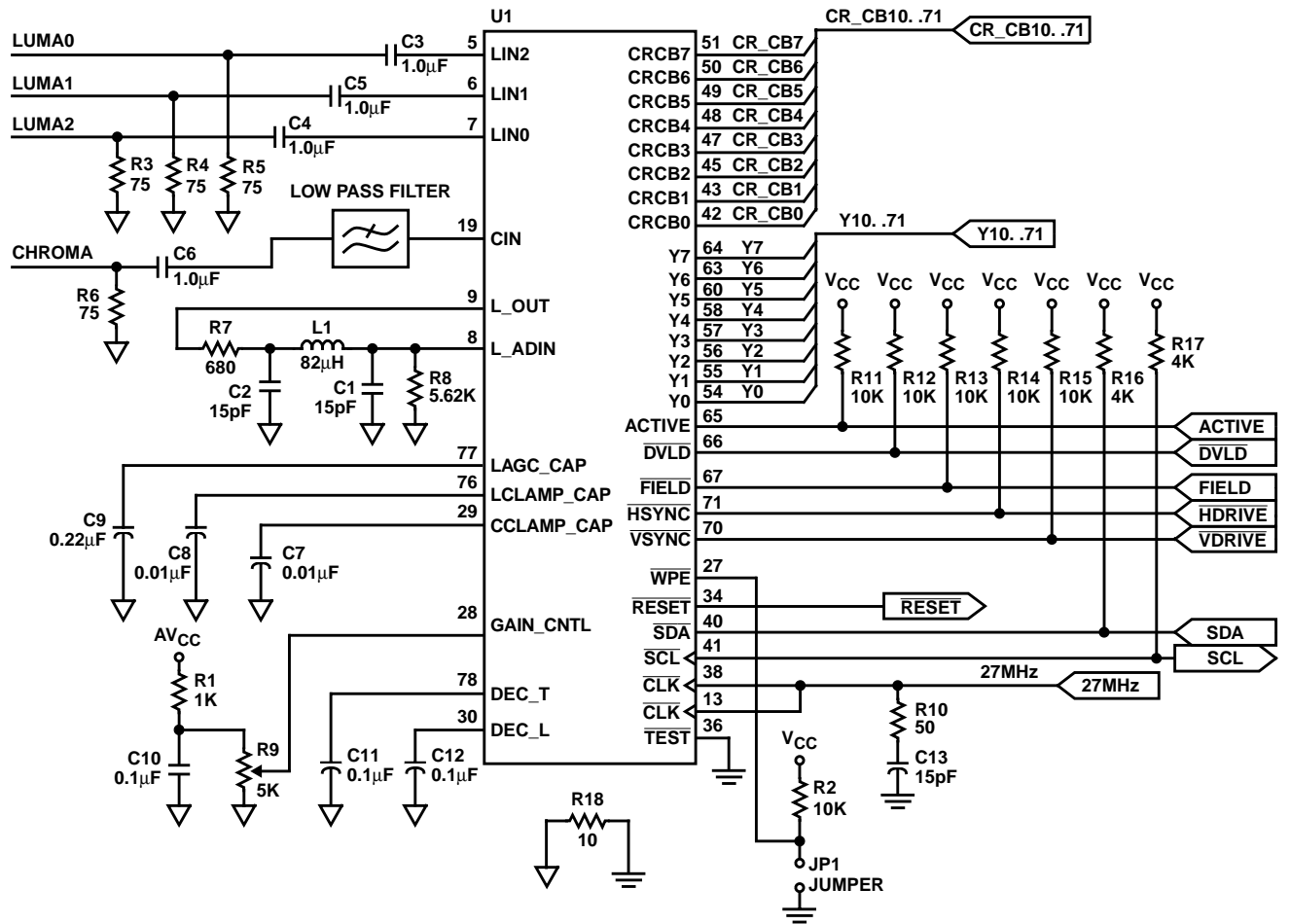


VIDEO DECODER

Functional Block Diagrams (Continued)



Schematic



Introduction

The HMP8112 is an NTSC/PAL compatible Video Decoder with both chroma burst and line locked digital phase locked loops. The HMP8112 contains two 8-bit A/D converters and an I²C port for programming internal registers.

Analog Video/Mux Inputs

The Luminance channel has three analog video inputs that can be used for composite or the Y input of a S-Video signal, and one analog input for chrominance. LIN2 is used with CIN to interface an S-Video input. Three composite or two composite and one S-Video inputs can be applied to the HMP8112 at any one time. Control of the analog front end is selected by bits 2 and 1 of the Video Input Control Register.

Anti-Aliasing Filter

An external anti-alias filter is required to achieve optimum performance and prevent high frequency components from being aliased back into the video image. For the LIN inputs a single filter is connected to L_OUT and L_ADIN. For CIN the anti-aliasing filter should be connected to the CIN input. A recommended filter is shown below.

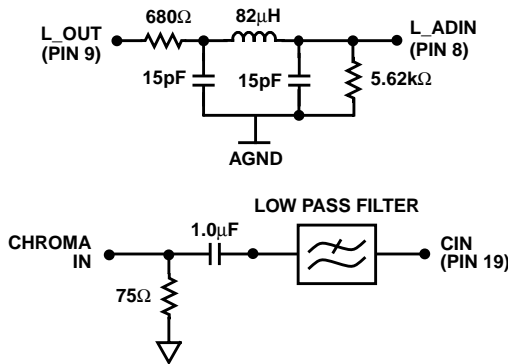


FIGURE 1. RECOMMENDED ANTI-ALIASING FILTER

AGC And Clamp Circuit

Inputs LIN0-2 contain a sync tip AGC amplifier. During the sync tip the value of the A/D is driven to code 0 by gaining up the video input signal. The sync tip AGC is sampled during the HAGC pulse time which is controlled by the HAGC Pulse Start Time and End Time registers. The LIN0-2 inputs apply a DC clamp reference to the back porch of the video. This is controlled by the DC-RESTORE Pulse Start Time and End Time Registers.

After a RESET, a change of the video standard, or a PLL Chrominance Subcarrier Ratio Register load, HAGC and DC RESTORE are overlapped, until LOCKED is asserted. (the PLL has acquired a stable line lock). This is the acquisition mode of the PLL where the decoder is trying to lock to a new video source. Once the PLL is LOCKED, HAGC and DC RESTORE are moved out to the default programmed values in the user programming registers. The HAGC should be set coincident to the incoming horizontal sync signal. The HAGC pulse should be set to a width of 2μs.

Once the PLL is locked the DC RESTORE signal is moved out to the default programmed values in the user program-

ming registers. The DC RESTORE pulse can be programmed with the DC RESTORE Start and End time control registers. DC RESTORE should be asserted 6.5μs after the falling edge of horizontal sync (0_HHSYNC) and held for a duration of 2μs. Both HAGC and DC RESTORE are synchronous to the output sample rate (OSR) converter and are clocked in OSR (pixel clock) clock periods. The OSR clock rate is dependent on the input standard used. See Table 1 for the register values used for the different video standards.

TABLE 1. HAGC AND DC RESTORE VALUES

VIDEO OUTPUT STANDARD	HAGC START/END VALUES	DC RESTORE START/END VALUES	HSYNC START/END VALUES
Square Pixel NTSC 640x480	02F8/0008 _H	0028/0040 _H	0020/0050 _H
CCIR601 NTSC 720x480	033F/0000 _H	0037/0052 _H	033B/0060 _H
CCIR601 PAL 720X512	033F/0000 _H	0037/0052 _H	033B/0060 _H
Square Pixel PAL 768X512	03A0/0018 _H	0040/0054 _H	0020/0070 _H

White Peak Enable

The white peak enable input, (WPE) enables or disables the white peak control. Enabled, (logic high) when the digital outputs exceed code 248, the AGC will reduce the gain of the video amplifier to prevent over-ranging the A/D. If disabled, the AGC operates normally, keeping the horizontal sync tip at code 0 and allowing the A/D's range to go to 255 at the maximum peak input.

NTSC/PAL Decoder

The NTSC/PAL decoder is designed to convert incoming Composite or Separated (SVHS, Y/C) video into its YCbCr component parts. The digital phase locked loops are designed to synchronize to the various NTSC/PAL standards. They provide a stable internal 4xf_{SC} (Frequency of the Color Sub-Carrier) video clock for color demodulation, and a line locked clock for vertical spatial pixel alignment.

The decoder uses the CLK to run the A/D converters and the phase locked loops. This asynchronous master clock for the decoder eliminates the need for a unique clock source in a Multimedia application. CLK can run from 20MHz to 30MHz when using the 16-bit Synchronous Data output Mode. The user must program the CLK to Color Sub-Carrier Ratio to match the CLK frequency used (see Internal Phase Locked Loops discussion). When using the 8-bit Burst Data Output Mode the CLK should be a 24.5454MHz, 27MHz or 29.5MHz depending on the output video standard chosen. The crystal oscillator must have a ±50ppm accuracy and a 60/40% duty cycle symmetry to ensure proper operation. Since the video data from the external A/D's are sampled at the CLK frequency a sample rate converter is employed to convert the data from the CLK rate to the

internal decoding frequency of $4xf_{SC}$.

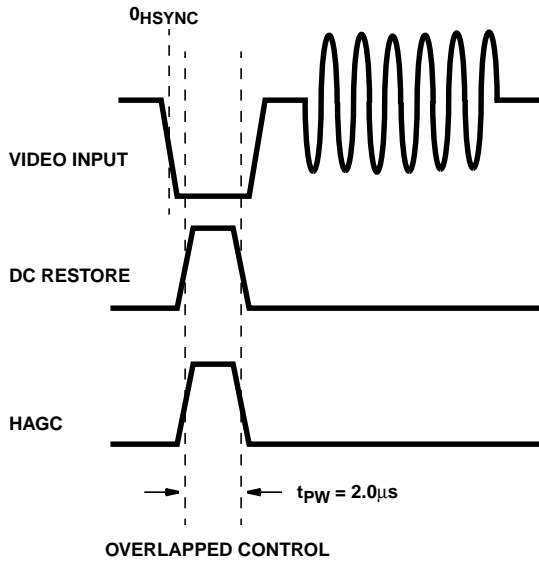


FIGURE 2A. PLL ACQUISITION MODE

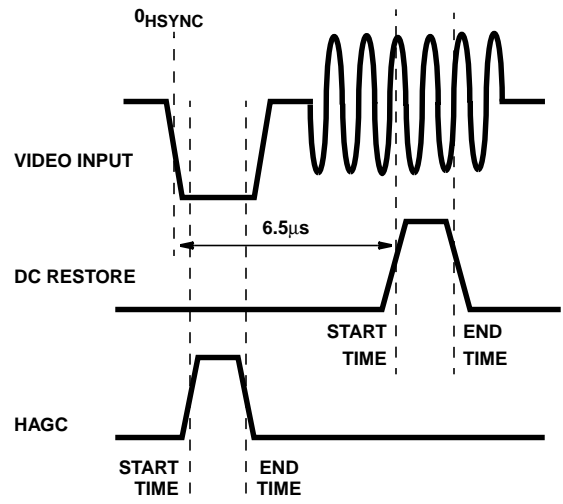


FIGURE 2B. PLL LOCKED MODE

The input sample rate converter will interpolate between existing CLK samples to create the chroma locked ($4xf_{SC}$) samples needed for the color decoder. An interpolation is done to create the $4xf_{SC}$ pixel and a correction factor is then applied..

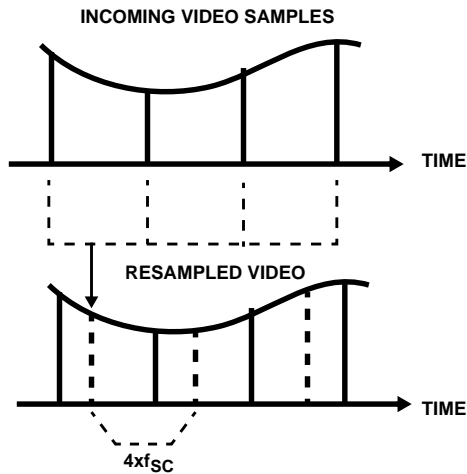


FIGURE 3. SAMPLE RATE CONVERSION

The decoder can be used with the following video sources:

Analog Composite - NTSC M, - PAL B, D, G, H, I, N
And Special Combination PAL N

Analog S - VHS (Y/C) - NTSC M, PAL B, D, G, H, I, N
And Special Combination PAL N

Color Separation, And Demodulation

To separate the chrominance modulated color information from the baseband luminance signal, a 2 line comb filter is employed. In NTSC signals the color information changes phase 180° from one line to the next. This interleaves the

chrominance information at half line intervals throughout the NTSC video spectrum. Therefore, NTSC has 227.5 cycles of chrominance per NTSC line. The half of a cycle causes the next reference burst to be 180° out of phase with the previous line's burst. The two line comb efficiently removes the chrominance information from the baseband luminance signal. When decoding NTSC, the decoder maintains full luminance bandwidth horizontally throughout the chrominance carrier frequency range. Unlike most 2 line comb filter separation techniques, vertical bandwidth is maintained by means of a proprietary transform technique.

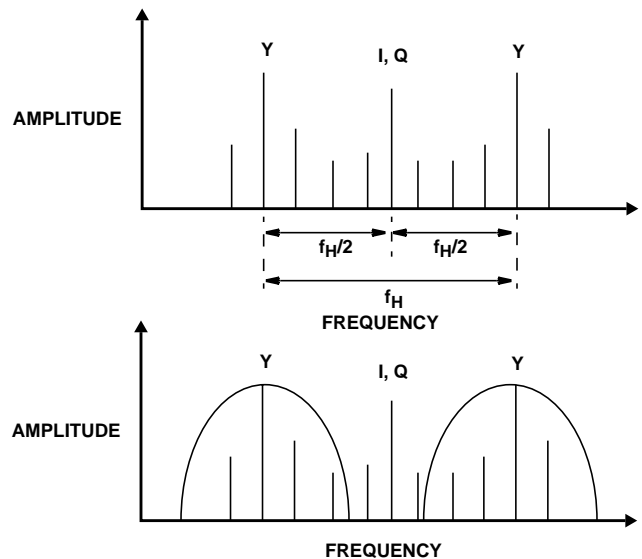


FIGURE 4. COMPOSITE NTSC INTERLEAVE SCHEME

For PAL systems there are 283.75 cycles of chrominance per line. Chrominance information is spaced at quarter line intervals with a reference phase of 135° . The reference

phase alternates from line to line by 90°. To fully separate the PAL chrominance and luminance signals the user selectable filters should be enabled. The chroma notch filter built into the luminance channel should be enabled for PAL systems to reduce cross luminance effects. The low pass filter in the chrominance processing chain helps to reduce cross color products.

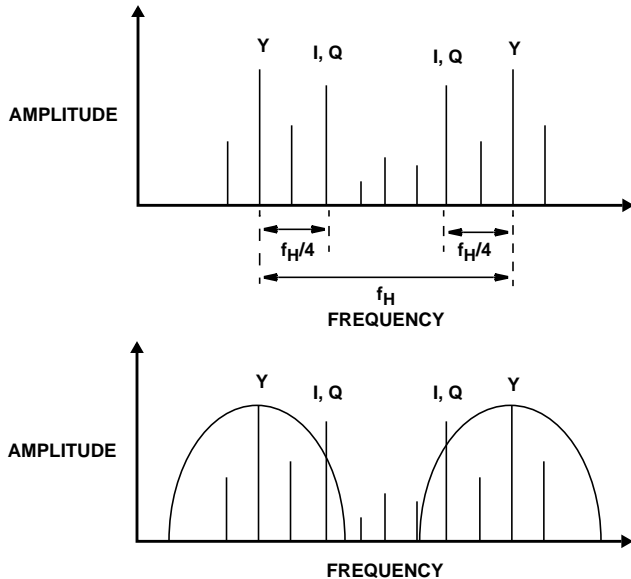


FIGURE 5. COMPOSITE PAL INTERLEAVE SCHEME

The demodulator in the decoder decodes the color components into U and V. The U and V components are converted to Cb and Cr components after the decoding process. YCbCr has a usable data range as shown in Figure 4. The data range for Y is limited to a minimum of 16.

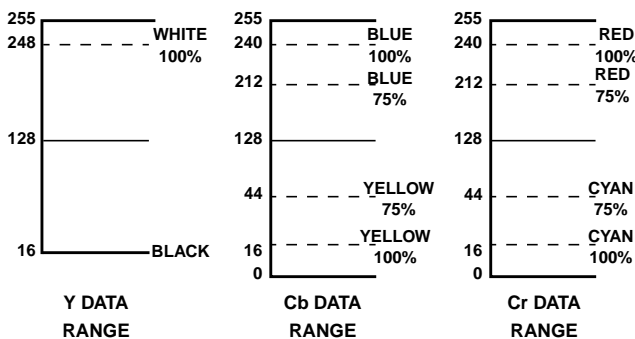


FIGURE 6. YCbCr DATA RANGES

The decoder is compatible with all NTSC and PAL video formats available throughout the world. Table 2 shows the compatible video standards.

Horizontal Sync Detection

Horizontal sync is detected in the Output Sample Rate converter (OSR). The OSR spatially aligns the pixels in the vertical direction by using the horizontal sync information embedded in the digital video data stream. The $\overline{\text{HSYNC}}$ sync pulse out of the decoder is a video synchronous output

pin. This signal follows the horizontal sync of an input video source. If there is no source the $\overline{\text{HSYNC}}$ pin will continue to run at video rates due to the Line Locked PLL free-running. $\overline{\text{HSYNC}}$ can be moved throughout the video line using the HSYNC Start and End time registers. This 10-bit register allows the HSYNC to be moved in OSR clock increments (12.27MHz, 13.5MHz or 14.75MHz).

Vertical Sync And Field Detection

The vertical sync and field detect circuit of the decoder uses a low time counter to detect the vertical sync sequence in the video data stream. The low time counter accumulates the low time encountered after the horizontal sync edge or at the start of each line. When the low time count exceeds the vertical sync detect threshold, $\overline{\text{VSYNC}}$ is asserted immediately. $\overline{\text{VSYNC}}$ will remain asserted for a minimum of 1 line. The FIELD flag is updated at the same time as the $\overline{\text{VSYNC}}$ line. The FIELD pin is a '0' for ODD fields and a '1' for even fields.

In the case of lost vertical sync or excessive noise that would prevent the detection of vertical sync, the FIELD flag will continue to toggle. Lost vertical sync is declared if after 337 lines a vertical sync period was not detected for 3 successive lines. When this occurs the phase locked loops are initialized to the acquisition state.

The $\overline{\text{VSYNC}}$ pulse out of the decoder follows the vertical sync detection and is typically 6.5 lines long. The $\overline{\text{VSYNC}}$ will run at the field rate of the selected video standard selected. For NTSC the field rate is 60Hz and for PAL the field rate is 50Hz. This signal will continue to run even in the event of no incoming video signal.

Internal Phase Locked Loops

The HMP8112 has two independent digital phase locked loops on chip. A chroma phase-locked loop is implemented to maintain chroma lock for demodulation of the color channel, and a line locked phase lock loop is implemented to maintain vertical spatial alignment. The phase locked loops are designed to maintain lock even in the event of VCR headswitches and multipath noise.

The HMP8112 can use a main crystal (CLK) of 20MHz to 30MHz. The crystal is used as a reference frequency for the internal phase locked loops. The ratio of the crystal frequency to the video standard is programmed into an internal register for the PLLs to correctly decode video.

The HMP8112 decoder contains 2 sample rate converters and 2 phase locked loops that lock to the incoming video. The input sample rate converter synchronizes the digitized video from the CLK rate to a $4xf_{SC}$ rate. The chrominance is separated from the luminance and then demodulated. The Chroma phase locked loop uses the CLK source as the PLL reference frequency. To initialize the chroma PLL, the CLK to $4xf_{SC}$ ratio must be loaded. For example, if the CLK was 27MHz and the video signal is NTSC ($4 \times 3.579545\text{MHz} = 14.318\text{MHz}$) then the ratio loaded is 0.5302895 in 16-bit precision.

TABLE 2. COMPATIBLE VIDEO INPUT STANDARDS

STANDARD	COLOR SUBCARRIER f_{SC}	NUMBER OF FIELDS PER SECOND	NUMBER OF VERTICAL LINES	LINE FREQUENCY	NOMINAL BANDWIDTH	BLACK SETUP TO BLANK
NTSC M	3.579545MHz	60Hz	525	15,734 ($\pm 0.0003\%$)	4.2MHz	7.5 IRE
PAL B, D, G, H, I	4.43361875MHz	50Hz	625	15,625 ($\pm 0.02\%$)	5.0MHz	0 IRE
PAL M	3.579545MHz	60Hz	525	15,750 ($\pm 0.0003\%$)	4.2MHz	7.5 IRE
PAL N	4.43361875MHz	50Hz	625	15,625 ($\pm 0.15\%$)	4.2MHz	7.5 IRE
Special Combination PAL N	3.58205625MHz	50Hz	625	15,750 ($\pm 0.15\%$)	4.2MHz	7.5 IRE

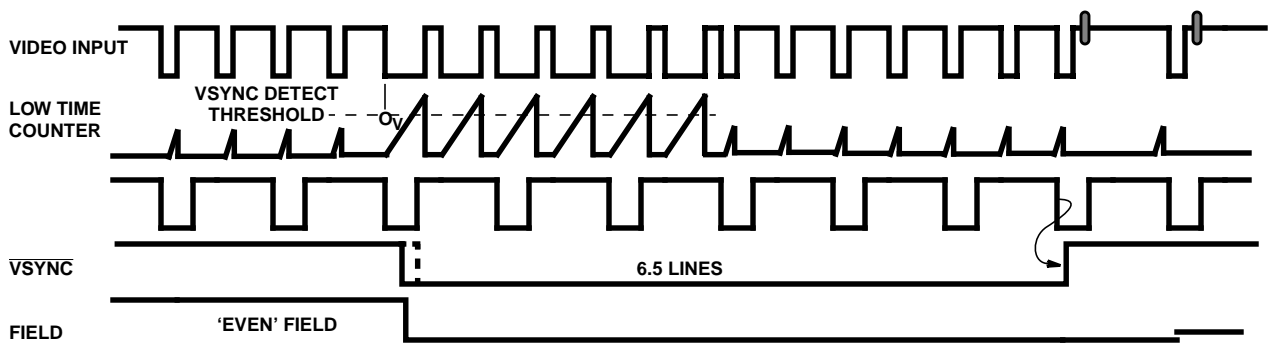


FIGURE 7. VSYNC TIMING AND THE EVEN TO ODD TRANSITION

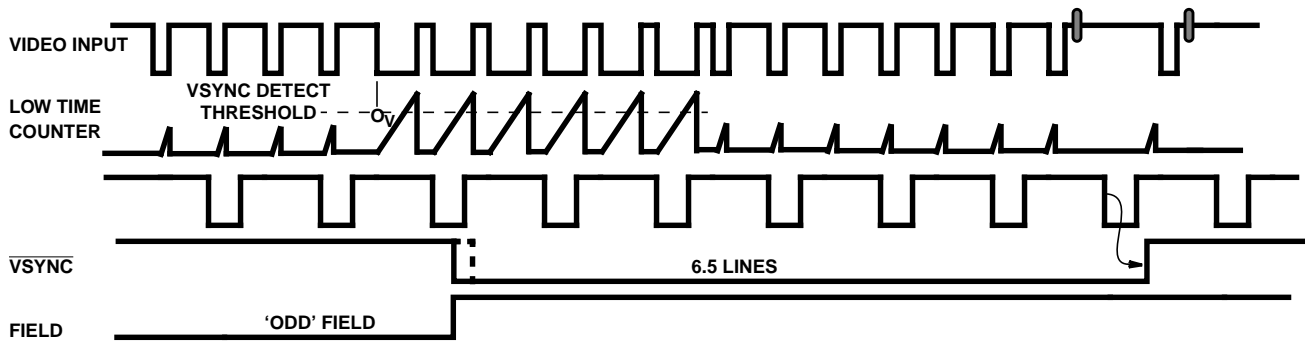


FIGURE 8. VSYNC TIMING AND THE ODD TO EVEN TRANSITION

$(4 \times f_{SC})/CLK = \text{Chroma PLL Value}$
 $(4 \times 3.579545\text{MHz}) / 27\text{MHz} = 0.5302895$

This value must be loaded to correctly separate and decode the video signal. A default Chroma PLL Value is used after a system RESET is applied. The default assumes a CLK of 27MHz and NTSC as the video standard. The default value is 0.5302895. An ideal $4 \times f_{SC}$ line should have 910 pixels for NTSC and 1135 for PAL.

The Output Sample rate converter is locked to the horizontal line frequency and is used to spatially align pixels in a field. The LOCKED flag signals when the phase locked loop is within a ± 4 pixel range of the horizontal sync edge. When line errors exceed that range the LOCKED flag is cleared.

In cases where VCRs are used in Pause, Fast Forward or Fast Reverse, lines are typically dropped or added by the VCR. In a worst case scenario a VCR line tolerance will vary by $\pm 8\%$. The standard detect logic checks the line count against the given standard to determine an error. VCRs in trick mode cannot cause a standard error. With an NTSC standard VCR the number of lines in a field should not exceed 285. Greater than 285 lines in a field is interpreted as a PAL video source. An ideal NTSC source should have 262.5 lines per field and a PAL source should have 312.5 lines per field.

The HMP8112 can detect a STANDARD Error that signals when the video received does not match the standard that was programmed into the Video Input Control Register. This

flag, when asserted, tells the user that the video standard that was expected was not found and a different standard should be selected in the Video Input Control register. The error flag is cleared after a $\overline{\text{RESET}}$ or after the Chroma PLL Clock Ratio register has been loaded via the I²C bus. After the flag is cleared the standard error logic verifies the video standard. The error flag is set after 2 vertical sync periods have passed and the line count did not match the expected line count.

Video Adjustments

The HMP8112 allows the user to vary such video parameters as Contrast, Brightness, Sharpness, Hue and Color Saturation. These adjustments can be made via the I²C interface. Contrast, brightness and sharpness are luminance controls. The full dynamic range of the luminance channel can be used by selecting the IRE setup cancellation mode. This mode will remove the IRE setup and blanking level offset to take advantage of the full dynamic range of the luminance processing path. The sharpening filters allow the enhancement of low, mid and high frequency components of the luminance signal to compensate for low amplitude video. Vertical sharpness is also controlled via the I²C interface. Hue and Color saturation controls enhance the CbCr components of the incoming video, all under user control.

TABLE 3. USER CONTROLLED SETTINGS

USER VIDEO SETTINGS
Brightness
Contrast
Hue or Tint
Horizontal Sharpness
Vertical Sharpness
Color Saturation

Luminance Adjustments

The Luminance data can be adjusted in the HMP8112. The user can adjust brightness and contrast of the Y or luminance data. The user can also set the IRE or setup subtraction value to eliminate the black pedestal offset from NTSC signals. The Contrast adjustment range can exceed a value of one so as to take full advantage of the 8-bit dynamic range for Y. The user control settings executes the equation

$$Y_{OUT} = (Y - \text{IRE Setup} + \text{BRIGHTNESS}) \times \text{CONTRAST}$$

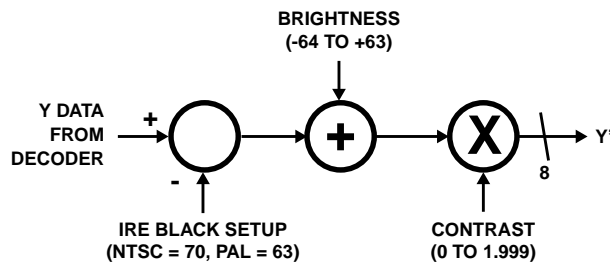


FIGURE 9. LUMINANCE CONTROL SETTINGS PATH

Brightness

The user can control the brightness of the incoming video by programming the Brightness register. The brightness adjustment will offset the Y component. The brightness register is an 8-bit register where the bottom 7 bits are brightness control and the top bit is the IRE setup. The IRE setup for NTSC is 70 and the setup for PAL is 63.

When the IRE bit is set (1) then the value of 70 is subtracted from the Y data, and if the IRE bit is cleared (0) then the values of 63 is subtracted. The brightness control bits BR[6-0] will brighten the picture as the value is increased. BR = -64 is the darkest and BR = +63 is the brightest. The default value of the register after a $\overline{\text{RESET}}$ is 0 (80_H).

Contrast

The contrast adjustment will allow the user to increase and decrease the gain of the Y data. The contrast factor is an 8-bit number (as shown below) that ranges from 0 to 1.999.

X.XXXXXXX

The default value after a $\overline{\text{RESET}}$ is 1.47 (BD_H).

Hue or Tint Adjust

The Hue adjustment is applied to the U and the V color difference signal. The Hue adjusts the phase of the given UV data. The Hue can be adjusted by $\pm 30^\circ$ in $1/4^\circ$ increments. This is achieved by changing the Burst Phase Locked reference point. Figure 10 shows the block diagram for the color adjustment section. This default value for this register is 0 (00_H).

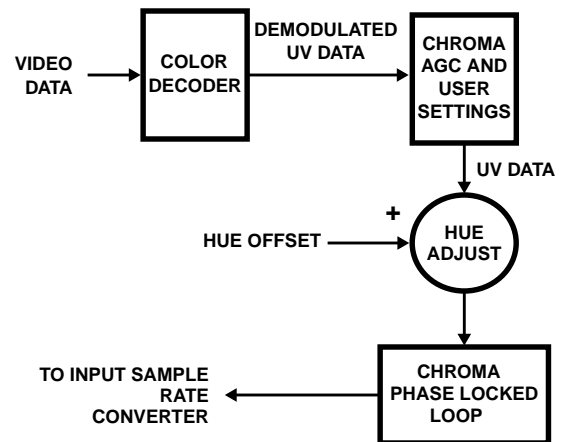


FIGURE 10. HUE ADJUST BLOCK DIAGRAM

Horizontal/Vertical Sharpness

The frequency characteristics of the video waveform can be altered to enhance the sharpness of the picture. The Horizontal Sharpness register acts as a 4 band equalizer where the amplitude of specific frequency ranges can be enhanced or diminished. The Sharpness Control Register allows the Low (LF), Mid (MF) and High Frequency (HF) bands of the luminance signal to be enhanced. Vertical Sharpness can be adjusted to 1 or a factor of 0. The $\overline{\text{RESET}}$ default is a factor of 1.0

The 2-bit values allow 4 choices of scaling factors. The sharpness control helps to compensate for losses in the scaling interpolators that can reduce the amplitude of high frequency components.

TABLE 4. SHARPNESS GAIN FACTOR SELECTS

XF1	XF0	GAIN FACTOR
0	0	SCALED BY 1.0
0	1	SCALED BY 2.0
1	0	SCALED BY 4.0
1	1	SCALED BY 0

The Color Killer (AGC Hysteresis and Loop Limits)

The color killer will disable the color difference path and set the U and V components to zero. The automatic color killer circuitry uses the AGC threshold to determine the maximum and minimum gain factor limits. The loop filter determines how much the AGC gain factor can be changed within one line. The maximum gain factor (Max = 8) and the minimum gain factor (Min = 0.5) will limit the range of the AGC. When the gain factor exceeds the maximum gain factor of 8, the gain factor is limited to 8. Once the signal has an amplitude of 1/16th, the nominal video the color killer is enabled and the chroma phase locked loop holds it's last phase reference. While the color killer is enabled, the U and V components are forced to zero. Once the input video signal reaches 1/7th the optimum amplitude the color killer is disabled and the color is returned.

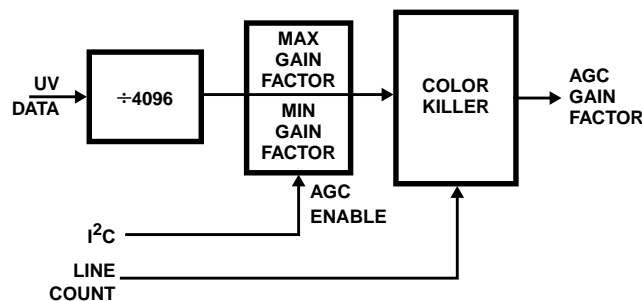


FIGURE 11. LOOP FILTER BLOCK DIAGRAM (HYSTERESIS)

The dynamic range of the AGC allows it to compensate for video that is 1/8 to 2 times the specified nominal of 1V_{p-p}.

Saturation

The color saturation component is controlled via the Color Saturation Registers. The color saturation is applied to the UV components after the AGC function. The saturation value is multiplied by the UV data to increase the color intensity. The data range is from 0 to 1.96875 where 1.96875 is the brightest intensity. This is an 8-bit number in the form:

X.XXX XXXX

The default value after a RESET is 1.2074 (9D_H).

I²C Control Interface

The HMP8112 utilizes an I²C control bus interface to program the internal configuration registers. This standard mode (up to 100 KBPS) interface consists of the bidirectional Serial Data Line (SDA) and the Serial Clock Line (SCL). The implementation on the HMP8112 is a simple slave interface that will not respond to general calls and cannot initiate a transfer. When the device is not active, the SDA and SCL control pins should be pulled high through external 4kΩ pullup resistors.

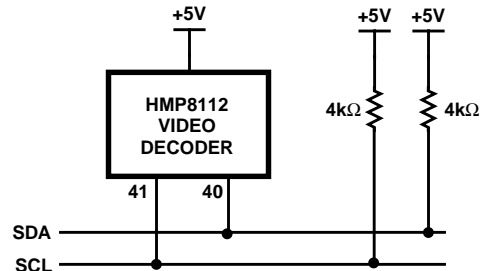


FIGURE 12. PULLUP RESISTOR CONFIGURATION

The I²C clock/data timing is shown below in Figure 13. The HMP8112 contains 29 internal registers used to program and configure the Decoder. The I²C control port contains a pointer register that auto-increments through the entire register space and can be written. The autoincrement pointer will wrap after the last register has been accessed (Product ID Register) and should be set to the desired starting address each time an access is started. For a write transfer, the I²C device base address is the first part of a serial transfer. Then the internal register pointer is loaded. Then a series of registers can be written. If multiple registers are written, the pointer register will autoincrement up through the register address space. A stop cycle is used to end the transfer after the desired number of registers are programmed.

For a read transfer, the I²C device address is the first part of the serial transfer. Then the internal register pointer is loaded. At this point another start cycle is initiated to access the individual registers. Figure 14 shows the programming flow for read transfer of the internal registers. Multiple registers can be read and the pointer register will autoincrement up through the pointer register address space. On the last data read, an acknowledge should not be issued. A stop cycle is used to end the transfer after the desired number of registers are read.

Product ID Register

The HMP8112 contains a product ID register that can be used to identify the presence of a board during a Plug 'n Play detection software algorithm. The Product ID code is 12_H and the register is the last register in the HMP8112 (1B_H).

Output Data Port Modes

The HMP8112 can output data in 2 formats, an 8-bit Burst mode and a 16-bit Synchronous Pixel Transfer mode. In 16-bit Synchronous Pixel Transfer Mode pixel data is output at the

CLK frequency and Table 5 shows the number of data points per video line to expect for a given standard. Data is output as 4:2:2 subsampled data in a Y-Cb/Y-Cr 16-bit sequence. The Data Valid (\overline{DVLD}) flag is asserted when video data is present on the 16-bit output port of the HMP8112 (Y[7:0], CbCr[7:0]). The ACTIVE flag is asserted when the active video portion of the horizontal scan line is present on the data output port. See Figure 15 for Synchronous Pixel Transfer Mode timing. \overline{DVLD} is asserted every time the output sample rate converter has a valid output. When \overline{DVLD} and ACTIVE are used together the visual portion of the image can be captured. When \overline{DVLD} is used alone all valid data during the Horizontal, Vertical and Reference Burst Timing are available. ACTIVE is asserted from lines 22 through 262.5 and lines 285.5 through 525 for NTSC (and PAL M). Active is asserted from lines 23.5 through 310 and lines 336 through 623.5 for PAL (B, D, G, H, I, N, Comb N).

The CLK can be run on a 20MHz - 30MHz clock source. Data will be output (on average) at the Output Data Rate shown in Table 5 for a given standard. Data is clocked out synchronous to CLK and will come in bursts. To smooth out the data rate to a regular rate a CLK of 2X the average output data rate can be used. In the 16-bit pixel transfer, data is sequenced on the CbCr[7:0] data bus, starting with Cb and then Cr.

TABLE 5. OUTPUT MODE STANDARDS

STANDARD	OUTPUT DATA RATE	ACTIVE PIXELS/ LINE	TOTAL PIXELS/ LINE	TOTAL LINES/ FIELD
NTSC Square Pixel	12.27MHz	640	780	262.5
NTSC CCIR 601	13.5MHz	720	858	262.5
PAL B, D, G, H, I, N, COMB N, CCIR601	13.5MHz	720	864	312.5
PAL M CCIR 601	13.5MHz	720	858	262.5
PAL B, D, G, H, I, N Square Pixel	14.74MHz	768	944	312.5
PAL M Square Pixel	14.74MHz	640	780	312.5

For Burst Mode output format the Y[7:0] output bus is used to transfer all YCbCr data in 8-bit format. The data is also 4:2:2 subsampled but will only contain the active video portion of the line. The HMP8112 uses an internal 32 deep fifo to handle latencies between the output sample rate and the CLK frequency. In this mode, the data is clocked out at the CLK rate and only clock frequencies of 24.5454MHz, 27MHz and 29.5MHz can be used. In 8-bit data mode, the data is sequenced on the Y[7:0] bus in Cb, Y, Cr, Y format. ACTIVE is asserted as soon as the mode is selected. \overline{DVLD} when asserted indicates a valid active pixel is available. Pixels during the horizontal and vertical blanking are not available. Only the active portions of the video line are output.

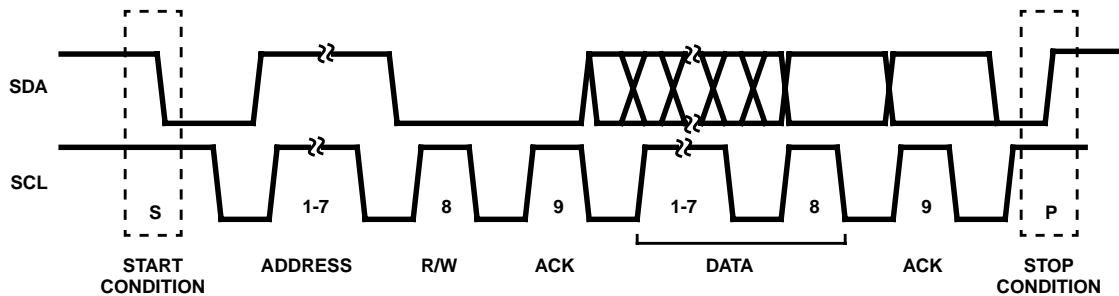


FIGURE 13. I²C SERIAL TIMING FLOW

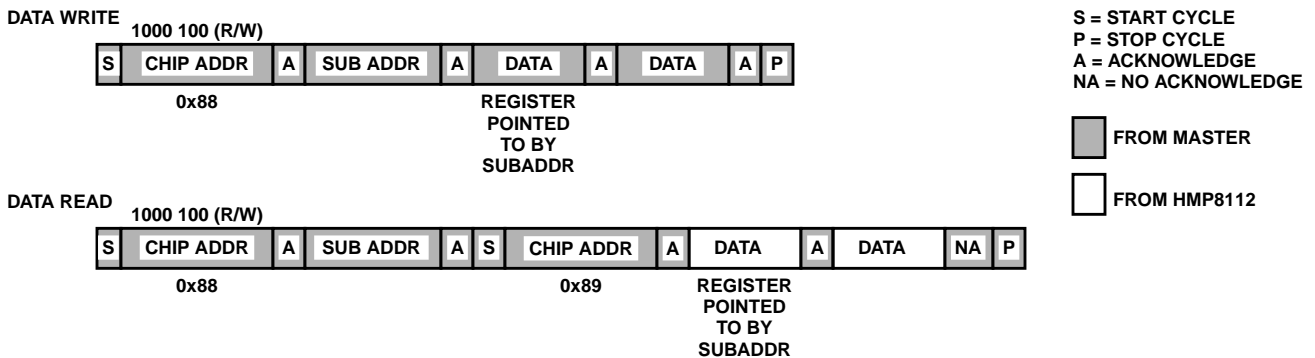


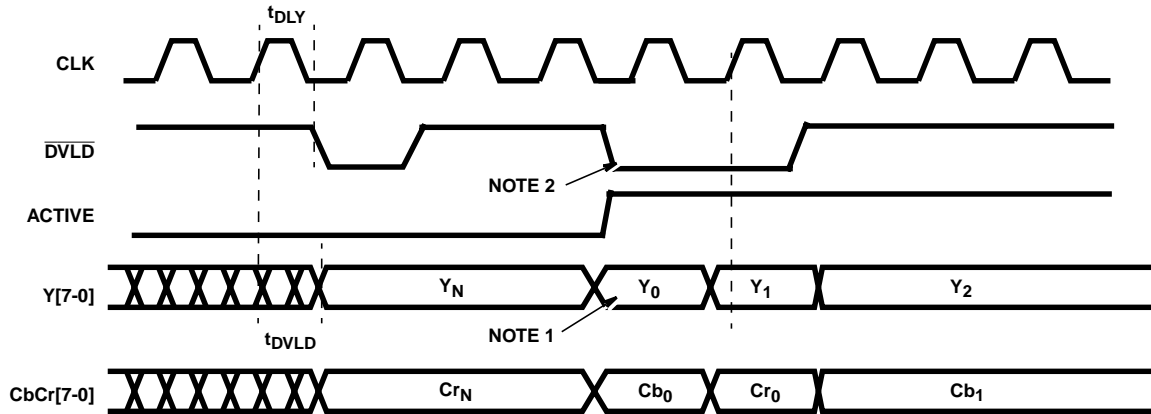
FIGURE 14. REGISTER WRITE PROGRAMMING FLOW

Reset

The $\overline{\text{RESET}}$ pin is used to return the decoder to an initialization state. This pin should be used after a power-up to set the part into a known state. The internal registers are returned to their $\overline{\text{RESET}}$ state and the Serial I²C port is returned to inactive state. The $\overline{\text{RESET}}$ pin is an active low signal and should be asserted for minimum of 1 CLK cycle. After a $\overline{\text{RESET}}$ or a software reset has occurred all output pins are three-stated. The following pins must be pulled high to ensure proper operation:

- $\overline{\text{HSYNC}}$
- $\overline{\text{VSYNC}}$
- $\overline{\text{DVLD}}$
- ACTIVE
- FIELD

A 10K or smaller pullup resistor to V_{CC} is recommended.



NOTES:

1. Y0 is the first active luminance pixel of a line. Cb0 and Cr0 are first active chrominance pixels in a line. Cb and Cr will alternate every cycle due to the 4:2:2 subsampling.
2. Active is asserted for lines 22-262.5 and 285.5-525. DVLD is asserted for every valid pixel during both active and blanking regions. DVLD is asserted during vertical and horizontal sync.

FIGURE 15A. OUTPUT TIMING 16-BIT MODE

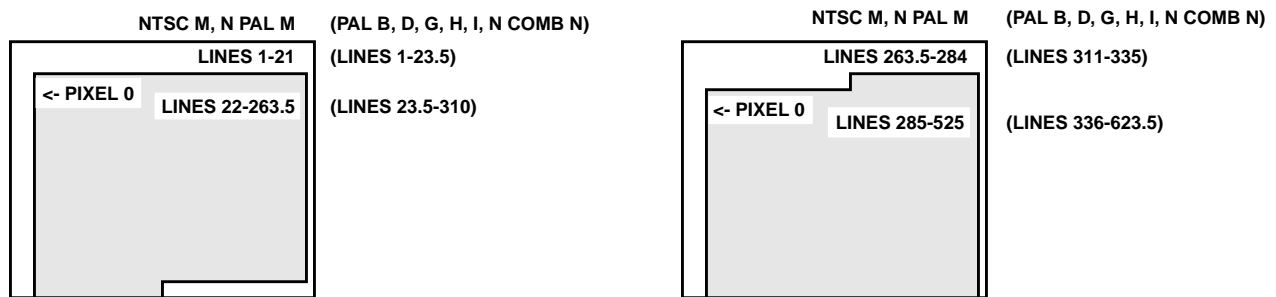


FIGURE 15B. ACTIVE VIDEO REGIONS IN 16-BIT MODE

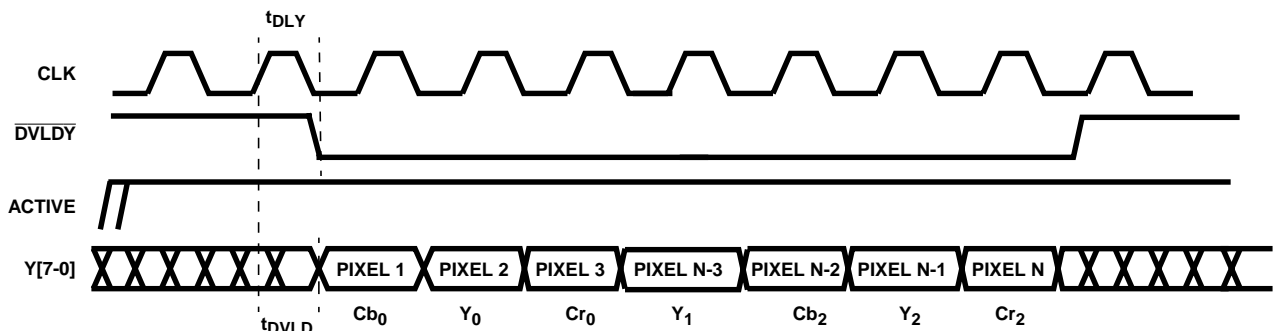


FIGURE 16. OUTPUT TIMING 8-BIT MODE

HMP8112

TABLE 6. VIDEO INPUT CONTROL

DESTINATION ADDRESS = 00 _H			
BIT NUMBER	FUNCTION	DESCRIPTION	RESET STATE
7 - 6	Video Input Standard	These bits select the video input standard. 00 = PAL B, G, H, I, N; 4.43MHz subcarrier; 50fps; 625 lines/frame; 01 = PAL M; 3.58MHz subcarrier; 60fps; 525 lines/frame; 10 = Special PAL N; 3.58MHz subcarrier; 50fps; 625 lines/frame; 11 = NTSC M; 3.58MHz subcarrier; 60fps; 525 lines/frame (default);	11 _B
5	Color Trap Filter Disable	This bit enables the color subcarrier trap filter. The filter removes the color subcarrier information from the luminance channel. The filter should be enabled for PAL Standard systems. 0 = Enabled 1 = Disabled (default)	1 _B
4	Chrominance Low Pass Filter Disable	This bit enables the chrominance low pass filter. This filter band limits the chrominance channel to remove luminance artifacts. This filter should be enabled for PAL Standard systems. 0 = Enabled 1 = Disabled (default)	1 _B
3	Automatic Color Gain Control	This bit enables the color AGC function. When this bit is set the color AGC will automatically adjust the chrominance channel gain, to drive the color reference burst to a nominal ± 20 IRE's. When this bit is cleared the color AGC gain factor is set to 1.0 and the color saturation must be adjusted to obtain nominal CrCb values. 0 = Disabled 1 = Enabled (default)	1 _B
2 - 1	A/D Converter Multiplexor Selects	These bits control the A/D input select multiplexers and whether S-Video is being input as follows: MUXSEL1,0 = 0, 0 = Select Composite Video Input #0, set decoder for Composite 1, 0 = Select Composite Video Input #1, set decoder for Composite 0, 1 = Select Composite Video Input #2, set decoder for Composite 1, 1 = Select S-Video Y and C Inputs	00 _B
0	Not Used	Write Ignored, Read 0's	X _B

TABLE 7. LUMINANCE BRIGHTNESS CONTROL

DESTINATION ADDRESS = 01 _H			
BIT NUMBER	FUNCTION	DESCRIPTION	RESET STATE
7	IRE Setup Cancellation Control	This bit enables the black setup cancelation circuit for NTSC sources. When this bit is set a value of 73 is used to strip the sync information from the video signal. When this bit is cleared a value of 64 is used to strip the sync information. 0 = subtract 64 from the luminance signal 1 = subtract 73 from the luminance signal	1 _B
6 - 0	Luminance Brightness Control	These bits control the brightness adjustment to the luminance channel. The brightness adjustment value is a number that ranges from +63 to -64. This register is in the two's complement format, where bit 6 is the sign bit.	000 0000 _B

TABLE 8. LUMINANCE CONTRAST ADJUST REGISTER

DESTINATION ADDRESS = 02 _H			
BIT NUMBER	FUNCTION	DESCRIPTION	RESET STATE
7 - 0	Luminance Contrast Adjust Factor	This register sets the contrast adjust factor. This value is multiplied by the luminance data and allows the data to be scaled from 0 to a factor of +1.96875. This 8-bit number is a fractional number as shown below: $2^0 2^{-1} 2^{-2} 2^{-3} 2^{-4} 2^{-5} 2^{-6} 2^{-7}$ The contrast factor is applied after the brightness.	1011 1101 _B

TABLE 9. HUE ADJUST REGISTER

DESTINATION ADDRESS = 03 _H			
BIT NUMBER	FUNCTION	DESCRIPTION	RESET STATE
7 - 0	Hue Phase Adjust	This register sets the hue phase offset adjustment. This 8-bit number is applied as a phase offset to the CbCr data coming out of the demodulator. This 8-bit number is in the range of +127 to -128. The hue adjust has a range of 30° with each count in this register allowing a 0.25° phase adjustment. This register is in two's complement format, where bit 7 is the sign bit.	0000 0000 _B

TABLE 10. LUMINANCE SHARPNESS CONTROL REGISTER

DESTINATION ADDRESS = 04 _H			
BIT NUMBER	FUNCTION	DESCRIPTION	RESET STATE
7 - 6	High Frequency Enhancement Factor	These bits adjust the amplitude of high frequency components in the luminance video signal. The attenuation or multiplication of the high frequency components is adjusted as shown below: 00 = Multiply high frequency components by 1.0 01 = Multiply high frequency components by 2.0 10 = Multiply high frequency components by 4.0 11 = Zero out high frequency components.	00 _B
5 - 4	Middle Frequency Enhancement Factor	These bits adjust the amplitude of middle frequency components in the luminance video signal. The attenuation or multiplication of the middle frequency components is adjusted as shown below: 00 = Multiply middle frequency components by 1.0 01 = Multiply middle frequency components by 2.0 10 = Multiply middle frequency components by 4.0 11 = Zero out middle frequency components.	00 _B
3 - 2	Low Frequency Enhancement Factor	These bits adjust the amplitude of low frequency components in the luminance video signal. The attenuation or multiplication of the low frequency components is adjusted as shown below: 00 = Multiply low frequency components by 1.0 01 = Multiply low frequency components by 2.0 10 = Multiply low frequency components by 4.0 11 = Zero out low frequency components.	00 _B
1 - 0	Vertical High Frequency Enhancement Factor	These bits adjust the amplitude of vertical high frequency components in the luminance video signal. The attenuation or multiplication of the vertical high frequency components is adjusted as shown below: 00 = Multiply vertical high frequency components by 1.0 01 = Reserved. 10 = Reserved. 11 = Zero out vertical high frequency components.	00 _B

HMP8112

TABLE 11. COLOR SATURATION ADJUST FACTOR

DESTINATION ADDRESS = 05 _H			
BIT NUMBER	FUNCTION	DESCRIPTION	RESET STATE
7 - 0	Color Saturation Adjust Factor	This register sets the color saturation adjust factor. This value is multiplied by the chrominance (CbCr) data and allows the data to be scaled from 0 to a factor of +1.96875. This 8-bit number is a fractional number as shown below: $2^0 2^{-1} 2^{-2} 2^{-3} 2^{-4} 2^{-5} 2^{-6} 2^{-7}$ The contrast factor is applied after the brightness.	1001 1101 _B

TABLE 12. PHASE LOCKED LOOP CHROMINANCE SUBCARRIER TO BUS CLOCK FREQUENCY RATIO

DESTINATION ADDRESS = 06 _H			
BIT NUMBER	FUNCTION	DESCRIPTION	RESET STATE
7 - 0	Chroma PLL Ratio	These bits are used to program the ratio of the incoming video chrominance color subcarrier frequency to the BUS Clock used. This number serves as the reference frequency of the chrominance PLL and must be very accurate. This is the lower byte of the ratio and encompasses the following range: $2^{-9} 2^{-10} 2^{-11} 2^{-12} 2^{-13} 2^{-14} 2^{-15} 2^{-16}$ The default value is for a CLK frequency of 27MHz and a color subcarrier of 3.579545 MHz.	1100 0001 _B

TABLE 13. PHASE LOCKED LOOP CHROMINANCE SUBCARRIER TO BUS CLOCK FREQUENCY RATIO

DESTINATION ADDRESS = 07 _H			
BIT NUMBER	FUNCTION	DESCRIPTION	RESET STATE
15 - 8	Chroma PLL Ratio	These bits are used to program the ratio of the incoming video chrominance color subcarrier frequency to the BUS Clock used. This number serves as the reference frequency of the chrominance PLL and must be very accurate. This is the upper byte of the ratio and encompasses the following range: $2^{-1} 2^{-2} 2^{-3} 2^{-4} 2^{-5} 2^{-6} 2^{-7} 2^{-8}$	1000 0111 _B

TABLE 14. HORIZONTAL AGC START TIME REGISTER

DESTINATION ADDRESS = 08 _H			
BIT NUMBER	FUNCTION	DESCRIPTION	RESET STATE
7 - 0	Horizontal AGC Pulse Programmable Start Time	This register provides a programmable delay for the HAGC pulse that control the sync tip AGC in the A/D converters. The start time of the HAGC pulse is set from the detection of horizontal sync in the video data. HAGC is programmable in CLK increments and has a fixed 1 clock delay following the falling edge of horizontal sync. This is the lower byte of the 10-bit word.	0011 1111 _B

TABLE 15. HORIZONTAL AGC START TIME REGISTER

DESTINATION ADDRESS = 09 _H			
BIT NUMBER	FUNCTION	DESCRIPTION	RESET STATE
15 - 10	Not Used	Write Ignored, Read 0's.	XXXX XX

HMP8112

TABLE 15. HORIZONTAL AGC START TIME REGISTER (Continued)

DESTINATION ADDRESS = 09 _H			
BIT NUMBER	FUNCTION	DESCRIPTION	RESET STATE
9 - 8	Horizontal AGC Pulse Programmable Start Time	This register provides a programmable delay for the HAGC pulse that control the sync tip AGC in the A/D converters. The start time of the HAGC pulse is set from the detection of horizontal sync in the video data. HAGC is programmable in CLK increments and has a fixed 1 clock delay following the falling edge of horizontal sync. This is the upper byte of the 10-bit word.	11 _B

TABLE 16. HORIZONTAL AGC END TIME REGISTER

DESTINATION ADDRESS = 0A _H			
BIT NUMBER	FUNCTION	DESCRIPTION	RESET STATE
7 - 0	Horizontal AGC Pulse Programmable End Time	This register provides a programmable delay for the HAGC pulse that control the sync tip AGC in the A/D converters. The end time of the HAGC pulse is set from the detection of horizontal sync in the video data. HAGC is programmable in CLK increments and has a fixed 1 clock delay following the falling edge of horizontal sync. This is the lower byte of the 10-bit word.	0000 0000 _B

TABLE 17. HORIZONTAL AGC END TIME REGISTER

DESTINATION ADDRESS = 0B _H			
BIT NUMBER	FUNCTION	DESCRIPTION	RESET STATE
15 - 10	Not Used	Write Ignored, Read 0's	XXXX XX
9 - 8	Horizontal AGC Pulse Programmable End Time	This register provides a programmable delay for the HAGC pulse that control the sync tip AGC in the A/D converters. The end time of the HAGC pulse is set from the detection of horizontal sync in the video data. HAGC is programmable in CLK increments and has a fixed 1 clock delay following the falling edge of horizontal sync. This is the upper byte of the 10-bit word.	00 _B

TABLE 18. HORIZONTAL SYNC START TIME REGISTER

DESTINATION ADDRESS = 0C _H			
BIT NUMBER	FUNCTION	DESCRIPTION	RESET STATE
7 - 0	Horizontal Drive Programmable Start Time	This register provides a programmable delay for the external $\overline{\text{HDRIVE}}$ signal. The start time of the $\overline{\text{HDRIVE}}$ pulse is set from the detection of horizontal sync in the video data. $\overline{\text{HDRIVE}}$ is programmable in CLK increments and has a fixed 1 clock delay following the falling edge of horizontal sync. This is the lower byte of the 10-bit word.	0011 1011 _B

TABLE 19. HORIZONTAL SYNC START TIME REGISTER

DESTINATION ADDRESS = 0D _H			
BIT NUMBER	FUNCTION	DESCRIPTION	RESET STATE
15 - 10	Not Used	Write Ignored, Read 0's	XXXX XX
9 - 8	Horizontal Drive Programmable Start Time	This register provides a programmable delay for the external $\overline{\text{HDRIVE}}$ signal. The start time of the $\overline{\text{HDRIVE}}$ pulse is set from the detection of horizontal sync in the video data. $\overline{\text{HDRIVE}}$ is programmable in CLK increments and has a fixed 1 clock delay following the falling edge of horizontal sync. This is the upper byte of the 10-bit word.	11 _B

TABLE 20. HORIZONTAL SYNC END TIME REGISTER

DESTINATION ADDRESS = 0E _H			
BIT NUMBER	FUNCTION	DESCRIPTION	RESET STATE
7 - 0	Horizontal Drive Programmable End Time	This register provides a programmable delay for the external $\overline{\text{HDRIVE}}$ signal. The end time of the $\overline{\text{HDRIVE}}$ pulse is set from the detection of horizontal sync in the video data. $\overline{\text{HDRIVE}}$ is programmable in CLK increments and has a fixed 1 clock delay following the falling edge of horizontal sync. This is the lower byte of the 10-bit word.	0010 0000 _B

TABLE 21. HORIZONTAL SYNC END TIME REGISTER

DESTINATION ADDRESS = 0F _H			
BIT NUMBER	FUNCTION	DESCRIPTION	RESET STATE
15 - 10	Not Used	Write Ignored, Read 0's	XXXX XX
9 - 8	Horizontal Drive Programmable End Time	This register provides a programmable delay for the external $\overline{\text{HDRIVE}}$ signal. The end time of the $\overline{\text{HDRIVE}}$ pulse is set from the detection of horizontal sync in the video data. $\overline{\text{HDRIVE}}$ is programmable in CLK increments and has a fixed 1 clock delay following the falling edge of horizontal sync. This is the upper byte of the 10-bit word.	00 _B

TABLE 22. PHASE LOCKED LOOP ADJUST REGISTER

DESTINATION ADDRESS = 10 _H			
BIT NUMBER	FUNCTION	DESCRIPTION	RESET STATE
7 - 0	Phase Locked Loop Filter Adjust Test Register	The Phase Locked Loop time constants can be changed for testing purposes. It is recommended that the default value of (20 _μ) always be used. The reset state is 00 _H .	0000 0000 _B

TABLE 23. PHASE LOCKED LOOP SYNC DETECT WINDOW REGISTER

DESTINATION ADDRESS = 11 _H			
BIT NUMBER	FUNCTION	DESCRIPTION	RESET STATE
7 - 0	Phase Locked Loop Horizontal Sync Detect Window	These bits control the PLL horizontal sync detect window. This window sets the length of time that the line lock PLL will allow the detection of the HSYNC. HSYNC outside of this window are declared missing and will cause the missing sync logic to start counting missing syncs. For NTSC this value should be DD _H and for PAL, FF _H .	1101 1101 _B

TABLE 24. DC RESTORE START TIME REGISTER

DESTINATION ADDRESS = 12 _H			
BIT NUMBER	FUNCTION	DESCRIPTION	RESET STATE
7 - 0	DC Restore Programmable Start Time	This register provides a programmable delay for the internal DC RES signal. The start time of the DC RES pulse is set from the detection of horizontal sync in the video data. DC RES is programmable in CLK increments and has a fixed 1 clock delay following the falling edge of horizontal sync. This signal is used to run the GATE B pin of the A/D converter. This is the lower byte of the 10-bit word.	0011 0111 _B

TABLE 25. DC RESTORE START TIME REGISTER

DESTINATION ADDRESS = 13 _H			
BIT NUMBER	FUNCTION	DESCRIPTION	RESET STATE
15 - 10	Not Used		XXXX XX
9 - 8	DC Restore Programmable Start Time	This register provides a programmable delay for the internal DC RES signal. The start time of the DC RES pulse is set from the detection of horizontal sync in the video data. DC RES is programmable in CLK increments and has a fixed 1 clock delay following the falling edge of horizontal sync. This is the upper byte of the 10-bit word.	00 _B

TABLE 26. DC RESTORE END TIME REGISTER

DESTINATION ADDRESS = 14 _H			
BIT NUMBER	FUNCTION	DESCRIPTION	RESET STATE
7 - 0	DC Restore Programmable End Time	This register provides a programmable delay for the internal DC RES signal. The end time of the DC RES pulse is set from the detection of horizontal sync in the video data. DC RES is programmable in CLK increments and has a fixed 1 clock delay following the falling edge of horizontal sync. This signal is used to run the GATE B pin of the A/D converter. This is the lower byte of the 10-bit word.	0101 0010 _B

TABLE 27. DC RESTORE END TIME REGISTER

DESTINATION ADDRESS = 15 _H			
BIT NUMBER	FUNCTION	DESCRIPTION	RESET STATE
15 - 10	Not Used		XXXX XX
9 - 8	DC Restore Programmable End Time	This register provides a programmable delay for the external DC RES signal. The end time of the DC RES pulse is set from the detection of horizontal sync in the video data. DC RES is programmable in CLK increments and has a fixed 1 clock delay following the falling edge of horizontal sync. This is the upper byte of the 10-bit word.	00 _B

TABLE 28. OUTPUT FORMAT CONTROL REGISTER

DESTINATION ADDRESS = 16 _H			
BIT NUMBER	FUNCTION	DESCRIPTION	RESET STATE
7	Square Pixel/ITU-R BT601 Select	When "1", Square pixel output is selected, when "0" ITU-R BT601 output rate is selected.	0 _B
6, 5, 4	Output Field Control "FLD_CONT(2-0)"	These bits control the field capture rate of the HMP8112. The user can select every 4th field, every other field or every field of video to be output to the data port. 000 = No Capture Enabled 001 = Capture every 4th field 010 = Capture every 2nd field 011 = Capture every 2nd odd field 100 = Capture every 2nd even field 101 = Capture every odd field 110 = Capture every even field 111 = Capture all fields	000 _B
3	8/16 output Select	When "1", the 8-bit Burst Transfer output mode is selected. When "0", the 16-bit Synchronous Pixel Transfer output mode is selected.	0 _B
2	\overline{OEN}	This bit enables the Y(7-0), CbCr(7-0), ACTIVE, HSYNC, VSYNC and DVLD outputs. 1 = Outputs enabled; 0 = three-stated.	0 _B

HMP8112

TABLE 28. OUTPUT FORMAT CONTROL REGISTER (Continued)

DESTINATION ADDRESS = 16 _H			
BIT NUMBER	FUNCTION	DESCRIPTION	RESET STATE
1	Vertical Pixel Siting	When this bit is cleared ('0') the chrominance pixels have a 1/2 line pixel offset from their associated luminance pixel in a 4:2:2 subsampled scheme. When this bit is set ('1') the pixel siting is line aligned with the luminance pixels in a 4:2:2 subsampled scheme. The bit is cleared by a RESET.	0 _B
0	Not Used	Write Ignored, Read 0's	X

TABLE 29. SOFTWARE RESET AND VIDEO STATUS REGISTER

DESTINATION ADDRESS = 17 _H			
BIT NUMBER	FUNCTION	DESCRIPTION	RESET STATE
7	Software Reset	When this bit is set to 1, the entire device except the I ² C bus is reset to a known state exactly like the RESET input. The software reset will initialize all register bits to their reset state as well as place the PLLs back at the power-up state. Once set this bit is self clearing after only 4 CLK periods. This bit is cleared on power-up by the external RESET pin.	0 _B
6	Black Screen	This flag when set ('1') will set the output video to black when a lost vertical sync has been detect. This flag is cleared after a RESET.	Read Only
5	Line Locked Flag	This flag when set ('1') indicates that the Line Locked-Phase Locked Loop has locked to the video data. The state of this flag is reflected on the LOCKED output pin. This flag is cleared after a RESET of Software Reset.	Read Only
4	Standard Error Flag	This flag when set ('1') indicates that the Standard detected does not match the one selected in the Video Input Control Register. The standard is checked against a line count and if the line count is significantly different than the expected value then this flag is triggered. The state of this flag is reflected on the STANDARD_ERROR output pin. This flag is cleared after a RESET or Software Reset.	Read Only
3 - 0	Not Used	Write ignored, Read 0's.	XXXX XX

TABLE 30. RESERVED

DESTINATION ADDRESS = 18 _H			
BIT NUMBER	FUNCTION	DESCRIPTION	RESET STATE
7 - 0	Reserved Read Only	This register is reserved for future use. This register will read all zero's and is write ignored.	0000 0000 _B

TABLE 31. RESERVED

DESTINATION ADDRESS = 19 _H			
BIT NUMBER	FUNCTION	DESCRIPTION	RESET STATE
7 - 6	Reserved Read Only	This register is reserved for future use. This register will read all zero's and is write ignored.	00 _B
5	Lost HSYNC Control	This bit controls when the PLL will declare lost horizontal sync, leave track mode and return to acquisition to acquire a new HSYNC reference. This bit should be used with VCR's with extremely gross headswitch errors. When this bit is cleared, lost line lock is declared after 12 missing horizontal syncs. When this bit is set, lost line lock is declared after one missing horizontal sync and the line lock PLL will reacquire the first HSYNC is detects. This bit is cleared by RESET.	0 _B
4 - 0	Reserved Read Only	This register is reserved for future use. This register will read all zero's and is write ignored.	0 0000 _B

HMP8112

TABLE 32. RESERVED

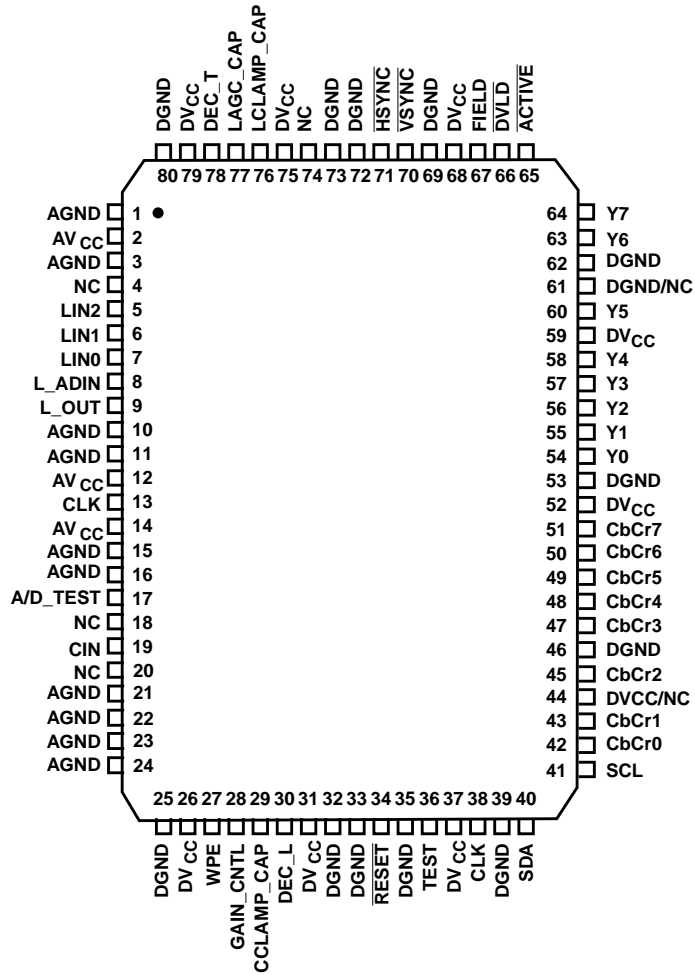
DESTINATION ADDRESS = 1A _H			
BIT NUMBER	FUNCTION	DESCRIPTION	RESET STATE
7 - 0	Reserved Read Only	This register is reserved for future use. This register will read all zero's and is write ignored.	0000 0000 _B

TABLE 33. PRODUCT ID REGISTER

DESTINATION ADDRESS = 1B _H			
BIT NUMBER	FUNCTION	DESCRIPTION	RESET STATE
7 - 0	Product ID Code	This register contains the last two digits of the product part number for use as a software ID. These bits are read only and always read 12 _H .	0001 0010 _B

Pinout

80 LEAD PQFP
TOP VIEW



Pin Description

NAME	PQFP PIN NUMBER	INPUT/ OUTPUT	DESCRIPTION
LIN[0:2]	5, 6, 7	Input	Analog Video Inputs. Inputs 0 and 1 are composite inputs. Input 2 can be either a composite input or the Y component of an S-Video signal.
CIN	19	Input	Analog Chroma input component of an S-Video Input.
WPE	27	Input	White Peak Enable. When enabled ('1'), the video amplifiers gain is reduced when the digital output code exceeds 248. When disabled ('0') the video amplifier will clip when the A/D reaches code 255.
GAIN_CTRL	28	Input	Gain Control Input. DC voltage to set the video amplifier's gain.
DEC_T	78	Input	Decoupling for A/D Converter Reference. Connect a 0.01μF and 0.1μF capacitors to AGND.
DEC_L	30	Input	Decoupling for A/D Converter Reference. Connect a 0.01μF and 0.1μF capacitors to AGND.
LAGC_CAP	77	Input	Capacitor Connection for Luminance AGC Circuit. Controls the AGC loop time constant.
LCLAMP_CAP	76	Input	Capacitor Connection for Luminance Clamp Circuit. Controls the clamp loop time constant.
CCLAMP_CAP	29	Input	Capacitor Connection for Chrominance Clamp Circuit. Controls the clamp loop time constant.
L_ADIN	8	Input	Luminance A/D Converters input from antialiasing filter.
L_OUT	9	Output	Luminance or Composite Analog Video Amplifier output to antialiasing filter.
SDA	40	Input/ Output	The serial I ² C serial input/output data line.
SCL	41	Input	The serial I ² C serial bus clock line.
CLK	13, 38	Input	Master clock for the decoder. This clock is used to run the internal logic, A/D converters, and Phase Locked Loops. All I/O pins (except the I ² C) are synchronous to this master clock. A 50ppmcrystal should be used with a waveform symmetry of 60/40% or better.
RESET	34	Input	Asynchronous Reset pin. Master Chip reset to initialize the internal states and set the internal registers to a known state.
CbCr[0:7]	42, 43, 45, 47-51	Output	CbCr Data Output Port. The chrominance data output port of the decoder. Data is in unsigned format and can range from 0 to 255. The CbCr data is subsampled to 4:2:2 format. In 4:2:2 format the CbCr bus toggles between Cb and Cr samples with the first sample of a line always being Cb. The port is designed to minimize external logic needed to interface to a VRAM Serial Access Port, DRAM or FIFO.
Y[0:7]	54-58, 60, 63, 64	Output	Y Data Output Port. The luminance data output port of the decoder. Data is in unsigned format and can range from 16 to 255. The port is designed to minimize external logic needed to interface to a VRAM Serial Access Port, DRAM or FIFO.
DVLD	66	Output	Data Valid. This pin signals when valid data is available on the data output ports. This pin is three-stated after a RESET or software reset and should be pulled high through a 10K resistor.
HSYNC	71	Output	Horizontal Sync. This video synchronous pulse is generated by the detection of horizontal sync on the video input. In the absence of video, the HSYNC rate is set when the internal PLL counters overflow. The HSYNC begin and end time can be programmed and is synchronous to CLK. This pin is three-stated after a RESET or software reset and should be pulled high through a 10K resistor.

HMP8112

Pin Description (Continued)

NAME	PQFP PIN NUMBER	INPUT/ OUTPUT	DESCRIPTION
$\overline{\text{VSYNC}}$	70	Output	Vertical Sync. This video synchronous pulse is generated by the detection of a vertical sync on the video input. In the absence of video the $\overline{\text{VSYNC}}$ rate is set by the over flow of the internal line rate counter. This pin is three-stated after a $\overline{\text{RESET}}$ or software reset and should be pulled high through a 10K resistor.
FIELD	67	Output	Field Flag. When set ('0') this signals that an ODD field is presently being output from the decoder. When cleared ('1') this signals an EVEN field. This flag will toggle when no vertical sync is detected and 337 lines have elapsed. This pin is three-stated after a $\overline{\text{RESET}}$ or software reset and should be pulled high through a 10K resistor.
ACTIVE	65	Output	Active Video Flag. This flag is asserted ('1') when the active portion of the video line is available on the output port. This signal is always set during Burst Output data mode. This flag is free running and synchronous to CLK. This pin is three-stated after a $\overline{\text{RESET}}$ or software reset and should be pulled high through a 10K resistor.
TEST	36	Input	Test input. This pin is used for production test and should be connected to digital ground.
DV _{CC}	26, 31, 37, 44, 52, 59, 68, 75, 79	Input	5V Logic Supply Pins
DGND	25, 32, 33, 35, 39, 46, 53, 61, 62, 69, 72, 73, 80	Input	Digital Ground Pins
AV _{CC}	2, 12, 14	Input	5V Analog Supply Pins
AGND	1, 3, 10, 11, 15, 16, 21, 22, 23, 24	Input	Analog GND
A/D TEST	17	Output	A/D Test Pin. This pin should be left open.
NC	4, 18, 20, 74	NA	No Connect. These pins should be left open.

HMP8112

Absolute Maximum Ratings

Digital Supply Voltage (V_{CC} to DGND) 7.0V
 Digital Input Voltages GND -0.5V to V_{CC} 0.5V
 ESD Classification Class 1

Operating Temperature Range

HMP8112CN 0°C to 70°C

Thermal Information

Thermal Resistance (Typical, See Note 1) θ_{JA} (°C/W)
 PQFP Package 42
 Maximum Power Dissipation
 HMP8112CN 1.9W
 Maximum Storage Temperature Range -65°C to 150°C
 Maximum Junction Temperatures 150°C
 Maximum Lead Temperature (Soldering 10s) 300°C

CAUTION: Stresses above those listed in "Absolute Maximum Ratings" may cause permanent damage to the device. This is a stress only rating and operation of the device at these or any other conditions above those indicated in the operational sections of this specification is not implied.

NOTE:

- θ_{JA} is measured with the component mounted on an evaluation PC board in free air. Dissipation rating assumes device is mounted with all leads soldered to printed circuit board

Electrical Specifications $V_{CC} = 5.0V, T_A = 25^\circ C$

PARAMETER	SYMBOL	TEST CONDITION	HMP8112C			UNITS
			MIN	TYP	MAX	
POWER SUPPLY CHARACTERISTICS						
Power Supply Voltage Range	DV_{CC}, AV_{CC}	Note 2	4.75	5	5.25	V
Power Supply Current	Digital I_{CCOP}	$f_{CLK} = 30MHz,$ $DV_{CC} = 5.25V,$ Outputs Not Loaded	-	45	60	mA
	Analog I_{CAOP}	$f_{CLK} = 30MHz,$ $AV_{CC} = 5.25V$	-	170	180	mA
Total Power Dissipation	P_{TOT}	$f_{CLK} = 30MHz,$ $DV_{CC} = AV_{CC} = 5.25V,$ Outputs Not Loaded	-	0.95	1.26	W
DIGITAL I/O						
Bus Clock Frequency	CLK	Note 2	20	-	30	MHz
Clock Cycle Time	CLK		33	-	50	ns
Clock Waveform Symmetry			40	-	60	%
Clock Pulse Width High	t_{PWH}		8	-	-	ns
Clock Pulse Width	t_{PWL}		13	-	-	ns
Input Logic High Voltage	V_{IH} CLK	$DV_{CC} = Max$	2.8	-	-	V
Input Logic Low Voltage	V_{IL} CLK	$DV_{CC} = Min$	-	-	0.8	V
Input Leakage Current	I_{IH}	$DV_{CC} = Max$ Input = 0V or DV_{CC}	-	-	10	μA
	I_{IL}		-400	-	-	μA
Input/Output Capacitance	C_{IN}	CLK Frequency = 1MHz, Note 2, All Measurements Referenced to Ground $T_A = 25^\circ C$	-	-	8	pF
Rise/Fall Time	t_r, t_f	Note 2	-	-	2.0	ns
Input Logic High Voltage	V_{IH}	$DV_{CC} = Max$	2.0	-	-	V
Input Logic Low Voltage	V_{IL}	$DV_{CC} = Min$	-	-	0.8	V
Input Logic Current	I_{IH}, I_{IL}	$DV_{CC} = Max$ Input = 0V or 5V	-	-	10	μA

HMP8112

Electrical Specifications $V_{CC} = 5.0V, T_A = 25^{\circ}C$ (Continued)

PARAMETER	SYMBOL	TEST CONDITION	HMP8112C			UNITS
			MIN	TYP	MAX	
Output Logic High Voltage	V_{OH}	$I_{OH} = -4mA, DV_{CC} = Max$	2.4	-	-	V
Output Logic Low Voltage	V_{OL}	$I_{OL} = 4mA, DV_{CC} = Min$	-	-	0.4	V
Output Logic Current	I_{OH}	$DV_{CC} = Max, Input = 0V$ or 5V	-	-	4	mA
Three-State Output Current Leakage	I_{OZ}		-	-	10	μA
I²C DIGITAL I/O (SDA, SCL, Fast Mode)						
Input Logic High Voltage	V_{IH}	$DV_{CC} = Max$	$0.7xV_{CC}$	-	-	V
Input Logic Low Voltage	V_{IL}	$DV_{CC} = Min$	-	-	$0.3xV_{CC}$	V
Input Logic Current	I_{IH}, I_{IL}	$DV_{CC} = Max$ Input = 0V or 5V	-	-	10	μA
Input/Output Capacitance	C_{IN}	CLK Frequency = 400kHz, Note 2, All Measurements Referenced to GND $T_A = 25^{\circ}C$	-	-	8	pF
Output Logic High Voltage	V_{OH}	$I_{OH} = -1mA, DV_{CC} = Max$	3.0	-	-	V
Output Logic Low Voltage	V_{OL}	$I_{OL} = 3mA, DV_{CC} = Min$	0	-	0.4	V
SCL Clock Frequency	f_{SCL}	Note 2	0	-	100	kHz
SCL Minimum Low Pulse Width	t_{LOW}		4.7	-	-	μs
SCL Minimum High Pulse Width	t_{HIGH}		4.0	-	-	μs
Data Hold Time	$t_{HD:DATA}$	See Figure 31	0	-	-	ns
Data Setup Time	$t_{SU:DATA}$	See Figure 31	250	-	-	ns
Rise Time	t_R	Note 2	-	-	1000	ns
Fall Time	t_F		-	-	300	ns
TIMING CHARACTERISTICS						
Data Setup Time	t_{SU}	Notes 2, 3	10	-	-	ns
Data Hold Time	t_{HD}		0	-	-	ns
Clock to Out	t_{DVLD}		-	-	8.0	ns
ANALOG PERFORMANCE						
Video Input Amplifier Voltage Range	$V_{LIN[0:2]}, V_{CIN}$	Input Termination of 75 Ω and 1.0 μF AC Coupling, Note 2	0.625	1.0	2.0	V_{P-P}
Video Input Amplifier Impedance	R_{AIN}	Note 2	200	-	-	k Ω
Color Sub-carrier AGC Range	SC_{AGC}		-6	-	+18	dB
Video Input Amplifier Analog Bandwidth	B	1 V_{P-P} Sine Wave Input to -3dBc Reduction, Note 2	-	15	-	MHz
A/D Input Range	$A_{IN} + FULL SCALE$	Note 2	-	$AV_{CC} - 1.4$	-	V
	$A_{IN} OFFSET/ZERO$		-	$AV_{CC} - 3.0$	-	V
A/D Input Bandwidth	$B_{A/D}$		5	-	-	MHz

HMP8112

Electrical Specifications $V_{CC} = 5.0V, T_A = 25^{\circ}C$ (Continued)

PARAMETER	SYMBOL	TEST CONDITION	HMP8112C			UNITS
			MIN	TYP	MAX	
VIDEO PERFORMANCE						
Differential Gain	$A_{V\ DIFF}$	EBU 75% Color Bars, Note 2	-	2	-	%
Differential Phase	Θ_{DIFF}		-	1	-	$^{\circ}C$
Integral Linearity	INL	Best Fit Linearity	-	1.5	2.25	LSB
Differential Linearity	DNL	No Missing Codes	-	0.5	1.0	LSB
SNR	SNRL WEIGHTED	Note 2	-	49.9	-	dB
Luminance to Chrominance Crosstalk	X_{LUMA}	In Composite Input Mode, Note 2	-	40	-	dB
Chrominance to Luminance Crosstalk	X_{CHROMA}		-	40	-	dB
Horizontal Locking and Recovery Time	t_{LOCK}	Time from Initial Lock Acquisition to an Error of 1 Pixel, Note 2	-	30	-	Lines
# of Missing Horizontal Syncs Before Lost Lock Declared	HSYNC LOST	Note 2	-	-	12	#
# of Missing Vertical Syncs Before Lost Lock Declared	VSYNC LOST		-	-	3	#
Subcarrier Lock in Range			400	-	-	Hz
Pixel Jitter			-	1/8	-	Pixel
			-	10	-	ns
Color Saturation Adjustment Range			-	-	10	dB
Hue Accuracy			-	-	2	$^{\circ}C$
Hue Adjustment Range			-	-	30	$^{\circ}C$
Brightness Adjustment Range			-	-	10	dB

NOTES:

2. Guaranteed by design or characterization.
3. Test performed with $C_L = 40pF, I_{OL} = 4mA, I_{OH} = -4mA$. Input reference level is 1.5V for all inputs. $V_{IH} = 3.0V, V_{IL} = 0V$.

Typical Performance Curves

NTSC Composite Phase

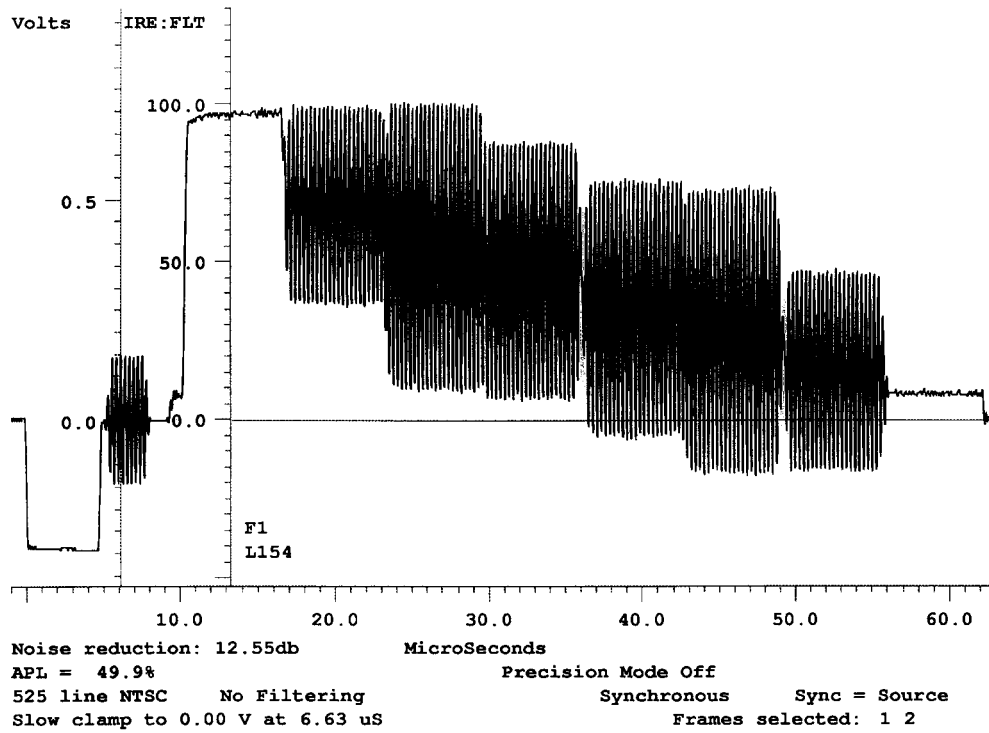


FIGURE 17. COLOR BARS NTSC 100% (EIA)

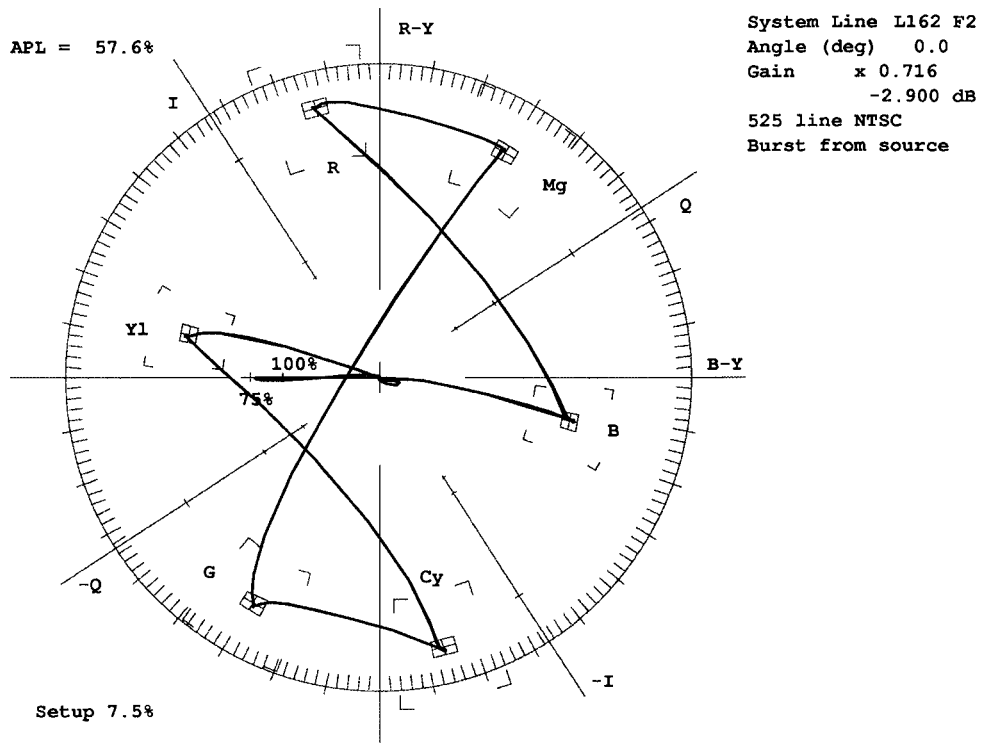


FIGURE 18. COLOR BARS VECTORSCOPE

Typical Performance Curves (Continued)

NTSC Composite Phase (Continued)

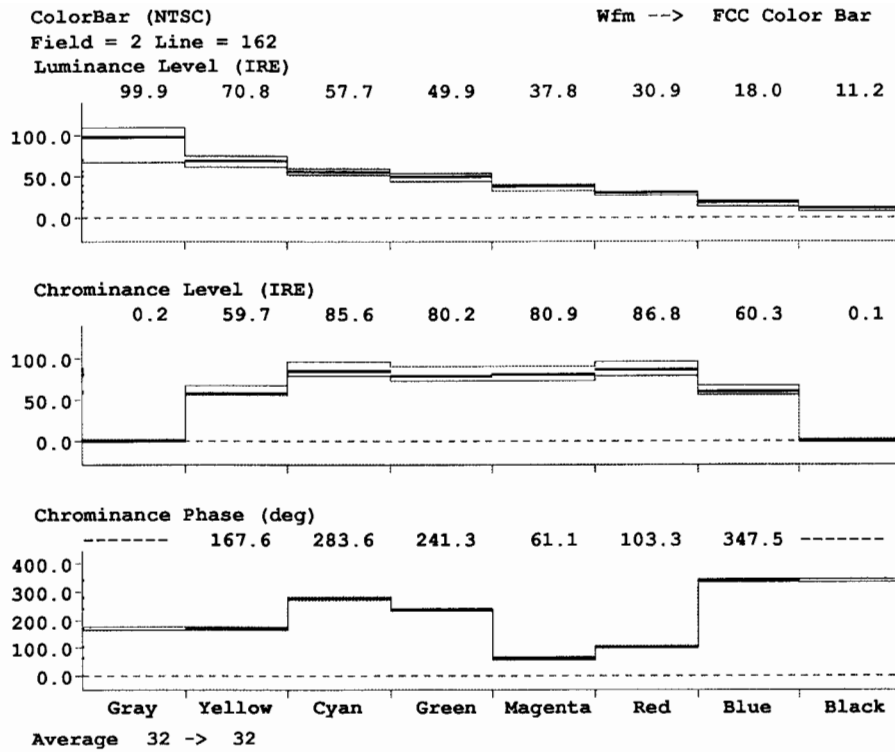


FIGURE 19. COLOR BARS VM700 TEST

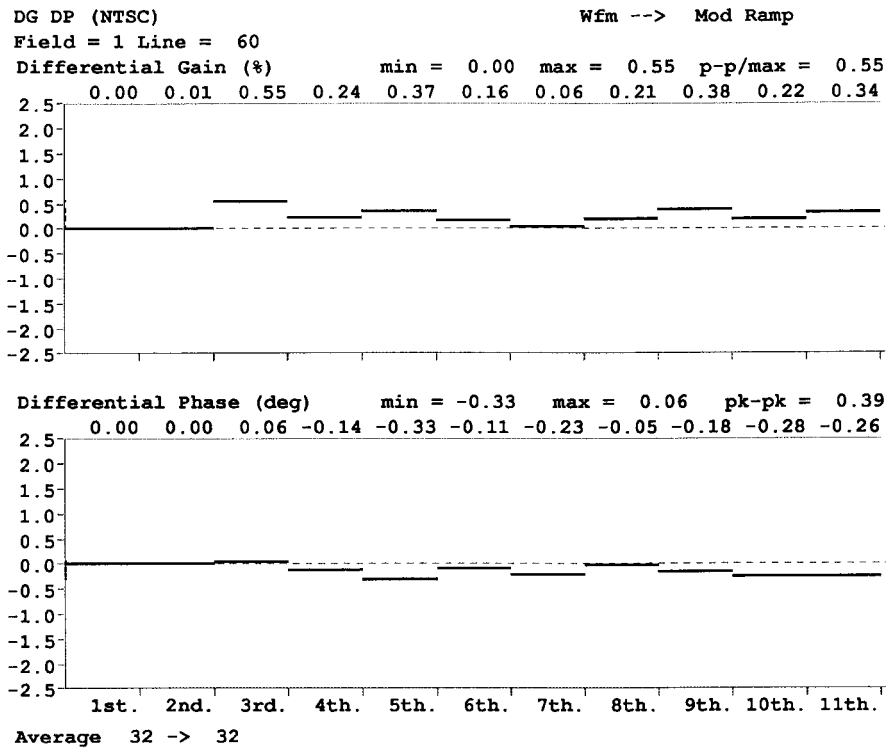
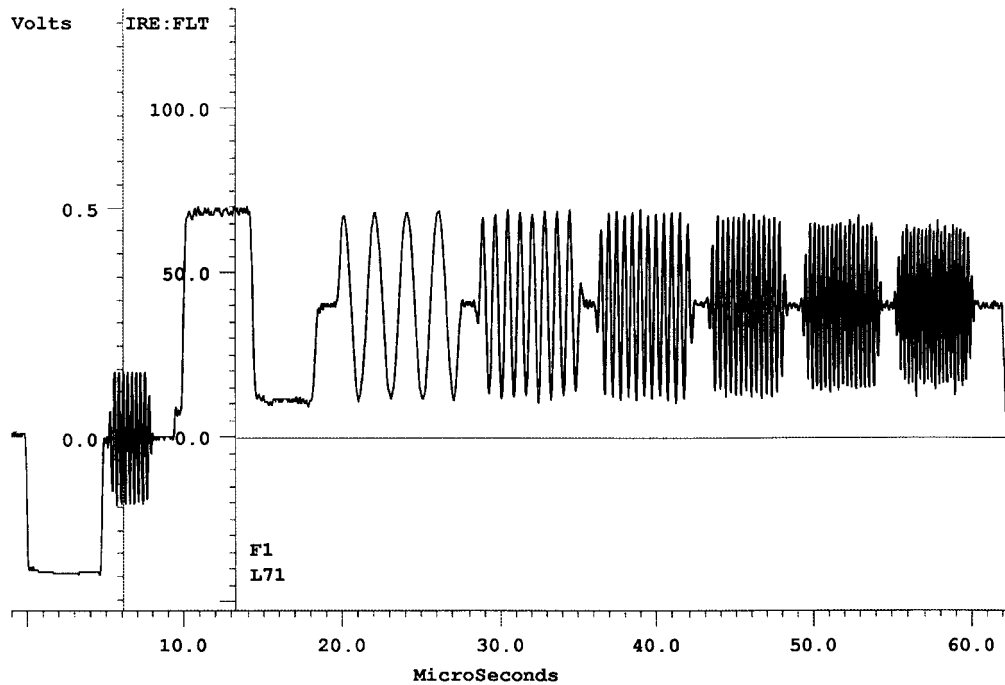


FIGURE 20. DIFFERENTIAL PHASE AND GAIN

Typical Performance Curves (Continued)

NTSC Frequency Response



APL = 40.4% Precision Mode Off
 525 line NTSC No Filtering Synchronous Sync = Source
 Slow clamp to 0.00 V at 6.63 uS Frames selected: 1 2

FIGURE 21. MULTIBURST

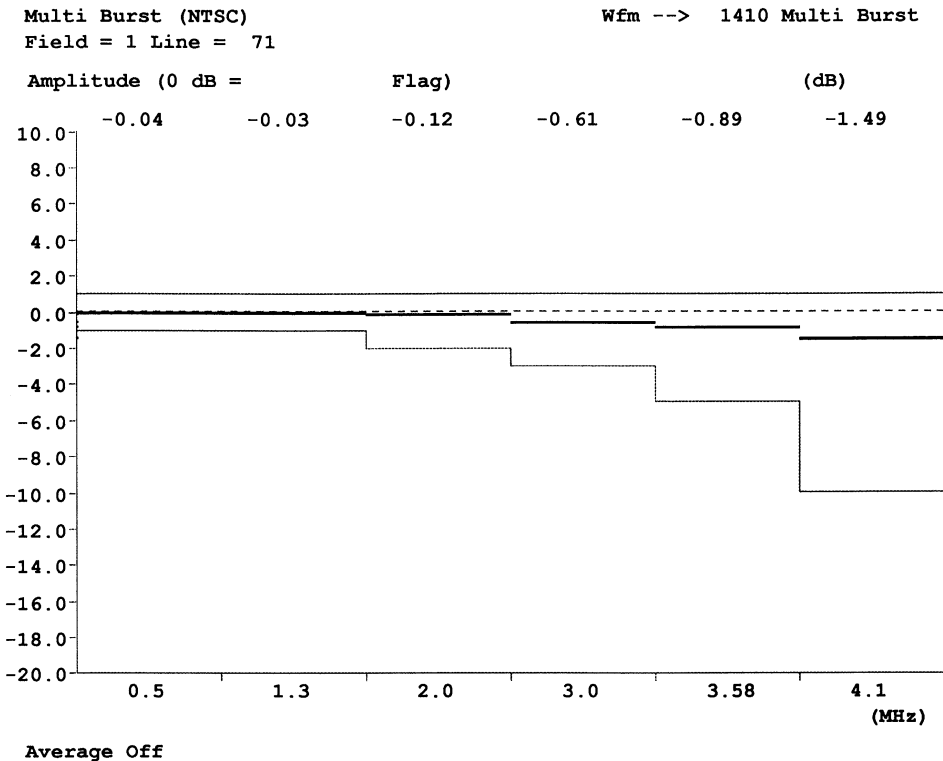
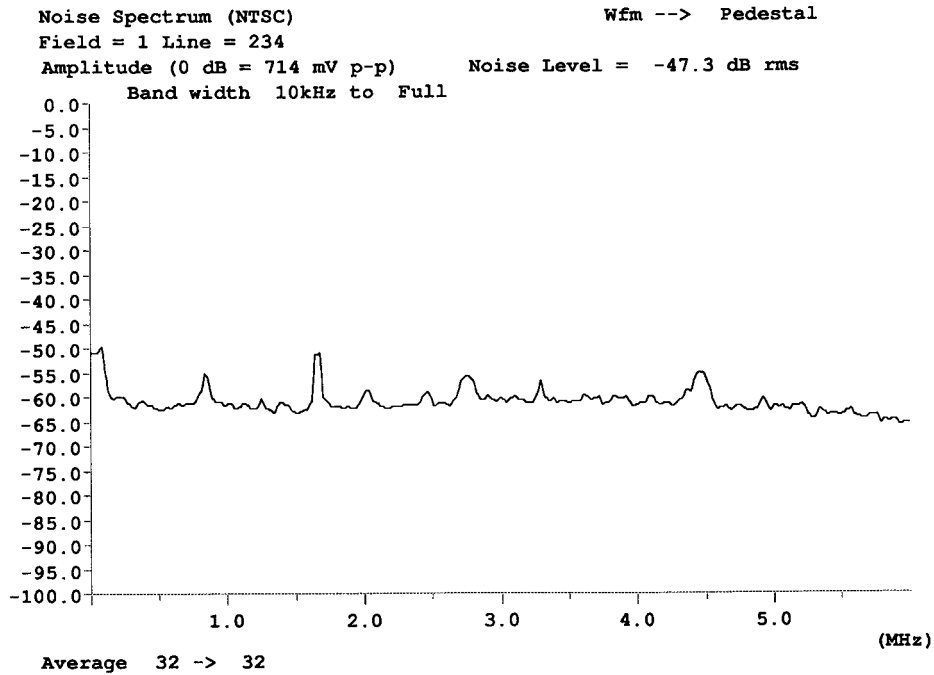


FIGURE 22. MULTIBURST VM700 FREQUENCY ROLL-OFF TEST

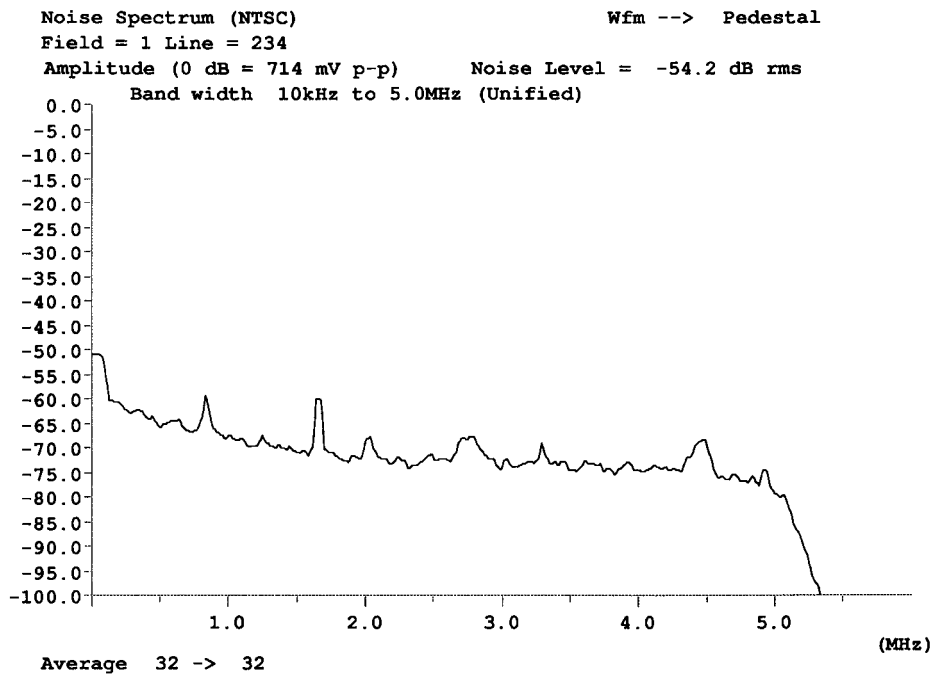
Typical Performance Curves (Continued)

NTSC Noise Measurements



High Pass 100 kHz	Low Pass 4.2 MHz	Low Pass 5.0 MHz	Unified Weighting	NTC-7 Weighting	Fsc. Trap Filter	Tilt Null
----------------------	---------------------	---------------------	----------------------	--------------------	---------------------	--------------

FIGURE 23. SIGNAL TO NOISE RATIO - FLAT FREQUENCY RESPONSE



High Pass 100 kHz	Low Pass 4.2 MHz	Low Pass 5.0 MHz	Unified Weighting	NTC-7 Weighting	Fsc. Trap Filter	Tilt Null
----------------------	---------------------	---------------------	----------------------	--------------------	---------------------	--------------

FIGURE 24. SIGNAL TO NOISE RATIO - 5.0MHz LOW PASS FILTERED

Typical Performance Curves (Continued)

NTSC Noise Measurements (Continued)

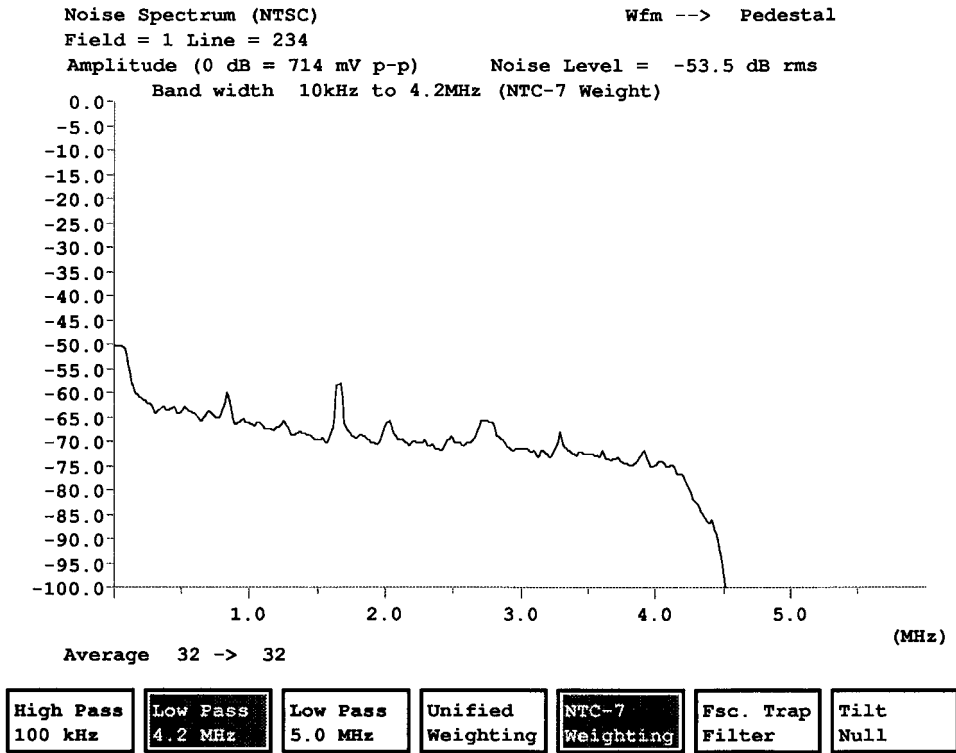


FIGURE 25. SIGNAL TO NOISE RATIO - 4.2MHz LOW PASS FILTERED

Pixel Jitter Test

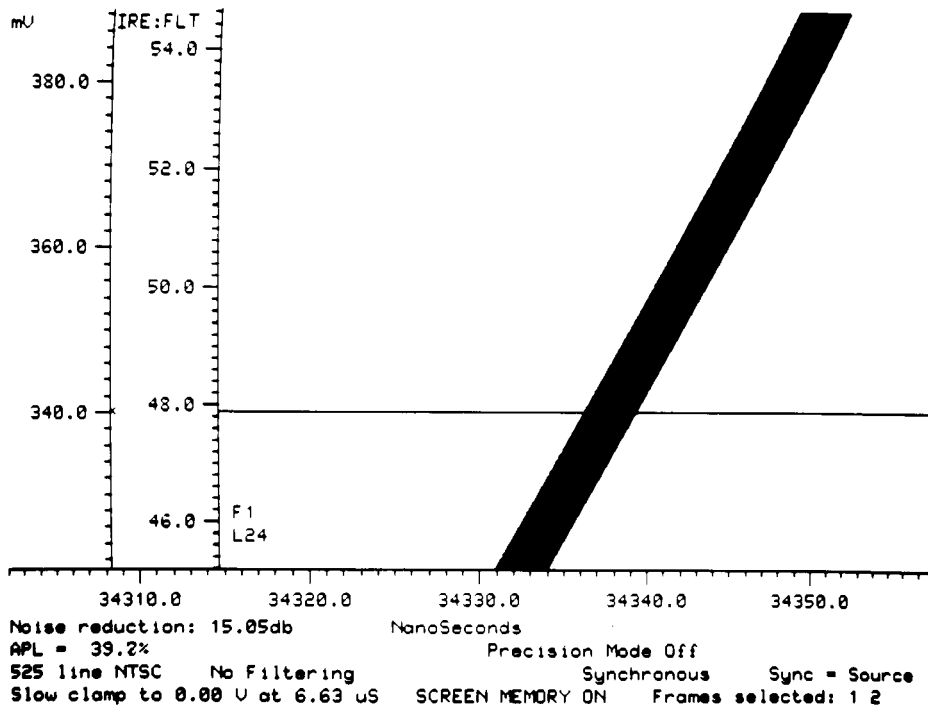


FIGURE 26. LONG TERM JITTER - 20 PULSE BAR 2T

Typical Performance Curves (Continued)

PAL Composite Phase

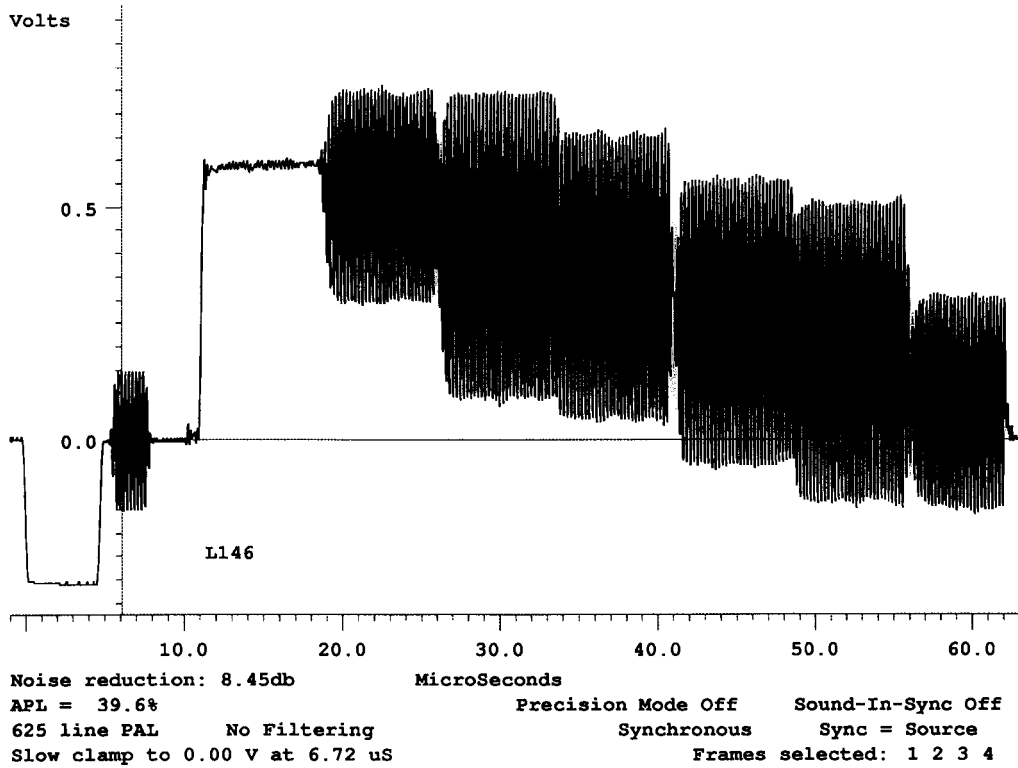


FIGURE 27. COLOR BARS NTSC 100% (EIA)

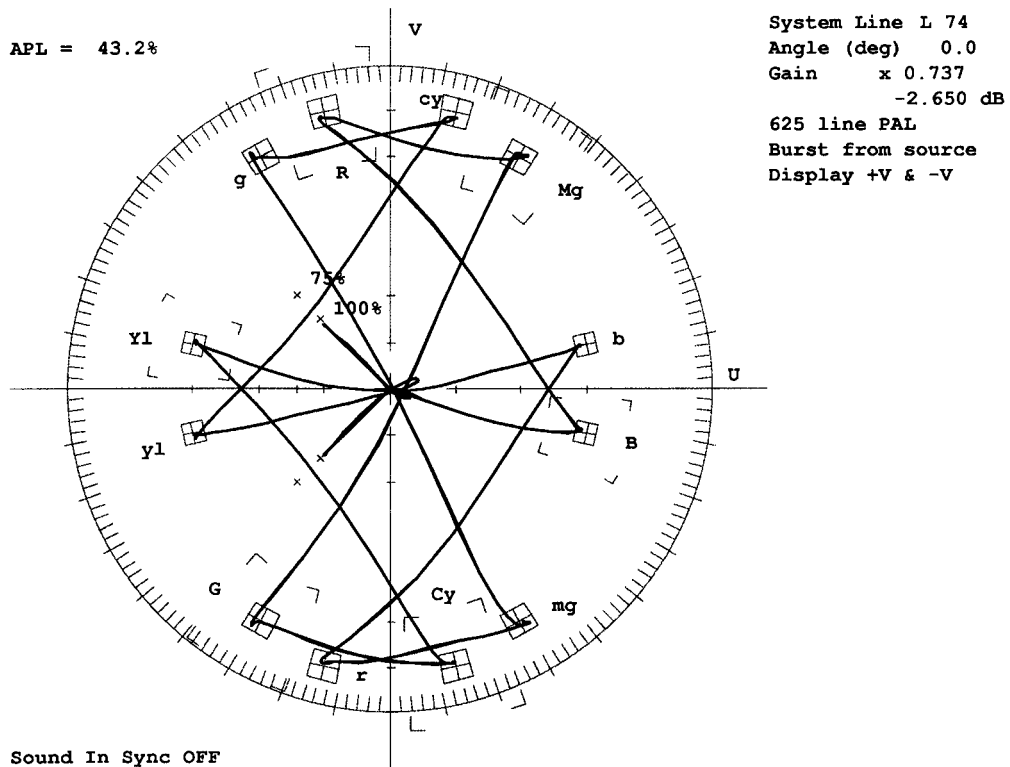


FIGURE 28. COLOR BARS VECTORSCOPE

Typical Performance Curves (Continued)

PAL Composite Phase (Continued)

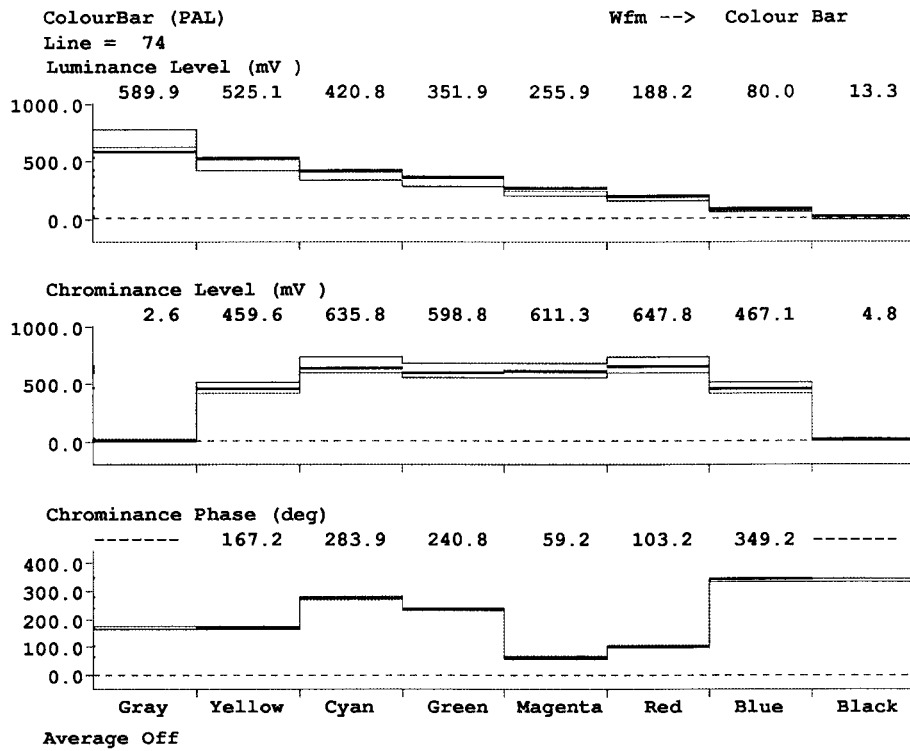


FIGURE 29. COLOR BARS VM700 TEST

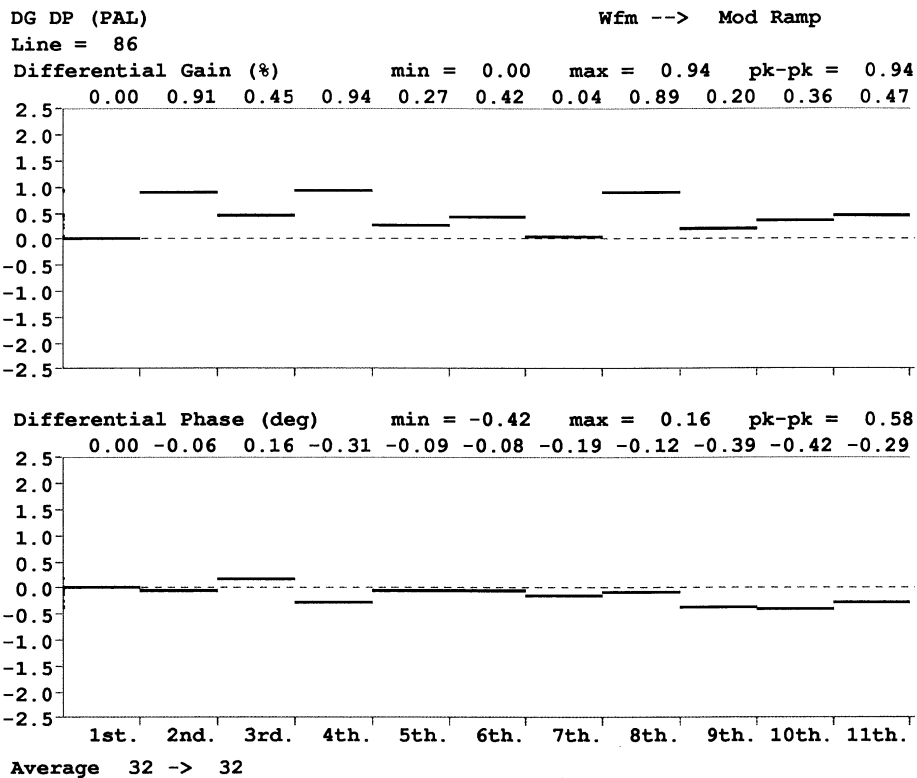


FIGURE 30. DIFFERENTIAL PHASE AND GAIN

Typical Performance Curves (Continued)

PAL Frequency Response

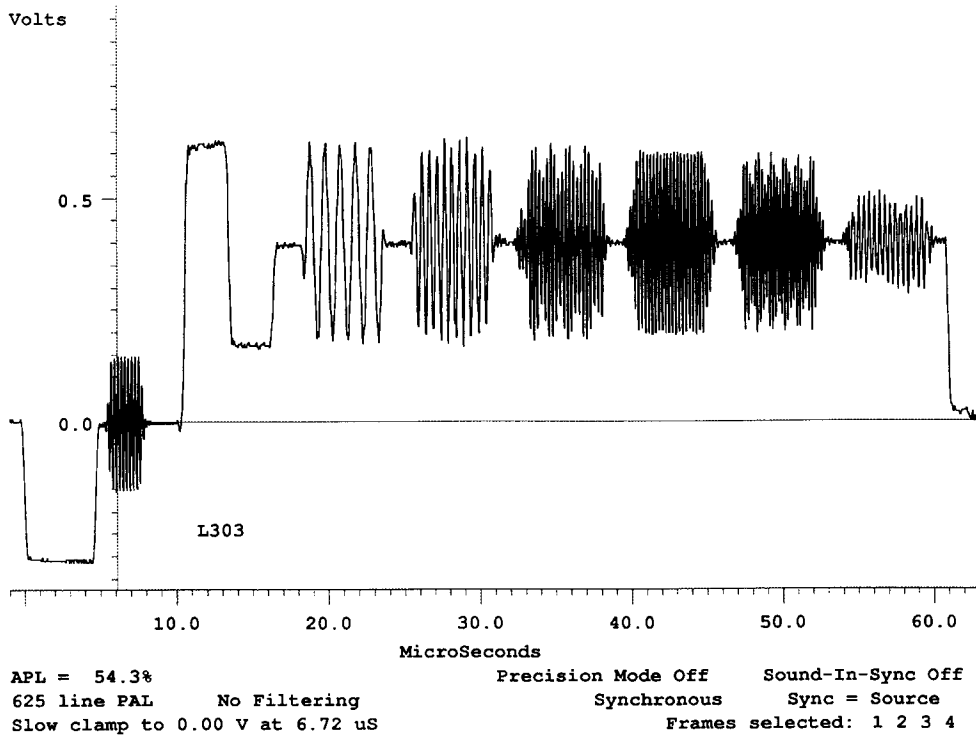


FIGURE 31. MULTIBURST

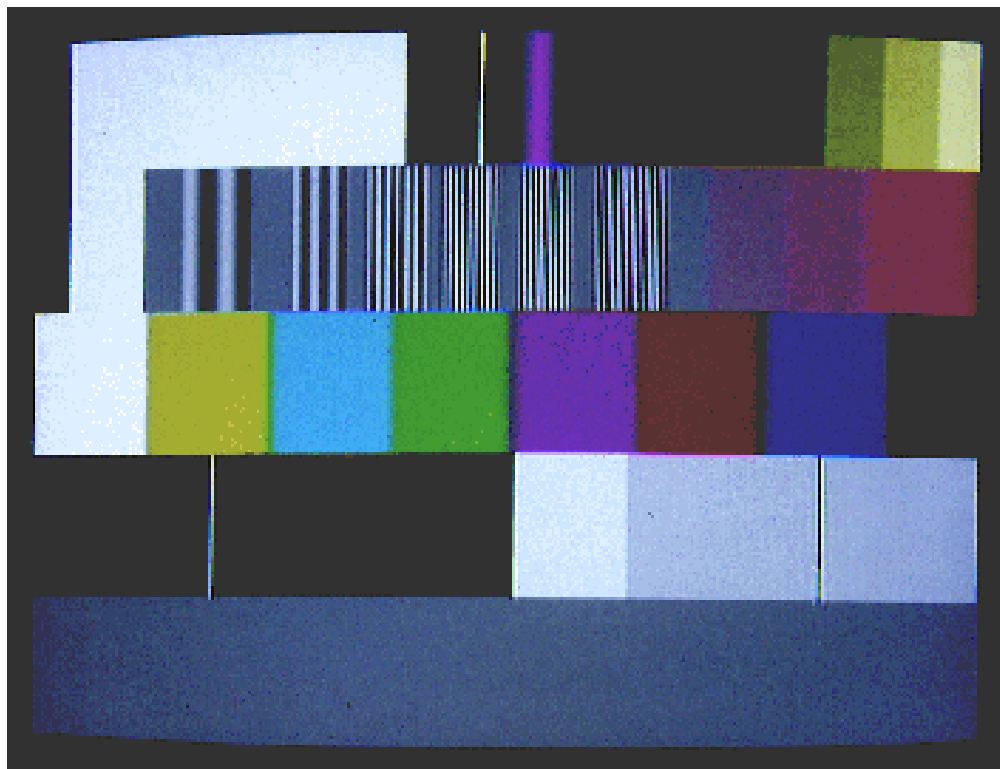


FIGURE 32. NTSC MULTI-TEST PATTERN

Typical Performance Curves (Continued)

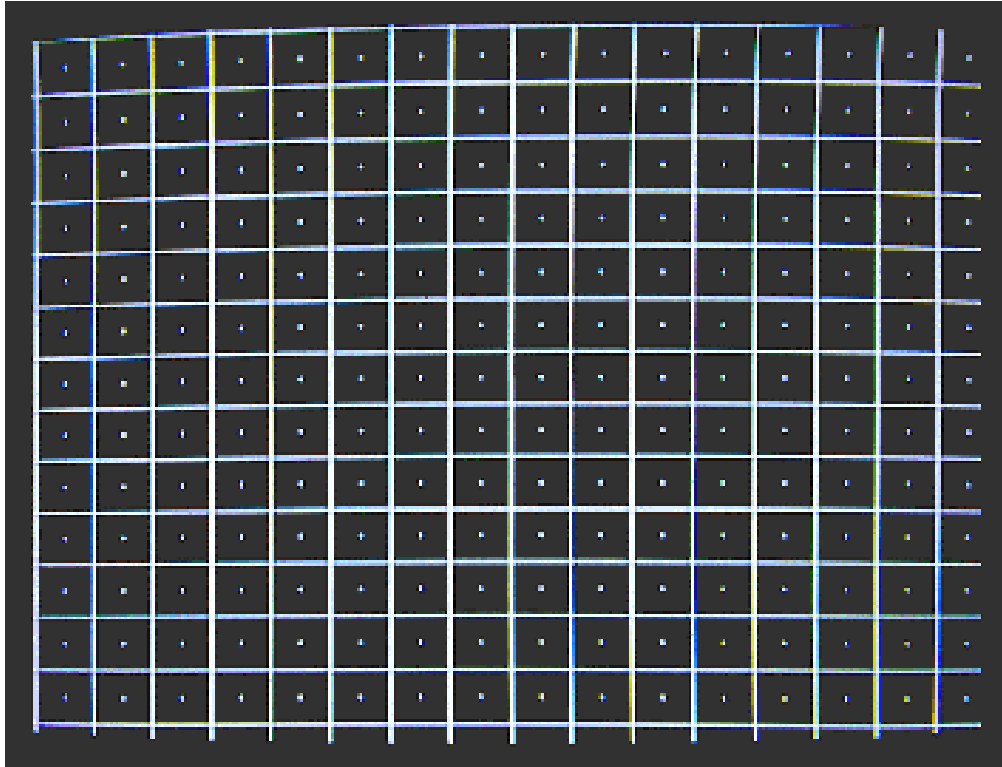


FIGURE 33. NTSC CONVERGENCE TEST PATTERN

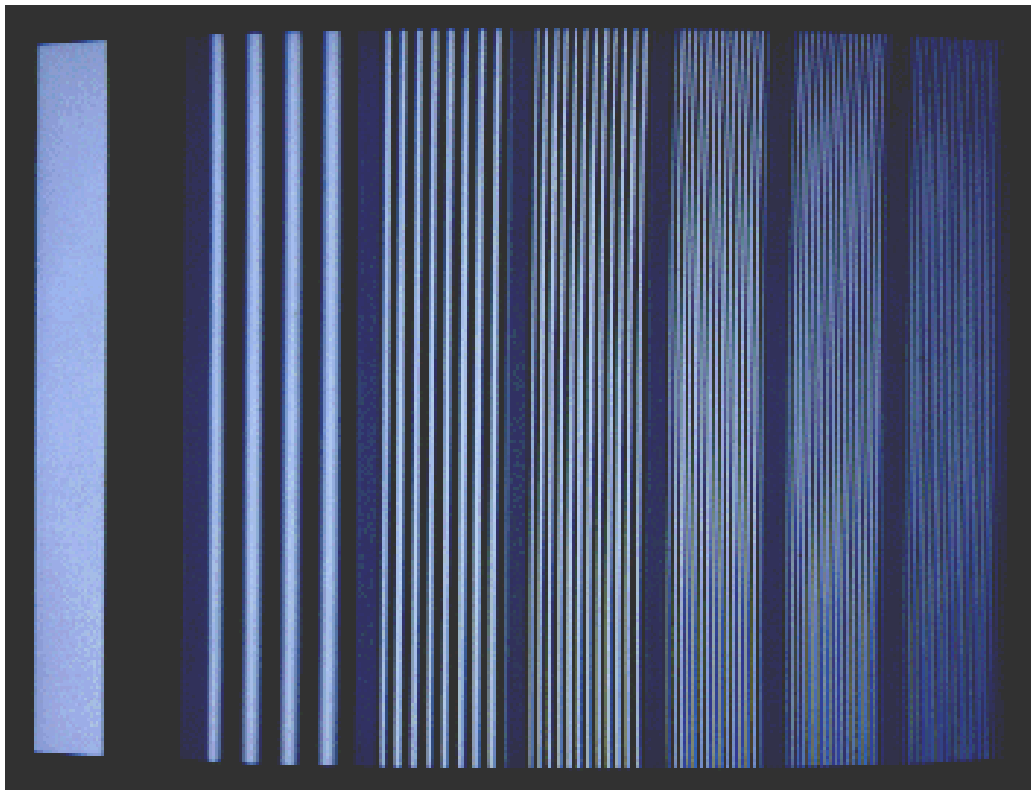


FIGURE 34. NTSC MULTIBURST TEST PATTERN

Typical Performance Curves (Continued)

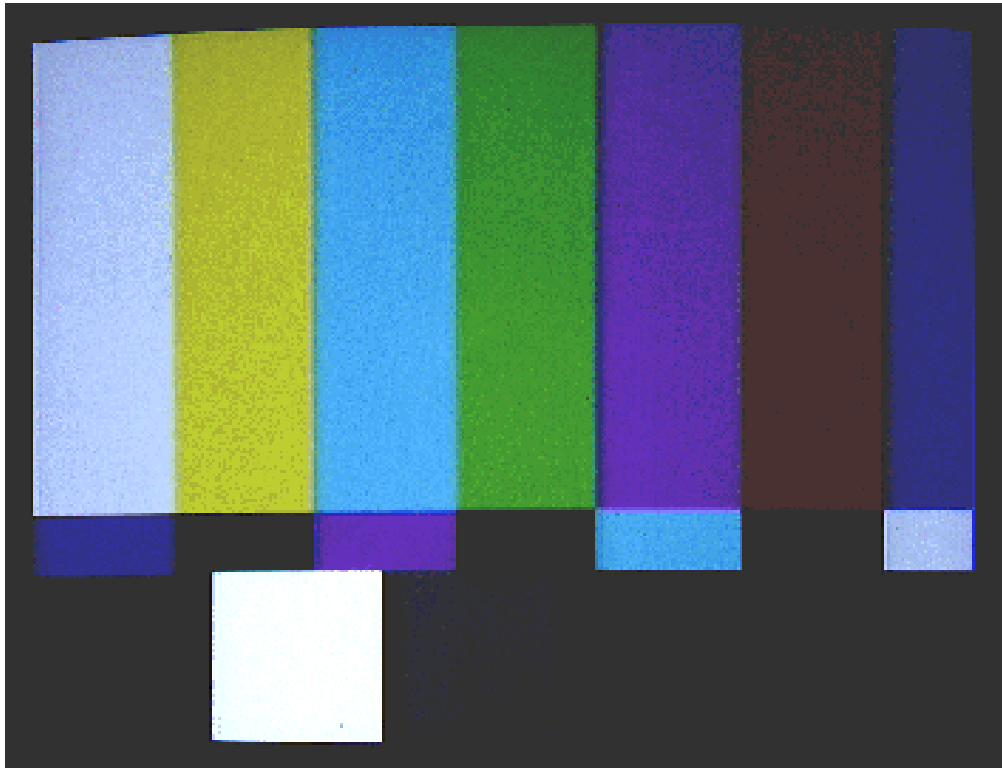


FIGURE 35. NTSC SMPTE COLORBARS TEST PATTERN

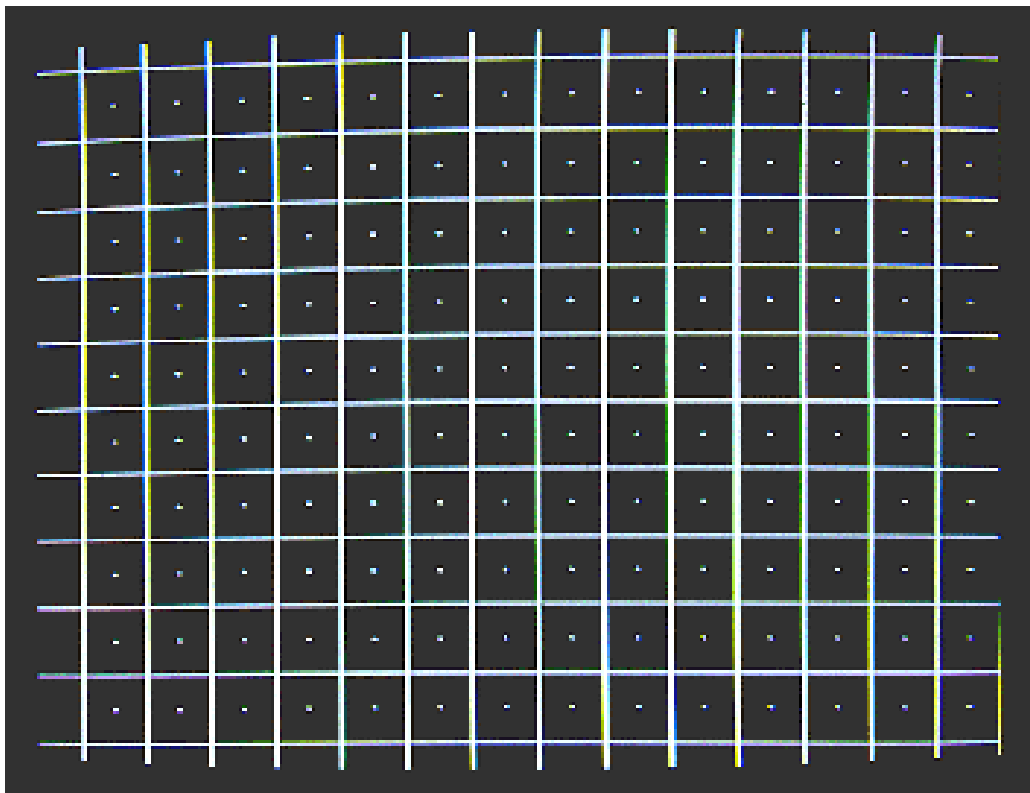


FIGURE 36. PAL CONVERGENCE TEST PATTERN

Typical Performance Curves (Continued)

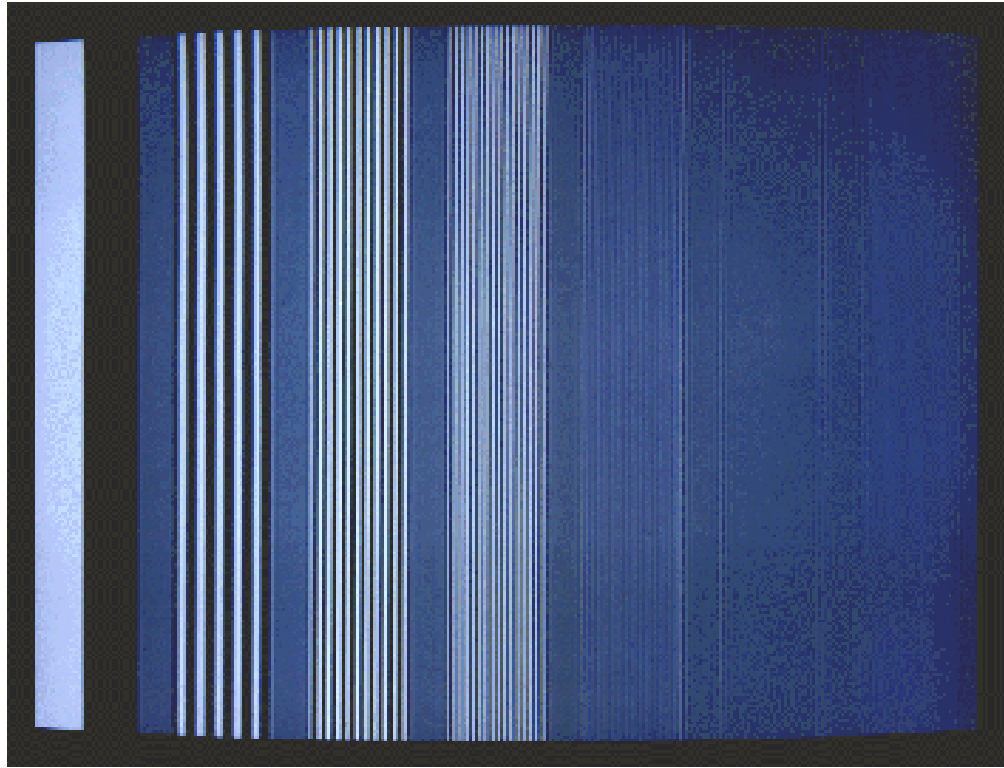


FIGURE 37. PAL MULTIBURST TEST PATTERN

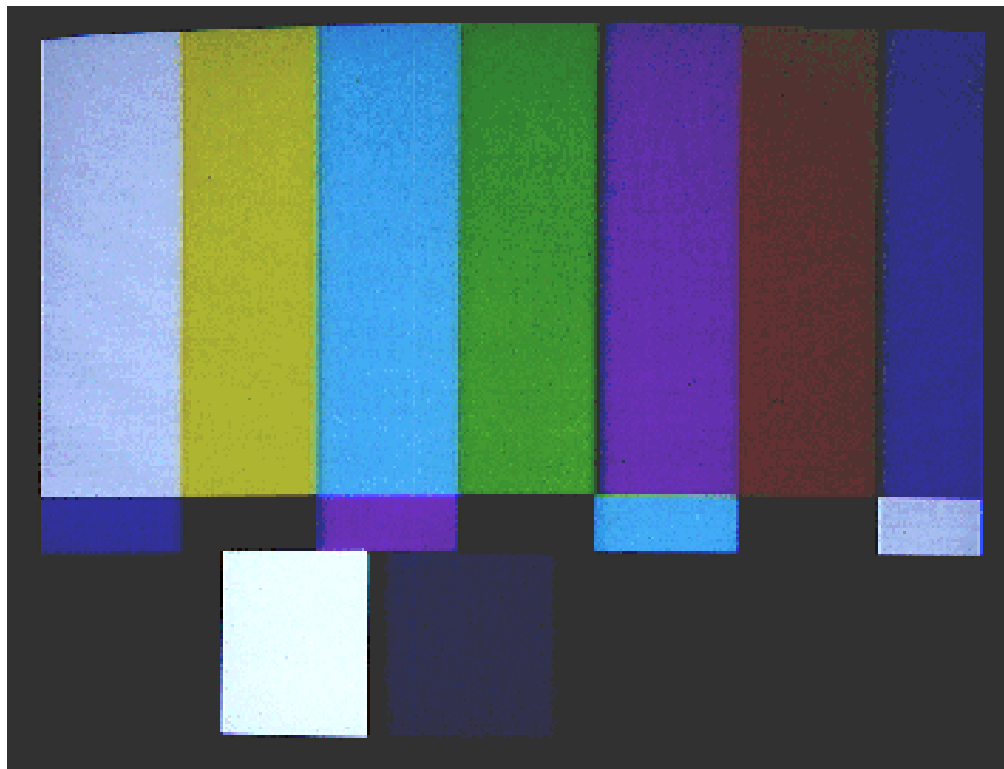


FIGURE 38. PAL SMPTE COLORBARS TEST PATTERN

Typical Performance Curves (Continued)

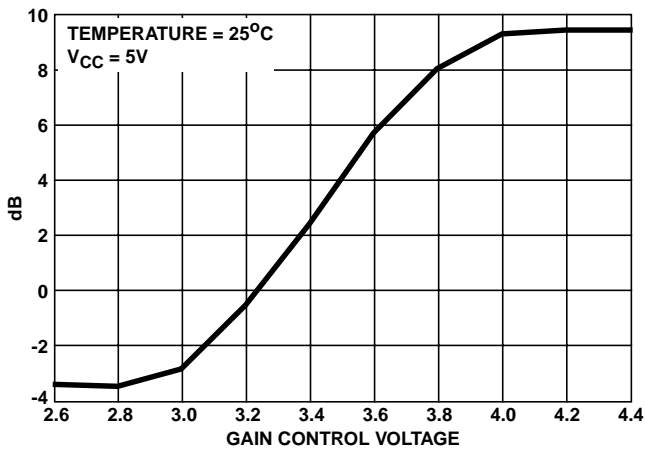


FIGURE 39. CHROMINANCE AMPLIFIER GAIN vs GAIN CONTROL VOLTAGE

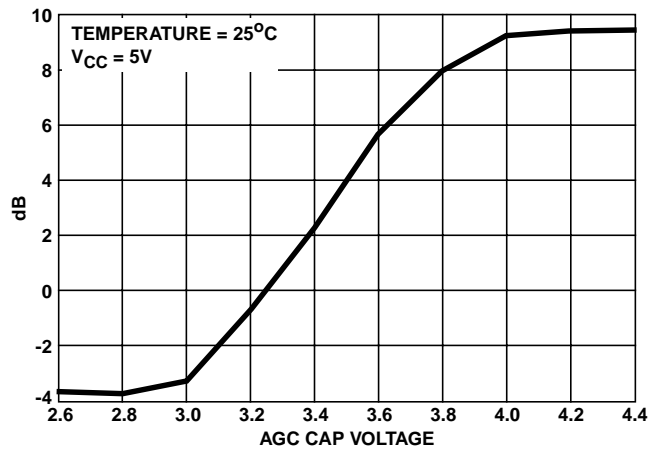


FIGURE 40. LUMINANCE AMPLIFIER GAIN vs AGC CAP VOLTAGE

Timing Waveforms

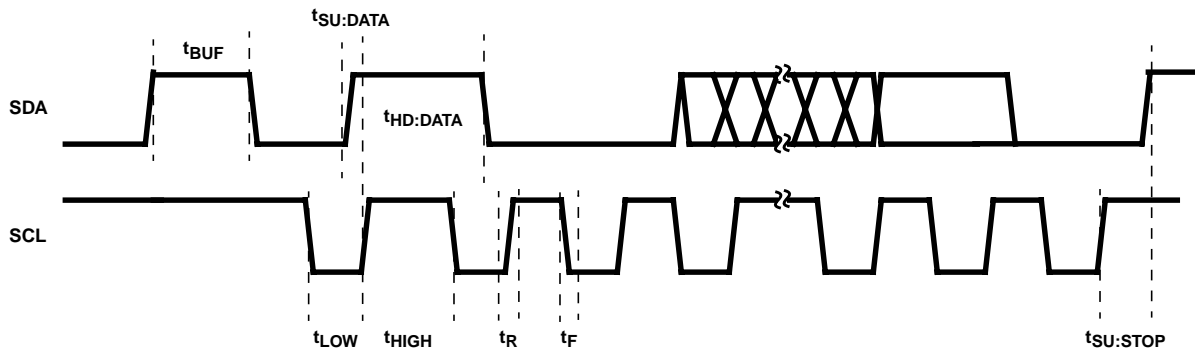


FIGURE 41. TIMING DIAGRAM

PCB Layout Considerations

A PCB board with a minimum of 4 layers is recommended, with layers 1 and 4 (top and bottom) for signals and layers 2 and 3 for power and ground. The PCB layout should implement the lowest possible noise on the power and ground planes by providing excellent decoupling. PCB trace lengths between groups of V_{CC} and GND pins should be as short as possible.

The optimum layout places the HMP8112 as close as possible to the power supply connector and the video output connector.

Component Placement

External components should be positioned as close as possible to the appropriate pin, ideally such that traces can be connected point to point. Chip capacitors are recommended where possible, with radial lead ceramic capacitors the second-best choice.

Power supply decoupling should be done using a $0.1\mu\text{F}$ ceramic capacitor in parallel with a $0.01\mu\text{F}$ chip capacitor for each group of V_{CC} pins to ground. These capacitors should be located as close to the V_{CC} and GND pins as possible, using short, wide traces.

Ground Plane

A common ground plane for all devices, including the HMP8112, is recommended. All GND pins on the HMP8112 must be connected to the ground plane.

Power Planes

The HMP8112 should have its own power plane that is isolated from the common power plane of the board, with a gap between the two power planes of at least $1/8$ inch. All V_{CC} pins on the HMP8112 must be connected to this HMP8112 power plane. The HMP8112 power plane should be connected to the board's normal V_{CC} power plane at a single point through a low-resistance ferrite bead, such as a Ferroxcube 5659065-3B, Fair-Rite 2743001111, or TDK BF45-4001. The ferrite bead provides resistance to switching currents, improving the performance of HMP8112. A single $47\mu\text{F}$ capacitor should also be used between the HMP8112 power plane and the ground plane to control low-frequency power supply ripple.

If a separate linear regulator is used to provide power to the HMP8112 power plane, the power-up sequence should be designed to ensure latchup will not occur. A separate linear regulator is recommended if the power supply noise on the V_{CC} pins exceeds 200mV. About 10% of the noise (that is less than 1MHz) on the V_{CC} pins will couple onto the analog outputs.

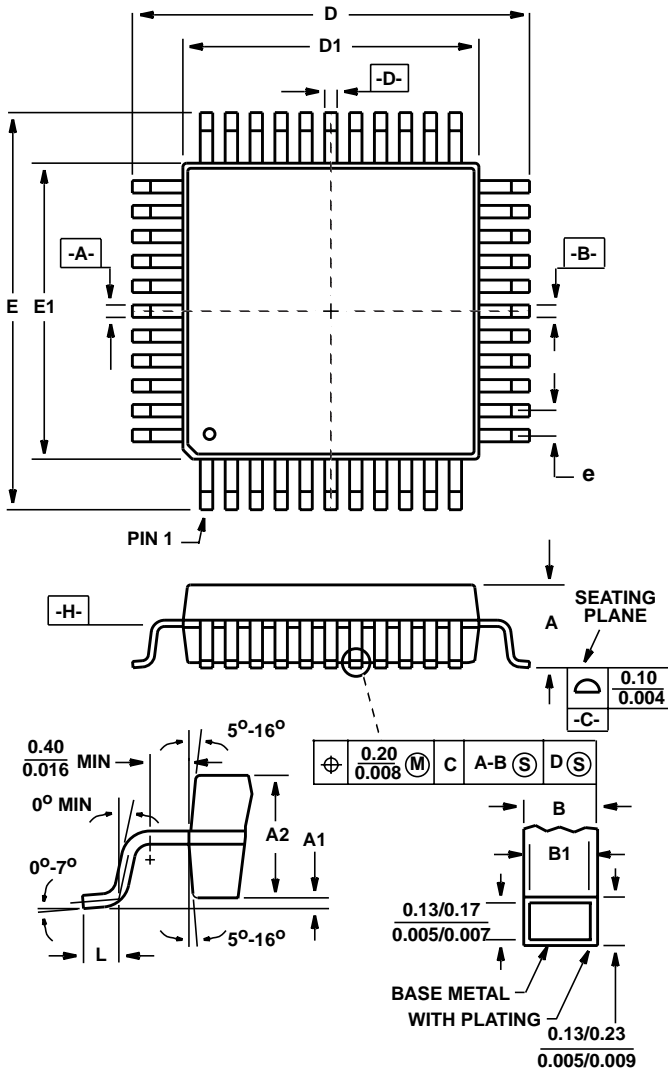
Analog Signals

Traces containing digital signals should not be routed over, under, or adjacent to the analog output traces to minimize crosstalk. If this is not possible, coupling can be minimized by routing the digital signals at a 90 degree angle to the analog signals. The analog output traces should also not overlap the HMP8112 and V_{CC} power planes to maximize high-frequency power supply rejection.

Evaluation Boards

The HMP8112EVAL stand-alone evaluation board allows connecting the NTSC/PAL decoder into an IBM PC ISA slot for evaluation. The board contains the HMP8112 NTSC/PAL decoder, 2 Mbytes of VRAM and an encoder. The board can accept Composite or S-Video input and display video on a stand composite or S-Video display. The ISA bus and evaluation software allows easy plug and play of the decoder for analysis with such tools as a VM700 video test system.

Metric Plastic Quad Flatpack Packages (MQFP/PQFP)



**Q80.14x20 (JEDEC MO-108CB-1 ISSUE A)
80 LEAD METRIC PLASTIC QUAD FLATPACK PACKAGE**

SYM-BOL	INCHES		MILLIMETERS		NOTES
	MIN	MAX	MIN	MAX	
A	-	0.134	-	3.40	-
A1	0.010	-	0.25	-	-
A2	0.100	0.120	2.55	3.05	-
B	0.012	0.018	0.30	0.45	6
B1	0.012	0.016	0.30	0.40	-
D	0.904	0.923	22.95	23.45	3
D1	0.783	0.791	19.90	20.10	4, 5
E	0.667	0.687	16.95	17.45	3
E1	0.547	0.555	13.90	14.10	4, 5
L	0.026	0.037	0.65	0.95	-
N	80		80		7
e	0.032 BSC		0.80 BSC		-
ND	24		24		-
NE	16		16		-

Rev. 0 1/94

NOTES:

1. Controlling dimension: MILLIMETER. Converted inch dimensions are not necessarily exact.
2. All dimensions and tolerances per ANSI Y14.5M-1982.
3. Dimensions D and E to be determined at seating plane [-C-].
4. Dimensions D1 and E1 to be determined at datum plane [-H-].
5. Dimensions D1 and E1 do not include mold protrusion. Allowable protrusion is 0.25mm (0.010 inch) per side.
6. Dimension B does not include dambar protrusion. Allowable dambar protrusion shall be 0.08mm (0.003 inch) total.
7. "N" is the number of terminal positions.