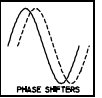
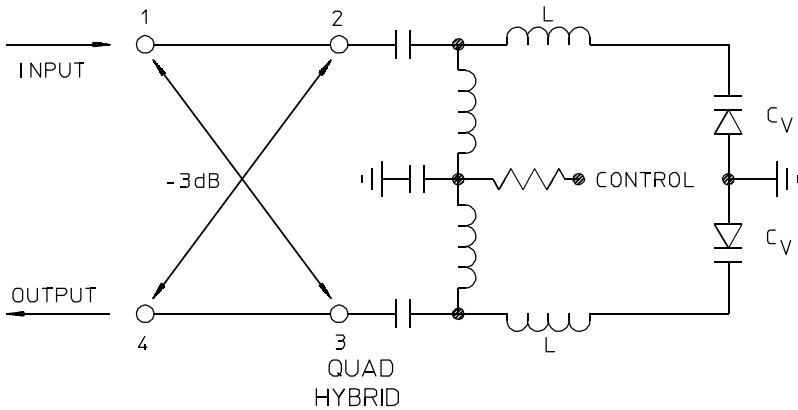


PEF-03A Series

PHASE SHIFTERS

500 to 1500 MHz / Continuous 0° to 180° Adjustment / Voltage Controlled / Low Insertion Loss



PRINCIPAL SPECIFICATIONS

Model Number	Center Frequency, f_0 , MHz	Bandwidth
PEF-03A-***B	500 – 1500	10% of f_0

For complete Model Number replace *** with desired Center Frequency, f_0 in MHz.

General Notes:

1. The PEF series of high frequency, voltage controlled phase shifters combines the latest microstrip and lumped element technologies to provide very high performance in a space saving package.
2. With a center frequency of up to 1500 MHz, these units extend the frequency range of the long established PSEF series which cover the 10 to 500 MHz band.
3. These phase shifters are suitable for systems requiring automatic phase control, closed loop networks and steering of electronically scanned antennas.
4. Merrimac Phase Shifters are designed for high reliability, and can be supplied screened to meet military and space applications.

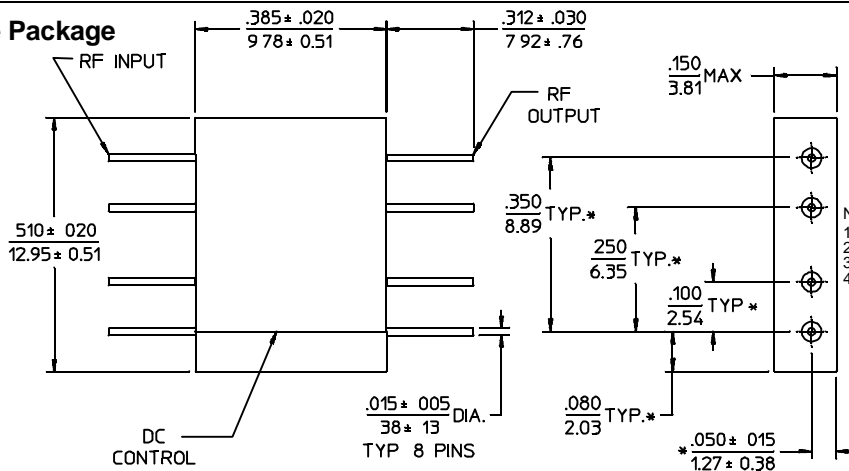
GENERAL SPECIFICATIONS

RF Characteristics	
Bandwidth:	10% min.
Phase Shift Range:	0 to 180° min.
Impedance:	50 Ω nom.
VSWR:	2.0:1 max.
RF Input Level:	0 dBm max.
Insertion Loss:	
1000 - 2000	3 dB max.
500 - 1000	2 dB max.
Control Characteristics	
Control Voltage	0 to +30 VDC
Modulation Rate:	DC to 1% f_0
General Characteristics	
Phase Stability:	0.2° per °C
Weight, nominal:	0.09 oz. (2.5 g)
Operating Temp:	-55° to +85°C

AVAILABLE OPTIONS

Lower Frequencies:	Down to 10 MHz in PSEF series only.
RF Bandwidth:	Up to 20% of f_0
Control:	Negative polarity

A-Size Package



NOTES:

1. Tolerance on 3 place decimals $\pm 0.10(.25)$ except as noted.
2. Dimensions in inches over millimeters.
3. Dimensions marked with * apply only at body.
4. All unmarked pins are case ground.

15Feb96

For further information contact **MERRIMAC / 41 Fairfield Pl., West Caldwell, NJ, 07006 / 973-575-1300 / FAX 973-575-0531**