

**Single Mode 1300 nm 1.0625 GBd  
Fibre Channel 1.3 Gigabit Ethernet  
1x9 Transceiver**

**V23826-K15-Cxx/Cxxx**

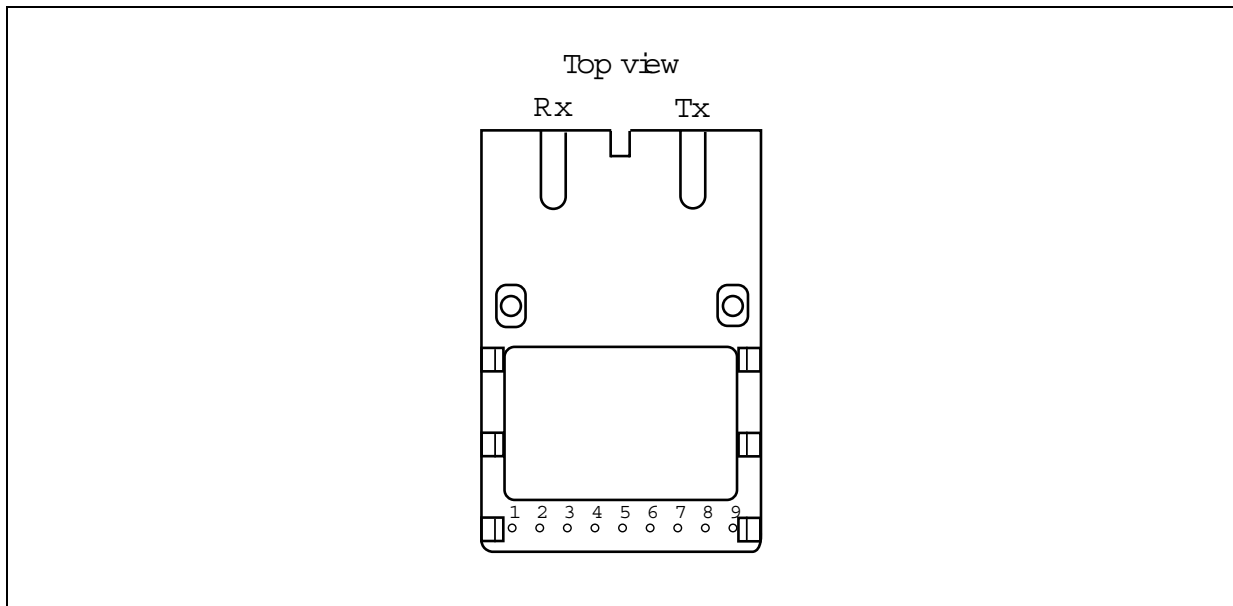
**Features**

- Compliant with Fibre Channel and Gigabit Ethernet standard
- Meets mezzanine standard height of 9.8 mm
- Compact integrated transceiver unit with
  - MQW laser diode transmitter
  - InGaAs PIN photodiode receiver
  - Duplex SC receptacle
- Class 1 FDA and IEC laser safety compliant
- Single power supply (5 V or 3.3 V)
- Signal detect indicator (PECL and TTL version)
- PECL differential inputs and outputs
- Process plug included
- Input Signal Monitor (DC/DC-Version)
- Performance exceeds FC 100-SM-LL-I
- Wave solderable and washable with process plug inserted
- For distances of up to 10 km on single mode fiber, and up to 550 m on multimode fiber (use offset jumper as specified in IEEE 802.3)



Part Number	Voltage	Signal Detect	Input	Output
V23826-K15-C13	5 V	PECL	AC	DC
V23826-K15-C313	3.3 V			
V23826-K15-C53	5 V	TTL	AC	AC
V23826-K15-C353	3.3 V			
V23826-K15-C63 <sup>1)</sup>	5 V	PECL	DC	DC
V23826-K15-C363 <sup>1)</sup>	3.3 V			
V23826-K15-C73	5 V	PECL	AC	AC
V23826-K15-C373	3.3 V			
<b>Add Suffix to PIN</b>	<b>Shield Options</b>			
-C3	Metallized cover, forward springs			
-D3	Metallized cover, backward springs			

<sup>1)</sup> Standard version

**Pin Configuration**

**Figure 1**
**Pin Description**

Pin No.	Symbol	Level/Logic	Function	Description
1	RxV <sub>EE</sub>	Power Supply	Rx Ground	Negative power supply, normally ground
2	RD	PECL Output	Rx Output Data	Receiver output data
3	RDn			Inverted receiver output data
4	RxSD	PECL Output active high (TTL C53/353)	Rx Signal Detect	High level on this output shows there is an optical signal
5	RxV <sub>CC</sub>	Power Supply	Rx 3.3 V/5 V	Positive power supply, 3.3 V/5 V
6	TxV <sub>CC</sub>		Tx 3.3 V/5 V	
7	TxDn	PECL Input	Tx Input Data	Inverted transmitter input data
8	TxD			Transmitter input data
9	TxV <sub>EE</sub>	Power Supply	Tx Ground	Negative power supply, normally ground
S1/S2	Case	Mech. Support	Support	Not connected

**Description**

**Description**

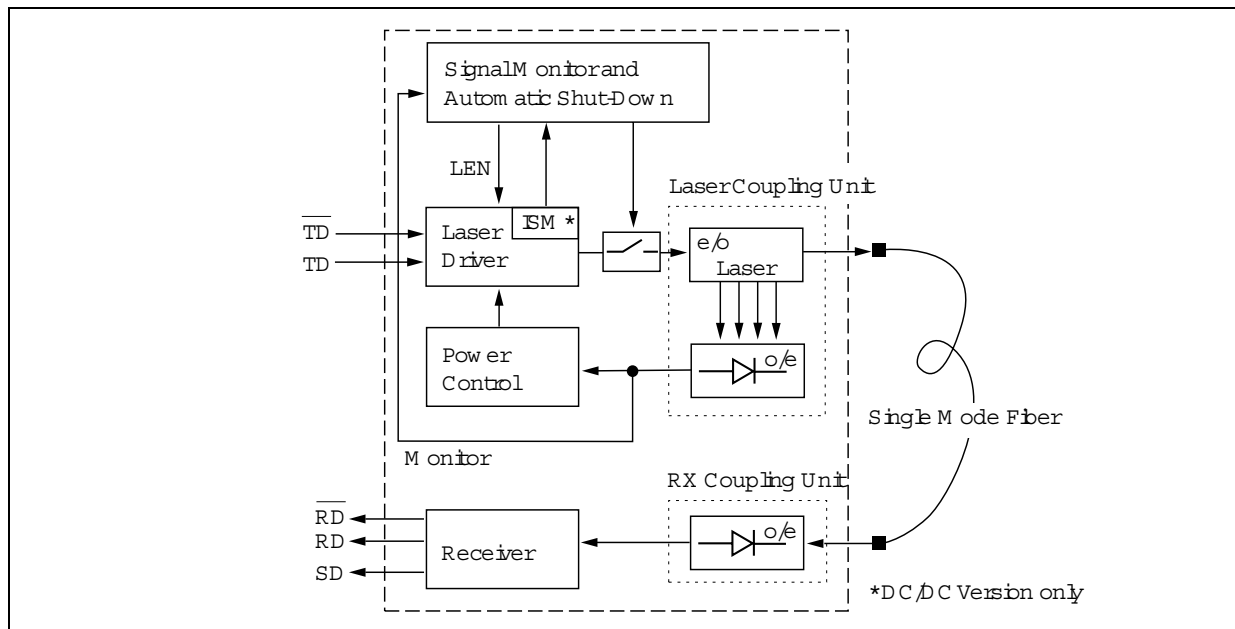
The Infineon single mode transceiver is based on the Physical Medium Depend (PMD) sublayer and baseband medium, type 1000BASE-LX (Long Wavelength Laser) (IEEE 802.5) and complies with the Fibre Channel Physical and Signaling Interface (FC-PH), ANSI X3I TT Fibre Channel Physical Standard Class 100-SM-LL-I, latest Revision. The appropriate fiber optic cable is 9 μm (mode field diameter) single mode fiber (up to 10 km) with Duplex SC connector.

The Infineon single mode transceiver is a single unit comprised of a transmitter, a receiver, and an SC receptacle. This design frees the customer from many alignment and PC board layout concerns. The module is designed for low cost LAN, WAN and Gigabit Ethernet applications. It can be used as the network end device interface in mainframes, workstations, servers, and storage devices, and in a broad range of network devices such as bridges, routers, intelligent hubs, and local and wide area switches.

This transceiver operates at 1.0625 and 1.3 Gbit/s from a single power supply (+5 V or 3.3 V). The full differential data inputs and outputs are PECL compatible.

**Functional Description**

This transceiver is designed to transmit serial data via single mode or multimode cable.



**Figure 2 Functional Diagram**

The receiver component converts the optical serial data into PECL compatible electrical data (RD and RDnot). The Signal Detect (SD, active high) shows whether an optical signal is present.

The transmitter converts electrical PECL compatible serial data (TD and TDnot) into optical serial data.

**Description**

The following versions are available:

- 1 AC/DC Transceiver: Tx is AC coupled. Differential 100  $\Omega$  load. Rx has standard PECL output and is DC coupled.
- 2 AC/AC TTL Transceiver: Tx and Rx are AC coupled. Tx has differential 100  $\Omega$  load. Signal Detect is TTL compatible.
- 3 DC/DC Transceiver: Standard PECL inputs and outputs Tx and Rx are DC coupled. This version contains an Input Signal Monitor (ISM) which switches off the transceiver if a continuous low level is applied at Data Input.
- 4 AC/AC PECL Transceiver: Tx and Rx are AC coupled. Tx has differential 100  $\Omega$  load. Signal Detect is PECL compatible.

The transmitter contains a laser driver circuit that drives the modulation and bias current of the laser diode. The currents are controlled by a power control circuit to guarantee constant output power of the laser over temperature and aging.

The power control uses the output of the monitor PIN diode (mechanically built into the laser coupling unit) as a controlling signal, to prevent the laser power from exceeding the operating limits.

Single fault condition is ensured by means of an integrated automatic shutdown circuit that disables the laser when it detects transmitter failures. A reset is only possible by turning the power off, and then on again.

The transceiver contains a supervisory circuit to control the power supply. This circuit generates an internal reset signal whenever the supply voltage drops below the reset threshold. It keeps the reset signal active for at least 140 milliseconds after the voltage has risen above the reset threshold. During this time the laser is inactive.

**Regulatory Compliance**

<b>Feature</b>	<b>Standard</b>	<b>Comments</b>
Electrostatic Discharge (ESD) to the Electrical Pins	MIL-STD 883C Method 3015.4	Class 1 (> 1000 V)
Immunity: Electrostatic Discharge (ESD) to the Duplex SC Receptacle	EN 61000-4-2 IEC 61000-4-2	Discharges of $\pm 15$ kV with an air discharge probe on the receptacle cause no damage.
Immunity: Radio Frequency Electromagnetic Field	EN 61000-4-3 IEC 61000-4-3	With a field strength of 10 V/m rms, noise frequency ranges from 10 MHz to 1 GHz. No effect on transceiver performance between the specification limits.
Emission: Electromagnetic Interference EMI	FCC Class B EN 55022 Class B CISPR 22	Noise frequency range: 30 MHz to 6 GHz; Margins depend on PCB layout and chassis design

**Technical Data**
**Absolute Maximum Ratings**

Parameter	Symbol	Limit Values		Unit
		min.	max.	
Package Power Dissipation <sup>1)</sup>			1.5	W
Supply Voltage	3.3 V 5 V $V_{CC}-V_{EE}$		4 6	V
Data Input Levels (PECL)			$V_{CC}+0.5$	
Differential Data Input Voltage			2.5	
Operating Ambient Temperature		0	70	°C
Storage Ambient Temperature		-40	85	
Soldering Conditions Temp/Time (MIL-STD 883C, Method 2003)			250/5.5	°C/s

<sup>1)</sup> For  $V_{CC}-V_{EE}$  (min., max.). 50% duty cycle. The supply current does not include the load drive current of the receiver output.

Exceeding any one of these values may destroy the device immediately.

**Recommended Operating Conditions**

Parameter	Symbol	Limit Values			Unit
		min.	typ.	max.	
Ambient Temperature	$T_{AMB}$	0		70	°C
Power Supply Voltage	3.3 V 5 V $V_{CC}-V_{EE}$	3.1 4.75	3.3 5	3.5 5.25	V
Supply Current <sup>1)</sup>	3.3 V 5 V $I_{CC}$			230 270	mA

**Transmitter**

Data Input High Voltage DC/DC	$V_{IH}-V_{CC}$	-1165		-880	mV
Data Input Low Voltage DC/DC	$V_{IL}-V_{CC}$	-1810		-1475	
Data Input Differential Voltage <sup>2)</sup> AC/DC, AC/AC TTL, AC/AC PECL	$V_{DIFF}$	300		800	
Input Data Rise/Fall Time 10% - 90%	$t_R, t_F$	100		750	ps

**Recommended Operating Conditions (cont'd)**

Parameter	Symbol	Limit Values			Unit
		min.	typ.	max.	

**Receiver**

Parameter	Symbol	min.	typ.	max.	Unit
Input Center Wavelength	$\lambda_C$	1270		1355	nm

<sup>1)</sup> For  $V_{CC}-V_{EE}$  (min., max.) 50% duty cycle. The supply current does not include the load drive current of the receiver output.

<sup>2)</sup> Peak to peak voltage of one input.

The electro-optical characteristics described in the following tables are only valid for use under the recommended operating conditions.

**Transmitter Electro-Optical Characteristics**

Parameter	Symbol	Limit Values			Unit
		min.	typ.	max.	
Launched Power (Average) <sup>1)</sup>	$P_O$	-11.0		-3	dBm
Center Wavelength	$\lambda_C$	1270		1355	nm
Spectral Width (RMS)	$\sigma_I$			4	
Relative Intensity Noise	RIN			-120	dB/Hz
Extinction Ratio (Dynamic)	ER	9			dB
Reset Threshold <sup>2)</sup>	$V_{TH}$	5 V 3.3 V	3.5 2.7		V
Reset Time Out <sup>2)</sup>	$t_{RES}$	15	22	35	ms

<sup>1)</sup> Into single mode fiber, 9  $\mu$ m diameter.

<sup>2)</sup> Laser power is shut down if power supply is below  $V_{TH}$  and switched on if power supply is above  $V_{TH}$  after  $t_{RES}$ .

**Receiver Electro-Optical Characteristics**

Parameter	Symbol	Limit Values			Unit
		min.	typ.	max.	
Sensitivity (Average Power) <sup>1)</sup>	$P_{IN}$		-22	-20	dBm
Saturation (Average Power)	$P_{SAT}$			-3	
Signal Detect Assert Level <sup>2)</sup>	$P_{SDA}$			-20	
Signal Detect Deassert Level <sup>3)</sup>	$P_{SDD}$	-30			
Signal Detect Hysteresis	$P_{SDA}$ $-P_{SDD}$		1.5		dB
Signal Detect Assert Time	$t_{ASS}$			100	μs
Signal Detect Deassert Time	$t_{DAS}$			350	
Output Low Voltage <sup>4)</sup>	$V_{OL}-V_{CC}$	-1950		-1600	mV
Output High Voltage <sup>4)</sup>	$V_{OH}-V_{CC}$	-1025		-720	
Signal Detect Output Voltage AC/AC TTL <sup>5)</sup>	Low High $V_{SDL}$ $V_{SDH}$		2.0	0.5	V
Data Output Differential Voltage <sup>6)</sup>	$V_{DIFF}$	0.5		0.9	
Output Data Rise/Fall Time, 20% - 80%	$t_R, t_F$			375	ps
Return Loss of Receiver	$A_{RL}$	12			dB

<sup>1)</sup> Minimum average optical power at which the BER is less than 1x10E-12 or lower. Measured with a 2<sup>7</sup>-1 NRZ PRBS and ER = 9 dB. Output of single mode fiber 9 μm diameter.

<sup>2)</sup> An increase in optical power above the specified level will cause the SIGNAL DETECT output to switch from a Low state to a High state.

<sup>3)</sup> A decrease in optical power below the specified level will cause the SIGNAL DETECT to change from a High state to a Low state.

<sup>4)</sup> DC/DC, AC/DC for data. DC/DC, AC/DC, AC/AC PECL for Signal Detect. PECL compatible. Load is 50 Ω into  $V_{CC}-2$  V for data, 500 Ω to  $V_{EE}$  for Signal Detect. Measured under DC conditions. For dynamic measurements a tolerance of 50 mV should be added.  $V_{CC} = 3.3$  V/5 V.  $T_{AMB} = 25^{\circ}$ C.

<sup>5)</sup> Max. output current high: -0.4 mA (drive current) low: +2.0 mA (sink current)

<sup>6)</sup> AC/AC for data. Load 50 Ω to GND or 100 Ω differential. For dynamic measurement a tolerance of 50 mV should be added.

**Eye Safety**

**Eye Safety**

This laser based single mode transceiver is a Class 1 product. It complies with IEC 60825-1 and FDA 21 CFR 1040.10 and 1040.11.

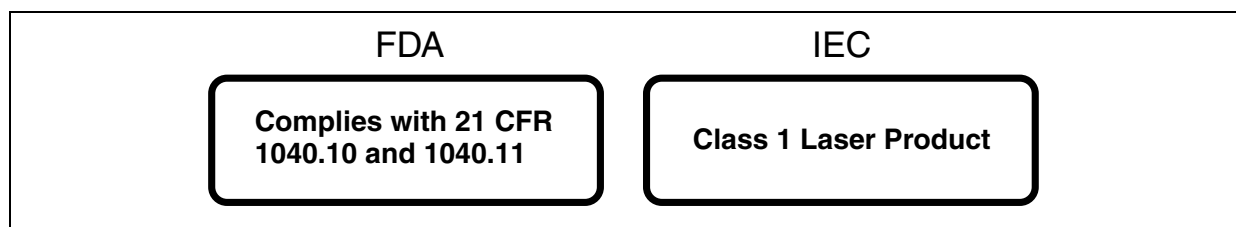
To meet laser safety requirements the transceiver shall be operated within the Absolute Maximum Ratings.

**Attention: All adjustments have been made at the factory prior to shipment of the devices. No maintenance or alteration to the device is required. Tampering with or modifying the performance of the device will result in voided product warranty.**

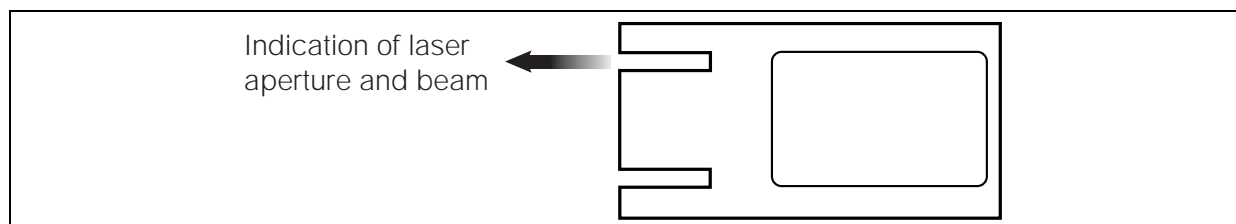
*Note: Failure to adhere to the above restrictions could result in a modification that is considered an act of “manufacturing”, and will require, under law, recertification of the modified product with the U.S. Food and Drug Administration (ref. 21 CFR 1040.10 (i)).*

**Laser Data**

Wavelength	1300 nm
Total output power (as defined by IEC: 50 mm aperture at 10 cm distance)	less than 2 mW
Total output power (as defined by FDA: 7 mm aperture at 20 cm distance)	less than 180 $\mu$ W
Beam divergence	4°



**Figure 3 Required Labels**



**Figure 4 Laser Emission**



**Application Notes**

Gigabit transceivers and matching circuits are high frequency components and shall be terminated as recommended in the application notes for proper EMI performance. Electromagnetic emission may be caused by these components.

To prevent emissions it is recommended that cutouts for the fiber connectors be designed as small as possible.

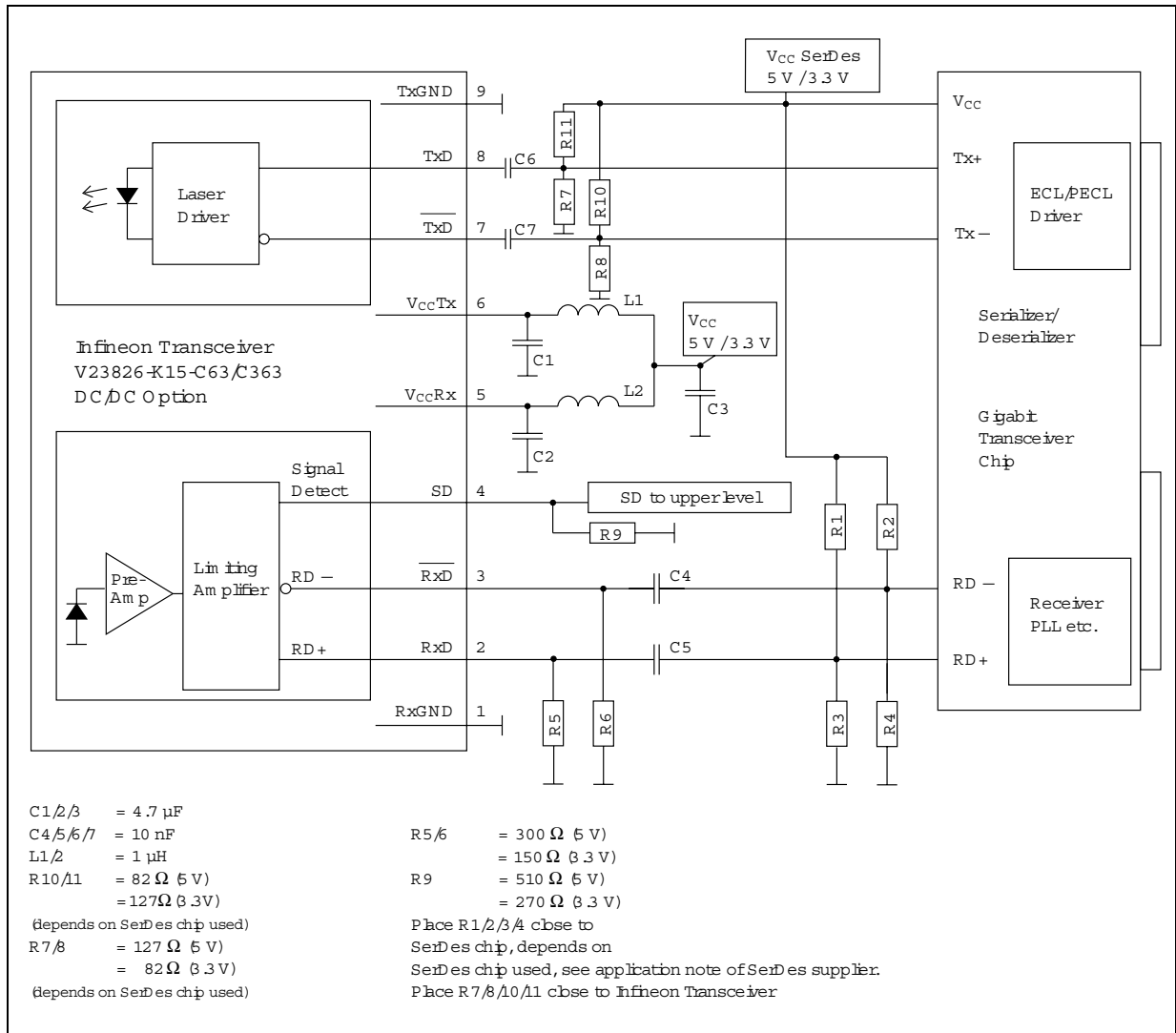
It is strongly recommended that the Tx plug and the Rx plug be separated with a bar that divides the duplex SC opening.

If shielded parts are employed, they should be in proper contact with the bezel (back plane).

Since the shield is galvanically isolated from signal ground it is strongly recommended to prevent any contact between shield and the circuitry i.e. even any ground connection on the pcb may be harmful to EMI performance.

In cases where EMI performance becomes critical it has proven to be helpful when using SC-plugs with less metal parts inside (as Infineon fibers).

**Single Mode 1300 nm Gigabit Ethernet/Fibre Channel 1x9 Transceiver, DC/DC Version**



**Figure 5**

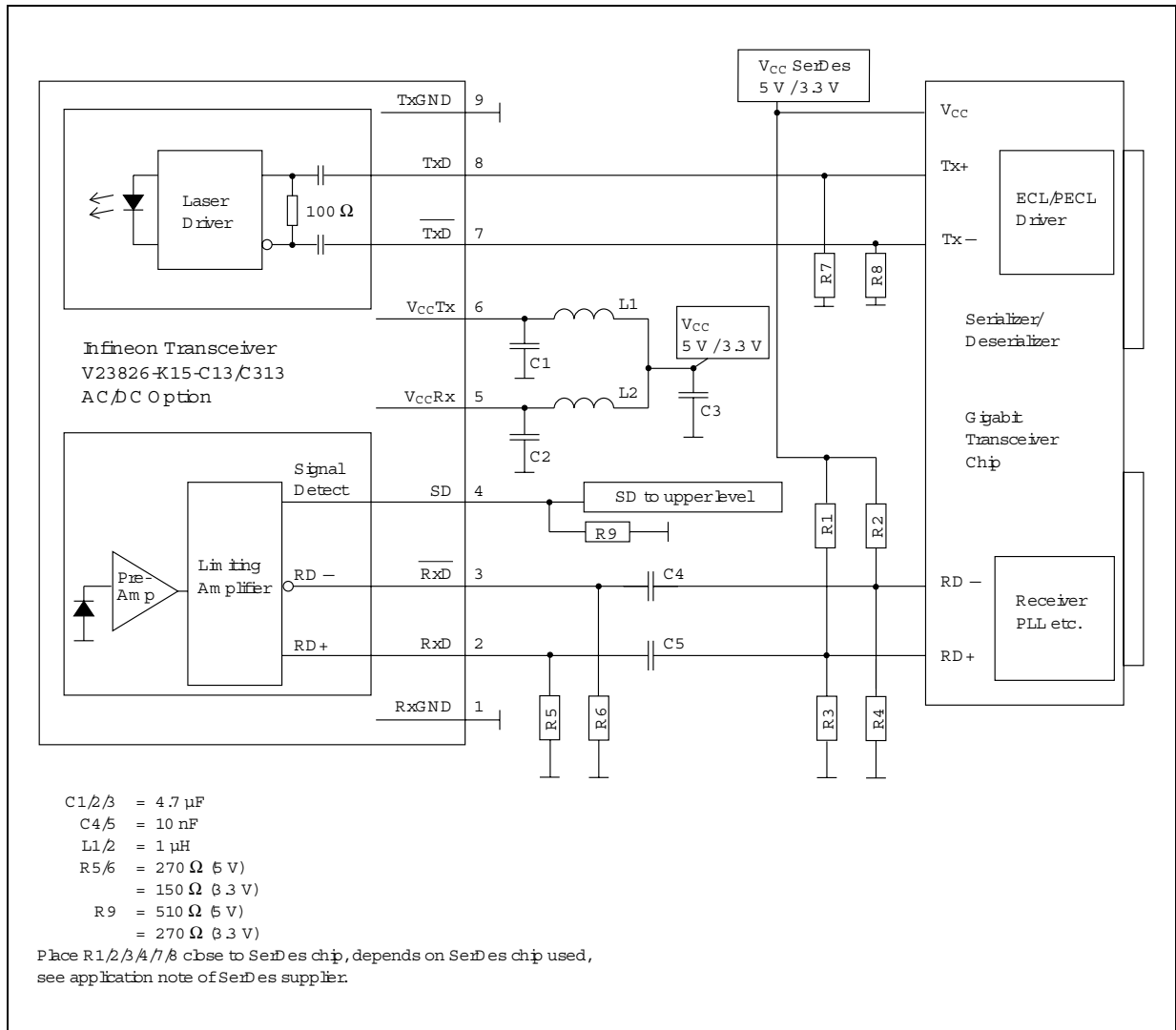
Values of R1/2/3/4 may vary as long as proper 50  $\Omega$  termination to  $V_{EE}$  or 100  $\Omega$  differential is provided. The power supply filtering is required for good EMI performance. Use short tracks from the inductor L1/L2 to the module  $V_{CC}Rx/V_{CC}Tx$ . We recommend a GND plane under the module for getting good EMI performance.

The transceiver contains an automatic shutdown circuit. Reset is only possible if the power is turned off, and then on again. ( $V_{CC}Tx$  switched below  $V_{TH}$ ).

Application Board available on request.

**The stud pins S1 and S2 are not connected.**

**Single Mode 1300 nm Gigabit Ethernet/Fibre Channel 1x9 Transceiver, AC/DC Version**



**Figure 6**

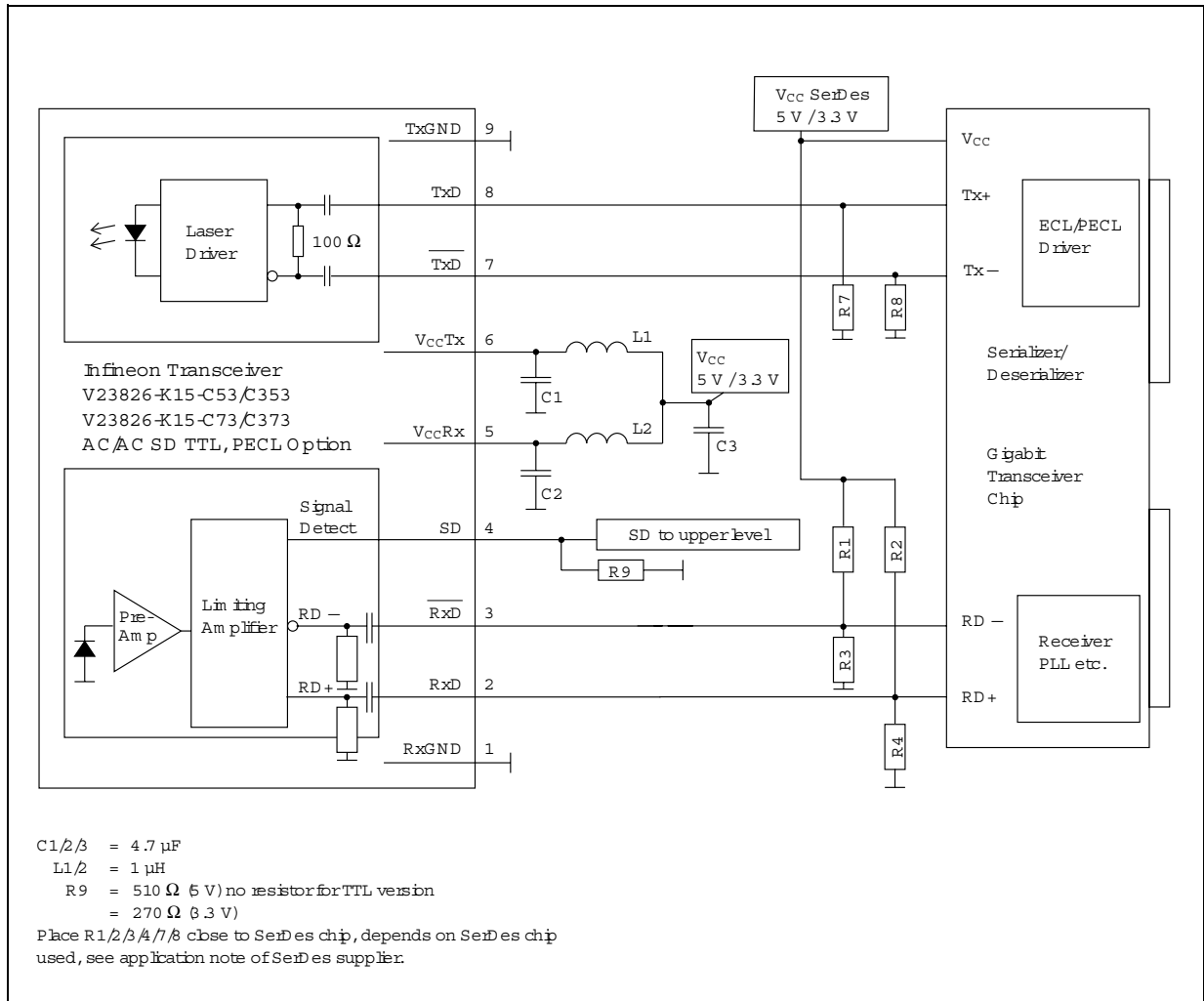
Values of R1/2/3/4 may vary as long as proper 50  $\Omega$  termination to VEE or 100  $\Omega$  differential is provided. The power supply filtering is required for good EMI performance. Use short tracks from the inductor L1/L2 to the module  $V_{CC}Rx/V_{CC}Tx$ . We recommend a GND plane under the module for getting good EMI performance.

The transceiver contains an automatic shutdown circuit. Reset is only possible if the power is turned off, and then on again. ( $V_{CC}Tx$  switched below  $V_{TH}$ ).

Application Board available on request.

**The stud pins S1 and S2 are not connected.**

**Single Mode 1300 nm Gigabit Ethernet/Fibre Channel 1x9 Transceiver, AC/AC TTL and AC/AC PECL Versions**



**Figure 7**

The power supply filtering is required for good EMI performance. Use short tracks from the inductor L1/L2 to the module  $V_{CC}Rx/V_{CC}Tx$ . We recommend a GND plane under the module for getting good EMI performance.

The transceiver contains an automatic shutdown circuit. Reset is only possible if the power is turned off, and then on again. ( $V_{CC}Tx$  switched below  $V_{TH}$ ).

Application Board available on request.

**The stud pins S1 and S2 are not connected.**

Shield Options

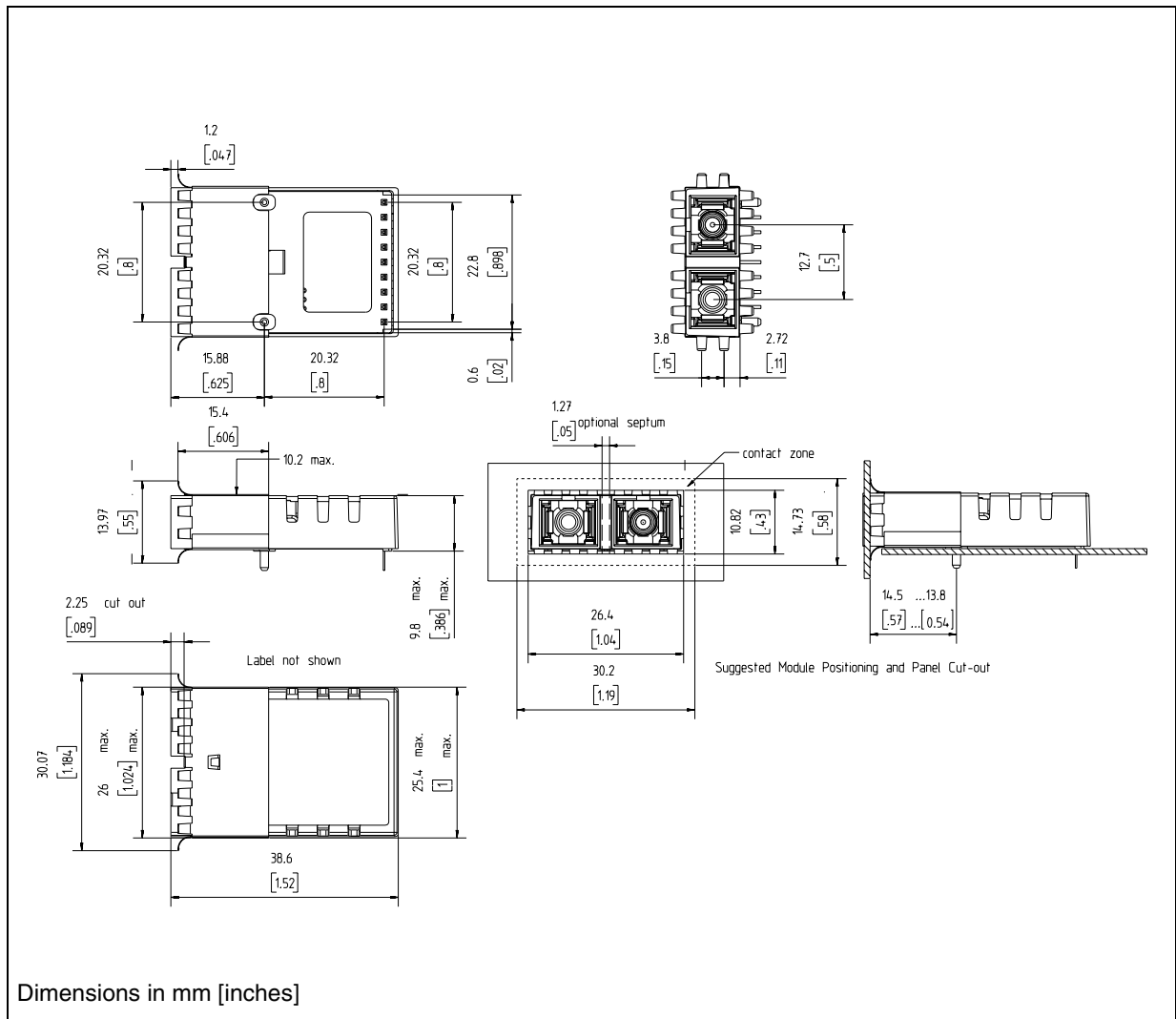


Figure 8 Shield with Forward Springs, -C3

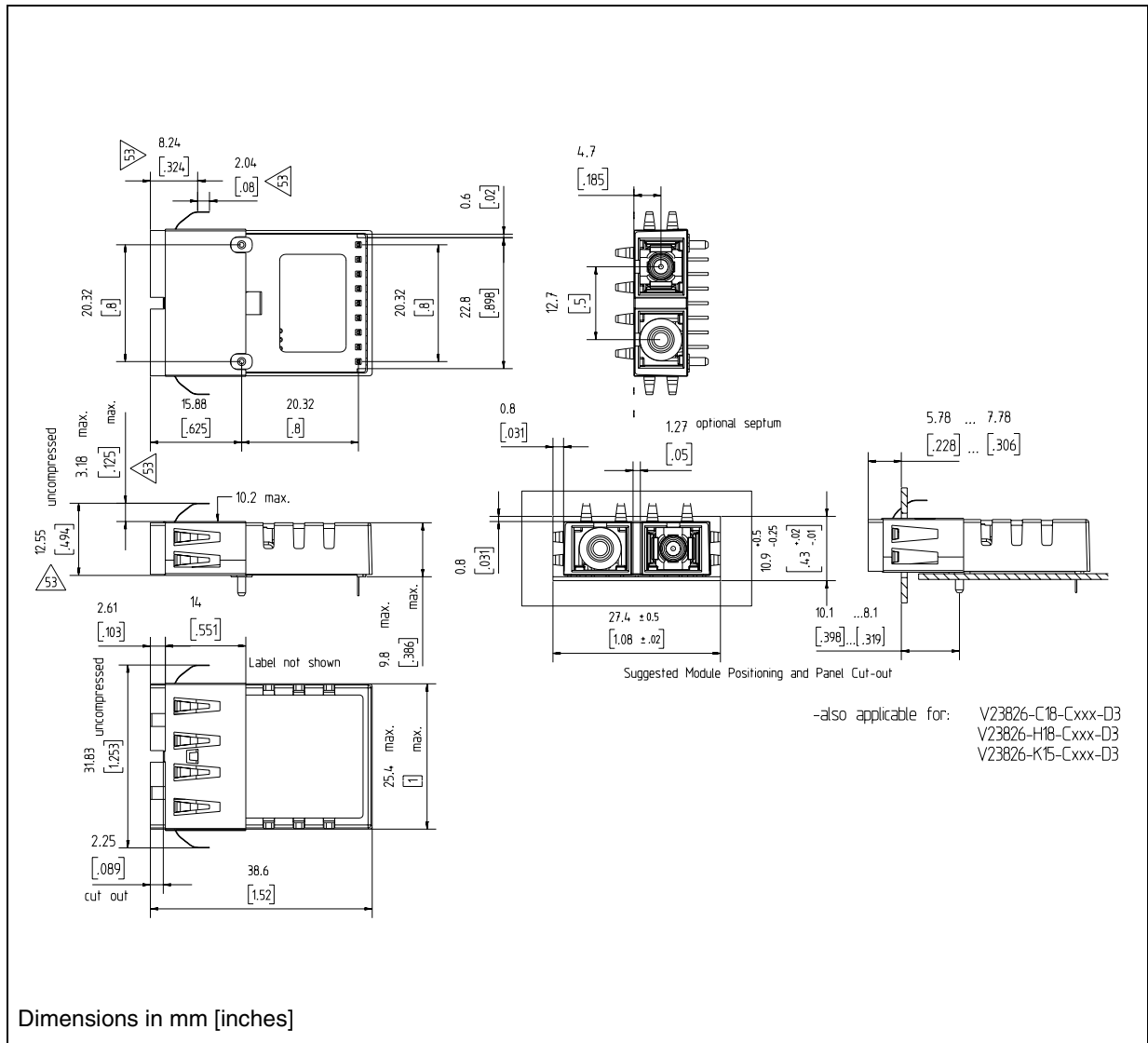


Figure 9 Shield with Backward Springs, -D3

Package Outlines

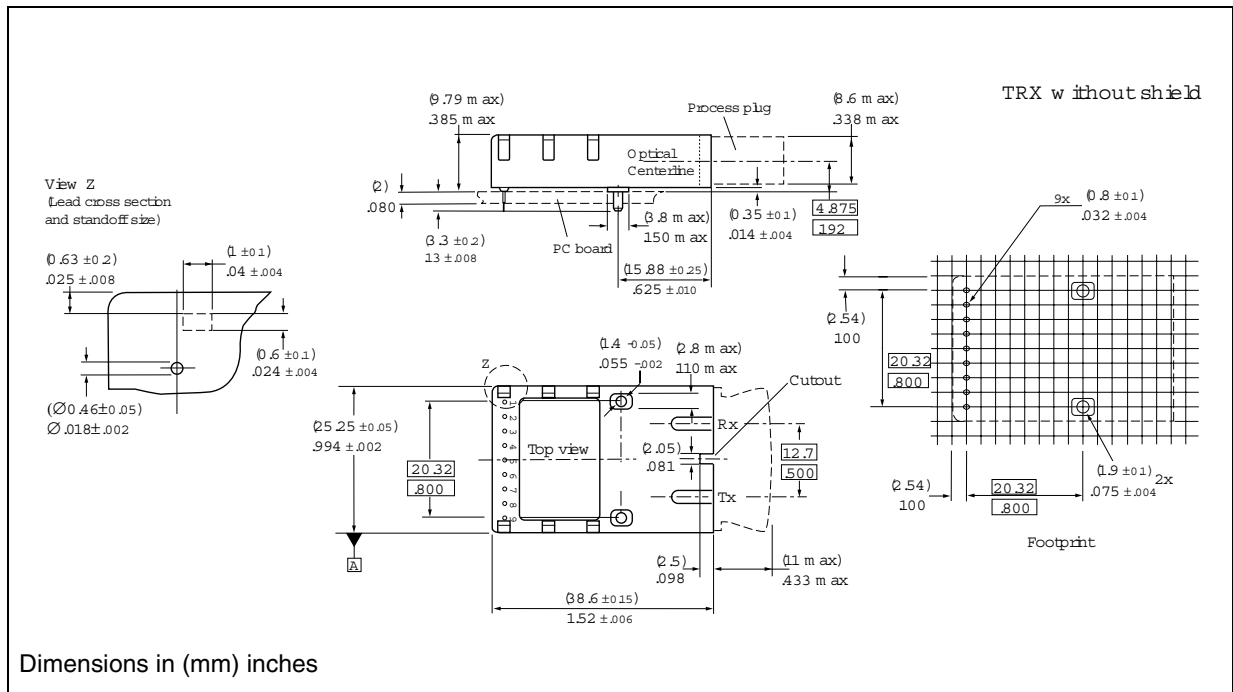


Figure 10

**Revision History: 2000-03-09****DS0**

Previous Version:

<b>Page</b>	<b>Subjects (major changes since last revision)</b>
	Document's layout has been changed: 2002-Aug.

For questions on technology, delivery and prices please contact the Infineon Technologies Offices in Germany or the Infineon Technologies Companies and Representatives worldwide: see our webpage at <http://www.infineon.com>.

**Edition 2000-03-09**

**Published by Infineon Technologies AG,  
St.-Martin-Strasse 53,  
D-81541 München, Germany**

**© Infineon Technologies AG 2002.  
All Rights Reserved.**

**Attention please!**

The information herein is given to describe certain components and shall not be considered as warranted characteristics.

Terms of delivery and rights to technical change reserved.

We hereby disclaim any and all warranties, including but not limited to warranties of non-infringement, regarding circuits, descriptions and charts stated herein.

Infineon Technologies is an approved CECC manufacturer.

**Information**

For further information on technology, delivery terms and conditions and prices please contact your nearest Infineon Technologies Office in Germany or our Infineon Technologies Representatives worldwide.

**Warnings**

Due to technical requirements components may contain dangerous substances. For information on the types in question please contact your nearest Infineon Technologies Office.

Infineon Technologies Components may only be used in life-support devices or systems with the express written approval of Infineon Technologies, if a failure of such components can reasonably be expected to cause the failure of that life-support device or system, or to affect the safety or effectiveness of that device or system. Life-support devices or systems are intended to be implanted in the human body, or to support and/or maintain and sustain and/or protect human life. If they fail, it is reasonable to assume that the health of the user or other persons may be endangered.