

### Features

- 40V<sub>P-P</sub> differential output drive into 100Ω
- -85dBc typical driver output distortion at full output at 150kHz
- Low quiescent current of 7.5mA per amplifier

### Applications

- ADSL G.lite CO line driving
- G.SHDSL, HDSL2 line drivers
- ADSL full rate CPE line driving
- Video distribution amplifiers
- Video twisted-pair line drivers

### Ordering Information

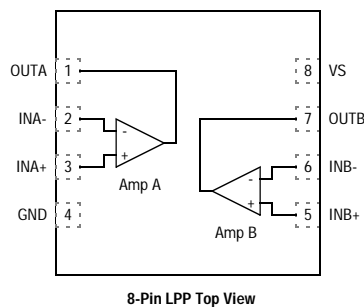
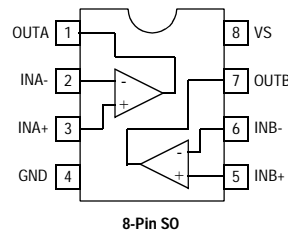
Part No	Package	Tape & Reel	Outline #
EL1510CS	8-Pin SO	-	MDP0027
EL1510CS-T7	8-Pin SO	7"	MDP0027
EL1510CS-T13	8-Pin SO	13"	MDP0027
EL1510CL	8-Pin LPP	-	MDP0047
EL1510CL-T7	8-Pin LPP	7"	MDP0047
EL1510CL-T13	8-Pin LPP	13"	MDP0047

### General Description

The EL1510C is a dual operational amplifier designed for central office and customer premise line driving in both SDSL and ADSL solutions. This device features a high drive capability of 250mA while consuming only 7.5mA of supply current per amplifier, operating from ±12V supplies. This driver achieves a typical distortion of less than -85dBc, at 150kHz into a 25Ω load. The EL1510CL is available in the power 8-pin LPP package and is specified for operation over the full -40°C to +85°C temperature range. The LPP package has the potential for a very low junction to ambient thermal resistance of 43°C/W, making it suitable for high power applications. The EL1510CS is in the 8-pin SO package and thus is limited to applications where the power dissipation in the device is less than 781mW.

The EL1510C is ideal for CPE modem applications in ADSL, HDSL2, G.SHDSL, and VDSL.

### Connection Diagrams



Note: All information contained in this data sheet has been carefully checked and is believed to be accurate as of the date of publication; however, this data sheet cannot be a "controlled document". Current revisions, if any, to these specifications are maintained at the factory and are available upon your request. We recommend checking the revision level before finalization of your design documentation.

# ***EL1510C - Product Brief***

*Medium Power Differential Line Driver*

## **General Disclaimer**

Specifications contained in this data sheet are in effect as of the publication date shown. Elantec, Inc. reserves the right to make changes in the circuitry or specifications contained herein at any time without notice. Elantec, Inc. assumes no responsibility for the use of any circuits described herein and makes no representations that they are free from patent infringement.

***élantec***

HIGH PERFORMANCE ANALOG INTEGRATED CIRCUITS

## **Elantec Semiconductor, Inc.**

675 Trade Zone Blvd.

Milpitas, CA 95035

Telephone: (408) 945-1323

(888) ELANTEC

Fax: (408) 945-9305

European Office: +44-118-977-6020

Japan Technical Center: +81-45-682-5820

## **WARNING - Life Support Policy**

Elantec, Inc. products are not authorized for and should not be used within Life Support Systems without the specific written consent of Elantec, Inc. Life Support systems are equipment intended to support or sustain life and whose failure to perform when properly used in accordance with instructions provided can be reasonably expected to result in significant personal injury or death. Users contemplating application of Elantec, Inc. Products in Life Support Systems are requested to contact Elantec, Inc. factory headquarters to establish suitable terms & conditions for these applications. Elantec, Inc.'s warranty is limited to replacement of defective components and does not cover injury to persons or property or other consequential damages.