

### SMD Choke Coils

Series: **S**  
 Type: **ELL5PS**



Type ELL5PS

#### ■ Features

- Magnetically shielded structure
- Low DC resistance and large current capability

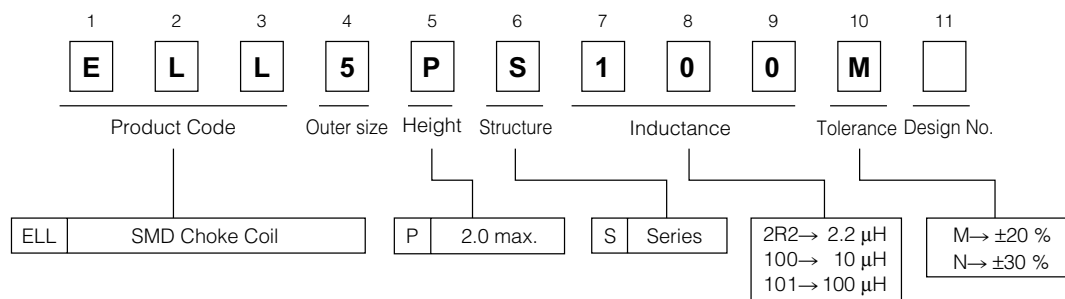
#### ■ Recommended Applications

- DC-DC converter circuitry for computer peripherals and cellular phones.
- Chopper circuit decoupling chokes for DC-DC converter circuitry

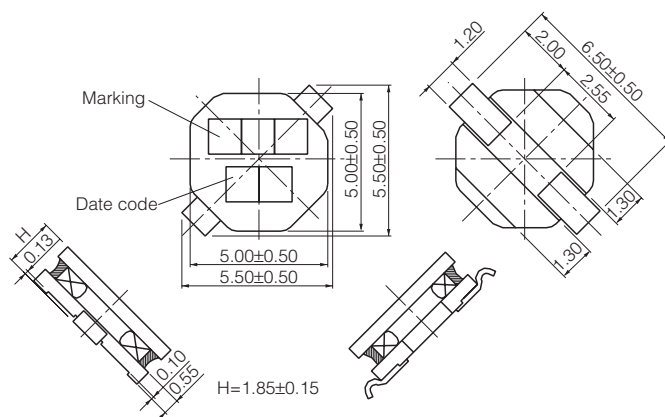
#### ■ Standard Packing Quantity

- 2000 pcs./Reel

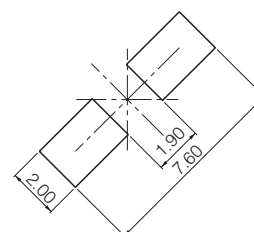
#### ■ Explanation of Part Numbers



#### ■ Dimensions in mm (not to scale)



#### ■ Recommended Land Pattern in mm (not to scale)

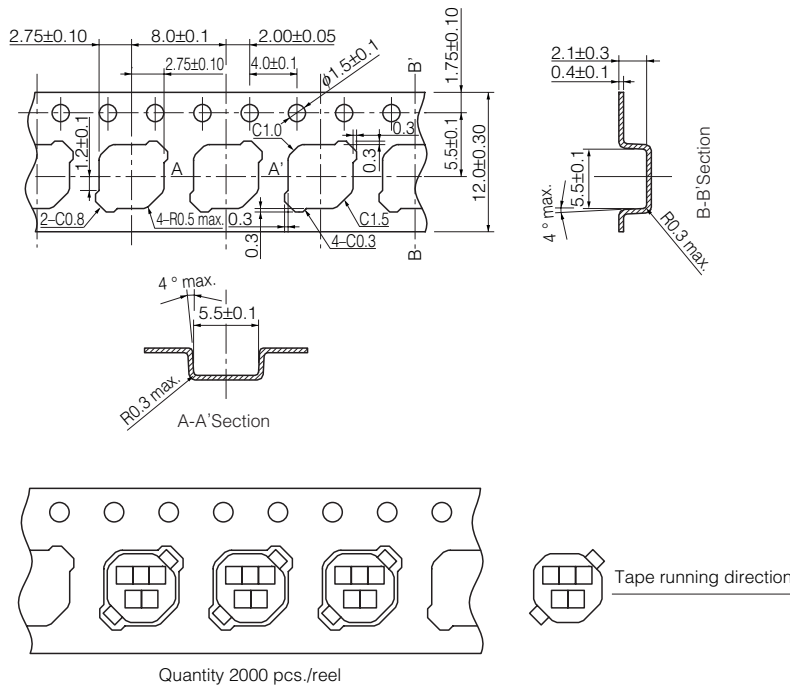


### Standard Parts

Part Number	Inductance (100 kHz)		R <sub>DC</sub> (at 20 °C)		*Rated Current (mA max.)	Marking
	(μH)	Tol.	(mΩ)	Tol.		
ELL5PS1R2N	1.2	±30 %	22	±20 %	2500	1R2
ELL5PS1R5N	1.5		28		2400	1R5
ELL5PS2R2N	2.2		34		2100	2R2
ELL5PS2R7N	2.7		40		2000	2R7
ELL5PS3R3N	3.3		46		1900	3R3
ELL5PS4R7N	4.7		61		1500	4R7
ELL5PS100M	10.0	±20 %	120		1000	100
ELL5PS150M	15.0		170		790	150
ELL5PS220M	22.0		290		650	220
ELL5PS330M	33.0		470		490	330
ELL5PS470M	47.0		620		450	470
ELL5PS560M	56.0		680		430	560
ELL5PS680M	68.0		750	380	680	
ELL5PS820M	82.0		1160	340	820	
ELL5PS101M	100.0		1320	300	101	

\* Current: This indicates the value of current when the inductance is 70 % of nominal value or when case temperature has risen 45 °C (at 20 °C)

### Embossed Carrier Tape Dimensions in mm (not to scale)



Design and specifications are each subject to change without notice. Ask factory for the current technical specifications before purchase and/or use. Should a safety concern arise regarding this product, please be sure to contact us immediately.