

Precision Monolithic Quad SPST Low-Voltage CMOS Analog Switches

FEATURES

- 2.7- thru 12-V Single Supply or ± 3 - thru ± 6 -Dual Supply
- On-Resistance— $r_{DS(on)}$: 17 Ω
- Fast Switching— t_{ON} : 20 ns
— t_{OFF} : 12 ns
- TTL, CMOS Compatible
- Low Leakage: 0.25 nA
- 2000-V ESD Protection

BENEFITS

- Widest Dynamic Range
- Low Signal Errors and Distortion
- Break-Before-Make Switching Action
- Simple Interfacing

APPLICATIONS

- Precision Automatic Test Equipment
- Precision Data Acquisition
- Communication Systems
- Battery Powered Systems
- Computer Peripherals
- SDSL, DSLAM
- Audio and Video Signal Routing

DESCRIPTION

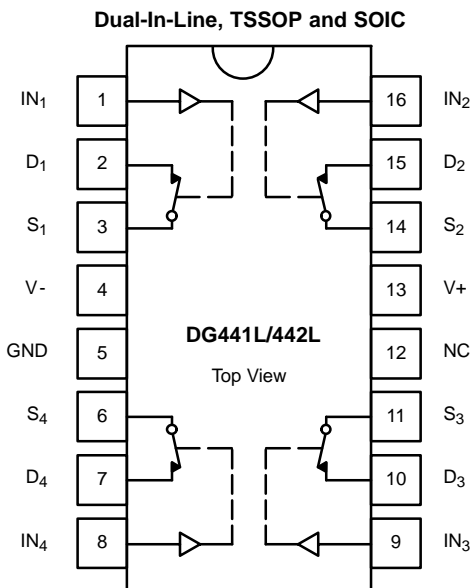
The DG441L/442L are low voltage pin-for-pin compatible companion devices to the industry standard DG441L/442L with improved performance

Using BiCMOS wafer fabrication technology allows the DG441L/442L to operate on single and dual supplies. Single supply voltage ranges from 3 to 12 V while dual supply operation is recommended with ± 3 to ± 6 V.

Combining high speed (t_{ON} : 20 ns), flat $r_{DS(on)}$ over the analog signal range (5 Ω), minimal insertion lose (-3 dB at 280 MHz), and excellent crosstalk and off-isolation performance (-50 dB at 50 MHz), the DG441L/442L are ideally suited for audio and video signal switching.

The DG441L/442L responds to opposite control logic as shown in the Truth Table. open and two normally closed switches.

FUNCTIONAL BLOCK DIAGRAM AND PIN CONFIGURATION



TRUTH TABLE		
Logic	DG441L	DG442L
0	ON	OFF
1	OFF	ON

Logic "0" ≤ 0.8 V
Logic "1" ≥ 2.4 V

ORDERING INFORMATION		
Temp Range	Package	Part Number
-40 to 85°C	16-Pin TSSOP	DG441LDQ
		DG442LDQ
	16-Pin Narrow SOIC	DG441LDY
		DG442LDY
-55 to 125°C	16-Pin CerDIP	DG441LAK, DG441LAK/883
		DG442LAK, DG442LAK/883
	LCC-20	DG441LAZ/883
		DG442LAZ/883

ABSOLUTE MAXIMUM RATINGS

V+ to V-	-0.3 to 13 V
GND to V-	7 V
Digital Inputs ^a V _S , V _D	GND -0.3 to (V+ + 0.3 V)
	or 30 mA, whichever occurs first
Continuous Current (Any Terminal)	30 mA
Current, S or D (Pulsed 1 ms, 10% duty cycle)	100 mA
Storage Temperature: (DQ, DY Suffix)	-65 to 125°C
(AK Suffix)	-65 to 150°C

Power Dissipation (Package) ^b	
16-Pin TSSOP ^c	450 mW
16-Pin Narrow Body SOIC ^d	650 mW
16-Pin CerDIP ^e	900 mW

- Notes:
- Signals on S_X, D_X, or IN_X exceeding V+ or V- will be clamped by internal diodes. Limit forward diode current to maximum current ratings.
 - All leads welded or soldered to PC Board.
 - Derate 7 mW/°C above 75°C
 - Derate 7.6 mW/°C above 75°C
 - Derate 12 mW/°C above 75°C

SPECIFICATIONS ^a (SINGLE SUPPLY 12 V)									
Parameter	Symbol	Test Conditions Unless Specified V+ = 12 V, V- = 0 V V _{IN} = 2.4 V, 0.8 V ^f	Temp ^b	Typ ^c	A Suffix Limits -55 to 125°C		D Suffix Limits -40 to 85°C		Unit
					Min ^d	Max ^d	Min ^d	Max ^d	
Analog Switch									
Analog Signal Range ^e	V _{ANALOG}		Full		0	12	0	12	V
Drain-Source On-Resistance	r _{DS(on)}	V+ = 10.8 V, V- = 0 V I _S = 10 mA, V _D = 2/9 V	Room Full	20		30 45		30 40	Ω
On-Resistance Match Between Channels ^e	Δr _{DS(on)}	I _S = 10 mA, V _D = 9 V	Room	0.1		0.5		0.5	
Switch Off Leakage Current	I _{S(off)}	V _D = 1/11 V, V _S = 11/1 V	Room Full		-1 -15	1 15	-1 -10	1 10	nA
	I _{D(off)}		Room Full		-1 -15	1 15	-1 -10	1 10	
Channel On Leakage Current	I _{D(on)}	V _S = V _D = 11/1 V	Room Full		-1 -15	1 15	-1 -10	1 10	
Digital Control									
Input Current, V _{IN} Low	I _{IL}	V _{IN} Under Test = 0.8 V	Full	0.01	-1.5	1.5	-1	1	μA
Input Current, V _{IN} High	I _{IH}	V _{IN} Under Test = 2.4 V	Full		-1.5	1.5	-1	1	
Dynamic Characteristics									
Turn-On Time	t _{ON}	R _L = 300 Ω, C _L = 35 pF V _S = 5 V See Figure 2	Room Full	20		60 80		60 70	ns
Turn-Off Time	t _{OFF}		Room Full	12		35 50		35 45	
Charge Injection ^e	Q	V _g = 0 V, R _g = 0 Ω, C _L = 10 nF	Room	5					pC
Off Isolation ^e	OIRR	R _L = 50 Ω, C _L = 5 pF, f = 1 MHz	Room	71					dB
Channel-to-Channel Crosstalk ^e	X _{TALK}		Room	95					
Source Off Capacitance ^e	C _{S(off)}	f = 1 MHz	Room	5					pF
Drain Off Capacitance ^e	C _{D(off)}		Room	6					
Channel On Capacitance ^e	C _{D(on)}		Room	15					
Power Supplies									
Positive Supply Current	I+	V _{IN} = 0 or 12 V	Full	0.03		1.5		1	μA
Negative Supply Current	I-		Room Full	-0.002	-1 -7.5		-1 -5		
Ground Current	I _{GND}		Full	-0.002	-1.5		-1		



SPECIFICATIONS ^a (DUAL SUPPLY ± 5 V)									
Parameter	Symbol	Test Conditions Unless Specified $V_+ = 5\text{ V}, V_- = -5\text{ V}$ $V_{IN} = 2.4\text{ V}, 0.8\text{ V}^f$	Temp ^b	Typ ^c	A Suffix Limits -55 to 125°C		D Suffix Limits -40 to 85°C		Unit
					Min ^d	Max ^d	Min ^d	Max ^d	
Analog Switch									
Analog Signal Range ^e	V_{ANALOG}		Full		-5	5	-5	5	V
Drain-Source On-Resistance	$r_{DS(on)}$	$V_+ = 5\text{ V}, V_- = -5\text{ V}$ $I_S = 10\text{ mA}, V_D = \pm 3.5\text{ V}$	Room Full	20		33 45		33 40	Ω
On-Resistance Match Between Channels ^e	$\Delta r_{DS(on)}$	$I_S = 10\text{ mA}, V_D = \pm 3.5\text{ V}$	Room	0.1		0.5		0.5	
Switch Off Leakage Current ^g	$I_{S(off)}$	$V_+ = 5.5\text{ V}, V_- = -5.5\text{ V}$ $V_D = \pm 4.5\text{ V}, V_S = \mp 4.5\text{ V}$	Room Full		-1 -15	1 15	-1 -10	1 10	nA
	$I_{D(off)}$		Room Full		-1 -15	1 15	-1 -10	1 10	
Channel On Leakage Current ^g	$I_{D(on)}$	$V_+ = 5.5\text{ V}, V_- = -5.5\text{ V}$ $V_S = V_D = \pm 4.5\text{ V}$	Room Full		-1 -15	1 15	-1 -10	1 10	
Digital Control									
Input Current, V_{IN} Low ^e	I_{IL}	V_{IN} Under Test = 0.8 V	Full	0.05	-1.5	1.5	-1	1	μA
Input Current, V_{IN} High ^e	I_{IH}	V_{IN} Under Test = 2.4 V	Full	0.05	-1.5	1.5	-1	1	
Dynamic Characteristics									
Turn-On Time	t_{ON}	$R_L = 300\ \Omega, C_L = 35\text{ pF}$ $V_S = \pm 3.5\text{ V}$ See Figure 2	Room Full	21		60 83		60 70	ns
Turn-Off Time	t_{OFF}		Room Full	16		35 55		35 45	
Charge Injection ^e	Q	$V_g = 0\text{ V}, R_g = 0\ \Omega, C_L = 10\text{ nF}$	Room	5					pC
Off Isolation ^e	OIRR	$R_L = 50\ \Omega, C_L = 5\text{ pF},$ $f = 1\text{ MHz}$	Room	68					dB
Channel-to-Channel Crosstalk ^e	X_{TALK}		Room	85					
Source Off Capacitance ^e	$C_{S(off)}$	f = 1 MHz	Room	9					pF
Drain Off Capacitance ^e	$C_{D(off)}$		Room	9					
Channel On Capacitance ^e	$C_{D(on)}$		Room	20					
Power Supplies									
Positive Supply Current ^e	I+	$V_{IN} = 0\text{ or }5\text{ V}$	Full	0.002		1.5		1	μA
Negative Supply Current ^e	I-		Room Full	-0.002	-1 -7.5		-1 -5		
Ground Current ^e	I_{GND}		Full	-0.002	-1.5		-1		

SPECIFICATIONS ^a (SINGLE SUPPLY 5 V)									
Parameter	Symbol	Test Conditions Unless Specified $V_+ = 5\text{ V}, V_- = 0\text{ V}$ $V_{IN} = 2.4\text{ V}, 0.8\text{ V}^f$	Temp ^b	Typ ^c	A Suffix Limits -55 to 125°C		D Suffix Limits -40 to 85°C		Unit
					Min ^d	Max ^d	Min ^d	Max ^d	
Analog Switch									
Analog Signal Range ^e	V_{ANALOG}		Full		0	5	0	5	V
Drain-Source On-Resistance ^e	$r_{DS(on)}$	$V_+ = 4.5\text{ V}, I_S = 5\text{ mA}$ $V_D = 1\text{ V}, 3.5\text{ V}$	Room Full	35		50 88		50 75	Ω
On-Resistance Match Between Channels ^e	$\Delta r_{DS(on)}$	$I_S = 5\text{ mA}, V_D = 3.5\text{ V}$	Room	0.5		1.0		1.0	
Dynamic Characteristics									
Turn-On Time ^e	t_{ON}	$R_L = 300\ \Omega, C_L = 35\text{ pF}$ $V_S = 3.5\text{ V}$, See Figure 2	Room Hot	27		50 90		50 60	ns
Turn-Off Time ^e	t_{OFF}		Room Hot	15		30 55		30 40	

SPECIFICATIONS ^a (SINGLE SUPPLY 5 V)									
Parameter	Symbol	Test Conditions Unless Specified $V_+ = 5\text{ V}, V_- = 0\text{ V}$ $V_{IN} = 2.4\text{ V}, 0.8\text{ V}^f$	Temp ^b	Typ ^c	A Suffix Limits -55 to 125°C		D Suffix Limits -40 to 85°C		Unit
					Min ^d	Max ^d	Min ^d	Max ^d	
Dynamic Characteristics									
Charge Injection ^e	Q	$V_g = 0\text{ V}, R_g = 0\ \Omega, C_L = 10\text{ nF}$	Room	0.5					pC
Power Supplies									
Positive Supply Current ^e	I+	$V_{IN} = 0\text{ or }5\text{ V}$	Full	10		200		100	μA
Negative Supply Current ^e	I-		Room	-0.002	-1		-1		
Ground Current ^e	I _{GND}		Full	-10	-200		-100		

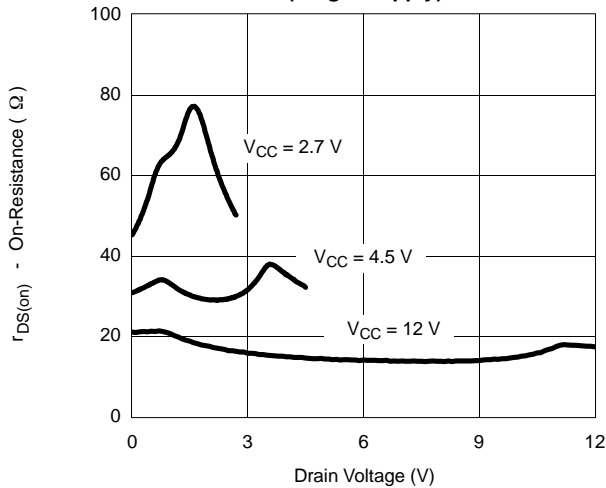
SPECIFICATIONS ^a (SINGLE SUPPLY 3 V)									
Parameter	Symbol	Test Conditions Unless Specified $V_+ = 3\text{ V}, V_- = 0\text{ V}$ $V_{IN} = 0.4\text{ V}^f$	Temp ^b	Typ ^c	A Suffix Limits -55 to 125°C		D Suffix Limits -40 to 85°C		Unit
					Min ^d	Max ^d	Min ^d	Max ^d	
Analog Switch									
Analog Signal Range ^e	V _{ANALOG}		Full		0	3	0	3	V
Drain-Source On-Resistance	r _{DS(on)}	$V_+ = 2.7\text{ V}, V_- = 0\text{ V}$ $I_S = 5\text{ mA}, V_D = 0.5, 2.2\text{ V}$	Room	65		80		80	Ω
On-Resistance Match Between Channels ^e	$\Delta r_{DS(on)}$	$I_S = 5\text{ mA}, V_D = 2.2\text{ V}$	Room	1.0		3.0		3.0	
Switch Off Leakage Current ^g	I _{S(off)}	$V_+ = 3.3\text{ V}, V_- = 0\text{ V}$ $V_D = 1, 2\text{ V}, V_S = 2, 1\text{ V}$	Room		-1	1	-1	1	nA
	I _{D(off)}		Full		-15	15	-10	10	
Channel On Leakage Current ^g	I _{D(on)}	$V_+ = 3.3\text{ V}, V_- = 0\text{ V}$ $V_S = V_D = 1, 2\text{ V}$	Room		-1	1	-1	1	10
Digital Control									
Input Current, V _{IN} Low ^e	I _{IL}	V _{IN} Under Test = 0.4 V	Full	0.005	-1.5	1.5	-1	1	μA
Input Current, V _{IN} High ^e	I _{IH}	V _{IN} Under Test = 2.4 V	Full	0.005	-1.5	1.5	-1	1	
Dynamic Characteristics									
Turn-On Time	t _{ON}	$R_L = 300\ \Omega, C_L = 35\text{ pF}$ $V_S = 1.5\text{ V}$ See Figure 2	Room	50		136		136	ns
Turn-Off Time	t _{OFF}		Full				175		
Charge Injection ^e	Q	$V_g = 0\text{ V}, R_g = 0\ \Omega, C_L = 10\text{ nF}$	Room	1					pC
Off Isolation ^e	OIRR	$R_L = 50\ \Omega, C_L = 5\text{ pF},$ $f = 1\text{ MHz}$	Room	68					dB
Channel-to-Channel Crosstalk ^e	X _{TALK}		Room	85					
Source Off Capacitance ^e	C _{S(off)}	f = 1 MHz	Room	6					pF
Drain Off Capacitance ^e	C _{D(off)}		Room	6					
Channel On Capacitance ^e	C _{D(on)}		Room	20					

Notes:

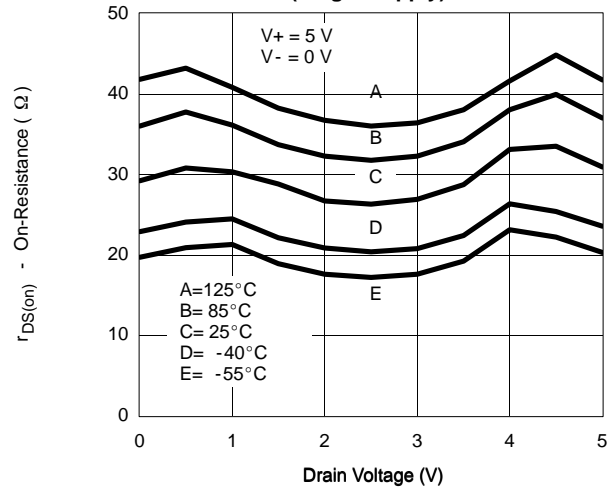
- Refer to PROCESS OPTION FLOWCHART.
- Room = 25°C, Full = as determined by the operating temperature suffix.
- Typical values are for DESIGN AID ONLY, not guaranteed nor subject to production testing.
- The algebraic convention whereby the most negative value is a minimum and the most positive a maximum, is used in this data sheet.
- Guaranteed by design, not subject to production test.
- V_{IN} = input voltage to perform proper function.
- Leakage parameters are guaranteed by worst case test conditions and not subject to test.

TYPICAL CHARACTERISTICS (25°C UNLESS NOTED)

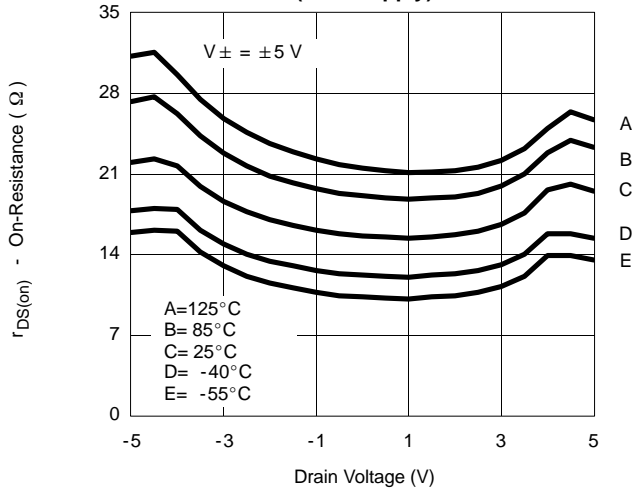
$r_{DS(on)}$ vs. Drain Voltage (Single Supply)



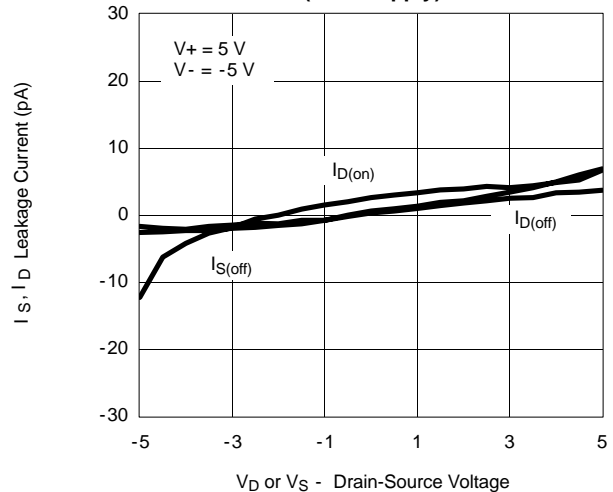
$r_{DS(on)}$ vs. Drain Voltage and Temperature (Single Supply)



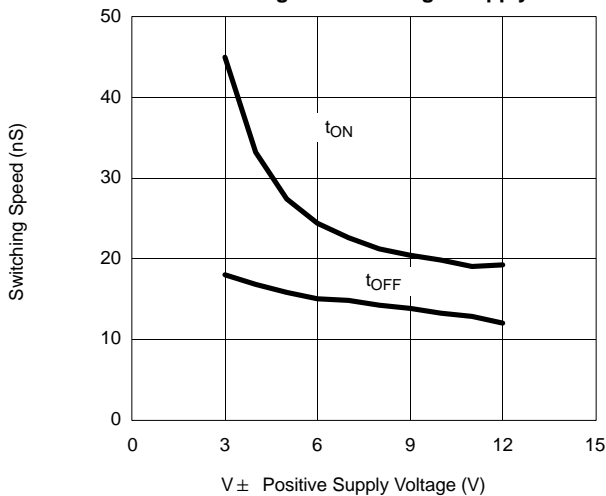
$r_{DS(on)}$ vs. Drain Voltage and Temperature (Dual Supply)



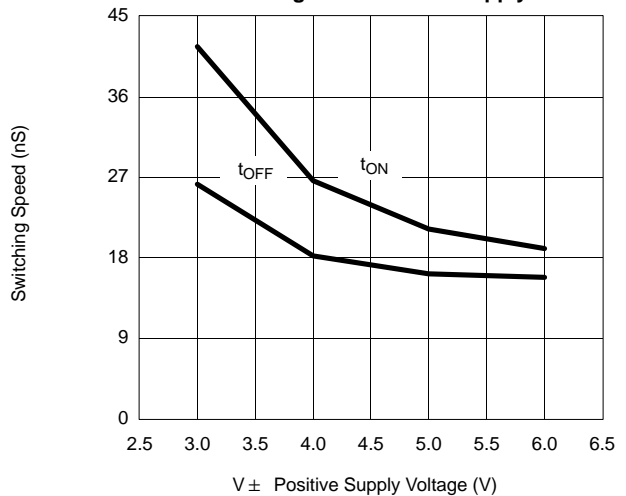
Leakage Current vs. Analog Voltage (Dual Supply)



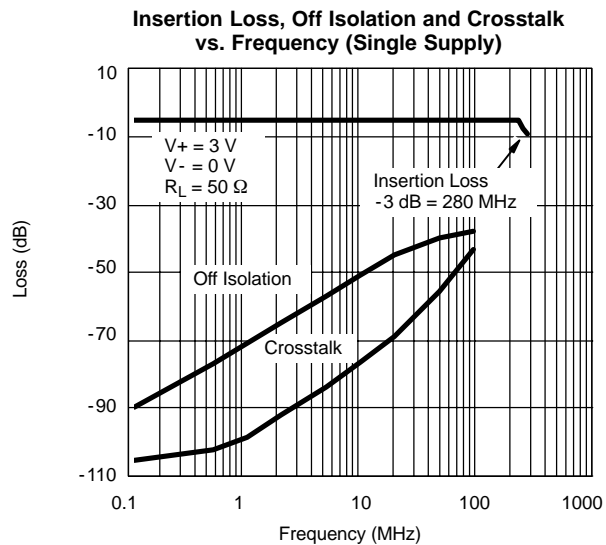
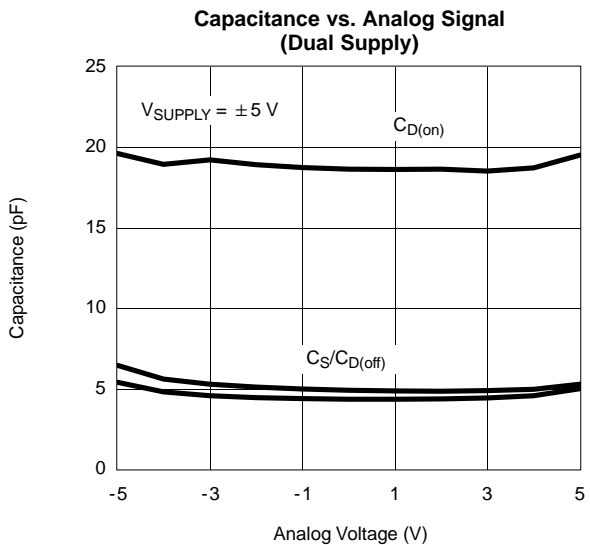
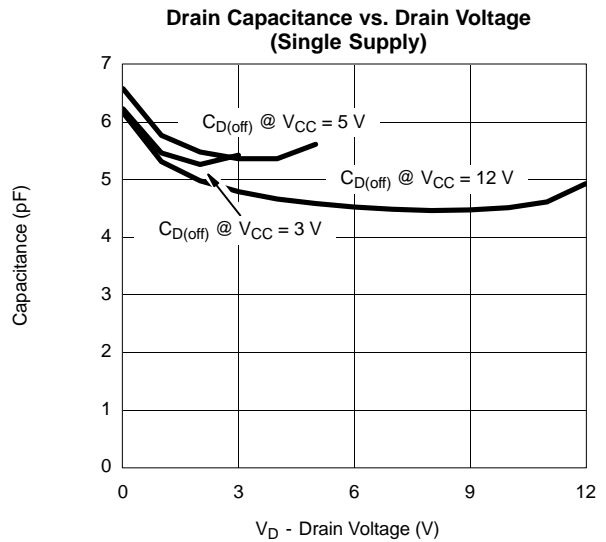
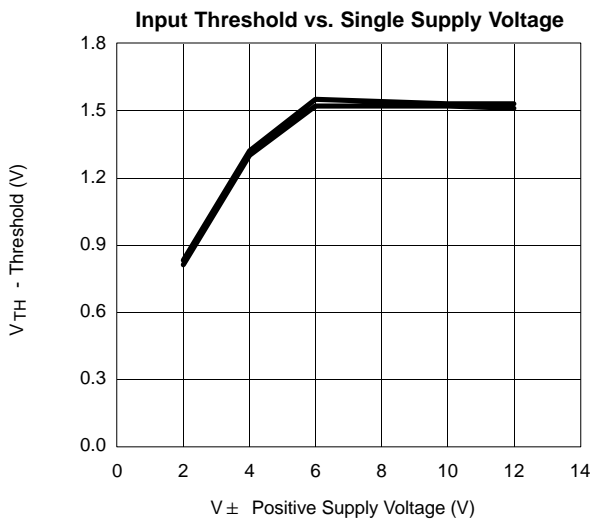
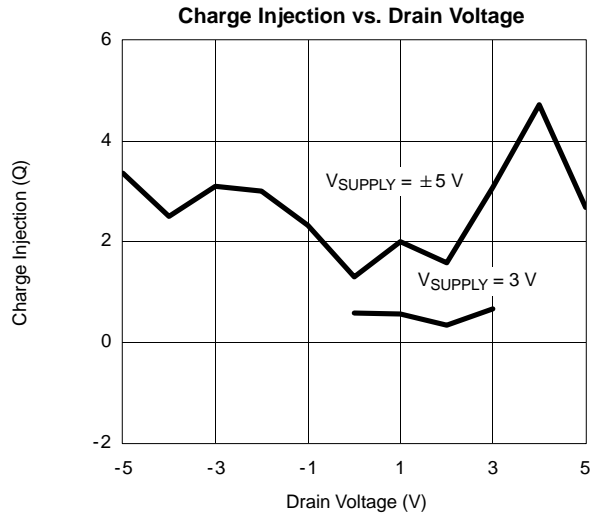
Switching Time vs. Single Supply



Switching Time vs. Dual Supply



TYPICAL CHARACTERISTICS (25°C UNLESS NOTED)



SCHEMATIC DIAGRAM (TYPICAL CHANNEL)

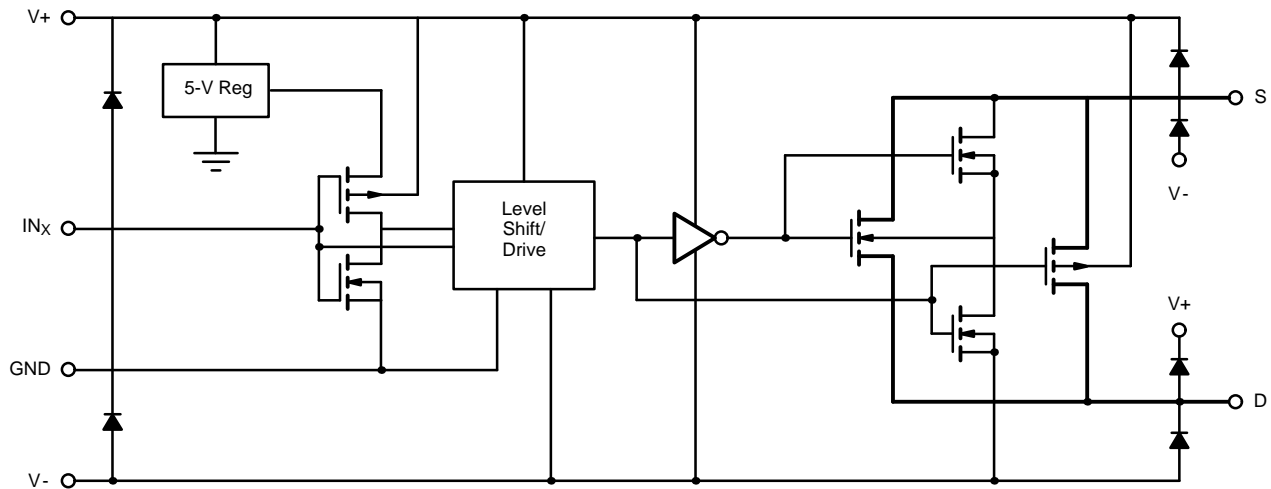
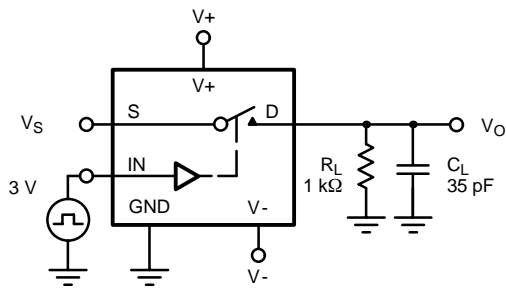
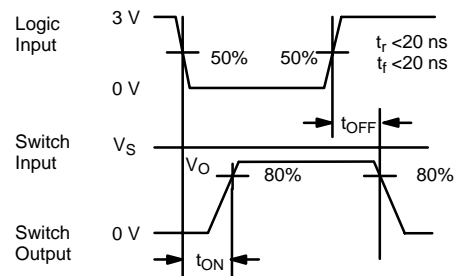


FIGURE 1.

TEST CIRCUITS



C_L (includes fixture and stray capacitance)



Note: Logic input waveform is inverted for DG442.

FIGURE 2. Switching Time

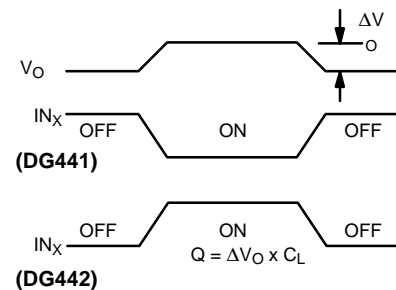
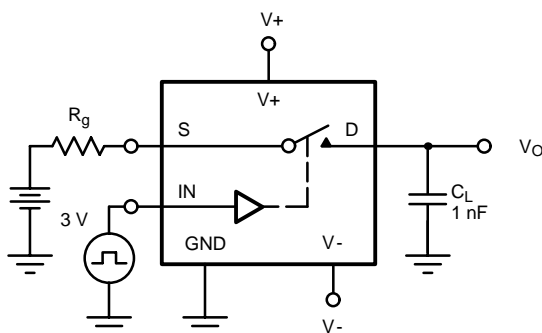


FIGURE 3. Charge Injection

TEST CIRCUITS

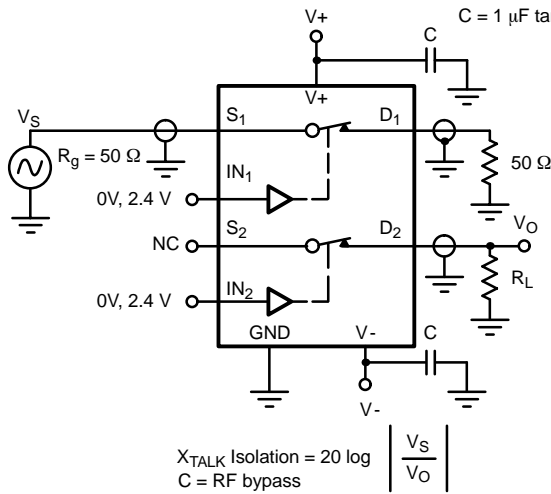


FIGURE 4. Crosstalk

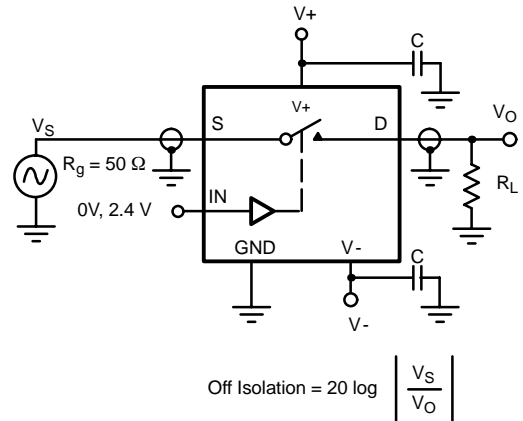


FIGURE 5. Off Isolation

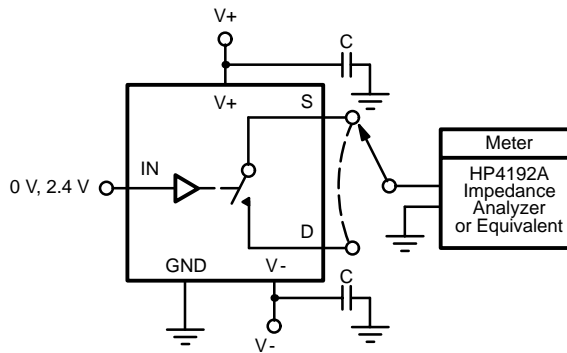


FIGURE 6. Source/Drain Capacitances

APPLICATIONS

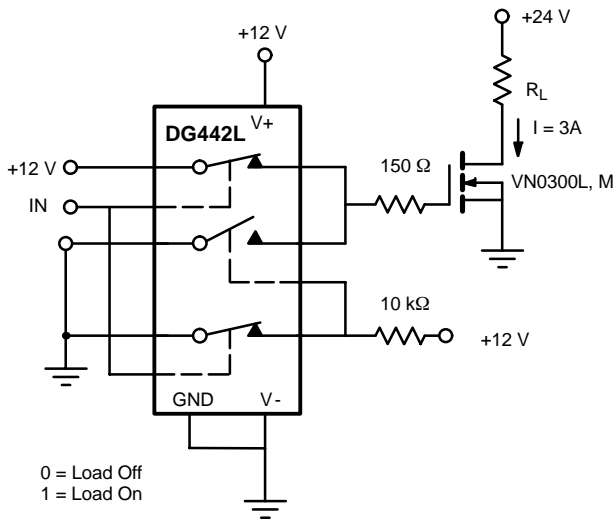


FIGURE 7. Power MOSFET Driver

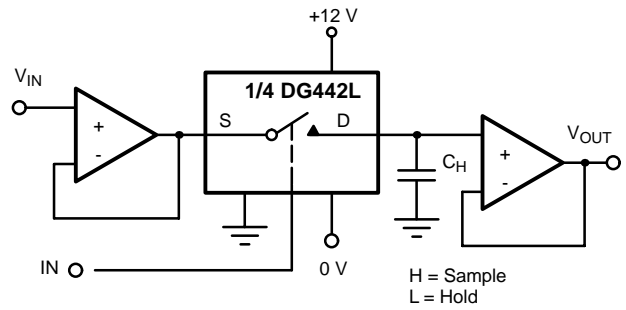


FIGURE 8. Open Loop Sample-and-Hold

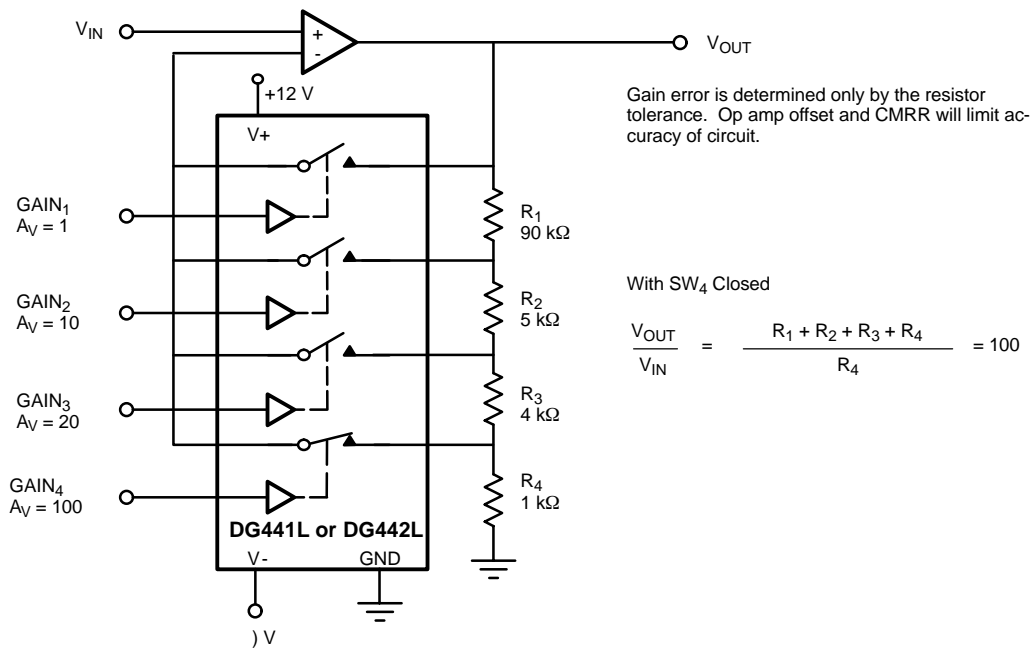


FIGURE 9. Precision-Weighted Resistor Programmable-Gain Amplifier



Disclaimer

All product specifications and data are subject to change without notice.

Vishay Intertechnology, Inc., its affiliates, agents, and employees, and all persons acting on its or their behalf (collectively, "Vishay"), disclaim any and all liability for any errors, inaccuracies or incompleteness contained herein or in any other disclosure relating to any product.

Vishay disclaims any and all liability arising out of the use or application of any product described herein or of any information provided herein to the maximum extent permitted by law. The product specifications do not expand or otherwise modify Vishay's terms and conditions of purchase, including but not limited to the warranty expressed therein, which apply to these products.

No license, express or implied, by estoppel or otherwise, to any intellectual property rights is granted by this document or by any conduct of Vishay.

The products shown herein are not designed for use in medical, life-saving, or life-sustaining applications unless otherwise expressly indicated. Customers using or selling Vishay products not expressly indicated for use in such applications do so entirely at their own risk and agree to fully indemnify Vishay for any damages arising or resulting from such use or sale. Please contact authorized Vishay personnel to obtain written terms and conditions regarding products designed for such applications.

Product names and markings noted herein may be trademarks of their respective owners.