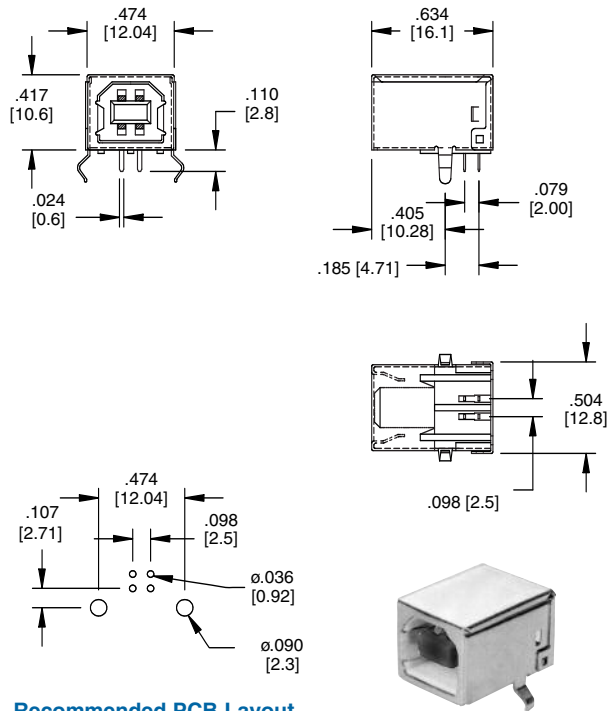
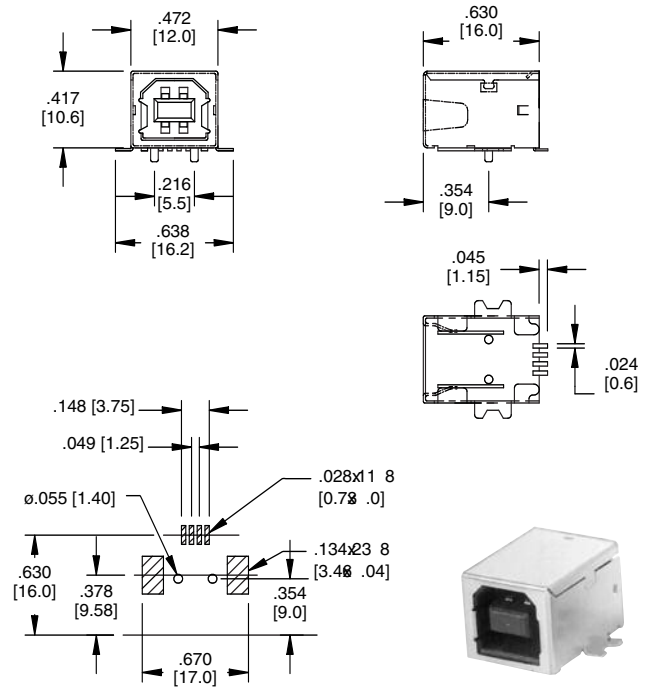


USB-B-S-RA



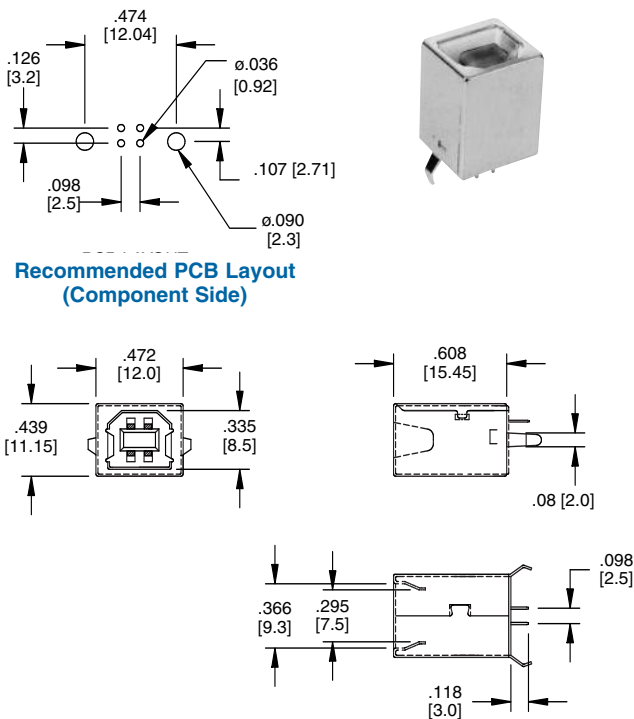
Recommended PCB Layout

USB-B-S-RA-TSMT



Recommended PCB Layout

USB-B-S-VT



Recommended PCB Layout
(Component Side)

USB-BP-S

