

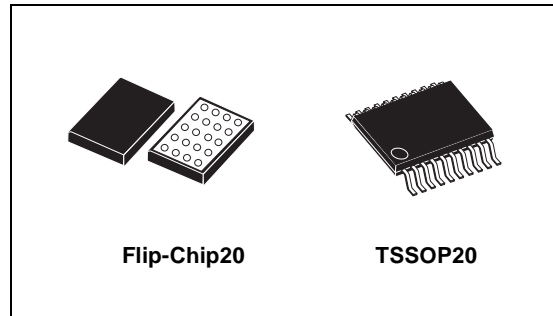


## ST2378E

8-bit dual supply 1.71V to 5.5V level translator  
with I/O  $V_{CC} \pm 15KV$  ESD protection

### General features

- High speed:
  - $t_{PD} = 15ns$  (Max.) at  $T_A = 85^\circ C$
  - $V_L = 1.8V$
  - $V_{CC} = 5.5V$
- Guaranteed data rate:
  - 13Mbps ( $1.8V \leq V_L \leq V_{CC} \leq 5.5V$ )
- Low power dissipation:
  - $I_{TS-VL} = I_{TS-VCC} = 1\mu A$  (Max.) at  $T_A = 85^\circ C$
  - $I_{QVL} = 100\mu A$  (Max.) at  $T_A = 85^\circ C$
  - $I_{QCC} = 10\mu A$  (Max.) at  $T_A = 85^\circ C$
- Output impedance:
  - $|I_{OHA}| = 20\mu A$  (Min.) at  $V_L = 1.8V$ ;  $V_{CC} = 5.5V$
  - $I_{OLA} = 1.0\mu A$  (Min.) at  $V_L = 1.8V$   $V_{CC} = 5.5V$
- Bi-directional level translation
- Totem pole and open drain driving for I<sup>2</sup>C communications
- 5V tolerant on enable pin
- Wide operating voltage range:
  - $V_L(Opr) = 1.71V$  to  $V_{CC}$
  - $V_{CC}(Opr) = 1.71V$  to  $5.5V$
- ESD performance
- HBM > 15KV ESD protection on I/O/ $V_{CC}$  lines
- Leadfree Flip-Chip and TSSOP packages



### Description

The ST2378E is an 8-bit, dual supply, bi-directional level translator with  $\pm 15kV$  ESD-protection on I/Os at  $V_{CC}$  side. It is designed to interface data transfer between low-voltage ASICs/PLDs and higher voltage systems. Externally applied voltage,  $V_{CC}$  and  $V_L$ , set logic levels at both sides with range specified as  $1.71V \leq V_L \leq 5.5V$  and  $V_L \leq V_{CC} \leq 5.5V$ . For proper operation,  $V_{CC}$  should be set higher than  $V_L$ .

Utilizing a transmission-gate-based design, this device allows bi-directional asynchronous data transfer, which means each channel is allowed to have either  $V_{CC}$  to  $V_L$  or  $V_L$  to  $V_{CC}$  data transfer direction independently and no direction pin is required. ST2378E operates at guaranteed data rate of 13Mbps over the entire specified operating voltage range.

Among the other features is included the OE pin which allows disable-mode operation whereby current consumption is reduced to less than  $1\mu A$ .

### Order codes

Part number	Temperature range	Package	Comments
ST2378EBJR	-40 to 85 °C	Flip-Chip20 (Tape and Reel)	3000 parts per reel
ST2378ETTR	-40 to 85 °C	TSSOP20 (Tape and Reel)	2500 parts per reel

---

# Contents

<b>1</b>	<b>Block diagram</b> .....	<b>3</b>
<b>2</b>	<b>Pin settings</b> .....	<b>4</b>
	2.1 Pin connection .....	4
	2.2 Pin description .....	4
<b>3</b>	<b>Electrical data</b> .....	<b>5</b>
	3.1 Maximum ratings .....	5
	3.2 Recommended operating conditions .....	5
<b>4</b>	<b>Electrical characteristics</b> .....	<b>7</b>
<b>5</b>	<b>Test circuit</b> .....	<b>13</b>
<b>6</b>	<b>Waveforms</b> .....	<b>14</b>
<b>7</b>	<b>Mechanical data</b> .....	<b>16</b>
<b>8</b>	<b>Revision history</b> .....	<b>21</b>

# 1 Block diagram

Figure 1. Block diagram

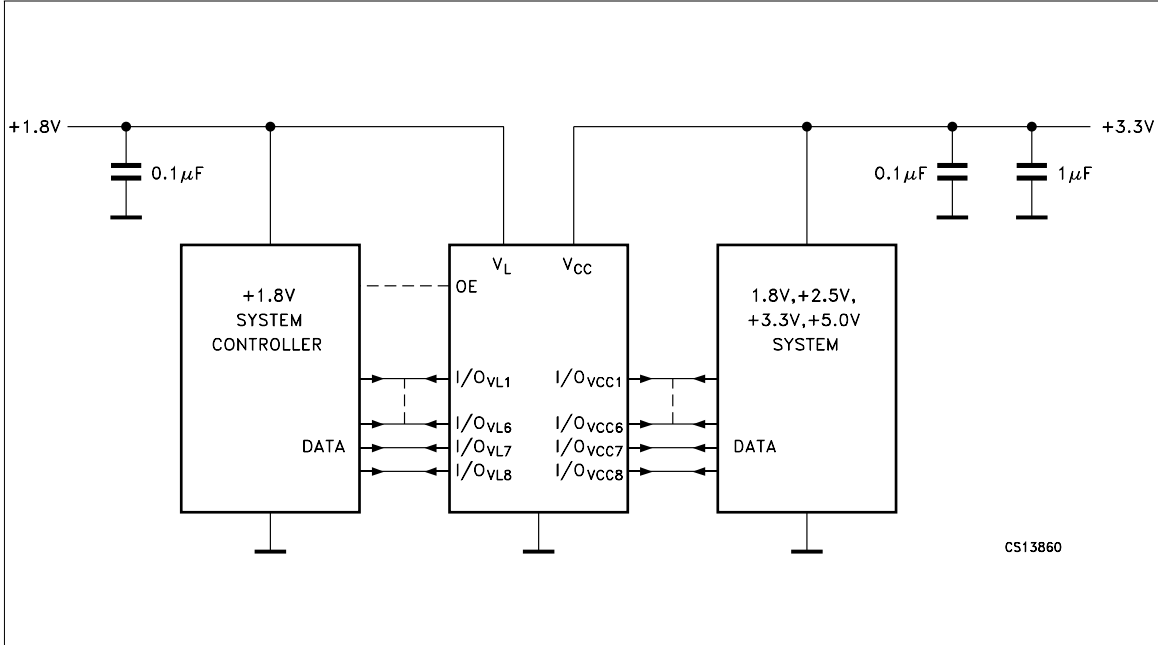
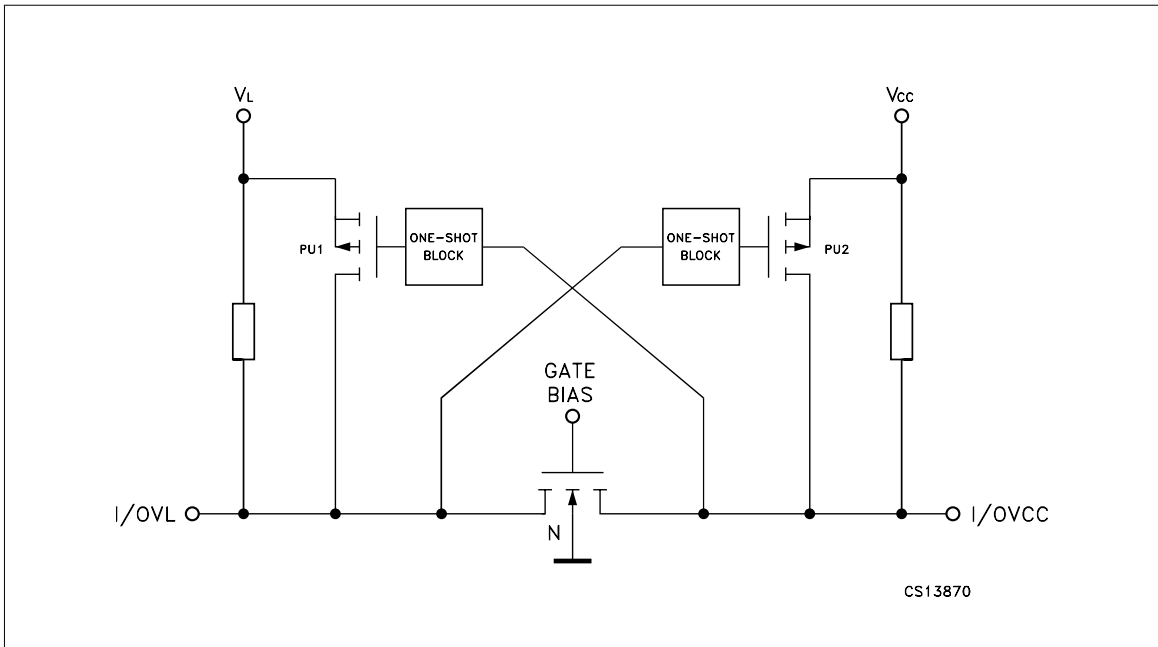


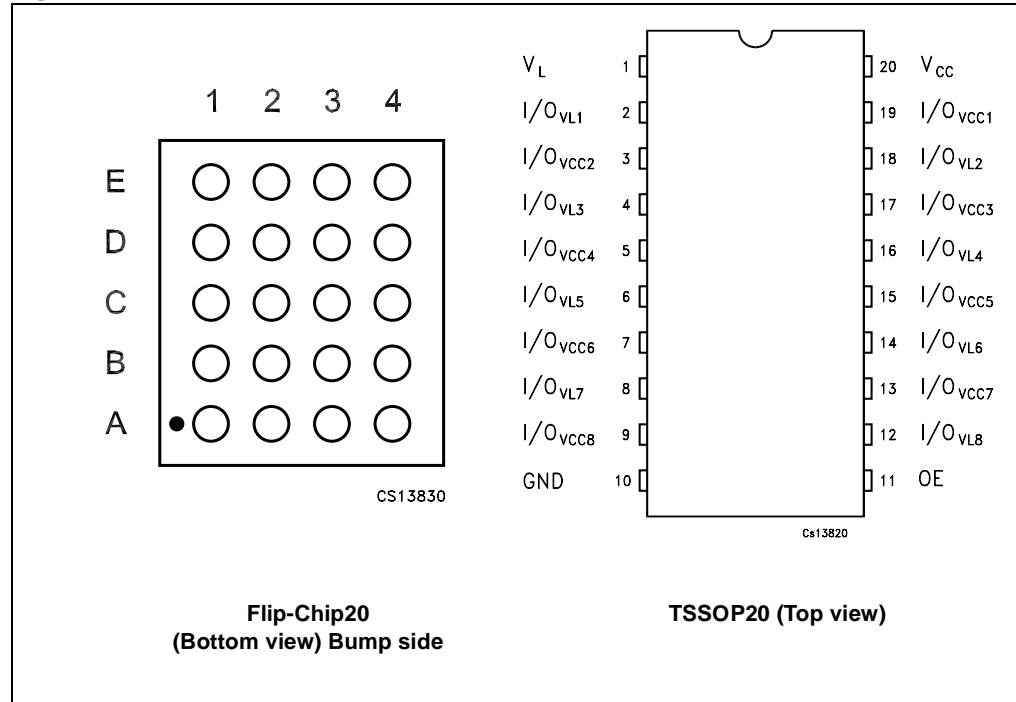
Figure 2. Functional diagram (1 I/O line)



## 2 Pin settings

### 2.1 Pin connection

Figure 3. Pin connection



### 2.2 Pin description

Table 1. Pin description

Flip-Chip20 Pin N°	TSSOP20 Pin N°	Symbol	Name and function
E2, D1, D2, C1, C2, B1, B2, A1	2, 18, 4, 16, 6, 14, 8, 12	$I/O_{VL1}$ to $I/O_{VL8}$	Data Inputs/Outputs
E3, D4, D3, C4, C3, B4, B3, A4	19, 3, 17, 5, 15, 7, 13, 9	$I/O_{VCC1}$ to $I/O_{VCC8}$	Data Inputs/Outputs
A2	11	OE	Output Enable Inputs
A3	10	GND	Ground (0V)
E1	1	$V_L$	Positive Supply Voltage
E4	20	$V_{CC}$	Positive Supply Voltage

### 3 Electrical data

#### 3.1 Maximum ratings

**Table 2. Absolute maximum rating**

Symbol	Parameter	Value	Unit
$V_L$	Supply Voltage	-0.3 to $V_{CC}$	V
$V_{CC}$	Supply Voltage	-0.3 to +7.0	V
$V_{OE}$	DC Control Input Voltage	-0.3 to +7.0	V
$V_{I/OVL}$	DC $I/O_{VL}$ Input Voltage (OE = Gnd or $V_L$ )	-0.3 to $V_L + 0.3$	V
$V_{I/OVCC}$	DC $I/O_{VCC}$ Input Voltage (OE = Gnd or $V_L$ )	-0.3 to $V_{CC} + 0.3$	V
$I_{IK}$	DC Input Diode Current (OE Control Pin)	- 20	mA
$I_{IOVL}$	DC Output Current	$\pm 25$	mA
$I_{IOVCC}$	DC Output Current	$\pm 25$	mA
$I_{SCTOUT}$	Short Circuit Duration $I/O_{VL}$ , $I/O_{VCC}$ Driven from 40mA Source	Continuous	mA
$I_{CCB}$	DC $V_{CC}$ or Ground Current	$\pm 100$	mA
$P_d$	Power Dissipation <sup>(1)</sup>	500	mW
$T_{stg}$	Storage Temperature	-65 to +150	°C
$T_L$	Lead Temperature (10 sec)	300	°C

1. 500mW:  $\cong$  65°C derated to 300mW by 10mW/°C: 65°C to 85°C

## 3.2 Recommended operating conditions

**Table 3. Recommended operating conditions**

Symbol	Parameter	Value	Unit	
$V_L$	Supply Voltage	1.71 to $V_{CC}$	V	
$V_{CC}$	Supply Voltage	1.71 to 5.5	V	
$V_I$	Input Voltage (OE Output Enable Pin, $V_L$ Power Supply referred)	0 to 5.5	V	
$V_{I/OVL}$	I/O <sub>VL</sub> Voltage	0 to $V_L$	V	
$V_{I/OVCC}$	I/O <sub>VCC</sub> Voltage	0 to $V_{CC}$	V	
$T_{op}$	Operating Temperature	-40 to 85	°C	
dt/dv	Input Rise and Fall Time (OE Control Pin) <sup>(1)</sup>	0 to 10	ns/V	
dt/dv	Input Rise and Fall Time <sup>(2)</sup>	$1.71 < V_L < V_{CC} < 5V$	0 to 10	ns/V
		$V_{CC} = V_L = 5V$	0 to 3	ns/V

1.  $V_{OE}$  from 10%  $V_L$  to 90% $V_L$

2.  $V_{I/OVL}$  from 10% $V_L$  to 90% $V_L$ ;  $V_{I/OVCC}$  from 10% $V_{CC}$  to 90% $V_{CC}$

## 4 Electrical characteristics

Table 4. DC Specification

Symbol	Parameter	Test Condition			Value					Unit
		V <sub>L</sub> (*) (V)	V <sub>CC</sub> (*) (V)		T <sub>A</sub> = 25 °C			-40 to 85 °C		
					Min.	Typ	Max.	Min.	Max.	
V <sub>IHL</sub>	High Level Input Voltage (I/O <sub>VL</sub> )	1.8	V <sub>L</sub> to 5.5		V <sub>L</sub> -0.2			V <sub>L</sub> -0.2		V
		2.5	V <sub>L</sub> to 5.5		0.75V <sub>L</sub>			0.75V <sub>L</sub>		
		3.3	V <sub>L</sub> to 5.5		0.75V <sub>L</sub>			0.75V <sub>L</sub>		
		5.0	V <sub>L</sub> to 5.5		0.75V <sub>L</sub>			0.75V <sub>L</sub>		
V <sub>ILL</sub>	Low Level Input Voltage (I/O <sub>VL</sub> )	1.8	V <sub>L</sub> to 5.5				0.15		0.15	V
		2.5	V <sub>L</sub> to 5.5				0.30		0.30	
		3.3	V <sub>L</sub> to 5.5				0.30		0.30	
		5.0	V <sub>L</sub> to 5.5				0.30		0.30	
V <sub>IHC</sub>	High Level Input Voltage (I/O <sub>VCC</sub> )	1.8	V <sub>L</sub> to 5.5		V <sub>L</sub> -0.2			V <sub>L</sub> -0.2		V
		2.5	V <sub>L</sub> to 5.5		0.75V <sub>CC</sub>			0.75V <sub>CC</sub>		
		3.3	V <sub>L</sub> to 5.5		0.75V <sub>CC</sub>			0.75V <sub>CC</sub>		
		5.0	V <sub>L</sub> to 5.5		0.75V <sub>CC</sub>			0.75V <sub>CC</sub>		
V <sub>ILC</sub>	Low Level Input Voltage (I/O <sub>VCC</sub> )	1.8	V <sub>L</sub> to 5.5				0.15		0.15	V
		2.5	V <sub>L</sub> to 5.5				0.30		0.30	
		3.3	V <sub>L</sub> to 5.5				0.30		0.30	
		5.0	V <sub>L</sub> to 5.5				0.30		0.30	

Table 4. DC Specification

Symbol	Parameter	Test Condition			Value					Unit
		V <sub>L</sub> (*) (V)	V <sub>CC</sub> (*) (V)		T <sub>A</sub> = 25 °C			-40 to 85 °C		
					Min.	Typ	Max.	Min.	Max.	
V <sub>IH-TS</sub>	High Level Input Voltage (OE)	1.8	V <sub>L</sub> to 5.5		V <sub>L</sub> -0.2			V <sub>L</sub> -0.2		V
		2.5	V <sub>L</sub> to 5.5		0.75V <sub>L</sub>			0.75V <sub>L</sub>		
		3.3	V <sub>L</sub> to 5.5		0.75V <sub>L</sub>			0.75V <sub>L</sub>		
		5.0	V <sub>L</sub> to 5.5		0.75V <sub>L</sub>			0.75V <sub>L</sub>		
V <sub>IL-TS</sub>	Low Level Input Voltage (OE)	1.8	V <sub>L</sub> to 5.5				0.15		0.15	V
		2.5	V <sub>L</sub> to 5.5				0.25V <sub>L</sub>		0.25V <sub>L</sub>	
		3.3	V <sub>L</sub> to 5.5				0.25V <sub>L</sub>		0.25V <sub>L</sub>	
		5.0	V <sub>L</sub> to 5.5				0.25V <sub>L</sub>		0.25V <sub>L</sub>	
V <sub>OHL</sub>	High Level Output Voltage I/O <sub>VL</sub>	1.8 to 5.5	V <sub>L</sub> to 5.5	I <sub>O</sub> =-20 μA I/O <sub>VCC</sub> ≥V <sub>CC</sub> -0.2	0.67V <sub>L</sub>			0.67V <sub>L</sub>		V
V <sub>OLL</sub>	Low Level Output Voltage I/O <sub>VL</sub>			I <sub>O</sub> =1.0 mA I/O <sub>VCC</sub> ≤0.15V			0.40		0.40	
V <sub>OHC</sub>	High Level Output Voltage I/O <sub>VCC</sub>	1.8 to 5.5	V <sub>L</sub> to 5.5	I <sub>O</sub> =-20 μA I/O <sub>VL</sub> ≥V <sub>L</sub> -0.2	0.67V <sub>CC</sub>			0.67V <sub>CC</sub>		V
V <sub>OLC</sub>	Low Level Output Voltage I/O <sub>VCC</sub>			I <sub>O</sub> =1.0 mA I/O <sub>VL</sub> ≤0.15V			0.40		0.40	
I <sub>TSL</sub>	Control Input Leakage Current (OE)	1.8 to 5.5	V <sub>L</sub> to 5.5	V <sub>I</sub> =GND or 5.5			1		1	μA
I <sub>TS-LKG</sub>	High Impedance Input Leakage Current (I/O <sub>VL</sub> , I/O <sub>VCC</sub> )	1.8 to 5.5	V <sub>L</sub> to 5.5	OE = GND			1		1	μA
I <sub>QVCC</sub>	Quiescent Supply Current V <sub>CC</sub>	1.8 to 5.5	V <sub>L</sub> to 5.5	I/O <sub>VL</sub> , I/O <sub>VCC</sub> unconnected		0.1	1		10	μA



Table 4. DC Specification

Symbol	Parameter	Test Condition			Value					Unit
		V <sub>L</sub> (*) (V)	V <sub>CC</sub> (*) (V)		T <sub>A</sub> = 25 °C			-40 to 85 °C		
					Min.	Typ	Max.	Min.	Max.	
I <sub>QVL</sub>	Quiescent Supply Current V <sub>L</sub>	1.8 to 5.5	V <sub>L</sub> to 5.5	I/O <sub>VL</sub> , I/O <sub>VCC</sub> unconnected		13	20		100	μA
I <sub>TS-VCC</sub>	High Impedance Mode Quiescent Supply Current V <sub>CC</sub>	1.8 to 5.5	V <sub>L</sub> to 5.5	OE= GND			1		1	μA
I <sub>TS-VL</sub>	High Impedance Mode Quiescent Supply Current V <sub>L</sub>	1.8 to 5.5	V <sub>L</sub> to 5.5	OE= GND I/O <sub>VL</sub> =GND to V <sub>L</sub> I/O <sub>VCC</sub> = GND to V <sub>CC</sub>			1		1	μA

- Note:
- 1 Typical values are referred to T<sub>A</sub> = 25°C
  - 2 Power Supply Range: V<sub>L</sub>, V<sub>CC</sub> 1.8V ± 5%, 2.5 ± 0.2V, 3.3 ± 0.3V, 5.0 ± 0.5V
  - 3 For normal operation, ensure V<sub>L</sub> < (V<sub>CC</sub> + 0.3V). During power-up, V<sub>L</sub> > (V<sub>CC</sub> + 0.3V) will not damage the device

Table 5. AC Electrical characteristics (totem pole driving)

Symbol	Parameter		Test Condition <sup>(1)</sup>		Value			Unit		
			C <sub>L</sub> =15pF t <sub>r</sub> =t <sub>f</sub> ≤ 6ns Driver output R <sub>T</sub> ≤ 50Ω <sup>(2)</sup>		-40 to +85 °C					
			V <sub>L</sub> (V) <sup>(3)</sup>	V <sub>CC</sub> (V) <sup>(3)</sup>	Min.	Typ. <sup>(4)</sup>	Max.			
t <sub>RVCC</sub>	Rise Time I/O <sub>VCC</sub> <sup>(3)(8)</sup>		1.8	1.8		11	15	ns		
			1.8	2.5		11	15			
			1.8	3.3		10	15			
			1.8	5.0		9	15			
			2.5	3.3		8	15			
t <sub>FCC</sub>	Fall Time I/O <sub>VCC</sub> <sup>(3)(8)</sup>		1.8	1.8		6	15	ns		
			1.8	2.5		7	15			
			1.8	3.3		8	15			
			1.8	5.0		10	15			
			2.5	3.3		6	15			
t <sub>RVL</sub>	Rise Time I/O <sub>VL</sub> <sup>(3)(8)</sup>		1.8	1.8		12	15	ns		
			1.8	2.5		10	15			
			1.8	3.3		9	15			
			1.8	5.0		10	15			
			2.5	3.3		7	15			
t <sub>FVL</sub>	Fall Time I/O <sub>VL</sub> <sup>(3)(8)</sup>		1.8	1.8		7	15	ns		
			1.8	2.5		6	15			
			1.8	3.3		6	15			
			1.8	5.0		7	15			
			2.5	3.3		4	15			
t <sub>I<sub>OVL-VCC</sub></sub>	Propagation Delay Time(4) I/O <sub>VL-LH</sub> to I/O <sub>VCC-LH</sub> I/O <sub>VL-HL</sub> to I/O <sub>VCC-HL</sub>		t <sub>PLH</sub>		1.8	1.8		6	15	ns
					1.8	2.5		7	15	
					1.8	3.3		7	15	
					1.8	5.0		7	15	
					2.5	3.3		4	15	
			t <sub>PHL</sub>		1.8	1.8		5	15	
					1.8	2.5		5	15	
					1.8	3.3		6	15	
					1.8	5.0		8	15	
					2.5	3.3		4	15	

Table 5. AC Electrical characteristics (totem pole driving)

Symbol	Parameter		Test Condition		Value			Unit
			C <sub>L</sub> =15pF t <sub>r</sub> =t <sub>f</sub> ≤ 6ns Driver output R <sub>T</sub> ≤ 50Ω		-40 to +85 °C			
			V <sub>L</sub> (V)	V <sub>CC</sub> (V)	Min.	Typ.	Max.	
t <sub>IOVCC-VL</sub>	Propagation Delay Time(4) I/O <sub>VCC-LH</sub> to I/O <sub>VL-LH</sub> I/O <sub>VCC-HL</sub> to I/O <sub>VL-HL</sub>	t <sub>PLH</sub>	1.8	1.8		2	15	ns
			1.8	2.5		2	15	
			1.8	3.3		2	15	
			1.8	5.0		2	15	
			2.5	3.3		2	15	
		t <sub>PHL</sub>	1.8	1.8		5	15	
			1.8	2.5		5	15	
			1.8	3.3		5	15	
			1.8	5.0		6	15	
			2.5	3.3		4	15	
t <sub>PZL</sub> t <sub>PZH</sub> t <sub>PLZ</sub> t <sub>PZL</sub>	Output Enable and Disable Time	1.8	1.8		60	80	ns	
1.8	5.0		150	200				
t <sub>OSLH</sub> t <sub>OSSL</sub>	Channel to channel Skew Time (6)(7)	1.8	1.8		0.1	1	ns	
1.8	5.0		0.5	1				
DR	Maximum Data Rate	1.8 to 5.0	V <sub>L</sub> to 5.0	13			Mbps	

1. For normal operation, ensure  $V_L < (V_{CC} + 0.3V)$ . During power-up,  $V_L > (V_{CC} + 0.3V)$  will not damage the device
2. For  $V_{CC} = V_L = 1.8V$ ,  $t_r = t_f \leq 4ns$
3. Power Supply Range:  $V_L, V_{CC} 1.8V \pm 5\%, 2.5 \pm 0.2V, 3.3 \pm 0.3V, 5.0 \pm 0.5V$ .
4. Typical values are referred to  $T_A=25^\circ C$  Typical values are referred to  $T_A=25^\circ C$
5. Rise Time: 10% to 90%, Fall Time 90% to 10%
6. tpd: 50% to 50%
7. Skew is defined as the absolute value of the difference between the actual propagation delay for any two outputs of the same device switching in the same direction, either HIGH or LOW ( $t_{OSLH} = |t_{PLHm} - t_{PLHn}|$ ,  $t_{OSSL} = |t_{PHLm} - t_{PHLn}|$ )
8. Each translator equally loaded; parameter guaranteed by design

Table 6. AC characteristic (open drain driving)

Symbol	Parameter	Test Condition <sup>(1)</sup>		Value			Unit	
		C <sub>L</sub> =15pF t <sub>r</sub> =t <sub>f</sub> ≤ 6ns Driver output R <sub>T</sub> ≤ 50Ω <sup>(2)</sup>		-40 to +85 °C				
		V <sub>L</sub> (V) <sup>(3)</sup>	V <sub>CC</sub> (V) <sup>(3)</sup>	Min.	Typ. <sup>(4)</sup>	Max.		
t <sub>RVCC</sub>	Rise Time I/O <sub>VCC</sub> <sup>(3)(8)</sup>	1.8	1.8		210	300	ns	
		1.8	5.0		59	150		
t <sub>FCC</sub>	Fall Time I/O <sub>VCC</sub> <sup>(3)(8)</sup>	1.8	1.8		12	30	ns	
		1.8	5.0		20	30		
t <sub>RVL</sub>	Rise Time I/O <sub>VL</sub> <sup>(3)(8)</sup>	1.8	1.8		210	300	ns	
		1.8	5.0		96	150		
t <sub>FVL</sub>	Fall Time I/O <sub>VL</sub> <sup>(3)(8)</sup>	1.8	1.8		11	30	ns	
		1.8	5.0		11	30		
t <sub>IOVL-VCC</sub>	Propagation Delay Time(4) I/O <sub>VL</sub> -LH to I/O <sub>VCC</sub> -LH I/O <sub>VL</sub> -HL to I/O <sub>VCC</sub> -HL	t <sub>PLH</sub>	1.8	1.8		210	300	ns
			1.8	5.0		100	150	
		t <sub>PHL</sub>	1.8	1.8		7	20	
			1.8	5.0		14	20	
t <sub>IOVCC-VL</sub>	Propagation Delay Time(4) I/O <sub>VCC</sub> -LH to I/O <sub>VL</sub> -LH I/O <sub>VCC</sub> -HL to I/O <sub>VL</sub> -HL	t <sub>PLH</sub>	1.8	1.8		210	300	ns
			1.8	5.0		57	150	
		t <sub>PHL</sub>	1.8	1.8		7	20	
			1.8	5.0		8	20	
t <sub>PZL</sub> t <sub>PZH</sub> t <sub>PLZ</sub> t <sub>PZL</sub>	Output Enable and Disable Time	1.8	1.8		60	80	ns	
		1.8	5.0		150	200		
t <sub>OSLH</sub> t <sub>OSHL</sub>	Channel to channel Skew Time <sup>(6)(7)</sup>	1.8	1.8		10	20	ns	
		1.8	5.0		2	10		
DR	Maximum Data Rate	1.8 to 5.0	V <sub>L</sub> to 5.0	800			kbps	

1. For normal operation, ensure V<sub>L</sub> < (V<sub>CC</sub> + 0.3V). During power-up, V<sub>L</sub> > (V<sub>CC</sub> + 0.3V) will not damage the device
2. For V<sub>CC</sub> = V<sub>L</sub> = 1.8V, t<sub>r</sub> = t<sub>f</sub> ≤ 4ns
3. Power Supply Range: V<sub>L</sub>, V<sub>CC</sub> 1.8V ± 5%, 2.5 ± 0.2V, 3.3 ± 0.3V, 5.0 ± 0.5V.
4. Typical values are referred to T<sub>A</sub>=25°C
5. Rise Time:10% to 90%, Fall Time 90% to 10%
6. t<sub>pd</sub>: 50% to 50%
7. Skew is defined as the absolute value of the difference between the actual propagation delay for any two outputs of the same device switching in the same direction, either HIGH or LOW (t<sub>OSLH</sub> = | t<sub>PLHm</sub> - t<sub>PLHn</sub> |, t<sub>OSHL</sub> = | t<sub>PHLm</sub> - t<sub>PHLn</sub> |)
8. Each translator equally loaded; parameter guaranteed by design

## 5 Test circuit

Figure 4. Test circuit

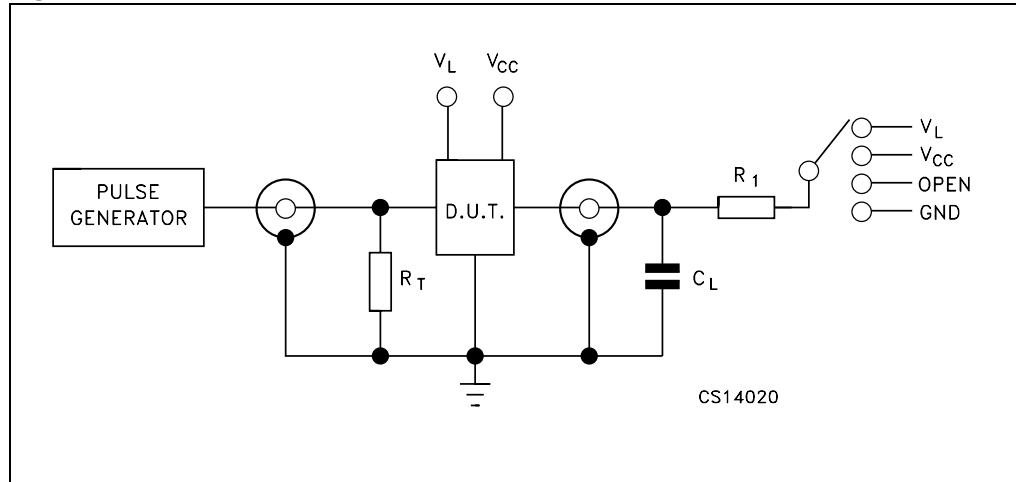


Table 7. Test circuit switches

Test	Switch		
	Driving I/O <sub>V<sub>L</sub></sub>	Driving I/O <sub>V<sub>CC</sub></sub>	Open Drain Driving
$t_{PLH}$ , $t_{PHL}$	Open	Open	Open
$t_{PZL}$ , $t_{PLZ}$	V <sub>CC</sub>	V <sub>L</sub>	-
$t_{PZH}$ , $t_{PHZ}$	Gnd	Gnd	-

Note:  $C_L = 15/50\text{pF}$  or equivalent (includes jig and probe capacitance)

$R_1 = 1\text{K}\Omega$  or equivalent

$R_T = Z_{OUT}$  of pulse generator (typically  $50\Omega$ )

Table 8. Truth table

Control Pin	Bidirectional Input/Outputs	
	I/O <sub>V<sub>L</sub></sub>	I/O <sub>V<sub>CC</sub></sub>
H (1)	H (1)	H (2)
H (1)	L	L
L	Z	Z

1. High Level V<sub>L</sub> Power Supply referred

2. High Level V<sub>CC</sub> Power Supply referred

Note: X= Do not care; Z = High Impedance;

## 6 Waveforms

Table 9. Waveform symbol value

Symbol	Driving I/O <sub>V<sub>L</sub></sub>		Driving I/O <sub>V<sub>CC</sub></sub>	
	$1.8V \leq V_L \leq V_{CC} \leq 2.5V$	$3.3V \leq V_L \leq V_{CC} \leq 5.0V$	$1.8V \leq V_L \leq V_{CC} \leq 2.5V$	$3.3V \leq V_L \leq V_{CC} \leq 5.0V$
V <sub>IH</sub>	V <sub>L</sub>	V <sub>L</sub>	V <sub>CC</sub>	V <sub>CC</sub>
V <sub>IM</sub>	50% V <sub>L</sub>	50% V <sub>L</sub>	50% V <sub>CC</sub>	50% V <sub>CC</sub>
V <sub>OM</sub>	50% V <sub>CC</sub>	50% V <sub>CC</sub>	50% V <sub>CC</sub>	50% V <sub>CC</sub>
V <sub>X</sub>	V <sub>OL</sub> + 0.15V	V <sub>OL</sub> + 0.3V	V <sub>OL</sub> + 0.15V	V <sub>OL</sub> + 0.3V
V <sub>Y</sub>	V <sub>OH</sub> - 0.15V	V <sub>OH</sub> - 0.3V	V <sub>OH</sub> - 0.15V	V <sub>OH</sub> - 0.3V

Figure 5. Waveform - propagation delay (f = 1MHz; 50% duty cycle)

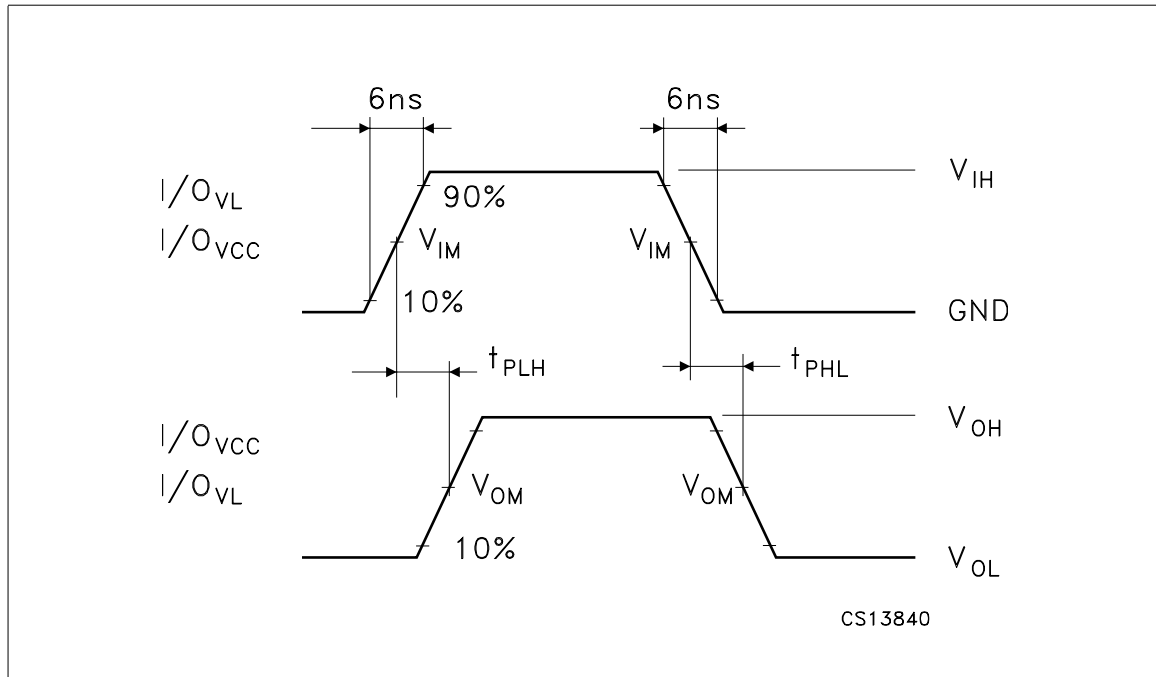
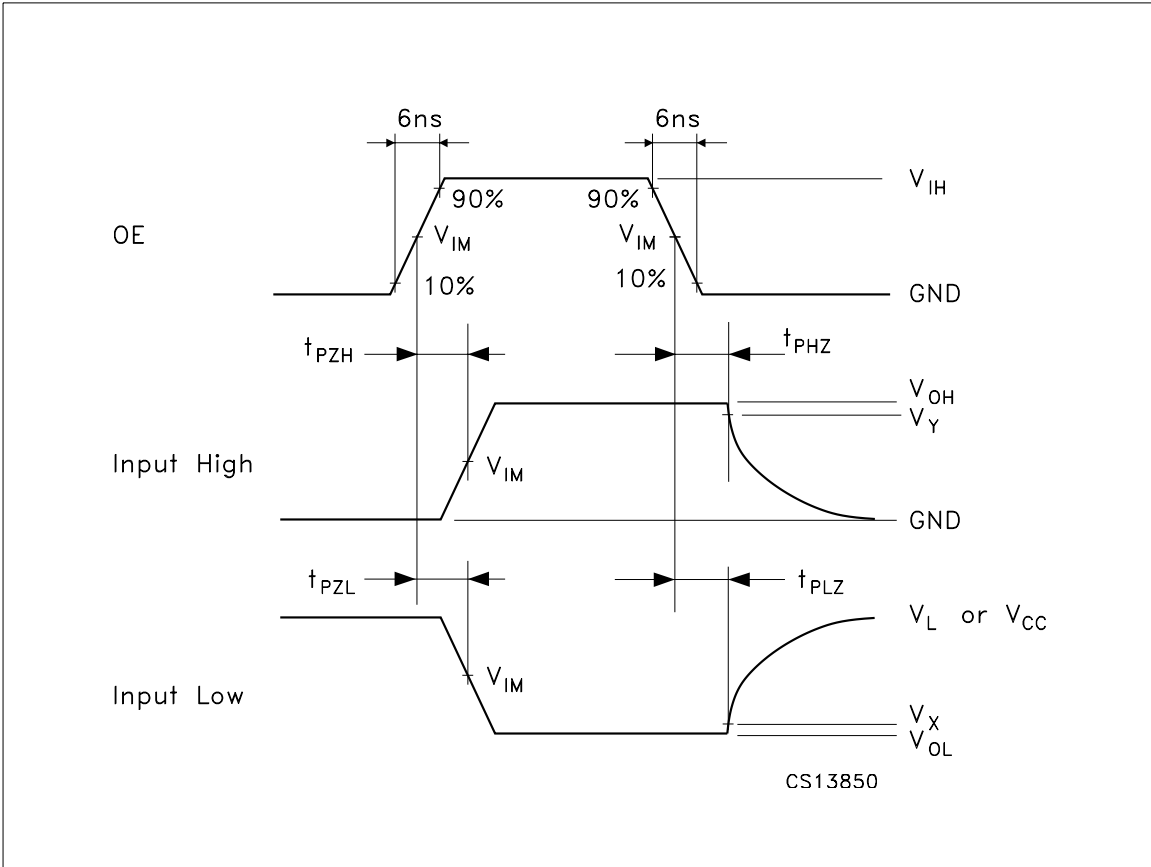


Figure 6. Waveform - output enable and disable time (f = 1MHz; 50% duty cycle)



## 7 Package mechanical data

In order to meet environmental requirements, ST offers these devices in ECOPACK® packages. These packages have a Lead-free second level interconnect . The category of second level interconnect is marked on the package and on the inner box label, in compliance with JEDEC Standard JESD97. The maximum ratings related to soldering conditions are also marked on the inner box label. ECOPACK is an ST trademark. ECOPACK specifications are available at: [www.st.com](http://www.st.com)



Figure 7. TSSOP20 Mechanical data

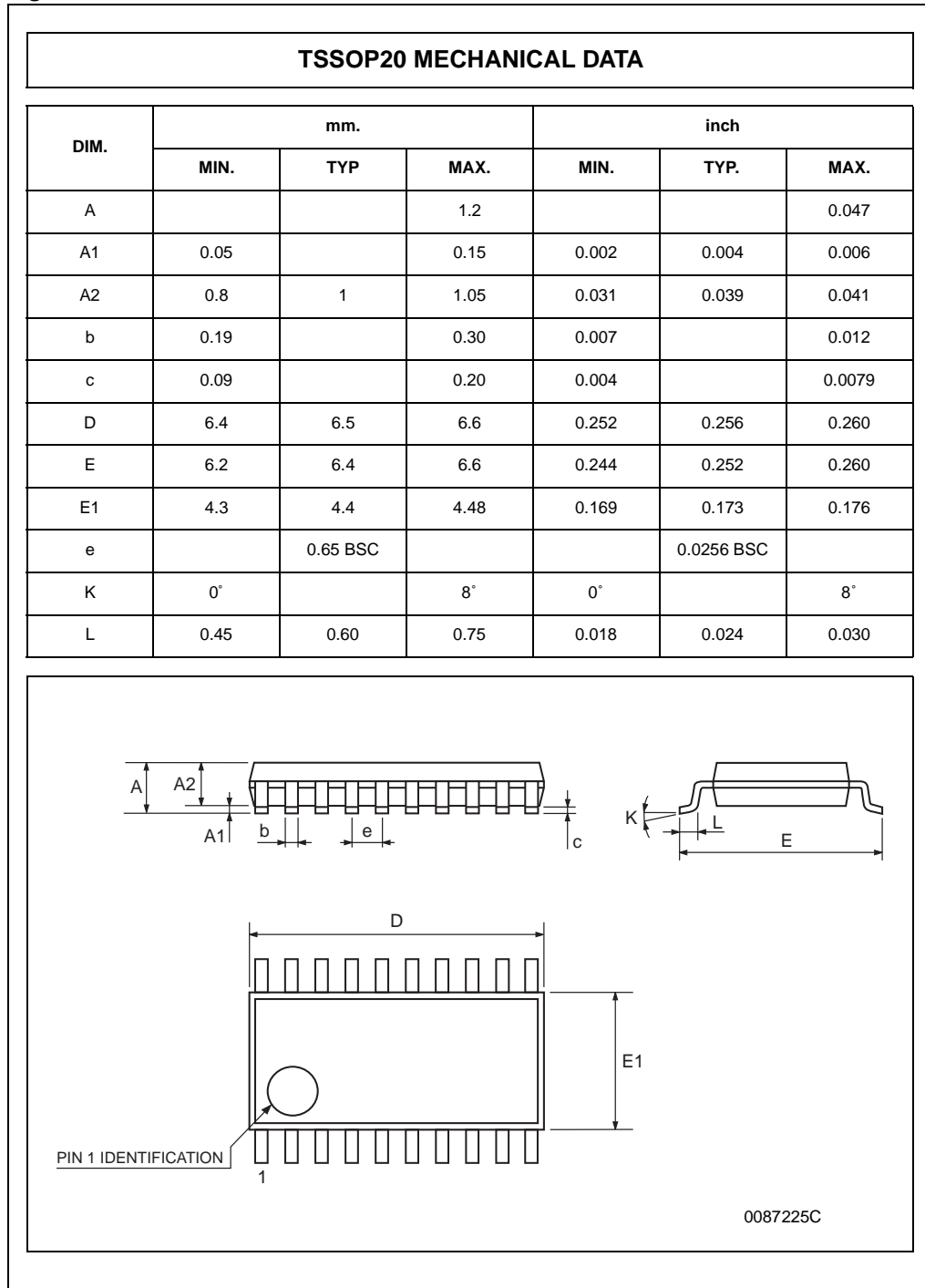


Figure 8. Flip-Chip20 Mechanical data

Flip-Chip20 MECHANICAL DATA						
DIM.	mm.			mils		
	MIN.	TYP.	MAX.	MIN.	TYP.	MAX.
A	0.81	0.89	1.00	31.9	35.0	39.4
A1	0.15	0.24	0.35	5.9	9.4	13.8
A2		0.65			25.6	
b	0.25	0.30	0.35	9.8	11.8	13.8
D	2.41	2.46	2.51	94.9	96.9	98.8
D1		2.00			78.7	
E	1.93	1.98	2.03	76.0	78.0	79.9
E1		1.5			59.1	
e		0.50			19.7	
SE		0.25			9.8	

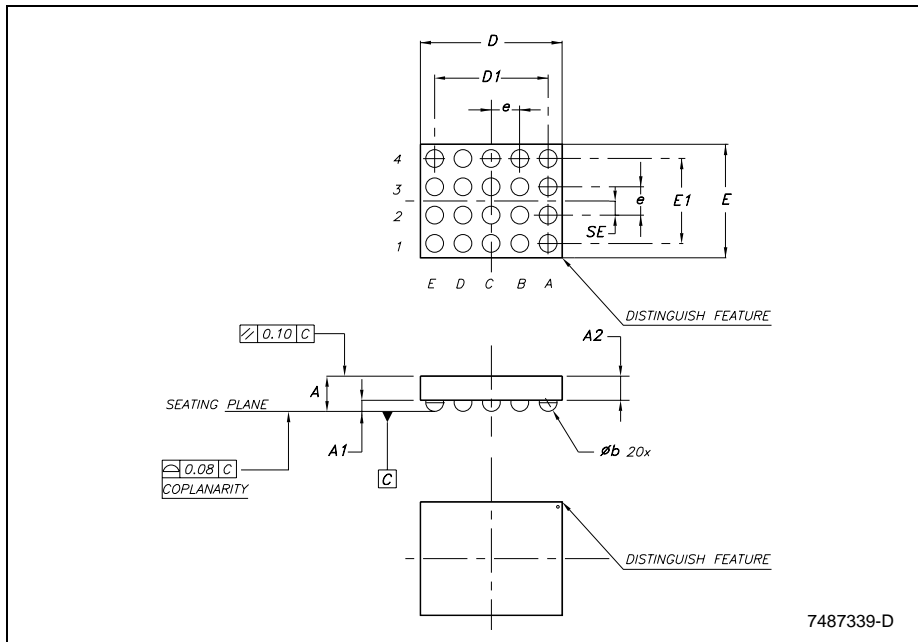


Figure 9. TSSOP20 Tape and reel

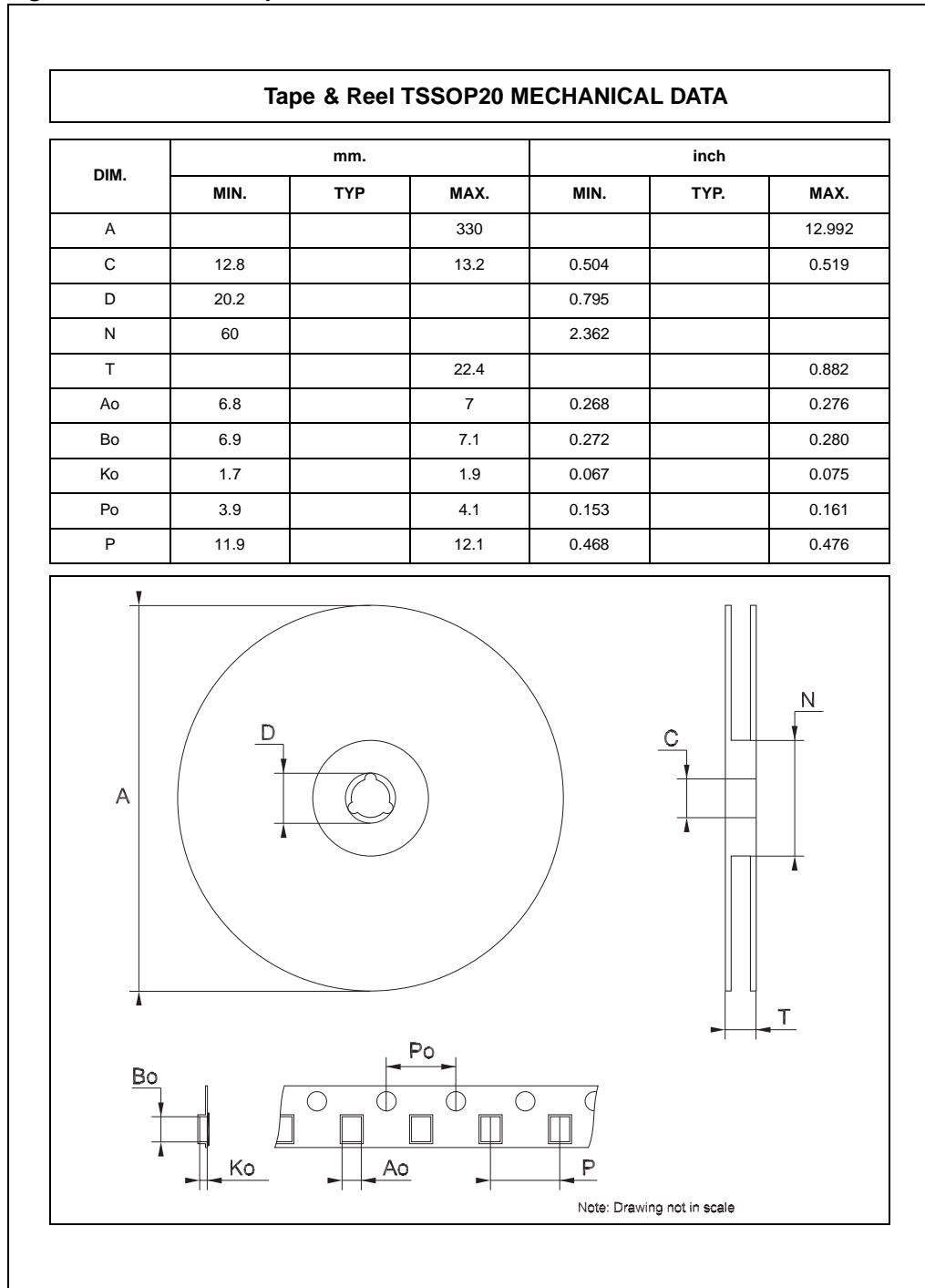
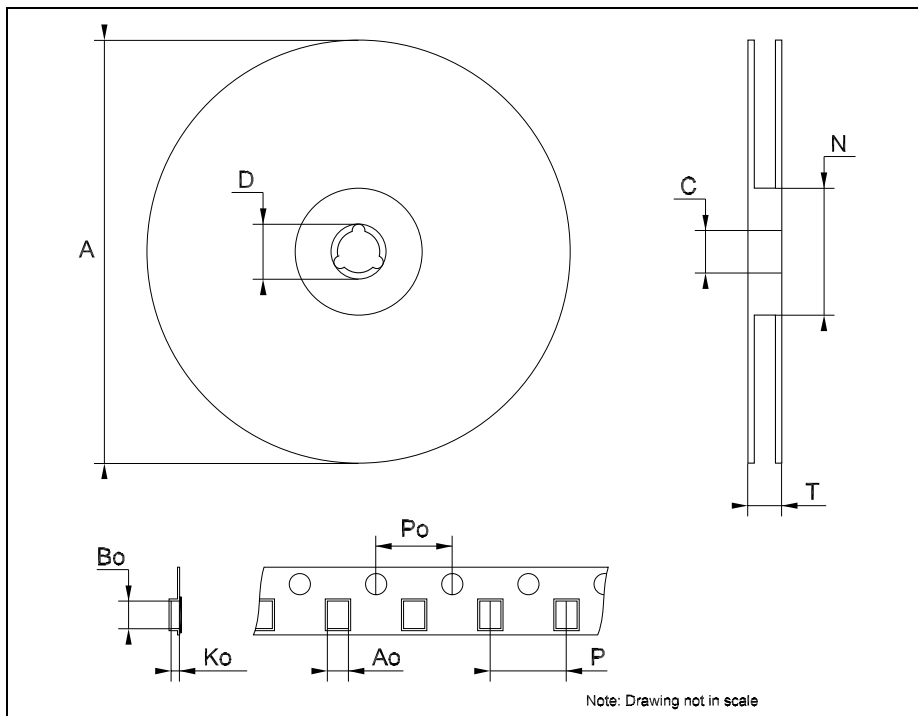


Figure 10. Flip-Chip20 Tape and reel

**Tape & Reel Flip-Chip20 MECHANICAL DATA**

DIM.	mm.			inch		
	MIN.	TYP	MAX.	MIN.	TYP.	MAX.
A			180			7.086
C	12.8		13.2	0.504		0.519
D	20.2			0.795		
N	60			2.362		
T			14.4			0.567
Ao	2.13	2.23	2.33	0.084	0.088	0.092
Bo	2.62	2.72	2.82	0.103	0.107	0.111
Ko	1.05	1.15	1.25	0.041	0.045	0.049
Po	3.9		4.1	0.153		0.161
P	3.9		4.1	0.153		0.161



## 8 Revision history

Table 10. Revision history

Date	Revision	Changes
10-Apr-2006	1	Initial release.

**Please Read Carefully:**

Information in this document is provided solely in connection with ST products. STMicroelectronics NV and its subsidiaries ("ST") reserve the right to make changes, corrections, modifications or improvements, to this document, and the products and services described herein at any time, without notice.

All ST products are sold pursuant to ST's terms and conditions of sale.

Purchasers are solely responsible for the choice, selection and use of the ST products and services described herein, and ST assumes no liability whatsoever relating to the choice, selection or use of the ST products and services described herein.

No license, express or implied, by estoppel or otherwise, to any intellectual property rights is granted under this document. If any part of this document refers to any third party products or services it shall not be deemed a license grant by ST for the use of such third party products or services, or any intellectual property contained therein or considered as a warranty covering the use in any manner whatsoever of such third party products or services or any intellectual property contained therein.

**UNLESS OTHERWISE SET FORTH IN ST'S TERMS AND CONDITIONS OF SALE ST DISCLAIMS ANY EXPRESS OR IMPLIED WARRANTY WITH RESPECT TO THE USE AND/OR SALE OF ST PRODUCTS INCLUDING WITHOUT LIMITATION IMPLIED WARRANTIES OF MERCHANTABILITY, FITNESS FOR A PARTICULAR PURPOSE (AND THEIR EQUIVALENTS UNDER THE LAWS OF ANY JURISDICTION), OR INFRINGEMENT OF ANY PATENT, COPYRIGHT OR OTHER INTELLECTUAL PROPERTY RIGHT.**

**UNLESS EXPRESSLY APPROVED IN WRITING BY AN AUTHORIZED REPRESENTATIVE OF ST, ST PRODUCTS ARE NOT DESIGNED, AUTHORIZED OR WARRANTED FOR USE IN MILITARY, AIR CRAFT, SPACE, LIFE SAVING, OR LIFE SUSTAINING APPLICATIONS, NOR IN PRODUCTS OR SYSTEMS, WHERE FAILURE OR MALFUNCTION MAY RESULT IN PERSONAL INJURY, DEATH, OR SEVERE PROPERTY OR ENVIRONMENTAL DAMAGE.**

Resale of ST products with provisions different from the statements and/or technical features set forth in this document shall immediately void any warranty granted by ST for the ST product or service described herein and shall not create or extend in any manner whatsoever, any liability of ST.

ST and the ST logo are trademarks or registered trademarks of ST in various countries.

Information in this document supersedes and replaces all information previously supplied.

The ST logo is a registered trademark of STMicroelectronics. All other names are the property of their respective owners.

© 2006 STMicroelectronics - All rights reserved

STMicroelectronics group of companies

Australia - Belgium - Brazil - Canada - China - Czech Republic - Finland - France - Germany - Hong Kong - India - Israel - Italy - Japan - Malaysia - Malta - Morocco - Singapore - Spain - Sweden - Switzerland - United Kingdom - United States of America

[www.st.com](http://www.st.com)