

# PCI 6154

## Connectivity

- 64-bit, 33MHz-66MHz Asynchronous operation
- 5V signal input tolerance and 5V signal to 3.3V signal conversions
- 31mm x 31mm PBGA
- 1KB FIFO size
- PCI Bus Types
- Transparent Bridge Function
- Support for 9 Bus Masters

## Performance

- **Flow-Thru™** architecture for higher PCI-to-PCI bridging efficiency
- Intel 21154 pin compatible, plus enhanced features
- Independent external clock input option for secondary port output clocks
- Large 1K Byte buffer for efficient PCI-to-PCI bridging and speed conversion
- 9 pairs of REQ/GNT signals support up to 8 bus masters directly on secondary bus
- EEPROM support for extra register control
- Vital Product Data (VPD)
- 4 general purpose IO interface
- PME D3 wakeup power



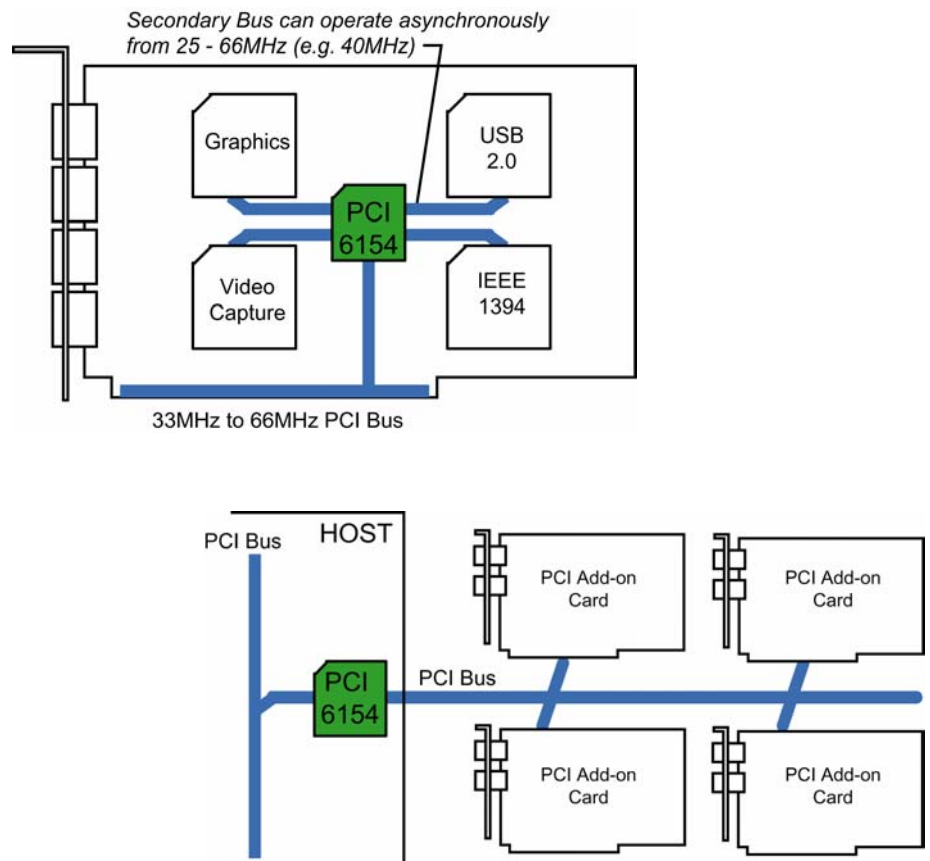
PLX Technology, Inc.  
870 Maude Ave.  
Sunnyvale, CA 94085 USA  
Tel: 1-800-759-3735  
Tel: 1-408-774-9060  
Fax: 1-408-774-2169  
Email: [info@plxtech.com](mailto:info@plxtech.com)  
Web Site: [www.plxtech.com](http://www.plxtech.com)

## *Asynchronous FastLane™ PCI-to-PCI Bridge*

### **Adaptive High Performance Asynchronous 66MHz, 64-bit, PCI-to-PCI Bridge for Servers, Storage, DSP, Telecommunication, Networking and Embedded Applications**

PLX's FastLane™ PCI 6154 is a 64-Bit PCI-to-PCI bridge designed for high performance, high availability applications in bus expansions, programmable data transfer rate control, frequency conversions from slower PCI to faster PCI buses or from faster PCI to slower PCI buses.

The FastLane PCI 6154 includes sophisticated buffer management and buffer configuration options designed to provide customizable performance optimization.



## Product Ordering Information

Part Number	Description
PCI 6154-xx66BC	PCI 6154 PCI-to-PCI Bridge Chip (PBGA)

Please visit the PLX Web site at <http://www.plxtech.com> or contact PLX sales at 408-774-9060 for more information.

© 2004 PLX Technology, Inc. All rights reserved. PLX and the PLX logo are registered trademarks of PLX Technology, Inc. FastLane is a trademark of PLX Technology, Inc., which may be registered in some jurisdiction. All other product names that appear in this material are for identification purposes only and are acknowledged to be trademarks or registered trademarks of their respective companies. Information supplied by PLX is believed to be accurate and reliable, but PLX Technology, Inc. assumes no responsibility for any errors that may appear in this material. PLX Technology, Inc. reserves the right, without notice, to make changes in product design or specification.