

PCI 6152

Connectivity

PCI 6152 (PCI 6152-xx33BC)

- 32-bit, 33MHz Synchronous operation
- 5V signal tolerance
- 15mm x 15mm TBGA
- Transparent Bridge Function
- PCI Bus Types
- Support for 4 Bus Masters

PCI 6152 (PCI 6152-xx66BC)

- AGP 2X Port Compatible
- 32-bit, 66MHz Synchronous operation
- 5V signal tolerance
- 15mm x 15mm TBGA
- Transparent Bridge Function
- PCI Bus Types
- Support for 4 Bus Masters

PCI 6152 (PCI 6152-xx33PC)

- 32-bit, 33MHz Synchronous operation
- 5V signal tolerance
- 160-pin PQFP
- Transparent Bridge Function
- PCI Bus Types
- Support for 4 Bus Masters



PLX Technology, Inc.
870 Maude Ave.
Sunnyvale, CA 94085 USA
Tel: 1-800-759-3735
Tel: 1-408-774-9060
Fax: 1-408-774-2169

Email: info@plxtech.com
Web Site: www.plxtech.com

FastLane™ PCI-to-PCI Bridge Chips

The FastLane™ PCI 6152 is a family of three very low power 32-bit PCI-to-PCI Bridges

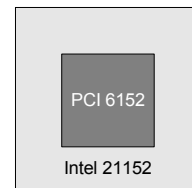
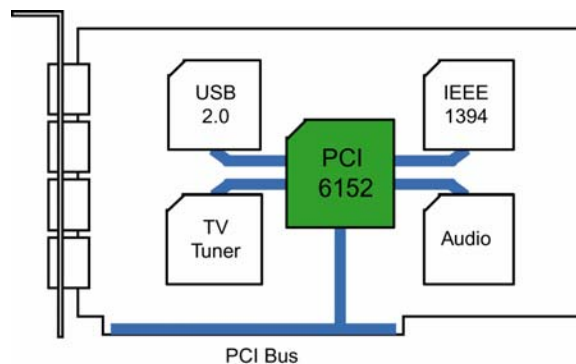
PLX's FastLane PCI 6152 family is specially designed for applications that require high performance 32-bit PCI bus expansion. Add-in card designers can use the FastLane PCI 6152 to expand PCI connection capacity beyond the limitation of a single PCI device. Designers can use the FastLane PCI 6152 to build multi-device PCI cards such as RAID controllers and other multimedia applications.

The FastLane PCI 6152 is optimized for the following applications:

- PCI Latency Sensitive Systems
- PCI-Retry Penalty Sensitive Systems
- PCI Slave Access intensive bridging functions
- High Performance and low cost PCI-to-PCI bridging functions
- Low Power and PCI ClockRun support

Performance

- Smallest PCI-to-PCI package in the world, plus Intel 21152 pin compatible package version
- **No-Retry™** architecture for high PCI-to-PCI bridging efficiency
- 4 pairs of REQ/GNT signals support up to 8 bus masters directly on secondary bus
- EEPROM support for extra register control
- Vital Product Data (VPD)
- 4 general purpose IO interface
- Proven PME D3 wakeup power management



Size Comparison
PCI 6152 is 78%
Smaller than
Intel 21152

Product Ordering Information

Part Number	Description
PCI 6152-xx33BC	PCI 6152—33MHZ, PCI-to-PCI Bridge Chip (TBGA)
PCI 6152-xx66BC	PCI 6152—66MHZ, PCI-to-PCI Bridge Chip (TBGA)
PCI 6152-xx33PC	PCI 6152—33MHZ, PCI-to-PCI Bridge Chip (PQFP)

Please visit the PLX Web site at <http://www.plxtech.com> or contact PLX sales at 408-774-9060 for more information.