

# TSX-3225

Ceramic Seam Weld

## Features

- Ultra miniature size low profile unit  
W:3.2 ,D: 2.5 ,H: 0.6 max. (in mm)
- Excellent shock-proof characteristics (10,000 G min.)
- High reliable LCC package
- Available to Surface Mount Technology and IR-reflow process

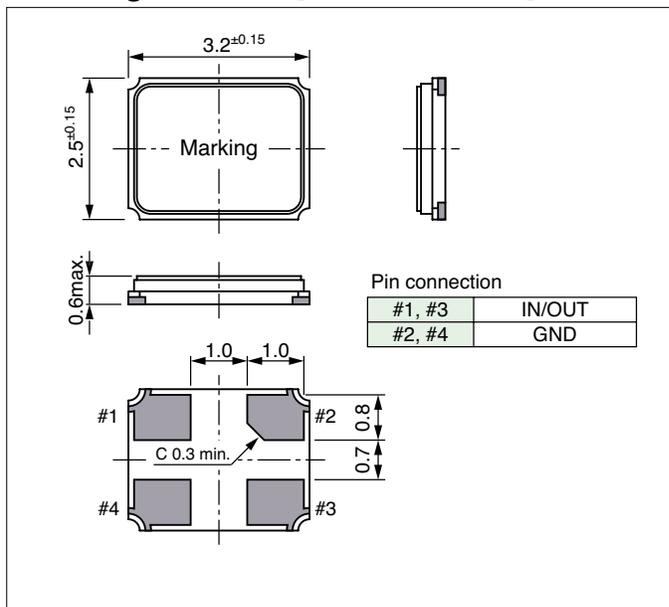
## Application

- Reference oscillator
- Bluetooth,W-LAN
- DSC,DVC

## Specifications

Type	TSX-3225
Frequency range	16 MHz to 48 MHz
Mode of vibration	Fundamental
Frequency tolerance	±10 ppm (at +25 °C ±2°C)
Frequency stability	±10 ppm (-20 °C to +75 °C, Ref. 25 °C)
Load capacitance (CL)	Series , 9 pF,12 pF, 16 pF, etc.
Resonance resistance (Rr)	16 to 20MHz : 60 Ω max. / 21 to 48MHz : 40Ω max.
Drive level	100 μW max.
Aging	±1.0 ppm max. / year

## Package Outlines [Dimensions in mm]



## Footprint [Dimensions in mm]

