

# TUA 6045-2

Low Power 3-Band Digital TV / Portable  
Tuner IC

TAIFUN 3

Communication Solutions



Never stop thinking

**Edition 2006-12-19**

**Published by  
Infineon Technologies AG  
81726 München, Germany**

**© Infineon Technologies AG 2006.  
All Rights Reserved.**

#### **Legal Disclaimer**

The information given in this document shall in no event be regarded as a guarantee of conditions or characteristics ("Beschaffenheitsgarantie"). With respect to any examples or hints given herein, any typical values stated herein and/or any information regarding the application of the device, Infineon Technologies hereby disclaims any and all warranties and liabilities of any kind, including without limitation warranties of non-infringement of intellectual property rights of any third party.

#### **Information**

For further information on technology, delivery terms and conditions and prices please contact your nearest Infineon Technologies Office ([www.infineon.com](http://www.infineon.com)).

#### **Warnings**

Due to technical requirements components may contain dangerous substances. For information on the types in question please contact your nearest Infineon Technologies Office.

Infineon Technologies Components may only be used in life-support devices or systems with the express written approval of Infineon Technologies, if a failure of such components can reasonably be expected to cause the failure of that life-support device or system, or to affect the safety or effectiveness of that device or system. Life support devices or systems are intended to be implanted in the human body, or to support and/or maintain and sustain and/or protect human life. If they fail, it is reasonable to assume that the health of the user or other persons may be endangered.

# TUA 6045-2

Low Power 3-Band Digital TV / Portable  
Tuner IC

TAIFUN 3

Communication Solutions



Never stop thinking

**TUA 6045-2 'TAIFUN 3'**

**Revision History:**            **2006-12-19**                            **Data Sheet, Revision 3.1**

Previous Version:            2006-09-12                            Preliminary Specification, Revision 3.0

Page	Subjects (major changes since last revision)
<b>9 - 11, 28, 30 - 41</b>	L-Band application added. Operating range and AC/DC Characteristics extended for L-Band.
<b>31 - 41</b>	Table Footnote added with description for impedance measurement.

**We Listen to Your Comments**

Any information within this document that you feel is wrong, unclear or missing at all? Your feedback will help us to continuously improve the quality of this document. Please send your proposal (including a reference to this document) to:

[horst.klein@infineon.com](mailto:horst.klein@infineon.com)



<b>Table of Contents</b>		<b>Page</b>
	<b>List of Tables</b> .....	7
	<b>List of Figures</b> .....	8
<b>1</b>	<b>Product Info</b> .....	9
<b>2</b>	<b>Product Description</b> .....	10
2.1	Features .....	10
2.1.1	General .....	10
2.1.2	Mixer/Oscillator .....	10
2.1.3	SAW Filter Driver .....	11
2.1.4	IF AGC Amplifier .....	11
2.1.5	PLL .....	11
2.1.6	IF switch and Loop through for tuner alignment .....	11
2.2	Application .....	11
2.2.1	Recommended band limits in MHz .....	12
<b>3</b>	<b>Functional Description</b> .....	13
3.1	Pin Configuration .....	13
3.2	Pin Definition and Functions .....	14
3.3	Functional Block Diagram .....	21
3.4	Circuit Description .....	22
3.4.1	Mixer-Oscillator-block, SAW filter driver .....	22
3.4.2	RF AGC .....	22
3.4.3	IF AGC amplifier .....	22
3.4.4	PLL block, XTAL oscillator .....	23
3.4.5	Bus Interface .....	23
3.4.6	DC/DC clock output .....	24
3.4.7	Power-on Reset, Stand-by Condition .....	24
3.4.8	IF switch, Loop thru .....	25
<b>4</b>	<b>Applications</b> .....	26
4.1	Tuner application block diagram .....	26
4.2	Application circuit for hybrid application .....	27
4.3	Application circuit for L-Band application .....	28
<b>5</b>	<b>Reference</b> .....	29
5.1	Electrical Data .....	29
5.1.1	Absolute Maximum Ratings .....	29
5.1.2	Operating Range .....	30
5.1.3	AC/DC Characteristics .....	31
5.2	Bus Interface .....	41
5.3	Bus Data Format .....	43
5.4	Bus Timing .....	45
5.5	Data Byte Specification, Function and Defaults .....	48

---

5.5.1	Write Data Registers .....	48
5.5.2	Read Data Registers .....	56
5.6	Measurement Circuits .....	59
5.6.1	Gain (GV) measurement in LOW band .....	59
5.6.2	Gain (GV) measurement in MID and HIGH bands .....	59
5.6.3	Matching circuit for optimum noise figure in LOW band .....	60
5.6.4	Noise figure (NF) measurement in LOW band .....	60
5.6.5	Noise figure (NF) measurement in MID and HIGH bands .....	61
5.6.6	Cross modulation measurement in LOW band .....	61
5.6.7	Cross modulation measurement in MID and HIGH bands .....	62
5.6.8	Ripple susceptibility measurement .....	62
<b>6</b>	<b>Package PG-VQFN-48 .....</b>	<b>63</b>

## List of Tables

Table 1	ATSC tuners . . . . .	12
Table 2	DVB-T and analog tuners . . . . .	12
Table 3	ISDB-T tuners . . . . .	12
Table 4	Absolute Maximum Ratings . . . . .	29
Table 5	Operating Range . . . . .	30
Table 6	AC/DC Characteristics, $T_A = 25^\circ\text{C}$ , $V_{CC} = 3.3\text{V}$ . . . . .	31
Table 7	Pin Function . . . . .	41
Table 8	Chip Address Organization in I2C Mode . . . . .	42
Table 9	Address selection in I2C Mode . . . . .	42
Table 10	Sub Addresses of Write Data Registers . . . . .	42
Table 11	Sub Addresses of Read Data Registers . . . . .	43
Table 12	Bus Data Format . . . . .	43
Table 13	Bus Timing . . . . .	46
Table 14	Subaddress 00H, Main Divider . . . . .	48
Table 15	Subaddress 01H, Control Bytes. . . . .	49
Table 16	Subaddress 02H, Reference Divider R and Crystal Oscillator Control . . . . .	50
Table 17	Subaddress 03H, AGC control and IF Signal Processing Control . . . . .	52
Table 18	Subaddress 04H, DC-DC Converter . . . . .	54
Table 19	Subaddress 06H, Mode Bytes, Test Mode and Standby Control . . . . .	55
Table 20	Subaddress 80H, Status . . . . .	56
Table 21	Subaddress 8EH, Chip Code "6045" . . . . .	57
Table 22	Subaddress 8FH, Revision Code, advanced with design steps . . . . .	58

## List of Figures

Figure 1	Pin Configuration TUA 6045-2 in VQFN-48 Package . . . . .	13
Figure 2	Block Diagram TUA 6045-2 in VQFN-48 package. . . . .	21
Figure 3	Functional Block Diagram of IF switch and Loop thru . . . . .	25
Figure 4	Tuner application block diagram . . . . .	26
Figure 5	Circuit diagram for hybrid application (DVB-T / PAL). . . . .	27
Figure 6	Circuit diagram for L-Band application. . . . .	28
Figure 7	I2C Bus . . . . .	45
Figure 8	3-Wire Bus . . . . .	45
Figure 9	Gain (GV) measurement in LOW band . . . . .	59
Figure 10	Gain (GV) measurement in MID and HIGH bands. . . . .	59
Figure 11	Matching circuit for optimum noise figure in LOW band . . . . .	60
Figure 12	Noise figure (NF) measurement in LOW band. . . . .	60
Figure 13	Noise figure (NF) measurement in MID and HIGH bands . . . . .	61
Figure 14	Cross modulation measurement in LOW band . . . . .	61
Figure 15	Cross modulation measurement in MID and HIGH bands. . . . .	62
Figure 16	Ripple susceptibility measurement . . . . .	62
Figure 17	PG-VQFN-48 Vignette . . . . .	63
Figure 18	PG-VQFN-48 Outline Drawing. . . . .	63



# 1 Product Info

## General Description

The **TUA 6045-2** integrates the mixer-oscillator, AGC amplifier and a digitally programmable phase lock loop (PLL). This makes the **TUA 6045-2** an ideal product for applications where size and low power consumption are required design key factors. Typical applications include TV's, VCR's, Set Top Boxes (STB) and also a range of portable products.

## Features

### General

- Suitable for PAL, NTSC, SECAM, DVB, DMB, DAB, ISDB-T and ATSC
- High band covers frequency range for L-Band up to 1.5 GHz
- Supply voltage range from 3 to 5.5 V
- Combined small - wide AGC detection
- AGC + AGC buffer output
- Low phase noise
- Full ESD protection
- Qualified according to JEDEC for consumer applications

### Mixer/Oscillator

- Three band tuner
- Unbalanced highohmic LOW band input
- Balanced lowohmic MID band input
- Balanced lowohmic HIGH band input
- Two pin oscillators for LOW/MID band
- Four pin oscillator for HIGH band

### IF-Amplifier

- 4 IF pins to connect a 2 pole bandpass
- Symmetrical SAW driver
- Fully balanced IF AGC amplifier

### PLL

- I<sup>2</sup>C / three wire combi bus
- 4 independent I<sup>2</sup>C addresses
- High voltage VCO tuning output
- Two PMOS ports
- One voltage referred port
- Internal LOW/MID/HIGH band switch
- Xtal oscillator, range from 4 to 16 MHz
- Xtal buffer output with programmable level and output divider
- Clock generator for DC/DC converter with programmable low and high time

### Power management

- Bus controlled stand by mode

### Application

- The IC is suitable for PAL, NTSC, SECAM, DVB-C, DVB-T, DVB-H, DMB-T, DAB, ISDB-T, ATSC and L-Band tuners.

## Ordering Information

Type	Ordering Code	Package
TUA 6045-2	SP000250164	PG-VQFN-48

## 2 Product Description

The **TUA 6045-2** integrates the mixer-oscillator, variable AGC output amplifier and a digitally programmable phase lock loop (PLL) not requiring an external high voltage buffer. Furthermore, the **TUA 6045-2** integrates a buffered RF AGC and programmable clock signals for an external DC-DC up converter.

The integrated mixer oscillator function comprises of three balanced mixers. The first mixer has an unbalanced high impedance input while the other two have balance low impedance inputs. The tuner also has firstly, 2-pin asymmetric oscillators for both Low and Mid bands and secondly a 4-pin symmetrical oscillator for High band operations including a band selector switch.

The output signal from the mixer is amplified via a SAW filter driver followed by variable gain amplifier stage in order to achieve a constant output level used for A/D conversion. All functions can be programmed with up to four different IC addresses. Also, the PLL connected to a 4-16 MHz reference crystal which is buffered on-chip, allows the setting of the tuner oscillator with a minimum step size of 20 kHz. A Lock flag will be set once the PLL is locked and communicated via the I2C/3-Wire bus.

The complete control setting of the IC is done by a microprocessor via the I2C/3-Wire bus. The device also has three output ports of which P2 can be configured as a programmable output voltage port.

### 2.1 Features

#### 2.1.1 General

- Supply voltage range 3 to 5.5 V.
- Suitable for PAL, NTSC, SECAM, DVB-T/H/C, DAB, ISDB-T, ATSC and L-Band.
- Wideband and Narrow AGC detectors for tuner RF AGC
  - 5 programmable take-over points
  - 2 programmable time constants.
- Low phase noise.
- Full ESD protection.

#### 2.1.2 Mixer/Oscillator

- High impedance mixer input (common emitter) for LOW band.
- Low impedance mixer input (common base) for MID band.
- Low impedance mixer input (common base) for HIGH band.
- 2 pin oscillator for LOW band.
- 2 pin oscillator for MID band.
- 4 pin oscillator for HIGH band.
- Oscillator for HIGH band divided by 3 available for MID band mixer.

### 2.1.3 SAW Filter Driver

- Symmetrical IF preamplifier with low output impedance able to drive a compensated SAW filter (500  $\Omega$ //40 pF).

### 2.1.4 IF AGC Amplifier

- Symmetrical variable gain IF output amplifier with low noise, high linearity, high dynamic range.

### 2.1.5 PLL

- 4 independent I<sup>2</sup>C addresses, or 3-Wire bus mode.
- I<sup>2</sup>C bus protocol compatible with 3.3 V and 5V micro-controllers up to 400 kHz.
- High voltage VCO tuning output.
- 3 PNP ports, one of them realized as programmable voltage output.
- 1 clock output for external DC/DC upconversion to generate the tuning supply voltage, may be used as NPN port.
- Stand-by programmable for functional blocks allows customized ramping.
- Internal LOW/MID/HIGH band switch.
- Lock-in flag.
- 4 to 16 MHz crystal oscillator with programmable output buffer.
- programmable reference divider ratios.
- 4 charge pump currents, programmable in 15 steps.

### 2.1.6 IF switch and Loop through for tuner alignment

- 2 programmable switches to bypass the bandpass/SAW filter to facilitate the tuner pre-stage alignment.

## 2.2 Application

- The IC is suitable for PAL, NTSC, SECAM, DVB-T/H/C, DAB, ISDB-T, ATSC and L-Band tuners.
- The integrated RF AGC control has wide band detectors at the mixer inputs and a narrowband detector at the saw filter driver output.

## 2.2.1 Recommended band limits in MHz

**Table 1 ATSC tuners**

Band	RF input		Oscillator	
	min.	max.	min.	max.
LOW	55.25	157.25	101	203
MID	163.25	451.25	201	479
HIGH	457.25	861.25	503	907

**Table 2 DVB-T and analog tuners**

Band	RF input		Oscillator	
	min.	max.	min.	max.
LOW	48.25	154.25	87.15	193.15
MID	161.25	439.25	200.15	478.15
HIGH	447.25	863.25	486.15	902.15

**Table 3 ISDB-T tuners**

Band	RF input		Oscillator	
	min.	max.	min.	max.
LOW	93	167	150	224
MID	173	467	230	524
HIGH	473	767	530	824

*Note: Tuning margin of 3 MHz not included.*

### 3 Functional Description

#### 3.1 Pin Configuration

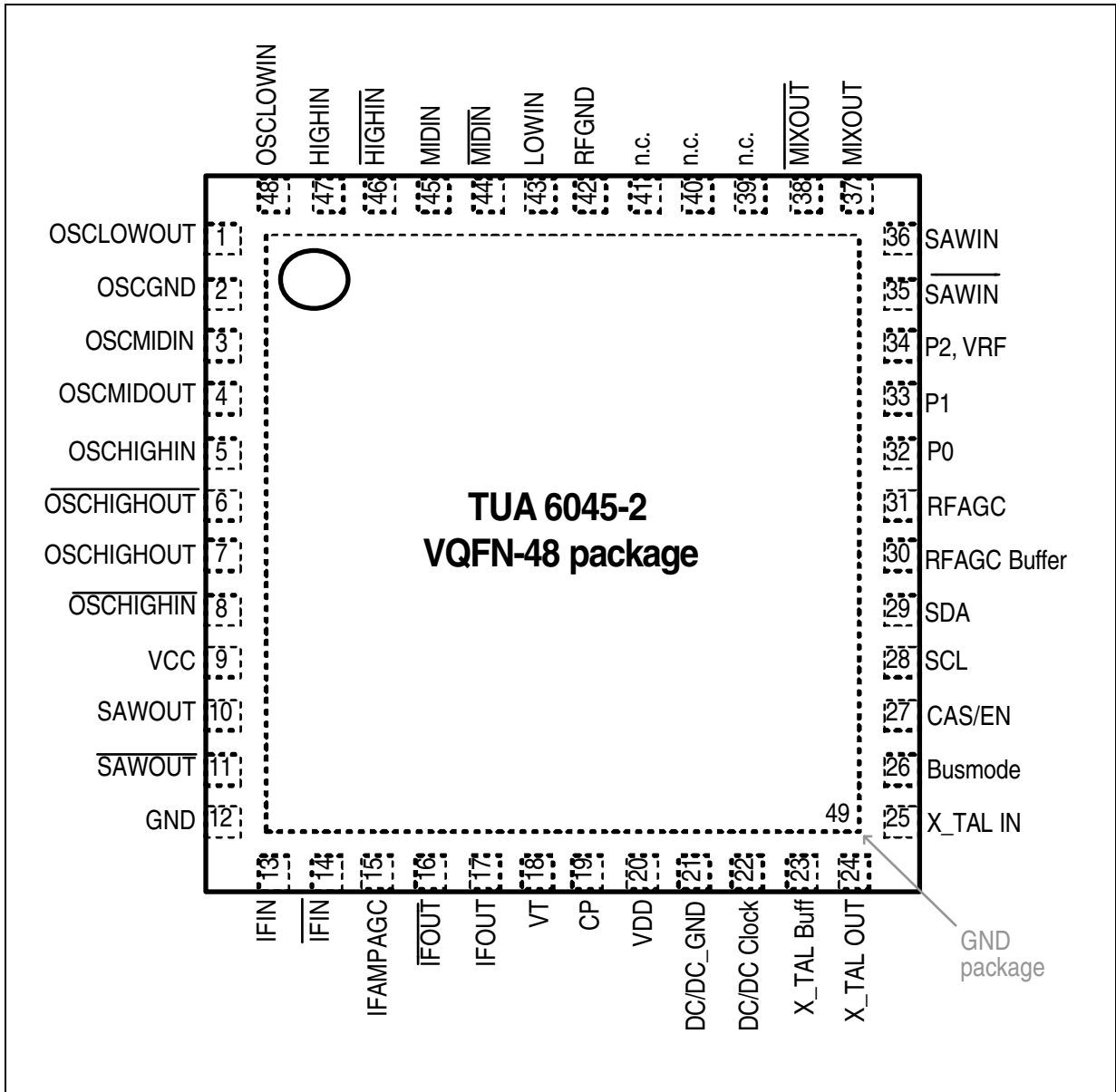
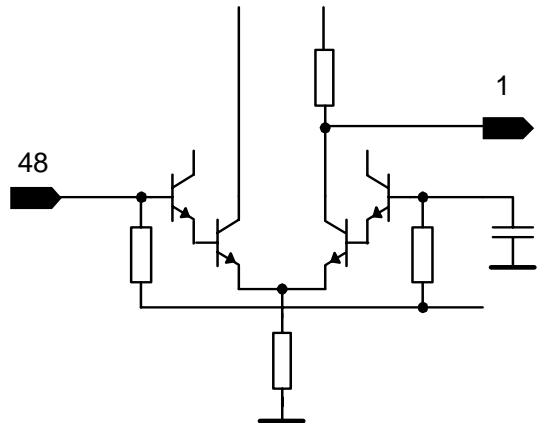
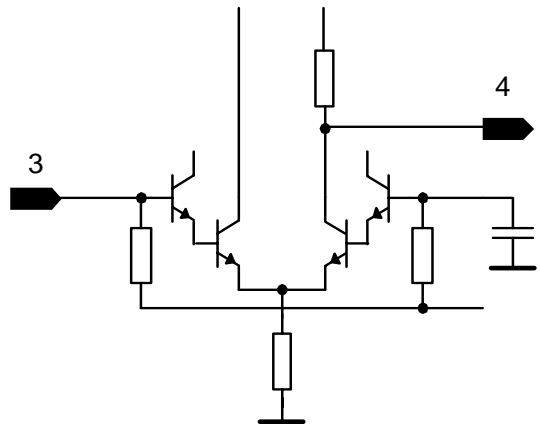


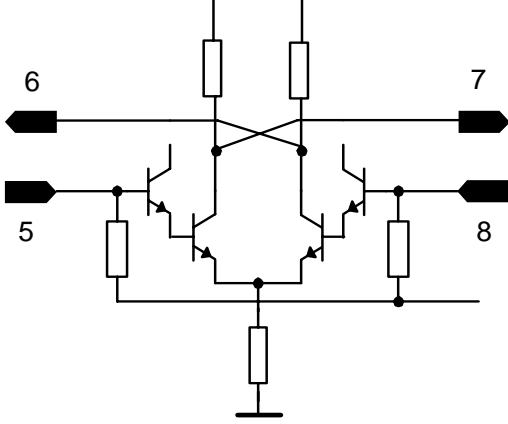
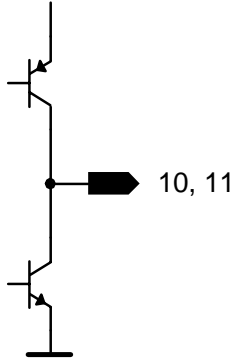
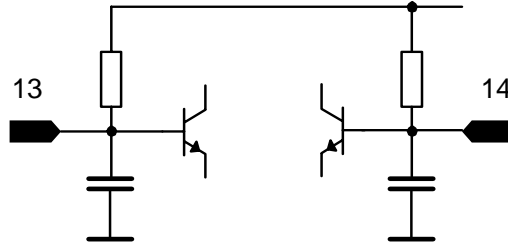
Figure 1 Pin Configuration TUA 6045-2 in VQFN-48 Package

### 3.2 Pin Definition and Functions

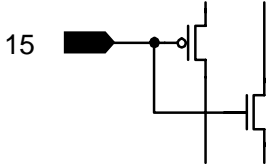
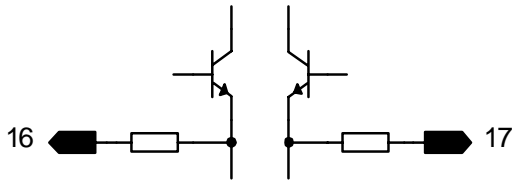
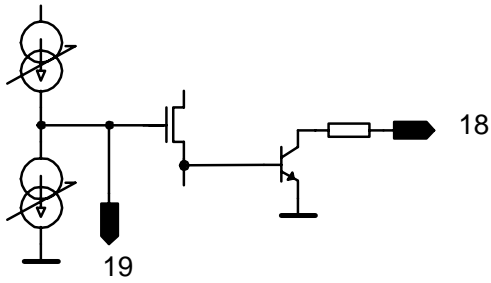
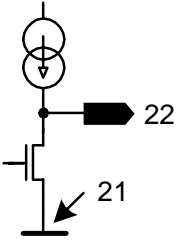
- Pin Definition and Functions

Pin No.	Symbol	Equivalent I/O Schematic	Average DC voltage at $V_{CC} = 3.3V$		
			LOW	MID	HIGH
48	OSCLOWIN		2.3 V		
1	OSCLOWOUT		1.8 V		
2	OSCGND	Oscillator ground	0.0 V	0.0 V	0.0 V
3	OSCMIDIN			2.3 V	
4	OSCMIDOUT			1.8 V	

Functional Description

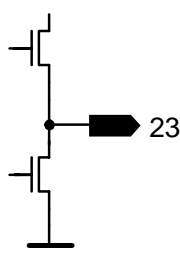
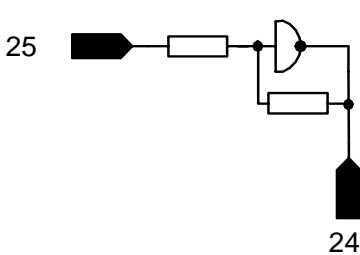
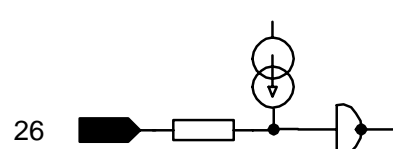
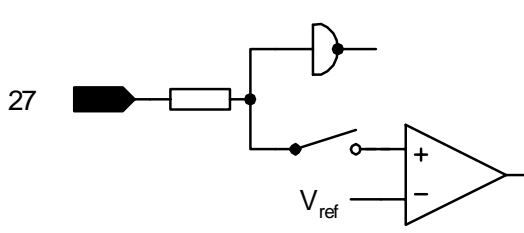
Pin No.	Symbol	Equivalent I/O Schematic	Average DC voltage at $V_{CC} = 3.3V$		
			LOW	MID	HIGH
5	OSCHIGHIN				2.3 V
6	OSCHIGOUT				2.25 V
7	OSCHIGOUT				2.25 V
8	OSCHIGHIN				2.3 V
9	VCC	Supply voltage	3.3 V	3.3 V	3.3 V
10	SAWOUT		1.65 V	1.65 V	1.65 V
11	SAWOUT		1.65 V	1.65 V	1.65 V
12	GND		0.0 V	0.0 V	0.0 V
13	IFIN		2.64 V	2.64 V	2.64 V
14	IFIN		2.64 V	2.64 V	2.64 V

Functional Description

Pin No.	Symbol	Equivalent I/O Schematic	Average DC voltage at $V_{CC} = 3.3V$		
			LOW	MID	HIGH
15	IFAMPAGC		n.a.	n.a.	n.a.
16	IFOUT		1.6 V	1.6 V	1.6 V
17	IFOUT		1.6 V	1.6 V	1.6 V
18	VT		VT	VT	VT
19	CP		1.7 V	1.7 V	1.7 V
20	VDD	Supply voltage	3.3 V	3.3 V	3.3 V
21	DC/DC_GND		0.0 V	0.0 V	0.0 V
22	DC/DC Clock		n.a.	n.a.	n.a.



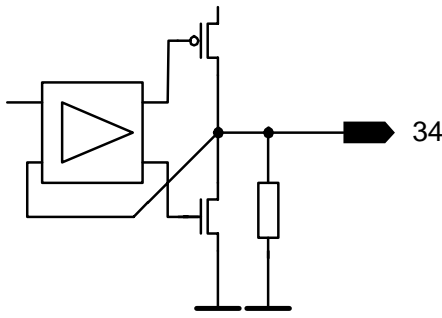
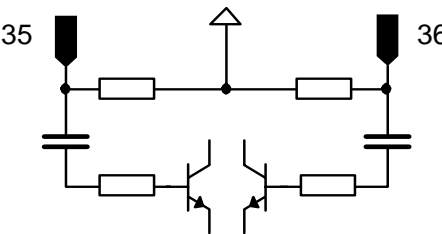
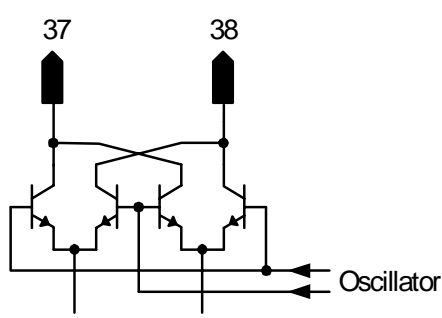
Functional Description

Pin No.	Symbol	Equivalent I/O Schematic	Average DC voltage at $V_{CC} = 3.3V$		
			LOW	MID	HIGH
23	XTAL Buffer				
24	XTAL Out		0.9 V	0.9 V	0.9 V
25	XTAL In		0.9 V	0.9 V	0.9 V
26	Busmode		n.a.	n.a.	n.a.
27	CAS/EN		n.a.	n.a.	n.a.

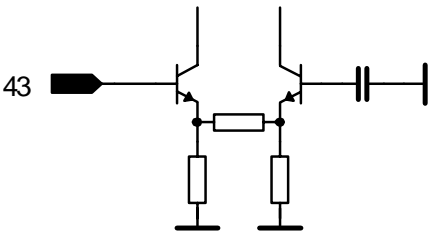
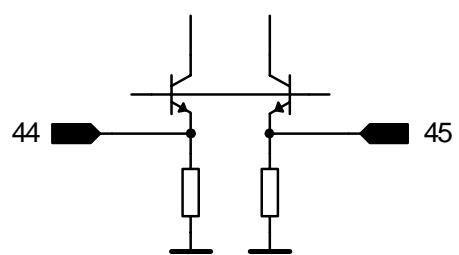
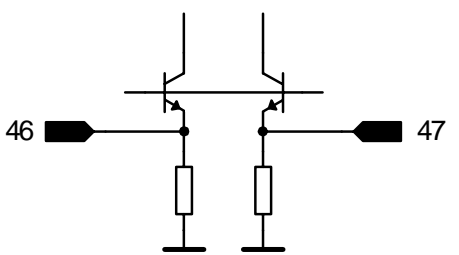
Functional Description

Pin No.	Symbol	Equivalent I/O Schematic	Average DC voltage at $V_{CC} = 3.3V$		
			LOW	MID	HIGH
28	SCL		n.a.	n.a.	n.a.
29	SDA		n.a.	n.a.	n.a.
30	RFAGC Buffer		3.2 V	3.2 V	3.2 V
31	RFAGC		3.2 V	3.2 V	3.2 V
32	P0		0 V or $V_{CC} - V_{CE}$	0 V or $V_{CC} - V_{CE}$	0 V or $V_{CC} - V_{CE}$
33	P1		0 V or $V_{CC} - V_{CE}$	0 V or $V_{CC} - V_{CE}$	0 V or $V_{CC} - V_{CE}$

Functional Description

Pin No.	Symbol	Equivalent I/O Schematic	Average DC voltage at $V_{CC} = 3.3V$		
			LOW	MID	HIGH
34	P2, VRF		VRF	VRF	VRF
35	SAWIN		$V_{CC}$	$V_{CC}$	$V_{CC}$
36	SAWIN		$V_{CC}$	$V_{CC}$	$V_{CC}$
37	MIXOUT		$V_{CC}$	$V_{CC}$	$V_{CC}$
38	MIXOUT		$V_{CC}$	$V_{CC}$	$V_{CC}$
39	n. c.				
40	n. c.				
41	n. c.				
42	RFGND	IF ground	0.0 V	0.0 V	0.0 V

Functional Description

Pin No.	Symbol	Equivalent I/O Schematic	Average DC voltage at $V_{CC} = 3.3V$		
			LOW	MID	HIGH
43	LOWIN		2		
44	MIDIN			1	
45	MIDIN			1	
46	HIGHIN				1
47	HIGHIN				1
49	GND package	Exposed pad ground (Die pad)	0.0 V	0.0 V	0.0 V

### 3.3 Functional Block Diagram

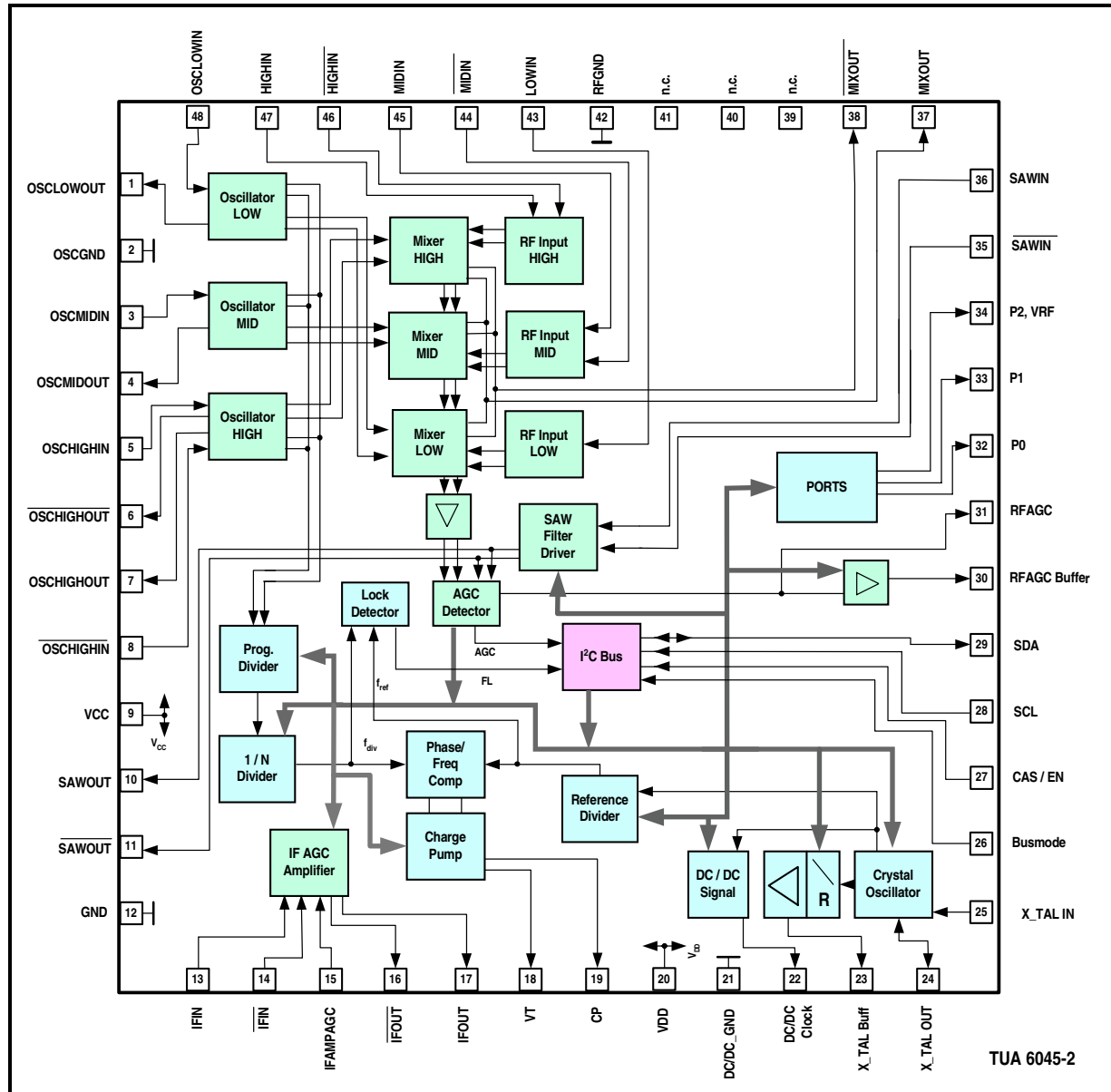


Figure 2 Block Diagram TUA 6045-2 in VQFN-48 package

## 3.4 Circuit Description

### 3.4.1 Mixer-Oscillator-block, SAW filter driver

The mixer-oscillator block includes three balanced mixers (one mixer with an unbalanced high-impedance input and two mixers with a balanced low-impedance input), two 2-pin asymmetrical oscillators for the LOW and the MID band, one 4-pin symmetrical oscillator for the HIGH band, a reference voltage, and a band switch.

Filters between tuner input and IC separate the TV frequency signals into three bands. The band switching in the tuner front-end is done by using three PNP port outputs. In the selected band, the signal passes through a tuner input stage with a MOSFET amplifier, a double-tuned bandpass filter and is finally fed to the mixer input of the IC. The impedance of the mixer at LOW band has high ohmic, while MID or HIGH band has a low ohmic input. The input signal is mixed there with the signal from the activated on chip oscillator to the IF frequency.

The IF is filtered by means of an external SAW filter (Surface Acoustic Waves filter) in between the 2 mixer output pins and the 2 input pins of the following SAW filter driver. The SAW filter driver has a low output impedance to drive the SAW filter directly.

### 3.4.2 RF AGC

The RF AGC stage combines a wide band and a narrow band detection. The wide band detector (WB) detects the input signal directly at the RF input for each band. The narrow band detector (NB) detects the level of the SAW filter driver output signal. If both detected levels are below the RF AGC take-over points, an external capacity will be charged with the source current of 300 nA or 9  $\mu$ A (release current). If one of the detected levels is above the RF AGC take-over points, the external capacity will be discharged with the sink current of 100  $\mu$ A (attack current). The integrated current generates an AGC voltage for gain control of the tuners input transistors. The AGC take-over and the time constant are selectable by the I<sup>2</sup>C bus as shown in [Table 17 "Subaddress 03H, AGC control and IF Signal Processing Control" on Page 52](#).

An integrated RF AGC buffer allows to monitor the AGC voltage without any influence on the tuner gain control. This buffer can be disabled as shown in [Table 16 "Subaddress 02H, Reference Divider R and Crystal Oscillator Control" on Page 50](#)

### 3.4.3 IF AGC amplifier

Coming out of the SAW filter the IF signal is sent through a VGA (Variable Gain Amplifier) which will set the differential IF output signal to the desired level (preferably 1 Vpp). The gain of the VGA is determined by the DC-voltage at pin IFAMPAGC

### 3.4.4 PLL block, XTAL oscillator

The VCO frequency  $f_{OSC}$  is stabilized by a digital CMOS PLL (Phase Locked Loop, Frequency Synthesizer). The oscillator signal is internally DC-coupled as a differential signal to the programmable divider input. The signal subsequently passes through a programmable divider (N) and then the divided VCO signal:

$$f_{div} = \frac{f_{OSC}}{N}, (N = 240 \dots 65535)$$

is compared in a digital frequency/phase detector (PD, frequency detector) with a programmable reference frequency:

$$f_{ref} = \frac{f_{XTAL}}{R}, (R = 2 \dots 1023)$$

which is derived from a quartz reference  $f_{XTAL}$  divided by a programmable reference divider (R).

The phase detector has a linear operating range without a dead zone for very small phase deviations. A programmable ABL pulse width (Anti BackLash) works against the delay of the charge pump cell. The selectable ABL pulse width values have been implemented for test purpose only and have no performance effects.

The phase detector has two outputs (up & down) that drive two current sources of opposite polarity as charge pump (CP). If the negative edge of the divided VCO signal appears prior to the negative edge of the reference signal, the positive current source ( $I_{source}$ ) pulses for the duration of the phase difference. In the reverse case the negative current source ( $I_{sink}$ ) pulses. If the two signals are in phase (PLL is locked), the integrated charge pump current is approximately zero. In case of active closed loop control the charge pump provides programmable output current drive capability to optimize the loop requirements. The charge pump currents are programmable from 0 to 1.125 mA in steps of 75  $\mu$ A.

The PLL contains an integrated lock detector. A lock-in flag is set when the loop is locked. It can be read by the processor via the common I<sup>2</sup>C/3-Wire bus.

The crystal oscillator (XTAL) is an unbalanced Pierce oscillator which operates in parallel resonance with quartz crystals from 4...16 MHz. By programming it's possible to pass the oscillator frequency  $f_{XTAL}$  through a divider stage to a buffered output pin or to use an external quartz clock for the reference oscillator via a switchable preamplifier for test purpose only.

### 3.4.5 Bus Interface

The programming of the CMOS frequency synthesizer is done via a combined serial I<sup>2</sup>C/3-Wire bus interface. The choice of the desired bus is made by a bus mode select signal at pin BUSMODE.

In I<sup>2</sup>C-bus mode four different chip addresses can be set by appropriate DC levels at pin CAS (Chip Address Select), while in 3-Wire mode the chip is addressed by a low active enable signal at pin EN.

The content of the bus telegram (serial data format) is controlled by software programming and assigned to the registers of the functional units according to the several sub addresses. The most significant bit (MSB) of the data protocol is shifted in first.

The clock is generated by the processor (input pin SCL/Clock), while pin SDA/Data functions as an input or an output (open drain, external pull-up resistor) depending on the direction of the data (write or read mode). Both inputs have schmitt-trigger circuits with hysteresis and furthermore a low-pass characteristic, which suppress a certain noise level on the bus lines and enhance so the noise immunity of the combi-bus.

A detailed description of the chip address organization in I<sup>2</sup>C-mode as well as the used sub addresses of the data registers is given in [chapter 5.2 "Bus Interface" on page 41](#) - and the programmable I<sup>2</sup>C/3-Wire bus data format is shown in [chapter 5.3 "Bus Data Format" on page 43](#).

### 3.4.6 DC/DC clock output

To drive a bipolar NPN switching transistor of an external DC/DC converter directly, a programmable DC/DC clock generator is integrated. The clock frequency and the duty cycle of the DC/DC clock generator can be set over the I<sup>2</sup>C/3-Wire bus as shown in [Table 18 "Subaddress 04H, DC-DC Converter" on Page 54](#).

### 3.4.7 Power-on Reset, Stand-by Condition

While applying the supply voltage, integrated power-on reset circuits ensure a defined state after initial power-up. The required programming data will be set to default values.

When  $V_{CC}$  fall below approximately 1.2 V (typ.) the power-on resets go active and tie all write data registers to their power-on defaults (= power-down reset). While power-on reset is active no programming is possible.

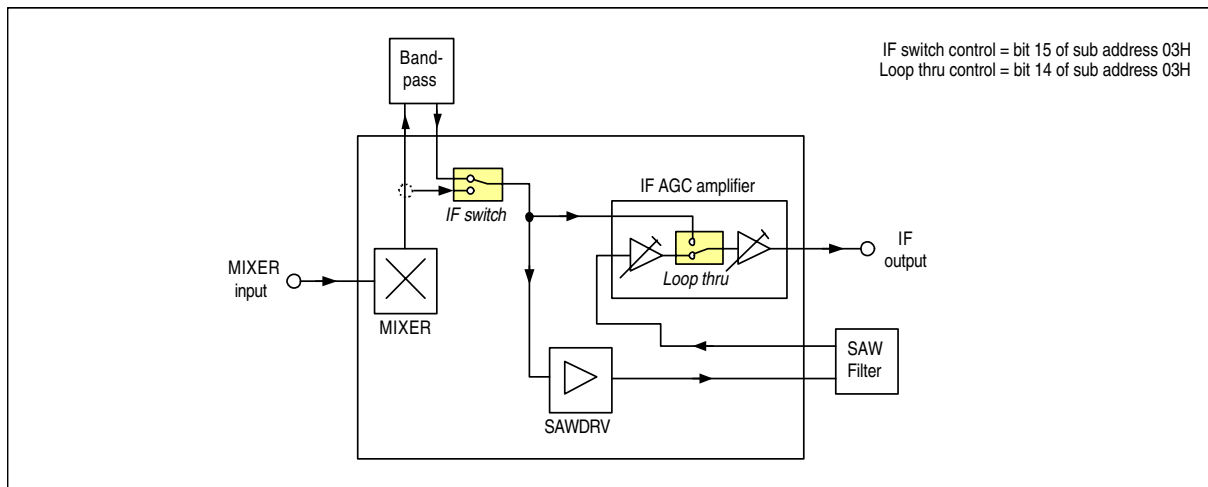
The power-on flags (POF<sub>x</sub>) are set at power-on and when  $V_{VCCx}$  falls below appr. 1.2 V (typ.). They will be reset at the end of a READ operation of the status register.

By programmable stand-by control bits it's possible to reduce the current consumption of the IC up to 99%. In the full stand-by mode only bus interface is staying active and the current consumption is reduced below 200  $\mu$ A. After power-on reset only bus interface and XTAL-oscillator with bandgap are active and the current consumption is about 2.6 mA (typ.).



### 3.4.8 IF switch, Loop thru

For the alignment procedure of the tuner module two programmable switches are integrated to bypass the bandpass, the SAW driver and the SAW filter. The first switch called "IF switch" can switch between the mixer output signal and the bandpass output signal. The second switch called "Loop thru" can switch between the signal after the first stage of the IF AGC amplifier and the SAW filter output signal.



**Figure 3 Functional Block Diagram of IF switch and Loop thru**

## 4 Applications

### 4.1 Tuner application block diagram

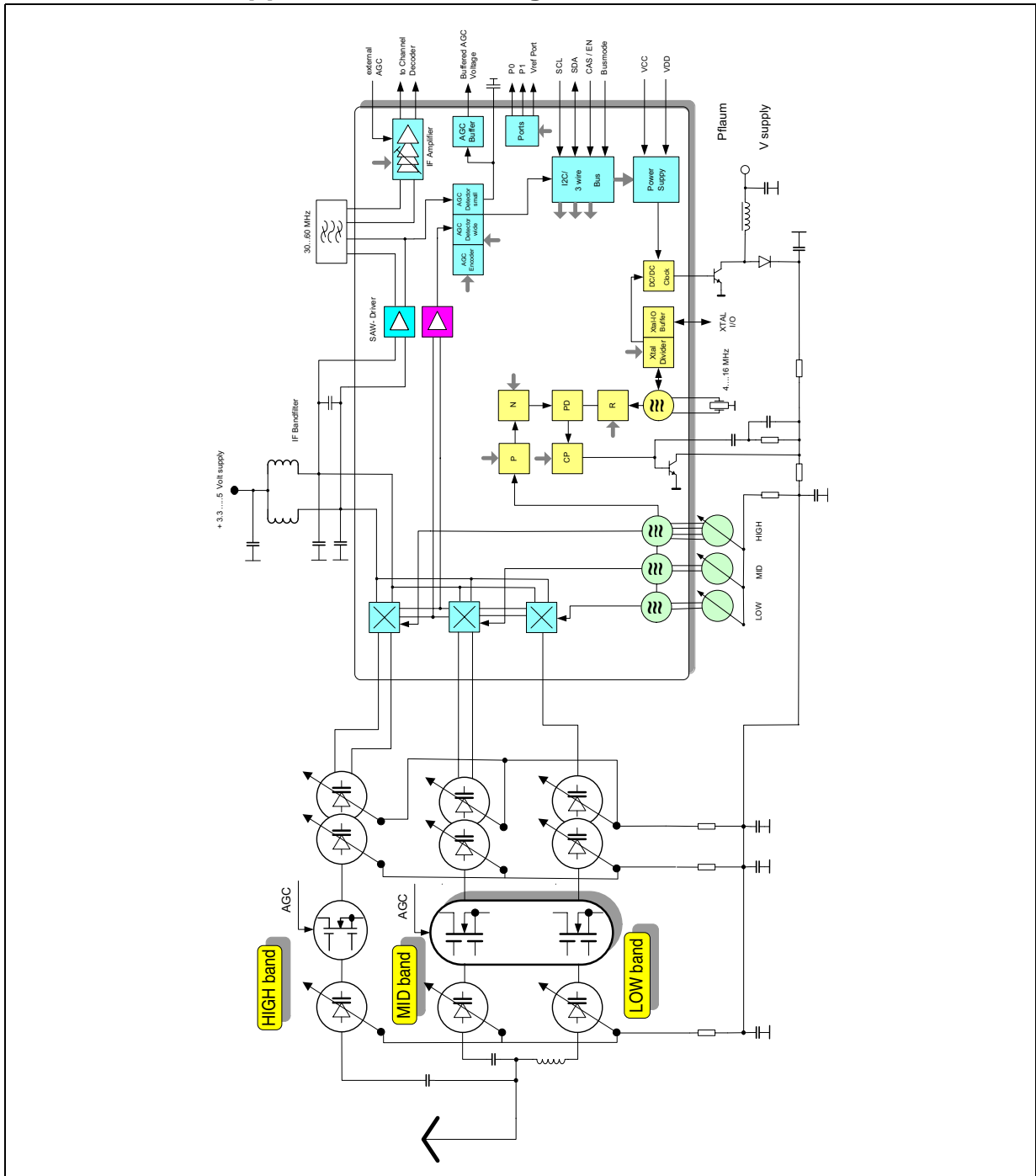


Figure 4 Tuner application block diagram

## 4.2 Application circuit for hybrid application

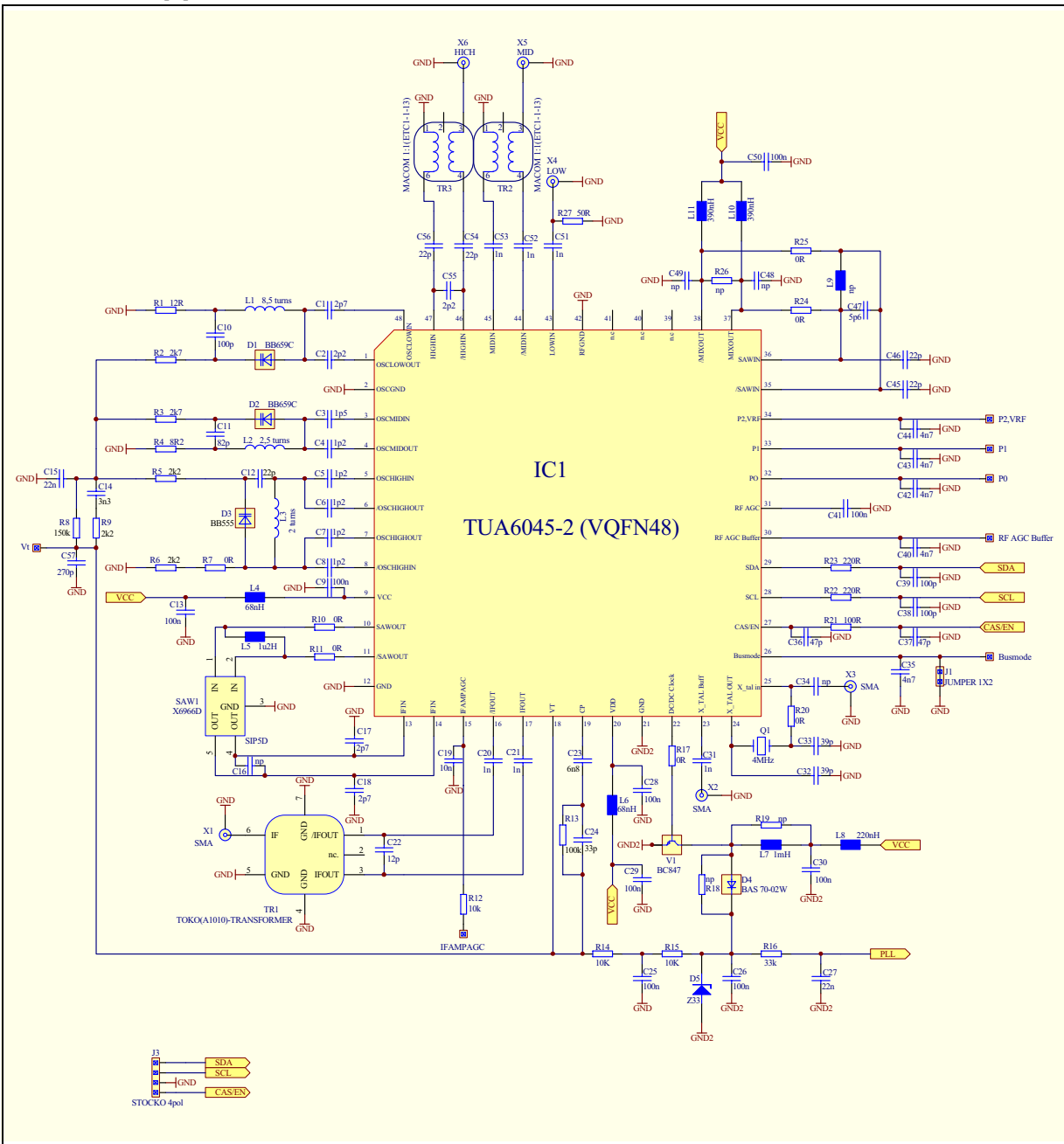


Figure 5 Circuit diagram for hybrid application (DVB-T / PAL)

### 4.3 Application circuit for L-Band application

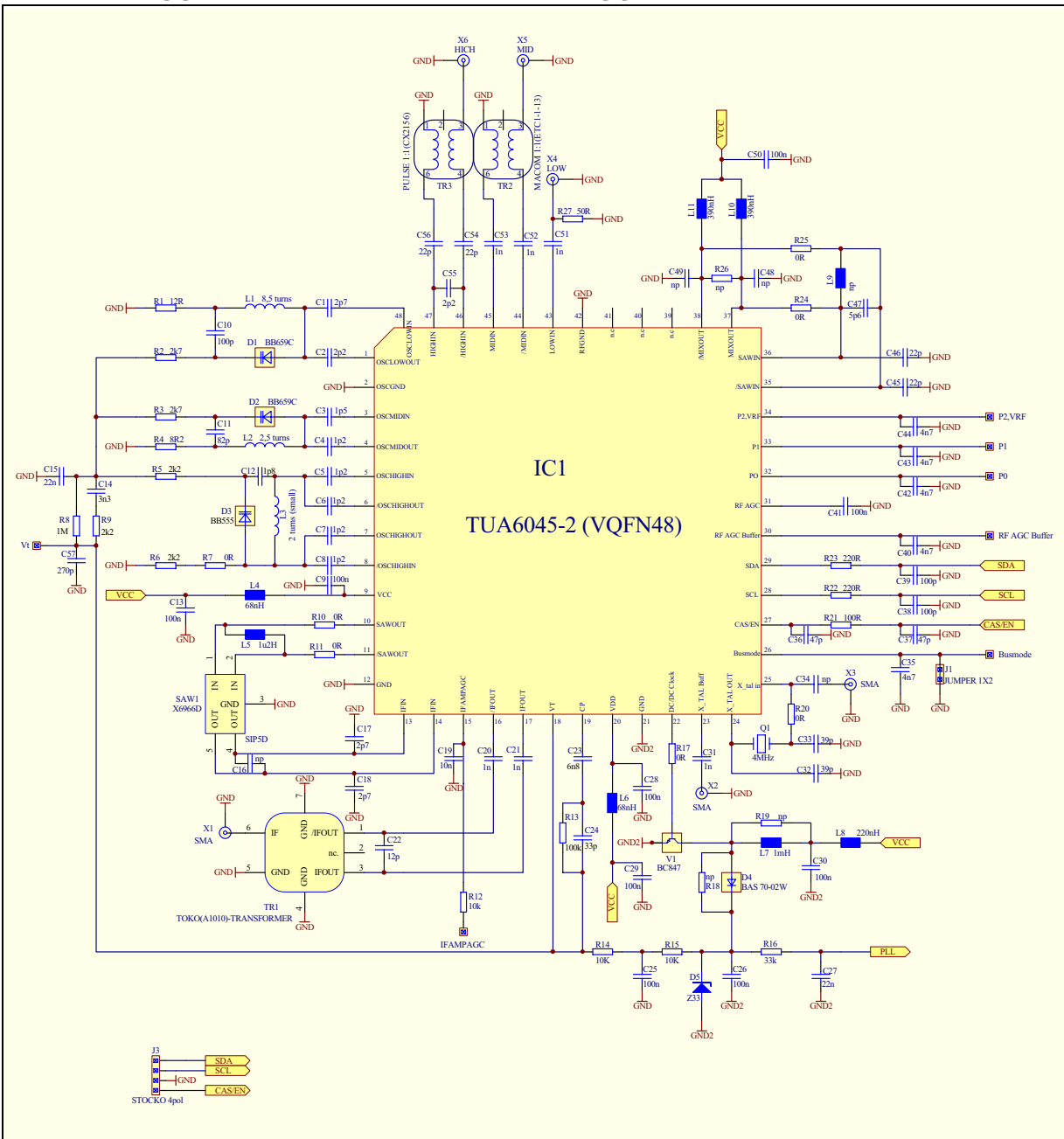


Figure 6 Circuit diagram for L-Band application

## 5 Reference

### 5.1 Electrical Data

#### 5.1.1 Absolute Maximum Ratings

**Attention:** *The maximum ratings may not be exceeded under any circumstances, not even momentarily and individually, as permanent damage to the IC will result.*

**Table 4 Absolute Maximum Ratings**

#	Parameter	Symbol	Limit Values		Unit	Remarks
			min.	max.		
1.	Supply voltage	$V_{CC}$	-0.3	5.5	V	
2.	Ambient temperature	$T_A$	-40	+85	°C	exposed GND pad soldered
3.	Junction temperature	$T_J$	-40	+125	°C	
4.	Storage temperature	$T_{Stg}$	-40	+125	°C	
5.	Thermal resistance junction to ambient	$R_{THJA}$		39	K/W	exposed GND pad soldered
PLL						
6.	CP	$V_{CP}$	-0.3	3	V	
7.		$I_{CP}$		1	mA	
8.	Bus input/output SDA	$V_{SDA}$	-0.3	5.5	V	
9.	Bus output current SDA	$I_{SDA(L)}$		10	mA	open drain
10.	Bus input SCL	$V_{SCL}$	-0.3	5.5	V	
11.	Chip address switch AS	$V_{AS}$	-0.3	5.5	V	
12.	VCO tuning output (loop filter)	$V_{VT}$	-0.3	35	V	
13.	PMOS port output current of P0, P1	$I_{P(L)}$	-10	0	mA	open drain
14.	PMOS port output current of P2, VRF	$I_{P(L)}$	-2	2	mA	analog voltage
			-10	0	mA	digital switch
15.	Total port output current of PMOS ports	$\Sigma I_{P(L)}$	-20	0	mA	$t_{max} = 0.1$ s at 5.5 V
16.	DC/DC output current	$I_{DC/DC}$		20	mA	

#	Parameter	Symbol	Limit Values		Unit	Remarks
			min.	max.		
Mixer-Oscillator						
17.	Mix inputs LOW band	$V_{LOW}$	-0.3	3	V	
18.	Mix inputs MID/HIGH band	$V_{MID/HIGH}$		2	V	
19.		$I_{MID/HIGH}$	-5	6	mA	
20.	VCO base voltage	$V_B$	-0.3	3	V	LOW, MID and HIGH band oscillators
21.	VCO collector voltage	$V_C$		5.5	V	LOW, MID and HIGH band oscillators
22.	Voltage on all other inputs, outputs, except GNDs	$V_{max}$	-0.3	$V_{CC}$	V	
ESD-Protection						
23.	all pins	$V_{ESD}$		2	kV	

## 5.1.2 Operating Range

**Table 5 Operating Range**

#	Parameter	Symbol	Limit Values		Unit	Remarks
			min.	max.		
1.	Supply voltage	$V_{CC}$	+3.0	+5.5	V	nominal 3.3 V
2.	Ambient temperature	$T_A$	-20	+85	°C	exposed GND pad soldered
3.	Programmable divider factor	N	240	65535		
4.	LOW mixer input frequency range	$f_{MIXL}$	30	200	MHz	
5.	MID band mixer input frequency range	$f_{MIXM}$	130	500	MHz	

#	Parameter	Symbol	Limit Values		Unit	Remarks
			min.	max.		
6.	HIGH band mixer input frequency range	$f_{MIXH}$	350	1500	MHz	
7.	LOW oscillator frequency range	$f_{OL}$	65	250	MHz	
8.	MID band oscillator frequency range	$f_{OM}$	165	530	MHz	
9.	HIGH band oscillator frequency range	$f_{OH}$	400	1550	MHz	

### 5.1.3 AC/DC Characteristics

**Table 6 AC/DC Characteristics,  $T_A = 25^\circ\text{C}$ ,  $V_{CC} = 3.3\text{V}$** 

#	Parameter <sup>1)</sup>	Symbol	Limit Values			Unit	Test Conditions	■
			min.	typ.	max.			
Supply								
10.	Current consumption in active mode	$I_{VCC}$		39		mA	VGA V1,V0=11, SAW S1,S0=11	
11.				47		mA	VGA V1,V0=10, SAW S1,S0=10	
12.				54		mA	VGA V1,V0=01, SAW S1,S0=01	
13.				64		mA	VGA V1,V0=00, SAW S1,S0=00	
14.			$I_{MIX}$		7		mA	Mixer current
15.	$I_{VDD}$		8		mA	Digital part		
16.	Current consumption in stand-by mode	$I_{stby}$		2.6		mA	bias, bus-interface and crystal oscillator active	
17.				170		$\mu\text{A}$	full standby IIC mode	
18.				7		$\mu\text{A}$	full standby 3-wire mode	

#	Parameter <sup>1)</sup>	Symbol	Limit Values			Unit	Test Conditions	■
			min.	typ.	max.			

**Digital Part**
**PLL**
**Crystal oscillator connections XTAL**

19.	Crystal frequency	$f_{XTAL}$	3.2	4.0	16	MHz		
20.	Crystal resistance	$R_{XTAL}$			270	$\Omega$	4 MHz, 2x39pF	
21.					90	$\Omega$	16 MHz, 2x18pF	
22.	Crystal oscillator transconductance	$g_{m,XTAL}$		-850	-600	$\mu A/V$	$V_{OUT} = 0.9V$ $V_{IN} = 0.8$ to $1.0V$	
23.	Oscillator impedance	$Y_{XTALOSC}$		-150		$\mu A/V$	4 MHz, 2x39pF	
24.				-200		$\mu A/V$	16 MHz, 2x18pF	
25.	Buffer output frequency	$f_{XTALIO}$	0.4		16	MHz	Divider ratios 1, 2, 4, 8	
26.	XTAL Buffer output low voltage	$V_{low}$	0	50	100	mV		
27.	Buffer signal voltage	$V_{AC}$		200		$mV_{pp}$	XTAL3,XTAL2=0,1	
28.				400		$mV_{pp}$	XTAL3,XTAL2=1,0	
29.				800		$mV_{pp}$	XTAL3,XTAL2=1,1	
30.	External input signal voltage	$V_{ACin}$	1	3		$V_{pp}$	Amp off	
31.			50	200		$mV_{pp}$	Amp on	

**Tuning voltage output VT (open collector)**

32.	Output voltage when the loop is closed, (test mode in normal operation)	$V_{TL}$	0.4		32.7	V		
-----	---	----------	-----	--	------	---	--	--

**Ports**

33.	Standard Ports (PMOS)	$I_{max}$	-10			mA		
34.	Output saturation voltage	$V_{max}$		0.25	0.4	V		
35.	Voltage referred port	$I_{max}$	-2			mA		



#	Parameter <sup>1)</sup>	Symbol	Limit Values			Unit	Test Conditions	■
			min.	typ.	max.			
36.	Voltage refered port	$V_0$		0		V		
		$V_1 \dots$		0.1		V		
		$V_{26}$		2.6		V		
		$V_{27}$		2.7		V		

**DC/DC clock generator**

37.	Programmable high	$T_{High}$	1		127		Multiple of crystal oscillator period	
38.	Programmable low	$T_{Low}$	1		127		Multiple of crystal oscillator period	
39.	Output high current	$I_{high}$		250		$\mu A$	Functional Range 0-2V	
40.	Output low impedance	$R_{low}$		10		$\Omega$		

**Analog Part without IF AGC**
**LOW band mixer and SAW driver at power level S1,S0=10**

41.	RF frequency	$f_{RF}$	44.25		170.25	MHz	picture carrier <sup>2)</sup>	
42.	Voltage gain	$G_V$	21	24	27	dB	$f_{RF} = 48.25$ MHz to 154.25 MHz <a href="#">see 5.6.1 on page 59</a>	
43.	Noise figure	NF		8	10	dB	$f_{RF} = 48.25$ MHz to 154.25 MHz <a href="#">see 5.6.4 on page 60</a>	
44.	SAWOUT output voltage causing 0.8% of crossmodulation in channel	$V_o$		111		dB $\mu V$	$f_{RF} = 48.25$ MHz to 154.25 MHz <a href="#">see 5.6.6 on page 61</a>	
45.	Input IP3	IIP3		120		dB $\mu V$	$f_{RF1} = 48.25$ MHz, $f_{RF2} = 49.25$ MHz, $P_{RF1} = P_{RF2}$	
46.				120		dB $\mu V$	$f_{RF1} = 154.25$ MHz, $f_{RF2} = 155.25$ MHz, $P_{RF1} = P_{RF2}$	

#	Parameter <sup>1)</sup>	Symbol	Limit Values			Unit	Test Conditions	■
			min.	typ.	max.			
47.	Output voltage causing 1 dB compression	$V_o$		125		dB $\mu$ V	$f_{RF} = 48.25$ MHz to 154.25 MHz	
48.	Local oscillator FM caused by I <sup>2</sup> C communication	$FM_{I2C}$			2.12	kHz	$f_{RF} = 154.25$ MHz <sup>3)</sup>	
49.	(N+5) - 1 MHz pulling	N+5 - 1 MHz	77	80		dB $\mu$ V	$f_{RFw} = 69.25$ MHz, $f_{OSC} = 108.15$ MHz, $f_{RFu} = 108.25$ MHz <sup>4)</sup>	
50.	Input impedance	$R_p$		1		k $\Omega$	parallel equivalent circuit at 100 MHz <sup>5)</sup>	
51.	$Z_i = (R_p \parallel 1/j\omega C_p)$	$C_p$		2		pF		
Mid band mixer and SAW driver at power level S1, S0=10								
52.	RF frequency	$f_{RF}$	154.25		454.25	MHz	picture carrier <sup>2)</sup>	
53.	Voltage gain	$G_V$	31	34	37	dB	$f_{RF} = 161.25$ MHz to 439.25 MHz <a href="#">see 5.6.2 on page 59</a>	
54.	Noise figure (not corrected for image)	NF		6	8	dB	$f_{RF} = 161.25$ MHz to 439.25 MHz <a href="#">see 5.6.5 on page 61</a>	
55.	SAWOUT output voltage causing 0.8% of crossmodulation in channel	$V_o$		110		dB $\mu$ V	$f_{RF} = 161.25$ MHz to 439.25 MHz <a href="#">see 5.6.7 on page 62</a>	
56.	Input IP3	IIP3		110		dB $\mu$ V	$f_{RF1} = 161.25$ MHz, $f_{RF2} = 162.25$ MHz, $P_{RF1} = P_{RF2}$	
57.				108		dB $\mu$ V	$f_{RF1} = 439.25$ MHz, $f_{RF2} = 440.25$ MHz, $P_{RF1} = P_{RF2}$	
58.	Output voltage causing 1 dB compression	$V_o$		125		dB $\mu$ V	$f_{RF} = 161.25$ MHz to 439.25 MHz	
59.	Local oscillator FM caused by I <sup>2</sup> C communication	$FM_{I2C}$			2.12	kHz	$f_{RF} = 439.25$ MHz <sup>3)</sup>	

#	Parameter <sup>1)</sup>	Symbol	Limit Values			Unit	Test Conditions	■
			min.	typ.	max.			
60.	(N+5) - 1 MHz pulling	N+5 - 1 MHz	77	80		dB $\mu$ V	$f_{RFw} = 359.25$ MHz, $f_{OSC} = 398.15$ MHz, $f_{RFu} = 398.25$ MHz <sup>4)</sup>	
61.	Input impedance	$R_s$		35		$\Omega$	$f_{RF} = 161.25$ MHz	
62.	$Z_i = (R_s + j\omega L_s)$	$L_s$		8		nH	to 439.25 MHz <sup>5)</sup>	
HIGH band mixer and SAW driver at power level S1,S0=10								
63.	RF frequency	$f_{RF}$	399.25		863.25	MHz	picture carrier <sup>2)</sup>	
64.	Voltage gain	$G_V$	31	34	37	dB	$f_{RF} = 447.25$ MHz to 863.25 MHz <a href="#">see 5.6.2 on page 59</a>	
65.	Noise figure (not corrected for image)	NF		6	8	dB	$f_{RF} = 447.25$ MHz to 863.25 MHz <a href="#">see 5.6.5 on page 61</a>	
66.	SAWOUT output voltage causing 0.8% of crossmodulation in channel	$V_o$		110		dB $\mu$ V	$f_{RF} = 447.25$ MHz to 863.25 MHz <a href="#">see 5.6.7 on page 62</a>	
67.	Input IP3	IIP3		106		dB $\mu$ V	$f_{RF1} = 447.25$ MHz, $f_{RF2} = 448.25$ MHz, $P_{RF1} = P_{RF2}$	
68.				108		dB $\mu$ V	$f_{RF1} = 863.25$ MHz, $f_{RF2} = 864.25$ MHz, $P_{RF1} = P_{RF2}$	
69.	Output voltage causing 1 dB compression	$V_o$		125		dB $\mu$ V	$f_{RF} = 447.25$ MHz to 863.25 MHz	
70.	Local oscillator FM caused by I <sup>2</sup> C communication	FM <sub>I2C</sub>			2.12	kHz	$f_{RF} = 863.25$ MHz <sup>3)</sup>	
71.	(N+5) - 1 MHz pulling	N+5 - 1 MHz	77	80		dB $\mu$ V	$f_{RFw} = 823.25$ MHz, $f_{OSC} = 862.15$ MHz, $f_{RFu} = 862.25$ MHz <sup>4)</sup>	
72.	Input impedance	$R_s$		35		$\Omega$	$f_{RF} = 447.25$ MHz	
73.	$Z_i = (R_s + j\omega L_s)$	$L_s$		8		nH	to 863.25 MHz <sup>5)</sup>	

#	Parameter <sup>1)</sup>	Symbol	Limit Values			Unit	Test Conditions	■
			min.	typ.	max.			
HIGH band mixer and SAW driver in L-Band application (see 4.3 on page 28)								
74.	RF frequency	$f_{RF}$	1452		1492	MHz	picture carrier <sup>2)</sup>	
75.	Voltage gain	$G_V$	29	32	35	dB	$f_{RF} = 1452 \text{ MHz to } 1492 \text{ MHz}$ <a href="#">see 5.6.2 on page 59</a>	
76.	Noise figure (not corrected for image)	NF		8	10	dB	$f_{RF} = 1452 \text{ MHz to } 1492 \text{ MHz}$ <a href="#">see 5.6.5 on page 61</a>	
LOW band oscillator								
77.	Oscillator frequency	$f_{OSC}$	80		210	MHz	<sup>6)</sup>	
78.	Phase noise, carrier to noise sideband	$\Phi_{OSC}$		-84	-77	dBc/ Hz	$\pm 1 \text{ kHz frequency offset, wide loop, worst case in the frequency range}$	
79.				-92	-88	dBc/ Hz	$\pm 10 \text{ kHz frequency offset, narrow loop, worst case in the frequency range}$	
80.				-112	-106	dBc/ Hz	$\pm 100 \text{ kHz frequency offset, worst case in the frequency range}$	
81.	Ripple susceptibility of $V_{CC}$	RSC		-22		dBc	$V_{Ripple} = 20 \text{ mVpp, } f_{Ripple} = 1 \text{ kHz}^{7)}$	
82.				-50		dBc	$V_{Ripple} = 20 \text{ mVpp, } f_{Ripple} = 100 \text{ kHz}^{7)}$	
MID band oscillator								
83.	Oscillator frequency	$f_{OSC}$	201		493	MHz	<sup>6)</sup>	

#	Parameter <sup>1)</sup>	Symbol	Limit Values			Unit	Test Conditions	■		
			min.	typ.	max.					
84.	Phase noise, carrier to noise sideband	$\Phi_{OSC}$		-82	-75	dBc/Hz	$\pm 1$ kHz frequency offset, wide loop, worst case in the frequency range			
85.				-92	-88			dBc/Hz	$\pm 10$ kHz frequency offset, narrow loop, worst case in the frequency range	
86.				-112	-106					dBc/Hz
87.	Ripple susceptibility of $V_{CC}$	RSC		-25		dBc	$V_{Ripple} = 20$ mVpp, $f_{Ripple} = 1$ kHz <sup>7)</sup>			
88.				-55				dBc	$V_{Ripple} = 20$ mVpp, $f_{Ripple} = 100$ kHz <sup>7)</sup>	

**HIGH band oscillator**

89.	Oscillator frequency	$f_{OSC}$	435		905	MHz	<sup>6)</sup>			
90.	Phase noise, carrier to noise sideband	$\Phi_{OSC}$		-80	-73	dBc/Hz	$\pm 1$ kHz frequency offset, wide loop, worst case in the frequency range			
91.				-90	-86			dBc/Hz	$\pm 10$ kHz frequency offset, narrow loop, worst case in the frequency range	
92.				-110	-106					dBc/Hz
93.	Ripple susceptibility of $V_{CC}$	RSC		-30		dBc	$V_{Ripple} = 20$ mVpp, $f_{Ripple} = 1$ kHz <sup>7)</sup>			
94.				-55				dBc	$V_{Ripple} = 20$ mVpp, $f_{Ripple} = 100$ kHz <sup>7)</sup>	

**HIGH band oscillator in L-Band application (see 4.3 on page 28)**

#	Parameter <sup>1)</sup>	Symbol	Limit Values			Unit	Test Conditions	■
			min.	typ.	max.			
95.	Oscillator frequency	$f_{OSC}$	1488		1528	MHz	<sup>6)</sup>	
96.	Phase noise, carrier to noise sideband			-85	-80	dBc/Hz	$\pm 10$ kHz frequency offset, narrow loop, $f_{RF} = 1452$ MHz to 1492 MHz	

**SAW driver**

97.	Voltage gain	$G_V$		20		dB	$f_{IF} = 36$ MHz to 54 MHz	
98.	Input impedance	$R_P$		450		$\Omega$	parallel equivalent circuit at 36 MHz <sup>5)</sup>	
99.	$Z_i = (R_p \parallel 1/j\omega C_p)$	$C_P$		5		pF		
100.	Output impedance	$R_S$		65		$\Omega$	series equivalent circuit at 36 MHz <sup>5)</sup>	
101.	$Z_o = (R_s + j\omega L_s)$	$L_S$		20		nH		

**Rejection at the SAW driver output**

102.	Level of divider interferences in the IF signal	$INT_{DIV}$		-66	-60	dBc	$V_{OUT} = 100$ dB $\mu$ V <sup>8)</sup>	
103.	Crystal oscillator interferences rejection	$INT_{XTAL}$		-66	-60	dBc	$V_{OUT} = 100$ dB $\mu$ V <sup>9)</sup>	
104.	Reference frequency rejection	$INT_{REF}$		-66	-60	dBc	$V_{OUT} = 100$ dB $\mu$ V <sup>10)</sup>	
105.	Channel S02 beat	$INT_{S02}$		-60	-57	dBc	$f_{RFpix} = 76.25$ MHz, $V_{RFpix} = 80$ dB $\mu$ V <sup>11)</sup>	

**RF AGC output**

106.	RF AGC take-over point wide band (RF input)	$AGC_{TOP}$ wide	87 77		99 89	dB $\mu$ V	LOW Band MID, HIGH Band	
107.	RF AGC take-over point narrow band (SAWOUT)	$AGC_{TOP}$ narrow	103		115	dB $\mu$ V		
108.	Source current 1	$I_{AGCfast}$		9.0		$\mu$ A		
109.	Source current 2	$I_{AGCslow}$		300		nA		
110.	Peak sink to ground	$I_{AGCpeak}$		100		$\mu$ A		

#	Parameter <sup>1)</sup>	Symbol	Limit Values			Unit	Test Conditions	■
			min.	typ.	max.			
111.	RF AGC leakage current	$AGC_{LEAK}$	-50		50	nA	$0 < V_{AGC} < V_{CC}$	
112.	RF AGC output voltage	$V_{AGCmax}$	$V_{CC} - 0.25$		$V_{CC}$	V	maximum level	
113.		$V_{AGCmin}$	0		0.25	V	minimum level	
114.	RF voltage range to switch the AGC from active to inactive mode	$AGC_{SLIP}$			0.5	dB		

**RF AGC buffer output**

115.	RF AGC buffer output current	$I_{max}$			2	mA		
116.	Saturation voltage low	$V_{Sat\_low}$		100		mV	$I_{load} = 1\text{mA}$	
117.				200		mV	$I_{load} = 2\text{mA}$	
118.	Saturation voltage high	$V_{Sat\_high}$		100		mV	$I_{load} = 1\text{mA}$	
119.				200		mV	$I_{load} = 2\text{mA}$	
120.	RF AGC Buffer output voltage	$AGC_{OFF}$		0		V	Power down	

**IF amplifier**

121.	Voltage gain	$G_{max}$		65		dB	$V_{IFAGC} \geq 2.5\text{V}$	
122.		$G_{min}$		9		dB	$V_{IFAGC} \leq 0.2\text{V}$	
123.	Maximum IF input level	$V_{IF/IF}$		102		dB $\mu$ V	min. gain, $f_{IF/IF} = 36\text{MHz}$ (sine), $V_{IFAGC} = 0.2\text{V}$ , $V_{OUT/O\overline{UT}} = 1\text{V}_{pp}$	
124.	Minimum IF input level	$V_{IF/IF}$		46			max. gain, $f_{IF/IF} = 36\text{MHz}$ (sine), $V_{IFAGC} = 2.5\text{V}$ , $V_{OUT/O\overline{UT}} = 1\text{V}_{pp}$	
125.	Input impedance	$R_{IF/IF}$		2		k $\Omega$	$f_{IF/IF} = 36\text{MHz}$ , parallel equivalent circuit <sup>5)</sup>	
126.		$C_{IF/IF}$		1.5		pF		

#	Parameter <sup>1)</sup>	Symbol	Limit Values			Unit	Test Conditions	■
			min.	typ.	max.			
127.	Low end cutoff frequency (-1 dB)	$f_L$			25	MHz	$V_{IF/IF} = 60 \text{ dB}\mu\text{V}$ , $R_{LOAD} \geq 5 \text{ k}\Omega$ , $C_{LOAD} \leq 1.5 \text{ pF}$ ,	
128.	High end cutoff frequency (-1 dB)	$f_H$	65			MHz	$V_{OUT/OUT} = 1 \text{ V}_{pp}$ at $f_{IF/IF} = 36 \text{ MHz}$ (sine)	
129.	Intermodulation V1, V0 = 00 (5.0mA) V1, V0 = 01 (3.6mA) V1, V0 = 10 (2.1mA)	C/IM3 C/IM3 C/IM3		-59 -58 -56	-50 -50 -50	dBc dBc dBc	$f_{IF/IF1} = 37 \text{ MHz}$ , $f_{IF/IF2} = 38 \text{ MHz}$ , $V_{IF/IF1} = 90 \text{ dB}\mu\text{V}$ , $V_{IF/IF2} = 90 \text{ dB}\mu\text{V}$ $R_{LOAD} = 1 \text{ k}\Omega$ , $C_{LOAD} = 10 \text{ pF}$ , $V_{OUT/OUT} = 1 \text{ V}_{pp}$	
130.	Intermodulation V1, V0 = 11 (1.1mA)	C/IM3		-56	-50	dBc	$f_{IF/IF1} = 37 \text{ MHz}$ , $f_{IF/IF2} = 38 \text{ MHz}$ , $V_{IF/IF1} = 90 \text{ dB}\mu\text{V}$ , $V_{IF/IF2} = 90 \text{ dB}\mu\text{V}$ $R_{LOAD} \geq 15 \text{ k}\Omega$ , $C_{LOAD} = 1.5 \text{ pF}$ , $V_{OUT/OUT} = 1 \text{ V}_{pp}$	
131.	Third order output intercept point V1, V0 = 00 (5.0mA)	OIP3		133		dB $\mu\text{V}$	$f_{IF/IF1} = 37 \text{ MHz}$ , $f_{IF/IF2} = 38 \text{ MHz}$ , $V_{IF/IF1} = 90 \text{ dB}\mu\text{V}$ , $V_{IF/IF2} = 90 \text{ dB}\mu\text{V}$ $R_{LOAD} = 1 \text{ k}\Omega$ , $C_{LOAD} = 10 \text{ pF}$ , $V_{OUT/OUT} = 1 \text{ V}_{pp}$	
132.	Signal to noise ratio	SNR		43		dB	$f_{IF/IF} = 36 \text{ MHz}$ (sine), $V_{IF/IF} = 60 \text{ dB}\mu\text{V}$ , $V_{OUT/OUT} = 1 \text{ V}_{pp}$ , BW = 8 MHz	
133.	Noise figure			10		dB	max. gain	
134.	Output impedance	$R_{IF/IF}$		90	150	$\Omega$	$f_{OUT/OUT} = 36 \text{ MHz}$ , series equivalent	
135.		$L_{IF/IF}$		120		nH	circuit <sup>5)</sup>	



- 1) Values are referred to [Figure 4.2 "Application circuit for hybrid application" on Page 27](#) and  $f_{IF} = 36$  MHz, unless stated otherwise.
- 2) The RF frequency range is defined by the oscillator frequency range and the intermediate frequency (IF).
- 3) Local oscillator FM modulation resulting from I<sup>2</sup>C communication is measured at the IF output using a modulation analyzer with a peak to peak detector  $((P_+ + P_-) / 2)$  and a post detection filter 20 Hz - 100 kHz. The I<sup>2</sup>C messages are sent to the tuner in such a way that the tuner is addressed but the content of the PLL registers are not altered. The refresh interval between each data set shall be 20 ms to 1 s.
- 4) (N+5) -1 MHz is defined as the input level of channel N+5, at frequency 1 MHz lower, causing 100 kHz FM sidebands 30 dB below the wanted carrier.
- 5) Impedance measured with differential 2-port measurement at input or output. Input and output pins directly connected to measurement equipment with 50  $\Omega$  strip lines.
- 6) Limits are related to the tank circuit used in the application board. Frequency bands may be adjusted by the choice of external components.
- 7) The supply ripple susceptibility is a sideband measurement using a spectrum analyzer connected to the IF output. An unmodulated RF signal with a level of 80 dB $\mu$ V is applied to the test board RF input. A sinewave signal with a defined frequency is superposed onto the supply voltage (see [Figure 16 "Ripple susceptibility measurement" on Page 62](#)). The specified value is the worst case in the frequency range.
- 8) This is the level of divider interferences close to the IF frequency. For example channel S3:  $f_{OSC} = 158.15$  MHz,  $1/4 f_{OSC} = 39.5375$  MHz. The rejection has to be greater than 60 dB for an SAW driver output of 100 dB $\mu$ V.
- 9) Crystal oscillator interference means the 4 MHz sidebands caused by the crystal oscillator. The rejection has to be greater than 60 dB for an SAW driver output of 100 dB $\mu$ V.
- 10) The reference frequency rejection is the level of reference frequency sidebands (e.g. 62.5 kHz) related to the carrier. The rejection has to be greater than 60 dB for an SAW driver output of 100dB $\mu$ V.
- 11) Channel S02 beat is the interfering product of  $f_{RFpix}$ ,  $f_{IF}$  and  $f_{OSC}$  of channel S02,  $f_{BEAT} = 37.35$  MHz. The possible mechanisms are  $f_{OSC} - 2 \times f_{IF}$  or  $2 \times f_{RFpix} - f_{OSC}$ .

## 5.2 Bus Interface

**Table 7 Pin Function**

Pin Designation	BUSMODE	SDA / Data	SCL / Clock	CAS / EN
Function	bus mode select	serial data	clock	I <sup>2</sup> C: chip address select, 3-W: enable
I <sup>2</sup> C mode	0	data in/out	clock in	four chip addresses <sup>1)</sup>
3-Wire mode	1 or open			0: chip is addressed

- 1) [see Table 8 Chip Address Organization in I2C Mode on page 42](#),  
[see Table 9 Address selection in I2C Mode on page 42](#)

**Table 8 Chip Address Organization in I<sup>2</sup>C Mode**

Name	Byte	MSB	bit6	bit5	bit4	bit3	bit2	bit1	LSB
Write Mode									
Address Byte	ADB	1	1	0	0	0	MA1	MA0	R/W=0
Read Mode									
Address Byte	ADB	1	1	0	0	0	MA1	MA0	R/W=1

**Table 9 Address selection in I<sup>2</sup>C Mode**

Voltage at pin CAS/EN	Chip Address (Hex)			
	MA1	MA0	Write Mode	Read Mode
(0 to 0.1) x V <sub>VCCD</sub>	0	0	C0	C1
open circuit or (0.2 to 0.3) x V <sub>VCCD</sub>	0	1	C2	C3
(0.4 to 0.6) x V <sub>VCCD</sub>	1	0	C4	C5
(0.9 to 1) x V <sub>VCCD</sub>	1	1	C6	C7

**Table 10 Sub Addresses of Write Data Registers**

Function	Hex	MSB	S6	S5	S4	S3	S2	S1	LSB
Main Divider (N)	00	0	0	0	0	0	0	0	0
Control bytes	01	0	0	0	0	0	0	0	1
Ref. Divider (R)	02	0	0	0	0	0	0	1	0
AGC control, IF signal processing control	03	0	0	0	0	0	0	1	1
DC-DC converter	04	0	0	0	0	0	1	0	0
not used	05	0	0	0	0	0	1	0	1
Mode bytes, stand by, test	06	0	0	0	0	0	1	1	0

**Table 11 Sub Addresses of Read Data Registers**

Function	Hex	MSB	S6	S5	S4	S3	S2	S1	LSB
Status	80	1	0	0	0	0	0	0	0
Chip Code	8E	1	0	0	0	1	1	1	0
Revision Code	8F	1	0	0	0	1	1	1	1

### 5.3 Bus Data Format

**Table 12 Bus Data Format**

I <sup>2</sup> C-bus Write Mode		I <sup>2</sup> C-bus Read Mode		3W-bus Write Mode		3W-bus Read Mode	
Bit	Function	Bit	Function	Bit	Function	Bit	Function
STA		STA					
1	MSB	1	MSB				
1	chip address (Write)	1	chip address (Write)				
0		0					
0		0					
0		0					
MA0		MA0					
MA1	MA1						
0	LSB	0	LSB				
ACK		ACK					
S7	MSB	S7	MSB	S7	MSB	S7	MSB
S6	sub address (Write) 00H...06H	S6	sub address (Read) 80H, 8EH, 8FH	S6	sub address (Write) 00H...06H	S6	sub address (Read) 80H 8EH, 8FH
S5		S5		S5		S5	
S4		S4		S4		S4	
S3		S3		S3		S3	
S2		S2		S2		S2	
S1	S1	S1	S1	S1	S1	S1	S1
S0	LSB	S0	LSB	S0	LSB	S0	LSB

I <sup>2</sup> C-bus Write Mode		I <sup>2</sup> C-bus Read Mode		3W-bus Write Mode		3W-bus Read Mode	
Bit	Function	Bit	Function	Bit	Function	Bit	Function
ACK		ACK					
		STA	restart				
DX	MSB	1	MSB	DX	MSB	DX	MSB
...	data in X...0 (X=7,15 or 23) <sup>1)</sup>	1	chip address (Read)	...	data in X...0 (X=7,15 or 23)	...	data out X...0 (X=7 or 15)
D5		0		D5		D5	
D4		0		D4		D4	
D3		0		D3		D3	
D2		MA0		D2		D2	
D1		MA1		D1		D1	
D0	LSB	1	LSB	D0	LSB	D0	LSB
ACK		ACK					
STO		DX	MSB				
<sup>1)</sup> after each byte an acknowledge is generated by TUA 6045.  <sup>2)</sup> after each byte an acknowledge is generated by the processor. TUA 6045 keeps data line high.		...	data out X...0 (X=7 or 15) <sup>2)</sup>				
		D5					
		D4					
		D3					
		D2					
		D1					
		D0		LSB			
		1					
	STO						

STA: Start condition, STO: Stop condition, ACK: Acknowledge from TUA 6045.

## 5.4 Bus Timing

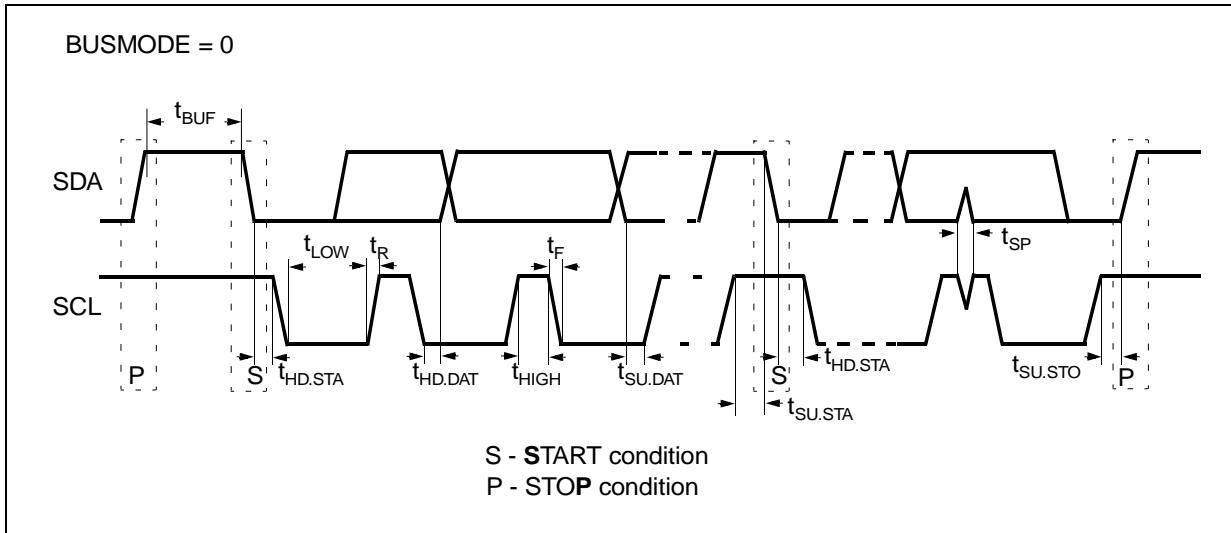


Figure 7 I<sup>2</sup>C Bus

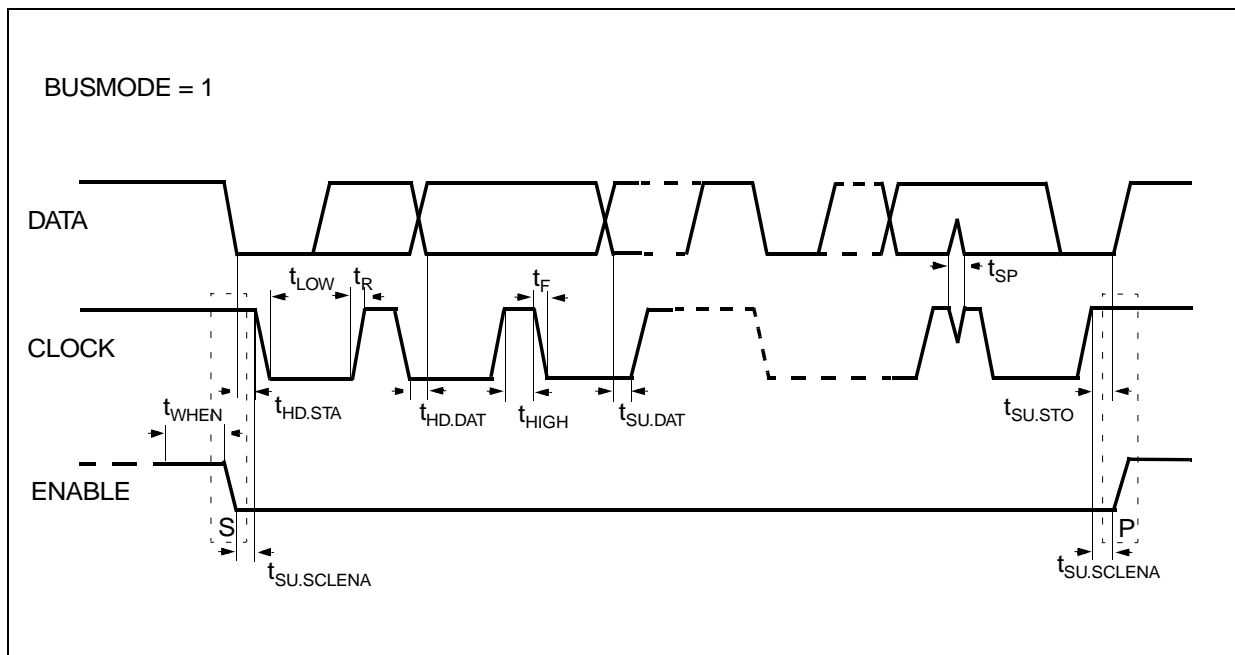


Figure 8 3-Wire Bus

**Table 13 Bus Timing**

#	Parameter	Symbol	Limit Values		Unit
			min.	max.	
1.	LOW level input voltage (SDA, SCL, CAS/EN, BUSMODE)	$V_{IL}$	-0.5	0.54	V
2.	HIGH level input voltage (SDA, SCL, CAS/EN, BUSMODE)	$V_{IH}$	1.26	5.5	V
3.	Hysteresis of Schmitt trigger inputs	$V_{Hys}$	0.15		V
4.	Pulse width of spikes which must be suppressed by the input filter	$t_{SP}$	0	50	ns
5.	LOW level output voltage (SDA), only I2C-bus at 3mA sink current at 6mA sink current	$V_{OL}$	0	0.4 0.6	V V
6.	Output fall time from $V_{IH\ min}$ to $V_{IL\ max}$ with a bus capacitance from 10pF to 400pF with up to 3mA sink current at $V_{OL}$	$t_{OF}$	$20+0.1C_b^{1)}$	250	ns
7.	SCL clock frequency	$f_{SCL}$	0	400	kHz
8.	Bus free time between a STOP and START condition <sup>2)</sup>	$t_{BUF}$	1.3	-	$\mu$ s
9.	Hold time (repeated) START/ENABLE ON condition. After this period, the first clock pulse is generated.	$t_{HD.STA}$	0.6	-	$\mu$ s
10.	LOW period of the SCL clock pulse	$t_{LOW}$	1.3	-	$\mu$ s
11.	HIGH period of the SCL clock pulse	$t_{HIGH}$	0.6	-	$\mu$ s
12.	Set-up time for a repeated START condition 2)	$t_{SU.STA}$	0.6	-	$\mu$ s
13.	Data hold time	$t_{HD.DAT}$	0	-	ns
14.	Data set-up time	$t_{SU.DAT}$	100	-	ns
15.	Rise time, fall time of SDA and SCL signals	$t_R, t_F$	$20+0.1C_b^{1)}$	300	ns
16.	Set-up time for STOP/ENABLE OFF condition	$t_{SU.STO}$	0.6	-	$\mu$ s

#	Parameter	Symbol	Limit Values		Unit
			min.	max.	
17.	Setup time CAS/EN to SDA <sup>3)</sup>	$t_{SU.ENASD}$ A	0.6	-	$\mu$ s
18.	Setup time SCL to CAS/EN	$t_{SU.SCLEN}$ A	0.6	-	$\mu$ s
19.	H-pulse width (CAS/EN) for new data protocol <sup>3)</sup>	$t_{WHEN}$	0.6	-	$\mu$ s
20.	Capacitive load for each bus line	$C_b$	--	400	pF

1)  $C_b$  = capacitance of one bus line in pF.

Note that the maximum  $t_F$  for the SDA and SCL bus lines quoted in table above (300ns) is longer than the specified maximum  $t_{OF}$  for the output stages (250ns). This allows series protection resistors to be connected between the SDA/SCL pins and the SDA/SCL bus lines without exceeding the maximum specified  $t_F$ .

2) only for I<sup>2</sup>C bus mode.

3) only for 3-Wire bus mode.

## 5.5 Data Byte Specification, Function and Defaults

### 5.5.1 Write Data Registers

Table 14 Subaddress 00H, Main Divider

Bit	Symbol	Bits	V	Function	Description	Defaults
15	N15		$2^{15}$		Synthesizer N-counter programmable divider bits:  $N = 2^{15} \times N15$ $+ \dots + N0$  $N = 240 \dots 65535$	0
14	N14		$2^{14}$			0
13	N13		$2^{13}$			0
12	N12		$2^{12}$			1
11	N11		$2^{11}$			1
10	N10		$2^{10}$			1
9	N9		$2^9$			1
8	N8		$2^8$			0
7	N7		$2^7$			1
6	N6		$2^6$			1
5	N5		$2^5$			1
4	N4		$2^4$			0
3	N3		$2^3$			0
2	N2		$2^2$			0
1	N1		$2^1$			1
0	N0		$2^0$			0

Default  
divider  
ratio  
  
 $N = 7906^{1)}$

1) Default:  $f_{RF} = 458\text{MHz}$  with  $f_{ref} = 62.5\text{kHz}$ ,  $f_{IF} = 36.125\text{MHz}$ .



**Table 15 Subaddress 01H, Control Bytes**

Bit	Symbol	Bits		V	Function	Description	Defaults	
15					not used	not used	0	
		P2_4 ... P2_0			analog output			
14	P2_4	00000		0V	to 0V		1	
13	P2_3	11011		2.7 V	to 2.7V		1	
12	P2_2	111X1			on (Vcc)	standard port function	1	
11	P2_1	11110			off (50k to GND)	standard port function	1	
10	P2_0	11100			off (switch to GND)		1	
9	P1	0			Portswitch	Port 1 current off	0	
		1				Port 1 current on		
8	P0	0			Portswitch	Port 0 current off	0	
		1				Port 0 current on		
7	BS1	BS1	BS0		Band switch selection		BS1	BS0
						0		
		0	1					
		6	BS0			1	0	Osc. 2 + Mix 2 on
1	1			Osc. 3 + Mix 2 on	MID, HIGH Osc. /3			
5	CP3				Synth. charge-pump current CP=CP0+CP1+C P2+CP3	600 $\mu$ A	0	
4	CP2					300 $\mu$ A	0	
3	CP1					150 $\mu$ A	1	
2	CP0					75 $\mu$ A	0	
1	ABL1	ABL	ABL		Anti-Backlash pulse width of phase detector PD	Pulse width	ABL	ABL
						1		
		0	0					2.2 ns
0	ABL0	1	0			3.2 ns	0	1
				1	1			4.4 ns
						5.6 ns		

**Table 16 Subaddress 02H, Reference Divider R and Crystal Oscillator Control**

Bit	Symbol	Bits		V	Function	Description	Defaults	
15					not used	not used	0	
14	RFAGC B_OFF				RF AGC buffer off	disable RF AGC buffer	0	
13	XTAL3	XTA L3	XTA L2		XTAL I/O control		XTA L3	XTA L2
		0	0			output off, input on		
		0	1			output 200 mVpp		
		1	0			output 400 mVpp		
12	XTAL2	1	0			output 800 mVpp	1	1
		1	1					
11	XTAL1	XTA L1	XTA L0		XTAL I/O control output mode XTAL3 OR XTAL2 =1		XTA L1	XTA L0
		0	0			Fout/1	0	0
		0	1			Fout/2		
		1	0			Fout/4		
		1	1			Fout/8		
10	XTAL0	XTA L1	XTA L0		XTAL I/O control input mode XTAL3=0 XTAL2=0		XTA L1	XTA L0
		0	0			XTAL_IN	0	0
		0	1			XTAL_IN		
		1	0			XTAL_Buff		
		1	1			XTAL_Buff+Amp		

Bit	Symbol	Bits	V	Function	Description	Defaults	
9	R9		$2^9$	Synthesizer R-counter	Synthesizer R-counter programmable divider bits:  $R = 2^9 \times R9$ $+ \dots + R0$  $R = 2 \dots 1023$	0	Default div. ratio  R=64
8	R8		$2^8$			0	
7	R7		$2^7$			0	
6	R6		$2^6$			1	
5	R5		$2^5$			0	
4	R4		$2^4$			0	
3	R3		$2^3$			0	
2	R2		$2^2$			0	
1	R1		$2^1$			0	
0	R0		$2^0$			0	

**Table 17 Subaddress 03H, AGC control and IF Signal Processing Control**

Bit	Symbol	Bits			V	Function	Description	Defaults		
15	SW	0				IF Switch	normal mode	0		
		1					bypass mixer output tank			
14	LP	0				Loop thru control	normal mode	0		
		1					bypass SAW driver stage			
13	V1	V1	V0		VGA output power control	quiescent current of emitter follower per side	V1	V0		
12	V0	0	0			5.0 mA				
		0	1			3.6 mA				
		1	0			2.1 mA				
		1	1			1.1 mA	1	1		
11	S1	S1	S0		SAW driver power control	quiescent current for SAW driver stage per side	S1	S0		
10	S0	0	0			9.7 mA				
		0	1			6.7 mA				
		1	0			4.7 mA				
		1	1			2.1 mA	1	1		
9	ATC	0				RF-AGC time constant bit	0.3 $\mu$ A	0		
		1					9.0 $\mu$ A			
8	PU	0				RF-AGC time standby mode if RF-AGC in standby (Bit6 in register 06H is set)	tristate	0		
		1					200 k $\Omega$ pull-up			
7	AL2	AL2	AL1	AL0		NB-AGC control	NB-AGC take over point	AL2	AL1	AL0
6	AL1	0	0	0			don't use			

Bit	Symbol	Bits			V	Function	Description	Defaults		
5	AL0	0	0	1			115 dB $\mu$ V	0	1	0
		0	1	0			112 dB $\mu$ V (default)			
		0	1	1			don't use			
		1	0	0			109 dB $\mu$ V			
		1	0	1			106 dB $\mu$ V			
		1	1	0			103 dB $\mu$ V			
		1	1	1			don't use			
4	NBE	0				Disable NB-AGC detector	Narrowband level detector active	0		
		1					Narrowband level detector does not affect AGC			
3	WBE	0				Disable WB-AGC detector	Wideband level detector active	0		
		1					Wideband level detector does not affect AGC			
2	WB2	WB 2	WB 1	WB 0		WB-AGC control	LOW/MID/HIGH take over point	WB 2	WB 1	WB 0
1	WB1	0	0	0			87 / 77 / 77 dB $\mu$ V			
0	WB0	0	0	1			90 / 80 / 80 dB $\mu$ V			
		0	1	0			93 / 83 / 83 dB $\mu$ V	0	1	0
		0	1	1			96 / 86 / 86 dB $\mu$ V			
		1	0	0			99 / 89 / 89 dB $\mu$ V			
		1	0	1			don't use			
		1	1	0	don't use					
		1	1	1	don't use					

**Table 18 Subaddress 04H, DC-DC Converter**

Bit	Symbol	Bits	V	Function	Description	Defaults
15		1		Output HIGH	High current or tristate Output high time: High count register $DCh = \sum(DCh_i * 2^i); 2^i = 1 \text{ to } 127$ $t_{High} = DCh / f_{Crystal}$	0
14	DCh_6		$2^6$			0
13	DCh_5		$2^5$			0
12	DCh_4		$2^4$			0
11	DCh_3		$2^3$			0
10	DCh_2		$2^2$			1
9	DCh_1		$2^1$			0
8	DCh_0		$2^0$			0
7		1		Output LOW	If bit15 = 0, load count registers; Output low time: Low count register $DCh = \sum(DCI_i * 2^i); 2^i = 1 \text{ to } 127$ $t_{Low} = DCI / f_{Crystal}$	0
6	DCI_6		$2^6$			0
5	DCI_5		$2^5$			0
4	DCI_4		$2^4$			1
3	DCI_3		$2^3$			0
2	DCI_2		$2^2$			0
1	DCI_1		$2^1$			0
0	DCI_0		$2^0$			0

Default  $f_{DCDC} = 4 \text{ MHz} / (4 + 16) = 200 \text{ kHz}$ , 20% duty cycle

**Table 19 Subaddress 06H, Mode Bytes, Test Mode and Standby Control**

Bit	Symbol	Bits	V	Function	Description	Defaults
15	CPT	0		Charge pump test mode control	CP is in normal mode (=bipolar)	0
		1			CP current sink or source (=monopolar)	
14	CPP	0			CP = sinking current if CPT=1	0
		1			CP = sourcing current if CPT=1	
13	PT	0		Ports test mode control	Ports in normal mode (=bits P0, P1 to ports)	0
		1			Ports in test mode (=RFAGC Detector or $f_{PD/2}$ )	
12	PTSEL	0		Ports test output select	RFAGC_WB, RFAGC_NB to P0, P1 if PT=1	0
		1			$f_{PD/2}$ to P0, P1 if PT=1 <sup>1)</sup>	
11				not used	not used	
10				not used	not used	
9	STBY9	1		Standby for:	Integrator	1
8	STBY8	1		Standby for:	IFAGC	1
7	STBY7	1		Standby for:	SAW driver	1
6	STBY6	1		Standby for:	Mixer + RFAGC	1
5	STBY5	1		Standby for:	Ports	1
4	STBY4	1		Standby for:	PLL (and Rfosc/3)	1
3	STBY3	1		Standby for:	RF oscillator	1
2	STBY2	1		Standby for:	DCDC converter	1

Bit	Symbol	Bits	V	Function	Description	Defaults
1	STBY1	1		Standby for:	Crystal oscillator	0
0	STBY0	1		Standby for:	BIAS (disables all except bus)	0

- 1) P0, P1 are outputs for  $f_{ref}$ ,  $f_{div}$ .  
P0 is output for  $f_{ref}$  divided by 2. P1 is output for  $f_{div}$  divided by 2.

## 5.5.2 Read Data Registers

**Table 20 Subaddress 80H, Status**

Bit	Symbol	Bits	V	Function	Description
7	POF			Power-on flag	=1 after power-on. Reset after first read of register
6	LF			Lock-in flag	=1 if lock-in
5				not used	
4	RFAGC			RFAGC flag	=1 if RFAGC is active (< 3V)
3	RFAGC_NB			NB detector flag	=1 if NB detector is above threshold =0 if NB detector is below threshold
2	RFAGC_WB			WB detector flag	=1 if WB detector is above threshold =0 if WB detector is below threshold
1	P1			Port P1 input	=1 if P1 is high
0	P0			Port P0 input	=1 if P0 is high



**Table 21 Subaddress 8EH, Chip Code "6045"**

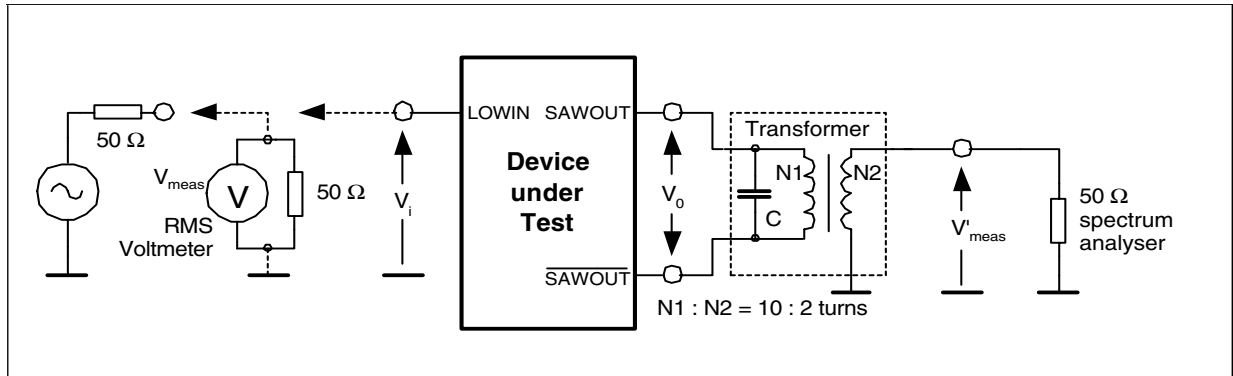
Bit	Symbol	Bits	V	Function	Description	Defaults
15	CC15		$2^{15}$	Chip Code (binary coded)	$CC = 2^{15} \times CC15 +$ $2^{14} \times CC14$ $+ \dots +$ $2^1 \times CC1 + 2^0 \times$ $CC0$	0
14	CC14		$2^{14}$			0
13	CC13		$2^{13}$			0
12	CC12		$2^{12}$			1
11	CC11		$2^{11}$			0
10	CC10		$2^{10}$			1
9	CC9		$2^9$			1
8	CC8		$2^8$			1
7	CC7		$2^7$			1
6	CC6		$2^6$			0
5	CC5		$2^5$			0
4	CC4		$2^4$			1
3	CC3		$2^3$			1
2	CC2		$2^2$			1
1	CC1		$2^1$			0
0	CC0		$2^0$			1

**Table 22** Subaddress 8FH, Revision Code, advanced with design steps

Bit	Symbol	Bits	V	Function	Description	Defaults
15	RC15			Revision Code (ASCII coded)	first digit	depends on design step
14	RC14					
13	RC13					
12	RC12					
11	RC11					
10	RC10					
9	RC9					
8	RC8				second digit	
7	RC7					
6	RC6					
5	RC5					
4	RC4					
3	RC3					
2	RC2					
1	RC1					
0	RC0					

## 5.6 Measurement Circuits

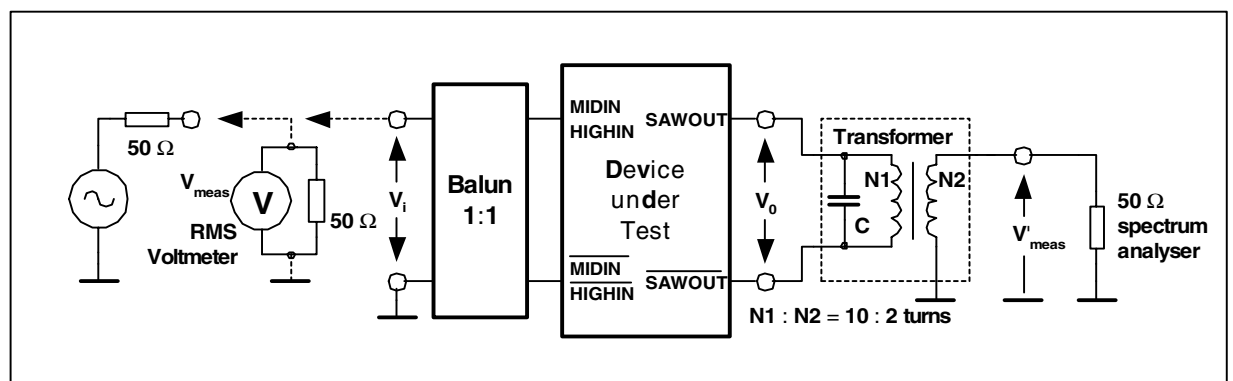
### 5.6.1 Gain ( $G_V$ ) measurement in LOW band



**Figure 9 Gain ( $G_V$ ) measurement in LOW band**

- $Z_i \gg 50 \Omega \Rightarrow V_i = 2 \times V_{\text{meas}} = 80 \text{ dB}\mu\text{V}$
- $V_i = V_{\text{meas}} + 6\text{dB} = 80 \text{ dB}\mu\text{V}$
- $V_0 = V'_{\text{meas}} + 17 \text{ dB}$  (transformer ratio  $N1:N2$  and transformer loss)
- $G_V = 20 \log(V_0 / V_i)$

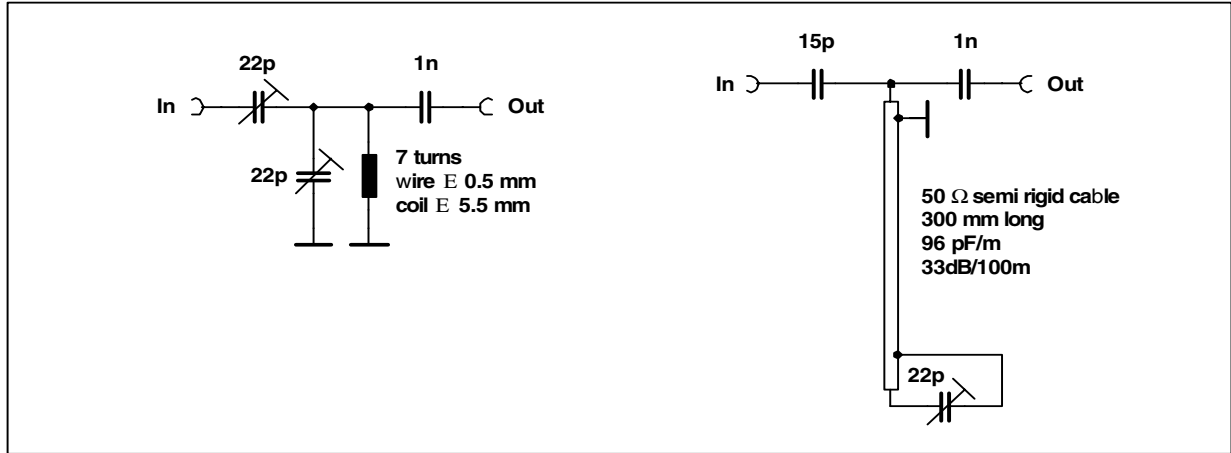
### 5.6.2 Gain ( $G_V$ ) measurement in MID and HIGH bands



**Figure 10 Gain ( $G_V$ ) measurement in MID and HIGH bands**

- $V_i = V_{\text{meas}} = 70 \text{ dB}\mu\text{V}$
- $V_0 = V'_{\text{meas}} + 17 \text{ dB}$  (transformer ratio  $N1:N2$  and transformer loss)
- $G_V = 20 \log(V_0 / V_i) + 1 \text{ dB}$  (1 dB = insertion loss of balun)

### 5.6.3 Matching circuit for optimum noise figure in LOW band



For  $f_{RF} = 50$  MHz

loss = 0 dB

image suppression = 16 dB

For  $f_{RF} = 150$  MHz

loss = 1.3 dB

image suppression = 13 dB

Figure 11 Matching circuit for optimum noise figure in LOW band

### 5.6.4 Noise figure (NF) measurement in LOW band

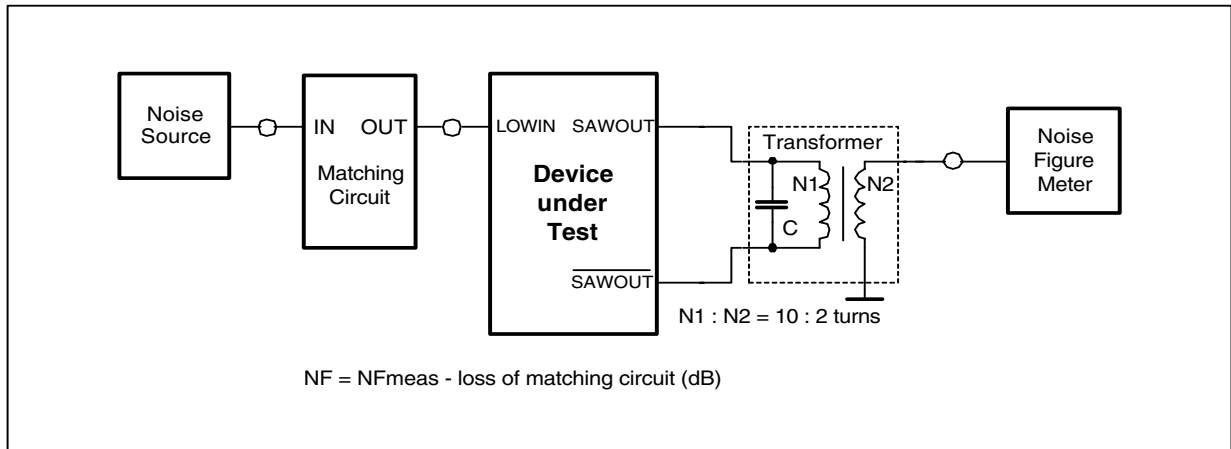


Figure 12 Noise figure (NF) measurement in LOW band

### 5.6.5 Noise figure (NF) measurement in MID and HIGH bands

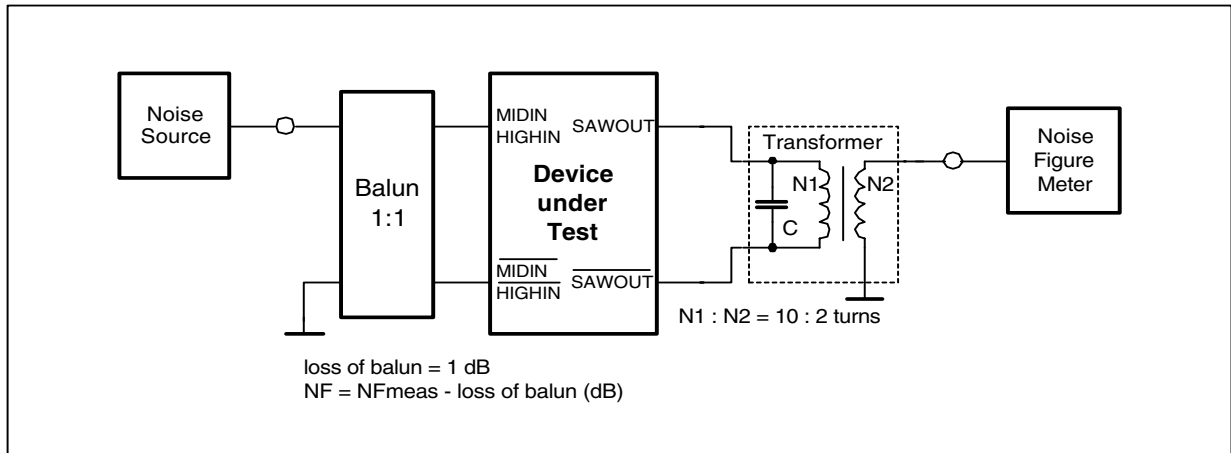


Figure 13 Noise figure (NF) measurement in MID and HIGH bands

### 5.6.6 Cross modulation measurement in LOW band

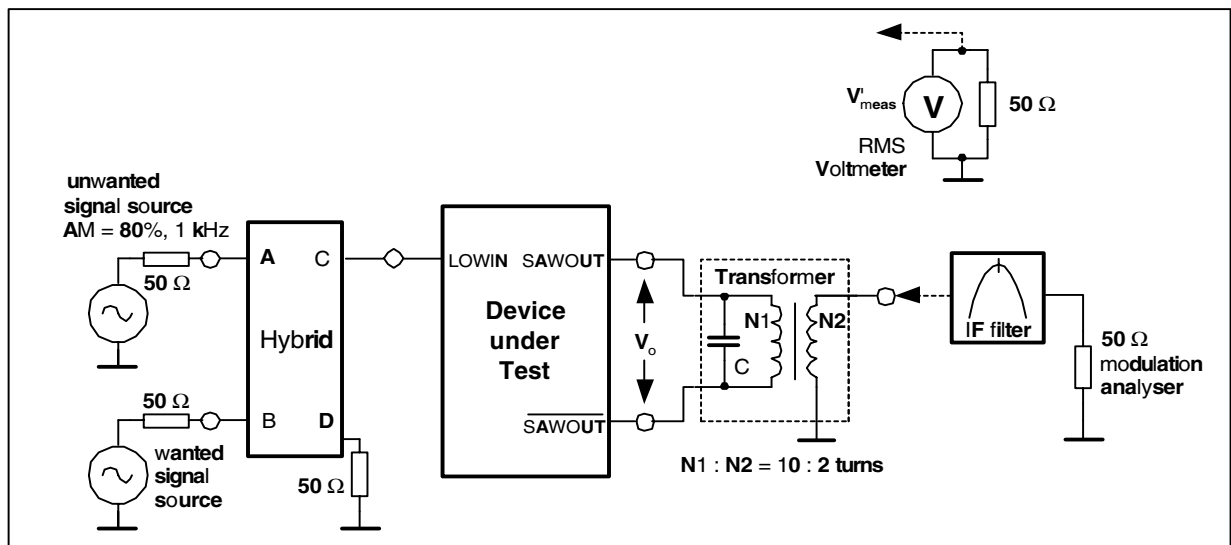
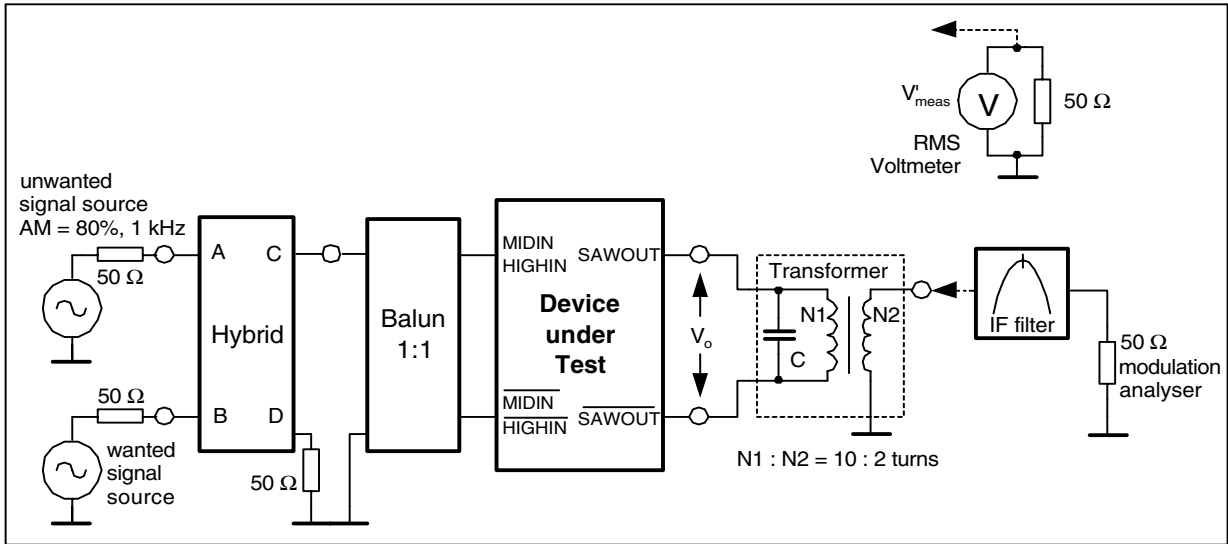


Figure 14 Cross modulation measurement in LOW band

- $V'_{meas} = V_o - 17 \text{ dB}$  (transformer ratio  $N1:N2$  and transformer loss)
- wanted output signal at  $f_{pix}$ ,  $V_o = 100 \text{ dB}\mu\text{V}$
- unwanted output signal at  $f_{snd}$

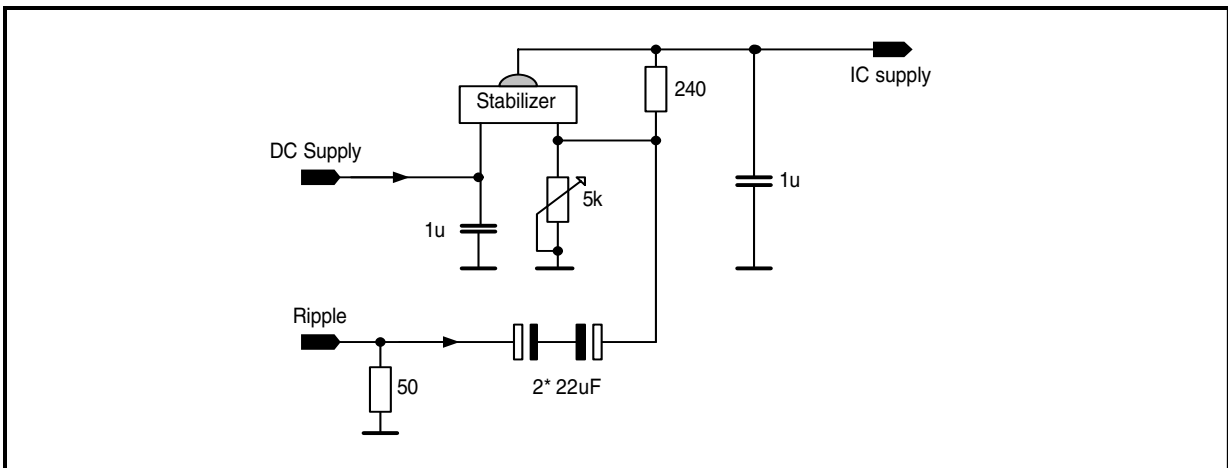
### 5.6.7 Cross modulation measurement in MID and HIGH bands



**Figure 15** Cross modulation measurement in MID and HIGH bands

- $V'_{meas} = V_0 - 17 \text{ dB}$  (transformer ratio  $N1:N2$  and transformer loss)
- wanted output signal at  $f_{pix}$ ,  $V_0 = 100 \text{ dB}\mu\text{V}$
- unwanted output signal at  $f_{snd}$

### 5.6.8 Ripple susceptibility measurement



**Figure 16** Ripple susceptibility measurement

## 6 Package PG-VQFN-48

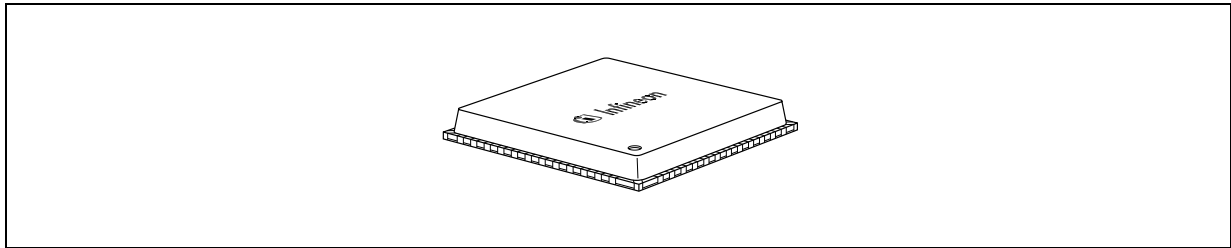


Figure 17 PG-VQFN-48 Vignette

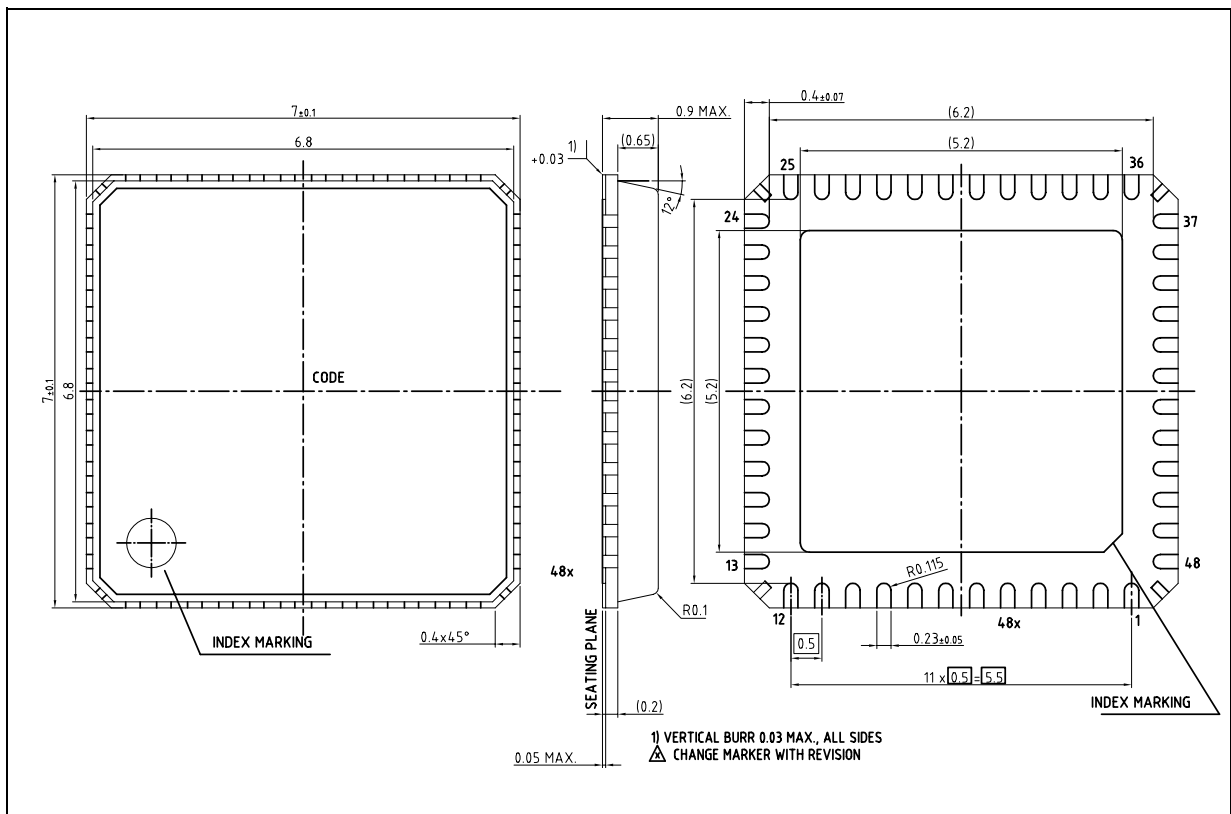


Figure 18 PG-VQFN-48 Outline Drawing

You can find all of our packages, sorts of packing and others in our Infineon Internet Page "Products": <http://www.infineon.com/products>.

SMD = Surface Mounted Device

Dimensions in mm

w w w . i n f i n e o n . c o m

Published by Infineon Technologies AG