

TP3054-X, TP3057-X

Extended Temperature Serial Interface CODEC/Filter COMBO® Family

General Description

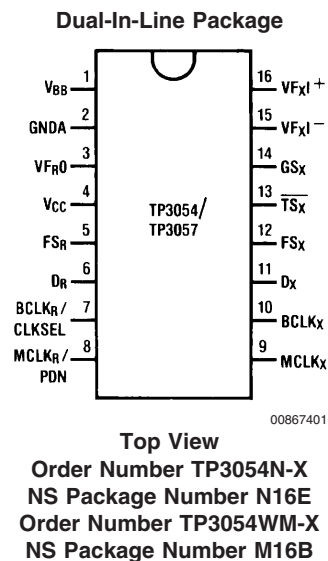
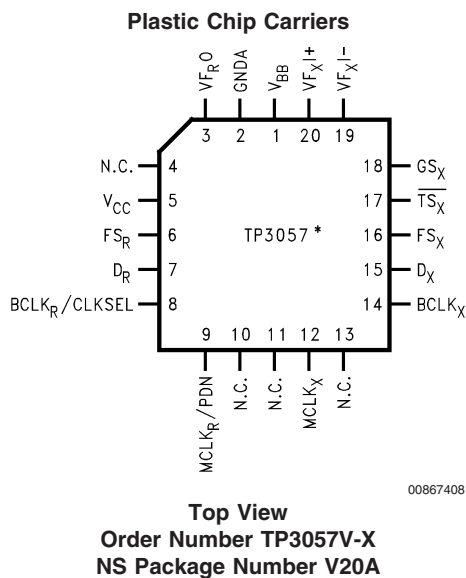
The TP3054, TP3057 family consists of μ -law and A-law monolithic PCM CODEC/filters utilizing the A/D and D/A conversion architecture shown in *Figure 1*, and a serial PCM interface. The devices are fabricated using National's advanced double-poly CMOS process (microCMOS).

The encode portion of each device consists of an input gain adjust amplifier, an active RC pre-filter which eliminates very high frequency noise prior to entering a switched-capacitor band-pass filter that rejects signals below 200 Hz and above 3400 Hz. Also included are auto-zero circuitry and a companding coder which samples the filtered signal and encodes it in the companded μ -law or A-law PCM format. The decode portion of each device consists of an expanding decoder, which reconstructs the analog signal from the companded μ -law or A-law code, a low-pass filter which corrects for the sin x/x response of the decoder output and rejects signals above 3400 Hz followed by a single-ended power amplifier capable of driving low impedance loads. The devices require two 1.536 MHz, 1.544 MHz or 2.048 MHz transmit and receive master clocks, which may be asynchronous; transmit and receive bit clocks, which may vary from 64 kHz to 2.048 MHz; and transmit and receive frame sync pulses. The timing of the frame sync pulses and PCM data is compatible with both industry standard formats.

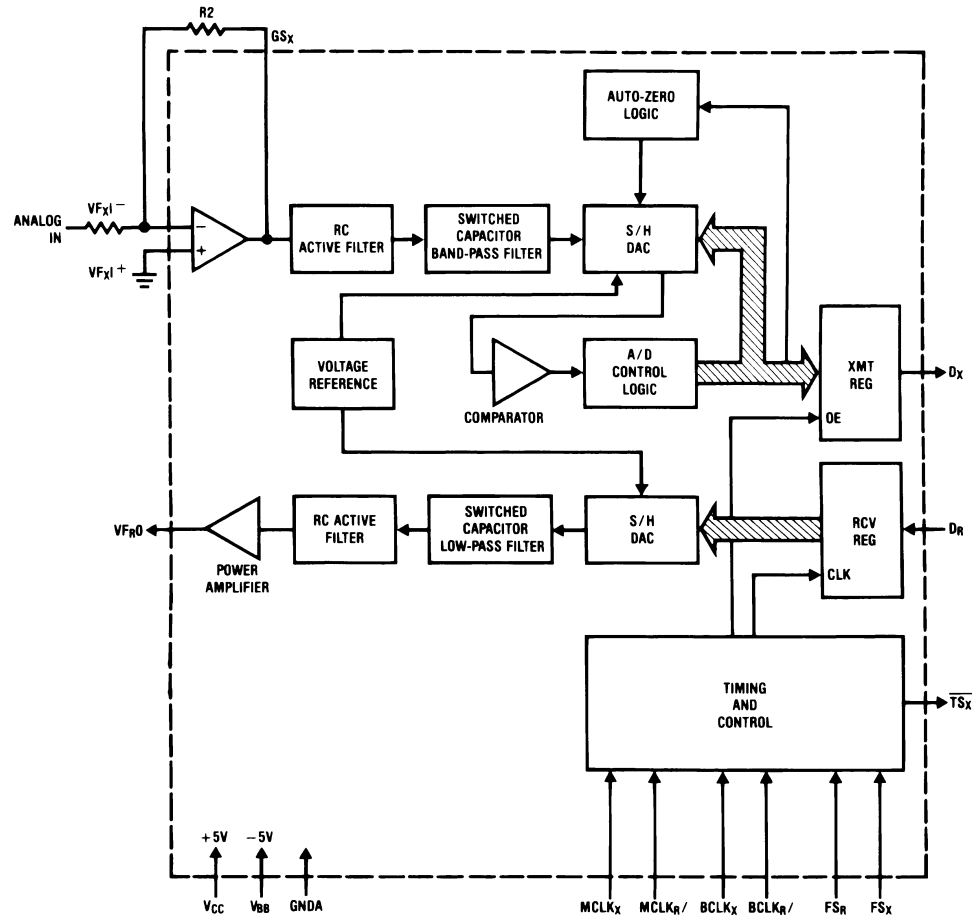
Features

- -40°C to $+85^{\circ}\text{C}$ operation
- Complete CODEC and filtering system (COMBO) including:
 - Transmit high-pass and low-pass filtering
 - Receive low-pass filter with sin x/x correction
 - Active RC noise filters
 - μ -law or A-law compatible COder and DECOder
 - Internal precision voltage reference
 - Serial I/O interface
 - Internal auto-zero circuitry
- μ -law, 16-pin—TP3054
- A-law, 16-pin—TP3057
- Designed for D3/D4 and CCITT applications
- $\pm 5\text{V}$ operation
- Low operating power—typically 50 mW
- Power-down standby mode—typically 3 mW
- Automatic power-down
- TTL or CMOS compatible digital interfaces
- Maximizes line interface card circuit density
- Dual-In-Line or PCC surface mount packages
- See also AN-370, "Techniques for Designing with CODEC/Filter COMBO Circuits"

Connection Diagrams



Block Diagram



00867402

FIGURE 1.

Pin Descriptions

Symbol	Function
V_{BB}	Negative power supply pin. $V_{BB} = -5V \pm 5\%$.
GNDa	Analog ground. All signals are referenced to this pin.
V_{FR0}	Analog output of the receive power amplifier.
V_{CC}	Positive power supply pin. $V_{CC} = +5V \pm 5\%$.
FS_R	Receive frame sync pulse which enables $BCLK_R$ to shift PCM data into D_R . FS_R is an 8 kHz pulse train. See <i>Figure 2</i> and <i>Figure 3</i> for timing details.
D_R	Receive data input. PCM data is shifted into D_R following the FS_R leading edge.

Symbol	Function
$BCLK_R/CLKSEL$	The bit clock which shifts data into D_R after the FS_R leading edge. May vary from 64 kHz to 2.048 MHz. Alternatively, may be a logic input which selects either 1.536 MHz/1.544 MHz or 2.048 MHz for master clock in synchronous mode and $BCLK_X$ is used for both transmit and receive directions (see <i>Table 1</i>).
$MCLK_R/PDN$	Receive master clock. Must be 1.536 MHz, 1.544 MHz or 2.048 MHz. May be asynchronous with $MCLK_X$, but should be synchronous with $MCLK_X$ for best performance. When $MCLK_R$ is connected continuously low, $MCLK_X$ is selected for all internal timing. When $MCLK_R$ is connected continuously high, the device is powered down.

Pin Descriptions (Continued)

Symbol	Function
MCLK _X	Transmit master clock. Must be 1.536 MHz, 1.544 MHz or 2.048 MHz. May be asynchronous with MCLK _R . Best performance is realized from synchronous operation.
FS _X	Transmit frame sync pulse input which enables BCLK _X to shift out the PCM data on D _X . FS _X is an 8 kHz pulse train, see <i>Figure 2</i> and <i>Figure 3</i> for timing details.
BCLK _X	The bit clock which shifts out the PCM data on D _X . May vary from 64 kHz to 2.048 MHz, but must be synchronous with MCLK _X .
D _X	The TRI-STATE [®] PCM data output which is enabled by FS _X .
\overline{TS}_X	Open drain output which pulses low during the encoder time slot.
GS _X	Analog output of the transmit input amplifier. Used to externally set gain.
VF _X I ⁻	Inverting input of the transmit input amplifier.
VF _X I ⁺	Non-inverting input of the transmit input amplifier.

Functional Description

POWER-UP

When power is first applied, power-on reset circuitry initializes the COMBO and places it into a power-down state. All non-essential circuits are deactivated and the D_X and VF_RO outputs are put in high impedance states. To power-up the device, a logical low level or clock must be applied to the MCLK_R/PDN pin and FS_X and/or FS_R pulses must be present. Thus, 2 power-down control modes are available. The first is to pull the MCLK_R/PDN pin high; the alternative is to hold both FS_X and FS_R inputs continuously low—the device will power-down approximately 1 ms after the last FS_X or FS_R pulse. Power-up will occur on the first FS_X or FS_R pulse. The TRI-STATE PCM data output, D_X, will remain in the high impedance state until the second FS_X pulse.

SYNCHRONOUS OPERATION

For synchronous operation, the same master clock and bit clock should be used for both the transmit and receive directions. In this mode, a clock must be applied to MCLK_X and the MCLK_R/PDN pin can be used as a power-down control. A low level on MCLK_R/PDN powers up the device and a high level powers down the device. In either case, MCLK_X will be selected as the master clock for both the transmit and receive circuits. A bit clock must also be applied to BCLK_X and the BCLK_R/CLKSEL can be used to select the proper internal divider for a master clock of 1.536 MHz, 1.544 MHz or 2.048 MHz. For 1.544 MHz operation, the device automatically compensates for the 193rd clock pulse each frame.

With a fixed level on the BCLK_R/CLKSEL pin, BCLK_X will be selected as the bit clock for both the transmit and receive directions. *Table 1* indicates the frequencies of operation which can be selected, depending on the state of BCLK_R/CLKSEL. In this synchronous mode, the bit clock, BCLK_X, may be from 64 kHz to 2.048 MHz, but must be synchronous with MCLK_X.

Each FS_X pulse begins the encoding cycle and the PCM data from the previous encode cycle is shifted out of the enabled D_X output on the positive edge of BCLK_X. After 8 bit clock periods, the TRI-STATE D_X output is returned to a high impedance state. With an FS_R pulse, PCM data is latched via the D_R input on the negative edge of BCLK_X (or BCLK_R if running). FS_X and FS_R must be synchronous with MCLK_{X/R}.

TABLE 1. Selection of Master Clock Frequencies

BCLK _R /CLKSEL	Master Clock Frequency Selected	
	TP3057	TP3054
Clocked	2.048 MHz	1.536 MHz or 1.544 MHz
0	1.536 MHz or 1.544 MHz	2.048 MHz
1	2.048 MHz	1.536 MHz or 1.544 MHz

ASYNCHRONOUS OPERATION

For asynchronous operation, separate transmit and receive clocks may be applied. MCLK_X and MCLK_R must be 2.048 MHz for the TP3057, or 1.536 MHz, 1.544 MHz for the TP3054, and need not be synchronous. For best transmission performance, however, MCLK_R should be synchronous with MCLK_X, which is easily achieved by applying only static logic levels to the MCLK_R/PDN pin. This will automatically connect MCLK_X to all internal MCLK_R functions (see Pin Description). For 1.544 MHz operation, the device automatically compensates for the 193rd clock pulse each frame. FS_X starts each encoding cycle and must be synchronous with MCLK_X and BCLK_X. FS_R starts each decoding cycle and must be synchronous with BCLK_R. BCLK_R must be a clock, the logic levels shown in *Table 1* are not valid in asynchronous mode. BCLK_X and BCLK_R may operate from 64 kHz to 2.048 MHz.

SHORT FRAME SYNC OPERATION

The COMBO can utilize either a short frame sync pulse or a long frame sync pulse. Upon power initialization, the device assumes a short frame mode. In this mode, both frame sync pulses, FS_X and FS_R, must be one bit clock period long, with timing relationships specified in *Figure 2*. With FS_X high during a falling edge of BCLK_X, the next rising edge of BCLK_X enables the D_X TRI-STATE output buffer, which will output the sign bit. The following seven rising edges clock out the remaining seven bits, and the next falling edge disables the D_X output. With FS_R high during a falling edge of BCLK_R (BCLK_X in synchronous mode), the next falling edge of BCLK_R latches in the sign bit. The following seven falling edges latch in the seven remaining bits. All four devices may utilize the short frame sync pulse in synchronous or asynchronous operating mode.

Functional Description (Continued)

LONG FRAME SYNC OPERATION

To use the long frame mode, both the frame sync pulses, FS_X and FS_R , must be three or more bit clock periods long, with timing relationships specified in *Figure 3*. Based on the transmit frame sync, FS_X , the COMBO will sense whether short or long frame sync pulses are being used. For 64 kHz operation, the frame sync pulse must be kept low for a minimum of 160 ns. The D_X TRI-STATE output buffer is enabled with the rising edge of FS_X or the rising edge of $BCLK_X$, whichever comes later, and the first bit clocked out is the sign bit. The following seven $BCLK_X$ rising edges clock out the remaining seven bits. The D_X output is disabled by the falling $BCLK_X$ edge following the eighth rising edge, or by FS_X going low, whichever comes later. A rising edge on the receive frame sync pulse, FS_R , will cause the PCM data at D_R to be latched in on the next eight falling edges of $BCLK_R$ ($BCLK_X$ in synchronous mode). All four devices may utilize the long frame sync pulse in synchronous or asynchronous mode.

In applications where the LSB bit is used for signalling, with FS_R two bit clock periods long, the decoder will interpret the lost LSB as "1/2" to minimize noise and distortion.

TRANSMIT SECTION

The transmit section input is an operational amplifier with provision for gain adjustment using two external resistors, see *Figure 4*. The low noise and wide bandwidth allow gains in excess of 20 dB across the audio passband to be realized. The op amp drives a unity-gain filter consisting of RC active

pre-filter, followed by an eighth order switched-capacitor bandpass filter clocked at 256 kHz. The output of this filter directly drives the encoder sample-and-hold circuit. The A/D is of companding type according to μ -law (TP3054) or A-law (TP3057) coding conventions. A precision voltage reference is trimmed in manufacturing to provide an input overload (t_{MAX}) of nominally 2.5V peak (see table of Transmission Characteristics). The FS_X frame sync pulse controls the sampling of the filter output, and then the successive-approximation encoding cycle begins. The 8-bit code is then loaded into a buffer and shifted out through D_X at the next FS_X pulse. The total encoding delay will be approximately 165 μ s (due to the transmit filter) plus 125 μ s (due to encoding delay), which totals 290 μ s. Any offset voltage due to the filters or comparator is cancelled by sign bit integration.

RECEIVE SECTION

The receive section consists of an expanding DAC which drives a fifth order switched-capacitor low pass filter clocked at 256 kHz. The decoder is A-law (TP3057) or μ -law (TP3054) and the 5th order low pass filter corrects for the $\sin x/x$ attenuation due to the 8 kHz sample/hold. The filter is then followed by a 2nd order RC active post-filter/power amplifier capable of driving a 600 Ω load to a level of 7.2 dBm. The receive section is unity-gain. Upon the occurrence of FS_R , the data at the D_R input is clocked in on the falling edge of the next eight $BCLK_R$ ($BCLK_X$) periods. At the end of the decoder time slot, the decoding cycle begins, and 10 μ s later the decoder DAC output is updated. The total decoder delay is \sim 10 μ s (decoder update) plus 110 μ s (filter delay) plus 62.5 μ s ($1/2$ frame), which gives approximately 180 μ s.

Absolute Maximum Ratings (Note 1)

If Military/Aerospace specified devices are required, please contact the National Semiconductor Sales Office/Distributors for availability and specifications.

V_{CC} to GNDA	7V
V_{BB} to GNDA	-7V
Voltage at any Analog Input or Output	$V_{CC}+0.3V$ to $V_{BB}-0.3V$

Voltage at any Digital Input or Output	$V_{CC}+0.3V$ to $GNDA-0.3V$
Operating Temperature Range	-55°C to +125°C
Storage Temperature Range	-65°C to +150°C
Lead Temperature (Soldering, 10 sec.)	300°C

Electrical Characteristics

Unless otherwise noted, limits printed in **BOLD** characters are guaranteed for $V_{CC} = +5.0V \pm 5\%$, $V_{BB} = -5.0V \pm 5\%$; $T_A = -40^\circ C$ to $+85^\circ C$ by correlation with 100% electrical testing at $T_A = 25^\circ C$. All other limits are assured by correlation with other production tests and/or product design and characterization. All signals referenced to GNDA. Typicals specified at $V_{CC} = +5.0V$, $V_{BB} = -5.0V$, $T_A = 25^\circ C$.

Symbol	Parameter	Conditions	Min	Typ	Max	Units
DIGITAL INTERFACE						
V_{IL}	Input Low Voltage				0.6	V
V_{IH}	Input High Voltage		2.2			V
V_{OL}	Output Low Voltage	$D_X, I_L=3.2$ mA			0.4	V
		$SIG_R, I_L=1.0$ mA			0.4	V
		$\overline{TS}_X, I_L=3.2$ mA, Open Drain			0.4	V
V_{OH}	Output High Voltage	$D_X, I_H=-3.2$ mA	2.4			V
		$SIG_R, I_H=-1.0$ mA	2.4			V
I_{IL}	Input Low Current	$GNDA \leq V_{IN} \leq V_{IL}$, All Digital Inputs	-10		10	μA
I_{IH}	Input High Current	$V_{IH} \leq V_{IN} \leq V_{CC}$	-10		10	μA
I_{OZ}	Output Current in High Impedance State (TRI-STATE)	$D_X, GNDA \leq V_O \leq V_{CC}$	-10		10	μA
ANALOG INTERFACE WITH TRANSMIT INPUT AMPLIFIER (ALL DEVICES)						
I_{IXA}	Input Leakage Current	$-2.5V \leq V_S \leq +2.5V, VF_X I^+$ or $VF_X I^-$	-200		200	nA
R_{IXA}	Input Resistance	$-2.5V \leq V_S \leq +2.5V, VF_X I^+$ or $VF_X I^-$	10			M Ω
R_{OXA}	Output Resistance	Closed Loop, Unity Gain		1	3	Ω
R_{LXA}	Load Resistance	GS_X	10			k Ω
C_{LXA}	Load Capacitance	GS_X			50	pF
V_{OXA}	Output Dynamic Range	$GS_X, R_L \geq 10$ k Ω	-2.8		2.8	V
A_{VXA}	Voltage Gain	$VF_X I^+$ to GS_X	5000			V/V
F_{UXA}	Unity Gain Bandwidth		1	2		MHz
V_{OSXA}	Offset Voltage		-20		20	mV
V_{CMXA}	Common-Mode Voltage	$CMRR_XA > 60$ dB	-2.5		2.5	V
$CMRR_XA$	Common-Mode Rejection Ratio	DC Test	60			dB
$PSRR_XA$	Power Supply Rejection Ratio	DC Test	60			dB
ANALOG INTERFACE WITH RECEIVE FILTER (ALL DEVICES)						
R_{ORF}	Output Resistance	Pin VF_{RO}		1	3	Ω
R_{LRF}	Load Resistance	$VF_{RO} = \pm 2.5V$	600			Ω
C_{LRF}	Load Capacitance				500	pF
V_{OSRO}	Output DC Offset Voltage		-200		200	mV
POWER DISSIPATION (ALL DEVICES)						
I_{CC0}	Power-Down Current	No Load (Note 2)		0.65	2.0	mA
I_{BB0}	Power-Down Current	No Load (Note 2)		0.01	0.33	mA
I_{CC1}	Power-Up (Active) Current	No Load (-40°C to 85°C)		5.0	11.0	mA
I_{BB1}	Power-Up (Active) Current	No Load (-40°C to 85°C)		5.0	11.0	mA

Note 1: "Absolute Maximum Ratings" indicate limits beyond which damage to the device may occur. Operating Ratings indicate conditions for which the device is functional, but do not guarantee specific performance limits.

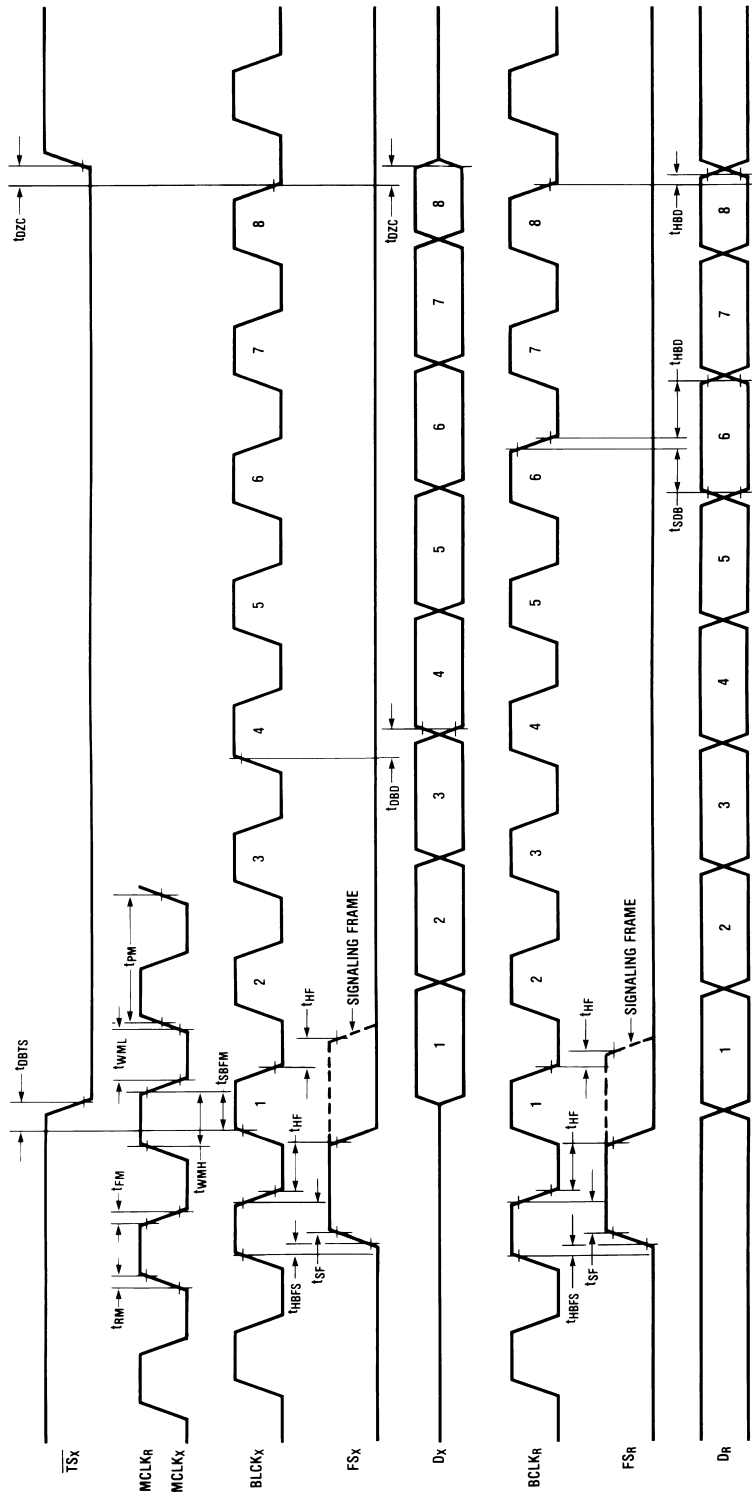
Note 2: I_{CC0} and I_{BB0} are measured after first achieving a power-up state.

Timing Specifications

Unless otherwise noted, limits printed in **BOLD** characters are guaranteed for $V_{CC} = +5.0V \pm 5\%$, $V_{BB} = -5.0V \pm 5\%$; $T_A = -40^\circ\text{C}$ to $+85^\circ\text{C}$ by correlation with 100% electrical testing at $T_A = 25^\circ\text{C}$. All other limits are assured by correlation with other production tests and/or product design and characterization. All signals referenced to GNDA. Typical values specified at $V_{CC} = +5.0V$, $V_{BB} = -5.0V$, $T_A = 25^\circ\text{C}$. All timing parameters are assured at $V_{OH} = 2.0V$ and $V_{OL} = 0.7V$. See Definitions and Timing Conventions section for test methods information.

Symbol	Parameter	Conditions	Min	Typ	Max	Units
$1/t_{PM}$	Frequency of Master Clocks	Depends on the Device Used and the BCLK _R /CLKSEL Pin. MCLK _X and MCLK _R		1.536 1.544 2.048		MHz MHz MHz
t_{RM}	Rise Time of Master Clock	MCLK _X and MCLK _R			50	ns
t_{FM}	Fall Time of Master Clock	MCLK _X and MCLK _R			50	ns
t_{PB}	Period of Bit Clock		485	488	15725	ns
t_{RB}	Rise Time of Bit Clock	BCLK _X and BCLK _R			50	ns
t_{FB}	Fall Time of Bit Clock	BCLK _X and BCLK _R			50	ns
t_{WMH}	Width of Master Clock High	MCLK _X and MCLK _R	160			ns
t_{WML}	Width of Master Clock Low	MCLK _X and MCLK _R	160			ns
t_{SBFM}	Set-Up Time from BCLK _X High to MCLK _X Falling Edge	First Bit Clock after the Leading Edge of FS _X	100	Short Frame Long Frame		ns
t_{SFFM}	Setup Time from FS _X High to MCLK _X Falling Edge	Long Frame Only	100			ns
t_{WBH}	Width of Bit Clock High	$V_{IH}=2.2V$	160			ns
t_{WBL}	Width of Bit Clock Low	$V_{IL}=0.6V$	160			ns
t_{HBFL}	Holding Time from Bit Clock Low to Frame Sync	Long Frame Only	0			ns
t_{HBFS}	Holding Time from Bit Clock High to Frame Sync	Short Frame Only	0			ns
t_{SFB}	Set-Up Time from Frame Sync to Bit Clock Low	Long Frame Only	115			ns
t_{DBD}	Delay Time from BCLK _X High to Data Valid	Load=150 pF plus 2 LSTTL Loads	0		140	ns
t_{DBTS}	Delay Time to \overline{TS}_X Low	Load=150 pF plus 2 LSTTL Loads			140	ns
t_{DZC}	Delay Time from BCLK _X Low to Data Output Disabled	$C_L=0$ pF to 150 pF	50		165	ns
t_{DZF}	Delay Time to Valid Data from FS _X or BCLK _X , Whichever Comes Later	$C_L=0$ pF to 150 pF	20		165	ns
t_{SDB}	Set-Up Time from D _R Valid to BCLK _{R/X} Low		50			ns
t_{HBD}	Hold Time from BCLK _{R/X} Low to D _R Invalid		50			ns
t_{SF}	Set-Up Time from FS _{X/R} to BCLK _{X/R} Low	Short Frame Sync Pulse (1 Bit Clock Period Long)	50			ns
t_{HF}	Hold Time from BCLK _{X/R} Low to FS _{X/R} Low	Short Frame Sync Pulse (1 Bit Clock Period Long)	100			ns
t_{HBF1}	Hold Time from 3rd Period of Bit Clock Low to Frame Sync (FS _X or FS _R)	Long Frame Sync Pulse (from 3 to 8 Bit Clock Periods Long)	100			ns
t_{WFL}	Minimum Width of the Frame Sync Pulse (Low Level)	64k Bit/s Operating Mode	160			ns

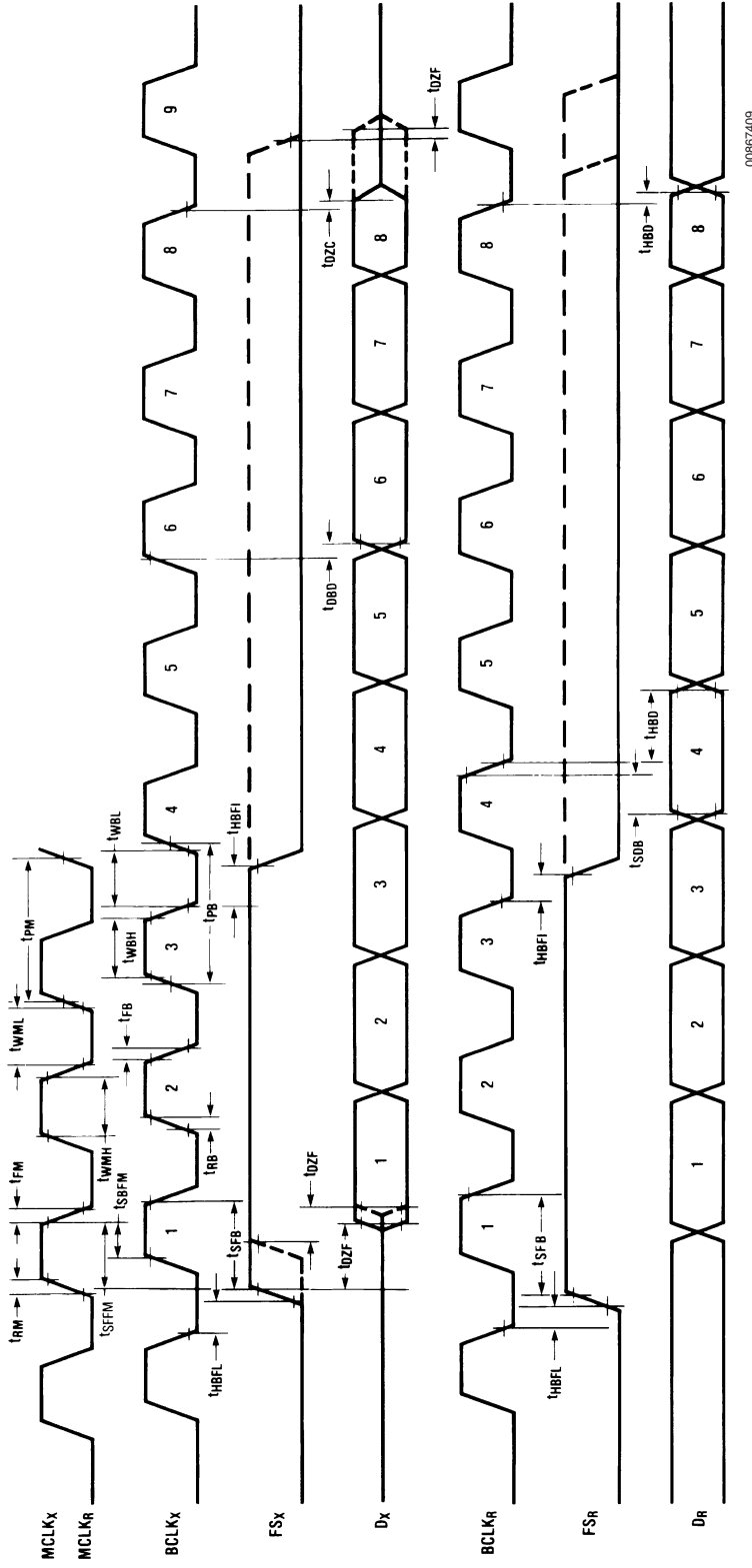
Timing Diagrams



00867403

FIGURE 2. Short Frame Sync Timing

Timing Diagrams (Continued)



00867409

FIGURE 3. Long Frame Sync Timing

Transmission Characteristics

Unless otherwise noted, limits printed in **BOLD** characters are guaranteed for $V_{CC} = +5.0V \pm 5\%$, $V_{BB} = -5.0V \pm 5\%$; $T_A = -40^\circ\text{C}$ to $+85^\circ\text{C}$ by correlation with 100% electrical testing at $T_A = 25^\circ\text{C}$. All other limits are assured by correlation with other production tests and/or product design and characterization. $G_{NDA} = 0V$, $f = 1.02\text{ kHz}$, $V_{IN} = 0\text{ dBm0}$, transmit input amplifier connected for unity gain non inverting. Typicals are specified at $V_{CC} = +5.0V$, $V_{BB} = -5.0V$, $T_A = 25^\circ\text{C}$.

Symbol	Parameter	Conditions	Min	Typ	Max	Units
AMPLITUDE RESPONSE						
	Absolute Levels (Definition of nominal gain)	Nominal 0 dBm0 Level is 4 dBm (600Ω) 0 dBm0		1.2276		V _{rms}
t _{MAX}		Max Overload Level TP3054 (3.17 dBm0) TP3057 (3.14 dBm0)		2.501 2.492		V _{PK} V _{PK}
G _{XA}	Transmit Gain, Absolute	T _A =25°C, V _{CC} =5V, V _{BB} =-5V Input at G _{Sx} =0 dBm0 at 1020 Hz	-0.15		0.15	dB
G _{XR}	Transmit Gain, Relative to G _{XA}	f=16 Hz f=50 Hz f=60 Hz f=200 Hz f=300 Hz–3000 Hz f=3152 Hz f=3300 Hz f=3400 Hz f=4000 Hz f=4600 Hz and Up, Measure Response from 0 Hz to 4000 Hz			-40 -30 -26 -0.1 0.15 0.20 0.1 0 -14 -32	dB dB dB dB dB dB dB dB dB dB
G _{XAT}	Absolute Transmit Gain Variation with Temperature	Relative to G _{XA}	-0.15		0.15	dB
G _{XAV}	Absolute Transmit Gain Variation with Supply Voltage	Relative to G _{XA}	-0.05		0.05	dB
G _{XRL}	Transmit Gain Variations with Level	Sinusoidal Test Method Reference Level=-10 dBm0 V _{F_X} l ⁺ =-40 dBm0 to +3 dBm0 V _{F_X} l ⁺ =-50 dBm0 to -40 dBm0 V _{F_X} l ⁺ =-55 dBm0 to -50 dBm0	-0.2 -0.4 -1.2		0.2 0.4 1.2	dB dB dB
G _{RA}	Receive Gain, Absolute	T _A =25°C, V _{CC} =5V, V _{BB} =-5V Input=Digital Code Sequence for 0 dBm0 Signal at 1020 Hz	-0.20		0.20	dB
G _{RR}	Receive Gain, Relative to G _{RA}	f=0 Hz to 3000 Hz f=3300 Hz f=3400 Hz f=4000 Hz	-0.15 -0.35 -0.7		0.15 0.1 0 -14	dB dB dB dB
G _{RAT}	Absolute Receive Gain Variation with Temperature	Relative to G _{RA}	-0.15		0.15	dB
G _{RAV}	Absolute Receive Gain Variation with Supply Voltage	Relative to G _{RA}	-0.05		0.05	dB
G _{RRL}	Receive Gain Variations with Level	Sinusoidal Test Method; Reference Input PCM Code Corresponds to an Ideally Encoded PCM Level =-40 dBm0 to +3 dBm0 PCM Level =-50 dBm0 to -40 dBm0 PCM Level =-55 dBm0 to -50 dBm0	-0.2 -0.4 -1.2		0.2 0.4 1.2	dB dB dB

Transmission Characteristics (Continued)

Unless otherwise noted, limits printed in **BOLD** characters are guaranteed for $V_{CC} = +5.0V \pm 5\%$, $V_{BB} = -5.0V \pm 5\%$; $T_A = -40^\circ\text{C}$ to $+85^\circ\text{C}$ by correlation with 100% electrical testing at $T_A = 25^\circ\text{C}$. All other limits are assured by correlation with other production tests and/or product design and characterization. $G_NDA = 0V$, $f = 1.02\text{ kHz}$, $V_{IN} = 0\text{ dBm0}$, transmit input amplifier connected for unity gain non inverting. Typical values are specified at $V_{CC} = +5.0V$, $V_{BB} = -5.0V$, $T_A = 25^\circ\text{C}$.

Symbol	Parameter	Conditions	Min	Typ	Max	Units
AMPLITUDE RESPONSE						
V_{RO}	Receive Output Drive Level	$R_L=600\Omega$	-2.5		2.5	V
ENVELOPE DELAY DISTORTION WITH FREQUENCY						
D_{XA}	Transmit Delay, Absolute	$f=1600\text{ Hz}$		290	315	μs
D_{XR}	Transmit Delay, Relative to D_{XA}	$f=500\text{ Hz}-600\text{ Hz}$		195	220	μs
		$f=600\text{ Hz}-800\text{ Hz}$		120	145	μs
		$f=800\text{ Hz}-1000\text{ Hz}$		50	75	μs
		$f=1000\text{ Hz}-1600\text{ Hz}$		20	40	μs
		$f=1600\text{ Hz}-2600\text{ Hz}$		55	75	μs
		$f=2600\text{ Hz}-2800\text{ Hz}$		80	105	μs
D_{RA}	Receive Delay, Absolute	$f=1600\text{ Hz}$		180	200	μs
D_{RR}	Receive Delay, Relative to D_{RA}	$f=500\text{ Hz}-1000\text{ Hz}$	-40	-25		μs
		$f=1000\text{ Hz}-1600\text{ Hz}$	-30	-20		μs
		$f=1600\text{ Hz}-2600\text{ Hz}$		70	90	μs
		$f=2600\text{ Hz}-2800\text{ Hz}$		100	125	μs
		$f=2800\text{ Hz}-3000\text{ Hz}$		145	175	μs
NOISE						
N_{XC}	Transmit Noise, C Message Weighted	TP3054 (Note 3)		12	16	dBrnC0
N_{XP}	Transmit Noise, P Message Weighted	TP3057 (Note 3)		-74	-67	dBm0p
N_{RC}	Receive Noise, C Message Weighted	PCM Code is Alternating Positive and Negative Zero — TP3054		8	11	dBrnC0
N_{RP}	Receive Noise, P Message Weighted	TP3057 PCM Code Equals Positive Zero —		-82	-79	dBm0p
N_{RS}	Noise, Single Frequency	$f=0\text{ kHz}$ to 100 kHz , Loop Around Measurement, $V_{F_X} ^+=0\text{ Vrms}$			-53	dBm0
$PPSR_X$	Positive Power Supply Rejection, Transmit	$V_{CC}=5.0\text{ V}_{DC}+100\text{ mVrms}$ $f=0\text{ kHz}-50\text{ kHz}$ (Note 4)	40			dB
$NPSR_X$	Negative Power Supply Rejection, Transmit	$V_{BB}=-5.0\text{ V}_{DC}+100\text{ mVrms}$ $f=0\text{ kHz}-50\text{ kHz}$ (Note 4)	40			dB
$PPSR_R$	Positive Power Supply Rejection, Receive	PCM Code Equals Positive Zero $V_{CC}=5.0\text{ V}_{DC}+100\text{ mVrms}$ Measure $V_{F_R}0$ $f=0\text{ Hz}-4000\text{ Hz}$	38			dB
		$f=4\text{ kHz}-25\text{ kHz}$	38			dB
		$f=25\text{ kHz}-50\text{ kHz}$	35			dB
$NPSR_R$	Negative Power Supply Rejection, Receive	PCM Code Equals Positive Zero $V_{BB}=-5.0\text{ V}_{DC}+100\text{ mVrms}$ Measure $V_{F_R}0$ $f=0\text{ Hz}-4000\text{ Hz}$	38			dB
		$f=4\text{ kHz}-25\text{ kHz}$	38			dB
		$f=25\text{ kHz}-50\text{ kHz}$	35			dB

Transmission Characteristics (Continued)

Unless otherwise noted, limits printed in **BOLD** characters are guaranteed for $V_{CC} = +5.0V \pm 5\%$, $V_{BB} = -5.0V \pm 5\%$; $T_A = -40^\circ C$ to $+85^\circ C$ by correlation with 100% electrical testing at $T_A = 25^\circ C$. All other limits are assured by correlation with other production tests and/or product design and characterization. $G_{NDA} = 0V$, $f = 1.02$ kHz, $V_{IN} = 0$ dBm0, transmit input amplifier connected for unity gain non inverting. Typical values are specified at $V_{CC} = +5.0V$, $V_{BB} = -5.0V$, $T_A = 25^\circ C$.

Symbol	Parameter	Conditions	Min	Typ	Max	Units
NOISE						
SOS	Spurious Out-of-Band Signals at the Channel Output	Loop Around Measurement, 0 dBm0, 300 Hz to 3400 Hz Input PCM Code Applied at D_R .			-30	dB
		4600 Hz–7600 Hz			-30	dB
		7600 Hz–8400 Hz			-40	dB
		8400 Hz–100,000 Hz			-30	dB
DISTORTION						
STD _X , STD _R	Signal to Total Distortion Transmit or Receive Half-Channel	Sinusoidal Test Method (Note 6) Level=3.0 dBm0 =0 dBm0 to -30 dBm0 =-40 dBm0 =-55 dBm0	33 36 28 29 13 14			dBC dBC dBC dBC dBC dBC
		XMT RCV XMT RCV				
SFD _X	Single Frequency Distortion, Transmit				-43	dB
SFD _R	Single Frequency Distortion, Receive				-43	dB
IMD	Intermodulation Distortion	Loop Around Measurement, $V_{F_X I^+} = -4$ dBm0 to -21 dBm0, Two Frequencies in the Range 300 Hz–3400 Hz			-41	dB
CROSSTALK						
CT _{X-R}	Transmit to Receive Crosstalk, 0 dBm0 Transmit Level	$f=300$ Hz–3400 Hz $D_R=$ Quiet PCM Code (Note 6)		-90	-70	dB
CT _{R-X}	Receive to Transmit Crosstalk, 0 dBm0 Receive Level	$f=300$ Hz–3400 Hz, $V_{F_X I^+}=$ Multitone (Note 4)		-90	-70	dB

ENCODING FORMAT AT D_X OUTPUT

	TP3054 μ-Law	TP3057 A-Law (Includes Even Bit Inversion)
V_{IN} (at GS_X)=+Full-Scale	1 0 0 0 0 0 0 0	1 0 1 0 1 0 1 0
V_{IN} (at GS_X)=0V	1 1 1 1 1 1 1 1 0 1 1 1 1 1 1 1	1 1 0 1 0 1 0 1 0 1 0 1 0 1 0 1
V_{IN} (at GS_X)=-Full-Scale	0 0 0 0 0 0 0 0	0 0 1 0 1 0 1 0

Note 3: Measured by extrapolation from the distortion test result at -50 dBm0.

Note 4: PPSR_X, NPSR_X, and CT_{R-X} are measured with a -50 dBm0 activation signal applied to $V_{F_X I^+}$.

Note 5: TP3054/57 are measured using C message weighted filter for μ-law and psophometric weighted filter for A-law.

Note 6: CT_{X-R} @ 1.544 MHz MCLK_X freq. is -70 dB max. 50% ±5% BCLK_X duty cycle.

Applications Information

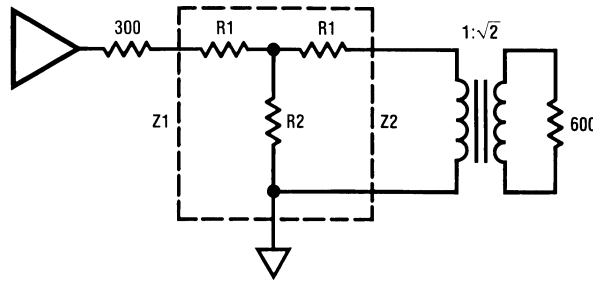
POWER SUPPLIES

While the pins of the TP3050 family are well protected against electrical misuse, it is recommended that the standard CMOS practice be followed, ensuring that ground is connected to the device before any other connections are made. In applications where the printed circuit board may be plugged into a "hot" socket with power and clocks already present, an extra long ground pin in the connector should be used.

All ground connections to each device should meet at a common point as close as possible to the GNDA pin. This minimizes the interaction of ground return currents flowing through a common bus impedance. 0.1 μF supply decoupling capacitors should be connected from this common ground point to V_{CC} and V_{BB} , as close to device pins as possible.

For best performance, the ground point of each CODEC/FILTER on a card should be connected to a common card ground in star formation, rather than via a ground bus.

T-Pad Attenuator



00867411

$$R1 = Z1 \left(\frac{N^2 + 1}{N^2 - 1} \right) - 2\sqrt{Z1 \cdot Z2} \left(\frac{N}{N^2 - 1} \right)$$

$$R2 = 2\sqrt{Z1 \cdot Z2} \left(\frac{N}{N^2 - 1} \right)$$

$$\text{Where: } N = \sqrt{\frac{\text{POWER IN}}{\text{POWER OUT}}}$$

and

$$S = \sqrt{\frac{Z1}{Z2}}$$

$$\text{Also: } Z = \sqrt{Z_{\text{SC}} \cdot Z_{\text{OC}}}$$

Where Z_{SC} = impedance with short circuit terminationand Z_{OC} = impedance with open circuit termination

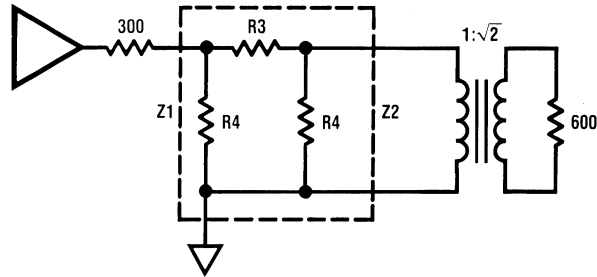
This common ground point should be decoupled to V_{CC} and V_{BB} with 10 μF capacitors.

RECEIVE GAIN ADJUSTMENT

For applications where a TP3050 family CODEC/filter receive output must drive a 600 Ω load, but a peak swing lower than $\pm 2.5\text{V}$ is required, the receive gain can be easily adjusted by inserting a matched T-pad or π -pad at the output. Table 2 lists the required resistor values for 600 Ω terminations. As these are generally non-standard values, the equations can be used to compute the attenuation of the closest practical set of resistors. It may be necessary to use unequal values for the R1 or R4 arms of the attenuators to achieve a precise attenuation. Generally it is tolerable to allow a small deviation of the input impedance from nominal while still maintaining a good return loss. For example a 30 dB return loss against 600 Ω is obtained if the output impedance of the attenuator is in the range 282 Ω to 319 Ω (assuming a perfect transformer).

Applications Information (Continued)

π -Pad Attenuator



00867412

Note: See Application Note 370 for further details.

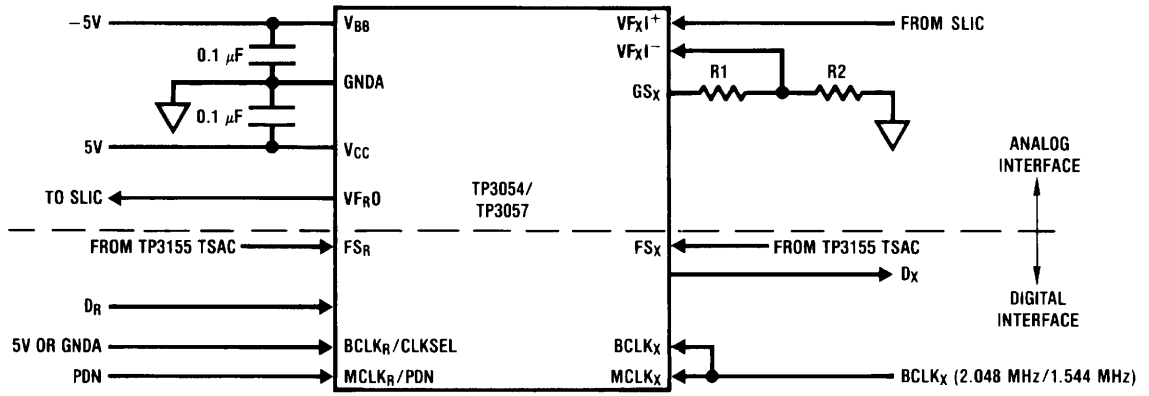
$$R3 = \sqrt{\frac{Z1 \cdot Z2}{2}} \left(\frac{N^2 - 1}{N} \right)$$

$$R3 = Z1 \left(\frac{N^2 - 1}{N^2 - 2NS + 1} \right)$$

**TABLE 2. Attenuator Tables for Z1=Z2=300Ω
(All Values in Ω)**

dB	R1	R2	R3	R4
0.1	1.7	26k	3.5	52k
0.2	3.5	13k	6.9	26k
0.3	5.2	8.7k	10.4	17.4k
0.4	6.9	6.5k	13.8	13k
0.5	8.5	5.2k	17.3	10.5k
0.6	10.4	4.4k	21.3	8.7k
0.7	12.1	3.7k	24.2	7.5k
0.8	13.8	3.3k	27.7	6.5k
0.9	15.5	2.9k	31.1	5.8k
1.0	17.3	2.6k	34.6	5.2k
2	34.4	1.3k	70	2.6k
3	51.3	850	107	1.8k
4	68	650	144	1.3k
5	84	494	183	1.1k
6	100	402	224	900
7	115	380	269	785
8	379	284	317	698
9	143	244	370	630
10	156	211	427	527
11	168	184	490	535
12	180	161	550	500
13	190	142	635	473
14	200	125	720	450
15	210	110	816	430
16	218	98	924	413
18	233	77	1.17k	386
20	246	61	1.5k	366

Typical Synchronous Application



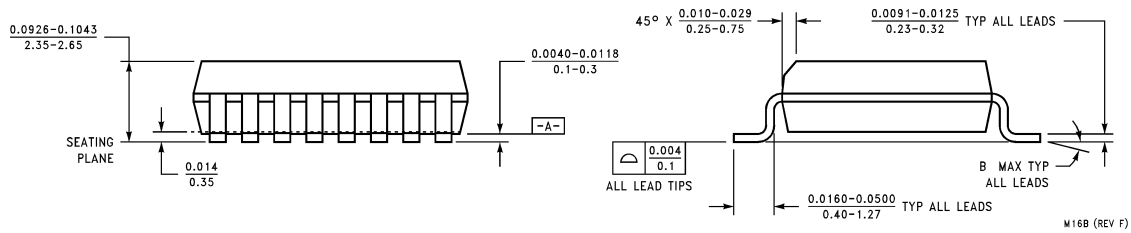
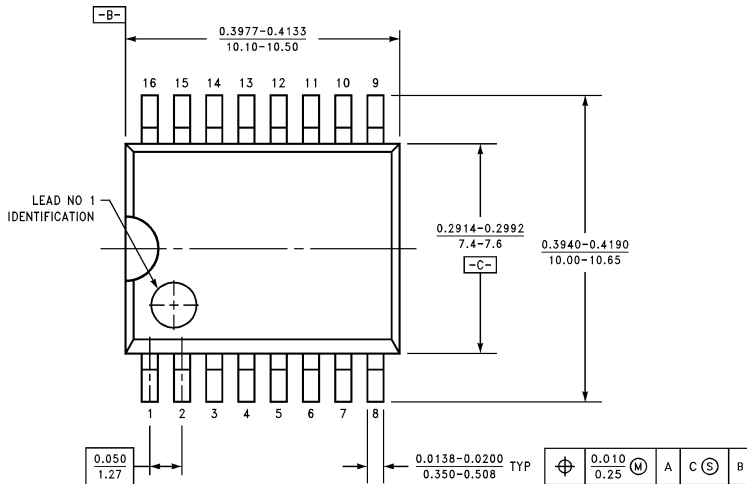
00867406

Note 1: XMIT gain = $20 \times \log \left(\frac{R1 + R2}{R2} \right)$, (R1 + R2) > 10 KΩ.

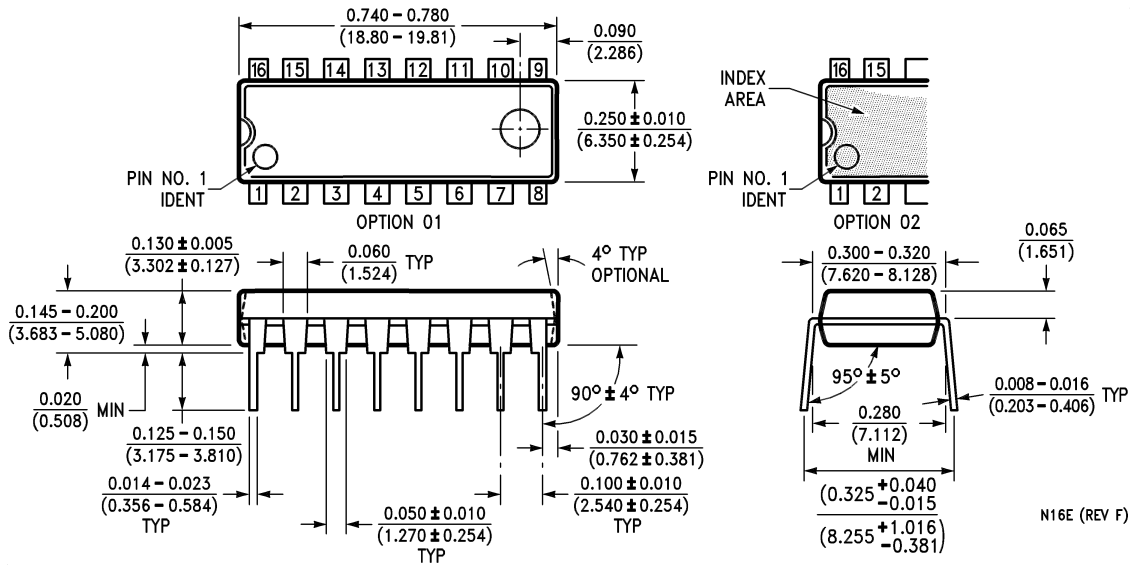
FIGURE 4.

Physical Dimensions inches (millimeters)

unless otherwise noted

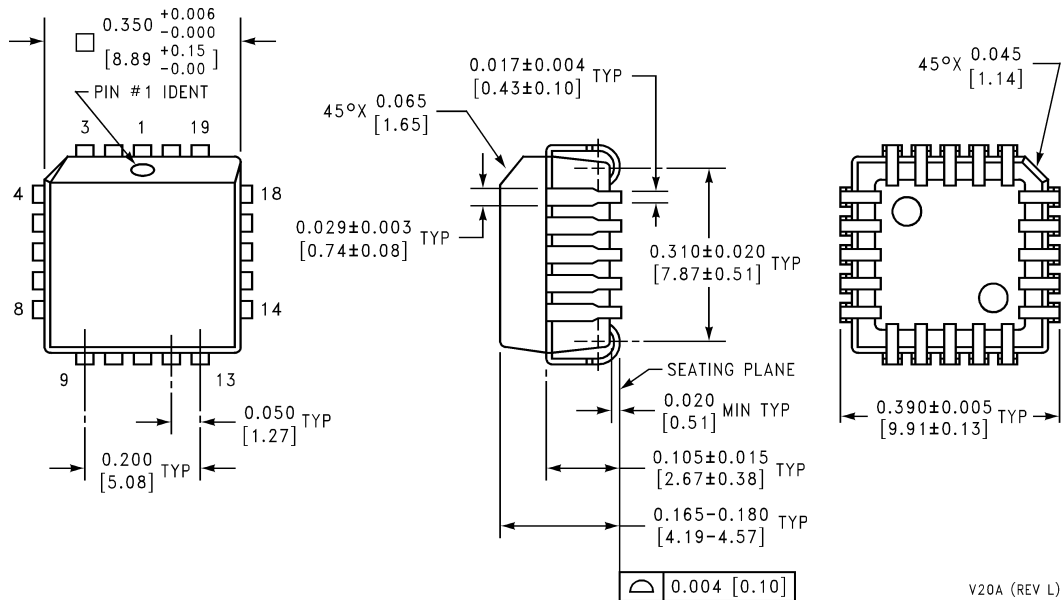


Dual-In-Line Package (M)
Order Number TP3054WM-X
NS Package Number M16B



Molded Dual-In-Line Package (N)
Order Number TP3054N-X
NS Package Number N16E

Physical Dimensions inches (millimeters) unless otherwise noted (Continued)



Cavity Dual-In-Line Package (V)
Order Number TP3057V-X
NS Package Number V20A

V20A (REV L)

National does not assume any responsibility for use of any circuitry described, no circuit patent licenses are implied and National reserves the right at any time without notice to change said circuitry and specifications.

For the most current product information visit us at www.national.com.


LIFE SUPPORT POLICY

NATIONAL'S PRODUCTS ARE NOT AUTHORIZED FOR USE AS CRITICAL COMPONENTS IN LIFE SUPPORT DEVICES OR SYSTEMS WITHOUT THE EXPRESS WRITTEN APPROVAL OF THE PRESIDENT AND GENERAL COUNSEL OF NATIONAL SEMICONDUCTOR CORPORATION. As used herein:

1. Life support devices or systems are devices or systems which, (a) are intended for surgical implant into the body, or (b) support or sustain life, and whose failure to perform when properly used in accordance with instructions for use provided in the labeling, can be reasonably expected to result in a significant injury to the user.
2. A critical component is any component of a life support device or system whose failure to perform can be reasonably expected to cause the failure of the life support device or system, or to affect its safety or effectiveness.

BANNED SUBSTANCE COMPLIANCE

National Semiconductor manufactures products and uses packing materials that meet the provisions of the Customer Products Stewardship Specification (CSP-9-111C2) and the Banned Substances and Materials of Interest Specification (CSP-9-111S2) and contain no "Banned Substances" as defined in CSP-9-111S2.

 **National Semiconductor**
Americas Customer Support Center
 Email: new.feedback@nsc.com
 Tel: 1-800-272-9959

National Semiconductor
Europe Customer Support Center
 Fax: +49 (0) 180-530 85 86
 Email: europa.support@nsc.com
 Deutsch Tel: +49 (0) 69 9508 6208
 English Tel: +44 (0) 870 24 0 2171
 Français Tel: +33 (0) 1 41 91 8790

National Semiconductor
Asia Pacific Customer Support Center
 Email: ap.support@nsc.com

National Semiconductor
Japan Customer Support Center
 Fax: 81-3-5639-7507
 Email: jpn.feedback@nsc.com
 Tel: 81-3-5639-7560

www.national.com