

ADVANCED



W682510/W682310

DUAL-CHANNEL VOICEBAND CODECS

W682510/W682310



1. GENERAL DESCRIPTION

The W682510 and W682310 are general-purpose dual channel PCM CODECs with pin-selectable μ -Law or A-Law companding. The device is compliant with the ITU G.712 specification. It operates from a single power supply (+5V for the W682510, +3V for the W682310) and is available in 20-pin PDIP (W682510 only), SSOP, and 24-pin SOP package options. Functions performed include digitization and reconstruction of voice signals, and band limiting and smoothing filters required for PCM systems. The filters are compliant with ITU G.712 specification. The W682510 and W682310 performance is specified over the industrial temperature range of -40°C to $+85^{\circ}\text{C}$.

The W682510 includes an on-chip precision voltage reference and receive output buffer amplifiers, capable of driving 600Ω loads (line transformers.) The analog section is fully differential, reducing noise and improving the power supply rejection ratio. The data transfer protocol supports either parallel or serial synchronous communications for PCM applications. The W682510 and W682310 have a built-in PLL that eliminates the need for a master clock and automatically determines the division ratio for the required internal clock.

For fast evaluation and prototyping purposes, the W682510DK & W682310DK development kits are available.

2. FEATURES

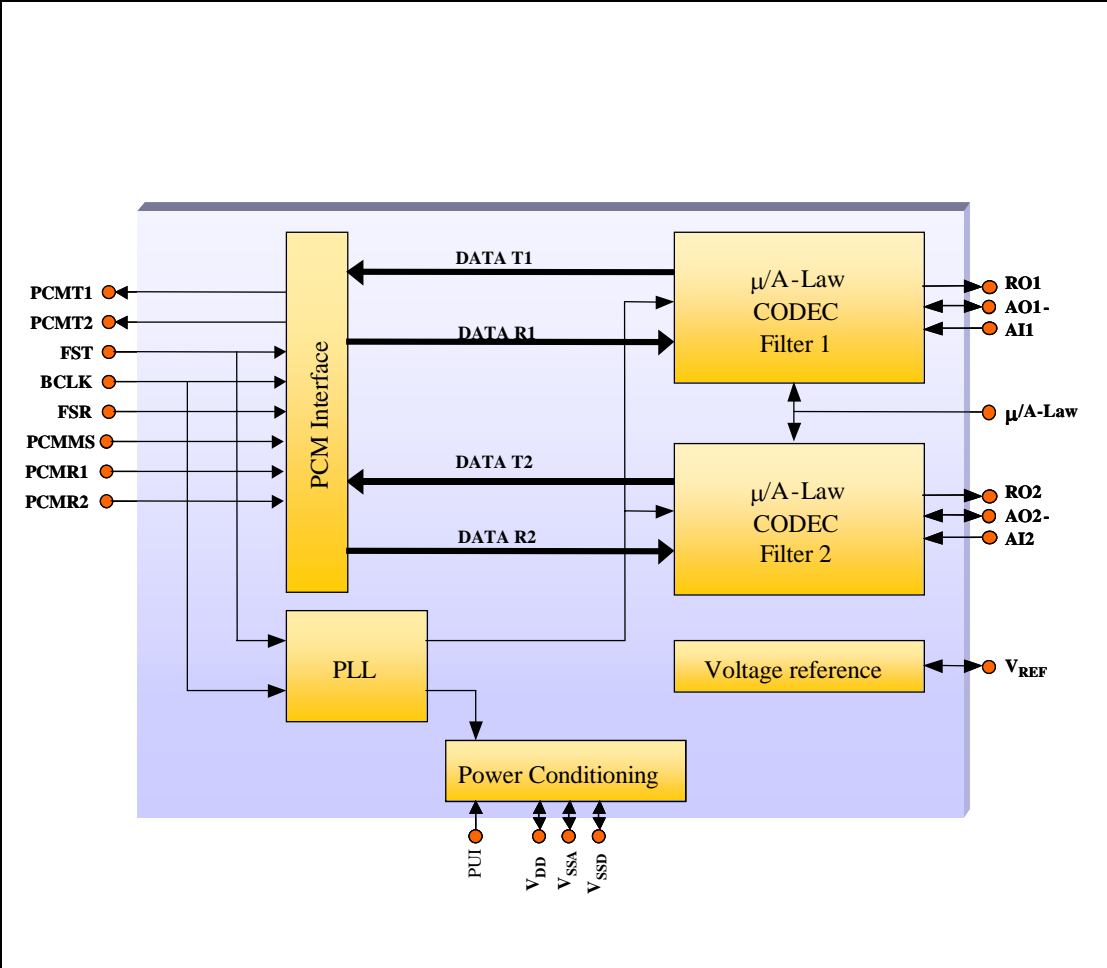
- Single power supply
 - 4.5V to 5.5V (W682510)
 - 2.7V to 3.8V (W682310)
- Typical power dissipation of 35 mW, power-down mode of 5 μW
- Fully-differential analog circuit design
- On-chip precision reference-
 - W682510: 1.73V for a 0.8 dBm OTLP at 600Ω
 - W682310: 1.41V reference for a OTLP of -3.8 dBm into 1200Ω
- Pin-selectable μ -Law and A-Law companding (compliant with ITU G.711)
- CODEC A/D and D/A filtering compliant with ITU G.712
- Industrial temperature range (-40°C to $+85^{\circ}\text{C}$)
- Three packages: 20-pin SSOP, 20-pin PDIP, and 24-pin SOP

APPLICATIONS

- Digital Telephone Systems
- Central Office Equipment (Gateways, Switches, Routers)
- PBX Systems (Gateways, Switches)
- PABX/SOHO Systems
- Hands free system
- Speakerphone devices
- VoIP Terminals
- Enterprise Phones
- ISDN Terminals
- Analog line cards



3. BLOCK DIAGRAM





4. TABLE OF CONTENTS

1. GENERAL DESCRIPTION	2
1. GENERAL DESCRIPTION	2
2. FEATURES	2
3. BLOCK DIAGRAM	3
4. TABLE OF CONTENTS	4
5. PIN CONFIGURATION	6
6. PIN DESCRIPTION	7
7. FUNCTIONAL DESCRIPTION	8
7.1. Transmit Path.....	8
7.1.1. AI1, AI2, AO1-, AO2-.....	9
7.1.2. PCMT1	9
7.1.3. PCMT2	10
7.2. Receive Path.....	10
7.2.1. RO1, RO2	10
7.2.2. PCMR1.....	11
7.2.3. PCMR2.....	11
7.3. Power Signals.....	11
7.3.1. V _{DD}	11
7.3.2. V _{SSA}	11
7.3.3. V _{SSD}	11
7.3.4. V _{REF}	12
7.3.5. PUI	12
7.4. PCM Interface.....	12
7.4.1. μ /A-Law	12
7.4.2. BCLK.....	13
7.4.3. FSR	13
7.4.4. FST.....	13
7.4.5. PCMMS.....	13
7.5. Power State Modes.....	13
7.5.1. Power Save Mode.....	13
7.5.2. Power Down Mode.....	14
7.5.3. Power Save/Down Output pin state	14
8. TIMING DIAGRAMS	15
9. ABSOLUTE MAXIMUM RATINGS	19

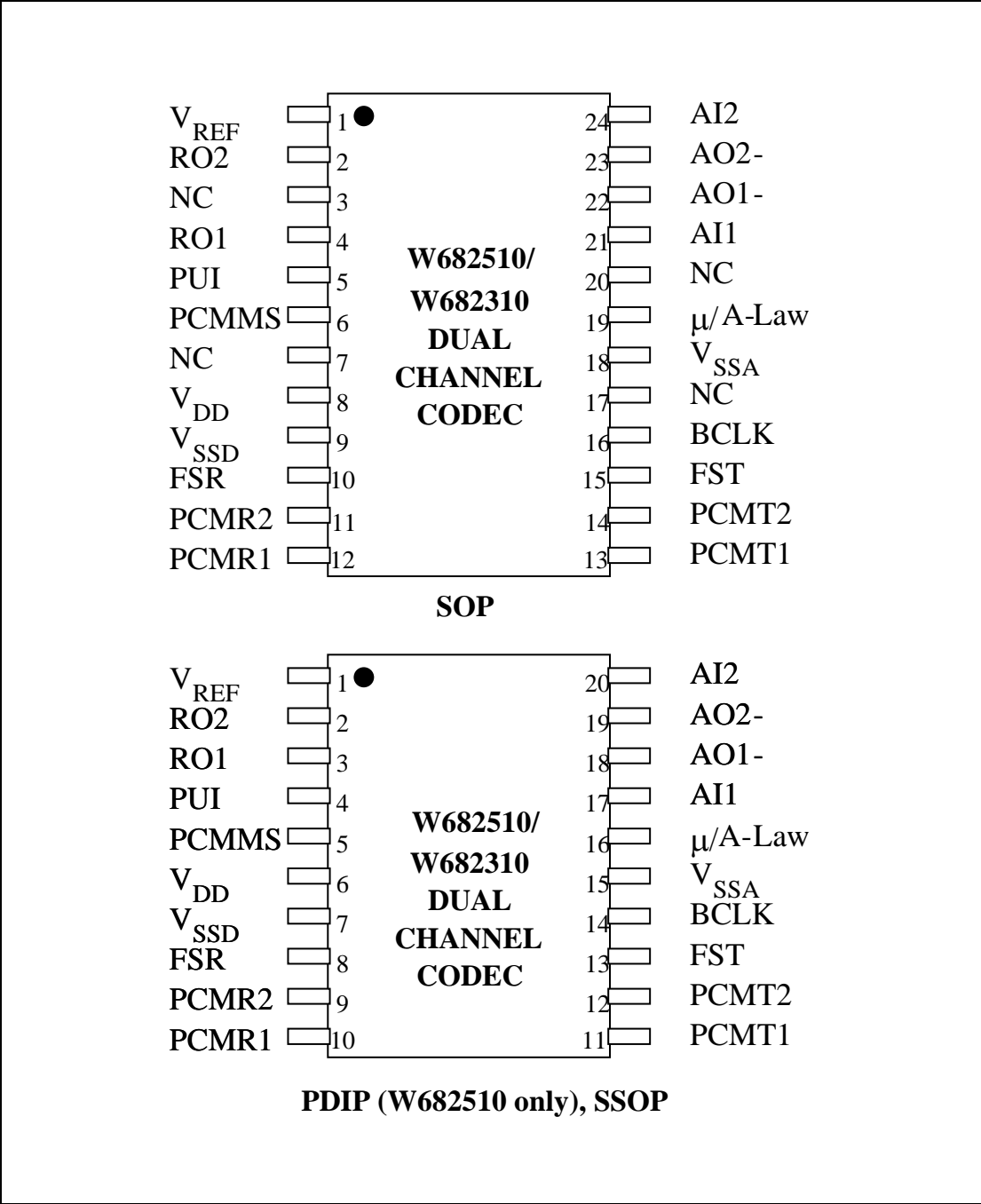
W682510/W682310



- 10. ELECTRICAL CHARACTERISTICS 20**
 - 10.1. General Parameters W682510 4.5V – 5.5V 20
 - 10.2. General Parameters W682310 2.7V – 3.8V 20
 - 10.3. Analog Signal Level and Gain Parameters 22
 - 10.4. Analog Distortion and Noise Parameters 24
 - 10.5. Analog Input and Output Amplifier Parameters..... 25
 - 10.6. Digital I/O..... 26
- 11. TYPICAL APPLICATION CIRCUIT 29**
- 12. PACKAGE DRAWING AND DIMENSIONS 31**
 - 12.1. 20L (PDIP) Plastic Dual Inline Package Dimensions (W682510 only)..... 31
 - 12.2. 20L SSOP – 209 mil Shrink Small Outline Package Dimensions 32
 - 12.3. 24 SOP – 300 mil 33
- 13. ORDERING INFORMATION 34**
- 14. VERSION HISTORY 35**



5. PIN CONFIGURATION





6. PIN DESCRIPTION

Pin Name	Pin # SSOP PDIP	Pin # SOP	Functionality (CH1 = Channel 1, CH2 = Channel 2)
V _{REF}	1	1	This pin is used to bypass the signal ground. It needs to be decoupled to V _{SS} through a 0.1 μF ceramic decoupling capacitor. No external loads should be tied to this pin.
RO2	2	2	CH2 Non-Inverting output of the receive smoothing filter. This pin can typically drive a 600 Ω load (W682510) or 1200 Ω load (W682310).
RO1	3	4	CH1 Non-Inverting output of the receive smoothing filter. This pin can typically drive a 600 Ω load (W682510) or 1200 Ω load (W682310)..
PUI	4	5	Power up input signal. When this pin is HIGH (tied to V _{DD}) the part is powered up. When LOW (tied to V _{SS}) the part is powered down.
PCMMS	5	6	PCM mode select input (serial or parallel data interface) HIGH = Parallel, LOW = Serial
V _{DD}	6	8	Power supply. This pin should be decoupled to V _{SS} with a 0.1μF ceramic capacitor.
V _{SSD}	7	9	This is the digital supply ground. This pin should be connected to 0V.
FSR	8	10	8 kHz Frame Sync input for the PCM receive section. It can also be connected to the FST pin when transmit and receive are synchronous operations.
PCMR2	9	11	CH2 PCM input data receive pin. The data needs to be synchronous with the FSR and BCLK pins.
PCMR1	10	12	CH1 PCM input data receive pin. The data needs to be synchronous with the FSR and BCLK pins.
PCMT1	11	13	CH1 PCM output data transmit pin. The output data is synchronous with the FST and BCLK pins.
PCMT2	12	14	CH2 PCM output data transmit pin. The output data is synchronous with the FST and BCLK pins.
FST	13	15	8 kHz transmit frame sync input. This pin synchronizes the transmit data bytes.
BCLK	14	16	PCM transmit and receive bit clock input pin for CH1 and CH2 transmit.
V _{SSA}	15	18	This is the analog supply ground. This pin should be connected to 0V.
μ/A-Law	16	19	Compannder mode select pin. μ-Law companding is selected when this pin is LOW (tied to V _{SS} .) A-Law companding is selected when pin is HIGH (tied to V _{DD} .)
AI1	17	21	CH1 Non-Inverting input of the first gain stage in the transmit path.
AO1-	18	22	CH1 Inverting analog output of the first gain stage in the transmit path.
AO2-	19	23	CH2 Inverting analog output of the first gain stage in the transmit path
AI2	20	24	CH2 Non-Inverting input of the first gain stage in the transmit path.



7. FUNCTIONAL DESCRIPTION

W682510/W682310 is a single-rail, dual channel PCM CODEC for voiceband applications. The CODEC complies with the specifications of the ITU-T G.712 recommendation. The CODEC includes two complete μ -Law and A-Law companders. The μ -Law and A-Law companders are designed to comply with the specifications of the ITU-T G.711 recommendation.

The block diagram in section 3 shows the main components of the W682510/W682310. The chip consists of a PCM interface, which can process the data in parallel or serial formats. The PLL of the chip provides the internal clock signals and synchronizes the CODEC sample rate with the external frame sync frequency. The power-conditioning block provides the internal power supply for the digital and the analog section, while the voltage reference block provides a precision analog ground voltage for the analog signal processing.

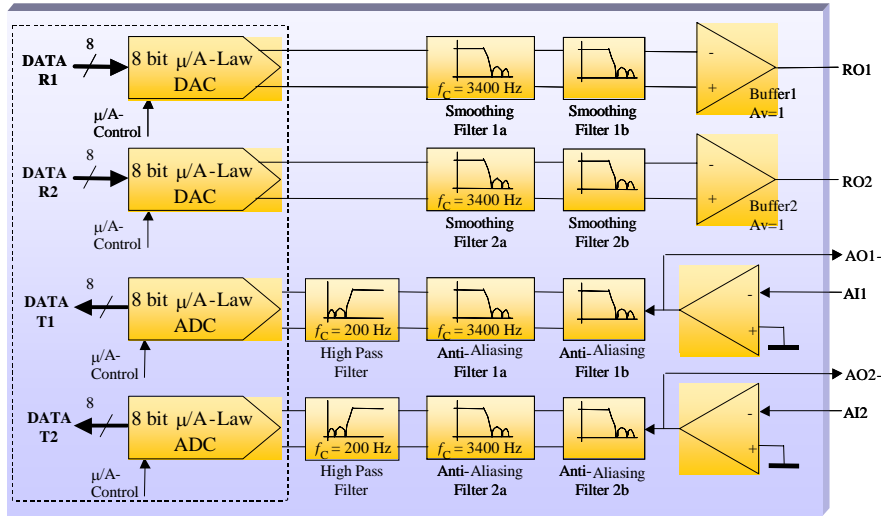


FIGURE 7.1: THE W682510 AND W682310 SIGNAL PATH

7.1. TRANSMIT PATH

The A-to-D path of the CODEC contains an analog input amplifier with externally configurable gain setting (see application examples in section 11). The transmit amplifier output is the input to the encoder section.

The output of the input amplifier is fed through a low-pass filter to prevent aliasing at the switched capacitor 3.4 kHz low pass filter. The 3.4 kHz switched capacitor low pass filter prevents aliasing of input signals above 4 kHz, due to the sampling at 8 kHz. The output of the 3.4 kHz low pass filter is filtered by a high pass filter with a 200 Hz cut-off frequency. The filters are designed according to the recommendations in the G.712 ITU-T specification. From the output of the high pass filter the signal is digitized. The signal is converted into a compressed 8-bit digital representation with either μ -Law or A-



Law format. The μ -Law or A-Law format is pin-selectable through the μ /A-Law pin. The compression format can be selected according to Table 7.1.

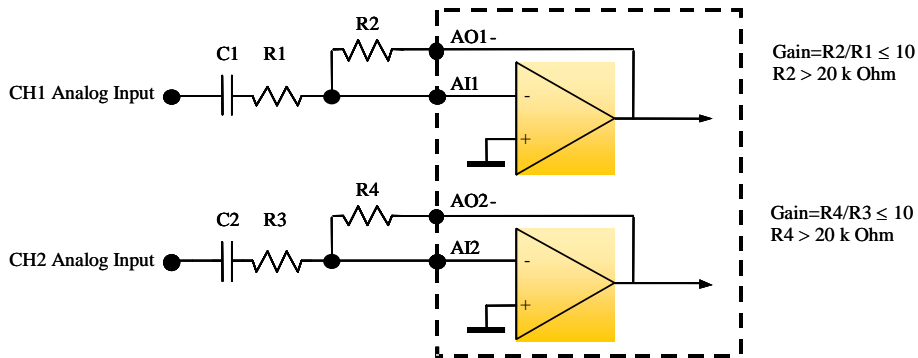
TABLE 7.1: PIN-SELECTABLE COMPRESSION FORMAT

μ /A-Law Pin	Format
V _{DD} (HIGH)	A-Law
V _{SSA} (LOW)	μ -Law

The digital 8-bit μ -Law or A-Law samples are fed to the PCM interface for serial or parallel transmission at the sample rate supplied by the external frame sync FST.

7.1.1. AI1, AI2, AO1-, AO2-

AI1 and AI2 are the transmit analog inputs for channels 1 and 2. AO1- and AO2- are the transmit level feedback for channels 1 and 2. AI1 and AI2 are inverting inputs for the Op-Amps. AO1- and AO2- are connected to the outputs of the Op-Amps and are used to set the level, as illustrated below. When AI1 and AI2 are not used, connect AI1 to AO1- and AI2 to AO2-. During power saving mode and power down mode, the AO1- and AO2- outputs are tied weakly to V_{SSA} on the W682510 or are high impedance on the W682310 (See table on page 14).



7.1.2. PCMT1

The PCM signal output of channel 1 when the parallel mode is selected. The PCM output signal is sent from PCMT1 in a sequential order, synchronizing with the rising edge of the BCLK signal. The MSB may be output at the rising edge of the FST signal, based on the timing between BCLK and FST. This output pin is in a high impedance state except during 8-bit PCM output. It is also in a high impedance state during power-saving state or power-down. When serial operation is selected, this pin is configured to be the output of the serial multiplexed two channel PCM signal. A pull-up resistor must



be connected to this pin , as it is an open drain output. This device is compatible with the ITU-T coding law and output coding format recommendation.

TABLE 7.15: PCM CODES FOR ZERO AND FULL SCALE

Level	μ-Law			A-Law		
	Sign bit	Chord bits	Step bits	Sign Bit	Chord Bits	Step Bits
+ Full Scale	1	000	0000	1	010	1010
+ Zero	1	111	1111	1	101	0101
- Zero	0	111	1111	0	101	0101
- Full Scale	0	000	0000	0	010	1010

7.1.3. PCMT2

The PCM signal output for channel 2 when the parallel mode is selected. The PCM output signal is sent from PCMT2 in a sequential order, synchronized with the rising edge of the BCLK signal. The MSB may be output at the rising edge of the FST signal, based on the timing between BCLK and FST. This pin is in a high impedance state except during 8-bit PCM output. It is also in a high impedance state during power-saving state or power-down. When the serial operation is selected, this pin is left open. A pull-up resistor must be connected to this pin , as it is an open drain output. This device is compatible with the ITU-T coding law and output coding format recommendation.

7.2. RECEIVE PATH

The 8-bit digital input samples for the D-to-A path are serially shifted in by the PCM interface and converted to parallel data bits. During every cycle of the frame sync FSR, the parallel data bits are fed through the pin-selectable μ-Law or A-Law expander and converted to analog samples. The mode of expansion is selected by the μ/A-Law pin as shown in Table 7.2. The analog samples are filtered by a low-pass smoothing filter with a 3.4 kHz cut-off frequency, according to the ITU-T G.712 specification. A sin(x)/x compensation is integrated with the low pass smoothing filter. The output of this filter is buffered to provide the receive output signal RO.

7.2.1. RO1, RO2

RO1 and RO2 are the receive analog outputs for channel 1 and channel 2. The output signal of the W682510 has an amplitude of 3.46 Vpp (2.03 Vpp for W682310) around the signal ground voltage (V_{REF}). When the digital PCM signal of +3 dBm0 is presented to PCMR1 or PCMR2, it can drive a load of 600 Ohms or more at 5 V supply voltage for the W682510 and 1200 Ohms at 3V supply for the W682310. During power saving mode, these outputs are at the voltage level of V_{REF} with a high impedance. These outputs have a feature that reduces audio “pop” noises when switching between active and inactive states and back.



7.2.2. PCMR1

The PCM signal input for channel 1 when in the parallel mode. D/A conversion is performed on the serial PCM signal input to this pin. The FSR signal, synchronous with the serial PCM signal, and the BCLK signal, processes the code. Then the analog output is output from the RO1 pin. The data rate of the PCM signal is equal to the frequency of the BCLK signal.

The PCM signal is shifted in on the falling edge of the BCLK signal. It is latched into the internal 8-bit register. The start of the PCM data (MSB) is synchronized with the rising edge of FSR. In the serial mode, this pin is not used and should be connected to GND (0V).

7.2.3. PCMR2

PCM signal input for channel 2 when the parallel mode is selected. D/A conversion is performed with the serial PCM signal input to this pin, the FSR signal, synchronous with the serial PCM signal, and the BCLK signal, and then the analog output is output from the RO2 pin. The data rate of the PCM signal is equal to the frequency of the BCLK signal. The PCM signal is shifted at the falling edge of the BCLK signal and latched into the internal register when shifted by eight bits. The start of the PCM data (MSB) is identified at the rising edge of FSR. In the serial mode this pin is used for the two channel multiplexed PCM signal input.

7.3. POWER SIGNALS

7.3.1. V_{DD}

The power supply for the analog and digital parts of the W682510 must be 5V +/- 10% and 2.7V to 3.8V for the W682310. This supply voltage is connected to the V_{DD} pin. The V_{DD} pin needs to be decoupled to ground through a 0.1 μ F ceramic capacitor. A power supply for an analog circuit in the system to which the device is applied should be used. A bypass capacitor of 0.1 μ F to 1 μ F with good high-frequency characteristics (Low ESR) and a capacitor of 10 μ F to 20 μ F should be connected between this pin and the V_{SSA} pin if needed.

7.3.2. V_{SSA}

Ground for the analog signal circuits. This ground is separate from the digital signal ground. The V_{SSA} pin must be connected to the V_{SSD} pin on the printed circuit board to make a common ground. However, it's advised to connect the PCB traces of these pins at the main supply hookup of the PCB and run the V_{SSA} and V_{SSD} traces separately to the device.

7.3.3. V_{SSD}

Ground for the digital signal circuits. This ground is separate from the analog signal ground. The V_{SSD} pin must be connected to the V_{SSA} pin on the printed circuit board to make a common ground. However, it's advised to connect the PCB traces of these pins at the main supply hookup of the PCB and run the V_{SSA} and V_{SSD} traces separately to the device



7.3.4. V_{REF}

This pin carries the signal ground voltage level and requires a bypass capacitor. A 0.1µF ceramic (with low ESR for good high frequency response) capacitor needs to be connected between the V_{SSA} pin and the V_{REF} pin.

7.3.5. PUI

Power up input signal. When the PUI pin is set to logic “0” level, the CODEC will go into power down mode.

7.4. PCM INTERFACE

The PCM interface is controlled by pins PCMMS, BCLK, FSR & FST. The input data is received through the PCMR pin and the output data is transmitted through the PCMT pin. The modes of operation of the interface are shown in Table 7.2.

TABLE 7.2: PCM INTERFACE MODE SELECTIONS

PCMMS	PCM Mode	Data Available
V _{DD} [HIGH]	Parallel Mode	CH1 data on PCMT1 & PCMR1 CH2 data on PCMT2 and PCMR2 (same timing as CH1)
V _{SS} [LOW]	Serial Mode	CH1 data followed by CH2 receive data on PCMR2 (total 16 bits) CH1 data followed by CH2 transmit data on PCMT1 (total 16 bits)

7.4.1. µ/A-Law

This pin selects the desired companding law. The CODEC will operate in the µ-law when this pin is at a logic “0” level and in the A-law when at a logic “1” level. The CODEC operates µ-law if the pin is left open, since this pin is internally pulled down.

TABLE 7.25: PIN-SELECTABLE COMPRESSION FORMAT

µ/A-Law pin	Format
HIGH (V _{DD})	A-Law
LOW (V _{SS}), Floating	µ-Law



7.4.2. BCLK

This is the shift clock signal input for the PCMR1, PCMR2, PCMT1, and PCMT2 signals. The frequency, equal to the data rate, is 64, 96, 128, 192, 256, 384, 512, 768, 1024, 1536, 1544, 2048 or 200 kHz. Setting this signal to a steady logic "1" or "0" sets both transmit and receive circuits to the power saving state.

7.4.3. FSR

This is the receive synchronizing signal input. The required eight-bits of PCM data are selected from the PCM data signal to the PCMR1 and PCMR2 pins by the receive synchronizing signal. All timing signals in the receive section are synchronized by this synchronizing signal. This signal must be in phase with the BCLK. The frequency should be $8 \text{ kHz} \pm 50 \text{ ppm}$ to guarantee the AC characteristics. This device can operate in the range of 6 kHz to 9 kHz, but the electrical characteristics specified in the data sheet are not guaranteed.

7.4.4. FST

The transmit synchronizing signal input. The PCM output signal from PCMT1 and PCMT2 is sent in synchronization with this transmit synchronizing signal. This FST signal triggers the PLL and synchronizes all timing signals of the transmit section. The synchronizing signal must be in phase with BCLK. The frequency should be $8 \text{ kHz} \pm 50 \text{ ppm}$ to guarantee the AC characteristics. This device can operate in the range of 6 kHz to 9 kHz sample rates, but the electrical characteristics are not guaranteed. Setting this signal to logic HIGH or LOW drives both transmit and receive circuits to power saving state.

7.4.5. PCMMS

The control signal for mode selection of the PCM input and output. When this signal is HIGH, the PCM input and output are in the parallel mode. The PCM data of CH1 and CH2 is input to PCMR1 and PCMR2, and output from PCMT1 and PCMT2, with the same timing. When this signal is at a LOW level, the PCM input and output are in the serial mode. The PCM data of CH1 and CH2 is input to PCMR2 and output from PCMT1 as two serial 8-bit bytes.

7.5. POWER STATE MODES

7.5.1. Power Save Mode

In the power save mode, all internal analog circuits except the internal reference are powered down. The CODEC automatically enters the power save mode when the FST or BCLK signal is set to digital "1" or digital "0";

Upon power up with FST and BCLK signals present, it will take 2 to 10 milliseconds for the internal PLL to lock. In addition to the PLL lock-in time, the analog outputs will be set to the internal signal ground for 1 millisecond. This will avoid power up glitches at the outputs. The digital open drain outputs will remain at high impedance during this power up delay.

**7.5.2. Power Down Mode**

When the power up indicator pin, PUI, is set LOW all internal circuits will go into the power down state. It will take 2 to 10 milliseconds for the PLL to lock when operation is resumed with the FST and BCLK signals applied and PUI set HIGH. An additional 1-millisecond delay is used to set the analog outputs to the signal ground reference in order to avoid power up glitches. The digital open drain outputs will remain at high impedance during this power up delay.

7.5.3. Power Save/Down Output pin state

The following table shows the states of the output pins in the power save or power down mode.

TABLE 7.5: OUTPUT PIN STATES

Product Name	Output Pin	
	AO1-, A02-	RO1, RO2
W682510	V _{SSA}	Signal Ground
W682310	High Z	Signal Ground



8. TIMING DIAGRAMS

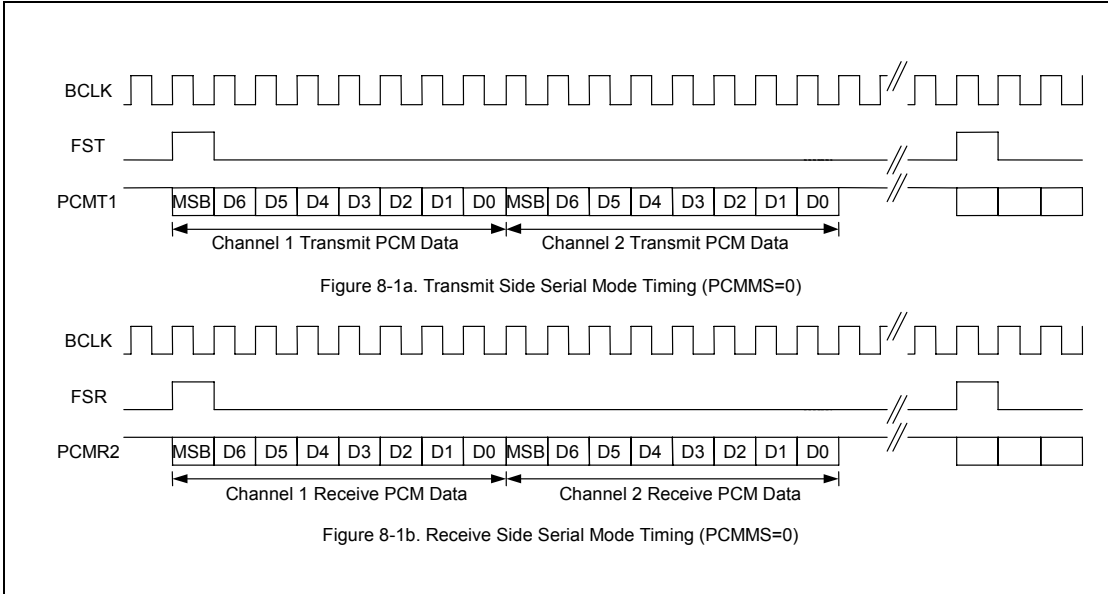


FIGURE 8.1: SERIAL MODE PCM TIMING

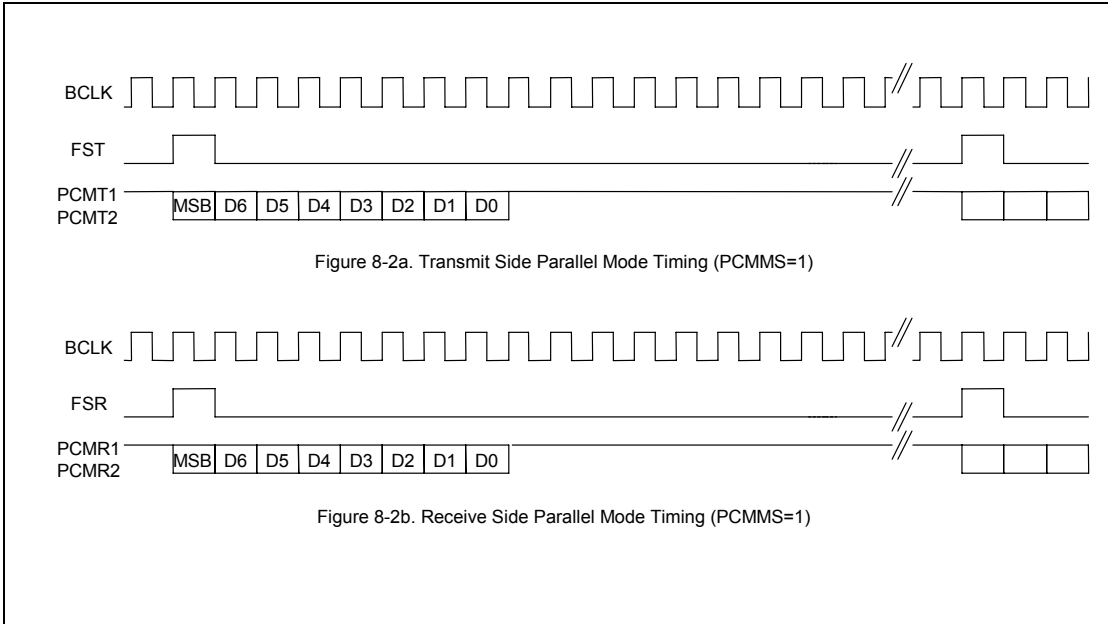


FIGURE 8.2: PARALLEL MODE PCM TIMING

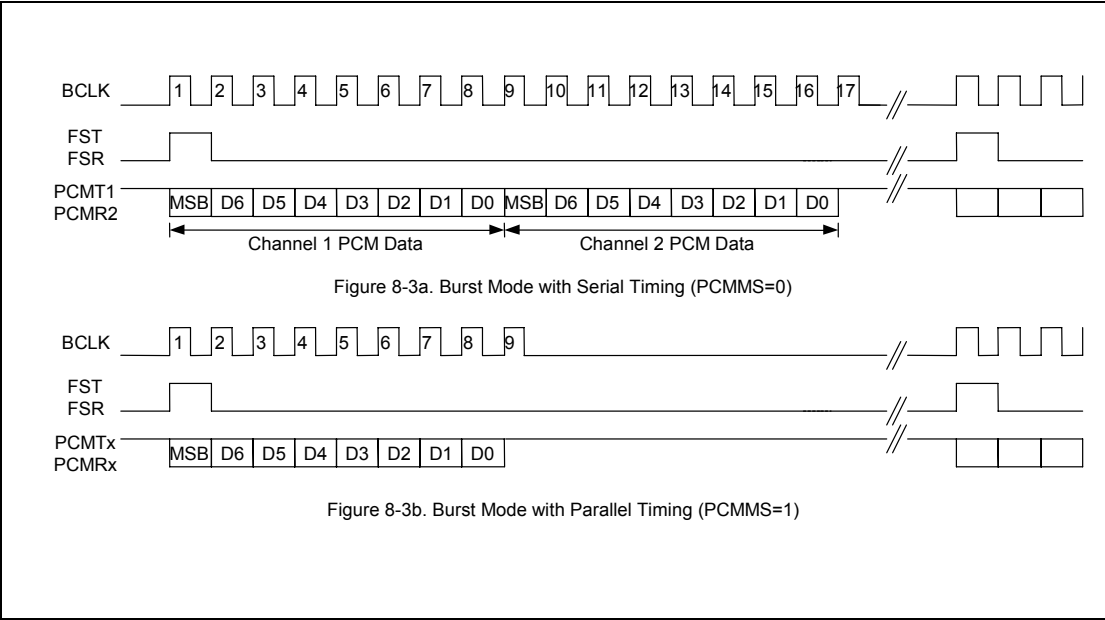


FIGURE 8.3: BURST MODE PCM TIMING



TABLE 8.1: PCM SYNCHRONIZATION PARAMETERS

SYMBOL	DESCRIPTION	MIN	TYP	MAX	UNIT
f_{FS}	FST, FSR frequency	---	8	---	KHz
t_{WS}	FST, FSR Pulse Width	1	---	7	T_{BCLK}
t_j	FST, FSR allowable jitter	0	---	500	nsec
f_{BCLK}	BCLK frequency	64, 128, 256, 512, 1024, 2048, 96, 192, 384, 768, 1536, 1544, 200			kHz
D_C	BCLK Duty Cycle	40	50	60	%
t_{ir}	FSR, FST, BCLK, PCMR1, PCMR2, PUI, PCMMS input rise time	---	---	50	nsec
t_{if}	FSR, FST, BCLK, PCMR1, PCMR2, PUI, PCMMS input fall time	---	---	50	nsec

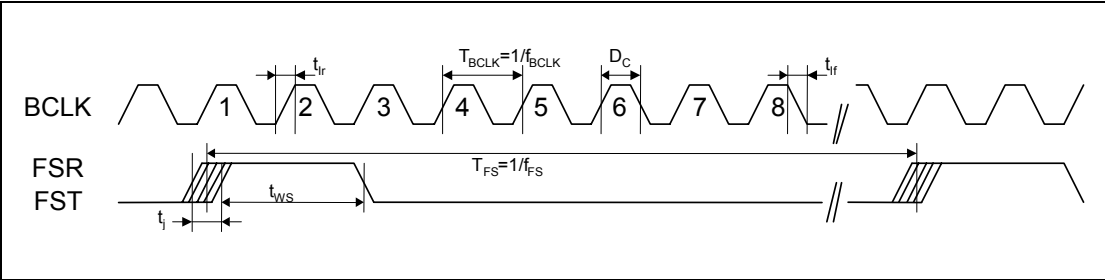


FIGURE 8.4: PCM SYNCHRONIZATION PARAMETERS



TABLE 8.2: PCM TIMING PARAMETERS

SYMBOL	DESCRIPTION	MIN	TYP	MAX	UNIT
t_{ws}	FST, FSR Pulse Width	T_{BCLK}	---	100 μ	sec
t_{xs}	BCLK low to FST high setup time	100	---	---	nsec
t_{sx}	FST high to BCLK low hold time	100	---	---	nsec
t_{sd}	PCMT1, PCMT2 output delay; CI = 100 pF	20	---	200	nsec
t_{xd1}	PCMT1, PCMT2 output delay; CI = 100 pF	20	---	200	nsec
t_{xd2}	PCMT1, PCMT2 output delay; CI = 100 pF	20	---	200	nsec
t_{xd3}	PCMT1, PCMT2 output delay; CI = 100 pF	20	---	200	nsec
t_{rs}	BCLK low to FSR high setup time	100	---	---	nsec
t_{sr}	FSR high to BCLK low hold time	100	---	---	nsec
t_{ds}	PCMR1, PCMR2 Data in setup time	100	---	---	nsec
t_{dh}	PCMR1, PCMR2 Data in hold time	100	---	---	nsec
R_{TL}	PCMT1, PCMT2 Pull-up resistor	500	---	---	Ohm
C_{TL}	PCMT1, PCMT2 Load capacitance	---	---	100	pF

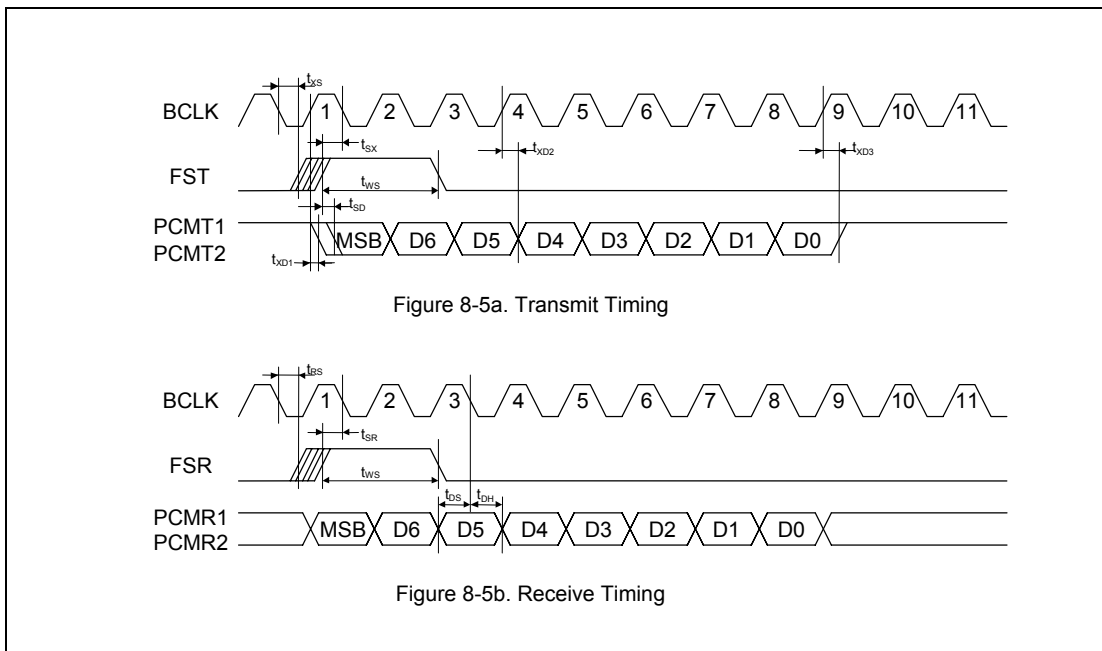


FIGURE 8.5 PCM TIMING PARAMETERS



9. ABSOLUTE MAXIMUM RATINGS

TABLE 9.1: ABSOLUTE MAXIMUM RATINGS (PACKAGED PARTS)

Condition	Value
Junction temperature	150 ⁰ C
Storage temperature range	-65 ⁰ C to +150 ⁰ C
Voltage Applied to any pin	(V _{SS} - 0.3V) to (V _{DD} + 0.3V)
Voltage applied to any pin (Input current limited to +/-20 mA)	(V _{SS} - 1.0V) to (V _{DD} + 1.0V)
Lead temperature (soldering – 10 seconds)	300 ⁰ C
V _{DD} - V _{SS}	-0.5V to +6V

Note: Exposure to conditions beyond those listed under Absolute Maximum Ratings may adversely affect the life and reliability of the device. Functional operation is not implied at these conditions.

TABLE 9.2: OPERATING CONDITIONS (PACKAGED PARTS)

Condition	Value
Industrial operating temperature	-40 ⁰ C to +85 ⁰ C
Supply voltage (V _{DD}) W682510 5V	+4.5V to +5.5V
Supply voltage (V _{DD}) W682310 3V	+2.7V to +3.8V
Ground voltage (V _{SS})	0V

W682510/W682310



10. ELECTRICAL CHARACTERISTICS

10.1. GENERAL PARAMETERS W682510 4.5V – 5.5V

Symbol	Parameters	Conditions	Min ⁽²⁾	Typ ⁽¹⁾	Max ⁽²⁾	Units
V _{IL}	Input Low Voltage		0.0		0.8	V
V _{IH}	Input High Voltage		2.2		V _{DD}	V
V _{OL}	PCMT1, PCMT2 Output Low Voltage	R _{pullup} >500 Ω	0.0	0.2	0.4	V
I _{DD}	V _{DD} Current (Operating) - ADC + DAC	No Load, No Signal		7	14	mA
I _{SB}	V _{DD} Current (Standby)	FST or BCLK =OFF; PUI=V _{DD}		800	1300	μA
I _{PD}	V _{DD} Current (Power Down)	PUI= V _{SS}		1	10	μA
I _{IL}	Input Low Leakage Current	V _{SS} <V _{IN} <V _{DD}			0.5	μA
I _{IH}	Input High Leakage Current	V _{SS} <V _{IN} <V _{DD}			2	μA
I _{OL}	PCMT1, PCMT2 Output Leakage Current	V _{SS} <PCMT<V _{DD} High Z State			+/-10	μA
C _{IN}	Digital Input Capacitance			5	10	pF
C _{OUT}	PCMT1, PCMT2 Output Capacitance	PCMT1, PCMT2 = High Z			15	pF

1. Typical values: T_A = 25°C, V_{DD} = 5.0 V
2. All min/max limits are guaranteed by Winbond via electrical testing or characterization. Not all specifications are 100 percent tested.

10.2. GENERAL PARAMETERS W682310 2.7V – 3.8V

Symbol	Parameters	Conditions	Min ⁽²⁾	Typ ⁽¹⁾	Max ⁽²⁾	Units
V _{IL}	Input Low Voltage		0.0		0.16xV _{DD}	V
V _{IH}	Input High Voltage		0.45xV _{DD}		V _{DD}	V
V _{OL}	PCMT1, PCMT2 Output Low Voltage	R _{pullup} >500 Ω	0.0	0.2	0.4	V
I _{DD}	V _{DD} Current (Operating) - ADC + DAC	No Load, No Signal		7.4	14	mA
I _{SB}	V _{DD} Current (Standby)	FST or BCLK =OFF; PUI=V _{DD}		700	2000	μA
I _{PD}	V _{DD} Current (Power Down)	PUI= V _{SS}		1	10	μA
I _{IL}	Input Low Leakage Current	V _{SS} <V _{IN} <V _{DD}			0.5	μA

W682510/W682310



Symbol	Parameters	Conditions	Min ⁽⁴⁾	Typ ⁽³⁾	Max ⁽⁴⁾	Units
I _{IH}	Input High Leakage Current	V _{SS} <V _{IN} <V _{DD}			2	μA
I _{OL}	PCMT1, PCMT2 Output Leakage Current	V _{SS} <PCMT<V _{DD} High Z State			+/-10	μA
C _{IN}	Digital Input Capacitance			5	10	pF
C _{OUT}	PCMT1, PCMT2 Output Capacitance	PCMT1, PCMT2 = High Z			15	pF

1. Typical values: T_A = 25°C, V_{DD} = 3.0 V
2. All min/max limits are guaranteed by Winbond via electrical testing or characterization. Not all specifications are 100 percent tested.

W682510/W682310



10.3. ANALOG SIGNAL LEVEL AND GAIN PARAMETERS

W682510: $V_{DD}=5V \pm 10\%$; $V_{SS}=0V$; $T_A=-40^\circ C$ to $+85^\circ C$; all analog signals referred to V_{REF} ;

W682310: $V_{DD}=2.7V$ to $3.8V$; $V_{SS}=0V$; $T_A=-40^\circ C$ to $+85^\circ C$; all analog signals referred to V_{REF} ;

PARAMETER	SYM.	CONDITION	TYP.	TRANSMIT (A/D)		RECEIVE (D/A)		UNIT
				MIN.	MAX.	MIN.	MAX.	
Reference Level Out W682510 5V	L_{ABS}	0 dBm0 = +0.8 dBm @ 600 Ω load 1020 Hz	0.850	---	---	---	---	V_{RMS}
Reference Level In W682510 5V	T_{OTLP}	1020 Hz	0.850	---	---	---	---	V_{RMS}
Reference Level Out W682310 3V	L_{ABS}	0 dBm0 = -3.8 dBm @ 1200 Ω load 1020 Hz	0.500	---	---	---	---	V_{RMS}
Reference Level Out W682310 3V	T_{OTLP}	1020 Hz	0.350	---	---	---	---	V_{RMS}
Max. Transmit Level In W682510 5V	T_{XMAX}	3.17 dBm0 for μ -Law 3.14 dBm0 for A-Law	1.732 1.726	---	---	---	---	V_{PK} V_{PK}
Max. Transmit Level In W682310 3V	T_{XMAX}	3.17 dBm0 for μ -Law 3.14 dBm0 for A-Law	0.712 0.708	---	---	---	---	V_{PK} V_{PK}
Absolute Gain (0 dBm0 @ 1020 Hz; $T_A=+25^\circ C$)	G_{ABS}	0 dBm0 @ 1020 Hz; $T_A=+25^\circ C$	0	-0.2	+0.2	-0.2	+0.2	dB
Absolute Gain variation with Temperature	G_{ABST}	$T_A=0^\circ C$ to $T_A=+70^\circ C$ $T_A=-40^\circ C$ to $T_A=+85^\circ C$	0	-0.08 -0.1	+0.08 +0.1	-0.08 -0.1	+0.08 +0.1	dB
Frequency Response, Relative to 0dBm0 @ 1020 Hz	G_{RTV}	15 Hz 50 Hz 60 Hz 200 Hz 300 to 3000 Hz 3300 Hz 3400 Hz 3600 Hz 4000 Hz 4600 Hz to 100 kHz	--- --- --- --- --- --- --- --- --- ---	--- --- --- -1.5 -0.20 -0.50 -0.8 --- --- ---	-40 -30 -20 -0.4 +0.20 +0.20 0 0 -14 -32	-0.5 -0.5 -0.5 -0.5 -0.20 -0.50 -0.8 --- ---	0 0 0 0 +0.20 +0.20 0 0 -14 -30	dB

W682510/W682310



Gain Variation vs. Level Tone (1020 Hz relative to -10 dBm0)	G _{LT}	+3 to -40 dBm0	---	-0.3	+0.3	-0.3	+0.3	DB
		-40 to -50 dBm0	---	-0.5	+0.5	-0.5	+0.5	
		-50 to -55 dBm0	---	-1.2	+1.2	-1.2	+1.2	

W682510/W682310



10.4. ANALOG DISTORTION AND NOISE PARAMETERS

W682510: $V_{DD}=5V \pm 10\%$; $V_{SS}=0V$; $T_A=-40^{\circ}C$ to $+85^{\circ}C$; all analog signals referred to V_{REF} ;

W682310: $V_{DD}=2.7V$ to $3.8V$; $V_{SS}=0V$; $T_A=-40^{\circ}C$ to $+85^{\circ}C$; all analog signals referred to V_{REF} ;

PARAMETER	SYM.	CONDITION	TRANSMIT (A/D)			RECEIVE (D/A)			UNIT
			MIN.	TYP.	MAX.	MIN.	TYP.	MAX.	
Total Distortion vs. Level Tone (1020 Hz, μ -Law, C-Message Weighted)	$D_{LT\mu}$	+3 dBm0	36	---	---	34	---	---	dBC
		0 dBm0 to -30 dBm0	36	---	---	36	---	---	
		-40 dBm0	29	---	---	30	---	---	
		-45 dBm0	25	---	---	25	---	---	
Total Distortion vs. Level Tone (1020 Hz, A-Law, Psophometric Weighted)	D_{LTA}	+3 dBm0	36	---	---	34	---	---	dBp
		0 dBm0 to -30 dBm0	36	---	---	36	---	---	
		-40 dBm0	29	---	---	30	---	---	
		-45 dBm0	25	---	---	25	---	---	
Spurious Out-Of-Band at RO- (300 Hz to 3400 Hz @ 0dBm0)	D_{SPO}	4600 Hz to 7600 Hz	---	---	---	---	---	-30	dB
		7600 Hz to 8400 Hz	---	---	---	---	---	-40	
		8400 Hz to 100000 Hz	---	---	---	---	---	-30	
Spurious In-Band (700 Hz to 1100 Hz @ 0dBm0)	D_{SPI}	300 to 3000 Hz	---	---	-47	---	---	-47	dB
Intermodulation Distortion (300 Hz to 3400 Hz -4 to -21 dBm0)	D_{IM}	Two tones	---	---	-41	---	---	-41	dB
Crosstalk (1020 Hz @ 0dBm0)	D_{XT}		---	---	-75	---	---	-75	dBm0
Channel to Channel Crosstalk (1020 Hz @ 0dBm0)	D_{XTCH}		---	---	-75	---	---	-75	dBm0
Absolute Group Delay	τ_{ABS}	1600 Hz	---	---	360	---	---	240	μ sec
Group Delay Distortion (relative to group delay @ 1200 Hz)	τ_D	500 Hz	---	---	750	---	---	750	μ sec
		600 Hz	---	---	380	---	---	370	
		1000 Hz	---	---	130	---	---	120	
		2600 Hz	---	---	130	---	---	120	
		2800 Hz	---	---	750	---	---	750	
Idle Channel Noise	N_{IDL}	μ -Law; C-message	---	---	5	---	---	13	dBmnc
		A-Law; Psophometric	---	---	-69	---	---	-79	dBm0p

W682510/W682310



10.5. ANALOG INPUT AND OUTPUT AMPLIFIER PARAMETERS

W682510: $V_{DD}=5V \pm 10\%$; $V_{SS}=0V$; $T_A=-40^{\circ}C$ to $+85^{\circ}C$; all analog signals referred to V_{REF} ;

W682310: $V_{DD}=2.7V$ to $3.8V$; $V_{SS}=0V$; $T_A=-40^{\circ}C$ to $+85^{\circ}C$; all analog signals referred to V_{REF} ;

PARAMETER	SYM.	CONDITION	MIN.	TYP.	MAX.	UNIT.
AI1, AI2 Input Offset Voltage	$V_{OFF,AI}$	Unity Gain	---	---	± 20	mV
AI1, AI2 Input Resistance	$R_{IN,AI}$	AI1, AI2 to V_{REF}	10	---	---	$M\Omega$
AO1-, AO2- Output Amplitude	V_{AD}	W682510 W682310	0	---	3.4 1.4	Vpp
AO1-, AO2- Load Resistance	R_{LOAD}		20	---	---	$k\Omega$
AO1-, AO2- Load Capacitance	C_{LOAD}	AO1-, AO2-	---	---	30	pF
RO1, RO2 Load Resistance	R_{LOAD}	W682510 W682310	0.6 1.2	---	---	$k\Omega$
RO1, RO2 Load Capacitance	C_{LOAD}	RO1, RO2	---	---	50	pF
RO1, RO2 Output Amplitude	V_{ORO}	W682510 W682310	---	---	3.4 2.0	Vpp
RO1, RO2 Output Offset Voltage	$V_{OFF,RO}$	RO to V_{REF}	---	---	± 100	mV
Signal Ground Voltage to V_{SSA}	V_{REF}		$V_{DD}/2 - 0.1$	$V_{DD}/2$	$V_{DD}/2 + 0.1$	V
Power Supply Rejection Ratio (0 to 100 kHz to V_{DD} , C-message)	PSRR	Transmit; 50 mVpp Receive; 50 mVpp	-- --	40 40	---	dBC



10.6. DIGITAL I/O

TABLE 10.61: μ -LAW ENCODE DECODE CHARACTERISTICS

Normalized Encode Decision Levels	Digital Code								Normalized Decode Levels
	D7	D6	D5	D4	D3	D2	D1	D0	
	Sign	Chord	Chord	Chord	Step	Step	Step	Step	
8159	1	0	0	0	0	0	0	0	8031
7903									:
4319	1	0	0	0	1	1	1	1	4191
4063									:
2143	1	0	0	1	1	1	1	1	2079
2015									:
1055	1	0	1	0	1	1	1	1	1023
991									:
511	1	0	1	1	1	1	1	1	495
479									:
239	1	1	0	0	1	1	1	1	231
223									:
103	1	1	0	1	1	1	1	1	99
95									:
35	1	1	1	0	1	1	1	1	33
31									:
3	1	1	1	1	1	1	1	0	2
1	1	1	1	1	1	1	1	1	0
0									

Notes:

Sign bit = 0 for negative values, sign bit = 1 for positive values



TABLE 10.62: A-LAW ENCODE DECODE CHARACTERISTICS

Normalized Encode Decision Levels	Digital Code								Normalized Decode Levels
	D7	D6	D5	D4	D3	D2	D1	D0	
	Sign	Chord	Chord	Chord	Step	Step	Step	Step	
4096	1	0	1	0	1	0	1	0	4032
3968									:
2048	1	0	1	0	0	1	0	1	2112
2048									:
1088	1	0	1	1	0	1	0	1	1056
1024									:
544	1	0	0	0	0	1	0	1	528
512									:
272	1	0	0	1	0	1	0	1	264
256									:
136	1	1	1	0	0	1	0	1	132
128									:
68	1	1	1	0	0	1	0	1	66
64									:
2	1	1	0	1	0	1	0	1	1
0									:

Notes:

1. Sign bit = 0 for negative values, sign bit = 1 for positive values
2. Digital code includes inversion of all even number bits



TABLE 10.63: PCM CODES FOR ZERO AND FULL SCALE

Level	μ -Law			A-Law		
	Sign bit (D7)	Chord bits (D6,D5,D4)	Step bits (D3,D2,D1,D0)	Sign bit (D7)	Chord bits (D6,D5,D4)	Step bits (D3,D2,D1,D0)
+ Full Scale	1	000	0000	1	010	1010
+ Zero	1	111	1111	1	101	0101
- Zero	0	111	1111	0	101	0101
- Full Scale	0	000	0000	0	010	1010

TABLE 10.64: PCM CODES FOR 0DBM0 OUTPUT

Sample	μ -Law			A-Law		
	Sign bit (D7)	Chord bits (D6,D5,D4)	Step bits (D3,D2,D1,D0)	Sign bit (D7)	Chord bits (D6,D5,D4)	Step bits (D3,D2,D1,D0)
1	0	001	1110	0	011	0100
2	0	000	1011	0	010	0001
3	0	000	1011	0	010	0001
4	0	001	1110	0	011	0100
5	1	001	1110	1	011	0100
6	1	000	1011	1	010	0001
7	1	000	1011	1	010	0001
8	1	001	1110	1	011	0100

W682510/W682310



11. TYPICAL APPLICATION CIRCUIT

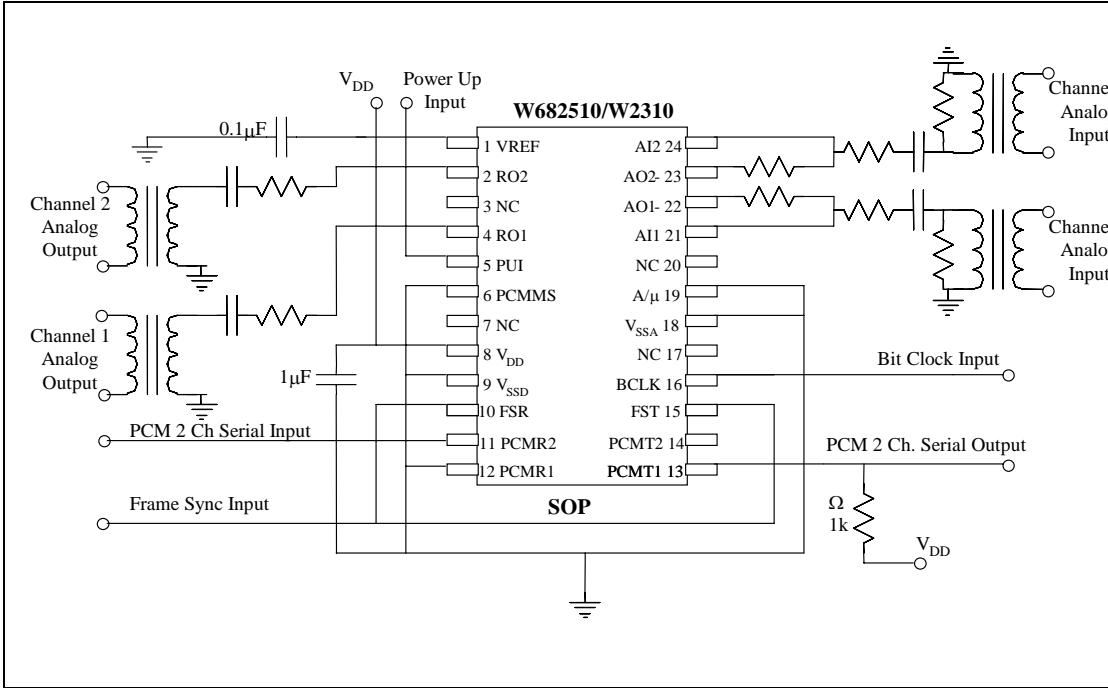


FIGURE 11.1: APPLICATION CIRCUIT FOR SERIAL MODE OPERATION

W682510/W682310

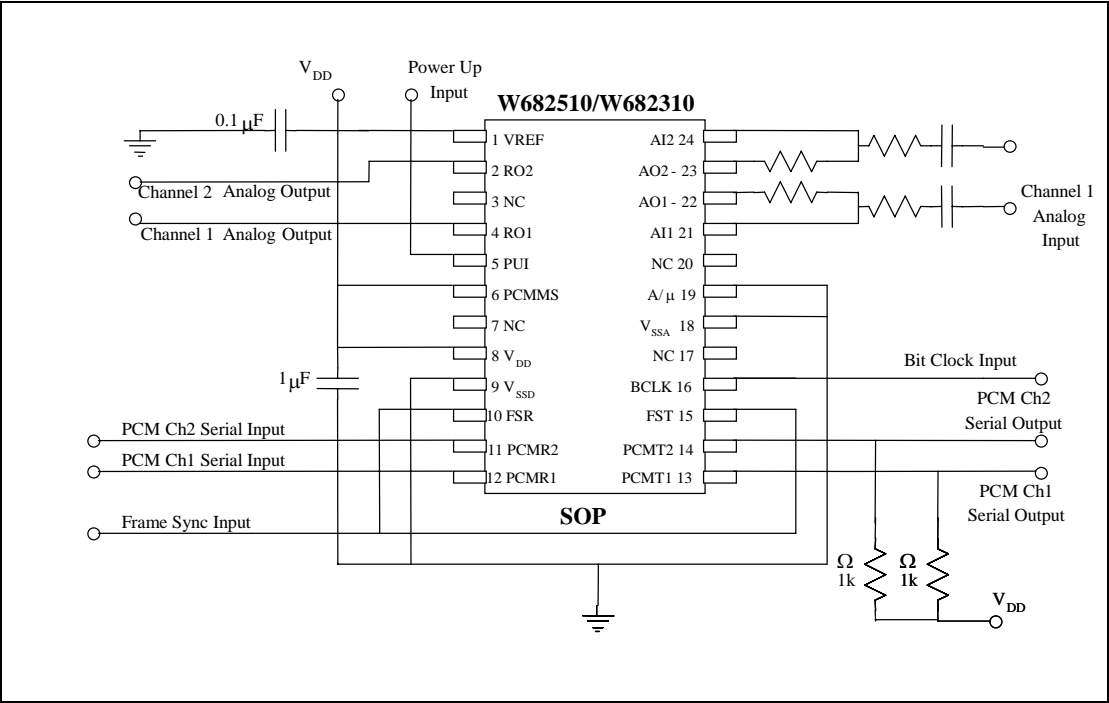


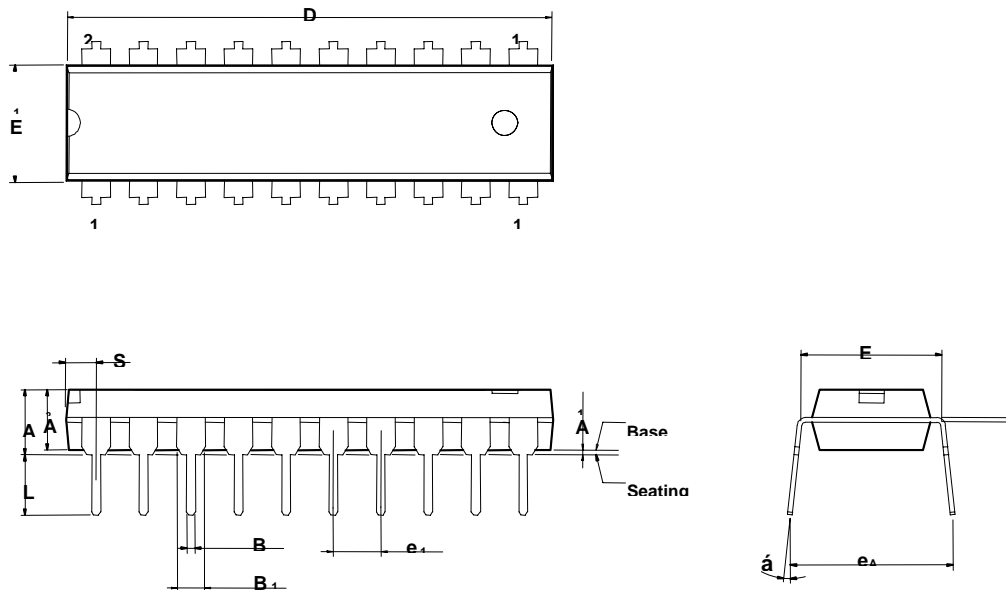
FIGURE 11.2: APPLICATION CIRCUIT FOR PARALLEL MODE OPERATION

W682510/W682310



12. PACKAGE DRAWING AND DIMENSIONS

12.1. 20L (PDIP) PLASTIC DUAL INLINE PACKAGE DIMENSIONS (W682510 ONLY)



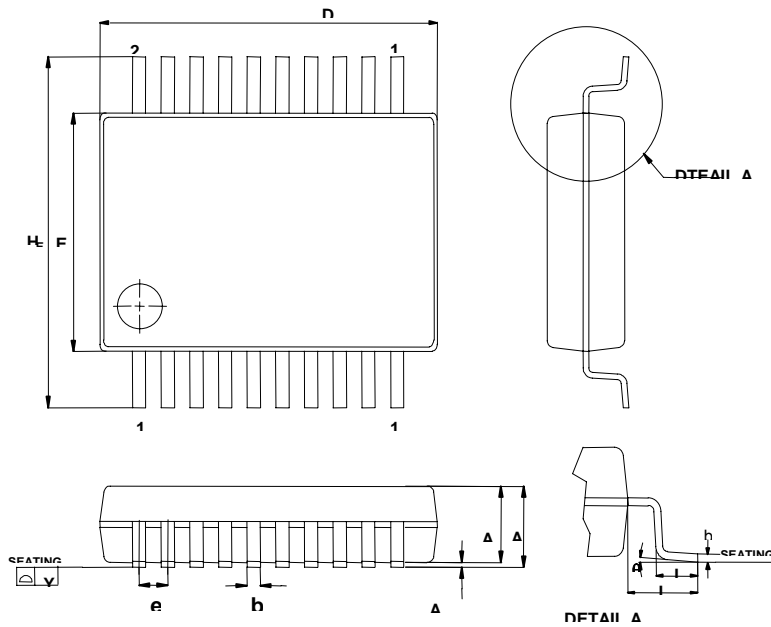
SYMBOL	DIMENSION (MM)			DIMENSION (INCH)		
	MIN.	NOM.	MAX.	MIN.	NOM.	MAX.
A	-	-	4.45	-	-	0.175
A ₁	0.25	-	-	0.010	-	-
A ₂	3.918	3.30	3.43	0.125	0.130	0.135
B	0.41	0.46	0.56	0.016	0.018	0.022
B ₁	1.47	1.52	1.63	0.058	0.060	0.064
c	0.20	0.25	0.36	0.008	0.010	0.014
D	-	20.06	26.42	-	1.026	1.046
E	7.37	7.62	7.87	0.290	0.300	0.310
E ₁	6.22	6.35	6.48	0.245	0.250	0.255
e ₁	2.29	2.54	2.79	0.090	0.100	0.110
L	3.05	3.30	3.56	0.120	0.130	0.140
á	0°	-	15°	0°	-	15°
e _A	8.51	9.02	9.53	0.335	0.355	0.375
S	-	-	1.91	-	-	0.075

Publication Release Date: April 2005
Revision A10

W682510/W682310



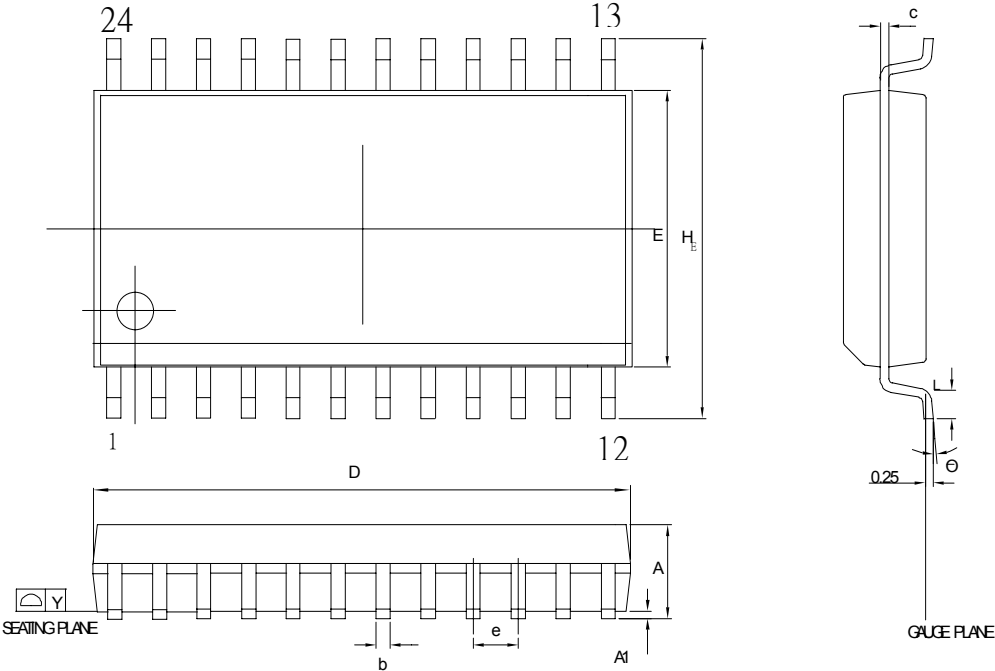
12.2. 20L SSOP – 209 MIL SHRINK SMALL OUTLINE PACKAGE DIMENSIONS



SYMBOL	DIMENSION (MM)			DIMENSION (INCH)		
	MIN.	NOM.	MAX.	MIN.	NOM.	MAX.
A	-	-	2.00	-	-	0.079
A1	0.05	-	-	0.002	-	-
A2	1.65	1.75	1.85	0.065	0.069	-
b	0.22	-	0.38	0.009	-	0.015
c	0.09	-	0.25	0.004	-	0.010
D	6.90	7.20	7.50	0.272	0.283	0.295
E	5.00	5.30	5.60	0.197	0.209	0.220
HE	7.40	7.80	8.20	0.291	0.307	0.323
e	-	0.65	-	-	0.0256	-
L	0.55	0.75	0.95	0.021	0.030	0.037
L1	-	1.25	-	-	0.050	-
Y	-	-	0.10	-	-	0.004
O	0°	-	8°	0	-	8°



12.3. 24 SOP – 300 MIL



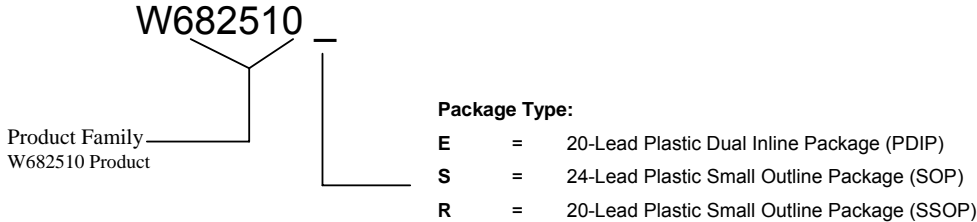
SYMBOL	DIMENSION (MM)		DIMENSION (INCH)	
	MIN.	MAX.	MIN.	MAX.
A	2.35	2.65	0.093	0.104
A1	0.10	0.30	0.004	0.012
b	0.33	0.51	0.013	0.020
c	0.23	0.32	0.009	0.013
E	7.40	7.60	0.291	0.299
D	15.20	15.60	0.598	0.614
e	1.27 BSC		0.050 BSC	
HE	10.00	10.65	0.394	0.419
Y		0.10		0.004
L	0.10	1.27	0.016	0.050
θ	0°	8°	0	8°

W682510/W682310



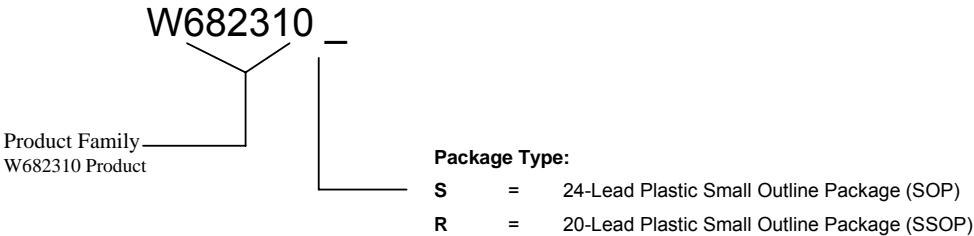
13. ORDERING INFORMATION

Product Number Descriptor Key



When ordering W682510 series devices, please refer to the following part numbers.

Part Number
W682510E
W682510S
W682510R



When ordering W682310 series devices, please refer to the following part numbers.

Part Number
W682310S
W682310R

For the latest product information, access Winbond's worldwide website at [HTTP://WWW.WINBOND-USA.COM](http://www.winbond-usa.com)



14. VERSION HISTORY

VERSION	DATE	PAGE	DESCRIPTION
0.31	Mar 2003	All	Preliminary Specifications
0.34	Apr. 2003		Updates
0.35	May 2003		Frequency response updated
A10	April 2005	35	Add Important Notice

Important Notice

Winbond products are not designed, intended, authorized or warranted for use as components in systems or equipment intended for surgical implantation, atomic energy control instruments, airplane or spaceship instruments, transportation instruments, traffic signal instruments, combustion control instruments, or for other applications intended to support or sustain life. Further more, Winbond products are not intended for applications wherein failure of Winbond products could result or lead to a situation wherein personal injury, death or severe property or environmental damage could occur.

Winbond customers using or selling these products for use in such applications do so at their own risk and agree to fully indemnify Winbond for any damages resulting from such improper use or sales.

Please note that all data and specifications are subject to change without notice.
All the trademarks of products and companies mentioned in this datasheet belong to their respective owners.