



**USE ULTRA37000™ FOR ALL NEW DESIGNS**

**PALC22V10B**

**Reprogrammable CMOS PAL® Device**

**Features**

- Advanced second generation PAL architecture
- Low power
  - 90 mA max. standard
  - 100 mA max. military
- CMOS EPROM technology for reprogrammability
- Variable product terms
  - 2 x (8 through 16) product terms
- User-programmable macrocell
  - Output polarity control
  - Individually selectable for registered or combinatorial operation
  - 15 ns commercial and industrial
    - 10 ns  $t_{CO}$
    - 10 ns  $t_S$
    - 15 ns  $t_{PD}$
    - 50 MHz
  - 15 ns and “20 ns” military
    - 10/15 ns  $t_{CO}$
    - 10/17 ns  $t_S$
    - 15/20 ns  $t_{PD}$
    - 50/31 MHz
- Up to 22 input terms and 10 outputs

**Enhanced test features**

- Phantom array
- Top test
- Bottom test
- Preload

**High reliability**

- Proven EPROM technology
- 100% programming and functional testing

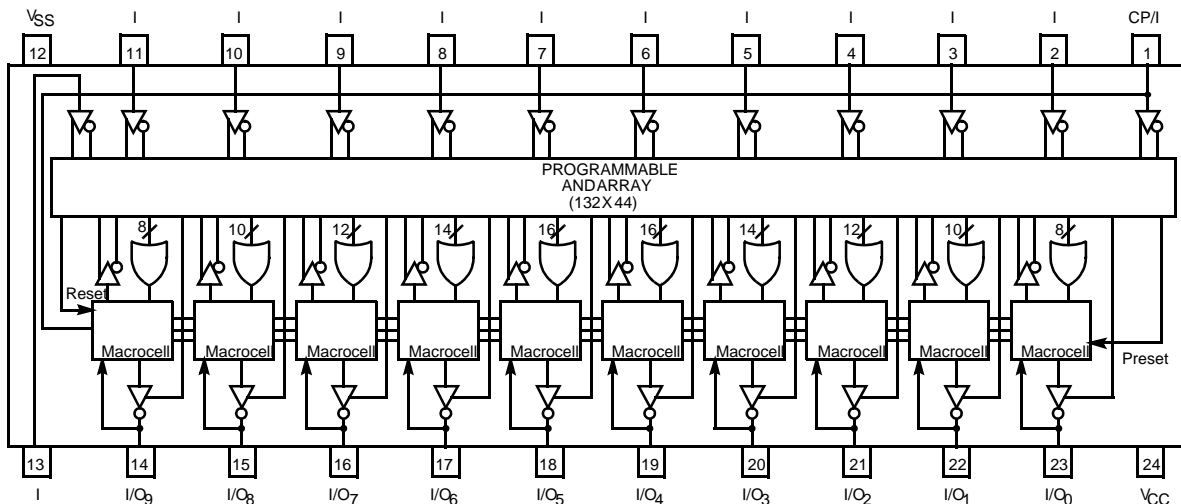
**Windowed DIP, windowed LCC, DIP, LCC, PLCC available**

**Functional Description**

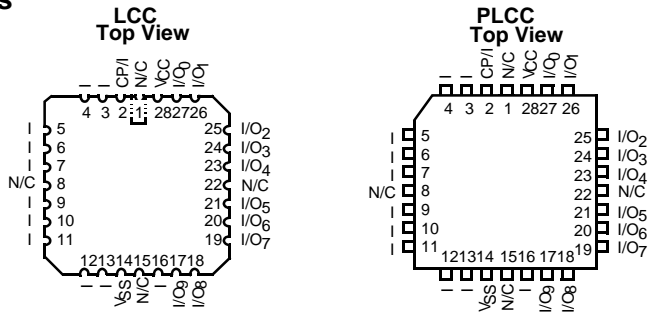
The Cypress PALC22V10B is a CMOS second-generation programmable logic array device. It is implemented with the familiar sum-of-products (AND-OR) logic structure and a new concept, the “Programmable Macrocell.”

The PALC22V10B is executed in a 24-pin 300-mil molded DIP, a 300-mil windowed cerDIP, a 28-lead square ceramic leadless chip carrier, a 28-lead square plastic leaded chip carrier, and provides up to 22 inputs and 10 outputs. When the windowed cerDIP is exposed to UV light, the 22V10B is erased and can then be reprogrammed. The programmable macrocell provides the capability of defining the architecture of each output individually. Each of the 10 potential outputs may be specified as “registered” or “combinatorial.” Polarity of each output may also be individually

**Logic Block Diagram (PDIP/CDIP)**



**Pin Configurations**



Ultra37000 is a trademark of Cypress Semiconductor Corporation. PAL is a registered trademark of Advanced Micro Devices, Inc. All products and company names mentioned in this document may be the trademarks of their respective holders.



**USE ULTRA37000™ FOR  
ALL NEW DESIGNS**

**PALC22V10B**

**Document History Page**

<b>Document Title: PALC22V10B Reprogrammable CMOS PAL® Device</b> <b>Document Number: 38-03018</b>				
<b>REV.</b>	<b>ECN NO.</b>	<b>Issue Date</b>	<b>Orig. of Change</b>	<b>Description of Change</b>
**	106318	05/08/01	SZV	Change from Spec number: 38-00195 to 38-03018
*A	213375	See ECN	FSG	Added note to title page: "Use Ultra37000 For All New Designs"