

## High-Performance 8-Bit CMOS EPROM/ROM Microcontroller

### Devices included in this data sheet:

- PIC17CR42
- PIC17C42A
- PIC17C43
- PIC17CR43
- PIC17C44
- PIC17C42†

### Microcontroller Core Features:

- Only 58 single word instructions to learn
- All single cycle instructions (121 ns) except for program branches and table reads/writes which are two-cycle
- Operating speed:
  - ★ - DC - 33 MHz clock input
  - DC - 121 ns instruction cycle

| Device    | Program Memory |     | Data Memory |
|-----------|----------------|-----|-------------|
|           | EPROM          | ROM |             |
| PIC17CR42 | -              | 2K  | 232         |
| PIC17C42A | 2K             | -   | 232         |
| PIC17C43  | 4K             | -   | 454         |
| PIC17CR43 | -              | 4K  | 454         |
| PIC17C44  | 8K             | -   | 454         |
| PIC17C42† | 2K             | -   | 232         |

- ★ • Hardware Multiplier (Not available on the PIC17C42)
- Interrupt capability
- 16 levels deep hardware stack
- Direct, indirect and relative addressing modes
- Internal/External program memory execution
- 64K x 16 addressable program memory space

### Peripheral Features:

- 33 I/O pins with individual direction control
- High current sink/source for direct LED drive
  - RA2 and RA3 are open drain, high voltage (12V), high current (60 mA), I/O
- Two capture inputs and two PWM outputs
  - Captures are 16-bit, max resolution 160 ns
  - PWM resolution is 1- to 10-bit
- TMR0: 16-bit timer/counter with 8-bit programmable prescaler
- TMR1: 8-bit timer/counter

†NOT recommended for new designs, use 17C42A.

### Pin Diagram



- TMR2: 8-bit timer/counter
- TMR3: 16-bit timer/counter
- Universal Synchronous Asynchronous Receiver Transmitter (USART/SCI)

### Special Microcontroller Features:

- Power-on Reset (POR), Power-up Timer (PWRT) and Oscillator Start-up Timer (OST)
- Watchdog Timer (WDT) with its own on-chip RC oscillator for reliable operation
- Code-protection
- Power saving SLEEP mode
- Selectable oscillator options

### CMOS Technology:

- Low-power, high-speed CMOS EPROM/ROM technology
- Fully static design
- Wide operating voltage range (2.5V to 6.0V)
- Commercial and Industrial Temperature Range
- Low-power consumption
  - < 5 mA @ 5V, 4 MHz
  - 100  $\mu$ A typical @ 4.5V, 32 kHz
  - < 1  $\mu$ A typical standby current @ 5V

# PIC17C4X

## Pin Diagrams Cont'd



## Table of Contents

|      |   |     |
|------|---|-----|
| 1.0  | Overview .....  | 5   |
| 2.0  | PIC17C4X Device Varieties .....   | 7   |
| 3.0  | Architectural Overview .....  | 9   |
| 4.0  | Reset .....   | 15  |
| 5.0  | Interrupts .....  | 21  |
| 6.0  | Memory Organization .....   | 29  |
| 7.0  | Table Reads and Table Writes.....   | 43  |
| 8.0  | Hardware Multiplier .....   | 49  |
| 9.0  | I/O Ports .....   | 53  |
| 10.0 | Overview of Timer Resources .....   | 65  |
| 11.0 | Timer0 .....  | 67  |
| 12.0 | Timer1, Timer2, Timer3, PWMs and Captures.....                              | 71  |
| 13.0 | Universal Synchronous Asynchronous Receiver Transmitter (USART) Module..... | 83  |
| 14.0 | Special Features of the CPU.....  | 99  |
| 15.0 | Instruction Set Summary .....   | 107 |
| 16.0 | Development Support.....  | 143 |
| 17.0 | PIC17C42 Electrical Characteristics .....                                   | 147 |
| 18.0 | PIC17C42 DC and AC Characteristics.....                                     | 163 |
| 19.0 | PIC17CR42/42A/43/R43/44 Electrical Characteristics.....                     | 175 |
| 20.0 | PIC17CR42/42A/43/R43/44 DC and AC Characteristics .....                     | 193 |
| 21.0 | Packaging Information.....  | 205 |
|      | Appendix A: Modifications .....   | 211 |
|      | Appendix B: Compatibility.....  | 211 |
|      | Appendix C: What's New .....  | 212 |
|      | Appendix D: What's Changed.....   | 212 |
|      | Appendix E: PIC16/17 Microcontrollers.....                                  | 213 |
|      | Appendix F: Errata for PIC17C42 Silicon .....                               | 223 |
|      | Index .....   | 226 |
|      | PIC17C4X Product Identification System .....                                | 237 |

For register and module descriptions in this data sheet, device legends show which devices apply to those sections. For example, the legend below shows that some features of only the PIC17C43, PIC17CR43, PIC17C44 are described in this section.

| Applicable Devices |     |     |    |     |    |
|--------------------|-----|-----|----|-----|----|
| 42                 | R42 | 42A | 43 | R43 | 44 |

### ***To Our Valued Customers***

We constantly strive to improve the quality of all our products and documentation. We have spent an exceptional amount of time to ensure that these documents are correct. However, we realize that we may have missed a few things. If you find any information that is missing or appears in error from the previous version of the PIC17C4X Data Sheet (Literature Number DS30412B), please use the reader response form in the back of this data sheet to inform us. We appreciate your assistance in making this a better document.

To assist you in the use of this document, Appendix C contains a list of new information in this data sheet, while Appendix D contains information that has changed

# PIC17C4X

---

NOTES:

## 1.0 OVERVIEW

This data sheet covers the PIC17C4X group of the PIC17CXX family of microcontrollers. The following devices are discussed in this data sheet:

- PIC17C42
- PIC17CR42
- PIC17C42A
- PIC17C43
- PIC17CR43
- PIC17C44

The PIC17CR42, PIC17C42A, PIC17C43, PIC17CR43, and PIC17C44 devices include architectural enhancements over the PIC17C42. These enhancements will be discussed throughout this data sheet.

The PIC17C4X devices are 40/44-Pin, EPROM/ROM-based members of the versatile PIC17CXX family of low-cost, high-performance, CMOS, fully-static, 8-bit microcontrollers.

All PIC16/17 microcontrollers employ an advanced RISC architecture. The PIC17CXX has enhanced core features, 16-level deep stack, and multiple internal and external interrupt sources. The separate instruction and data buses of the Harvard architecture allow a 16-bit wide instruction word with a separate 8-bit wide data. The two stage instruction pipeline allows all instructions to execute in a single cycle, except for program branches (which require two cycles). A total of 55 instructions (reduced instruction set) are available in the PIC17C42 and 58 instructions in all the other devices. Additionally, a large register set gives some of the architectural innovations used to achieve a very high performance. For mathematical intensive applications all devices, except the PIC17C42, have a single cycle 8 x 8 Hardware Multiplier.

PIC17CXX microcontrollers typically achieve a 2:1 code compression and a 4:1 speed improvement over other 8-bit microcontrollers in their class.

PIC17C4X devices have up to 454 bytes of RAM and 33 I/O pins. In addition, the PIC17C4X adds several peripheral features useful in many high performance applications including:

- Four timer/counters
- Two capture inputs
- Two PWM outputs
- A Universal Synchronous Asynchronous Receiver Transmitter (USART)

These special features reduce external components, thus reducing cost, enhancing system reliability and reducing power consumption. There are four oscillator options, of which the single pin RC oscillator provides a low-cost solution, the LF oscillator is for low frequency crystals and minimizes power consumption, XT is a standard crystal, and the EC is for external clock input. The SLEEP (power-down) mode offers additional

power saving. The user can wake-up the chip from SLEEP through several external and internal interrupts and device resets.

There are four configuration options for the device operational modes:

- Microprocessor
- Microcontroller
- Extended microcontroller
- Protected microcontroller

The microprocessor and extended microcontroller modes allow up to 64K-words of external program memory.

A highly reliable Watchdog Timer with its own on-chip RC oscillator provides protection against software malfunction.

Table 1-1 lists the features of the PIC17C4X devices.

A UV-erasable Cerdip-packaged version is ideal for code development while the cost-effective One-Time Programmable (OTP) version is suitable for production in any volume.

The PIC17C4X fits perfectly in applications ranging from precise motor control and industrial process control to automotive, instrumentation, and telecom applications. Other applications that require extremely fast execution of complex software programs or the flexibility of programming the software code as one of the last steps of the manufacturing process would also be well suited. The EPROM technology makes customization of application programs (with unique security codes, combinations, model numbers, parameter storage, etc.) fast and convenient. Small footprint package options make the PIC17C4X ideal for applications with space limitations that require high performance. High speed execution, powerful peripheral features, flexible I/O, and low power consumption all at low cost make the PIC17C4X ideal for a wide range of embedded control applications.

### 1.1 Family and Upward Compatibility

Those users familiar with the PIC16C5X and PIC16CXX families of microcontrollers will see the architectural enhancements that have been implemented. These enhancements allow the device to be more efficient in software and hardware requirements. Please refer to Appendix A for a detailed list of enhancements and modifications. Code written for PIC16C5X or PIC16CXX can be easily ported to PIC17CXX family of devices (Appendix B).

### 1.2 Development Support

The PIC17CXX family is supported by a full-featured macro assembler, a software simulator, an in-circuit emulator, a universal programmer, a "C" compiler, and fuzzy logic support tools.

# PIC17C4X

**TABLE 1-1: PIC17CXX FAMILY OF DEVICES**

| Features                           |         | PIC17C42                                 | PIC17CR42   | PIC17C42A   | PIC17C43  | PIC17CR43   | PIC17C44  |
|------------------------------------|---------|--|---|---|---|---|---|
| Maximum Frequency of Operation     |         | 25 MHz                                   | 33 MHz  | 33 MHz  | 33 MHz  | 33 MHz  | 33 MHz  |
| Operating Voltage Range            |         | 4.5 - 5.5V                               | 2.5 - 6.0V  | 2.5 - 6.0V  | 2.5 - 6.0V  | 2.5 - 6.0V  | 2.5 - 6.0V  |
| Program Memory x16                 | (EPROM) | 2K                                       | -   | 2K  | 4K  | -   | 8K  |
|                                    | (ROM)   | -  | 2K  | -   | -   | 4K  | -   |
| Data Memory (bytes)                |         | 232                                      | 232   | 232   | 454   | 454   | 454   |
| Hardware Multiplier (8 x 8)        |         | -  | Yes   | Yes   | Yes   | Yes   | Yes   |
| Timer0 (16-bit + 8-bit postscaler) |         | Yes                                      | Yes   | Yes   | Yes   | Yes   | Yes   |
| Timer1 (8-bit)                     |         | Yes                                      | Yes   | Yes   | Yes   | Yes   | Yes   |
| Timer2 (8-bit)                     |         | Yes                                      | Yes   | Yes   | Yes   | Yes   | Yes   |
| Timer3 (16-bit)                    |         | Yes                                      | Yes   | Yes   | Yes   | Yes   | Yes   |
| Capture inputs (16-bit)            |         | 2  | 2   | 2   | 2   | 2   | 2   |
| PWM outputs (up to 10-bit)         |         | 2  | 2   | 2   | 2   | 2   | 2   |
| USART/SCI                          |         | Yes                                      | Yes   | Yes   | Yes   | Yes   | Yes   |
| Power-on Reset                     |         | Yes                                      | Yes   | Yes   | Yes   | Yes   | Yes   |
| Watchdog Timer                     |         | Yes                                      | Yes   | Yes   | Yes   | Yes   | Yes   |
| External Interrupts                |         | Yes                                      | Yes   | Yes   | Yes   | Yes   | Yes   |
| Interrupt Sources                  |         | 11                                       | 11  | 11  | 11  | 11  | 11  |
| Program Memory Code Protect        |         | Yes                                      | Yes   | Yes   | Yes   | Yes   | Yes   |
| I/O Pins                           |         | 33                                       | 33  | 33  | 33  | 33  | 33  |
| I/O High Current Capability        | Source  | 25 mA                                    | 25 mA   | 25 mA   | 25 mA   | 25 mA   | 25 mA   |
|                                    | Sink    | 25 mA <sup>(1)</sup>                     | 25 mA <sup>(1)</sup>                                    | 25 mA <sup>(1)</sup>                                    | 25 mA <sup>(1)</sup>                                    | 25 mA <sup>(1)</sup>                                    | 25 mA <sup>(1)</sup>                                    |
| Package Types                      |         | 40-pin DIP<br>44-pin PLCC<br>44-pin MQFP | 40-pin DIP<br>44-pin PLCC<br>44-pin MQFP<br>44-pin TQFP | 40-pin DIP<br>44-pin PLCC<br>44-pin MQFP<br>44-pin TQFP | 40-pin DIP<br>44-pin PLCC<br>44-pin MQFP<br>44-pin TQFP | 40-pin DIP<br>44-pin PLCC<br>44-pin MQFP<br>44-pin TQFP | 40-pin DIP<br>44-pin PLCC<br>44-pin MQFP<br>44-pin TQFP |

Note 1: Pins RA2 and RA3 can sink up to 60 mA.

## 2.0 PIC17C4X DEVICE VARIETIES

A variety of frequency ranges and packaging options are available. Depending on application and production requirements, the proper device option can be selected using the information in the PIC17C4X Product Selection System section at the end of this data sheet. When placing orders, please use the "PIC17C4X Product Identification System" at the back of this data sheet to specify the correct part number.

For the PIC17C4X family of devices, there are four device "types" as indicated in the device number:

1. **C**, as in PIC17**C**42. These devices have EPROM type memory and operate over the standard voltage range.
2. **LC**, as in PIC17**LC**42. These devices have EPROM type memory, operate over an extended voltage range, and reduced frequency range.
3. **CR**, as in PIC17**CR**42. These devices have ROM type memory and operate over the standard voltage range.
4. **LCR**, as in PIC17**LCR**42. These devices have ROM type memory, operate over an extended voltage range, and reduced frequency range.

### 2.1 UV Erasable Devices

The UV erasable version, offered in CERDIP package, is optimal for prototype development and pilot programs.

The UV erasable version can be erased and reprogrammed to any of the configuration modes. Microchip's PRO MATE™ programmer supports programming of the PIC17C4X. Third party programmers also are available; refer to the *Third Party Guide* for a list of sources.

### 2.2 One-Time-Programmable (OTP) Devices

The availability of OTP devices is especially useful for customers expecting frequent code changes and updates.

The OTP devices, packaged in plastic packages, permit the user to program them once. In addition to the program memory, the configuration bits must also be programmed.

### 2.3 Quick-Turnaround-Production (QTP) Devices

Microchip offers a QTP Programming Service for factory production orders. This service is made available for users who choose not to program a medium to high quantity of units and whose code patterns have stabilized. The devices are identical to the OTP devices but with all EPROM locations and configuration options already programmed by the factory. Certain code and prototype verification procedures apply before production shipments are available. Please contact your local Microchip Technology sales office for more details.

### 2.4 Serialized Quick-Turnaround Production (SQTP<sup>SM</sup>) Devices

Microchip offers a unique programming service where a few user-defined locations in each device are programmed with different serial numbers. The serial numbers may be random, pseudo-random or sequential.

Serial programming allows each device to have a unique number which can serve as an entry-code, password or ID number.

ROM devices do not allow serialization information in the program memory space.

For information on submitting ROM code, please contact your regional sales office.

### 2.5 Read Only Memory (ROM) Devices

Microchip offers masked ROM versions of several of the highest volume parts, thus giving customers a low cost option for high volume, mature products.

For information on submitting ROM code, please contact your regional sales office.

# PIC17C4X

---

NOTES:



## 3.0 ARCHITECTURAL OVERVIEW

The high performance of the PIC17C4X can be attributed to a number of architectural features commonly found in RISC microprocessors. To begin with, the PIC17C4X uses a modified Harvard architecture. This architecture has the program and data accessed from separate memories. So the device has a program memory bus and a data memory bus. This improves bandwidth over traditional von Neumann architecture, where program and data are fetched from the same memory (accesses over the same bus). Separating program and data memory further allows instructions to be sized differently than the 8-bit wide data word. PIC17C4X opcodes are 16-bits wide, enabling single word instructions. The full 16-bit wide program memory bus fetches a 16-bit instruction in a single cycle. A two-stage pipeline overlaps fetch and execution of instructions. Consequently, all instructions execute in a single cycle (121 ns @ 33 MHz), except for program branches and two special instructions that transfer data between program and data memory.

The PIC17C4X can address up to 64K x 16 of program memory space.

The **PIC17C42** and **PIC17C42A** integrate 2K x 16 of EPROM program memory on-chip, while the **PIC17CR42** has 2K x 16 of ROM program memory on-chip.

The **PIC17C43** integrates 4K x 16 of EPROM program memory, while the **PIC17CR43** has 4K x 16 of ROM program memory.

The **PIC17C44** integrates 8K x 16 EPROM program memory.

Program execution can be internal only (microcontroller or protected microcontroller mode), external only (microprocessor mode) or both (extended microcontroller mode). Extended microcontroller mode does not allow code protection.

The PIC17CXX can directly or indirectly address its register files or data memory. All special function registers, including the Program Counter (PC) and Working Register (WREG), are mapped in the data memory. The PIC17CXX has an orthogonal (symmetrical) instruction set that makes it possible to carry out any operation on any register using any addressing mode. This symmetrical nature and lack of 'special optimal situations' make programming with the PIC17CXX simple yet efficient. In addition, the learning curve is reduced significantly.

One of the PIC17CXX family architectural enhancements from the PIC16CXX family allows two file registers to be used in some two operand instructions. This allows data to be moved directly between two registers without going through the WREG register. This increases performance and decreases program memory usage.

The PIC17CXX devices contain an 8-bit ALU and working register. The ALU is a general purpose arithmetic unit. It performs arithmetic and Boolean functions between data in the working register and any register file.

The ALU is 8-bits wide and capable of addition, subtraction, shift, and logical operations. Unless otherwise mentioned, arithmetic operations are two's complement in nature.

The WREG register is an 8-bit working register used for ALU operations.

All PIC17C4X devices (except the PIC17C42) have an 8 x 8 hardware multiplier. This multiplier generates a 16-bit result in a single cycle.

Depending on the instruction executed, the ALU may affect the values of the Carry (C), Digit Carry (DC), and Zero (Z) bits in the STATUS register. The C and DC bits operate as a borrow and digit borrow out bit, respectively, in subtraction. See the **SUBLW** and **SUBWF** instructions for examples.

Although the ALU does not perform signed arithmetic, the Overflow bit (OV) can be used to implement signed math. Signed arithmetic is comprised of a magnitude and a sign bit. The overflow bit indicates if the magnitude overflows and causes the sign bit to change state. Signed math can have greater than 7-bit values (magnitude), if more than one byte is used. The use of the overflow bit only operates on bit6 (MSb of magnitude) and bit7 (sign bit) of the value in the ALU. That is, the overflow bit is not useful if trying to implement signed math where the magnitude, for example, is 11-bits. If the signed math values are greater than 7-bits (15-, 24- or 31-bit), the algorithm must ensure that the low order bytes ignore the overflow status bit.

Care should be taken when adding and subtracting signed numbers to ensure that the correct operation is executed. Example 3-1 shows an item that must be taken into account when doing signed arithmetic on an ALU which operates as an unsigned machine.

### EXAMPLE 3-1: SIGNED MATH

| Hex Value | Signed Value Math | Unsigned Value Math         |
|-----------|-------------------|-----------------------------|
| FFh       | -127              | 255                         |
| + 01h     | + 1               | + 1                         |
| = ?       | = -126 (FEh)      | = 0 (00h);<br>Carry bit = 1 |

Signed math requires the result in REG to be FEh (-126). This would be accomplished by subtracting one as opposed to adding one.

Simplified block diagrams are shown in Figure 3-1 and Figure 3-2. The descriptions of the device pins are listed in Table 3-1.

# PIC17C4X

FIGURE 3-1: PIC17C42 BLOCK DIAGRAM



**FIGURE 3-2: PIC17CR42/42A/43/R43/44 BLOCK DIAGRAM**



# PIC17C4X

**TABLE 3-1: PINOUT DESCRIPTIONS**

| Name        | DIP No. | PLCC No. | QFP No. | I/O/P Type | Buffer Type | Description  |
|-------------|---------|----------|---------|------------|-------------|--|
| OSC1/CLKIN  | 19      | 21       | 37      | I          | ST          | Oscillator input in crystal/resonator or RC oscillator mode. External clock input in external clock mode.  |
| OSC2/CLKOUT | 20      | 22       | 38      | O          | —           | Oscillator output. Connects to crystal or resonator in crystal oscillator mode. In RC oscillator or external clock modes OSC2 pin outputs CLKOUT which has one fourth the frequency of OSC1 and denotes the instruction cycle rate.  |
| MCLR/VPP    | 32      | 35       | 7       | I/P        | ST          | Master clear (reset) input/Programming Voltage (VPP) input. This is the active low reset input to the chip.  |
| RA0/INT     | 26      | 28       | 44      | I          | ST          | <p>PORTA is a bi-directional I/O Port except for RA0 and RA1 which are input only.</p> <p>RA0/INT can also be selected as an external interrupt input. Interrupt can be configured to be on positive or negative edge.</p> <p>RA1/T0CKI can also be selected as an external interrupt input, and the interrupt can be configured to be on positive or negative edge. RA1/T0CKI can also be selected to be the clock input to the Timer0 timer/counter.</p> <p>High voltage, high current, open drain input/output port pins.</p> <p>High voltage, high current, open drain input/output port pins.</p> <p>RA4/RX/DT can also be selected as the USART (SCI) Asynchronous Receive or USART (SCI) Synchronous Data.</p> <p>RA5/TX/CK can also be selected as the USART (SCI) Asynchronous Transmit or USART (SCI) Synchronous Clock.</p> |
| RA1/T0CKI   | 25      | 27       | 43      | I          | ST          |  |
| RA2         | 24      | 26       | 42      | I/O        | ST          |  |
| RA3         | 23      | 25       | 41      | I/O        | ST          |  |
| RA4/RX/DT   | 22      | 24       | 40      | I/O        | ST          |  |
| RA5/TX/CK   | 21      | 23       | 39      | I/O        | ST          |  |
| RB0/CAP1    | 11      | 13       | 29      | I/O        | ST          | <p>PORTB is a bi-directional I/O Port with software configurable weak pull-ups.</p> <p>RB0/CAP1 can also be the CAP1 input pin.</p> <p>RB1/CAP2 can also be the CAP2 input pin.</p> <p>RB2/PWM1 can also be the PWM1 output pin.</p> <p>RB3/PWM2 can also be the PWM2 output pin.</p> <p>RB4/TCLK12 can also be the external clock input to Timer1 and Timer2.</p> <p>RB5/TCLK3 can also be the external clock input to Timer3.</p>  |
| RB1/CAP2    | 12      | 14       | 30      | I/O        | ST          |  |
| RB2/PWM1    | 13      | 15       | 31      | I/O        | ST          |  |
| RB3/PWM2    | 14      | 16       | 32      | I/O        | ST          |  |
| RB4/TCLK12  | 15      | 17       | 33      | I/O        | ST          |  |
| RB5/TCLK3   | 16      | 18       | 34      | I/O        | ST          |  |
| RB6         | 17      | 19       | 35      | I/O        | ST          |  |
| RB7         | 18      | 20       | 36      | I/O        | ST          |  |
| RC0/AD0     | 2       | 3        | 19      | I/O        | TTL         | <p>PORTC is a bi-directional I/O Port.</p> <p>This is also the lower half of the 16-bit wide system bus in microprocessor mode or extended microcontroller mode. In multiplexed system bus configuration, these pins are address output as well as data input or output.</p>   |
| RC1/AD1     | 3       | 4        | 20      | I/O        | TTL         |  |
| RC2/AD2     | 4       | 5        | 21      | I/O        | TTL         |  |
| RC3/AD3     | 5       | 6        | 22      | I/O        | TTL         |  |
| RC4/AD4     | 6       | 7        | 23      | I/O        | TTL         |  |
| RC5/AD5     | 7       | 8        | 24      | I/O        | TTL         |  |
| RC6/AD6     | 8       | 9        | 25      | I/O        | TTL         |  |
| RC7/AD7     | 9       | 10       | 26      | I/O        | TTL         |  |

Legend: I = Input only; O = Output only; I/O = Input/Output; P = Power; — = Not Used; TTL = TTL input; ST = Schmitt Trigger input.

**TABLE 3-1: PINOUT DESCRIPTIONS**

| Name                 | DIP No. | PLCC No.       | QFP No.      | I/O/P Type | Buffer Type | Description  |
|----------------------|---------|----------------|--------------|------------|-------------|--|
| RD0/AD8              | 40      | 43             | 15           | I/O        | TTL         | PORTD is a bi-directional I/O Port.<br>This is also the upper byte of the 16-bit system bus in microprocessor mode or extended microprocessor mode or extended microcontroller mode. In multiplexed system bus configuration these pins are address output as well as data input or output.  |
| RD1/AD9              | 39      | 42             | 14           | I/O        | TTL         |  |
| RD2/AD10             | 38      | 41             | 13           | I/O        | TTL         |  |
| RD3/AD11             | 37      | 40             | 12           | I/O        | TTL         |  |
| RD4/AD12             | 36      | 39             | 11           | I/O        | TTL         |  |
| RD5/AD13             | 35      | 38             | 10           | I/O        | TTL         |  |
| RD6/AD14             | 34      | 37             | 9            | I/O        | TTL         |  |
| RD7/AD15             | 33      | 36             | 8            | I/O        | TTL         |  |
| RE0/ALE              | 30      | 32             | 4            | I/O        | TTL         | PORTE is a bi-directional I/O Port.<br>In microprocessor mode or extended microcontroller mode, it is the Address Latch Enable (ALE) output. Address should be latched on the falling edge of ALE output.<br>In microprocessor or extended microcontroller mode, it is the Output Enable ( $\overline{OE}$ ) control output (active low).<br>In microprocessor or extended microcontroller mode, it is the Write Enable ( $\overline{WR}$ ) control output (active low). |
| RE1/ $\overline{OE}$ | 29      | 31             | 3            | I/O        | TTL         |  |
| RE2/ $\overline{WR}$ | 28      | 30             | 2            | I/O        | TTL         |  |
| TEST                 | 27      | 29             | 1            | I          | ST          | Test mode selection control input. Always tie to Vss for normal operation.   |
| Vss                  | 10, 31  | 11, 12, 33, 34 | 5, 6, 27, 28 | P          |             | Ground reference for logic and I/O pins.   |
| VDD                  | 1       | 1, 44          | 16, 17       | P          |             | Positive supply for logic and I/O pins.  |

Legend: I = Input only; O = Output only; I/O = Input/Output; P = Power; — = Not Used; TTL = TTL input; ST = Schmitt Trigger input.

# PIC17C4X

## 3.1 Clocking Scheme/Instruction Cycle

The clock input (from OSC1) is internally divided by four to generate four non-overlapping quadrature clocks, namely Q1, Q2, Q3, and Q4. Internally, the program counter (PC) is incremented every Q1, and the instruction is fetched from the program memory and latched into the instruction register in Q4. The instruction is decoded and executed during the following Q1 through Q4. The clocks and instruction execution flow are shown in Figure 3-3.

## 3.2 Instruction Flow/Pipelining

An "Instruction Cycle" consists of four Q cycles (Q1, Q2, Q3, and Q4). The instruction fetch and execute are pipelined such that fetch takes one instruction cycle while decode and execute takes another instruction cycle. However, due to the pipelining, each instruction effectively executes in one cycle. If an instruction causes the program counter to change (e.g. `GOTO`) then two cycles are required to complete the instruction (Example 3-2).

A fetch cycle begins with the program counter incrementing in Q1.

In the execution cycle, the fetched instruction is latched into the "Instruction Register (IR)" in cycle Q1. This instruction is then decoded and executed during the Q2, Q3, and Q4 cycles. Data memory is read during Q2 (operand read) and written during Q4 (destination write).

**FIGURE 3-3: CLOCK/INSTRUCTION CYCLE**



**EXAMPLE 3-2: INSTRUCTION PIPELINE FLOW**



## 4.0 RESET

The PIC17CXX differentiates between various kinds of reset:

- Power-on Reset (POR)
- $\overline{\text{MCLR}}$  reset during normal operation
- WDT Reset (normal operation)

Some registers are not affected in any reset condition; their status is unknown on POR and unchanged in any other reset. Most other registers are forced to a "reset state" on Power-on Reset (POR), on  $\overline{\text{MCLR}}$  or WDT Reset and on  $\overline{\text{MCLR}}$  reset during SLEEP. They are not affected by a WDT Reset during SLEEP, since this reset is viewed as the resumption of normal operation. The  $\overline{\text{TO}}$  and  $\overline{\text{PD}}$  bits are set or cleared differently in different reset situations as indicated in Table 4-3. These bits are used in software to determine the nature of reset. See Table 4-4 for a full description of reset states of all registers.

**Note:** While the device is in a reset state, the internal phase clock is held in the Q1 state. Any processor mode that allows external execution will force the RE0/ALE pin as a low output and the RE1/ $\overline{\text{OE}}$  and RE2/ $\overline{\text{WR}}$  pins as high outputs.

A simplified block diagram of the on-chip reset circuit is shown in Figure 4-1.

## 4.1 Power-on Reset (POR), Power-up Timer (PWRT), and Oscillator Start-up Timer (OST)

### 4.1.1 POWER-ON RESET (POR)

The Power-on Reset circuit holds the device in reset until VDD is above the trip point (in the range of 1.4V - 2.3V). The PIC17C42 does not produce an internal reset when VDD declines. All other devices will produce an internal reset for both rising and falling VDD. To take advantage of the POR, just tie the  $\overline{\text{MCLR/VPP}}$  pin directly (or through a resistor) to VDD. This will eliminate external RC components usually needed to create Power-on Reset. A minimum rise time for VDD is required. See Electrical Specifications for details.

### 4.1.2 POWER-UP TIMER (PWRT)

The Power-up Timer provides a fixed 96 ms time-out (nominal) on power-up. This occurs from rising edge of the POR signal and after the first rising edge of  $\overline{\text{MCLR}}$  (detected high). The Power-up Timer operates on an internal RC oscillator. The chip is kept in RESET as long as the PWRT is active. In most cases the PWRT delay allows the VDD to rise to an acceptable level.

The power-up time delay will vary from chip to chip and to VDD and temperature. See DC parameters for details.

**FIGURE 4-1: SIMPLIFIED BLOCK DIAGRAM OF ON-CHIP RESET CIRCUIT**



# PIC17C4X

## 4.1.3 OSCILLATOR START-UP TIMER (OST)

The Oscillator Start-up Timer (OST) provides a 1024 oscillator cycle (1024Tosc) delay after  $\overline{\text{MCLR}}$  is detected high or a wake-up from SLEEP event occurs.

The OST time-out is invoked only for XT and LF oscillator modes on a Power-on Reset or a Wake-up from SLEEP.

The OST counts the oscillator pulses on the OSC1/CLKIN pin. The counter only starts incrementing after the amplitude of the signal reaches the oscillator input thresholds. This delay allows the crystal oscillator or resonator to stabilize before the device exits reset. The length of time-out is a function of the crystal/resonator frequency.

## 4.1.4 TIME-OUT SEQUENCE

On power-up the time-out sequence is as follows: First the internal POR signal goes high when the POR trip point is reached. If  $\overline{\text{MCLR}}$  is high, then both the OST and PWRT timers start. In general the PWRT time-out is longer, except with low frequency crystals/resonators. The total time-out also varies based on oscillator configuration. Table 4-1 shows the times that are associated with the oscillator configuration. Figure 4-2 and Figure 4-3 display these time-out sequences.

If the device voltage is not within electrical specification at the end of a time-out, the  $\overline{\text{MCLR}}/\text{VPP}$  pin must be held low until the voltage is within the device specification. The use of an external RC delay is sufficient for many of these applications.

**TABLE 4-1: TIME-OUT IN VARIOUS SITUATIONS**

| Oscillator Configuration | Power-up                      | Wake up from SLEEP | MCLR Reset |
|--------------------------|-------------------------------|--------------------|------------|
| XT, LF                   | Greater of: 96 ms or 1024Tosc | 1024Tosc           | —          |
| EC, RC                   | Greater of: 96 ms or 1024Tosc | —                  | —          |

The time-out sequence begins from the first rising edge of  $\overline{\text{MCLR}}$ .

Table 4-3 shows the reset conditions for some special registers, while Table 4-4 shows the initialization conditions for all the registers. The shaded registers (in Table 4-4) are for all devices except the PIC17C42. In the PIC17C42, the PRODH and PRODL registers are general purpose RAM.

**TABLE 4-2: STATUS BITS AND THEIR SIGNIFICANCE**

| $\overline{\text{TO}}$ | $\overline{\text{PD}}$ | Event  |
|------------------------|------------------------|--|
| 1                      | 1                      | Power-on Reset, $\overline{\text{MCLR}}$ Reset during normal operation, or CLRWDT instruction executed |
| 1                      | 0                      | $\overline{\text{MCLR}}$ Reset during SLEEP or interrupt wake-up from SLEEP                            |
| 0                      | 1                      | WDT Reset during normal operation  |
| 0                      | 0                      | WDT Reset during SLEEP   |

In Figure 4-2, Figure 4-3 and Figure 4-4,  $\text{TPWRT} > \text{TOST}$ , as would be the case in higher frequency crystals. For lower frequency crystals, (i.e., 32 kHz) TOST would be greater.

**TABLE 4-3: RESET CONDITION FOR THE PROGRAM COUNTER AND THE CPUSTA REGISTER**

| Event  | PCH:PCL         | CPUSTA     | OST Active |
|--|-----------------|------------|------------|
| Power-on Reset   | 0000h           | --11 11--  | Yes        |
| $\overline{\text{MCLR}}$ Reset during normal operation | 0000h           | --11 11--  | No         |
| $\overline{\text{MCLR}}$ Reset during SLEEP            | 0000h           | --11 10--  | Yes (2)    |
| WDT Reset during normal operation                      | 0000h           | --11 01--  | No         |
| WDT Reset during SLEEP (3)                             | 0000h           | --11 00--  | Yes (2)    |
| Interrupt wake-up from SLEEP                           | GLINTD is set   | PC + 1     | Yes (2)    |
|  | GLINTD is clear | PC + 1 (1) | Yes (2)    |

Legend: u = unchanged, x = unknown, - = unimplemented read as '0'.

Note 1: On wake-up, this instruction is executed. The instruction at the appropriate interrupt vector is fetched and then executed.

2: The OST is only active when the Oscillator is configured for XT or LF modes.

3: The Program Counter = 0, that is the device branches to the reset vector. This is different from the mid-range devices.



**FIGURE 4-2: TIME-OUT SEQUENCE ON POWER-UP ( $\overline{\text{MCLR}}$  TIED TO  $V_{\text{DD}}$ )**



**FIGURE 4-3: TIME-OUT SEQUENCE ON POWER-UP ( $\overline{\text{MCLR}}$  NOT TIED TO  $V_{\text{DD}}$ )**

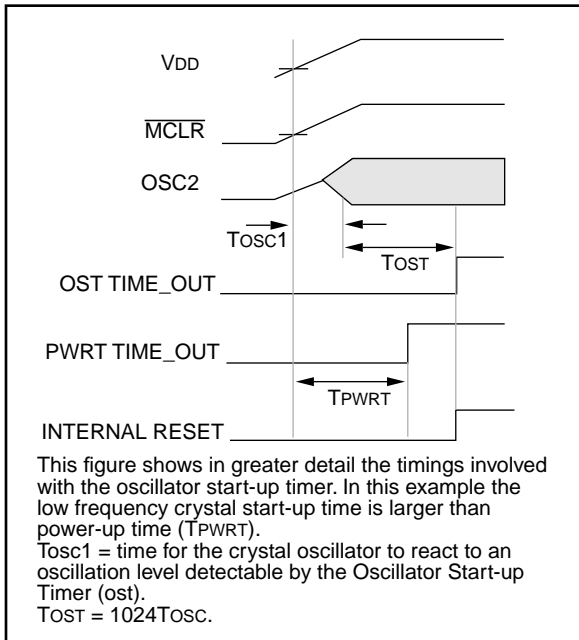


**FIGURE 4-4: SLOW RISE TIME ( $\overline{\text{MCLR}}$  TIED TO  $V_{\text{DD}}$ )**

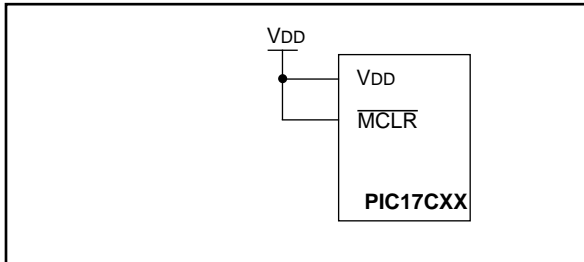


# PIC17C4X

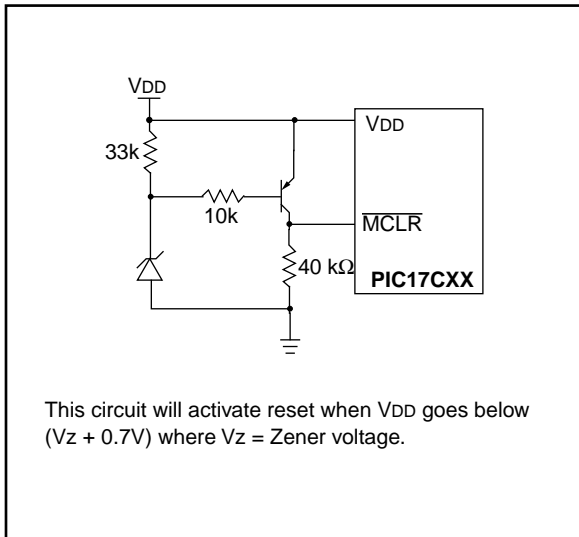
**FIGURE 4-5: OSCILLATOR START-UP TIME**



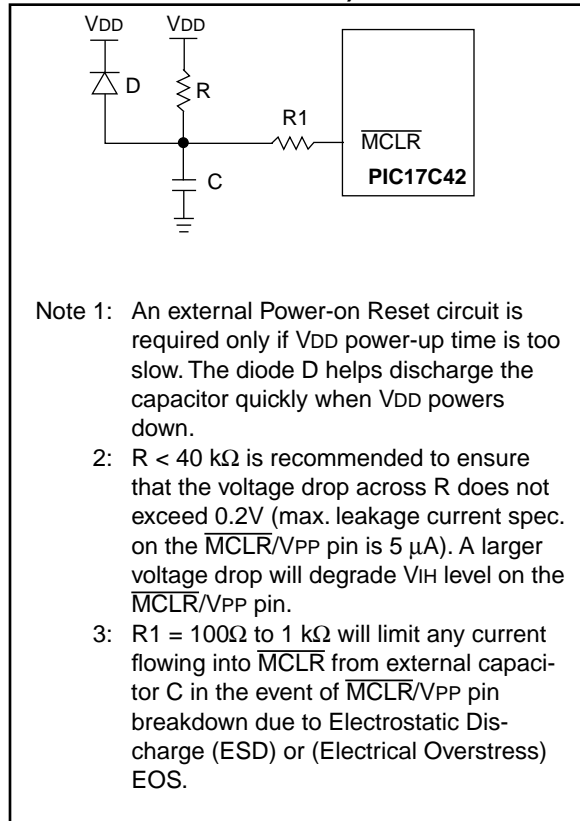
**FIGURE 4-6: USING ON-CHIP POR**



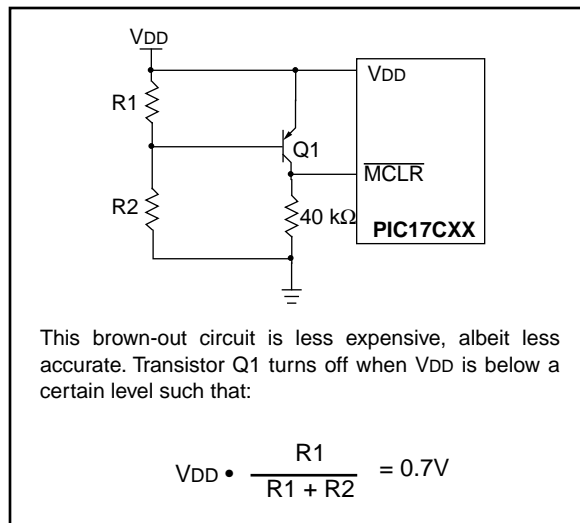
**FIGURE 4-7: BROWN-OUT PROTECTION CIRCUIT 1**



**FIGURE 4-8: PIC17C42 EXTERNAL POWER-ON RESET CIRCUIT (FOR SLOW VDD POWER-UP)**



**FIGURE 4-9: BROWN-OUT PROTECTION CIRCUIT 2**



**TABLE 4-4: INITIALIZATION CONDITIONS FOR SPECIAL FUNCTION REGISTERS**

| Register               | Address | Power-on Reset | MCLR Reset<br>WDT Reset | Wake-up from SLEEP<br>through interrupt |
|------------------------|---------|----------------|-------------------------|---|
| <b>Unbanked</b>        |         |                |                         |   |
| INDF0                  | 00h     | 0000 0000      | 0000 0000               | 0000 0000                               |
| FSR0                   | 01h     | xxxx xxxx      | uuuu uuuu               | uuuu uuuu                               |
| PCL                    | 02h     | 0000h          | 0000h                   | PC + 1 <sup>(2)</sup>                   |
| PCLATH                 | 03h     | 0000 0000      | 0000 0000               | uuuu uuuu                               |
| ALUSTA                 | 04h     | 1111 xxxx      | 1111 uuuu               | 1111 uuuu                               |
| T0STA                  | 05h     | 0000 000-      | 0000 000-               | 0000 000-                               |
| CPUSTA <sup>(3)</sup>  | 06h     | --11 11--      | --11 qq--               | --uu qq--                               |
| INTSTA                 | 07h     | 0000 0000      | 0000 0000               | uuuu uuuu <sup>(1)</sup>                |
| INDF1                  | 08h     | 0000 0000      | 0000 0000               | uuuu uuuu                               |
| FSR1                   | 09h     | xxxx xxxx      | uuuu uuuu               | uuuu uuuu                               |
| WREG                   | 0Ah     | xxxx xxxx      | uuuu uuuu               | uuuu uuuu                               |
| TMR0L                  | 0Bh     | xxxx xxxx      | uuuu uuuu               | uuuu uuuu                               |
| TMR0H                  | 0Ch     | xxxx xxxx      | uuuu uuuu               | uuuu uuuu                               |
| TBLPTRL <sup>(4)</sup> | 0Dh     | xxxx xxxx      | uuuu uuuu               | uuuu uuuu                               |
| TBLPTRH <sup>(4)</sup> | 0Eh     | xxxx xxxx      | uuuu uuuu               | uuuu uuuu                               |
| TBLPTRL <sup>(5)</sup> | 0Dh     | 0000 0000      | 0000 0000               | uuuu uuuu                               |
| TBLPTRH <sup>(5)</sup> | 0Eh     | 0000 0000      | 0000 0000               | uuuu uuuu                               |
| BSR                    | 0Fh     | 0000 0000      | 0000 0000               | uuuu uuuu                               |
| <b>Bank 0</b>          |         |                |                         |   |
| PORTA                  | 10h     | 0-xx xxxx      | 0-uu uuuu               | uuuu uuuu                               |
| DDRB                   | 11h     | 1111 1111      | 1111 1111               | uuuu uuuu                               |
| PORTB                  | 12h     | xxxx xxxx      | uuuu uuuu               | uuuu uuuu                               |
| RCSTA                  | 13h     | 0000 -00x      | 0000 -00u               | uuuu -uuu                               |
| RCREG                  | 14h     | xxxx xxxx      | uuuu uuuu               | uuuu uuuu                               |
| TXSTA                  | 15h     | 0000 --1x      | 0000 --1u               | uuuu --uu                               |
| TXREG                  | 16h     | xxxx xxxx      | uuuu uuuu               | uuuu uuuu                               |
| SPBRG                  | 17h     | xxxx xxxx      | uuuu uuuu               | uuuu uuuu                               |
| <b>Bank 1</b>          |         |                |                         |   |
| DDRC                   | 10h     | 1111 1111      | 1111 1111               | uuuu uuuu                               |
| PORTC                  | 11h     | xxxx xxxx      | uuuu uuuu               | uuuu uuuu                               |
| DDRD                   | 12h     | 1111 1111      | 1111 1111               | uuuu uuuu                               |
| PORTD                  | 13h     | xxxx xxxx      | uuuu uuuu               | uuuu uuuu                               |
| DDRE                   | 14h     | ---- -111      | ---- -111               | ---- -uuu                               |
| PORTE                  | 15h     | ---- -xxx      | ---- -uuu               | ---- -uuu                               |
| PIR                    | 16h     | 0000 0010      | 0000 0010               | uuuu uuuu <sup>(1)</sup>                |
| PIE                    | 17h     | 0000 0000      | 0000 0000               | uuuu uuuu                               |

Legend: u = unchanged, x = unknown, - = unimplemented read as '0', q = value depends on condition.

Note 1: One or more bits in INTSTA, PIR will be affected (to cause wake-up).

2: When the wake-up is due to an interrupt and the GLINTD bit is cleared, the PC is loaded with the interrupt vector.

3: See Table 4-3 for reset value of specific condition.

4: Only applies to the PIC17C42.

5: Does not apply to the PIC17C42.

# PIC17C4X

**TABLE 4-4: INITIALIZATION CONDITIONS FOR SPECIAL FUNCTION REGISTERS (Cont.'d)**

| Register             | Address | Power-on Reset | MCLR Reset<br>WDT Reset | Wake-up from SLEEP<br>through interrupt |
|----------------------|---------|----------------|-------------------------|---|
| <b>Bank 2</b>        |         |                |                         |   |
| TMR1                 | 10h     | xxxx xxxx      | uuuu uuuu               | uuuu uuuu                               |
| TMR2                 | 11h     | xxxx xxxx      | uuuu uuuu               | uuuu uuuu                               |
| TMR3L                | 12h     | xxxx xxxx      | uuuu uuuu               | uuuu uuuu                               |
| TMR3H                | 13h     | xxxx xxxx      | uuuu uuuu               | uuuu uuuu                               |
| PR1                  | 14h     | xxxx xxxx      | uuuu uuuu               | uuuu uuuu                               |
| PR2                  | 15h     | xxxx xxxx      | uuuu uuuu               | uuuu uuuu                               |
| PR3/CA1L             | 16h     | xxxx xxxx      | uuuu uuuu               | uuuu uuuu                               |
| PR3/CA1H             | 17h     | xxxx xxxx      | uuuu uuuu               | uuuu uuuu                               |
| <b>Bank 3</b>        |         |                |                         |   |
| PW1DCL               | 10h     | xx-- ----      | uu-- ----               | uu-- ----                               |
| PW2DCL               | 11h     | xx-- ----      | uu-- ----               | uu-- ----                               |
| PW1DCH               | 12h     | xxxx xxxx      | uuuu uuuu               | uuuu uuuu                               |
| PW2DCH               | 13h     | xxxx xxxx      | uuuu uuuu               | uuuu uuuu                               |
| CA2L                 | 14h     | xxxx xxxx      | uuuu uuuu               | uuuu uuuu                               |
| CA2H                 | 15h     | xxxx xxxx      | uuuu uuuu               | uuuu uuuu                               |
| TCON1                | 16h     | 0000 0000      | 0000 0000               | uuuu uuuu                               |
| TCON2                | 17h     | 0000 0000      | 0000 0000               | uuuu uuuu                               |
| <b>Unbanked</b>      |         |                |                         |   |
| PRODL <sup>(5)</sup> | 18h     | xxxx xxxx      | uuuu uuuu               | uuuu uuuu                               |
| PRODH <sup>(5)</sup> | 19h     | xxxx xxxx      | uuuu uuuu               | uuuu uuuu                               |

Legend: u = unchanged, x = unknown, - = unimplemented read as '0', q = value depends on condition.

Note 1: One or more bits in INTSTA, PIR will be affected (to cause wake-up).

- 2: When the wake-up is due to an interrupt and the GLINTD bit is cleared, the PC is loaded with the interrupt vector.
- 3: See Table 4-3 for reset value of specific condition.
- 4: Only applies to the PIC17C42.
- 5: Does not apply to the PIC17C42.

## 5.0 INTERRUPTS

The PIC17C4X devices have 11 sources of interrupt:

- External interrupt from the RA0/INT pin
- Change on RB7:RB0 pins
- TMR0 Overflow
- TMR1 Overflow
- TMR2 Overflow
- TMR3 Overflow
- USART Transmit buffer empty
- USART Receive buffer full
- Capture1
- Capture2
- T0CKI edge occurred

There are four registers used in the control and status of interrupts. These are:

- CPUSTA
- INTSTA
- PIE
- PIR

The CPUSTA register contains the GLINTD bit. This is the Global Interrupt Disable bit. When this bit is set, all interrupts are disabled. This bit is part of the controller core functionality and is described in the Memory Organization section.

When an interrupt is responded to, the GLINTD bit is automatically set to disable any further interrupt, the return address is pushed onto the stack and the PC is loaded with the interrupt vector address. There are four interrupt vectors. Each vector address is for a specific interrupt source (except the peripheral interrupts which have the same vector address). These sources are:

- External interrupt from the RA0/INT pin
- TMR0 Overflow
- T0CKI edge occurred
- Any peripheral interrupt

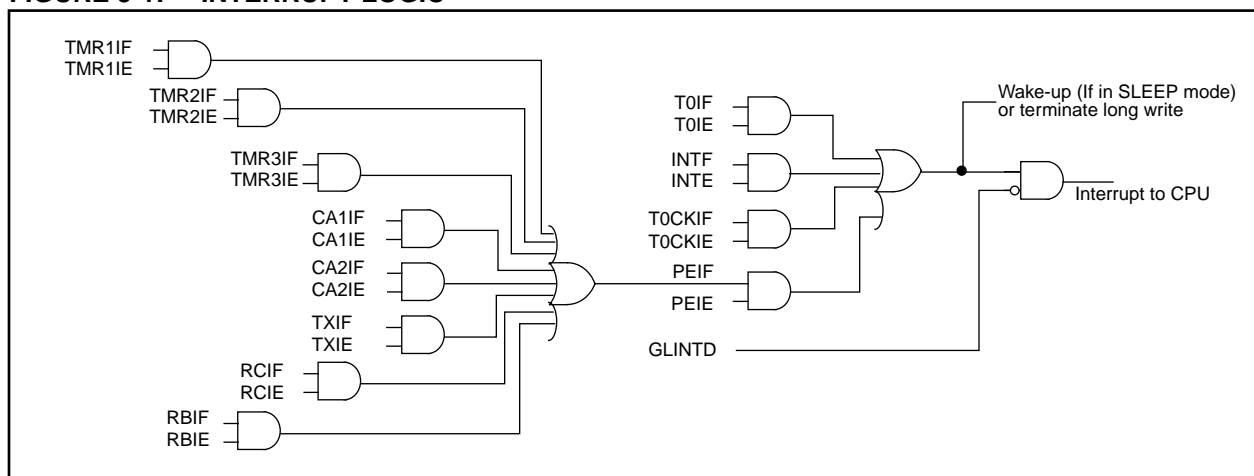
When program execution vectors to one of these interrupt vector addresses (except for the peripheral interrupt address), the interrupt flag bit is automatically cleared. Vectoring to the peripheral interrupt vector address does not automatically clear the source of the interrupt. In the peripheral interrupt service routine, the source(s) of the interrupt can be determined by testing the interrupt flag bits. The interrupt flag bit(s) must be cleared in software before re-enabling interrupts to avoid infinite interrupt requests.

All of the individual interrupt flag bits will be set regardless of the status of their corresponding mask bit or the GLINTD bit.

For external interrupt events, there will be an interrupt latency. For two cycle instructions, the latency could be one instruction cycle longer.

The “return from interrupt” instruction, `RETFIE`, can be used to mark the end of the interrupt service routine. When this instruction is executed, the stack is “POPped”, and the GLINTD bit is cleared (to re-enable interrupts).

**FIGURE 5-1: INTERRUPT LOGIC**



# PIC17C4X

## 5.1 Interrupt Status Register (INTSTA)

The Interrupt Status/Control register (INTSTA) records the individual interrupt requests in flag bits, and contains the individual interrupt enable bits (not for the peripherals).

The PEIF bit is a read only, bit wise OR of all the peripheral flag bits in the PIR register (Figure 5-4).

**Note:** TOIF, INTF, T0CKIF, or PEIF will be set by the specified condition, even if the corresponding interrupt enable bit is clear (interrupt disabled) or the GLINTD bit is set (all interrupts disabled).

Care should be taken when clearing any of the INTSTA register enable bits when interrupts are enabled (GLINTD is clear). If any of the INTSTA flag bits (TOIF, INTF, T0CKIF, or PEIF) are set in the same instruction cycle as the corresponding interrupt enable bit is cleared, the device will vector to the reset address (0x00).

When disabling any of the INTSTA enable bits, the GLINTD bit should be set (disabled).

**FIGURE 5-2: INTSTA REGISTER (ADDRESS: 07h, UNBANKED)**

|  | R - 0   | R/W - 0 | R/W - 0 | R/W - 0 | R/W - 0 | R/W - 0 | R/W - 0 | R/W - 0 |
|--|---|---------|---------|---------|---------|---------|---------|---------|
|  | PEIF  | T0CKIF  | TOIF    | INTF    | PEIE    | T0CKIE  | TOIE    | INTE    |
| bit7   |   |         |         |         |         |         |         | bit0    |
| <div style="border: 1px solid black; padding: 2px; display: inline-block; margin-top: 5px;">                     R = Readable bit<br/>                     W = Writable bit<br/>                     - n = Value at POR reset                 </div> |   |         |         |         |         |         |         |         |
| bit 7:   | <b>PEIF:</b> Peripheral Interrupt Flag bit<br>This bit is the OR of all peripheral interrupt flag bits AND'ed with their corresponding enable bits.<br>1 = A peripheral interrupt is pending<br>0 = No peripheral interrupt is pending  |         |         |         |         |         |         |         |
| bit 6:   | <b>T0CKIF:</b> External Interrupt on T0CKI Pin Flag bit<br>This bit is cleared by hardware, when the interrupt logic forces program execution to vector (18h).<br>1 = The software specified edge occurred on the RA1/T0CKI pin<br>0 = The software specified edge did not occur on the RA1/T0CKI pin |         |         |         |         |         |         |         |
| bit 5:   | <b>TOIF:</b> TMR0 Overflow Interrupt Flag bit<br>This bit is cleared by hardware, when the interrupt logic forces program execution to vector (10h).<br>1 = TMR0 overflowed<br>0 = TMR0 did not overflow  |         |         |         |         |         |         |         |
| bit 4:   | <b>INTF:</b> External Interrupt on INT Pin Flag bit<br>This bit is cleared by hardware, when the interrupt logic forces program execution to vector (08h).<br>1 = The software specified edge occurred on the RA0/INT pin<br>0 = The software specified edge did not occur on the RA0/INT pin         |         |         |         |         |         |         |         |
| bit 3:   | <b>PEIE:</b> Peripheral Interrupt Enable bit<br>This bit enables all peripheral interrupts that have their corresponding enable bits set.<br>1 = Enable peripheral interrupts<br>0 = Disable peripheral interrupts  |         |         |         |         |         |         |         |
| bit 2:   | <b>T0CKIE:</b> External Interrupt on T0CKI Pin Enable bit<br>1 = Enable software specified edge interrupt on the RA1/T0CKI pin<br>0 = Disable interrupt on the RA1/T0CKI pin  |         |         |         |         |         |         |         |
| bit 1:   | <b>TOIE:</b> TMR0 Overflow Interrupt Enable bit<br>1 = Enable TMR0 overflow interrupt<br>0 = Disable TMR0 overflow interrupt  |         |         |         |         |         |         |         |
| bit 0:   | <b>INTE:</b> External Interrupt on RA0/INT Pin Enable bit<br>1 = Enable software specified edge interrupt on the RA0/INT pin<br>0 = Disable software specified edge interrupt on the RA0/INT pin  |         |         |         |         |         |         |         |

## 5.2 Peripheral Interrupt Enable Register (PIE)

This register contains the individual flag bits for the Peripheral interrupts.

**FIGURE 5-3: PIE REGISTER (ADDRESS: 17h, BANK 1)**

| R/W - 0  | R/W - 0 | R/W - 0 | R/W - 0 | R/W - 0 | R/W - 0 | R/W - 0 | R/W - 0 |
|--|---------|---------|---------|---------|---------|---------|---------|
| RBIE   | TMR3IE  | TMR2IE  | TMR1IE  | CA2IE   | CA1IE   | TXIE    | RCIE    |
|  |         |         |         |         |         | bit0    |         |
| bit7   |         |         |         |         |         |         |         |
| bit 7: <b>RBIE:</b> PORTB Interrupt on Change Enable bit<br>1 = Enable PORTB interrupt on change<br>0 = Disable PORTB interrupt on change            |         |         |         |         |         |         |         |
| bit 6: <b>TMR3IE:</b> Timer3 Interrupt Enable bit<br>1 = Enable Timer3 interrupt<br>0 = Disable Timer3 interrupt                                     |         |         |         |         |         |         |         |
| bit 5: <b>TMR2IE:</b> Timer2 Interrupt Enable bit<br>1 = Enable Timer2 interrupt<br>0 = Disable Timer2 interrupt                                     |         |         |         |         |         |         |         |
| bit 4: <b>TMR1IE:</b> Timer1 Interrupt Enable bit<br>1 = Enable Timer1 interrupt<br>0 = Disable Timer1 interrupt                                     |         |         |         |         |         |         |         |
| bit 3: <b>CA2IE:</b> Capture2 Interrupt Enable bit<br>1 = Enable Capture interrupt on RB1/CAP2 pin<br>0 = Disable Capture interrupt on RB1/CAP2 pin  |         |         |         |         |         |         |         |
| bit 2: <b>CA1IE:</b> Capture1 Interrupt Enable bit<br>1 = Enable Capture interrupt on RB2/CAP1 pin<br>0 = Disable Capture interrupt on RB2/CAP1 pin  |         |         |         |         |         |         |         |
| bit 1: <b>TXIE:</b> USART Transmit Interrupt Enable bit<br>1 = Enable Transmit buffer empty interrupt<br>0 = Disable Transmit buffer empty interrupt |         |         |         |         |         |         |         |
| bit 0: <b>RCIE:</b> USART Receive Interrupt Enable bit<br>1 = Enable Receive buffer full interrupt<br>0 = Disable Receive buffer full interrupt      |         |         |         |         |         |         |         |

R = Readable bit  
W = Writable bit  
-n = Value at POR reset

# PIC17C4X

## 5.3 Peripheral Interrupt Request Register (PIR)

This register contains the individual flag bits for the peripheral interrupts.

**Note:** These bits will be set by the specified condition, even if the corresponding interrupt enable bit is cleared (interrupt disabled), or the GLINTD bit is set (all interrupts disabled). Before enabling an interrupt, the user may wish to clear the interrupt flag to ensure that the program does not immediately branch to the peripheral interrupt service routine.

**FIGURE 5-4: PIR REGISTER (ADDRESS: 16h, BANK 1)**

| R/W - 0   | R/W - 0 | R/W - 0 | R/W - 0 | R/W - 0 | R/W - 0 | R - 1 | R - 0 |
|---|---------|---------|---------|---------|---------|-------|-------|
| RBIF  | TMR3IF  | TMR2IF  | TMR1IF  | CA2IF   | CA1IF   | TXIF  | RCIF  |
|   |         |         |         |         |         | bit0  |       |
| <div style="border: 1px solid black; padding: 5px; margin-top: 10px;">                     R = Readable bit<br/>                     W = Writable bit<br/>                     -n = Value at POR reset                 </div>   |         |         |         |         |         |       |       |
| bit 7: <b>RBIF:</b> PORTB Interrupt on Change Flag bit<br>1 = One of the PORTB inputs changed (Software must end the mismatch condition)<br>0 = None of the PORTB inputs have changed   |         |         |         |         |         |       |       |
| bit 6: <b>TMR3IF:</b> Timer3 Interrupt Flag bit<br>If Capture1 is enabled ( $CA1/\overline{PR3} = 1$ )<br>1 = Timer3 overflowed<br>0 = Timer3 did not overflow<br>If Capture1 is disabled ( $CA1/\overline{PR3} = 0$ )<br>1 = Timer3 value has rolled over to 0000h from equalling the period register (PR3H:PR3L) value<br>0 = Timer3 value has not rolled over to 0000h from equalling the period register (PR3H:PR3L) value  |         |         |         |         |         |       |       |
| bit 5: <b>TMR2IF:</b> Timer2 Interrupt Flag bit<br>1 = Timer2 value has rolled over to 0000h from equalling the period register (PR2) value<br>0 = Timer2 value has not rolled over to 0000h from equalling the period register (PR2) value   |         |         |         |         |         |       |       |
| bit 4: <b>TMR1IF:</b> Timer1 Interrupt Flag bit<br>If Timer1 is in 8-bit mode (T16 = 0)<br>1 = Timer1 value has rolled over to 0000h from equalling the period register (PR) value<br>0 = Timer1 value has not rolled over to 0000h from equalling the period register (PR2) value<br>If Timer1 is in 16-bit mode (T16 = 1)<br>1 = TMR1:TMR2 value has rolled over to 0000h from equalling the period register (PR1:PR2) value<br>0 = TMR1:TMR2 value has not rolled over to 0000h from equalling the period register (PR1:PR2) value |         |         |         |         |         |       |       |
| bit 3: <b>CA2IF:</b> Capture2 Interrupt Flag bit<br>1 = Capture event occurred on RB1/CAP2 pin<br>0 = Capture event did not occur on RB1/CAP2 pin   |         |         |         |         |         |       |       |
| bit 2: <b>CA1IF:</b> Capture1 Interrupt Flag bit<br>1 = Capture event occurred on RB0/CAP1 pin<br>0 = Capture event did not occur on RB0/CAP1 pin   |         |         |         |         |         |       |       |
| bit 1: <b>TXIF:</b> USART Transmit Interrupt Flag bit<br>1 = Transmit buffer is empty<br>0 = Transmit buffer is full  |         |         |         |         |         |       |       |
| bit 0: <b>RCIF:</b> USART Receive Interrupt Flag bit<br>1 = Receive buffer is full<br>0 = Receive buffer is empty   |         |         |         |         |         |       |       |



## 5.4 Interrupt Operation

Global Interrupt Disable bit, GLINTD (CPUSTA<4>), enables all unmasked interrupts (if clear) or disables all interrupts (if set). Individual interrupts can be disabled through their corresponding enable bits in the INTSTA register. Peripheral interrupts need either the global peripheral enable PEIE bit disabled, or the specific peripheral enable bit disabled. Disabling the peripherals via the global peripheral enable bit, disables all peripheral interrupts. GLINTD is set on reset (interrupts disabled).

The `RETFIE` instruction allows returning from interrupt and re-enable interrupts at the same time.

When an interrupt is responded to, the GLINTD bit is automatically set to disable any further interrupt, the return address is pushed onto the stack and the PC is loaded with interrupt vector. There are four interrupt vectors to reduce interrupt latency.

The peripheral interrupt vector has multiple interrupt sources. Once in the peripheral interrupt service routine, the source(s) of the interrupt can be determined by polling the interrupt flag bits. The peripheral interrupt flag bit(s) must be cleared in software before re-enabling interrupts to avoid continuous interrupts.

The PIC17C4X devices have four interrupt vectors. These vectors and their hardware priority are shown in Table 5-1. If two enabled interrupts occur "at the same time", the interrupt of the highest priority will be serviced first. This means that the vector address of that interrupt will be loaded into the program counter (PC).

**TABLE 5-1: INTERRUPT VECTORS/PRIORITIES**

| Address | Vector                                       | Priority    |
|---------|--|-------------|
| 0008h   | External Interrupt on RA0/<br>INT pin (INTF) | 1 (Highest) |
| 0010h   | TMR0 overflow interrupt<br>(TOIF)            | 2           |
| 0018h   | External Interrupt on T0CKI<br>(T0CKIF)      | 3           |
| 0020h   | Peripherals (PEIF)                           | 4 (Lowest)  |

**Note 1:** Individual interrupt flag bits are set regardless of the status of their corresponding mask bit or the GLINTD bit.

**Note 2:** When disabling any of the INTSTA enable bits, the GLINTD bit should be set (disabled).

**Note 3:** For the PIC17C42 only:  
If an interrupt occurs while the Global Interrupt Disable (GLINTD) bit is being set, the GLINTD bit may unintentionally be re-enabled by the user's Interrupt Service Routine (the `RETFIE` instruction). The events that would cause this to occur are:

1. An interrupt occurs simultaneously with an instruction that sets the GLINTD bit.
2. The program branches to the Interrupt vector and executes the Interrupt Service Routine.
3. The Interrupt Service Routine completes with the execution of the `RETFIE` instruction. This causes the GLINTD bit to be cleared (enables interrupts), and the program returns to the instruction after the one which was meant to disable interrupts.

The method to ensure that interrupts are globally disabled is:

1. Ensure that the GLINTD bit was set by the instruction, as shown in the following code:

```

LOOP   BSF    CPUSTA, GLINTD ; Disable Global
        ; Interrupt
        BTFSS CPUSTA, GLINTD ; Global Interrupt
        ; Disabled?
        GOTO  LOOP          ; NO, try again
        ; YES, continue
        ; with program
        ; low
    
```

## 5.5 RA0/INT Interrupt

The external interrupt on the RA0/INT pin is edge triggered. Either the rising edge, if INTEDG bit (T0STA<7>) is set, or the falling edge, if INTEDG bit is clear. When a valid edge appears on the RA0/INT pin, the INTF bit (INTSTA<4>) is set. This interrupt can be disabled by clearing the INTE control bit (INTSTA<0>). The INT interrupt can wake the processor from SLEEP. See Section 14.4 for details on SLEEP operation.

## 5.6 TMR0 Interrupt

An overflow (FFFFh → 0000h) in TMR0 will set the T0IF (INTSTA<5>) bit. The interrupt can be enabled/disabled by setting/clearing the T0IE control bit (INTSTA<1>). For operation of the Timer0 module, see Section 11.0.

## 5.7 T0CKI Interrupt

The external interrupt on the RA1/T0CKI pin is edge triggered. Either the rising edge, if the T0SE bit (T0STA<6>) is set, or the falling edge, if the T0SE bit is clear. When a valid edge appears on the RA1/T0CKI pin, the T0CKIF bit (INTSTA<6>) is set. This interrupt can be disabled by clearing the T0CKIE control bit (INTSTA<2>). The T0CKI interrupt can wake up the processor from SLEEP. See Section 14.4 for details on SLEEP operation.

## 5.8 Peripheral Interrupt

The peripheral interrupt flag indicates that at least one of the peripheral interrupts occurred (PEIF is set). The PEIF bit is a read only bit, and is a bit wise OR of all the flag bits in the PIR register AND'ed with the corresponding enable bits in the PIE register. Some of the peripheral interrupts can wake the processor from SLEEP. See Section 14.4 for details on SLEEP operation.

**FIGURE 5-5: INT PIN / T0CKI PIN INTERRUPT TIMING**



## 5.9 Context Saving During Interrupts

During an interrupt, only the returned PC value is saved on the stack. Typically, users may wish to save key registers during an interrupt; e.g. WREG, ALUSTA and the BSR registers. This requires implementation in software.

Example 5-1 shows the saving and restoring of information for an interrupt service routine. The PUSH and POP routines could either be in each interrupt service routine or could be subroutines that were called. Depending on the application, other registers may also need to be saved, such as PCLATH.

### EXAMPLE 5-1: SAVING STATUS AND WREG IN RAM

```

;
; The addresses that are used to store the CPUTA and WREG values
; must be in the data memory address range of 18h - 1Fh. Up to
; 8 locations can be saved and restored using
; the MOVFP instruction. This instruction neither affects the status
; bits, nor corrupts the WREG register.
;
;
PUSH    MOVFP    WREG, TEMP_W           ; Save WREG
        MOVFP    ALUSTA, TEMP_STATUS ; Save ALUSTA
        MOVFP    BSR, TEMP_BSR        ; Save BSR

ISR     :
        :                               ; This is the interrupt service routine
        :
POP     MOVFP    TEMP_W, WREG           ; Restore WREG
        MOVFP    TEMP_STATUS, ALUSTA  ; Restore ALUSTA
        MOVFP    TEMP_BSR, BSR        ; Restore BSR
        RETFIE                          ; Return from Interrupts enabled

```

# PIC17C4X

---

NOTES:

## 6.0 MEMORY ORGANIZATION

There are two memory blocks in the PIC17C4X; program memory and data memory. Each block has its own bus, so that access to each block can occur during the same oscillator cycle.

The data memory can further be broken down into General Purpose RAM and the Special Function Registers (SFRs). The operation of the SFRs that control the "core" are described here. The SFRs used to control the peripheral modules are described in the section discussing each individual peripheral module.

### 6.1 Program Memory Organization

PIC17C4X devices have a 16-bit program counter capable of addressing a 64K x 16 program memory space. The reset vector is at 0000h and the interrupt vectors are at 0008h, 0010h, 0018h, and 0020h (Figure 6-1).

#### 6.1.1 PROGRAM MEMORY OPERATION

The PIC17C4X can operate in one of four possible program memory configurations. The configuration is selected by two configuration bits. The possible modes are:

- Microprocessor
- Microcontroller
- Extended Microcontroller
- Protected Microcontroller

The microcontroller and protected microcontroller modes only allow internal execution. Any access beyond the program memory reads unknown data. The protected microcontroller mode also enables the code protection feature.

The extended microcontroller mode accesses both the internal program memory as well as external program memory. Execution automatically switches between internal and external memory. The 16-bits of address allow a program memory range of 64K-words.

The microprocessor mode only accesses the external program memory. The on-chip program memory is ignored. The 16-bits of address allow a program memory range of 64K-words. Microprocessor mode is the default mode of an unprogrammed device.

The different modes allow different access to the configuration bits, test memory, and boot ROM. Table 6-1 lists which modes can access which areas in memory. Test Memory and Boot Memory are not required for normal operation of the device. Care should be taken to ensure that no unintended branches occur to these areas.

**FIGURE 6-1: PROGRAM MEMORY MAP AND STACK**



# PIC17C4X

**TABLE 6-1: MODE MEMORY ACCESS**

| Operating Mode            | Internal Program Memory | Configuration Bits, Test Memory, Boot ROM |
|---------------------------|-------------------------|---|
| Microprocessor            | No Access               | No Access                                 |
| Microcontroller           | Access                  | Access                                    |
| Extended Microcontroller  | Access                  | No Access                                 |
| Protected Microcontroller | Access                  | Access                                    |

The PIC17C4X can operate in modes where the program memory is off-chip. They are the microprocessor and extended microcontroller modes. The microprocessor mode is the default for an unprogrammed device.

Regardless of the processor mode, data memory is always on-chip.

**FIGURE 6-2: MEMORY MAP IN DIFFERENT MODES**



## 6.1.2 EXTERNAL MEMORY INTERFACE

When either microprocessor or extended microcontroller mode is selected, PORTC, PORTD and PORTE are configured as the system bus. PORTC and PORTD are the multiplexed address/data bus and PORTE is for the control signals. External components are needed to demultiplex the address and data. This can be done as shown in Figure 6-4. The waveforms of address and data are shown in Figure 6-3. For complete timings, please refer to the electrical specification section.

**FIGURE 6-3: EXTERNAL PROGRAM MEMORY ACCESS WAVEFORMS**



The system bus requires that there is no bus conflict (minimal leakage), so the output value (address) will be capacitively held at the desired value.

As the speed of the processor increases, external EPROM memory with faster access time must be used. Table 6-2 lists external memory speed requirements for a given PIC17C4X device frequency.

In extended microcontroller mode, when the device is executing out of internal memory, the control signals will continue to be active. That is, they indicate the action that is occurring in the internal memory. The external memory access is ignored.

This following selection is for use with Microchip EPROMs. For interfacing to other manufacturers memory, please refer to the electrical specifications of the desired PIC17C4X device, as well as the desired memory device to ensure compatibility.

**TABLE 6-2: EPROM MEMORY ACCESS TIME ORDERING SUFFIX**

| PIC17C4X Oscillator Frequency | Instruction Cycle Time (Tcy) | EPROM Suffix |                   |
|-------------------------------|------------------------------|--------------|-------------------|
|                               |                              | PIC17C42     | PIC17C43 PIC17C44 |
| 8 MHz                         | 500 ns                       | -25          | -25               |
| 16 MHz                        | 250 ns                       | -12          | -15               |
| 20 MHz                        | 200 ns                       | -90          | -10               |
| 25 MHz                        | 160 ns                       | N.A.         | -70               |
| 33 MHz                        | 121 ns                       | N.A.         | (1)               |

Note 1: The access times for this requires the use of fast SRAMS.

**Note:** The external memory interface is not supported for the LC devices.

**FIGURE 6-4: TYPICAL EXTERNAL PROGRAM MEMORY CONNECTION DIAGRAM**



Note 1: Use of I/O pins is only required for paged memory.

Note 2: This signal is unused for ROM and EPROM devices.

## 6.2 Data Memory Organization

Data memory is partitioned into two areas. The first is the General Purpose Registers (GPR) area, while the second is the Special Function Registers (SFR) area. The SFRs control the operation of the device.

Portions of data memory are banked, this is for both areas. The GPR area is banked to allow greater than 232 bytes of general purpose RAM. SFRs are for the registers that control the peripheral functions. Banking requires the use of control bits for bank selection. These control bits are located in the Bank Select Register (BSR). If an access is made to a location outside this banked region, the BSR bits are ignored. Figure 6-5 shows the data memory map organization for the PIC17C42 and Figure 6-6 for all of the other PIC17C4X devices.

Instructions `MOVPF` and `MOVFP` provide the means to move values from the peripheral area ("P") to any location in the register file ("F"), and vice-versa. The definition of the "P" range is from 0h to 1Fh, while the "F" range is 0h to FFh. The "P" range has six more locations than peripheral registers (eight locations for the PIC17C42 device) which can be used as General Purpose Registers. This can be useful in some applications where variables need to be copied to other locations in the general purpose RAM (such as saving status information during an interrupt).

The entire data memory can be accessed either directly or indirectly through file select registers FSR0 and FSR1 (Section 6.4). Indirect addressing uses the appropriate control bits of the BSR for accesses into the banked areas of data memory. The BSR is explained in greater detail in Section 6.8.

### 6.2.1 GENERAL PURPOSE REGISTER (GPR)

All devices have some amount of GPR area. The GPRs are 8-bits wide. When the GPR area is greater than 232, it must be banked to allow access to the additional memory space.

Only the PIC17C43 and PIC17C44 devices have banked memory in the GPR area. To facilitate switching between these banks, the `MOVLR` bank instruction has been added to the instruction set. GPRs are not initialized by a Power-on Reset and are unchanged on all other resets.

### 6.2.2 SPECIAL FUNCTION REGISTERS (SFR)

The SFRs are used by the CPU and peripheral functions to control the operation of the device (Figure 6-5 and Figure 6-6). These registers are static RAM.

The SFRs can be classified into two sets, those associated with the "core" function and those related to the peripheral functions. Those registers related to the "core" are described here, while those related to a peripheral feature are described in the section for each peripheral feature.

The peripheral registers are in the banked portion of memory, while the core registers are in the unbanked region. To facilitate switching between the peripheral banks, the `MOVLB` bank instruction has been provided.



**FIGURE 6-5: PIC17C42 REGISTER FILE MAP**

| Addr | Unbanked            |            |            |            |
|------|---------------------|------------|------------|------------|
| 00h  | INDF0               |            |            |            |
| 01h  | FSR0                |            |            |            |
| 02h  | PCL                 |            |            |            |
| 03h  | PCLATH              |            |            |            |
| 04h  | ALUSTA              |            |            |            |
| 05h  | T0STA               |            |            |            |
| 06h  | CPUSTA              |            |            |            |
| 07h  | INTSTA              |            |            |            |
| 08h  | INDF1               |            |            |            |
| 09h  | FSR1                |            |            |            |
| 0Ah  | WREG                |            |            |            |
| 0Bh  | TMR0L               |            |            |            |
| 0Ch  | TMR0H               |            |            |            |
| 0Dh  | TBLPTRL             |            |            |            |
| 0Eh  | TBLPTRH             |            |            |            |
| 0Fh  | BSR                 |            |            |            |
|      | Bank 0              | Bank 1 (1) | Bank 2 (1) | Bank 3 (1) |
| 10h  | PORTA               | DDRC       | TMR1       | PW1DCL     |
| 11h  | DDRB                | PORTC      | TMR2       | PW2DCL     |
| 12h  | PORTB               | DDRD       | TMR3L      | PW1DCH     |
| 13h  | RCSTA               | PORTD      | TMR3H      | PW2DCH     |
| 14h  | RCREG               | DDRE       | PR1        | CA2L       |
| 15h  | TXSTA               | PORTE      | PR2        | CA2H       |
| 16h  | TXREG               | PIR        | PR3L/CA1L  | TCON1      |
| 17h  | SPBRG               | PIE        | PR3H/CA1H  | TCON2      |
| 18h  |                     |            |            |            |
| 1Fh  | General Purpose RAM |            |            |            |
| 20h  |                     |            |            |            |
| FFh  |                     |            |            |            |

Note 1: SFR file locations 10h - 17h are banked. All other SFRs ignore the Bank Select Register (BSR) bits.

**FIGURE 6-6: PIC17CR42/42A/43/R43/44 REGISTER FILE MAP**

| Addr | Unbanked                |            |                         |            |
|------|-------------------------|------------|-------------------------|------------|
| 00h  | INDF0                   |            |                         |            |
| 01h  | FSR0                    |            |                         |            |
| 02h  | PCL                     |            |                         |            |
| 03h  | PCLATH                  |            |                         |            |
| 04h  | ALUSTA                  |            |                         |            |
| 05h  | T0STA                   |            |                         |            |
| 06h  | CPUSTA                  |            |                         |            |
| 07h  | INTSTA                  |            |                         |            |
| 08h  | INDF1                   |            |                         |            |
| 09h  | FSR1                    |            |                         |            |
| 0Ah  | WREG                    |            |                         |            |
| 0Bh  | TMR0L                   |            |                         |            |
| 0Ch  | TMR0H                   |            |                         |            |
| 0Dh  | TBLPTRL                 |            |                         |            |
| 0Eh  | TBLPTRH                 |            |                         |            |
| 0Fh  | BSR                     |            |                         |            |
|      | Bank 0                  | Bank 1 (1) | Bank 2 (1)              | Bank 3 (1) |
| 10h  | PORTA                   | DDRC       | TMR1                    | PW1DCL     |
| 11h  | DDRB                    | PORTC      | TMR2                    | PW2DCL     |
| 12h  | PORTB                   | DDRD       | TMR3L                   | PW1DCH     |
| 13h  | RCSTA                   | PORTD      | TMR3H                   | PW2DCH     |
| 14h  | RCREG                   | DDRE       | PR1                     | CA2L       |
| 15h  | TXSTA                   | PORTE      | PR2                     | CA2H       |
| 16h  | TXREG                   | PIR        | PR3L/CA1L               | TCON1      |
| 17h  | SPBRG                   | PIE        | PR3H/CA1H               | TCON2      |
| 18h  |                         |            |                         |            |
| 19h  |                         |            |                         |            |
| 1Ah  |                         |            |                         |            |
| 1Fh  | General Purpose RAM (2) |            |                         |            |
| 20h  |                         |            | General Purpose RAM (2) |            |
| FFh  |                         |            |                         |            |

Note 1: SFR file locations 10h - 17h are banked. All other SFRs ignore the Bank Select Register (BSR) bits.

2: General Purpose Registers (GPR) locations 20h - FFh and 120h - 1FFh are banked. All other GPRs ignore the Bank Select Register (BSR) bits.

# PIC17C4X

**TABLE 6-3: SPECIAL FUNCTION REGISTERS**

| Address            | Name    | Bit 7  | Bit 6        | Bit 5        | Bit 4        | Bit 3           | Bit 2                | Bit 1                | Bit 0       | Value on Power-on Reset | Value on all other resets (3) |
|--------------------|---------|--|--------------|--------------|--------------|-----------------|----------------------|----------------------|-------------|-------------------------|-------------------------------|
| <b>Unbanked</b>    |         |  |              |              |              |                 |                      |                      |             |                         |                               |
| 00h                | INDF0   | Uses contents of FSR0 to address data memory (not a physical register) |              |              |              |                 |                      |                      |             | ----                    | ----                          |
| 01h                | FSR0    | Indirect data memory address pointer 0                                 |              |              |              |                 |                      |                      |             | xxxx xxxx               | uuuu uuuu                     |
| 02h                | PCL     | Low order 8-bits of PC   |              |              |              |                 |                      |                      |             | 0000 0000               | 0000 0000                     |
| 03h <sup>(1)</sup> | PCLATH  | Holding register for upper 8-bits of PC                                |              |              |              |                 |                      |                      |             | 0000 0000               | uuuu uuuu                     |
| 04h                | ALUSTA  | FS3  | FS2          | FS1          | FS0          | OV              | Z                    | DC                   | C           | 1111 xxxx               | 1111 uuuu                     |
| 05h                | T0STA   | INTEDG   | T0SE         | T0CS         | PS3          | PS2             | PS1                  | PS0                  | —           | 0000 000-               | 0000 000-                     |
| 06h <sup>(2)</sup> | CPUSTA  | —  | —            | STKAV        | GLINTD       | $\overline{TO}$ | $\overline{PD}$      | —                    | —           | --11 11--               | --11 qq--                     |
| 07h                | INTSTA  | PEIF   | T0CKIF       | T0IF         | INTF         | PEIE            | T0CKIE               | T0IE                 | INTE        | 0000 0000               | 0000 0000                     |
| 08h                | INDF1   | Uses contents of FSR1 to address data memory (not a physical register) |              |              |              |                 |                      |                      |             | ----                    | ----                          |
| 09h                | FSR1    | Indirect data memory address pointer 1                                 |              |              |              |                 |                      |                      |             | xxxx xxxx               | uuuu uuuu                     |
| 0Ah                | WREG    | Working register   |              |              |              |                 |                      |                      |             | xxxx xxxx               | uuuu uuuu                     |
| 0Bh                | TMR0L   | TMR0 register; low byte  |              |              |              |                 |                      |                      |             | xxxx xxxx               | uuuu uuuu                     |
| 0Ch                | TMR0H   | TMR0 register; high byte   |              |              |              |                 |                      |                      |             | xxxx xxxx               | uuuu uuuu                     |
| 0Dh                | TBLPTRL | Low byte of program memory table pointer                               |              |              |              |                 |                      |                      |             | (4)                     | (4)                           |
| 0Eh                | TBLPTRH | High byte of program memory table pointer                              |              |              |              |                 |                      |                      |             | (4)                     | (4)                           |
| 0Fh                | BSR     | Bank select register   |              |              |              |                 |                      |                      |             | 0000 0000               | 0000 0000                     |
| <b>Bank 0</b>      |         |  |              |              |              |                 |                      |                      |             |                         |                               |
| 10h                | PORTA   | $\overline{RBP}$   | —            | RA5          | RA4          | RA3             | RA2                  | RA1/T0CKI            | RA0/INT     | 0-xx xxxx               | 0-uu uuuu                     |
| 11h                | DDRB    | Data direction register for PORTB                                      |              |              |              |                 |                      |                      |             | 1111 1111               | 1111 1111                     |
| 12h                | PORTB   | PORTB data latch   |              |              |              |                 |                      |                      |             | xxxx xxxx               | uuuu uuuu                     |
| 13h                | RCSTA   | SPEN   | RX9          | SREN         | CREN         | —               | FERR                 | OERR                 | RX9D        | 0000 -00x               | 0000 -00u                     |
| 14h                | RCREG   | Serial port receive register   |              |              |              |                 |                      |                      |             | xxxx xxxx               | uuuu uuuu                     |
| 15h                | TXSTA   | CSRC   | TX9          | TXEN         | SYNC         | —               | —                    | TRMT                 | TX9D        | 0000 --1x               | 0000 --1u                     |
| 16h                | TXREG   | Serial port transmit register  |              |              |              |                 |                      |                      |             | xxxx xxxx               | uuuu uuuu                     |
| 17h                | SPBRG   | Baud rate generator register   |              |              |              |                 |                      |                      |             | xxxx xxxx               | uuuu uuuu                     |
| <b>Bank 1</b>      |         |  |              |              |              |                 |                      |                      |             |                         |                               |
| 10h                | DDRC    | Data direction register for PORTC                                      |              |              |              |                 |                      |                      |             | 1111 1111               | 1111 1111                     |
| 11h                | PORTC   | RC7/<br>AD7  | RC6/<br>AD6  | RC5/<br>AD5  | RC4/<br>AD4  | RC3/<br>AD3     | RC2/<br>AD2          | RC1/<br>AD1          | RC0/<br>AD0 | xxxx xxxx               | uuuu uuuu                     |
| 12h                | DDRD    | Data direction register for PORTD                                      |              |              |              |                 |                      |                      |             | 1111 1111               | 1111 1111                     |
| 13h                | PORTD   | RD7/<br>AD15   | RD6/<br>AD14 | RD5/<br>AD13 | RD4/<br>AD12 | RD3/<br>AD11    | RD2/<br>AD10         | RD1/<br>AD9          | RD0/<br>AD8 | xxxx xxxx               | uuuu uuuu                     |
| 14h                | DDRE    | Data direction register for PORTE                                      |              |              |              |                 |                      |                      |             | ---- -111               | ---- -111                     |
| 15h                | PORTE   | —  | —            | —            | —            | —               | RE2/ $\overline{WR}$ | RE1/ $\overline{OE}$ | RE0/ALE     | ---- -xxx               | ---- -uuu                     |
| 16h                | PIR     | RBIF   | TMR3IF       | TMR2IF       | TMR1IF       | CA2IF           | CA1IF                | TXIF                 | RCIF        | 0000 0010               | 0000 0010                     |
| 17h                | PIE     | RBIE   | TMR3IE       | TMR2IE       | TMR1IE       | CA2IE           | CA1IE                | TXIE                 | RCIE        | 0000 0000               | 0000 0000                     |

Legend: x = unknown, u = unchanged, - = unimplemented read as '0', q - value depends on condition. Shaded cells are unimplemented, read as '0'.

Note 1: The upper byte of the program counter is not directly accessible. PCLATH is a holding register for PC<15:8> whose contents are updated from or transferred to the upper byte of the program counter.

2: The  $\overline{TO}$  and  $\overline{PD}$  status bits in CPUSTA are not affected by a MCLR reset.

3: Other (non power-up) resets include: external reset through MCLR and the Watchdog Timer Reset.

4: The following values are for both TBLPTRL and TBLPTRH:

All PIC17C4X devices (Power-on Reset 0000 0000) and (All other resets 0000 0000) except the PIC17C42 (Power-on Reset xxxx xxxx) and (All other resets uuuu uuuu)

5: The PRODL and PRODH registers are not implemented on the PIC17C42.

**TABLE 6-3: SPECIAL FUNCTION REGISTERS (Cont.'d)**

| Address            | Name      | Bit 7  | Bit 6  | Bit 5  | Bit 4  | Bit 3   | Bit 2  | Bit 1  | Bit 0  | Value on Power-on Reset | Value on all other resets (3) |
|--------------------|-----------|--|--------|--------|--------|---------|--------|--------|--------|-------------------------|-------------------------------|
| <b>Bank 2</b>      |           |  |        |        |        |         |        |        |        |                         |                               |
| 10h                | TMR1      | Timer1   |        |        |        |         |        |        |        | xxxx xxxx               | uuuu uuuu                     |
| 11h                | TMR2      | Timer2   |        |        |        |         |        |        |        | xxxx xxxx               | uuuu uuuu                     |
| 12h                | TMR3L     | TMR3 register; low byte  |        |        |        |         |        |        |        | xxxx xxxx               | uuuu uuuu                     |
| 13h                | TMR3H     | TMR3 register; high byte                                       |        |        |        |         |        |        |        | xxxx xxxx               | uuuu uuuu                     |
| 14h                | PR1       | Timer1 period register   |        |        |        |         |        |        |        | xxxx xxxx               | uuuu uuuu                     |
| 15h                | PR2       | Timer2 period register   |        |        |        |         |        |        |        | xxxx xxxx               | uuuu uuuu                     |
| 16h                | PR3L/CA1L | Timer3 period register, low byte/capture1 register; low byte   |        |        |        |         |        |        |        | xxxx xxxx               | uuuu uuuu                     |
| 17h                | PR3H/CA1H | Timer3 period register, high byte/capture1 register; high byte |        |        |        |         |        |        |        | xxxx xxxx               | uuuu uuuu                     |
| <b>Bank 3</b>      |           |  |        |        |        |         |        |        |        |                         |                               |
| 10h                | PW1DCL    | DC1  | DC0    | —      | —      | —       | —      | —      | —      | xx-- ----               | uu-- ----                     |
| 11h                | PW2DCL    | DC1  | DC0    | TM2PW2 | —      | —       | —      | —      | —      | xx0- ----               | uu0- ----                     |
| 12h                | PW1DCH    | DC9  | DC8    | DC7    | DC6    | DC5     | DC4    | DC3    | DC2    | xxxx xxxx               | uuuu uuuu                     |
| 13h                | PW2DCH    | DC9  | DC8    | DC7    | DC6    | DC5     | DC4    | DC3    | DC2    | xxxx xxxx               | uuuu uuuu                     |
| 14h                | CA2L      | Capture2 low byte  |        |        |        |         |        |        |        | xxxx xxxx               | uuuu uuuu                     |
| 15h                | CA2H      | Capture2 high byte   |        |        |        |         |        |        |        | xxxx xxxx               | uuuu uuuu                     |
| 16h                | TCON1     | CA2ED1   | CA2ED0 | CA1ED1 | CA1ED0 | T16     | TMR3CS | TMR2CS | TMR1CS | 0000 0000               | 0000 0000                     |
| 17h                | TCON2     | CA2OVF   | CA1OVF | PWM2ON | PWM1ON | CA1/PR3 | TMR3ON | TMR2ON | TMR1ON | 0000 0000               | 0000 0000                     |
| <b>Unbanked</b>    |           |  |        |        |        |         |        |        |        |                         |                               |
| 18h <sup>(5)</sup> | PRODL     | Low Byte of 16-bit Product (8 x 8 Hardware Multiply)           |        |        |        |         |        |        |        | xxxx xxxx               | uuuu uuuu                     |
| 19h <sup>(5)</sup> | PRODH     | High Byte of 16-bit Product (8 x 8 Hardware Multiply)          |        |        |        |         |        |        |        | xxxx xxxx               | uuuu uuuu                     |

Legend: x = unknown, u = unchanged, - = unimplemented read as '0', q - value depends on condition. Shaded cells are unimplemented, read as '0'.

Note 1: The upper byte of the program counter is not directly accessible. PCLATH is a holding register for PC<15:8> whose contents are updated from or transferred to the upper byte of the program counter.

2: The  $\overline{TO}$  and  $\overline{PD}$  status bits in CPUSTA are not affected by a MCLR reset.

3: Other (non power-up) resets include: external reset through MCLR and the Watchdog Timer Reset.

4: The following values are for both TBLPTRL and TBLPTRH:

All PIC17C4X devices (Power-on Reset 0000 0000) and (All other resets 0000 0000) except the PIC17C42 (Power-on Reset xxxx xxxx) and (All other resets uuuu uuuu)

5: The PRODL and PRODH registers are not implemented on the PIC17C42.

# PIC17C4X

## 6.2.2.1 ALU STATUS REGISTER (ALUSTA)

The ALUSTA register contains the status bits of the Arithmetic and Logic Unit and the mode control bits for the indirect addressing register.

As with all the other registers, the ALUSTA register can be the destination for any instruction. If the ALUSTA register is the destination for an instruction that affects the Z, DC or C bits, then the write to these three bits is disabled. These bits are set or cleared according to the device logic. Therefore, the result of an instruction with the ALUSTA register as destination may be different than intended.

For example, `CLRF ALUSTA` will clear the upper four bits and set the Z bit. This leaves the ALUSTA register as `0000u1uu` (where `u` = unchanged).

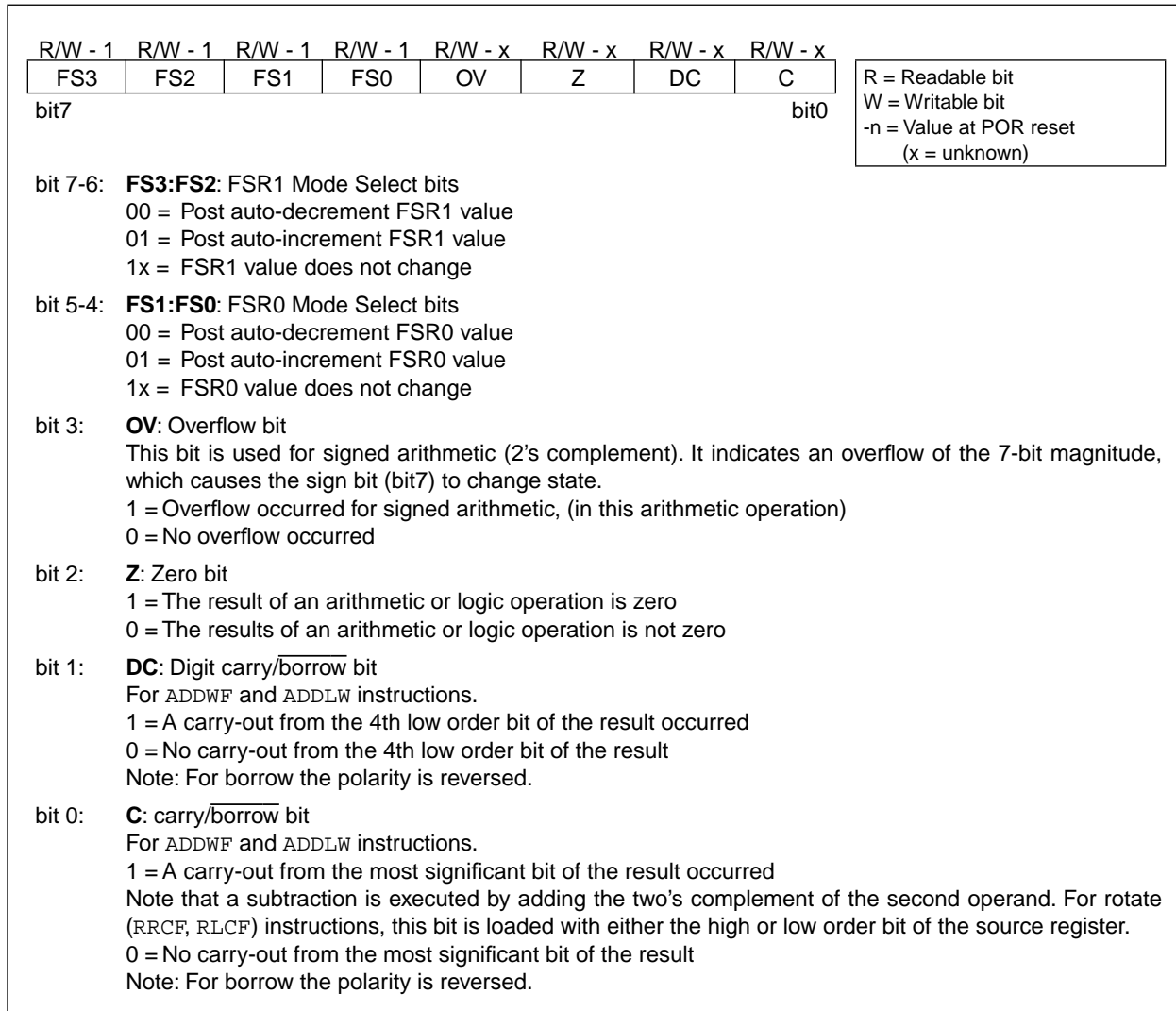
It is recommended, therefore, that only `BCF`, `BSF`, `SWAPF` and `MOVWF` instructions be used to alter the ALUSTA register because these instructions do not affect any status bit. To see how other instructions affect the status bits, see the "Instruction Set Summary."

**Note 1:** The C and DC bits operate as a borrow out bit in subtraction. See the `SUBLW` and `SUBWF` instructions for examples.

**Note 2:** The overflow bit will be set if the 2's complement result exceeds +127 or is less than -128.

Arithmetic and Logic Unit (ALU) is capable of carrying out arithmetic or logical operations on two operands or a single operand. All single operand instructions operate either on the WREG register or a file register. For two operand instructions, one of the operands is the WREG register and the other one is either a file register or an 8-bit immediate constant.

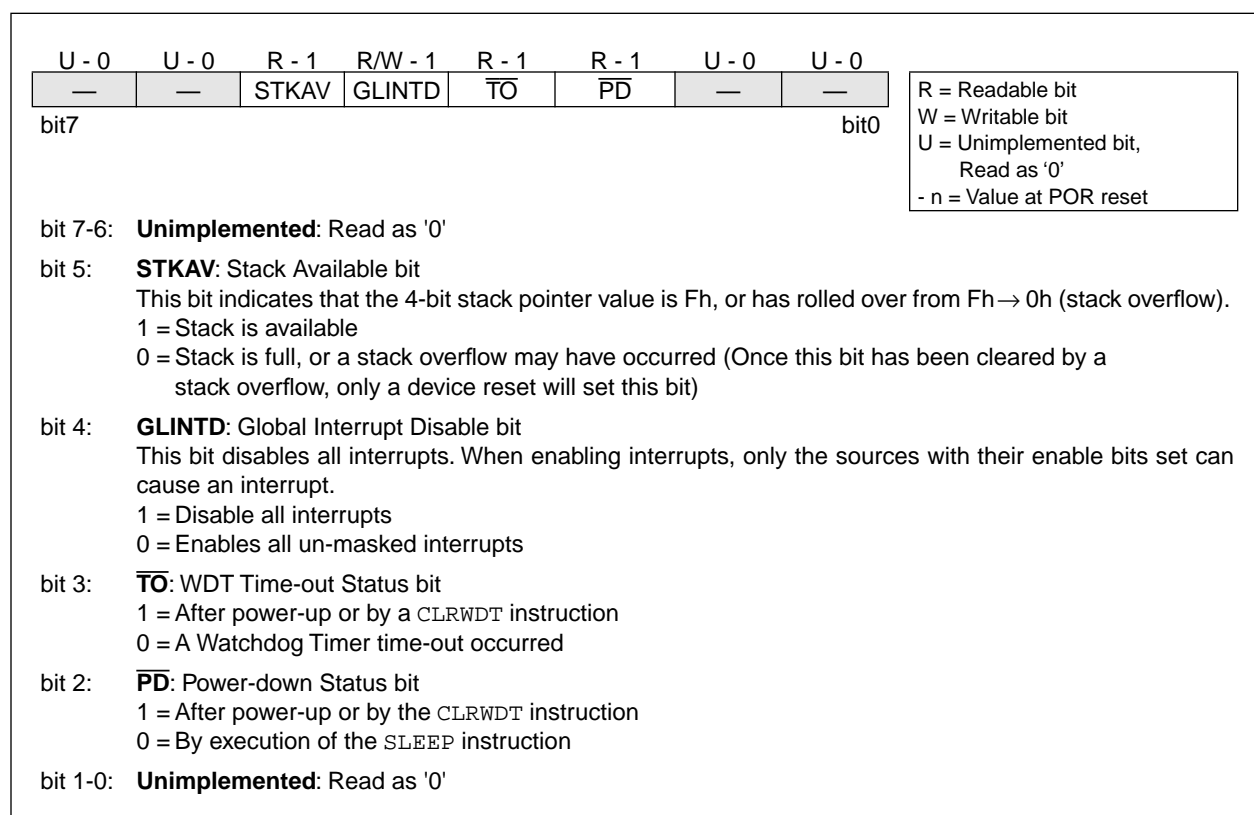
**FIGURE 6-7: ALUSTA REGISTER (ADDRESS: 04h, UNBANKED)**



## 6.2.2.2 CPU STATUS REGISTER (CPUSTA)

The CPUSTA register contains the status and control bits for the CPU. This register is used to globally enable/disable interrupts. If only a specific interrupt is desired to be enabled/disabled, please refer to the INTerrupt STATUS (INTSTA) register and the Peripheral Interrupt Enable (PIE) register. This register also indicates if the stack is available and contains the Power-down ( $\overline{PD}$ ) and Time-out ( $\overline{TO}$ ) bits. The  $\overline{TO}$ ,  $\overline{PD}$ , and STKAV bits are not writable. These bits are set and cleared according to device logic. Therefore, the result of an instruction with the CPUSTA register as destination may be different than intended.

**FIGURE 6-8: CPUSTA REGISTER (ADDRESS: 06h, UNBANKED)**



# PIC17C4X

## 6.2.2.3 TMR0 STATUS/CONTROL REGISTER (T0STA)

This register contains various control bits. Bit7 (INTEDG) is used to control the edge upon which a signal on the RA0/INT pin will set the RB0/INT interrupt flag. The other bits configure the Timer0 prescaler and clock source. (Figure 11-1).

**FIGURE 6-9: T0STA REGISTER (ADDRESS: 05h, UNBANKED)**

| R/W - 0   | R/W - 0        | R/W - 0 | R/W - 0 | R/W - 0 | R/W - 0 | R/W - 0 | U - 0 |         |                |      |     |      |     |      |     |      |     |      |      |      |      |      |      |      |       |      |       |
|---|----------------|---------|---------|---------|---------|---------|-------|---------|----------------|------|-----|------|-----|------|-----|------|-----|------|------|------|------|------|------|------|-------|------|-------|
| INTEDG  | T0SE           | T0CS    | PS3     | PS2     | PS1     | PS0     | —     |         |                |      |     |      |     |      |     |      |     |      |      |      |      |      |      |      |       |      |       |
|   |                |         |         |         |         |         | bit0  |         |                |      |     |      |     |      |     |      |     |      |      |      |      |      |      |      |       |      |       |
| <div style="border: 1px solid black; padding: 5px; width: fit-content; margin-left: auto; margin-right: 0;">                     R = Readable bit<br/>                     W = Writable bit<br/>                     U = Unimplemented, reads as '0'<br/>                     -n = Value at POR reset                 </div>  |                |         |         |         |         |         |       |         |                |      |     |      |     |      |     |      |     |      |      |      |      |      |      |      |       |      |       |
| <p>bit 7: <b>INTEDG:</b> RA0/INT Pin Interrupt Edge Select bit<br/>                     This bit selects the edge upon which the interrupt is detected.<br/>                     1 = Rising edge of RA0/INT pin generates interrupt<br/>                     0 = Falling edge of RA0/INT pin generates interrupt</p> <p>bit 6: <b>T0SE:</b> Timer0 Clock Input Edge Select bit<br/>                     This bit selects the edge upon which TMR0 will increment.<br/> <u>When T0CS = 0</u><br/>                     1 = Rising edge of RA1/T0CKI pin increments TMR0 and/or generates a T0CKIF interrupt<br/>                     0 = Falling edge of RA1/T0CKI pin increments TMR0 and/or generates a T0CKIF interrupt<br/> <u>When T0CS = 1</u><br/>                     Don't care</p> <p>bit 5: <b>T0CS:</b> Timer0 Clock Source Select bit<br/>                     This bit selects the clock source for Timer0.<br/>                     1 = Internal instruction clock cycle (TCY)<br/>                     0 = T0CKI pin</p> <p>bit 4-1: <b>PS3:PS0:</b> Timer0 Prescale Selection bits<br/>                     These bits select the prescale value for Timer0.</p> <table style="margin-left: 40px;"> <thead> <tr> <th>PS3:PS0</th> <th>Prescale Value</th> </tr> </thead> <tbody> <tr><td>0000</td><td>1:1</td></tr> <tr><td>0001</td><td>1:2</td></tr> <tr><td>0010</td><td>1:4</td></tr> <tr><td>0011</td><td>1:8</td></tr> <tr><td>0100</td><td>1:16</td></tr> <tr><td>0101</td><td>1:32</td></tr> <tr><td>0110</td><td>1:64</td></tr> <tr><td>0111</td><td>1:128</td></tr> <tr><td>1xxx</td><td>1:256</td></tr> </tbody> </table> |                |         |         |         |         |         |       | PS3:PS0 | Prescale Value | 0000 | 1:1 | 0001 | 1:2 | 0010 | 1:4 | 0011 | 1:8 | 0100 | 1:16 | 0101 | 1:32 | 0110 | 1:64 | 0111 | 1:128 | 1xxx | 1:256 |
| PS3:PS0   | Prescale Value |         |         |         |         |         |       |         |                |      |     |      |     |      |     |      |     |      |      |      |      |      |      |      |       |      |       |
| 0000  | 1:1            |         |         |         |         |         |       |         |                |      |     |      |     |      |     |      |     |      |      |      |      |      |      |      |       |      |       |
| 0001  | 1:2            |         |         |         |         |         |       |         |                |      |     |      |     |      |     |      |     |      |      |      |      |      |      |      |       |      |       |
| 0010  | 1:4            |         |         |         |         |         |       |         |                |      |     |      |     |      |     |      |     |      |      |      |      |      |      |      |       |      |       |
| 0011  | 1:8            |         |         |         |         |         |       |         |                |      |     |      |     |      |     |      |     |      |      |      |      |      |      |      |       |      |       |
| 0100  | 1:16           |         |         |         |         |         |       |         |                |      |     |      |     |      |     |      |     |      |      |      |      |      |      |      |       |      |       |
| 0101  | 1:32           |         |         |         |         |         |       |         |                |      |     |      |     |      |     |      |     |      |      |      |      |      |      |      |       |      |       |
| 0110  | 1:64           |         |         |         |         |         |       |         |                |      |     |      |     |      |     |      |     |      |      |      |      |      |      |      |       |      |       |
| 0111  | 1:128          |         |         |         |         |         |       |         |                |      |     |      |     |      |     |      |     |      |      |      |      |      |      |      |       |      |       |
| 1xxx  | 1:256          |         |         |         |         |         |       |         |                |      |     |      |     |      |     |      |     |      |      |      |      |      |      |      |       |      |       |
| <p>bit 0: <b>Unimplemented:</b> Read as '0'</p>   |                |         |         |         |         |         |       |         |                |      |     |      |     |      |     |      |     |      |      |      |      |      |      |      |       |      |       |

## 6.3 Stack Operation

The PIC17C4X devices have a 16 x 16-bit wide hardware stack (Figure 6-1). The stack is not part of either the program or data memory space, and the stack pointer is neither readable nor writable. The PC is “PUSHed” onto the stack when a CALL instruction is executed or an interrupt is acknowledged. The stack is “POPped” in the event of a RETURN, RETLW, or a RETFIE instruction execution. PCLATH is not affected by a “PUSH” or a “POP” operation.

The stack operates as a circular buffer, with the stack pointer initialized to '0' after all resets. There is a stack available bit (STKAV) to allow software to ensure that the stack has not overflowed. The STKAV bit is set after a device reset. When the stack pointer equals Fh, STKAV is cleared. When the stack pointer rolls over from Fh to 0h, the STKAV bit will be held clear until a device reset.

**Note 1:** There is not a status bit for stack underflow. The STKAV bit can be used to detect the underflow which results in the stack pointer being at the top of stack.

**Note 2:** There are no instruction mnemonics called PUSH or POP. These are actions that occur from the execution of the CALL, RETURN, RETLW, and RETFIE instructions, or the vectoring to an interrupt vector.

**Note 3:** After a reset, if a “POP” operation occurs before a “PUSH” operation, the STKAV bit will be cleared. This will appear as if the stack is full (underflow has occurred). If a “PUSH” operation occurs next (before another “POP”), the STKAV bit will be locked clear. Only a device reset will cause this bit to set.

After the device is “PUSHed” sixteen times (without a “POP”), the seventeenth push overwrites the value from the first push. The eighteenth push overwrites the second push (and so on).

## 6.4 Indirect Addressing

Indirect addressing is a mode of addressing data memory where the data memory address in the instruction is not fixed. That is, the register that is to be read or written can be modified by the program. This can be useful for data tables in the data memory. Figure 6-10 shows the operation of indirect addressing. This shows the moving of the value to the data memory address specified by the value of the FSR register.

Example 6-1 shows the use of indirect addressing to clear RAM in a minimum number of instructions. A similar concept could be used to move a defined number of bytes (block) of data to the USART transmit register (TXREG). The starting address of the block of data to be transmitted could easily be modified by the program.

**FIGURE 6-10: INDIRECT ADDRESSING**



## 6.4.1 INDIRECT ADDRESSING REGISTERS

The PIC17C4X has four registers for indirect addressing. These registers are:

- INDF0 and FSR0
- INDF1 and FSR1

Registers INDF0 and INDF1 are not physically implemented. Reading or writing to these registers activates indirect addressing, with the value in the corresponding FSR register being the address of the data. The FSR is an 8-bit register and allows addressing anywhere in the 256-byte data memory address range. For banked memory, the bank of memory accessed is specified by the value in the BSR.

If file INDF0 (or INDF1) itself is read indirectly via an FSR, all '0's are read (Zero bit is set). Similarly, if INDF0 (or INDF1) is written to indirectly, the operation will be equivalent to a NOP, and the status bits are not affected.

## 6.4.2 INDIRECT ADDRESSING OPERATION

The indirect addressing capability has been enhanced over that of the PIC16CXX family. There are two control bits associated with each FSR register. These two bits configure the FSR register to:

- Auto-decrement the value (address) in the FSR after an indirect access
- Auto-increment the value (address) in the FSR after an indirect access
- No change to the value (address) in the FSR after an indirect access

These control bits are located in the ALUSTA register. The FSR1 register is controlled by the FS3:FS2 bits and FSR0 is controlled by the FS1:FS0 bits.

When using the auto-increment or auto-decrement features, the effect on the FSR is not reflected in the ALUSTA register. For example, if the indirect address causes the FSR to equal '0', the Z bit will not be set.

If the FSR register contains a value of 0h, an indirect read will read 0h (Zero bit is set) while an indirect write will be equivalent to a NOP (status bits are not affected).

Indirect addressing allows single cycle data transfers within the entire data space. This is possible with the use of the MOVFPF and MOVFFP instructions, where either 'p' or 'f' is specified as INDF0 (or INDF1).

If the source or destination of the indirect address is in banked memory, the location accessed will be determined by the value in the BSR.

A simple program to clear RAM from 20h - FFh is shown in Example 6-1.

### EXAMPLE 6-1: INDIRECT ADDRESSING

```
MOVLW    0x20          ;
MOVWF    FSR0          ; FSR0 = 20h
BCF      ALUSTA, FS1   ; Increment FSR
BSF      ALUSTA, FS0   ; after access
BCF      ALUSTA, C     ; C = 0
MOVLW    END_RAM + 1  ;
LP       CLRf          INDF0      ; Addr(FSR) = 0
        CPFSEQ        FSR0      ; FSR0 = END_RAM+1?
        GOTO         LP         ; NO, clear next
        :              ; YES, All RAM is
        :              ; cleared
```

## 6.5 Table Pointer (TBLPTRL and TBLPTRH)

File registers TBLPTRL and TBLPTRH form a 16-bit pointer to address the 64K program memory space. The table pointer is used by instructions TABLWT and TABLRD.

The TABLRD and the TABLWT instructions allow transfer of data between program and data space. The table pointer serves as the 16-bit address of the data word within the program memory. For a more complete description of these registers and the operation of Table Reads and Table Writes, see Section 7.0.

## 6.6 Table Latch (TBLATH, TBLATL)

The table latch (TBLAT) is a 16-bit register, with TBLATH and TBLATL referring to the high and low bytes of the register. It is not mapped into data or program memory. The table latch is used as a temporary holding latch during data transfer between program and data memory (see descriptions of instructions TABLRD, TABLWT, TLRD and TLWT). For a more complete description of these registers and the operation of Table Reads and Table Writes, see Section 7.0.



## 6.7 Program Counter Module

The Program Counter (PC) is a 16-bit register. PCL, the low byte of the PC, is mapped in the data memory. PCL is readable and writable just as is any other register. PCH is the high byte of the PC and is not directly addressable. Since PCH is not mapped in data or program memory, an 8-bit register PCLATH (PC high latch) is used as a holding latch for the high byte of the PC. PCLATH is mapped into data memory. The user can read or write PCH through PCLATH.

The 16-bit wide PC is incremented after each instruction fetch during Q1 unless:

- Modified by GOTO, CALL, LCALL, RETURN, RETLW, or RETFIE instruction
- Modified by an interrupt response
- Due to destination write to PCL by an instruction

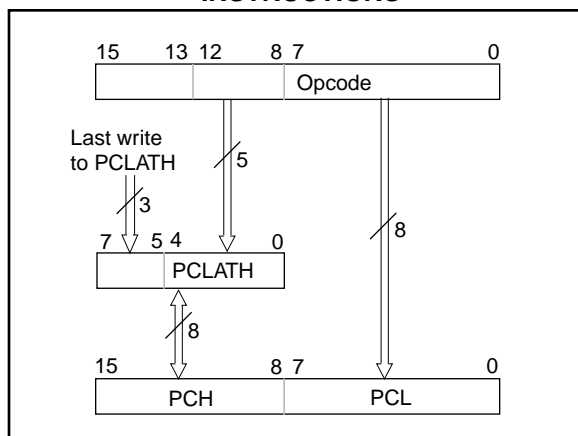
"Skips" are equivalent to a forced NOP cycle at the skipped address.

Figure 6-11 and Figure 6-12 show the operation of the program counter for various situations.

**FIGURE 6-11: PROGRAM COUNTER OPERATION**



**FIGURE 6-12: PROGRAM COUNTER USING THE CALL AND GOTO INSTRUCTIONS**



Using Figure 6-11, the operations of the PC and PCLATH for different instructions are as follows:

- LCALL instructions:**  
An 8-bit destination address is provided in the instruction (opcode). PCLATH is unchanged.  
PCLATH → PCH  
Opcode<7:0> → PCL
- Read instructions on PCL:**  
Any instruction that reads PCL.  
PCL → data bus → ALU or destination  
PCH → PCLATH
- Write instructions on PCL:**  
Any instruction that writes to PCL.  
8-bit data → data bus → PCL  
PCLATH → PCH
- Read-Modify-Write instructions on PCL:**  
Any instruction that does a read-write-modify operation on PCL, such as ADDWF PCL.  
Read: PCL → data bus → ALU  
Write: 8-bit result → data bus → PCL  
PCLATH → PCH
- RETURN instruction:**  
PCH → PCLATH  
Stack<MRU> → PC<15:0>

Using Figure 6-12, the operation of the PC and PCLATH for GOTO and CALL instructions is as follows:

**CALL, GOTO instructions:**

A 13-bit destination address is provided in the instruction (opcode).

Opcode<12:0> → PC <12:0>

PC<15:13> → PCLATH<7:5>

Opcode<12:8> → PCLATH <4:0>

The read-modify-write only affects the PCL with the result. PCH is loaded with the value in the PCLATH. For example, ADDWF PCL will result in a jump within the current page. If PC = 03F0h, WREG = 30h and PCLATH = 03h before instruction, PC = 0320h after the instruction. To accomplish a true 16-bit computed jump, the user needs to compute the 16-bit destination address, write the high byte to PCLATH and then write the low value to PCL.

The following PC related operations do not change PCLATH:

- LCALL, RETLW, and RETFIE instructions.
- Interrupt vector is forced onto the PC.
- Read-modify-write instructions on PCL (e.g. BSF PCL).

# PIC17C4X

## 6.8 Bank Select Register (BSR)

The BSR is used to switch between banks in the data memory area (Figure 6-13). In the PIC17C42, PIC17CR42, and PIC17C42A only the lower nibble is implemented. While in the PIC17C43, PIC17CR43, and PIC17C44 devices, the entire byte is implemented. The lower nibble is used to select the peripheral register bank. The upper nibble is used to select the general purpose memory bank.

All the Special Function Registers (SFRs) are mapped into the data memory space. In order to accommodate the large number of registers, a banking scheme has been used. A segment of the SFRs, from address 10h to address 17h, is banked. The lower nibble of the bank select register (BSR) selects the currently active "peripheral bank." Effort has been made to group the peripheral registers of related functionality in one bank. However, it will still be necessary to switch from bank to bank in order to address all peripherals related to a single task. To assist this, a `MOVLB` bank instruction is in the instruction set.

For the PIC17C43, PIC17CR43, and PIC17C44 devices, the need for a large general purpose memory space dictated a general purpose RAM banking scheme. The upper nibble of the BSR selects the currently active general purpose RAM bank. To assist this, a `MOVLR` bank instruction has been provided in the instruction set.

If the currently selected bank is not implemented (such as Bank 13), any read will read all '0's. Any write is completed to the bit bucket and the ALU status bits will be set/cleared as appropriate.

**Note:** Registers in Bank 15 in the Special Function Register area, are reserved for Microchip use. Reading of registers in this bank may cause random values to be read.

FIGURE 6-13: BSR OPERATION (PIC17C43/R43/44)



## 7.0 TABLE READS AND TABLE WRITES

The PIC17C4X has four instructions that allow the processor to move data from the data memory space to the program memory space, and vice versa. Since the program memory space is 16-bits wide and the data memory space is 8-bits wide, two operations are required to move 16-bit values to/from the data memory.

The TLWT *t, f* and TABLWT *t, i, f* instructions are used to write data from the data memory space to the program memory space. The TLRD *t, f* and TABLRD *t, i, f* instructions are used to write data from the program memory space to the data memory space.

The program memory can be internal or external. For the program memory access to be external, the device needs to be operating in extended microcontroller or microprocessor mode.

Figure 7-1 through Figure 7-4 show the operation of these four instructions.

**FIGURE 7-1: TLWT INSTRUCTION OPERATION**



**FIGURE 7-2: TABLWT INSTRUCTION OPERATION**



**FIGURE 7-3: TLRD INSTRUCTION OPERATION**



**FIGURE 7-4: TABLRD INSTRUCTION OPERATION**



## 7.1 Table Writes to Internal Memory

A table write operation to internal memory causes a long write operation. The long write is necessary for programming the internal EPROM. Instruction execution is halted while in a long write cycle. The long write will be terminated by any enabled interrupt. To ensure that the EPROM location has been well programmed, a minimum programming time is required (see specification #D114 ). Having only one interrupt enabled to terminate the long write ensures that no unintentional interrupts will prematurely terminate the long write.

The sequence of events for programming an internal program memory location should be:

1. Disable all interrupt sources, except the source to terminate EPROM program write.
2. Raise  $\overline{\text{MCLR}}$ /VPP pin to the programming voltage.
3. Clear the WDT.
4. Do the table write. The interrupt will terminate the long write.
5. Verify the memory location (table read).

**Note:** Programming requirements must be met. See timing specification in electrical specifications for the desired device. Violating these specifications (including temperature) may result in EPROM locations that are not fully programmed and may lose their state over time.

### 7.1.1 TERMINATING LONG WRITES

An interrupt source or reset are the only events that terminate a long write operation. Terminating the long write from an interrupt source requires that the interrupt enable and flag bits are set. The GLINTD bit only enables the vectoring to the interrupt address.

If the T0CKI, RA0/INT, or TMR0 interrupt source is used to terminate the long write; the interrupt flag, of the highest priority enabled interrupt, will terminate the long write and automatically be cleared.

**Note 1:** If an interrupt is pending, the TABLWT is aborted (an NOP is executed). The highest priority pending interrupt, from the T0CKI, RA0/INT, or TMR0 sources that is enabled, has its flag cleared.

**Note 2:** If the interrupt is not being used for the program write timing, the interrupt should be disabled. This will ensure that the interrupt is not lost, nor will it terminate the long write prematurely.

If a peripheral interrupt source is used to terminate the long write, the interrupt enable and flag bits must be set. The interrupt flag will not be automatically cleared upon the vectoring to the interrupt vector address.

If the GLINTD bit is cleared prior to the long write, when the long write is terminated, the program will branch to the interrupt vector.

If the GLINTD bit is set prior to the long write, when the long write is terminated, the program will not vector to the interrupt address.

**TABLE 7-1: INTERRUPT - TABLE WRITE INTERACTION**

| Interrupt Source     | GLINTD | Enable Bit | Flag Bit | Action  |
|----------------------|--------|------------|----------|---|
| RA0/INT, TMR0, T0CKI | 0      | 1          | 1        | Terminate long table write (to internal program memory), branch to interrupt vector (branch clears flag bit). |
|                      | 0      | 1          | 0        | None  |
|                      | 1      | 0          | x        | None  |
|                      | 1      | 1          | 1        | Terminate table write, do not branch to interrupt vector (flag is automatically cleared).                     |
| Peripheral           | 0      | 1          | 1        | Terminate table write, branch to interrupt vector.  |
|                      | 0      | 1          | 0        | None  |
|                      | 1      | 0          | x        | None  |
|                      | 1      | 1          | 1        | Terminate table write, do not branch to interrupt vector (flag is set).                                       |

## 7.2 Table Writes to External Memory

Table writes to external memory are always two-cycle instructions. The second cycle writes the data to the external memory location. The sequence of events for an external memory write are the same for an internal write.

**Note:** If an interrupt is pending or occurs during the `TABLWT`, the two cycle table write completes. The `RA0/INT`, `TMR0`, or `T0CKI` interrupt flag is automatically cleared or the pending peripheral interrupt is acknowledged.

### 7.2.2 TABLE WRITE CODE

The “i” operand of the `TABLWT` instruction can specify that the value in the 16-bit `TBLPTR` register is automatically incremented for the next write. In Example 7-1, the `TBLPTR` register is not automatically incremented.

#### EXAMPLE 7-1: TABLE WRITE

```

CLRWDT          ; Clear WDT
MOVLW  HIGH (TBL_ADDR) ; Load the Table
MOVWF  TBLPTRH   ; address
MOVLW  LOW  (TBL_ADDR) ;
MOVWF  TBLPTRL   ;
MOVLW  HIGH (DATA)   ; Load HI byte
TLWT   1, WREG      ; in TABLATCH
MOVLW  LOW  (DATA)   ; Load LO byte
TABLWT 0,0,WREG     ; in TABLATCH
                    ; and write to
                    ; program memory
                    ; (Ext. SRAM)
    
```

**FIGURE 7-5: TABLWT WRITE TIMING (EXTERNAL MEMORY)**



**FIGURE 7-6: CONSECUTIVE TABLWT WRITE TIMING (EXTERNAL MEMORY)**



## 7.3 Table Reads

The table read allows the program memory to be read. This allows constant data to be stored in the program memory space, and retrieved into data memory when needed. Example 7-2 reads the 16-bit value at program memory address TBLPTR. After the dummy byte has been read from the TABLATH, the TABLATH is loaded with the 16-bit data from program memory address TBLPTR + 1. The first read loads the data into the latch, and can be considered a dummy read (unknown data loaded into 'f'). INDF0 should be configured for either auto-increment or auto-decrement.

### EXAMPLE 7-2: TABLE READ

```

MOVLW HIGH (TBL_ADDR) ; Load the Table
MOVWF TBLPTRH         ; address
MOVLW LOW (TBL_ADDR) ;
MOVWF TBLPTRL         ;
TABLRD 0,0,DUMMY      ; Dummy read,
                    ; Updates TABLATCH
TLRD 1, INDF0         ; Read HI byte
                    ; of TABLATCH
TABLRD 0,1,INDF0      ; Read LO byte
                    ; of TABLATCH and
                    ; Update TABLATCH
    
```

FIGURE 7-7: TABLRD TIMING



FIGURE 7-8: TABLRD TIMING (CONSECUTIVE TABLRD INSTRUCTIONS)





## 8.0 HARDWARE MULTIPLIER

All PIC17C4X devices except the PIC17C42, have an 8 x 8 hardware multiplier included in the ALU of the device. By making the multiply a hardware operation, it completes in a single instruction cycle. This is an unsigned multiply that gives a 16-bit result. The result is stored into the 16-bit PRODUct register (PRODH:PRODL). The multiplier does not affect any flags in the ALUSTA register.

Making the 8 x 8 multiplier execute in a single cycle gives the following advantages:

- Higher computational throughput
- Reduces code size requirements for multiply algorithms

The performance increase allows the device to be used in applications previously reserved for Digital Signal Processors.

Table 8-1 shows a performance comparison between the PIC17C42 and all other PIC17CXX devices, which have the single cycle hardware multiply.

Example 8-1 shows the sequence to do an 8 x 8 unsigned multiply. Only one instruction is required when one argument of the multiply is already loaded in the WREG register.

Example 8-2 shows the sequence to do an 8 x 8 signed multiply. To account for the sign bits of the arguments, each argument's most significant bit (MSb) is tested and the appropriate subtractions are done.

### EXAMPLE 8-1: 8 x 8 MULTIPLY ROUTINE

```
MOVFP   ARG1, WREG
MULWF   ARG2           ; ARG1 * ARG2 ->
                        ;   PRODH:PRODL
```

### EXAMPLE 8-2: 8 x 8 SIGNED MULTIPLY ROUTINE

```
MOVFP   ARG1, WREG
MULWF   ARG2           ; ARG1 * ARG2 ->
                        ;   PRODH:PRODL

BTFSC   ARG2, SB      ; Test Sign Bit
SUBWF   PRODH, F      ; PRODH = PRODH
                        ;   - ARG1

MOVFP   ARG2, WREG
BTFSC   ARG1, SB      ; Test Sign Bit
SUBWF   PRODH, F      ; PRODH = PRODH
                        ;   - ARG2
```

**TABLE 8-1: PERFORMANCE COMPARISON**

| Routine          | Device                     | Program Memory (Words) | Cycles (Max) | Time          |              |
|------------------|----------------------------|------------------------|--------------|---------------|--------------|
|                  |                            |                        |              | @ 25 MHz      | @ 33 MHz     |
| 8 x 8 unsigned   | PIC17C42                   | 13                     | 69           | 11.04 $\mu$ s | N/A          |
|                  | All other PIC17CXX devices | 1                      | 1            | 160 ns        | 121 ns       |
| 8 x 8 signed     | PIC17C42                   | —                      | —            | —             | N/A          |
|                  | All other PIC17CXX devices | 6                      | 6            | 960 ns        | 727 ns       |
| 16 x 16 unsigned | PIC17C42                   | 21                     | 242          | 38.72 $\mu$ s | N/A          |
|                  | All other PIC17CXX devices | 24                     | 24           | 3.84 $\mu$ s  | 2.91 $\mu$ s |
| 16 x 16 signed   | PIC17C42                   | 52                     | 254          | 40.64 $\mu$ s | N/A          |
|                  | All other PIC17CXX devices | 36                     | 36           | 5.76 $\mu$ s  | 4.36 $\mu$ s |

# PIC17C4X

Example 8-3 shows the sequence to do a 16 x 16 unsigned multiply. Equation 8-1 shows the algorithm that is used. The 32-bit result is stored in 4 registers RES3:RES0.

## EQUATION 8-1: 16 x 16 UNSIGNED MULTIPLICATION ALGORITHM

$$\begin{aligned} \text{RES3:RES0} &= \text{ARG1H:ARG1L} * \text{ARG2H:ARG2L} \\ &= (\text{ARG1H} * \text{ARG2H} * 2^{16}) + \\ &\quad (\text{ARG1H} * \text{ARG2L} * 2^8) + \\ &\quad (\text{ARG1L} * \text{ARG2H} * 2^8) + \\ &\quad (\text{ARG1L} * \text{ARG2L}) \end{aligned}$$

## EXAMPLE 8-3: 16 x 16 MULTIPLY ROUTINE

```
MOVFP ARG1L, WREG
MULWF ARG2L ; ARG1L * ARG2L ->
; PRODH:PRODL
MOVFP PRODH, RES1 ;
MOVFP PRODL, RES0 ;
;
MOVFP ARG1H, WREG
MULWF ARG2H ; ARG1H * ARG2H ->
; PRODH:PRODL
MOVFP PRODH, RES3 ;
MOVFP PRODL, RES2 ;
;
MOVFP ARG1L, WREG
MULWF ARG2H ; ARG1L * ARG2H ->
; PRODH:PRODL
MOVFP PRODL, WREG ;
ADDWF RES1, F ; Add cross
MOVFP PRODH, WREG ; products
ADDWFC RES2, F ;
CLRF WREG, F ;
ADDWFC RES3, F ;
;
MOVFP ARG1H, WREG ;
MULWF ARG2L ; ARG1H * ARG2L ->
; PRODH:PRODL
MOVFP PRODL, WREG ;
ADDWF RES1, F ; Add cross
MOVFP PRODH, WREG ; products
ADDWFC RES2, F ;
CLRF WREG, F ;
ADDWFC RES3, F ;
```

Example 8-4 shows the sequence to do an 16 x 16 signed multiply. Equation 8-2 shows the algorithm that used. The 32-bit result is stored in four registers RES3:RES0. To account for the sign bits of the arguments, each argument pairs most significant bit (MSb) is tested and the appropriate subtractions are done.

## EQUATION 8-2: 16 x 16 SIGNED MULTIPLICATION ALGORITHM

$$\begin{aligned}
 & \text{RES3:RES0} \\
 & = \text{ARG1H:ARG1L} * \text{ARG2H:ARG2L} \\
 & = (\text{ARG1H} * \text{ARG2H} * 2^{16}) \quad + \\
 & \quad (\text{ARG1H} * \text{ARG2L} * 2^8) \quad + \\
 & \quad (\text{ARG1L} * \text{ARG2H} * 2^8) \quad + \\
 & \quad (\text{ARG1L} * \text{ARG2L}) \quad + \\
 & \quad (-1 * \text{ARG2H} <7> * \text{ARG1H:ARG1L} * 2^{16}) \quad + \\
 & \quad (-1 * \text{ARG1H} <7> * \text{ARG2H:ARG2L} * 2^{16})
 \end{aligned}$$

## EXAMPLE 8-4: 16 x 16 SIGNED MULTIPLY ROUTINE

```

MOVFP ARG1L, WREG
MULWF ARG2L      ; ARG1L * ARG2L ->
                  ;   PRODH:PRODL

MOVFP PRODH, RES1 ;
MOVFP PRODL, RES0 ;

;

MOVFP ARG1H, WREG
MULWF ARG2H      ; ARG1H * ARG2H ->
                  ;   PRODH:PRODL

MOVFP PRODH, RES3 ;
MOVFP PRODL, RES2 ;

;

MOVFP ARG1L, WREG
MULWF ARG2H      ; ARG1L * ARG2H ->
                  ;   PRODH:PRODL

MOVFP PRODL, WREG ;
ADDWF RES1, F    ; Add cross
MOVFP PRODH, WREG ;   products
ADDWFC RES2, F  ;
CLRFB WREG, F   ;
ADDWFC RES3, F  ;

;

MOVFP ARG1H, WREG ;
MULWF ARG2L      ; ARG1H * ARG2L ->
                  ;   PRODH:PRODL

MOVFP PRODL, WREG ;
ADDWF RES1, F    ; Add cross
MOVFP PRODH, WREG ;   products
ADDWFC RES2, F  ;
CLRFB WREG, F   ;
ADDWFC RES3, F  ;

;

BTFS ARG2H, 7    ; ARG2H:ARG2L neg?
GOTO SIGN_ARG1  ; no, check ARG1
MOVFP ARG1L, WREG ;
SUBWF RES2      ;
MOVFP ARG1H, WREG ;
SUBWFB RES3     ;

;

SIGN_ARG1
BTFS ARG1H, 7    ; ARG1H:ARG1L neg?
GOTO CONT_CODE  ; no, done
MOVFP ARG2L, WREG ;
SUBWF RES2      ;
MOVFP ARG2H, WREG ;
SUBWFB RES3     ;

;

CONT_CODE
:

```

# PIC17C4X

---

NOTES:

## 9.0 I/O PORTS

The PIC17C4X devices have five I/O ports, PORTA through PORTE. PORTB through PORTE have a corresponding Data Direction Register (DDR), which is used to configure the port pins as inputs or outputs. These five ports are made up of 33 I/O pins. Some of these ports pins are multiplexed with alternate functions.

PORTC, PORTD, and PORTE are multiplexed with the system bus. These pins are configured as the system bus when the device's configuration bits are selected to Microprocessor or Extended Microcontroller modes. In the two other microcontroller modes, these pins are general purpose I/O.

PORTA and PORTB are multiplexed with the peripheral features of the device. These peripheral features are:

- Timer modules
- Capture module
- PWM module
- USART/SCI module
- External Interrupt pin

When some of these peripheral modules are turned on, the port pin will automatically configure to the alternate function. The modules that do this are:

- PWM module
- USART/SCI module

When a pin is automatically configured as an output by a peripheral module, the pins data direction (DDR) bit is unknown. After disabling the peripheral module, the user should re-initialize the DDR bit to the desired configuration.

The other peripheral modules (which require an input) must have their data direction bit configured appropriately.

**Note:** A pin that is a peripheral input, can be configured as an output (DDR<sub>x<y></sub> is cleared). The peripheral events will be determined by the action output on the port pin.

## 9.1 PORTA Register

PORTA is a 6-bit wide latch. PORTA does not have a corresponding Data Direction Register (DDR).

Reading PORTA reads the status of the pins.

The RA1 pin is multiplexed with TMR0 clock input, and RA4 and RA5 are multiplexed with the USART functions. The control of RA4 and RA5 as outputs is automatically configured by the USART module.

### 9.1.1 USING RA2, RA3 AS OUTPUTS

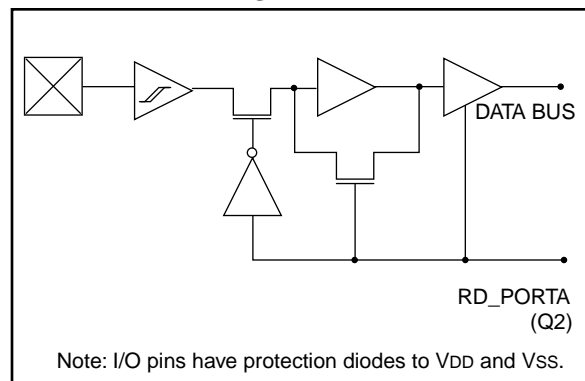
The RA2 and RA3 pins are open drain outputs. To use the RA2 or the RA3 pin(s) as output(s), simply write to the PORTA register the desired value. A '0' will cause the pin to drive low, while a '1' will cause the pin to float (hi-impedance). An external pull-up resistor should be used to pull the pin high. Writes to PORTA will not affect the other pins.

**Note:** When using the RA2 or RA3 pin(s) as output(s), read-modify-write instructions (such as BCF, BSF, BTG) on PORTA are not recommended.

Such operations read the port pins, do the desired operation, and then write this value to the data latch. This may inadvertently cause the RA2 or RA3 pins to switch from input to output (or vice-versa).

It is recommended to use a shadow register for PORTA. Do the bit operations on this shadow register and then move it to PORTA.

**FIGURE 9-1: RA0 AND RA1 BLOCK DIAGRAM**



# PIC17C4X

**FIGURE 9-2: RA2 AND RA3 BLOCK DIAGRAM**



**FIGURE 9-3: RA4 AND RA5 BLOCK DIAGRAM**



**TABLE 9-1: PORTA FUNCTIONS**

| Name                            | Bit0 | Buffer Type | Function  |
|---------------------------------|------|-------------|---|
| RA0/INT                         | bit0 | ST          | Input or external interrupt input.  |
| RA1/T0CKI                       | bit1 | ST          | Input or clock input to the TMR0 timer/counter, and/or an external interrupt input. |
| RA2                             | bit2 | ST          | Input/Output. Output is open drain type.  |
| RA3                             | bit3 | ST          | Input/Output. Output is open drain type.  |
| RA4/RX/DT                       | bit4 | ST          | Input or USART Asynchronous Receive or USART Synchronous Data.                      |
| RA5/TX/CK                       | bit5 | ST          | Input or USART Asynchronous Transmit or USART Synchronous Clock.                    |
| $\overline{\text{RBP}}\text{U}$ | bit7 | —           | Control bit for PORTB weak pull-ups.  |

Legend: ST = Schmitt Trigger input.

**TABLE 9-2: REGISTERS/BITS ASSOCIATED WITH PORTA**

| Address       | Name  | Bit 7                           | Bit 6 | Bit 5 | Bit 4 | Bit 3 | Bit 2 | Bit 1     | Bit 0   | Value on Power-on Reset | Value on all other resets (Note1) |
|---------------|-------|---------------------------------|-------|-------|-------|-------|-------|-----------|---------|-------------------------|-----------------------------------|
| 10h, Bank 0   | PORTA | $\overline{\text{RBP}}\text{U}$ | —     | RA5   | RA4   | RA3   | RA2   | RA1/T0CKI | RA0/INT | 0-xx xxxx               | 0-uu uuuu                         |
| 05h, Unbanked | T0STA | INTEDG                          | T0SE  | T0CS  | PS3   | PS2   | PS1   | PS0       | —       | 0000 000-               | 0000 000-                         |
| 13h, Bank 0   | RCSTA | SPEN                            | RC9   | SREN  | CREN  | —     | FERR  | OERR      | RC9D    | 0000 -00x               | 0000 -00u                         |
| 15h, Bank 0   | TXSTA | CSRC                            | TX9   | TXEN  | SYNC  | —     | —     | TRMT      | TX9D    | 0000 --1x               | 0000 --1u                         |

Legend: x = unknown, u = unchanged, - = unimplemented reads as '0'. Shaded cells are not used by PORTA.

Note 1: Other (non power-up) resets include: external reset through MCLR and the Watchdog Timer Reset.

## 9.2 PORTB and DDRB Registers

PORTB is an 8-bit wide bi-directional port. The corresponding data direction register is DDRB. A '1' in DDRB configures the corresponding port pin as an input. A '0' in the DDRB register configures the corresponding port pin as an output. Reading PORTB reads the status of the pins, whereas writing to it will write to the port latch.

Each of the PORTB pins has a weak internal pull-up. A single control bit can turn on all the pull-ups. This is done by clearing the  $\overline{\text{RBP}}\text{U}$  (PORTA<7>) bit. The weak pull-up is automatically turned off when the port pin is configured as an output. The pull-ups are enabled on any reset.

PORTB also has an interrupt on change feature. Only pins configured as inputs can cause this interrupt to occur (i.e. any RB7:RB0 pin configured as an output is excluded from the interrupt on change comparison). The input pins (of RB7:RB0) are compared with the value in the PORTB data latch. The "mismatch" outputs of RB7:RB0 are OR'ed together to generate the PORTB Interrupt Flag RBIF (PIR<7>).

This interrupt can wake the device from SLEEP. The user, in the interrupt service routine, can clear the interrupt by:

- Read-Write PORTB (such as; `MOVVPF PORTB, PORTB`). This will end mismatch condition.
- Then, clear the RBIF bit.

A mismatch condition will continue to set the RBIF bit. Reading then writing PORTB will end the mismatch condition, and allow the RBIF bit to be cleared.

This interrupt on mismatch feature, together with software configurable pull-ups on this port, allows easy interface to a key pad and make it possible for wake-up on key-depression. For an example, refer to AN552 in the *Embedded Control Handbook*.

The interrupt on change feature is recommended for wake-up on operations where PORTB is only used for the interrupt on change feature and key depression operation.

**FIGURE 9-4: BLOCK DIAGRAM OF RB<7:4> AND RB<1:0> PORT PINS**



# PIC17C4X

**FIGURE 9-5: BLOCK DIAGRAM OF RB3 AND RB2 PORT PINS**





Example 9-1 shows the instruction sequence to initialize PORTB. The Bank Select Register (BSR) must be selected to Bank 0 for the port to be initialized.

## EXAMPLE 9-1: INITIALIZING PORTB

```

MOVLB 0           ; Select Bank 0
CLRF  PORTB      ; Initialize PORTB by clearing
                  ; output data latches
MOVLW 0xCF       ; Value used to initialize
                  ; data direction
MOVWF  DDRB      ; Set RB<3:0> as inputs
                  ; RB<5:4> as outputs
                  ; RB<7:6> as inputs
    
```

**TABLE 9-3: PORTB FUNCTIONS**

| Name       | Bit  | Buffer Type | Function  |
|------------|------|-------------|---|
| RB0/CAP1   | bit0 | ST          | Input/Output or the RB0/CAP1 input pin. Software programmable weak pull-up and interrupt on change features.                        |
| RB1/CAP2   | bit1 | ST          | Input/Output or the RB1/CAP2 input pin. Software programmable weak pull-up and interrupt on change features.                        |
| RB2/PWM1   | bit2 | ST          | Input/Output or the RB2/PWM1 output pin. Software programmable weak pull-up and interrupt on change features.                       |
| RB3/PWM2   | bit3 | ST          | Input/Output or the RB3/PWM2 output pin. Software programmable weak pull-up and interrupt on change features.                       |
| RB4/TCLK12 | bit4 | ST          | Input/Output or the external clock input to Timer1 and Timer2. Software programmable weak pull-up and interrupt on change features. |
| RB5/TCLK3  | bit5 | ST          | Input/Output or the external clock input to Timer3. Software programmable weak pull-up and interrupt on change features.            |
| RB6        | bit6 | ST          | Input/Output pin. Software programmable weak pull-up and interrupt on change features.  |
| RB7        | bit7 | ST          | Input/Output pin. Software programmable weak pull-up and interrupt on change features.  |

Legend: ST = Schmitt Trigger input.

**TABLE 9-4: REGISTERS/BITS ASSOCIATED WITH PORTB**

| Address       | Name   | Bit 7                             | Bit 6  | Bit 5  | Bit 4  | Bit 3   | Bit 2  | Bit 1     | Bit 0   | Value on Power-on Reset | Value on all other resets (Note1) |
|---------------|--------|-----------------------------------|--------|--------|--------|---------|--------|-----------|---------|-------------------------|-----------------------------------|
| 12h, Bank 0   | PORTB  | PORTB data latch                  |        |        |        |         |        |           |         | xxxx xxxx               | uuuu uuuu                         |
| 11h, Bank 0   | DDRB   | Data direction register for PORTB |        |        |        |         |        |           |         | 1111 1111               | 1111 1111                         |
| 10h, Bank 0   | PORTA  | RBPU                              | —      | RA5    | RA4    | RA3     | RA2    | RA1/T0CKI | RA0/INT | 0-xx xxxx               | 0-uu uuuu                         |
| 06h, Unbanked | CPUSTA | —                                 | —      | STKAV  | GLINTD | T0      | PD     | —         | —       | --11 11--               | --11 qq--                         |
| 07h, Unbanked | INTSTA | PEIF                              | T0CKIF | T0IF   | INTF   | PEIE    | T0CKIE | T0IE      | INTE    | 0000 0000               | 0000 0000                         |
| 16h, Bank 1   | PIR    | RBIF                              | TMR3IF | TMR2IF | TMR1IF | CA2IF   | CA1IF  | TXIF      | RCIF    | 0000 0010               | 0000 0010                         |
| 17h, Bank 1   | PIE    | RBIE                              | TMR3IE | TMR2IE | TMR1IE | CA2IE   | CA1IE  | TXIE      | RCIE    | 0000 0000               | 0000 0000                         |
| 16h, Bank 3   | TCON1  | CA2ED1                            | CA2ED0 | CA1ED1 | CA1ED0 | T16     | TMR3CS | TMR2CS    | TMR1CS  | 0000 0000               | 0000 0000                         |
| 17h, Bank 3   | TCON2  | CA2OVF                            | CA1OVF | PWM2ON | PWM1ON | CA1/PR3 | TMR3ON | TMR2ON    | TMR1ON  | 0000 0000               | 0000 0000                         |

Legend: x = unknown, u = unchanged, - = unimplemented read as '0', q = Value depends on condition.

Shaded cells are not used by PORTB.

Note 1: Other (non power-up) resets include: external reset through  $\overline{MCLR}$  and the Watchdog Timer Reset.

# PIC17C4X

## 9.3 PORTC and DDRC Registers

PORTC is an 8-bit bi-directional port. The corresponding data direction register is DDRC. A '1' in DDRC configures the corresponding port pin as an input. A '0' in the DDRC register configures the corresponding port pin as an output. Reading PORTC reads the status of the pins, whereas writing to it will write to the port latch. PORTC is multiplexed with the system bus. When operating as the system bus, PORTC is the low order byte of the address/data bus (AD7:AD0). The timing for the system bus is shown in the Electrical Characteristics section.

**Note:** This port is configured as the system bus when the device's configuration bits are selected to Microprocessor or Extended Microcontroller modes. In the two other microcontroller modes, this port is a general purpose I/O.

Example 9-2 shows the instruction sequence to initialize PORTC. The Bank Select Register (BSR) must be selected to Bank 1 for the port to be initialized.

### EXAMPLE 9-2: INITIALIZING PORTC

```

MOVLB 1           ; Select Bank 1
CLRWF PORTC      ; Initialize PORTC data
                  ; latches before setting
                  ; the data direction
                  ; register
MOVWLW 0xCF      ; Value used to initialize
                  ; data direction
MOVWF DDRC       ; Set RC<3:0> as inputs
                  ; RC<5:4> as outputs
                  ; RC<7:6> as inputs
    
```

FIGURE 9-6: BLOCK DIAGRAM OF RC<7:0> PORT PINS



**TABLE 9-5: PORTC FUNCTIONS**

| Name    | Bit  | Buffer Type | Function                                     |
|---------|------|-------------|--|
| RC0/AD0 | bit0 | TTL         | Input/Output or system bus address/data pin. |
| RC1/AD1 | bit1 | TTL         | Input/Output or system bus address/data pin. |
| RC2/AD2 | bit2 | TTL         | Input/Output or system bus address/data pin. |
| RC3/AD3 | bit3 | TTL         | Input/Output or system bus address/data pin. |
| RC4/AD4 | bit4 | TTL         | Input/Output or system bus address/data pin. |
| RC5/AD5 | bit5 | TTL         | Input/Output or system bus address/data pin. |
| RC6/AD6 | bit6 | TTL         | Input/Output or system bus address/data pin. |
| RC7/AD7 | bit7 | TTL         | Input/Output or system bus address/data pin. |

Legend: TTL = TTL input.

**TABLE 9-6: REGISTERS/BITS ASSOCIATED WITH PORTC**

| Address     | Name  | Bit 7                             | Bit 6       | Bit 5       | Bit 4       | Bit 3       | Bit 2       | Bit 1       | Bit 0       | Value on Power-on Reset | Value on all other resets (Note1) |
|-------------|-------|-----------------------------------|-------------|-------------|-------------|-------------|-------------|-------------|-------------|-------------------------|-----------------------------------|
| 11h, Bank 1 | PORTC | RC7/<br>AD7                       | RC6/<br>AD6 | RC5/<br>AD5 | RC4/<br>AD4 | RC3/<br>AD3 | RC2/<br>AD2 | RC1/<br>AD1 | RC0/<br>AD0 | xxxx xxxx               | uuuu uuuu                         |
| 10h, Bank 1 | DDRC  | Data direction register for PORTC |             |             |             |             |             |             |             | 1111 1111               | 1111 1111                         |

Legend: x = unknown, u = unchanged.

Note 1: Other (non power-up) resets include: external reset through  $\overline{\text{MCLR}}$  and the Watchdog Timer Reset.

# PIC17C4X

## 9.4 PORTD and DDRD Registers

PORTD is an 8-bit bi-directional port. The corresponding data direction register is DDRD. A '1' in DDRD configures the corresponding port pin as an input. A '0' in the DDRD register configures the corresponding port pin as an output. Reading PORTD reads the status of the pins, whereas writing to it will write to the port latch. PORTD is multiplexed with the system bus. When operating as the system bus, PORTD is the high order byte of the address/data bus (AD15:AD8). The timing for the system bus is shown in the Electrical Characteristics section.

**Note:** This port is configured as the system bus when the device's configuration bits are selected to Microprocessor or Extended Microcontroller modes. In the two other microcontroller modes, this port is a general purpose I/O.

Example 9-3 shows the instruction sequence to initialize PORTD. The Bank Select Register (BSR) must be selected to Bank 1 for the port to be initialized.

### EXAMPLE 9-3: INITIALIZING PORTD

```

MOVLB 1           ; Select Bank 1
CLRF  PORTD      ; Initialize PORTD data
                  ; latches before setting
                  ; the data direction
                  ; register
MOV LW 0xCF      ; Value used to initialize
                  ; data direction
MOVWF DDRD       ; Set RD<3:0> as inputs
                  ; RD<5:4> as outputs
                  ; RD<7:6> as inputs
    
```

**FIGURE 9-7: PORTD BLOCK DIAGRAM (IN I/O PORT MODE)**



**TABLE 9-7: PORTD FUNCTIONS**

| Name     | Bit  | Buffer Type | Function                                     |
|----------|------|-------------|--|
| RD0/AD8  | bit0 | TTL         | Input/Output or system bus address/data pin. |
| RD1/AD9  | bit1 | TTL         | Input/Output or system bus address/data pin. |
| RD2/AD10 | bit2 | TTL         | Input/Output or system bus address/data pin. |
| RD3/AD11 | bit3 | TTL         | Input/Output or system bus address/data pin. |
| RD4/AD12 | bit4 | TTL         | Input/Output or system bus address/data pin. |
| RD5/AD13 | bit5 | TTL         | Input/Output or system bus address/data pin. |
| RD6/AD14 | bit6 | TTL         | Input/Output or system bus address/data pin. |
| RD7/AD15 | bit7 | TTL         | Input/Output or system bus address/data pin. |

Legend: TTL = TTL input.

**TABLE 9-8: REGISTERS/BITS ASSOCIATED WITH PORTD**

| Address     | Name  | Bit 7                             | Bit 6        | Bit 5        | Bit 4        | Bit 3        | Bit 2        | Bit 1       | Bit 0       | Value on Power-on Reset | Value on all other resets (Note1) |
|-------------|-------|-----------------------------------|--------------|--------------|--------------|--------------|--------------|-------------|-------------|-------------------------|-----------------------------------|
| 13h, Bank 1 | PORTD | RD7/<br>AD15                      | RD6/<br>AD14 | RD5/<br>AD13 | RD4/<br>AD12 | RD3/<br>AD11 | RD2/<br>AD10 | RD1/<br>AD9 | RD0/<br>AD8 | xxxx xxxx               | uuuu uuuu                         |
| 12h, Bank 1 | DDRD  | Data direction register for PORTD |              |              |              |              |              |             |             | 1111 1111               | 1111 1111                         |

Legend: x = unknown, u = unchanged.

Note 1: Other (non power-up) resets include: external reset through  $\overline{\text{MCLR}}$  and the Watchdog Timer Reset.

# PIC17C4X

## 9.4.1 PORTE AND DDRE REGISTER

PORTE is a 3-bit bi-directional port. The corresponding data direction register is DDRE. A '1' in DDRE configures the corresponding port pin as an input. A '0' in the DDRE register configures the corresponding port pin as an output. Reading PORTE reads the status of the pins, whereas writing to it will write to the port latch. PORTE is multiplexed with the system bus. When operating as the system bus, PORTE contains the control signals for the address/data bus (AD15:AD0). These control signals are Address Latch Enable (ALE), Output Enable ( $\overline{OE}$ ), and Write ( $\overline{WR}$ ). The control signals  $\overline{OE}$  and  $\overline{WR}$  are active low signals. The timing for the system bus is shown in the Electrical Characteristics section.

**Note:** This port is configured as the system bus when the device's configuration bits are selected to Microprocessor or Extended Microcontroller modes. In the two other microcontroller modes, this port is a general purpose I/O.

Example 9-4 shows the instruction sequence to initialize PORTE. The Bank Select Register (BSR) must be selected to Bank 1 for the port to be initialized.

### EXAMPLE 9-4: INITIALIZING PORTE

```

MOVLB 1           ; Select Bank 1
CLRWF PORTE      ; Initialize PORTE data
                  ; latches before setting
                  ; the data direction
                  ; register
MOVWL 0x03       ; Value used to initialize
                  ; data direction
MOVWF DDRE       ; Set RE<1:0> as inputs
                  ; RE<2> as outputs
                  ; RE<7:3> are always
                  ; read as '0'
    
```

**FIGURE 9-8: PORTE BLOCK DIAGRAM (IN I/O PORT MODE)**



**TABLE 9-9: PORTE FUNCTIONS**

| Name                 | Bit  | Buffer Type | Function  |
|----------------------|------|-------------|---|
| RE0/ALE              | bit0 | TTL         | Input/Output or system bus Address Latch Enable (ALE) control pin.        |
| RE1/ $\overline{OE}$ | bit1 | TTL         | Input/Output or system bus Output Enable ( $\overline{OE}$ ) control pin. |
| RE2/ $\overline{WR}$ | bit2 | TTL         | Input/Output or system bus Write ( $\overline{WR}$ ) control pin.         |

Legend: TTL = TTL input.

**TABLE 9-10: REGISTERS/BITS ASSOCIATED WITH PORTE**

| Address     | Name  | Bit 7                             | Bit 6 | Bit 5 | Bit 4 | Bit 3 | Bit 2                | Bit 1                | Bit 0   | Value on Power-on Reset | Value on all other resets (Note1) |
|-------------|-------|-----------------------------------|-------|-------|-------|-------|----------------------|----------------------|---------|-------------------------|-----------------------------------|
| 15h, Bank 1 | PORTE | —                                 | —     | —     | —     | —     | RE2/ $\overline{WR}$ | RE1/ $\overline{OE}$ | RE0/ALE | ---- -xxx               | ---- -uuu                         |
| 14h, Bank 1 | DDRE  | Data direction register for PORTE |       |       |       |       |                      |                      |         | ---- -111               | ---- -111                         |

Legend: x = unknown, u = unchanged, - = unimplemented read as '0'. Shaded cells are not used by PORTE.

Note 1: Other (non power-up) resets include: external reset through  $\overline{MCLR}$  and the Watchdog Timer Reset.

## 9.5 I/O Programming Considerations

### 9.5.1 BI-DIRECTIONAL I/O PORTS

Any instruction which writes, operates internally as a read followed by a write operation. For example, the BCF and BSF instructions read the register into the CPU, execute the bit operation, and write the result back to the register. Caution must be used when these instructions are applied to a port with both inputs and outputs defined. For example, a BSF operation on bit5 of PORTB will cause all eight bits of PORTB to be read into the CPU. Then the BSF operation takes place on bit5 and PORTB is written to the output latches. If another bit of PORTB is used as a bi-directional I/O pin (e.g. bit0) and it is defined as an input at this time, the input signal present on the pin itself would be read into the CPU and re-written to the data latch of this particular pin, overwriting the previous content. As long as the pin stays in the input mode, no problem occurs. However, if bit0 is switched into output mode later on, the content of the data latch may now be unknown.

Reading a port reads the values of the port pins. Writing to the port register writes the value to the port latch. When using read-modify-write instructions (BCF, BSF, BTG, etc.) on a port, the value of the port pins is read, the desired operation is performed with this value, and the value is then written to the port latch.

Example 9-5 shows the effect of two sequential read-modify-write instructions on an I/O port

### EXAMPLE 9-5: READ MODIFY WRITE INSTRUCTIONS ON AN I/O PORT

```

; Initial PORT settings: PORTB<7:4> Inputs
;                       PORTB<3:0> Outputs
; PORTB<7:6> have pull-ups and are
; not connected to other circuitry
;
;
;                       PORT latch  PORT pins
;                       -----  -----
;
;
;   BCF  PORTB, 7      01pp pppp   11pp pppp
;   BCF  PORTB, 6      10pp pppp   11pp pppp
;
;
;   BCF  DDRB, 7       10pp pppp   11pp pppp
;   BCF  DDRB, 6       10pp pppp   10pp pppp
;
;
; Note that the user may have expected the
; pin values to be 00pp pppp. The 2nd BCF
; caused RB7 to be latched as the pin value
; (High).
    
```

**Note:** A pin actively outputting a Low or High should not be driven from external devices in order to change the level on this pin (i.e. "wired-or", "wired-and"). The resulting high output currents may damage the device.

### 9.5.2 SUCCESSIVE OPERATIONS ON I/O PORTS

The actual write to an I/O port happens at the end of an instruction cycle, whereas for reading, the data must be valid at the beginning of the instruction cycle (Figure 9-9). Therefore, care must be exercised if a write followed by a read operation is carried out on the same I/O port. The sequence of instructions should be such to allow the pin voltage to stabilize (load dependent) before executing the instruction that reads the values on that I/O port. Otherwise, the previous state of that pin may be read into the CPU rather than the "new" state. When in doubt, it is better to separate these instructions with a NOP or another instruction not accessing this I/O port.

**FIGURE 9-9: SUCCESSIVE I/O OPERATION**





## 10.0 OVERVIEW OF TIMER RESOURCES

The PIC17C4X has four timer modules. Each module can generate an interrupt to indicate that an event has occurred. These timers are called:

- Timer0 - 16-bit timer with programmable 8-bit prescaler
- Timer1 - 8-bit timer
- Timer2 - 8-bit timer
- Timer3 - 16-bit timer

For enhanced time-base functionality, two input Captures and two Pulse Width Modulation (PWM) outputs are possible. The PWMs use the TMR1 and TMR2 resources and the input Captures use the TMR3 resource.

### 10.1 Timer0 Overview

The Timer0 module is a simple 16-bit overflow counter. The clock source can be either the internal system clock ( $F_{osc}/4$ ) or an external clock.

The Timer0 module also has a programmable prescaler option. The PS3:PS0 bits (T0STA<4:1>) determine the prescaler value. TMR0 can increment at the following rates: 1:1, 1:2, 1:4, 1:8, 1:16, 1:32, 1:64, 1:128, 1:256.

When Timer0's clock source is an external clock, the Timer0 module can be selected to increment on either the rising or falling edge.

Synchronization of the external clock occurs after the prescaler. When the prescaler is used, the external clock frequency may be higher than the device's frequency. The maximum frequency is 50 MHz, given the high and low time requirements of the clock.

### 10.2 Timer1 Overview

The Timer1 module is an 8-bit timer/counter with an 8-bit period register (PR1). When the TMR1 value rolls over from the period match value to 0h, the TMR1IF flag is set, and an interrupt will be generated when enabled. In counter mode, the clock comes from the RB4/TCLK12 pin, which can also be selected to be the clock for the Timer2 module.

TMR1 can be concatenated to TMR2 to form a 16-bit timer. The TMR1 register is the LSB and TMR2 is the MSB. When in the 16-bit timer mode, there is a corresponding 16-bit period register (PR2:PR1). When the TMR2:TMR1 value rolls over from the period match value to 0h, the TMR1IF flag is set, and an interrupt will be generated when enabled.

### 10.3 Timer2 Overview

The TMR2 module is an 8-bit timer/counter with an 8-bit period register (PR2). When the TMR2 value rolls over from the period match value to 0h, the TMR2IF flag is set, and an interrupt will be generated when enabled. In counter mode, the clock comes from the RB4/TCLK12 pin, which can also be selected to be the clock for the TMR1 module.

TMR1 can be concatenated to TMR2 to form a 16-bit timer. The TMR2 register is the MSB and TMR1 is the LSB. When in the 16-bit timer mode, there is a corresponding 16-bit period register (PR2:PR1). When the TMR2:TMR1 value rolls over from the period match value to 0h, the TMR1IF flag is set, and an interrupt will be generated when enabled.

### 10.4 Timer3 Overview

The Timer3 module is a 16-bit timer/counter with a 16-bit period register. When the TMR3H:TMR3L value rolls over to 0h, the TMR3IF bit is set and an interrupt will be generated when enabled. In counter mode, the clock comes from the RB5/TCLK3 pin.

When operating in the dual capture mode, the period registers become the second 16-bit capture register.

### 10.5 Role of the Timer/Counters

The timer modules are general purpose, but have dedicated resources associated with them. Timer1 and Timer2 are the time-bases for the two Pulse Width Modulation (PWM) outputs, while Timer3 is the time-base for the two input captures.

# PIC17C4X

---

NOTES:

## 11.0 TIMER0

The Timer0 module consists of a 16-bit timer/counter, TMR0. The high byte is TMR0H and the low byte is TMR0L. A software programmable 8-bit prescaler makes an effective 24-bit overflow timer. The clock source is also software programmable as either the internal instruction clock or the RA1/T0CKI pin. The control bits for this module are in register T0STA (Figure 11-1).

**FIGURE 11-1: T0STA REGISTER (ADDRESS: 05h, UNBANKED)**

| R/W - 0  | R/W - 0        | R/W - 0 | R/W - 0 | R/W - 0 | R/W - 0 | R/W - 0 | U - 0 |         |                |      |     |      |     |      |     |      |     |      |      |      |      |      |      |      |       |      |       |
|--|----------------|---------|---------|---------|---------|---------|-------|---------|----------------|------|-----|------|-----|------|-----|------|-----|------|------|------|------|------|------|------|-------|------|-------|
| INTEDG   | T0SE           | T0CS    | PS3     | PS2     | PS1     | PS0     | —     |         |                |      |     |      |     |      |     |      |     |      |      |      |      |      |      |      |       |      |       |
|  |                |         |         |         |         |         | bit0  |         |                |      |     |      |     |      |     |      |     |      |      |      |      |      |      |      |       |      |       |
| <p>bit 7: <b>INTEDG:</b> RA0/INT Pin Interrupt Edge Select bit<br/>           This bit selects the edge upon which the interrupt is detected<br/>           1 = Rising edge of RA0/INT pin generates interrupt<br/>           0 = Falling edge of RA0/INT pin generates interrupt</p> <p>bit 6: <b>T0SE:</b> Timer0 Clock Input Edge Select bit<br/>           This bit selects the edge upon which TMR0 will increment<br/> <u>When T0CS = 0</u><br/>           1 = Rising edge of RA1/T0CKI pin increments TMR0 and/or generates a T0CKIF interrupt<br/>           0 = Falling edge of RA1/T0CKI pin increments TMR0 and/or generates a T0CKIF interrupt<br/> <u>When T0CS = 1</u><br/>           Don't care</p> <p>bit 5: <b>T0CS:</b> Timer0 Clock Source Select bit<br/>           This bit selects the clock source for TMR0.<br/>           1 = Internal instruction clock cycle (Tcy)<br/>           0 = T0CKI pin</p> <p>bit 4-1: <b>PS3:PS0:</b> Timer0 Prescale Selection bits<br/>           These bits select the prescale value for TMR0.</p> <table border="1" style="margin-left: 40px;"> <thead> <tr> <th>PS3:PS0</th> <th>Prescale Value</th> </tr> </thead> <tbody> <tr><td>0000</td><td>1:1</td></tr> <tr><td>0001</td><td>1:2</td></tr> <tr><td>0010</td><td>1:4</td></tr> <tr><td>0011</td><td>1:8</td></tr> <tr><td>0100</td><td>1:16</td></tr> <tr><td>0101</td><td>1:32</td></tr> <tr><td>0110</td><td>1:64</td></tr> <tr><td>0111</td><td>1:128</td></tr> <tr><td>1xxx</td><td>1:256</td></tr> </tbody> </table> |                |         |         |         |         |         |       | PS3:PS0 | Prescale Value | 0000 | 1:1 | 0001 | 1:2 | 0010 | 1:4 | 0011 | 1:8 | 0100 | 1:16 | 0101 | 1:32 | 0110 | 1:64 | 0111 | 1:128 | 1xxx | 1:256 |
| PS3:PS0  | Prescale Value |         |         |         |         |         |       |         |                |      |     |      |     |      |     |      |     |      |      |      |      |      |      |      |       |      |       |
| 0000   | 1:1            |         |         |         |         |         |       |         |                |      |     |      |     |      |     |      |     |      |      |      |      |      |      |      |       |      |       |
| 0001   | 1:2            |         |         |         |         |         |       |         |                |      |     |      |     |      |     |      |     |      |      |      |      |      |      |      |       |      |       |
| 0010   | 1:4            |         |         |         |         |         |       |         |                |      |     |      |     |      |     |      |     |      |      |      |      |      |      |      |       |      |       |
| 0011   | 1:8            |         |         |         |         |         |       |         |                |      |     |      |     |      |     |      |     |      |      |      |      |      |      |      |       |      |       |
| 0100   | 1:16           |         |         |         |         |         |       |         |                |      |     |      |     |      |     |      |     |      |      |      |      |      |      |      |       |      |       |
| 0101   | 1:32           |         |         |         |         |         |       |         |                |      |     |      |     |      |     |      |     |      |      |      |      |      |      |      |       |      |       |
| 0110   | 1:64           |         |         |         |         |         |       |         |                |      |     |      |     |      |     |      |     |      |      |      |      |      |      |      |       |      |       |
| 0111   | 1:128          |         |         |         |         |         |       |         |                |      |     |      |     |      |     |      |     |      |      |      |      |      |      |      |       |      |       |
| 1xxx   | 1:256          |         |         |         |         |         |       |         |                |      |     |      |     |      |     |      |     |      |      |      |      |      |      |      |       |      |       |
| <p>bit 0: <b>Unimplemented:</b> Read as '0'</p>  |                |         |         |         |         |         |       |         |                |      |     |      |     |      |     |      |     |      |      |      |      |      |      |      |       |      |       |

R = Readable bit  
 W = Writable bit  
 U = Unimplemented, Read as '0'  
 -n = Value at POR reset

## 11.1 Timer0 Operation

When the T0CS (T0STA<5>) bit is set, TMR0 increments on the internal clock. When T0CS is clear, TMR0 increments on the external clock (RA1/T0CKI pin). The external clock edge can be configured in software. When the T0SE (T0STA<6>) bit is set, the timer will increment on the rising edge of the RA1/T0CKI pin. When T0SE is clear, the timer will increment on the falling edge of the RA1/T0CKI pin. The prescaler can be programmed to introduce a prescale of 1:1 to 1:256. The timer increments from 0000h to FFFFh and rolls over to 0000h. On overflow, the TMR0 Interrupt Flag bit (TOIF) is set. The TMR0 interrupt can be masked by clearing the corresponding TMR0 Interrupt Enable bit (TOIE). The TMR0 Interrupt Flag bit (TOIF) is automatically cleared when vectoring to the TMR0 interrupt vector.

## 11.2 Using Timer0 with External Clock

When the external clock input is used for Timer0, it is synchronized with the internal phase clocks. Figure 11-3 shows the synchronization of the external clock. This synchronization is done after the prescaler. The output of the prescaler (PSOUT) is sampled twice in every instruction cycle to detect a rising or a falling edge. The timing requirements for the external clock are detailed in the electrical specification section for the desired device.

### 11.2.1 DELAY FROM EXTERNAL CLOCK EDGE

Since the prescaler output is synchronized with the internal clocks, there is a small delay from the time the external clock edge occurs to the time TMR0 is actually incremented. Figure 11-3 shows that this delay is between  $3T_{OSC}$  and  $7T_{OSC}$ . Thus, for example, measuring the interval between two edges (e.g. period) will be accurate within  $\pm 4T_{OSC}$  ( $\pm 121$  ns @ 33 MHz).

**FIGURE 11-2: TIMER0 MODULE BLOCK DIAGRAM**



**FIGURE 11-3: TMR0 TIMING WITH EXTERNAL CLOCK (INCREMENT ON FALLING EDGE)**



## 11.3 Read/Write Consideration for TMR0

Although TMR0 is a 16-bit timer/counter, only 8-bits at a time can be read or written during a single instruction cycle. Care must be taken during any read or write.

### 11.3.1 READING 16-BIT VALUE

The problem in reading the entire 16-bit value is that after reading the low (or high) byte, its value may change from FFh to 00h.

Example 11-1 shows a 16-bit read. To ensure a proper read, interrupts must be disabled during this routine.

#### EXAMPLE 11-1: 16-BIT READ

```

MOVFP  TMR0L, TMPLO    ;read low tmr0
MOVFP  TMR0H, TMPHI    ;read high tmr0
MOVFP  TMPLO, WREG      ;tmplo -> wreg
CPFSLT TMR0L           ;tmr0l < wreg?
RETURN                               ;no then return
MOVFP  TMR0L, TMPLO    ;read low tmr0
MOVFP  TMR0H, TMPHI    ;read high tmr0
RETURN                               ;return
    
```

### 11.3.2 WRITING A 16-BIT VALUE TO TMR0

Since writing to either TMR0L or TMR0H will effectively inhibit increment of that half of the TMR0 in the next cycle (following write), but not inhibit increment of the other half, the user must write to TMR0L first and TMR0H next in two consecutive instructions, as shown in Example 11-2. The interrupt must be disabled. Any write to either TMR0L or TMR0H clears the prescaler.

#### EXAMPLE 11-2: 16-BIT WRITE

```

BSF    CPUSTA, GLINTD ; Disable interrupt
MOVFP  RAM_L, TMR0L   ;
MOVFP  RAM_H, TMR0H   ;
BCF    CPUSTA, GLINTD ; Done, enable interrupt
    
```

## 11.4 Prescaler Assignments

Timer0 has an 8-bit prescaler. The prescaler assignment is fully under software control; i.e., it can be changed “on the fly” during program execution. When changing the prescaler assignment, clearing the prescaler is recommended before changing assignment. The value of the prescaler is “unknown,” and assigning a value that is less than the present value makes it difficult to take this unknown time into account.

FIGURE 11-4: TMR0 TIMING: WRITE HIGH OR LOW BYTE



**FIGURE 11-5: TMR0 READ/WRITE IN TIMER MODE**



**TABLE 11-1: REGISTERS/BITS ASSOCIATED WITH TIMER0**

| Address       | Name   | Bit 7                    | Bit 6  | Bit 5 | Bit 4  | Bit 3           | Bit 2           | Bit 1 | Bit 0 | Value on Power-on Reset | Value on all other resets (Note1) |
|---------------|--------|--------------------------|--------|-------|--------|-----------------|-----------------|-------|-------|-------------------------|-----------------------------------|
| 05h, Unbanked | T0STA  | INTEDG                   | T0SE   | T0CS  | PS3    | PS2             | PS1             | PS0   | —     | 0000 000-               | 0000 000-                         |
| 06h, Unbanked | CPUSTA | —                        | —      | STKAV | GLINTD | $\overline{TO}$ | $\overline{PD}$ | —     | —     | --11 11--               | --11 qq--                         |
| 07h, Unbanked | INTSTA | PEIF                     | T0CKIF | T0IF  | INTF   | PEIE            | T0CKIE          | T0IE  | INTE  | 0000 0000               | 0000 0000                         |
| 0Bh, Unbanked | TMR0L  | TMR0 register; low byte  |        |       |        |                 |                 |       |       | xxxx xxxx               | uuuu uuuu                         |
| 0Ch, Unbanked | TMR0H  | TMR0 register; high byte |        |       |        |                 |                 |       |       | xxxx xxxx               | uuuu uuuu                         |

Legend: x = unknown, u = unchanged, - = unimplemented read as a '0', q - value depends on condition, Shaded cells are not used by Timer0.

Note 1: Other (non power-up) resets include: external reset through MCLR and the Watchdog Timer Reset.

## 12.0 TIMER1, TIMER2, TIMER3, PWMS AND CAPTURES

The PIC17C4X has a wealth of timers and time-based functions to ease the implementation of control applications. These time-base functions include two PWM outputs and two Capture inputs.

Timer1 and Timer2 are two 8-bit incrementing timers, each with a period register (PR1 and PR2 respectively) and separate overflow interrupt flags. Timer1 and Timer2 can operate either as timers (increment on internal Fosc/4 clock) or as counters (increment on falling edge of external clock on pin RB4/TCLK12). They are also software configurable to operate as a single 16-bit timer. These timers are also used as the time-base for the PWM (pulse width modulation) module.

Timer3 is a 16-bit timer/counter consisting of the TMR3H and TMR3L registers. This timer has four other associated registers. Two registers are used as a 16-bit period register or a 16-bit Capture1 register (PR3H/CA1H:PR3L/CA1L). The other two registers are strictly the Capture2 registers (CA2H:CA2L). Timer3 is the time-base for the two 16-bit captures.

TMR3 can be software configured to increment from the internal system clock or from an external signal on the RB5/TCLK3 pin.

Figure 12-1 and Figure 12-2 are the control registers for the operation of Timer1, Timer2, and Timer3, as well as PWM1, PWM2, Capture1, and Capture2.

**FIGURE 12-1: TCON1 REGISTER (ADDRESS: 16h, BANK 3)**

|         |         |         |         |         |         |         |         |
|---------|---------|---------|---------|---------|---------|---------|---------|
| R/W - 0 | R/W - 0 | R/W - 0 | R/W - 0 | R/W - 0 | R/W - 0 | R/W - 0 | R/W - 0 |
| CA2ED1  | CA2ED0  | CA1ED1  | CA1ED0  | T16     | TMR3CS  | TMR2CS  | TMR1CS  |
| bit7    |         |         |         | bit0    |         |         |         |

R = Readable bit  
W = Writable bit  
-n = Value at POR reset

bit 7-6: **CA2ED1:CA2ED0**: Capture2 Mode Select bits  
00 = Capture on every falling edge  
01 = Capture on every rising edge  
10 = Capture on every 4th rising edge  
11 = Capture on every 16th rising edge

bit 5-4: **CA1ED1:CA1ED0**: Capture1 Mode Select bits  
00 = Capture on every falling edge  
01 = Capture on every rising edge  
10 = Capture on every 4th rising edge  
11 = Capture on every 16th rising edge

bit 3: **T16**: Timer1:Timer2 Mode Select bit  
1 = Timer1 and Timer2 form a 16-bit timer  
0 = Timer1 and Timer2 are two 8-bit timers

bit 2: **TMR3CS**: Timer3 Clock Source Select bit  
1 = TMR3 increments off the falling edge of the RB5/TCLK3 pin  
0 = TMR3 increments off the internal clock

bit 1: **TMR2CS**: Timer2 Clock Source Select bit  
1 = TMR2 increments off the falling edge of the RB4/TCLK12 pin  
0 = TMR2 increments off the internal clock

bit 0: **TMR1CS**: Timer1 Clock Source Select bit  
1 = TMR1 increments off the falling edge of the RB4/TCLK12 pin  
0 = TMR1 increments off the internal clock

# PIC17C4X

**FIGURE 12-2: TCON2 REGISTER (ADDRESS: 17h, BANK 3)**

| R - 0  | R - 0  | R/W - 0 | R/W - 0 | R/W - 0 | R/W - 0 | R/W - 0 | R/W - 0 |
|--------|--------|---------|---------|---------|---------|---------|---------|
| CA2OVF | CA1OVF | PWM2ON  | PWM1ON  | CA1/PR3 | TMR3ON  | TMR2ON  | TMR1ON  |
|        |        |         |         |         |         |         | bit0    |

R = Readable bit  
 W = Writable bit  
 -n = Value at POR reset

bit 7: **CA2OVF**: Capture2 Overflow Status bit  
 This bit indicates that the capture value had not been read from the capture register pair (CA2H:CA2L) before the next capture event occurred. The capture register retains the oldest unread capture value (last capture before overflow). Subsequent capture events will not update the capture register with the Timer3 value until the capture register has been read (both bytes).  
 1 = Overflow occurred on Capture2 register  
 0 = No overflow occurred on Capture2 register

bit 6: **CA1OVF**: Capture1 Overflow Status bit  
 This bit indicates that the capture value had not been read from the capture register pair (PR3H/CA2H:PR3L/CA2L) before the next capture event occurred. The capture register retains the oldest unread capture value (last capture before overflow). Subsequent capture events will not update the capture register with the TMR3 value until the capture register has been read (both bytes).  
 1 = Overflow occurred on Capture1 register  
 0 = No overflow occurred on Capture1 register

bit 5: **PWM2ON**: PWM2 On bit  
 1 = PWM2 is enabled (The RB3/PWM2 pin ignores the state of the DDRB<3> bit)  
 0 = PWM2 is disabled (The RB3/PWM2 pin uses the state of the DDRB<3> bit for data direction)

bit 4: **PWM1ON**: PWM1 On bit  
 1 = PWM1 is enabled (The RB2/PWM1 pin ignores the state of the DDRB<2> bit)  
 0 = PWM1 is disabled (The RB2/PWM1 pin uses the state of the DDRB<2> bit for data direction)

bit 3: **CA1/PR3**: CA1/PR3 Register Mode Select bit  
 1 = Enables Capture1 (PR3H/CA1H:PR3L/CA1L is the Capture1 register. Timer3 runs without a period register)  
 0 = Enables the Period register (PR3H/CA1H:PR3L/CA1L is the Period register for Timer3)

bit 2: **TMR3ON**: Timer3 On bit  
 1 = Starts Timer3  
 0 = Stops Timer3

bit 1: **TMR2ON**: Timer2 On bit  
 This bit controls the incrementing of the Timer2 register. When Timer2:Timer1 form the 16-bit timer (T16 is set), TMR2ON must be set. This allows the MSB of the timer to increment.  
 1 = Starts Timer2 (Must be enabled if the T16 bit (TCON1<3>) is set)  
 0 = Stops Timer2

bit 0: **TMR1ON**: Timer1 On bit  
When T16 is set (in 16-bit Timer Mode)  
 1 = Starts 16-bit Timer2:Timer1  
 0 = Stops 16-bit Timer2:Timer1  
  
When T16 is clear (in 8-bit Timer Mode)  
 1 = Starts 8-bit Timer1  
 0 = Stops 8-bit Timer1



## 12.1 Timer1 and Timer2

### 12.1.1 TIMER1, TIMER2 IN 8-BIT MODE

Both Timer1 and Timer2 will operate in 8-bit mode when the T16 bit is clear. These two timers can be independently configured to increment from the internal instruction cycle clock or from an external clock source on the RB4/TCLK12 pin. The timer clock source is configured by the TMRxCS bit (x = 1 for Timer1 or = 2 for Timer2). When TMRxCS is clear, the clock source is internal and increments once every instruction cycle ( $F_{osc}/4$ ). When TMRxCS is set, the clock source is the RB4/TCLK12 pin, and the timer will increment on every falling edge of the RB4/TCLK12 pin.

The timer increments from 00h until it equals the Period register (PRx). It then resets to 00h at the next increment cycle. The timer interrupt flag is set when the timer is reset. TMR1 and TMR2 have individual interrupt flag bits. The TMR1 interrupt flag bit is latched into TMR1IF, and the TMR2 interrupt flag bit is latched into TMR2IF.

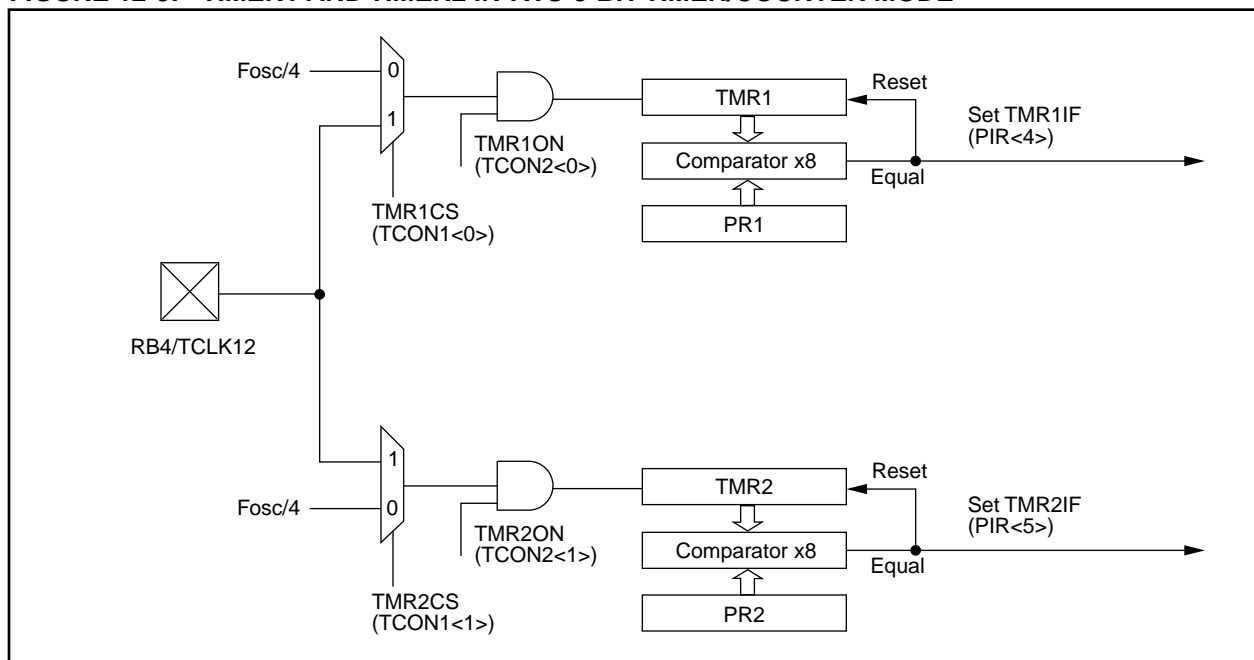
Each timer also has a corresponding interrupt enable bit (TMRxIE). The timer interrupt can be enabled by setting this bit and disabled by clearing this bit. For peripheral interrupts to be enabled, the Peripheral Interrupt Enable bit must be enabled (PEIE is set) and global interrupts must be enabled (GLINTD is cleared).

The timers can be turned on and off under software control. When the Timerx On control bit (TMRxON) is set, the timer increments from the clock source. When TMRxON is cleared, the timer is turned off and cannot cause the timer interrupt flag to be set.

### 12.1.1.1 EXTERNAL CLOCK INPUT FOR TIMER1 OR TIMER2

When TMRxCS is set, the clock source is the RB4/TCLK12 pin, and the timer will increment on every falling edge on the RB4/TCLK12 pin. The TCLK12 input is synchronized with internal phase clocks. This causes a delay from the time a falling edge appears on TCLK12 to the time TMR1 or TMR2 is actually incremented. For the external clock input timing requirements, see the Electrical Specification section.

**FIGURE 12-3: TIMER1 AND TIMER2 IN TWO 8-BIT TIMER/COUNTER MODE**



# PIC17C4X

## 12.1.2 TIMER1 & TIMER2 IN 16-BIT MODE

To select 16-bit mode, the T16 bit must be set. In this mode TMR1 and TMR2 are concatenated to form a 16-bit timer (TMR2:TMR1). The 16-bit timer increments until it matches the 16-bit period register (PR2:PR1). On the following timer clock, the timer value is reset to 0h, and the TMR1IF bit is set.

When selecting the clock source for the 16-bit timer, the TMR1CS bit controls the entire 16-bit timer and TMR2CS is a "don't care." When TMR1CS is clear, the timer increments once every instruction cycle ( $F_{osc}/4$ ). When TMR1CS is set, the timer increments on every falling edge of the RB4/TCLK12 pin. For the 16-bit timer to increment, both TMR1ON and TMR2ON bits must be set (Table 12-1).

## 12.1.2.1 EXTERNAL CLOCK INPUT FOR TMR1:TMR2

When TMR1CS is set, the 16-bit TMR2:TMR1 increments on the falling edge of clock input TCLK12. The input on the RB4/TCLK12 pin is sampled and synchronized by the internal phase clocks twice every instruction cycle. This causes a delay from the time a falling edge appears on RB4/TCLK12 to the time TMR2:TMR1 is actually incremented. For the external clock input timing requirements, see the Electrical Specification section.

**TABLE 12-1: TURNING ON 16-BIT TIMER**

| TMR2ON | TMR1ON | Result                      |
|--------|--------|-----------------------------|
| 1      | 1      | 16-bit timer (TMR2:TMR1) ON |
| 0      | 1      | Only TMR1 increments        |
| x      | 0      | 16-bit timer OFF            |

**FIGURE 12-4: TMR1 AND TMR2 IN 16-BIT TIMER/COUNTER MODE**



**TABLE 12-2: SUMMARY OF TIMER1 AND TIMER2 REGISTERS**

| Address       | Name   | Bit 7                  | Bit 6  | Bit 5  | Bit 4  | Bit 3           | Bit 2           | Bit 1  | Bit 0  | Value on Power-on Reset | Value on all other resets (Note1) |
|---------------|--------|------------------------|--------|--------|--------|-----------------|-----------------|--------|--------|-------------------------|-----------------------------------|
| 16h, Bank 3   | TCON1  | CA2ED1                 | CA2ED0 | CA1ED1 | CA1ED0 | T16             | TMR3CS          | TMR2CS | TMR1CS | 0000 0000               | 0000 0000                         |
| 17h, Bank 3   | TCON2  | CA2OVF                 | CA1OVF | PWM2ON | PWM1ON | CA1/PR3         | TMR3ON          | TMR2ON | TMR1ON | 0000 0000               | 0000 0000                         |
| 10h, Bank 2   | TMR1   | Timer1 register        |        |        |        |                 |                 |        |        | xxxx xxxx               | uuuu uuuu                         |
| 11h, Bank 2   | TMR2   | Timer2 register        |        |        |        |                 |                 |        |        | xxxx xxxx               | uuuu uuuu                         |
| 16h, Bank 1   | PIR    | RBIF                   | TMR3IF | TMR2IF | TMR1IF | CA2IF           | CA1IF           | TXIF   | RCIF   | 0000 0010               | 0000 0010                         |
| 17h, Bank 1   | PIE    | RBIE                   | TMR3IE | TMR2IE | TMR1IE | CA2IE           | CA1IE           | TXIE   | RCIE   | 0000 0000               | 0000 0000                         |
| 07h, Unbanked | INTSTA | PEIF                   | T0CKIF | T0IF   | INTF   | PEIE            | T0CKIE          | T0IE   | INTE   | 0000 0000               | 0000 0000                         |
| 06h, Unbanked | CPUSTA | —                      | —      | STKAV  | GLINTD | $\overline{TO}$ | $\overline{PD}$ | —      | —      | --11 11--               | --11 qq--                         |
| 14h, Bank 2   | PR1    | Timer1 period register |        |        |        |                 |                 |        |        | xxxx xxxx               | uuuu uuuu                         |
| 15h, Bank 2   | PR2    | Timer2 period register |        |        |        |                 |                 |        |        | xxxx xxxx               | uuuu uuuu                         |
| 10h, Bank 3   | PW1DCL | DC1                    | DC0    | —      | —      | —               | —               | —      | —      | xx-- ----               | uu-- ----                         |
| 11h, Bank 3   | PW2DCL | DC1                    | DC0    | TM2PW2 | —      | —               | —               | —      | —      | xx0- ----               | uu0- ----                         |
| 12h, Bank 3   | PW1DCH | DC9                    | DC8    | DC7    | DC6    | DC5             | DC4             | DC3    | DC2    | xxxx xxxx               | uuuu uuuu                         |
| 13h, Bank 3   | PW2DCH | DC9                    | DC8    | DC7    | DC6    | DC5             | DC4             | DC3    | DC2    | xxxx xxxx               | uuuu uuuu                         |

Legend: x = unknown, u = unchanged, - = unimplemented read as a '0', q - value depends on condition, shaded cells are not used by Timer1 or Timer2.

Note 1: Other (non power-up) resets include: external reset through  $\overline{MCLR}$  and WDT Timer Reset.

## 12.1.3 USING PULSE WIDTH MODULATION (PWM) OUTPUTS WITH TMR1 AND TMR2

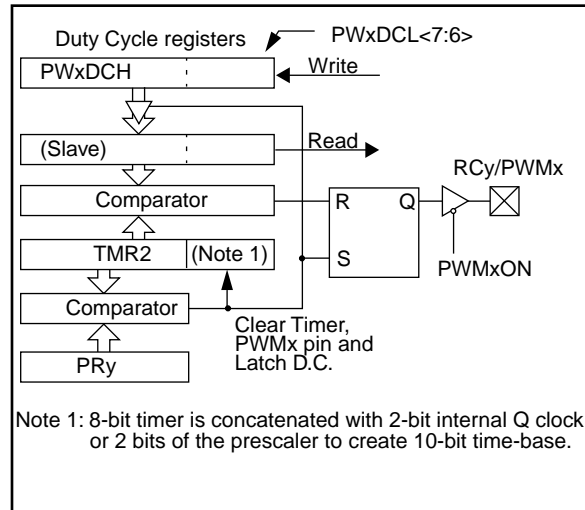
Two high speed pulse width modulation (PWM) outputs are provided. The PWM1 output uses Timer1 as its time-base, while PWM2 may be software configured to use either Timer1 or Timer2 as the time-base. The PWM outputs are on the RB2/PWM1 and RB3/PWM2 pins.

Each PWM output has a maximum resolution of 10-bits. At 10-bit resolution, the PWM output frequency is 24.4 kHz (@ 25 MHz clock) and at 8-bit resolution the PWM output frequency is 97.7 kHz. The duty cycle of the output can vary from 0% to 100%.

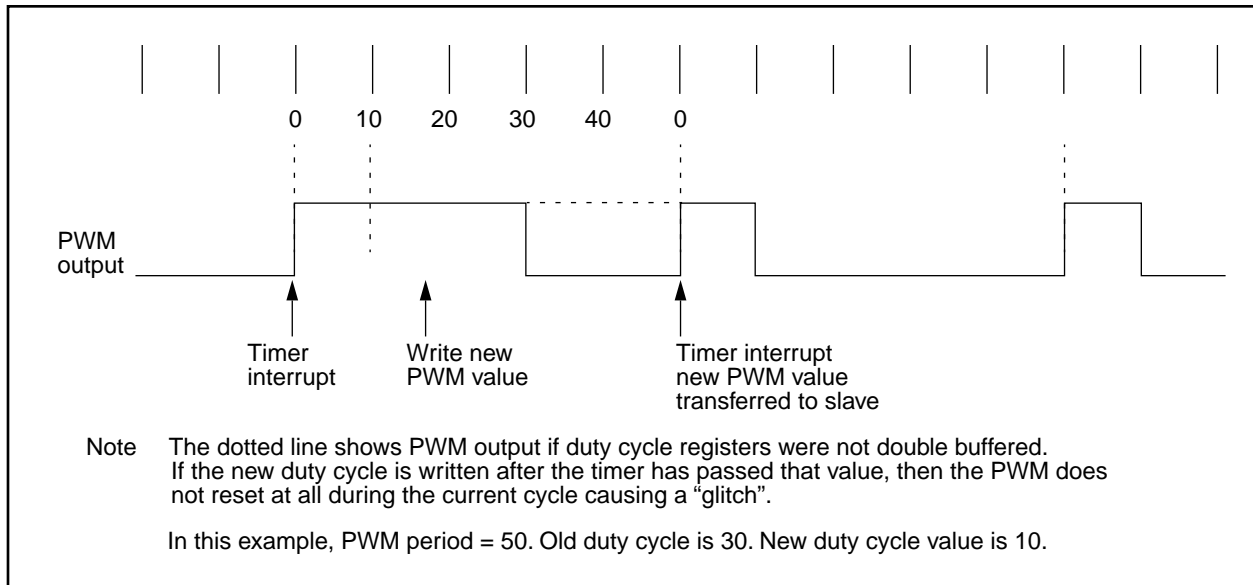
Figure 12-5 shows a simplified block diagram of the PWM module. The duty cycle register is double buffered for glitch free operation. Figure 12-6 shows how a glitch could occur if the duty cycle registers were not double buffered.

The user needs to set the PWM1ON bit (TCON2<4>) to enable the PWM1 output. When the PWM1ON bit is set, the RB2/PWM1 pin is configured as PWM1 output and forced as an output irrespective of the data direction bit (DDRB<2>). When the PWM1ON bit is clear, the pin behaves as a port pin and its direction is controlled by its data direction bit (DDRB<2>). Similarly, the PWM2ON (TCON2<5>) bit controls the configuration of the RB3/PWM2 pin.

**FIGURE 12-5: SIMPLIFIED PWM BLOCK DIAGRAM**



**FIGURE 12-6: PWM OUTPUT**



# PIC17C4X

## 12.1.3.1 PWM PERIODS

The period of the PWM1 output is determined by Timer1 and its period register (PR1). The period of the PWM2 output can be software configured to use either Timer1 or Timer2 as the time-base. When TM2PW2 bit (PW2DCL<5>) is clear, the time-base is determined by TMR1 and PR1. When TM2PW2 is set, the time-base is determined by Timer2 and PR2.

Running two different PWM outputs on two different timers allows different PWM periods. Running both PWMs from Timer1 allows the best use of resources by freeing Timer2 to operate as an 8-bit timer. Timer1 and Timer2 can not be used as a 16-bit timer if either PWM is being used.

The PWM periods can be calculated as follows:

$$\begin{aligned} \text{period of PWM1} &= [(PR1) + 1] \times 4T_{osc} \\ \text{period of PWM2} &= [(PR1) + 1] \times 4T_{osc} \quad \text{or} \\ & \quad [(PR2) + 1] \times 4T_{osc} \end{aligned}$$

The duty cycle of PWMx is determined by the 10-bit value DCx<9:0>. The upper 8-bits are from register PWxDCH and the lower 2-bits are from PWxDCL<7:6> (PWxDCH:PWxDCL<7:6>). Table 12-3 shows the maximum PWM frequency (FPWM) given the value in the period register.

The number of bits of resolution that the PWM can achieve depends on the operation frequency of the device as well as the PWM frequency (FPWM).

Maximum PWM resolution (bits) for a given PWM frequency:

$$= \frac{\log \left( \frac{F_{osc}}{F_{PWM}} \right)}{\log (2)} \quad \text{bits}$$

The PWMx duty cycle is as follows:

$$\text{PWMx Duty Cycle} = (DCx) \times T_{osc}$$

where DCx represents the 10-bit value from PWxDCH:PWxDCL.

If DCx = 0, then the duty cycle is zero. If PRx = PWxDCH, then the PWM output will be low for one to four Q-clock (depending on the state of the PWxDCL<7:6> bits). For a Duty Cycle to be 100%, the PWxDCH value must be greater than the PRx value.

The duty cycle registers for both PWM outputs are double buffered. When the user writes to these registers, they are stored in master latches. When TMR1 (or TMR2) overflows and a new PWM period begins, the master latch values are transferred to the slave latches and the PWMx pin is forced high.

**Note:** For PW1DCH, PW1DCL, PW2DCH and PW2DCL registers, a write operation writes to the "master latches" while a read operation reads the "slave latches". As a result, the user may not read back what was just written to the duty cycle registers.

The user should also avoid any "read-modify-write" operations on the duty cycle registers, such as: ADDWF PW1DCH. This may cause duty cycle outputs that are unpredictable.

**TABLE 12-3: PWM FREQUENCY vs. RESOLUTION AT 25 MHz**

| PWM Frequency       | Frequency (kHz) |       |         |       |       |
|---------------------|-----------------|-------|---------|-------|-------|
|                     | 24.4            | 48.8  | 65.104  | 97.66 | 390.6 |
| PRx Value           | 0xFF            | 0x7F  | 0x5F    | 0x3F  | 0x0F  |
| High Resolution     | 10-bit          | 9-bit | 8.5-bit | 8-bit | 6-bit |
| Standard Resolution | 8-bit           | 7-bit | 6.5-bit | 6-bit | 4-bit |

## 12.1.3.2 PWM INTERRUPTS

The PWM module makes use of TMR1 or TMR2 interrupts. A timer interrupt is generated when TMR1 or TMR2 equals its period register and is cleared to zero. This interrupt also marks the beginning of a PWM cycle. The user can write new duty cycle values before the timer roll-over. The TMR1 interrupt is latched into the TMR1IF bit and the TMR2 interrupt is latched into the TMR2IF bit. These flags must be cleared in software.

## 12.1.3.3 EXTERNAL CLOCK SOURCE

The PWMs will operate regardless of the clock source of the timer. The use of an external clock has ramifications that must be understood. Because the external TCLK12 input is synchronized internally (sampled once per instruction cycle), the time TCLK12 changes to the time the timer increments will vary by as much as TCY (one instruction cycle). This will cause jitter in the duty cycle as well as the period of the PWM output.

This jitter will be ±TCY, unless the external clock is synchronized with the processor clock. Use of one of the PWM outputs as the clock source to the TCLKx input, will supply a synchronized clock.

In general, when using an external clock source for PWM, its frequency should be much less than the device frequency (Fosc).

## 12.1.3.3.1 MAX RESOLUTION/FREQUENCY FOR EXTERNAL CLOCK INPUT

The use of an external clock for the PWM time-base (Timer1 or Timer2) limits the PWM output to a maximum resolution of 8-bits. The PWxDCL<7:6> bits must be kept cleared. Use of any other value will distort the PWM output. All resolutions are supported when internal clock mode is selected. The maximum attainable frequency is also lower. This is a result of the timing requirements of an external clock input for a timer (see the Electrical Specification section). The maximum PWM frequency, when the timers clock source is the RB4/TCLK12 pin, is shown in Table 12-3 (standard resolution mode).

## 12.2 Timer3

Timer3 is a 16-bit timer consisting of the TMR3H and TMR3L registers. TMR3H is the high byte of the timer and TMR3L is the low byte. This timer has an associated 16-bit period register (PR3H/CA1H:PR3L/CA1L). This period register can be software configured to be a second 16-bit capture register.

When the TMR3CS bit (TCON1<2>) is clear, the timer increments every instruction cycle ( $F_{osc}/4$ ). When TMR3CS is set, the timer increments on every falling edge of the RB5/TCLK3 pin. In either mode, the TMR3ON bit must be set for the timer to increment. When TMR3ON is clear, the timer will not increment or set the TMR3IF bit.

Timer3 has two modes of operation, depending on the CA1/PR3 bit (TCON2<3>). These modes are:

- One capture and one period register mode
- Dual capture register mode

The PIC17C4X has up to two 16-bit capture registers that capture the 16-bit value of TMR3 when events are detected on capture pins. There are two capture pins (RB0/CAP1 and RB1/CAP2), one for each capture register. The capture pins are multiplexed with PORTB pins. An event can be:

- a rising edge
- a falling edge
- every 4th rising edge
- every 16th rising edge

Each 16-bit capture register has an interrupt flag associated with it. The flag is set when a capture is made. The capture module is truly part of the Timer3 block. Figure 12-7 and Figure 12-8 show the block diagrams for the two modes of operation.

**TABLE 12-4: REGISTERS/BITS ASSOCIATED WITH PWM**

| Address       | Name   | Bit 7           | Bit 6  | Bit 5  | Bit 4  | Bit 3   | Bit 2  | Bit 1  | Bit 0  | Value on Power-on Reset | Value on all other resets (Note1) |
|---------------|--------|-----------------|--------|--------|--------|---------|--------|--------|--------|-------------------------|-----------------------------------|
| 16h, Bank 3   | TCON1  | CA2ED1          | CA2ED0 | CA1ED1 | CA1ED0 | T16     | TMR3CS | TMR2CS | TMR1CS | 0000 0000               | 0000 0000                         |
| 17h, Bank 3   | TCON2  | CA2OVF          | CA1OVF | PWM2ON | PWM1ON | CA1/PR3 | TMR3ON | TMR2ON | TMR1ON | 0000 0000               | 0000 0000                         |
| 10h, Bank 2   | TMR1   | Timer1 register |        |        |        |         |        |        |        | xxxx xxxx               | uuuu uuuu                         |
| 11h, Bank 2   | TMR2   | Timer2 register |        |        |        |         |        |        |        | xxxx xxxx               | uuuu uuuu                         |
| 16h, Bank 1   | PIR    | RBIF            | TMR3IF | TMR2IF | TMR1IF | CA2IF   | CA1IF  | TXIF   | RCIF   | 0000 0010               | 0000 0010                         |
| 17h, Bank 1   | PIE    | RBIE            | TMR3IE | TMR2IE | TMR1IE | CA2IE   | CA1IE  | TXIE   | RCIE   | 0000 0000               | 0000 0000                         |
| 07h, Unbanked | INTSTA | PEIF            | T0CKIF | T0IF   | INTF   | PEIE    | T0CKIE | T0IE   | INTE   | 0000 0000               | 0000 0000                         |
| 06h, Unbanked | CPUSTA | —               | —      | STKAV  | GLINTD | T0      | PD     | —      | —      | --11 11--               | --11 qg--                         |
| 10h, Bank 3   | PW1DCL | DC1             | DC0    | —      | —      | —       | —      | —      | —      | xx-- ----               | uu-- ----                         |
| 11h, Bank 3   | PW2DCL | DC1             | DC0    | TM2PW2 | —      | —       | —      | —      | —      | xx0- ----               | uu0- ----                         |
| 12h, Bank 3   | PW1DCH | DC9             | DC8    | DC7    | DC6    | DC5     | DC4    | DC3    | DC2    | xxxx xxxx               | uuuu uuuu                         |
| 13h, Bank 3   | PW2DCH | DC9             | DC8    | DC7    | DC6    | DC5     | DC4    | DC3    | DC2    | xxxx xxxx               | uuuu uuuu                         |

Legend: x = unknown, u = unchanged, - = unimplemented read as '0', q = value depends on conditions, shaded cells are not used by PWM.

## 12.2.1 ONE CAPTURE AND ONE PERIOD REGISTER MODE

In this mode registers PR3H/CA1H and PR3L/CA1L constitute a 16-bit period register. A block diagram is shown in Figure 12-7. The timer increments until it equals the period register and then resets to 0000h. TMR3 Interrupt Flag bit (TMR3IF) is set at this point. This interrupt can be disabled by clearing the TMR3 Interrupt Enable bit (TMR3IE). TMR3IF must be cleared in software.

This mode is selected if control bit CA1/PR3 is clear. In this mode, the Capture1 register, consisting of high byte (PR3H/CA1H) and low byte (PR3L/CA1L), is configured as the period control register for TMR3. Capture1 is disabled in this mode, and the corresponding Interrupt bit CA1IF is never set. TMR3 increments until it equals the value in the period register and then resets to 0000h.

Capture2 is active in this mode. The CA2ED1 and CA2ED0 bits determine the event on which capture will occur. The possible events are:

- Capture on every falling edge
- Capture on every rising edge
- Capture every 4th rising edge
- Capture every 16th rising edge

When a capture takes place, an interrupt flag is latched into the CA2IF bit. This interrupt can be enabled by setting the corresponding mask bit CA2IE. The Peripheral Interrupt Enable bit (PEIE) must be set and the Global Interrupt Disable bit (GLINTD) must be cleared for the interrupt to be acknowledged. The CA2IF interrupt flag bit must be cleared in software.

When the capture prescale select is changed, the prescaler is not reset and an event may be generated. Therefore, the first capture after such a change will be ambiguous. However, it sets the time-base for the next capture. The prescaler is reset upon chip reset.

Capture pin RB1/CAP2 is a multiplexed pin. When used as a port pin, Capture2 is not disabled. However, the user can simply disable the Capture2 interrupt by clearing CA2IE. If RB1/CAP2 is used as an output pin, the user can activate a capture by writing to the port pin. This may be useful during development phase to emulate a capture interrupt.

The input on capture pin RB1/CAP2 is synchronized internally to internal phase clocks. This imposes certain restrictions on the input waveform (see the Electrical Specification section for timing).

The Capture2 overflow status flag bit is double buffered. The master bit is set if one captured word is already residing in the Capture2 register and another "event" has occurred on the RB1/CA2 pin. The new event will not transfer the Timer3 value to the capture register, protecting the previous unread capture value. When the user reads both the high and the low bytes (in any order) of the Capture2 register, the master overflow bit is transferred to the slave overflow bit (CA2OVF) and then the master bit is reset. The user can then read TCON2 to determine the value of CA2OVF.

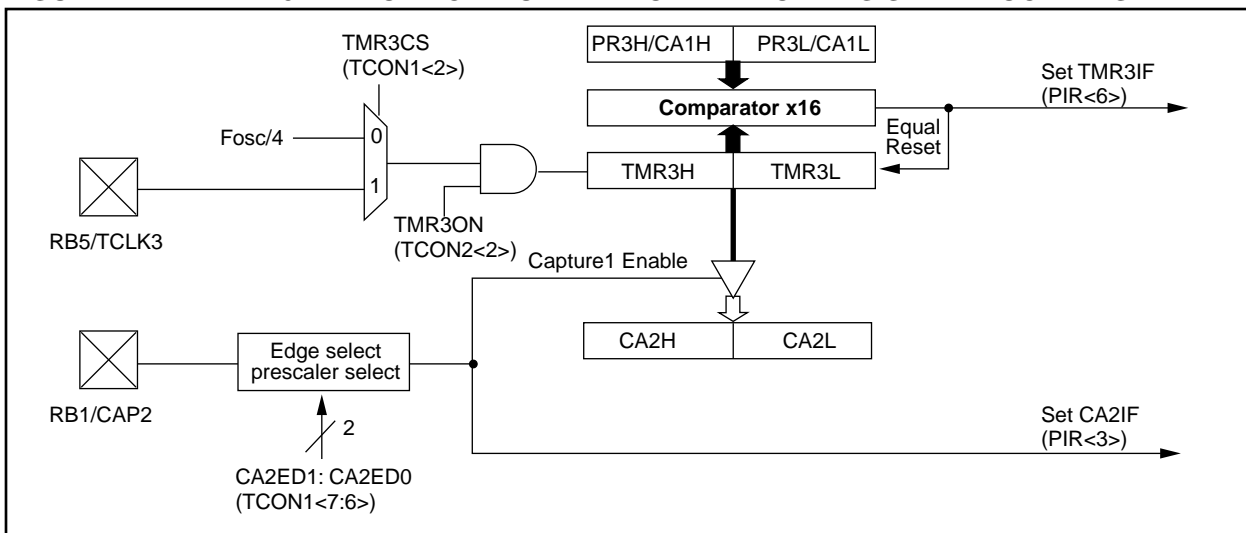
The recommended sequence to read capture registers and capture overflow flag bits is shown in Example 12-1.

### EXAMPLE 12-1: SEQUENCE TO READ CAPTURE REGISTERS

```

MOVLB 3           ;Select Bank 3
MOVWF CA2L,LO_BYTE ;Read Capture2 low
                  ;byte, store in LO_BYTE
MOVWF CA2H,HI_BYTE ;Read Capture2 high
                  ;byte, store in HI_BYTE
MOVWF TCON2,STAT_VAL ;Read TCON2 into file
                  ;STAT_VAL
    
```

**FIGURE 12-7: TIMER3 WITH ONE CAPTURE AND ONE PERIOD REGISTER BLOCK DIAGRAM**



## 12.2.2 DUAL CAPTURE REGISTER MODE

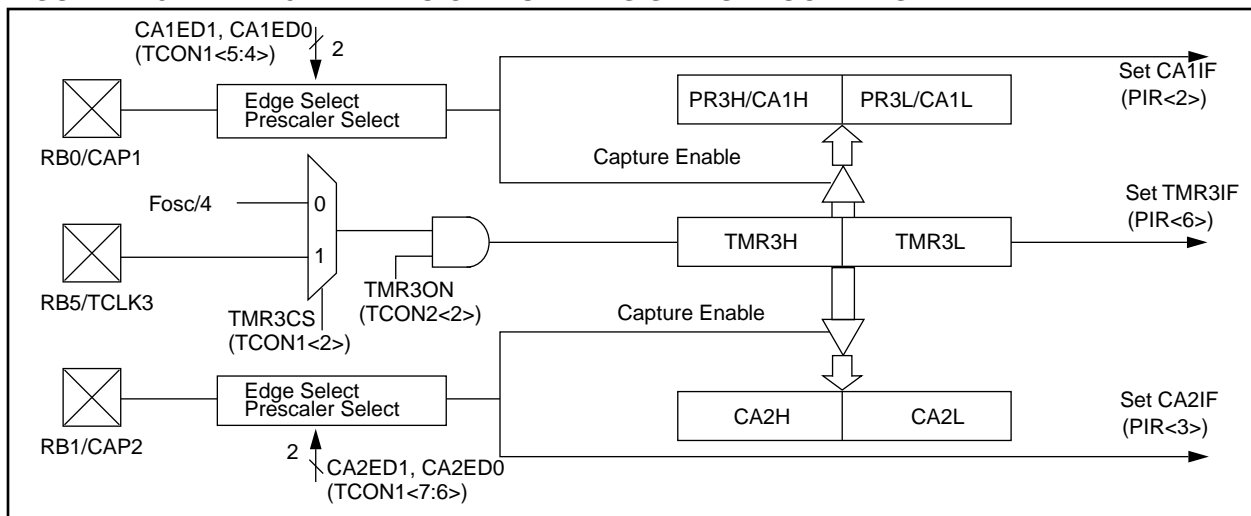
This mode is selected by setting CA1/PR3. A block diagram is shown in Figure 12-8. In this mode, TMR3 runs without a period register and increments from 0000h to FFFFh and rolls over to 0000h. The TMR3 interrupt Flag (TMR3IF) is set on this roll over. The TMR3IF bit must be cleared in software.

Registers PR3H/CA1H and PR3L/CA1L make a 16-bit capture register (Capture1). It captures events on pin RB0/CAP1. Capture mode is configured by the CA1ED1 and CA1ED0 bits. Capture1 Interrupt Flag bit (CA1IF) is set on the capture event. The corresponding interrupt mask bit is CA1IE. The Capture1 Overflow Status bit is CA1OVF.

The Capture2 overflow status flag bit is double buffered. The master bit is set if one captured word is already residing in the Capture2 register and another "event" has occurred on the RB1/CA2 pin. The new event will not transfer the TMR3 value to the capture register which protects the previous unread capture value. When the user reads both the high and the low bytes (in any order) of the Capture2 register, the master overflow bit is transferred to the slave overflow bit (CA2OVF) and then the master bit is reset. The user can then read TCON2 to determine the value of CA2OVF.

The operation of the Capture1 feature is identical to Capture2 (as described in Section 12.2.1).

**FIGURE 12-8: TIMER3 WITH TWO CAPTURE REGISTERS BLOCK DIAGRAM**



**TABLE 12-5: REGISTERS ASSOCIATED WITH CAPTURE**

| Address       | Name      | Bit 7  | Bit 6  | Bit 5  | Bit 4  | Bit 3   | Bit 2  | Bit 1  | Bit 0  | Value on Power-on Reset | Value on all other resets (Note1) |
|---------------|-----------|--|--------|--------|--------|---------|--------|--------|--------|-------------------------|-----------------------------------|
| 16h, Bank 3   | TCON1     | CA2ED1   | CA2ED0 | CA1ED1 | CA1ED0 | T16     | TMR3CS | TMR2CS | TMR1CS | 0000 0000               | 0000 0000                         |
| 17h, Bank 3   | TCON2     | CA2OVF   | CA1OVF | PWM2ON | PWM1ON | CA1/PR3 | TMR3ON | TMR2ON | TMR1ON | 0000 0000               | 0000 0000                         |
| 12h, Bank 2   | TMR3L     | TMR3 register; low byte  |        |        |        |         |        |        |        | xxxx xxxx               | uuuu uuuu                         |
| 13h, Bank 2   | TMR3H     | TMR3 register; high byte                                       |        |        |        |         |        |        |        | xxxx xxxx               | uuuu uuuu                         |
| 16h, Bank 1   | PIR       | RBIF   | TMR3IF | TMR2IF | TMR1IF | CA2IF   | CA1IF  | TXIF   | RCIF   | 0000 0010               | 0000 0010                         |
| 17h, Bank 1   | PIE       | RBIE   | TMR3IE | TMR2IE | TMR1IE | CA2IE   | CA1IE  | TXIE   | RCIE   | 0000 0000               | 0000 0000                         |
| 07h, Unbanked | INTSTA    | PEIF   | T0CKIF | T0IF   | INTF   | PEIE    | T0CKIE | T0IE   | INTE   | 0000 0000               | 0000 0000                         |
| 06h, Unbanked | CPUSTA    | —  | —      | STKAV  | GLINTD | T0      | PD     | —      | —      | --11 11--               | --11 qq--                         |
| 16h, Bank 2   | PR3L/CA1L | Timer3 period register, low byte/capture1 register, low byte   |        |        |        |         |        |        |        | xxxx xxxx               | uuuu uuuu                         |
| 17h, Bank 2   | PR3H/CA1H | Timer3 period register, high byte/capture1 register, high byte |        |        |        |         |        |        |        | xxxx xxxx               | uuuu uuuu                         |
| 14h, Bank 3   | CA2L      | Capture2 low byte  |        |        |        |         |        |        |        | xxxx xxxx               | uuuu uuuu                         |
| 15h, Bank 3   | CA2H      | Capture2 high byte   |        |        |        |         |        |        |        | xxxx xxxx               | uuuu uuuu                         |

Legend: x = unknown, u = unchanged, - = unimplemented read as '0', q - value depends on condition, shaded cells are not used by Capture.

Note 1: Other (non power-up) resets include: external reset through MCLR and WDT Timer Reset.

## 12.2.3 EXTERNAL CLOCK INPUT FOR TIMER3

When TMR3CS is set, the 16-bit TMR3 increments on the falling edge of clock input TCLK3. The input on the RB5/TCLK3 pin is sampled and synchronized by the internal phase clocks twice every instruction cycle. This causes a delay from the time a falling edge appears on TCLK3 to the time TMR3 is actually incremented. For the external clock input timing requirements, see the Electrical Specification section. Figure 12-9 shows the timing diagram when operating from an external clock.

## 12.2.4 READING/WRITING TIMER3

Since Timer3 is a 16-bit timer and only 8-bits at a time can be read or written, care should be taken when reading or writing while the timer is running. The best method to read or write the timer is to stop the timer, perform any read or write operation, and then restart Timer3 (using the TMR3ON bit). However, if it is necessary to keep Timer3 free-running, care must be taken. For writing to the 16-bit TMR3, Example 12-2 may be used. For reading the 16-bit TMR3, Example 12-3 may be used. Interrupts must be disabled during this routine.

## EXAMPLE 12-2: WRITING TO TMR3

```
BSF  CPUSTA, GLINTD ;Disable interrupt
MOVFP RAM_L,  TMR3L ;
MOVFP RAM_H,  TMR3H ;
BCF  CPUSTA, GLINTD ;Done,enable interrupt
```

## EXAMPLE 12-3: READING FROM TMR3

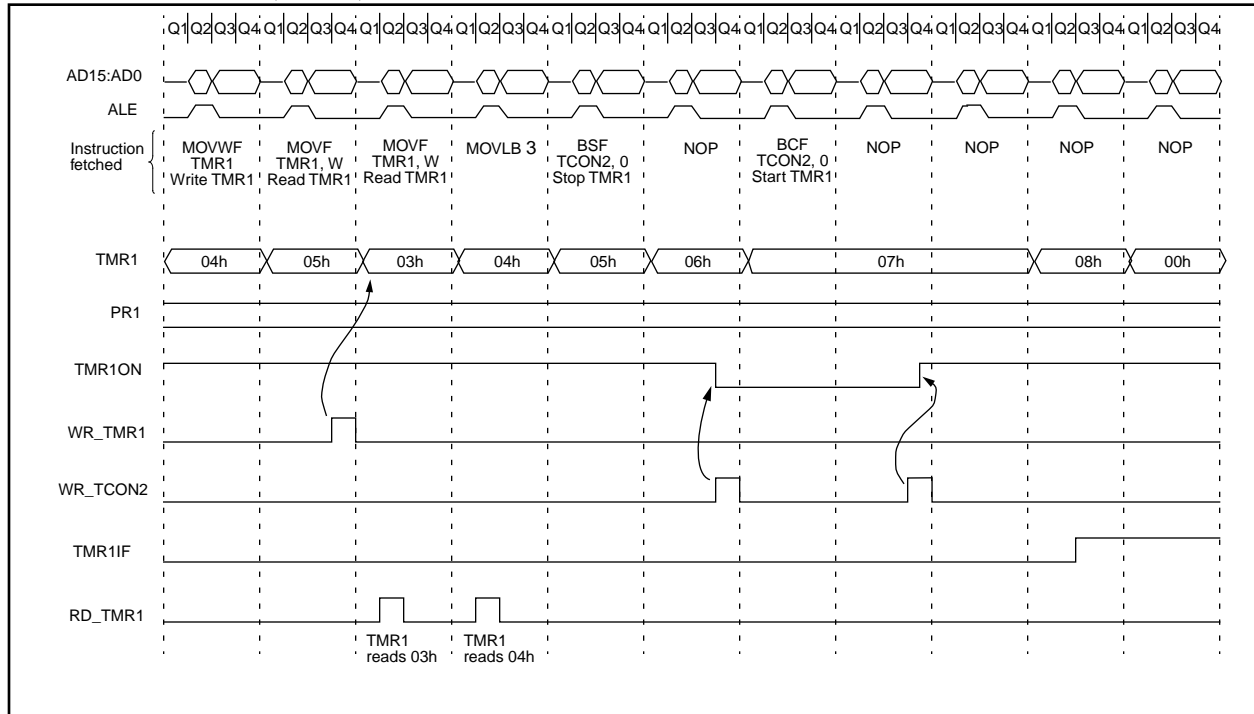
```
MOVFP TMR3L, TMPLO ;read low tmr0
MOVFP TMR3H, TMPHI ;read high tmr0
MOVFP TMPLO, WREG ;tmplo -> wreg
CPFSLT TMR3L, WREG ;tmr0l < wreg?
RETURN ;no then return
MOVFP TMR3L, TMPLO ;read low tmr0
MOVFP TMR3H, TMPHI ;read high tmr0
RETURN ;return
```

**FIGURE 12-9: TMR1, TMR2, AND TMR3 OPERATION IN EXTERNAL CLOCK MODE**





**FIGURE 12-10: TMR1, TMR2, AND TMR3 OPERATION IN TIMER MODE**



**TABLE 12-6: SUMMARY OF TMR1, TMR2, AND TMR3 REGISTERS**

| Address       | Name      | Bit 7                                      | Bit 6  | Bit 5  | Bit 4  | Bit 3   | Bit 2  | Bit 1  | Bit 0  | Value on Power-on Reset | Value on all other resets (Note1) |
|---------------|-----------|--|--------|--------|--------|---------|--------|--------|--------|-------------------------|-----------------------------------|
| 16h, Bank 3   | TCON1     | CA2ED1                                     | CA2ED0 | CA1ED1 | CA1ED0 | T16     | TMR3CS | TMR2CS | TMR1CS | 0000 0000               | 0000 0000                         |
| 17h, Bank 3   | TCON2     | CA2OVF                                     | CA1OVF | PWM2ON | PWM1ON | CA1/PR3 | TMR3ON | TMR2ON | TMR1ON | 0000 0000               | 0000 0000                         |
| 10h, Bank 2   | TMR1      | Timer1 register                            |        |        |        |         |        |        |        | xxxx xxxx               | uuuu uuuu                         |
| 11h, Bank 2   | TMR2      | Timer2 register                            |        |        |        |         |        |        |        | xxxx xxxx               | uuuu uuuu                         |
| 12h, Bank 2   | TMR3L     | TMR3 register; low byte                    |        |        |        |         |        |        |        | xxxx xxxx               | uuuu uuuu                         |
| 13h, Bank 2   | TMR3H     | TMR3 register; high byte                   |        |        |        |         |        |        |        | xxxx xxxx               | uuuu uuuu                         |
| 16h, Bank 1   | PIR       | RBIF                                       | TMR3IF | TMR2IF | TMR1IF | CA2IF   | CA1IF  | TXIF   | RCIF   | 0000 0010               | 0000 0010                         |
| 17h, Bank 1   | PIE       | RBIE                                       | TMR3IE | TMR2IE | TMR1IE | CA2IE   | CA1IE  | TXIE   | RCIE   | 0000 0000               | 0000 0000                         |
| 07h, Unbanked | INTSTA    | PEIF                                       | T0CKIF | T0IF   | INTF   | PEIE    | T0CKIE | T0IE   | INTE   | 0000 0000               | 0000 0000                         |
| 06h, Unbanked | CPUSTA    | —  | —      | STKAV  | GLINTD | T0      | PD     | —      | —      | --11 11--               | --11 qq--                         |
| 14h, Bank 2   | PR1       | Timer1 period register                     |        |        |        |         |        |        |        | xxxx xxxx               | uuuu uuuu                         |
| 15h, Bank 2   | PR2       | Timer2 period register                     |        |        |        |         |        |        |        | xxxx xxxx               | uuuu uuuu                         |
| 16h, Bank 2   | PR3L/CA1L | Timer3 period/capture1 register; low byte  |        |        |        |         |        |        |        | xxxx xxxx               | uuuu uuuu                         |
| 17h, Bank 2   | PR3H/CA1H | Timer3 period/capture1 register; high byte |        |        |        |         |        |        |        | xxxx xxxx               | uuuu uuuu                         |
| 10h, Bank 3   | PW1DCL    | DC1  | DC0    | —      | —      | —       | —      | —      | —      | xx-- ----               | uu-- ----                         |
| 11h, Bank 3   | PW2DCL    | DC1  | DC0    | TM2PW2 | —      | —       | —      | —      | —      | xx0- ----               | uu0- ----                         |
| 12h, Bank 3   | PW1DCH    | DC9  | DC8    | DC7    | DC6    | DC5     | DC4    | DC3    | DC2    | xxxx xxxx               | uuuu uuuu                         |
| 13h, Bank 3   | PW2DCH    | DC9  | DC8    | DC7    | DC6    | DC5     | DC4    | DC3    | DC2    | xxxx xxxx               | uuuu uuuu                         |
| 14h, Bank 3   | CA2L      | Capture2 low byte                          |        |        |        |         |        |        |        | xxxx xxxx               | uuuu uuuu                         |
| 15h, Bank 3   | CA2H      | Capture2 high byte                         |        |        |        |         |        |        |        | xxxx xxxx               | uuuu uuuu                         |

Legend: x = unknown, u = unchanged, - = unimplemented read as '0', q - value depends on condition, shaded cells are not used by TMR1, TMR2 or TMR3.

Note 1: Other (non power-up) resets include: external reset through  $\overline{MCLR}$  and WDT Timer Reset.

# PIC17C4X

---

NOTES:

## 13.0 UNIVERSAL SYNCHRONOUS ASYNCHRONOUS RECEIVER TRANSMITTER (USART) MODULE

The USART module is a serial I/O module. The USART can be configured as a full duplex asynchronous system that can communicate with peripheral devices such as CRT terminals and personal computers, or it can be configured as a half duplex synchronous system that can communicate with peripheral devices such as A/D or D/A integrated circuits, Serial EEPROMs etc. The USART can be configured in the following modes:

- Asynchronous (full duplex)
- Synchronous - Master (half duplex)
- Synchronous - Slave (half duplex)

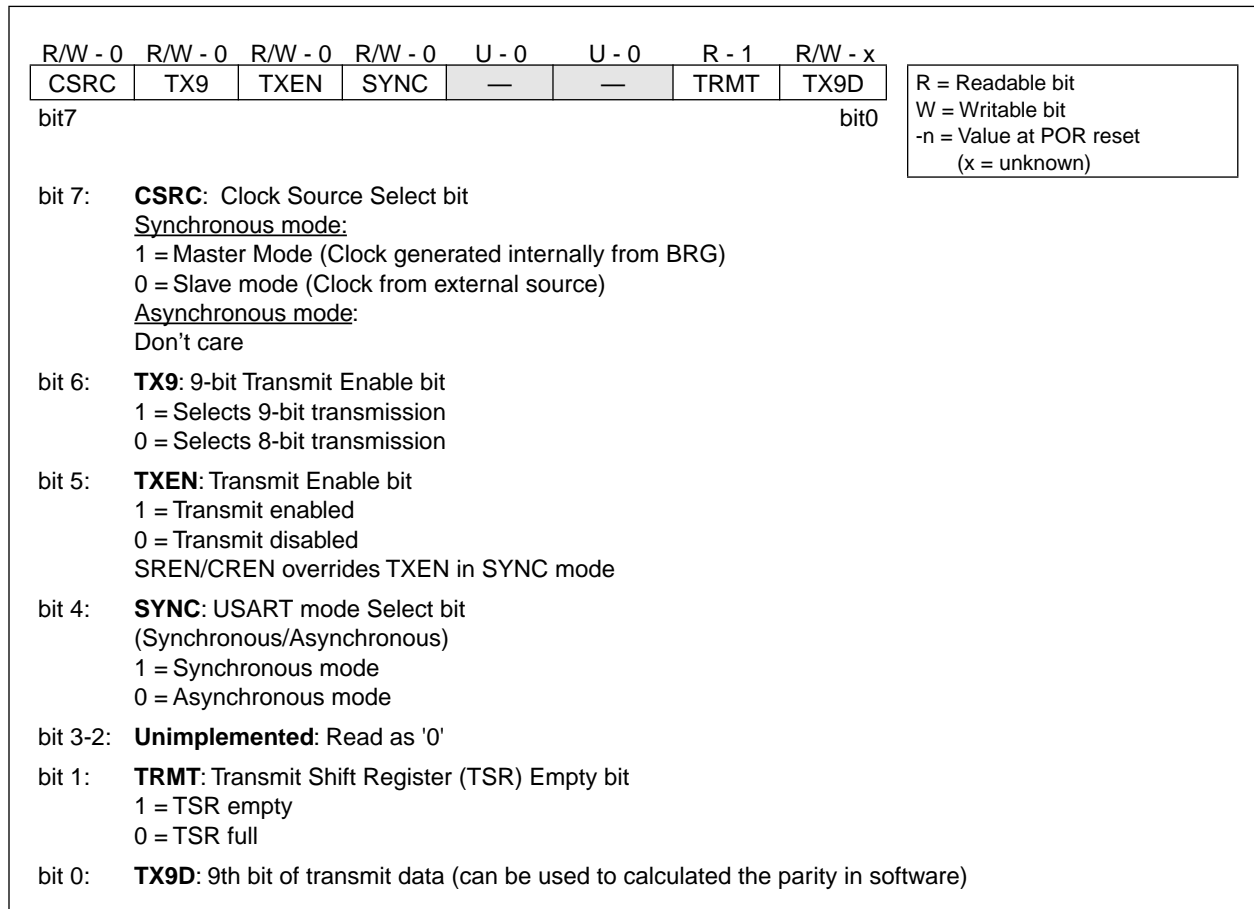
The SPEN (RCSTA<7>) bit has to be set in order to configure RA4 and RA5 as the Serial Communication Interface.

The USART module will control the direction of the RA4/RX/DT and RA5/TX/CK pins, depending on the states of the USART configuration bits in the RCSTA and TXSTA registers. The bits that control I/O direction are:

- SPEN
- TXEN
- SREN
- CREN
- CSRC

The Transmit Status And Control Register is shown in Figure 13-1, while the Receive Status And Control Register is shown in Figure 13-2.

**FIGURE 13-1: TXSTA REGISTER (ADDRESS: 15h, BANK 0)**



# PIC17C4X

**FIGURE 13-2: RCSTA REGISTER (ADDRESS: 13h, BANK 0)**

| R/W - 0 | R/W - 0 | R/W - 0 | R/W - 0 | U - 0 | R - 0 | R - 0 | R - x |
|---------|---------|---------|---------|-------|-------|-------|-------|
| SPEN    | RX9     | SREN    | CREN    | —     | FERR  | OERR  | RX9D  |
|         |         |         |         |       |       |       | bit 0 |
| bit 7   |         |         |         |       |       |       |       |

R = Readable bit  
 W = Writable bit  
 -n = Value at POR reset  
 (x = unknown)

bit 7: **SPEN**: Serial Port Enable bit  
 1 = Configures RA5/RX/DT and RA4/TX/CK pins as serial port pins  
 0 = Serial port disabled

bit 6: **RX9**: 9-bit Receive Enable bit  
 1 = Selects 9-bit reception  
 0 = Selects 8-bit reception

bit 5: **SREN**: Single Receive Enable bit  
 This bit enables the reception of a single byte. After receiving the byte, this bit is automatically cleared.  
Synchronous mode:  
 1 = Enable reception  
 0 = Disable reception  
 Note: This bit is ignored in synchronous slave reception.  
Asynchronous mode:  
 Don't care

bit 4: **CREN**: Continuous Receive Enable bit  
 This bit enables the continuous reception of serial data.  
Asynchronous mode:  
 1 = Enable reception  
 0 = Disables reception  
Synchronous mode:  
 1 = Enables continuous reception until CREN is cleared (CREN overrides SREN)  
 0 = Disables continuous reception

bit 3: **Unimplemented**: Read as '0'

bit 2: **FERR**: Framing Error bit  
 1 = Framing error (Updated by reading RCREG)  
 0 = No framing error

bit 1: **OERR**: Overrun Error bit  
 1 = Overrun (Cleared by clearing CREN)  
 0 = No overrun error

bit 0: **RX9D**: 9th bit of receive data (can be the software calculated parity bit)

**FIGURE 13-3: USART TRANSMIT**



**FIGURE 13-4: USART RECEIVE**



# PIC17C4X

## 13.1 USART Baud Rate Generator (BRG)

The BRG supports both the Asynchronous and Synchronous modes of the USART. It is a dedicated 8-bit baud rate generator. The SPBRG register controls the period of a free running 8-bit timer. Table 13-1 shows the formula for computation of the baud rate for different USART modes. These only apply when the USART is in synchronous master mode (internal clock) and asynchronous mode.

Given the desired baud rate and Fosc, the nearest integer value between 0 and 255 can be calculated using the formula below. The error in baud rate can then be determined.

**TABLE 13-1: BAUD RATE FORMULA**

| SYNC | Mode         | Baud Rate           |
|------|--------------|---------------------|
| 0    | Asynchronous | $F_{OSC}/(64(X+1))$ |
| 1    | Synchronous  | $F_{OSC}/(4(X+1))$  |

X = value in SPBRG (0 to 255)

Example 13-1 shows the calculation of the baud rate error for the following conditions:

Fosc = 16 MHz  
 Desired Baud Rate = 9600  
 SYNC = 0

### EXAMPLE 13-1: CALCULATING BAUD RATE ERROR

$$\begin{aligned} \text{Desired Baud rate} &= F_{osc} / (64 (X + 1)) \\ 9600 &= 16000000 / (64 (X + 1)) \\ X &= 25.042 = 25 \\ \text{Calculated Baud Rate} &= 16000000 / (64 (25 + 1)) \\ &= 9615 \\ \text{Error} &= \frac{(\text{Calculated Baud Rate} - \text{Desired Baud Rate})}{\text{Desired Baud Rate}} \\ &= (9615 - 9600) / 9600 \\ &= 0.16\% \end{aligned}$$

Writing a new value to the SPBRG, causes the BRG timer to be reset (or cleared), this ensures that the BRG does not wait for a timer overflow before outputting the new baud rate.

**TABLE 13-2: REGISTERS ASSOCIATED WITH BAUD RATE GENERATOR**

| Address     | Name  | Bit 7                        | Bit 6 | Bit 5 | Bit 4 | Bit 3 | Bit 2 | Bit 1 | Bit 0 | Value on Power-on Reset | Value on all other resets (Note1) |
|-------------|-------|------------------------------|-------|-------|-------|-------|-------|-------|-------|-------------------------|-----------------------------------|
| 13h, Bank 0 | RCSTA | SPEN                         | RX9   | SREN  | CREN  | —     | FERR  | OERR  | RX9D  | 0000 -00x               | 0000 -00u                         |
| 15h, Bank 0 | TXSTA | CSRC                         | TX9   | TXEN  | SYNC  | —     | —     | TRMT  | TX9D  | 0000 --1x               | 0000 --1u                         |
| 17h, Bank 0 | SPBRG | Baud rate generator register |       |       |       |       |       |       |       | xxxx xxxx               | uuuu uuuu                         |

Legend: x = unknown, u = unchanged, - = unimplemented read as a '0', shaded cells are not used by the Baud Rate Generator.

Note 1: Other (non power-up) resets include: external reset through  $\overline{MCLR}$  and Watchdog Timer Reset.

**TABLE 13-3: BAUD RATES FOR SYNCHRONOUS MODE**

| BAUD RATE (K) | FOSC = 33 MHz |        |                       | FOSC = 25 MHz |        |                       | FOSC = 20 MHz |        |                       | FOSC = 16 MHz |        |                       |
|---------------|---------------|--------|-----------------------|---------------|--------|-----------------------|---------------|--------|-----------------------|---------------|--------|-----------------------|
|               | KBAUD         | %ERROR | SPBRG value (decimal) | KBAUD         | %ERROR | SPBRG value (decimal) | KBAUD         | %ERROR | SPBRG value (decimal) | KBAUD         | %ERROR | SPBRG value (decimal) |
| 0.3           | NA            | —      | —                     | NA            | —      | —                     | NA            | —      | —                     | NA            | —      | —                     |
| 1.2           | NA            | —      | —                     | NA            | —      | —                     | NA            | —      | —                     | NA            | —      | —                     |
| 2.4           | NA            | —      | —                     | NA            | —      | —                     | NA            | —      | —                     | NA            | —      | —                     |
| 9.6           | NA            | —      | —                     | NA            | —      | —                     | NA            | —      | —                     | NA            | —      | —                     |
| 19.2          | NA            | —      | —                     | NA            | —      | —                     | 19.53         | +1.73  | 255                   | 19.23         | +0.16  | 207                   |
| 76.8          | 77.10         | +0.39  | 106                   | 77.16         | +0.47  | 80                    | 76.92         | +0.16  | 64                    | 76.92         | +0.16  | 51                    |
| 96            | 95.93         | -0.07  | 85                    | 96.15         | +0.16  | 64                    | 96.15         | +0.16  | 51                    | 95.24         | -0.79  | 41                    |
| 300           | 294.64        | -1.79  | 27                    | 297.62        | -0.79  | 20                    | 294.1         | -1.96  | 16                    | 307.69        | +2.56  | 12                    |
| 500           | 485.29        | -2.94  | 16                    | 480.77        | -3.85  | 12                    | 500           | 0      | 9                     | 500           | 0      | 7                     |
| HIGH          | 8250          | —      | 0                     | 6250          | —      | 0                     | 5000          | —      | 0                     | 4000          | —      | 0                     |
| LOW           | 32.22         | —      | 255                   | 24.41         | —      | 255                   | 19.53         | —      | 255                   | 15.625        | —      | 255                   |

| BAUD RATE (K) | FOSC = 10 MHz |        |                       | FOSC = 7.159 MHz |        |                       | FOSC = 5.068 MHz |        |                       |
|---------------|---------------|--------|-----------------------|------------------|--------|-----------------------|------------------|--------|-----------------------|
|               | KBAUD         | %ERROR | SPBRG value (decimal) | KBAUD            | %ERROR | SPBRG value (decimal) | KBAUD            | %ERROR | SPBRG value (decimal) |
| 0.3           | NA            | —      | —                     | NA               | —      | —                     | NA               | —      | —                     |
| 1.2           | NA            | —      | —                     | NA               | —      | —                     | NA               | —      | —                     |
| 2.4           | NA            | —      | —                     | NA               | —      | —                     | NA               | —      | —                     |
| 9.6           | 9.766         | +1.73  | 255                   | 9.622            | +0.23  | 185                   | 9.6              | 0      | 131                   |
| 19.2          | 19.23         | +0.16  | 129                   | 19.24            | +0.23  | 92                    | 19.2             | 0      | 65                    |
| 76.8          | 75.76         | -1.36  | 32                    | 77.82            | +1.32  | 22                    | 79.2             | +3.13  | 15                    |
| 96            | 96.15         | +0.16  | 25                    | 94.20            | -1.88  | 18                    | 97.48            | +1.54  | 12                    |
| 300           | 312.5         | +4.17  | 7                     | 298.3            | -0.57  | 5                     | 316.8            | +5.60  | 3                     |
| 500           | 500           | 0      | 4                     | NA               | —      | —                     | NA               | —      | —                     |
| HIGH          | 2500          | —      | 0                     | 1789.8           | —      | 0                     | 1267             | —      | 0                     |
| LOW           | 9.766         | —      | 255                   | 6.991            | —      | 255                   | 4.950            | —      | 255                   |

| BAUD RATE (K) | Fosc = 3.579 MHz |        |                       | FOSC = 1 MHz |        |                       | FOSC = 32.768 kHz |        |                       |
|---------------|------------------|--------|-----------------------|--------------|--------|-----------------------|-------------------|--------|-----------------------|
|               | KBAUD            | %ERROR | SPBRG value (decimal) | KBAUD        | %ERROR | SPBRG value (decimal) | KBAUD             | %ERROR | SPBRG value (decimal) |
| 0.3           | NA               | —      | —                     | NA           | —      | —                     | 0.303             | +1.14  | 26                    |
| 1.2           | NA               | —      | —                     | 1.202        | +0.16  | 207                   | 1.170             | -2.48  | 6                     |
| 2.4           | NA               | —      | —                     | 2.404        | +0.16  | 103                   | NA                | —      | —                     |
| 9.6           | 9.622            | +0.23  | 92                    | 9.615        | +0.16  | 25                    | NA                | —      | —                     |
| 19.2          | 19.04            | -0.83  | 46                    | 19.24        | +0.16  | 12                    | NA                | —      | —                     |
| 76.8          | 74.57            | -2.90  | 11                    | 83.34        | +8.51  | 2                     | NA                | —      | —                     |
| 96            | 99.43            | -3.57  | 8                     | NA           | —      | —                     | NA                | —      | —                     |
| 300           | 298.3            | -0.57  | 2                     | NA           | —      | —                     | NA                | —      | —                     |
| 500           | NA               | —      | —                     | NA           | —      | —                     | NA                | —      | —                     |
| HIGH          | 894.9            | —      | 0                     | 250          | —      | 0                     | 8.192             | —      | 0                     |
| LOW           | 3.496            | —      | 255                   | 0.976        | —      | 255                   | 0.032             | —      | 255                   |

# PIC17C4X

**TABLE 13-4: BAUD RATES FOR ASYNCHRONOUS MODE**

| BAUD RATE (K) | FOSC = 33 MHz |        |                       | FOSC = 25 MHz |        |                       | FOSC = 20 MHz |        |                       | FOSC = 16 MHz |        |                       |
|---------------|---------------|--------|-----------------------|---------------|--------|-----------------------|---------------|--------|-----------------------|---------------|--------|-----------------------|
|               | KBAUD         | %ERROR | SPBRG value (decimal) | KBAUD         | %ERROR | SPBRG value (decimal) | KBAUD         | %ERROR | SPBRG value (decimal) | KBAUD         | %ERROR | SPBRG value (decimal) |
| 0.3           | NA            | —      | —                     | NA            | —      | —                     | NA            | —      | —                     | NA            | —      | —                     |
| 1.2           | NA            | —      | —                     | NA            | —      | —                     | 1.221         | +1.73  | 255                   | 1.202         | +0.16  | 207                   |
| 2.4           | 2.398         | -0.07  | 214                   | 2.396         | 0.14   | 162                   | 2.404         | +0.16  | 129                   | 2.404         | +0.16  | 103                   |
| 9.6           | 9.548         | -0.54  | 53                    | 9.53          | -0.76  | 40                    | 9.469         | -1.36  | 32                    | 9.615         | +0.16  | 25                    |
| 19.2          | 19.09         | -0.54  | 26                    | 19.53         | +1.73  | 19                    | 19.53         | +1.73  | 15                    | 19.23         | +0.16  | 12                    |
| 76.8          | 73.66         | -4.09  | 6                     | 78.13         | +1.73  | 4                     | 78.13         | +1.73  | 3                     | 83.33         | +8.51  | 2                     |
| 96            | 103.12        | +7.42  | 4                     | 97.65         | +1.73  | 3                     | 104.2         | +8.51  | 2                     | NA            | —      | —                     |
| 300           | 257.81        | -14.06 | 1                     | 390.63        | +30.21 | 0                     | 312.5         | +4.17  | 0                     | NA            | —      | —                     |
| 500           | 515.62        | +3.13  | 0                     | NA            | —      | —                     | NA            | —      | —                     | NA            | —      | —                     |
| HIGH          | 515.62        | —      | 0                     | —             | —      | 0                     | 312.5         | —      | 0                     | 250           | —      | 0                     |
| LOW           | 2.014         | —      | 255                   | 1.53          | —      | 255                   | 1.221         | —      | 255                   | 0.977         | —      | 255                   |

| BAUD RATE (K) | Fosc = 10 MHz |        |                       | FOSC = 7.159 MHz |        |                       | FOSC = 5.068 MHz |        |                       |
|---------------|---------------|--------|-----------------------|------------------|--------|-----------------------|------------------|--------|-----------------------|
|               | KBAUD         | %ERROR | SPBRG value (decimal) | KBAUD            | %ERROR | SPBRG value (decimal) | KBAUD            | %ERROR | SPBRG value (decimal) |
| 0.3           | NA            | —      | —                     | NA               | —      | —                     | 0.31             | +3.13  | 255                   |
| 1.2           | 1.202         | +0.16  | 129                   | 1.203            | -0.23  | 92                    | 1.2              | 0      | 65                    |
| 2.4           | 2.404         | +0.16  | 64                    | 2.380            | -0.83  | 46                    | 2.4              | 0      | 32                    |
| 9.6           | 9.766         | +1.73  | 15                    | 9.322            | -2.90  | 11                    | 9.9              | -3.13  | 7                     |
| 19.2          | 19.53         | +1.73  | 7                     | 18.64            | -2.90  | 5                     | 19.8             | +3.13  | 3                     |
| 76.8          | 78.13         | +1.73  | 1                     | NA               | —      | —                     | 79.2             | +3.13  | 0                     |
| 96            | NA            | —      | —                     | NA               | —      | —                     | NA               | —      | —                     |
| 300           | NA            | —      | —                     | NA               | —      | —                     | NA               | —      | —                     |
| 500           | NA            | —      | —                     | NA               | —      | —                     | NA               | —      | —                     |
| HIGH          | 156.3         | —      | 0                     | 111.9            | —      | 0                     | 79.2             | —      | 0                     |
| LOW           | 0.610         | —      | 255                   | 0.437            | —      | 255                   | 0.309            | —      | 255                   |

| BAUD RATE (K) | Fosc = 3.579 MHz |        |                       | FOSC = 1 MHz |        |                       | FOSC = 32.768 kHz |        |                       |
|---------------|------------------|--------|-----------------------|--------------|--------|-----------------------|-------------------|--------|-----------------------|
|               | KBAUD            | %ERROR | SPBRG value (decimal) | KBAUD        | %ERROR | SPBRG value (decimal) | KBAUD             | %ERROR | SPBRG value (decimal) |
| 0.3           | 0.301            | +0.23  | 185                   | 0.300        | +0.16  | 51                    | 0.256             | -14.67 | 1                     |
| 1.2           | 1.190            | -0.83  | 46                    | 1.202        | +0.16  | 12                    | NA                | —      | —                     |
| 2.4           | 2.432            | +1.32  | 22                    | 2.232        | -6.99  | 6                     | NA                | —      | —                     |
| 9.6           | 9.322            | -2.90  | 5                     | NA           | —      | —                     | NA                | —      | —                     |
| 19.2          | 18.64            | -2.90  | 2                     | NA           | —      | —                     | NA                | —      | —                     |
| 76.8          | NA               | —      | —                     | NA           | —      | —                     | NA                | —      | —                     |
| 96            | NA               | —      | —                     | NA           | —      | —                     | NA                | —      | —                     |
| 300           | NA               | —      | —                     | NA           | —      | —                     | NA                | —      | —                     |
| 500           | NA               | —      | —                     | NA           | —      | —                     | NA                | —      | —                     |
| HIGH          | 55.93            | —      | 0                     | 15.63        | —      | 0                     | 0.512             | —      | 0                     |
| LOW           | 0.218            | —      | 255                   | 0.061        | —      | 255                   | 0.002             | —      | 255                   |



## 13.2 USART Asynchronous Mode

In this mode, the USART uses standard nonreturn-to-zero (NRZ) format (one start bit, eight or nine data bits, and one stop bit). The most common data format is 8-bits. An on-chip dedicated 8-bit baud rate generator can be used to derive standard baud rate frequencies from the oscillator. The USART's transmitter and receiver are functionally independent but use the same data format and baud rate. The baud rate generator produces a clock x64 of the bit shift rate. Parity is not supported by the hardware, but can be implemented in software (and stored as the ninth data bit). Asynchronous mode is stopped during SLEEP.

The asynchronous mode is selected by clearing the SYNC bit (TXSTA<4>).

The USART Asynchronous module consists of the following important elements:

- Baud Rate Generator
- Sampling Circuit
- Asynchronous Transmitter
- Asynchronous Receiver

### 13.2.1 USART ASYNCHRONOUS TRANSMITTER

The USART transmitter block diagram is shown in Figure 13-3. The heart of the transmitter is the transmit shift register (TSR). The shift register obtains its data from the read/write transmit buffer (TXREG). TXREG is loaded with data in software. The TSR is not loaded until the stop bit has been transmitted from the previous load. As soon as the stop bit is transmitted, the TSR is loaded with new data from the TXREG (if available). Once TXREG transfers the data to the TSR (occurs in one T<sub>CY</sub> at the end of the current BRG cycle), the TXREG is empty and an interrupt bit, TXIF (PIR<1>) is set. This interrupt can be enabled or disabled by the TXIE bit (PIE<1>). TXIF will be set regardless of TXIE and cannot be reset in software. It will reset only when new data is loaded into TXREG. While TXIF indicates the status of the TXREG, the TRMT (TXSTA<1>) bit shows the status of the TSR. TRMT is a read only bit which is set when the TSR is empty. No interrupt logic is tied to this bit, so the user has to poll this bit in order to determine if the TSR is empty.

**Note:** The TSR is not mapped in data memory, so it is not available to the user.

Transmission is enabled by setting the TXEN (TXSTA<5>) bit. The actual transmission will not occur until TXREG has been loaded with data and the baud rate generator (BRG) has produced a shift clock (Figure 13-5). The transmission can also be started by first loading TXREG and then setting TXEN. Normally when transmission is first started, the TSR is empty, so a transfer to TXREG will result in an immediate transfer to TSR resulting in an empty TXREG. A back-to-back transfer is thus possible (Figure 13-6). Clearing TXEN during a transmission will cause the transmission to be aborted. This will reset the transmitter and the RA5/TX/CK pin will revert to hi-impedance.

In order to select 9-bit transmission, the TX9 (TXSTA<6>) bit should be set and the ninth bit should be written to TX9D (TXSTA<0>). The ninth bit must be written before writing the 8-bit data to the TXREG. This is because a data write to TXREG can result in an immediate transfer of the data to the TSR (if the TSR is empty).

Steps to follow when setting up an Asynchronous Transmission:

1. Initialize the SPBRG register for the appropriate baud rate.
2. Enable the asynchronous serial port by clearing the SYNC bit and setting the SPEN bit.
3. If interrupts are desired, then set the TXIE bit.
4. If 9-bit transmission is desired, then set the TX9 bit.
5. Load data to the TXREG register.
6. If 9-bit transmission is selected, the ninth bit should be loaded in TX9D.
7. Enable the transmission by setting TXEN (starts transmission).

Writing the transmit data to the TXREG, then enabling the transmit (setting TXEN) allows transmission to start sooner than doing these two events in the opposite order.

**Note:** To terminate a transmission, either clear the SPEN bit, or the TXEN bit. This will reset the transmit logic, so that it will be in the proper state when transmit is re-enabled.

# PIC17C4X

**FIGURE 13-5: ASYNCHRONOUS MASTER TRANSMISSION**



**FIGURE 13-6: ASYNCHRONOUS MASTER TRANSMISSION (BACK TO BACK)**



**TABLE 13-5: REGISTERS ASSOCIATED WITH ASYNCHRONOUS TRANSMISSION**

| Address     | Name  | Bit 7                         | Bit 6  | Bit 5  | Bit 4  | Bit 3 | Bit 2 | Bit 1 | Bit 0 | Value on Power-on Reset | Value on all other resets (Note1) |
|-------------|-------|-------------------------------|--------|--------|--------|-------|-------|-------|-------|-------------------------|-----------------------------------|
| 16h, Bank 1 | PIR   | RBIF                          | TMR3IF | TMR2IF | TMR1IF | CA2IF | CA1IF | TXIF  | RCIF  | 0000 0010               | 0000 0010                         |
| 13h, Bank 0 | RCSTA | SPEN                          | RX9    | SREN   | CREN   | —     | FERR  | OERR  | RX9D  | 0000 -00x               | 0000 -00u                         |
| 16h, Bank 0 | TXREG | Serial port transmit register |        |        |        |       |       |       |       | xxxx xxxx               | uuuu uuuu                         |
| 17h, Bank 1 | PIE   | RBIE                          | TMR3IE | TMR2IE | TMR1IE | CA2IE | CA1IE | TXIE  | RCIE  | 0000 0000               | 0000 0000                         |
| 15h, Bank 0 | TXSTA | CSRC                          | TX9    | TXEN   | SYNC   | —     | —     | TRMT  | TX9D  | 0000 --1x               | 0000 --1u                         |
| 17h, Bank 0 | SPBRG | Baud rate generator register  |        |        |        |       |       |       |       | xxxx xxxx               | uuuu uuuu                         |

Legend: x = unknown, u = unchanged, - = unimplemented read as a '0', shaded cells are not used for asynchronous transmission.

Note 1: Other (non power-up) resets include: external reset through  $\overline{MCLR}$  and Watchdog Timer Reset.

## 13.2.2 USART ASYNCHRONOUS RECEIVER

The receiver block diagram is shown in Figure 13-4. The data comes in the RA4/RX/DT pin and drives the data recovery block. The data recovery block is actually a high speed shifter operating at 16 times the baud rate, whereas the main receive serial shifter operates at the bit rate or at FOSC.

Once asynchronous mode is selected, reception is enabled by setting bit CREN (RCSTA<4>).

The heart of the receiver is the receive (serial) shift register (RSR). After sampling the stop bit, the received data in the RSR is transferred to the RCREG (if it is empty). If the transfer is complete, the interrupt bit RCIF (PIR<0>) is set. The actual interrupt can be enabled/disabled by setting/clearing the RCIE (PIE<0>) bit. RCIF is a read only bit which is cleared by the hardware. It is cleared when RCREG has been read and is empty. RCREG is a double buffered register; (i.e. it is a two deep FIFO). It is possible for two bytes of data to be received and transferred to the RCREG FIFO and a third byte begin shifting to the RSR. On detection of the stop bit of the third byte, if the RCREG is still full, then the overrun error bit, OERR (RCSTA<1>) will be set. The word in the RSR will be lost. RCREG can be read twice to retrieve the two bytes in the FIFO. The OERR bit has to be cleared in software which is done by resetting the receive logic (CREN is set). If the OERR bit is set, transfers from the RSR to RCREG are inhibited, so it is essential to clear the OERR bit if it is set. The framing error bit FERR (RCSTA<2>) is set if a stop bit is not detected.

**Note:** The FERR and the 9th receive bit are buffered the same way as the receive data. Reading the RCREG register will allow the RX9D and FERR bits to be loaded with values for the next received Received data; therefore, it is essential for the user to read the RCSTA register before reading RCREG in order not to lose the old FERR and RX9D information.

## 13.2.3 SAMPLING

The data on the RA4/RX/DT pin is sampled three times by a majority detect circuit to determine if a high or a low level is present at the RA4/RX/DT pin. The sampling is done on the seventh, eighth and ninth falling edges of a x16 clock (Figure 11-3).

The x16 clock is a free running clock, and the three sample points occur at a frequency of every 16 falling edges.

**FIGURE 13-7: RX PIN SAMPLING SCHEME**



# PIC17C4X

Steps to follow when setting up an Asynchronous Reception:

1. Initialize the SPBRG register for the appropriate baud rate.
2. Enable the asynchronous serial port by clearing the SYNC bit and setting the SPEN bit.
3. If interrupts are desired, then set the RCIE bit.
4. If 9-bit reception is desired, then set the RX9 bit.
5. Enable the reception by setting the CREN bit.
6. The RCIF bit will be set when reception completes and an interrupt will be generated if the RCIE bit was set.

7. Read RCSTA to get the ninth bit (if enabled) and FERR bit to determine if any error occurred during reception.
8. Read RCREG for the 8-bit received data.
9. If an overrun error occurred, clear the error by clearing the OERR bit.

**Note:** To terminate a reception, either clear the SREN and CREN bits, or the SPEN bit. This will reset the receive logic, so that it will be in the proper state when receive is re-enabled.

**FIGURE 13-8: ASYNCHRONOUS RECEPTION**



**TABLE 13-6: REGISTERS ASSOCIATED WITH ASYNCHRONOUS RECEPTION**

| Address     | Name  | Bit 7                        | Bit 6  | Bit 5  | Bit 4  | Bit 3 | Bit 2 | Bit 1 | Bit 0 | Value on Power-on Reset | Value on all other resets (Note1) |
|-------------|-------|------------------------------|--------|--------|--------|-------|-------|-------|-------|-------------------------|-----------------------------------|
| 16h, Bank 1 | PIR   | RBIF                         | TMR3IF | TMR2IF | TMR1IF | CA2IF | CA1IF | TXIF  | RCIF  | 0000 0010               | 0000 0010                         |
| 13h, Bank 0 | RCSTA | SPEN                         | RX9    | SREN   | CREN   | —     | FERR  | OERR  | RX9D  | 0000 -00x               | 0000 -00u                         |
| 14h, Bank 0 | RCREG | RX7                          | RX6    | RX5    | RX4    | RX3   | RX2   | RX1   | RX0   | xxxx xxxxx              | uuuu uuuu                         |
| 17h, Bank 1 | PIE   | RBIE                         | TMR3IE | TMR2IE | TMR1IE | CA2IE | CA1IE | TXIE  | RCIE  | 0000 0000               | 0000 0000                         |
| 15h, Bank 0 | TXSTA | CSRC                         | TX9    | TXEN   | SYNC   | —     | —     | TRMT  | TX9D  | 0000 --1x               | 0000 --1u                         |
| 17h, Bank 0 | SPBRG | Baud rate generator register |        |        |        |       |       |       |       | xxxx xxxxx              | uuuu uuuu                         |

Legend: x = unknown, u = unchanged, - = unimplemented read as a '0', shaded cells are not used for asynchronous reception.

Note 1: Other (non power-up) resets include: external reset through MCLR and Watchdog Timer Reset.

## 13.3 USART Synchronous Master Mode

In Master Synchronous mode, the data is transmitted in a half-duplex manner; i.e. transmission and reception do not occur at the same time: when transmitting data, the reception is inhibited and vice versa. The synchronous mode is entered by setting the SYNC (TXSTA<4>) bit. In addition, the SPEN (RCSTA<7>) bit is set in order to configure the RA5 and RA4 I/O ports to CK (clock) and DT (data) lines respectively. The Master mode indicates that the processor transmits the master clock on the CK line. The Master mode is entered by setting the CSRC (TXSTA<7>) bit.

### 13.3.1 USART SYNCHRONOUS MASTER TRANSMISSION

The USART transmitter block diagram is shown in Figure 13-3. The heart of the transmitter is the transmit (serial) shift register (TSR). The shift register obtains its data from the read/write transmit buffer TXREG. TXREG is loaded with data in software. The TSR is not loaded until the last bit has been transmitted from the previous load. As soon as the last bit is transmitted, the TSR is loaded with new data from TXREG (if available). Once TXREG transfers the data to the TSR (occurs in one T<sub>CY</sub> at the end of the current BRG cycle), TXREG is empty and the TXIF (PIR<1>) bit is set. This interrupt can be enabled/disabled by setting/clearing the TXIE bit (PIE<1>). TXIF will be set regardless of the state of bit TXIE and cannot be cleared in software. It will reset only when new data is loaded into TXREG. While TXIF indicates the status of TXREG, TRMT (TXSTA<1>) shows the status of the TSR. TRMT is a read only bit which is set when the TSR is empty. No interrupt logic is tied to this bit, so the user has to poll this bit in order to determine if the TSR is empty. The TSR is not mapped in data memory, so it is not available to the user.

Transmission is enabled by setting the TXEN (TXSTA<5>) bit. The actual transmission will not occur until TXREG has been loaded with data. The first data bit will be shifted out on the next available rising edge of the clock on the RA5/TX/CK pin. Data out is stable around the falling edge of the synchronous clock (Figure 13-10). The transmission can also be started by first loading TXREG and then setting TXEN. This is advantageous when slow baud rates are selected, since BRG is kept in RESET when the TXEN, CREN, and SREN bits are clear. Setting the TXEN bit will start the BRG, creating a shift clock immediately. Normally when transmission is first started, the TSR is empty, so a transfer to TXREG will result in an immediate transfer to the TSR, resulting in an empty TXREG. Back-to-back transfers are possible.

Clearing TXEN during a transmission will cause the transmission to be aborted and will reset the transmitter. The RA4/RX/DT and RA5/TX/CK pins will revert to hi-impedance. If either CREN or SREN are set during a transmission, the transmission is aborted and the

RA4/RX/DT pin reverts to a hi-impedance state (for a reception). The RA5/TX/CK pin will remain an output if the CSRC bit is set (internal clock). The transmitter logic is not reset, although it is disconnected from the pins. In order to reset the transmitter, the user has to clear the TXEN bit. If the SREN bit is set (to interrupt an ongoing transmission and receive a single word), then after the single word is received, SREN will be cleared and the serial port will revert back to transmitting, since the TXEN bit is still set. The DT line will immediately switch from hi-impedance receive mode to transmit and start driving. To avoid this, TXEN should be cleared.

In order to select 9-bit transmission, the TX9 (TXSTA<6>) bit should be set and the ninth bit should be written to TX9D (TXSTA<0>). The ninth bit must be written before writing the 8-bit data to TXREG. This is because a data write to TXREG can result in an immediate transfer of the data to the TSR (if the TSR is empty). If the TSR was empty and TXREG was written before writing the "new" TX9D, the "present" value of TX9D is loaded.

Steps to follow when setting up a Synchronous Master Transmission:

1. Initialize the SPBRG register for the appropriate baud rate (see Baud Rate Generator Section for details).
2. Enable the synchronous master serial port by setting the SYNC, SPEN, and CSRC bits.
3. Ensure that the CREN and SREN bits are clear (these bits override transmission when set).
4. If interrupts are desired, then set the TXIE bit (the GLINTD bit must be clear and the PEIE bit must be set).
5. If 9-bit transmission is desired, then set the TX9 bit.
6. Start transmission by loading data to the TXREG register.
7. If 9-bit transmission is selected, the ninth bit should be loaded in TX9D.
8. Enable the transmission by setting TXEN.

Writing the transmit data to the TXREG, then enabling the transmit (setting TXEN) allows transmission to start sooner than doing these two events in the reverse order.

**Note:** To terminate a transmission, either clear the SPEN bit, or the TXEN bit. This will reset the transmit logic, so that it will be in the proper state when transmit is re-enabled.

# PIC17C4X

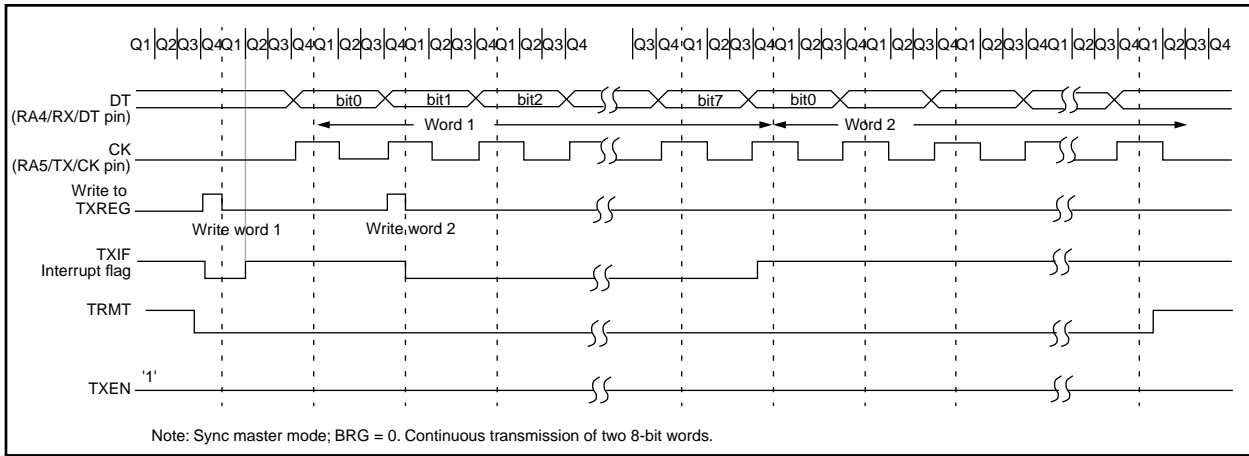
**TABLE 13-7: REGISTERS ASSOCIATED WITH SYNCHRONOUS MASTER TRANSMISSION**

| Address     | Name  | Bit 7                        | Bit 6  | Bit 5  | Bit 4  | Bit 3 | Bit 2 | Bit 1 | Bit 0 | Value on Power-on Reset | Value on all other resets (Note1) |
|-------------|-------|------------------------------|--------|--------|--------|-------|-------|-------|-------|-------------------------|-----------------------------------|
| 16h, Bank 1 | PIR   | RBIF                         | TMR3IF | TMR2IF | TMR1IF | CA2IF | CA1IF | TXIF  | RCIF  | 0000 0010               | 0000 0010                         |
| 13h, Bank 0 | RCSTA | SPEN                         | RX9    | SREN   | CREN   | —     | FERR  | OERR  | RX9D  | 0000 -00x               | 0000 -00u                         |
| 16h, Bank 0 | TXREG | TX7                          | TX6    | TX5    | TX4    | TX3   | TX2   | TX1   | TX0   | xxxx xxxx               | uuuu uuuu                         |
| 17h, Bank 1 | PIE   | RBIE                         | TMR3IE | TMR2IE | TMR1IE | CA2IE | CA1IE | TXIE  | RCIE  | 0000 0000               | 0000 0000                         |
| 15h, Bank 0 | TXSTA | CSRC                         | TX9    | TXEN   | SYNC   | —     | —     | TRMT  | TX9D  | 0000 --1x               | 0000 --1u                         |
| 17h, Bank 0 | SPBRG | Baud rate generator register |        |        |        |       |       |       |       | xxxx xxxx               | uuuu uuuu                         |

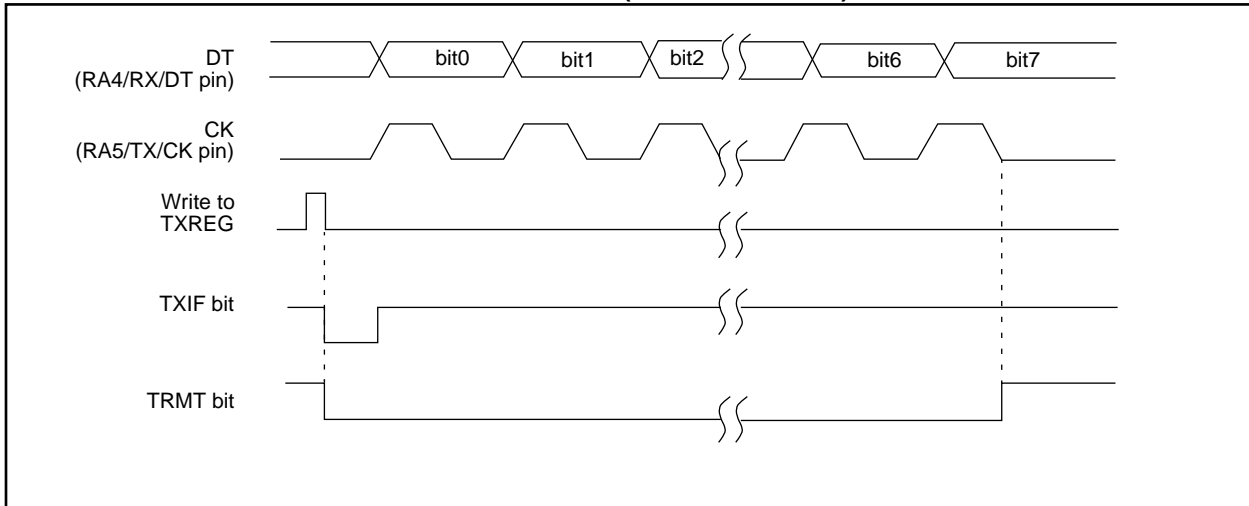
Legend: x = unknown, u = unchanged, - = unimplemented read as a '0', shaded cells are not used for synchronous master transmission.

Note 1: Other (non power-up) resets include: external reset through  $\overline{MCLR}$  and Watchdog Timer Reset.

**FIGURE 13-9: SYNCHRONOUS TRANSMISSION**



**FIGURE 13-10: SYNCHRONOUS TRANSMISSION (THROUGH TXEN)**



## 13.3.2 USART SYNCHRONOUS MASTER RECEPTION

Once synchronous mode is selected, reception is enabled by setting either the SREN (RCSTA<5>) bit or the CREN (RCSTA<4>) bit. Data is sampled on the RA4/RX/DT pin on the falling edge of the clock. If SREN is set, then only a single word is received. If CREN is set, the reception is continuous until CREN is reset. If both bits are set, then CREN takes precedence. After clocking the last bit, the received data in the Receive Shift Register (RSR) is transferred to RCREG (if it is empty). If the transfer is complete, the interrupt bit RCIF (PIR<0>) is set. The actual interrupt can be enabled/disabled by setting/clearing the RCIE (PIE<0>) bit. RCIF is a read only bit which is RESET by the hardware. In this case it is reset when RCREG has been read and is empty. RCREG is a double buffered register; i.e., it is a two deep FIFO. It is possible for two bytes of data to be received and transferred to the RCREG FIFO and a third byte to begin shifting into the RSR. On the clocking of the last bit of the third byte, if RCREG is still full, then the overrun error bit OERR (RCSTA<1>) is set. The word in the RSR will be lost. RCREG can be read twice to retrieve the two bytes in the FIFO. The OERR bit has to be cleared in software. This is done by clearing the CREN bit. If OERR bit is set, transfers from RSR to RCREG are inhibited, so it is essential to clear OERR bit if it is set. The 9th receive bit is buffered the same way as the receive data. Reading the RCREG register will allow the RX9D and FERR bits to be loaded with values for the next received data; therefore, it is essential for the user to read the RCSTA register before reading RCREG in order not to lose the old FERR and RX9D information.

Steps to follow when setting up a Synchronous Master Reception:

1. Initialize the SPBRG register for the appropriate baud rate. See Section 13.1 for details.
2. Enable the synchronous master serial port by setting bits SYNC, SPEN, and CSRC.
3. If interrupts are desired, then set the RCIE bit.
4. If 9-bit reception is desired, then set the RX9 bit.
5. If a single reception is required, set bit SREN. For continuous reception set bit CREN.
6. The RCIF bit will be set when reception is complete and an interrupt will be generated if the RCIE bit was set.
7. Read RCSTA to get the ninth bit (if enabled) and determine if any error occurred during reception.
8. Read the 8-bit received data by reading RCREG.
9. If any error occurred, clear the error by clearing CREN.

**Note:** To terminate a reception, either clear the SREN and CREN bits, or the SPEN bit. This will reset the receive logic, so that it will be in the proper state when receive is re-enabled.

**FIGURE 13-11: SYNCHRONOUS RECEPTION (MASTER MODE, SREN)**



# PIC17C4X

**TABLE 13-8: REGISTERS ASSOCIATED WITH SYNCHRONOUS MASTER RECEPTION**

| Address     | Name  | Bit 7                        | Bit 6  | Bit 5  | Bit 4  | Bit 3 | Bit 2 | Bit 1 | Bit 0 | Value on Power-on Reset | Value on all other resets (Note1) |
|-------------|-------|------------------------------|--------|--------|--------|-------|-------|-------|-------|-------------------------|-----------------------------------|
| 16h, Bank 1 | PIR   | RBIF                         | TMR3IF | TMR2IF | TMR1IF | CA2IF | CA1IF | TXIF  | RCIF  | 0000 0010               | 0000 0010                         |
| 13h, Bank 0 | RCSTA | SPEN                         | RX9    | SREN   | CREN   | —     | FERR  | OERR  | RX9D  | 0000 -00x               | 0000 -00u                         |
| 14h, Bank 0 | RCREG | RX7                          | RX6    | RX5    | RX4    | RX3   | RX2   | RX1   | RX0   | xxxx xxxx               | uuuu uuuu                         |
| 17h, Bank 1 | PIE   | RBIE                         | TMR3IE | TMR2IE | TMR1IE | CA2IE | CA1IE | TXIE  | RCIE  | 0000 0000               | 0000 0000                         |
| 15h, Bank 0 | TXSTA | CSRC                         | TX9    | TXEN   | SYNC   | —     | —     | TRMT  | TX9D  | 0000 --1x               | 0000 --1u                         |
| 17h, Bank 0 | SPBRG | Baud rate generator register |        |        |        |       |       |       |       | xxxx xxxx               | uuuu uuuu                         |

Legend: x = unknown, u = unchanged, - = unimplemented read as a '0', shaded cells are not used for synchronous master reception.

Note 1: Other (non power-up) resets include: external reset through  $\overline{\text{MCLR}}$  and Watchdog Timer Reset.



## 13.4 USART Synchronous Slave Mode

The synchronous slave mode differs from the master mode in the fact that the shift clock is supplied externally at the RA5/TX/CK pin (instead of being supplied internally in the master mode). This allows the device to transfer or receive data in the SLEEP mode. The slave mode is entered by clearing the CSRC (TXSTA<7>) bit.

### 13.4.1 USART SYNCHRONOUS SLAVE TRANSMIT

The operation of the sync master and slave modes are identical except in the case of the SLEEP mode.

If two words are written to TXREG and then the SLEEP instruction executes, the following will occur. The first word will immediately transfer to the TSR and will transmit as the shift clock is supplied. The second word will remain in TXREG. TXIF will not be set. When the first word has been shifted out of TSR, TXREG will transfer the second word to the TSR and the TXIF flag will now be set. If TXIE is enabled, the interrupt will wake the chip from SLEEP and if the global interrupt is enabled, then the program will branch to interrupt vector (0020h).

Steps to follow when setting up a Synchronous Slave Transmission:

1. Enable the synchronous slave serial port by setting the SYNC and SPEN bits and clearing the CSRC bit.
2. Clear the CREN bit.
3. If interrupts are desired, then set the TXIE bit.
4. If 9-bit transmission is desired, then set the TX9 bit.
5. Start transmission by loading data to TXREG.
6. If 9-bit transmission is selected, the ninth bit should be loaded in TX9D.
7. Enable the transmission by setting TXEN.

Writing the transmit data to the TXREG, then enabling the transmit (setting TXEN) allows transmission to start sooner than doing these two events in the reverse order.

**Note:** To terminate a transmission, either clear the SPEN bit, or the TXEN bit. This will reset the transmit logic, so that it will be in the proper state when transmit is re-enabled.

### 13.4.2 USART SYNCHRONOUS SLAVE RECEPTION

Operation of the synchronous master and slave modes are identical except in the case of the SLEEP mode. Also, SREN is a don't care in slave mode.

If receive is enabled (CREN) prior to the SLEEP instruction, then a word may be received during SLEEP. On completely receiving the word, the RSR will transfer the data to RCREG (setting RCIF) and if the RCIE bit is set, the interrupt generated will wake the chip from SLEEP. If the global interrupt is enabled, the program will branch to the interrupt vector (0020h).

Steps to follow when setting up a Synchronous Slave Reception:

1. Enable the synchronous master serial port by setting the SYNC and SPEN bits and clearing the CSRC bit.
2. If interrupts are desired, then set the RCIE bit.
3. If 9-bit reception is desired, then set the RX9 bit.
4. To enable reception, set the CREN bit.
5. The RCIF bit will be set when reception is complete and an interrupt will be generated if the RCIE bit was set.
6. Read RCSTA to get the ninth bit (if enabled) and determine if any error occurred during reception.
7. Read the 8-bit received data by reading RCREG.
8. If any error occurred, clear the error by clearing the CREN bit.

**Note:** To abort reception, either clear the SPEN bit, the SREN bit (when in single receive mode), or the CREN bit (when in continuous receive mode). This will reset the receive logic, so that it will be in the proper state when receive is re-enabled.

**TABLE 13-9: REGISTERS ASSOCIATED WITH SYNCHRONOUS SLAVE TRANSMISSION**

| Address     | Name  | Bit 7                        | Bit 6  | Bit 5  | Bit 4  | Bit 3 | Bit 2 | Bit 1 | Bit 0 | Value on Power-on Reset | Value on all other resets (Note1) |
|-------------|-------|------------------------------|--------|--------|--------|-------|-------|-------|-------|-------------------------|-----------------------------------|
| 16h, Bank 1 | PIR   | RBIF                         | TMR3IF | TMR2IF | TMR1IF | CA2IF | CA1IF | TXIF  | RCIF  | 0000 0010               | 0000 0010                         |
| 13h, Bank 0 | RCSTA | SPEN                         | RX9    | SREN   | CREN   | —     | FERR  | OERR  | RX9D  | 0000 -00x               | 0000 -00u                         |
| 16h, Bank 0 | TXREG | TX7                          | TX6    | TX5    | TX4    | TX3   | TX2   | TX1   | TX0   | xxxx xxxx               | uuuu uuuu                         |
| 17h, Bank 1 | PIE   | RBIE                         | TMR3IE | TMR2IE | TMR1IE | CA2IE | CA1IE | TXIE  | RCIE  | 0000 0000               | 0000 0000                         |
| 15h, Bank 0 | TXSTA | CSRC                         | TX9    | TXEN   | SYNC   | —     | —     | TRMT  | TX9D  | 0000 --1x               | 0000 --1u                         |
| 17h, Bank 0 | SPBRG | Baud rate generator register |        |        |        |       |       |       |       | xxxx xxxx               | uuuu uuuu                         |

Legend: x = unknown, u = unchanged, - = unimplemented read as a '0', shaded cells are not used for synchronous slave transmission.

Note 1: Other (non power-up) resets include: external reset through  $\overline{MCLR}$  and Watchdog Timer Reset.

**TABLE 13-10: REGISTERS ASSOCIATED WITH SYNCHRONOUS SLAVE RECEPTION**

| Address     | Name  | Bit 7                        | Bit 6  | Bit 5  | Bit 4  | Bit 3 | Bit 2 | Bit 1 | Bit 0 | Value on Power-on Reset | Value on all other resets (Note1) |
|-------------|-------|------------------------------|--------|--------|--------|-------|-------|-------|-------|-------------------------|-----------------------------------|
| 16h, Bank1  | PIR   | RBIF                         | TMR3IF | TMR2IF | TMR1IF | CA2IF | CA1IF | TXIF  | RCIF  | 0000 0010               | 0000 0010                         |
| 13h, Bank0  | RCSTA | SPEN                         | RX9    | SREN   | CREN   | —     | FERR  | OERR  | RX9D  | 0000 -00x               | 0000 -00u                         |
| 14h, Bank0  | RCREG | RX7                          | RX6    | RX5    | RX4    | RX3   | RX2   | RX1   | RX0   | xxxx xxxx               | uuuu uuuu                         |
| 17h, Bank1  | PIE   | RBIE                         | TMR3IE | TMR2IE | TMR1IE | CA2IE | CA1IE | TXIE  | RCIE  | 0000 0000               | 0000 0000                         |
| 15h, Bank 0 | TXSTA | CSRC                         | TX9    | TXEN   | SYNC   | —     | —     | TRMT  | TX9D  | 0000 --1x               | 0000 --1u                         |
| 17h, Bank0  | SPBRG | Baud rate generator register |        |        |        |       |       |       |       | xxxx xxxx               | uuuu uuuu                         |

Legend: x = unknown, u = unchanged, - = unimplemented read as a '0', shaded cells are not used for synchronous slave reception.

Note 1: Other (non power-up) resets include: external reset through  $\overline{MCLR}$  and Watchdog Timer Reset.

## 14.0 SPECIAL FEATURES OF THE CPU

What sets a microcontroller apart from other processors are special circuits to deal with the needs of real time applications. The PIC17CXX family has a host of such features intended to maximize system reliability, minimize cost through elimination of external components, provide power saving operating modes and offer code protection. These are:

- OSC selection
- Reset
  - Power-on Reset (POR)
  - Power-up Timer (PWRT)
  - Oscillator Start-up Timer (OST)
- Interrupts
- Watchdog Timer (WDT)
- SLEEP
- Code protection

The PIC17CXX has a Watchdog Timer which can be shut off only through EPROM bits. It runs off its own RC oscillator for added reliability. There are two timers that offer necessary delays on power-up. One is the Oscillator Start-up Timer (OST), intended to keep the chip in RESET until the crystal oscillator is stable. The other is the Power-up Timer (PWRT), which provides a fixed delay of 96 ms (nominal) on power-up only, designed to keep the part in RESET while the power supply stabilizes. With these two timers on-chip, most applications need no external reset circuitry.

The SLEEP mode is designed to offer a very low current power-down mode. The user can wake from SLEEP through external reset, Watchdog Timer Reset or through an interrupt. Several oscillator options are also made available to allow the part to fit the application. The RC oscillator option saves system cost while the LF crystal option saves power. Configuration bits are used to select various options. This configuration word has the format shown in Figure 14-1.

**FIGURE 14-1: CONFIGURATION WORD**



# PIC17C4X

## 14.1 Configuration Bits

The PIC17CXX has up to seven configuration locations (Table 14-1). These locations can be programmed (read as '0') or left unprogrammed (read as '1') to select various device configurations. Any write to a configuration location, regardless of the data, will program that configuration bit. A `TABLWT` instruction is required to write to program memory locations. The configuration bits can be read by using the `TABLRD` instructions. Reading any configuration location between FE00h and FE07h will read the low byte of the configuration word (Figure 14-1) into the `TABLATL` register. The `TABLATH` register will be FFh. Reading a configuration location between FE08h and FE0Fh will read the high byte of the configuration word into the `TABLATL` register. The `TABLATH` register will be FFh.

Addresses FE00h through FE0Fh are only in the program memory space for microcontroller and code protected microcontroller modes. A device programmer will be able to read the configuration word in any processor mode. See programming specifications for more detail.

**TABLE 14-1: CONFIGURATION LOCATIONS**

| Bit                | Address              |
|--------------------|----------------------|
| FOSC0              | FE00h                |
| FOSC1              | FE01h                |
| WDTPS0             | FE02h                |
| WDTPS1             | FE03h                |
| PM0                | FE04h                |
| PM1                | FE06h                |
| PM2 <sup>(1)</sup> | FE0Fh <sup>(1)</sup> |

Note 1: This location does not exist on the PIC17C42.

**Note:** When programming the desired configuration locations, they must be programmed in ascending order. Starting with address FE00h.

## 14.2 Oscillator Configurations

### 14.2.1 OSCILLATOR TYPES

The PIC17CXX can be operated in four different oscillator modes. The user can program two configuration bits (FOSC1:FOSC0) to select one of these four modes:

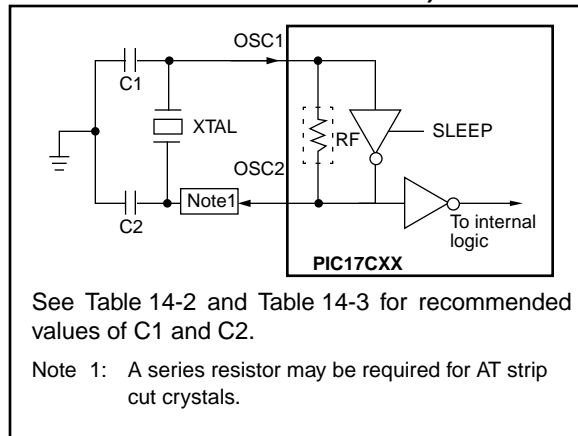
- LF: Low Power Crystal
- XT: Crystal/Resonator
- EC: External Clock Input
- RC: Resistor/Capacitor

### 14.2.2 CRYSTAL OSCILLATOR / CERAMIC RESONATORS

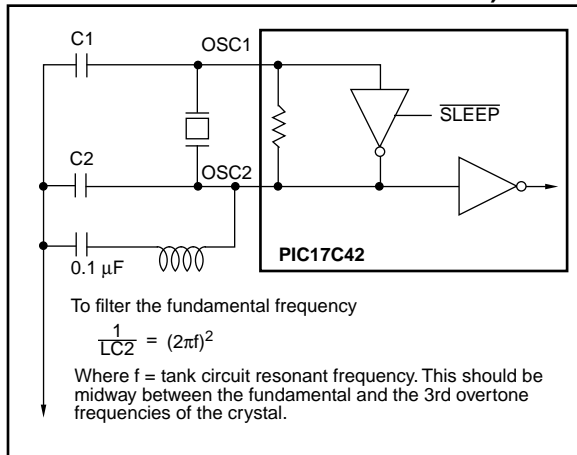
In XT or LF modes, a crystal or ceramic resonator is connected to the `OSC1/CLKIN` and `OSC2/CLKOUT` pins to establish oscillation (Figure 14-2). The PIC17CXX Oscillator design requires the use of a parallel cut crystal. Use of a series cut crystal may give a frequency out of the crystal manufacturers specifications.

For frequencies above 20 MHz, it is common for the crystal to be an overtone mode crystal. Use of overtone mode crystals require a tank circuit to attenuate the gain at the fundamental frequency. Figure 14-3 shows an example of this.

**FIGURE 14-2: CRYSTAL OR CERAMIC RESONATOR OPERATION (XT OR LF OSC CONFIGURATION)**



**FIGURE 14-3: CRYSTAL OPERATION, OVERTONE CRYSTALS (XT OSC CONFIGURATION)**



**TABLE 14-2: CAPACITOR SELECTION FOR CERAMIC RESONATORS**

| Oscillator Type | Resonator Frequency | Capacitor Range C1 = C2 |
|-----------------|---------------------|-------------------------|
| LF              | 455 kHz             | 15 - 68 pF              |
|                 | 2.0 MHz             | 10 - 33 pF              |
| XT              | 4.0 MHz             | 22 - 68 pF              |
|                 | 8.0 MHz             | 33 - 100 pF             |
|                 | 16.0 MHz            | 33 - 100 pF             |

Higher capacitance increases the stability of the oscillator but also increases the start-up time. These values are for design guidance only. Since each resonator has its own characteristics, the user should consult the resonator manufacturer for appropriate values of external components.

**Resonators Used:**

|          |                        |        |
|----------|------------------------|--------|
| 455 kHz  | Panasonic EFO-A455K04B | ± 0.3% |
| 2.0 MHz  | Murata Erie CSA2.00MG  | ± 0.5% |
| 4.0 MHz  | Murata Erie CSA4.00MG  | ± 0.5% |
| 8.0 MHz  | Murata Erie CSA8.00MT  | ± 0.5% |
| 16.0 MHz | Murata Erie CSA16.00MX | ± 0.5% |

Resonators used did not have built-in capacitors.

**TABLE 14-3: CAPACITOR SELECTION FOR CRYSTAL OSCILLATOR**

| Osc Type | Freq                  | C1               | C2               |
|----------|-----------------------|------------------|------------------|
| LF       | 32 kHz <sup>(1)</sup> | 100-150 pF       | 100-150 pF       |
|          | 1 MHz                 | 10-33 pF         | 10-33 pF         |
|          | 2 MHz                 | 10-33 pF         | 10-33 pF         |
| XT       | 2 MHz                 | 47-100 pF        | 47-100 pF        |
|          | 4 MHz                 | 15-68 pF         | 15-68 pF         |
|          | 8 MHz <sup>(2)</sup>  | 15-47 pF         | 15-47 pF         |
|          | 16 MHz                | TBD              | TBD              |
|          | 25 MHz                | 15-47 pF         | 15-47 pF         |
|          | 32 MHz <sup>(3)</sup> | 0 <sup>(3)</sup> | 0 <sup>(3)</sup> |

Higher capacitance increases the stability of the oscillator but also increases the start-up time and the oscillator current. These values are for design guidance only. Rs may be required in XT mode to avoid overdriving the crystals with low drive level specification. Since each crystal has its own characteristics, the user should consult the crystal manufacturer for appropriate values for external components.

Note 1: For VDD > 4.5V, C1 = C2 ≈ 30 pF is recommended.

2: Rs of 330Ω is required for a capacitor combination of 15/15 pF.

3: Only the capacitance of the board was present.

**Crystals Used:**

|            |                       |          |
|------------|-----------------------|----------|
| 32.768 kHz | Epson C-001R32.768K-A | ± 20 PPM |
| 1.0 MHz    | ECS-10-13-1           | ± 50 PPM |
| 2.0 MHz    | ECS-20-20-1           | ± 50 PPM |
| 4.0 MHz    | ECS-40-20-1           | ± 50 PPM |
| 8.0 MHz    | ECS ECS-80-S-4        | ± 50 PPM |
|            | ECS-80-18-1           |          |
| 16.0 MHz   | ECS-160-20-1          | TBD      |
| 25 MHz     | CTS CTS25M            | ± 50 PPM |
| 32 MHz     | CRYSTEK HF-2          | ± 50 PPM |

### 14.2.3 EXTERNAL CLOCK OSCILLATOR

In the EC oscillator mode, the OSC1 input can be driven by CMOS drivers. In this mode, the OSC1/CLKIN pin is hi-impedance and the OSC2/CLKOUT pin is the CLKOUT output (4 TOSC).

**FIGURE 14-4: EXTERNAL CLOCK INPUT OPERATION (EC OSC CONFIGURATION)**



# PIC17C4X

## 14.2.4 EXTERNAL CRYSTAL OSCILLATOR CIRCUIT

Either a prepackaged oscillator can be used or a simple oscillator circuit with TTL gates can be built. Prepackaged oscillators provide a wide operating range and better stability. A well-designed crystal oscillator will provide good performance with TTL gates. Two types of crystal oscillator circuits can be used: one with series resonance, or one with parallel resonance.

Figure 14-5 shows implementation of a parallel resonant oscillator circuit. The circuit is designed to use the fundamental frequency of the crystal. The 74AS04 inverter performs the 180-degree phase shift that a parallel oscillator requires. The 4.7 k $\Omega$  resistor provides the negative feedback for stability. The 10 k $\Omega$  potentiometer biases the 74AS04 in the linear region. This could be used for external oscillator designs.

**FIGURE 14-5: EXTERNAL PARALLEL RESONANT CRYSTAL OSCILLATOR CIRCUIT**



Figure 14-6 shows a series resonant oscillator circuit. This circuit is also designed to use the fundamental frequency of the crystal. The inverter performs a 180-degree phase shift in a series resonant oscillator circuit. The 330 k $\Omega$  resistors provide the negative feedback to bias the inverters in their linear region.

**FIGURE 14-6: EXTERNAL SERIES RESONANT CRYSTAL OSCILLATOR CIRCUIT**



## 14.2.5 RC OSCILLATOR

For timing insensitive applications, the RC device option offers additional cost savings. RC oscillator frequency is a function of the supply voltage, the resistor ( $R_{ext}$ ) and capacitor ( $C_{ext}$ ) values, and the operating temperature. In addition to this, oscillator frequency will vary from unit to unit due to normal process parameter variation. Furthermore, the difference in lead frame capacitance between package types will also affect oscillation frequency, especially for low  $C_{ext}$  values. The user also needs to take into account variation due to tolerance of external R and C components used. Figure 14-6 shows how the R/C combination is connected to the PIC17CXX. For  $R_{ext}$  values below 2.2 k $\Omega$ , the oscillator operation may become unstable, or stop completely. For very high  $R_{ext}$  values (e.g. 1 M $\Omega$ ), the oscillator becomes sensitive to noise, humidity and leakage. Thus, we recommend to keep  $R_{ext}$  between 3 k $\Omega$  and 100 k $\Omega$ .

Although the oscillator will operate with no external capacitor ( $C_{ext} = 0$  pF), we recommend using values above 20 pF for noise and stability reasons. With little or no external capacitance, oscillation frequency can vary dramatically due to changes in external capacitances, such as PCB trace capacitance or package lead frame capacitance.

See Section 18.0 for RC frequency variation from part to part due to normal process variation. The variation is larger for larger R (since leakage current variation will affect RC frequency more for large R) and for smaller C (since variation of input capacitance will affect RC frequency more).

See Section 18.0 for variation of oscillator frequency due to  $V_{DD}$  for given  $R_{ext}/C_{ext}$  values as well as frequency variation due to operating temperature for given R, C, and  $V_{DD}$  values.

The oscillator frequency, divided by 4, is available on the OSC2/CLKOUT pin, and can be used for test purposes or to synchronize other logic (see Figure 3-2 for waveform).

**FIGURE 14-7: RC OSCILLATOR MODE**



### 14.3 Watchdog Timer (WDT)

The Watchdog Timer's function is to recover from software malfunction. The WDT uses an internal free running on-chip RC oscillator for its clock source. This does not require any external components. This RC oscillator is separate from the RC oscillator of the OSC1/CLKIN pin. That means that the WDT will run, even if the clock on the OSC1/CLKIN and OSC2/CLKOUT pins of the device has been stopped, for example, by execution of a SLEEP instruction. During normal operation and SLEEP mode, a WDT time-out generates a device RESET. The WDT can be permanently disabled by programming the configuration bits WDTPS1:WDTPS0 as '00' (Section 14.1).

Under normal operation, the WDT must be cleared on a regular interval. This time is less the minimum WDT overflow time. Not clearing the WDT in this time frame will cause the WDT to overflow and reset the device.

#### 14.3.1 WDT PERIOD

The WDT has a nominal time-out period of 12 ms, (with postscaler = 1). The time-out periods vary with temperature, VDD and process variations from part to part (see DC specs). If longer time-out periods are desired, a postscaler with a division ratio of up to 1:256 can be assigned to the WDT. Thus, typical time-out periods up to 3.0 seconds can be realized.

The CLRWDT and SLEEP instructions clear the WDT and the postscaler (if assigned to the WDT) and prevent it from timing out thus generating a device RESET condition.

The  $\overline{TO}$  bit in the CPUSTA register will be cleared upon a WDT time-out.

#### 14.3.2 CLEARING THE WDT AND POSTSCALER

The WDT and postscaler are cleared when:

- The device is in the reset state
- A SLEEP instruction is executed
- A CLRWDT instruction is executed
- Wake-up from SLEEP by an interrupt

The WDT counter/postscaler will start counting on the first edge after the device exits the reset state.

#### 14.3.3 WDT PROGRAMMING CONSIDERATIONS

It should also be taken in account that under worst case conditions (VDD = Min., Temperature = Max., max. WDT postscaler) it may take several seconds before a WDT time-out occurs.

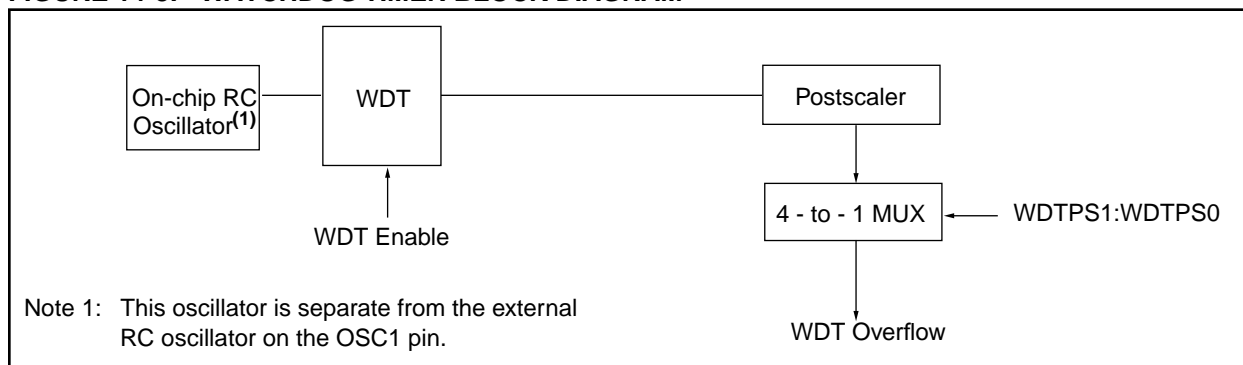
The WDT and postscaler is the Power-up Timer during the Power-on Reset sequence.

#### 14.3.4 WDT AS NORMAL TIMER

When the WDT is selected as a normal timer, the clock source is the device clock. Neither the WDT nor the postscaler are directly readable or writable. The overflow time is 65536 TOSC cycles. On overflow, the  $\overline{TO}$  bit is cleared (device is not reset). The CLRWDT instruction can be used to set the  $\overline{TO}$  bit. This allows the WDT to be a simple overflow timer. When in sleep, the WDT does not increment.

# PIC17C4X

**FIGURE 14-8: WATCHDOG TIMER BLOCK DIAGRAM**



**TABLE 14-4: REGISTERS/BITS ASSOCIATED WITH THE WATCHDOG TIMER**

| Address       | Name   | Bit 7 | Bit 6 | Bit 5 | Bit 4  | Bit 3                  | Bit 2                  | Bit 1 | Bit 0 | Value on Power-on Reset | Value on all other resets (Note1) |
|---------------|--------|-------|-------|-------|--------|------------------------|------------------------|-------|-------|-------------------------|-----------------------------------|
| —             | Config | —     | PM1   | —     | PM0    | WDTPS1                 | WDTPS0                 | FOSC1 | FOSC0 | (Note 2)                | (Note 2)                          |
| 06h, Unbanked | CPUSTA | —     | —     | STKAV | GLINTD | $\overline{\text{T0}}$ | $\overline{\text{PD}}$ | —     | —     | --11 11--               | --11 qq--                         |

Legend: — = unimplemented read as '0', q - value depends on condition, shaded cells are not used by the WDT.

Note 1: Other (non power-up) resets include: external reset through  $\overline{\text{MCLR}}$  and Watchdog Timer Reset.

2: This value will be as the device was programmed, or if unprogrammed, will read as all '1's.



## 14.4 Power-down Mode (SLEEP)

The Power-down mode is entered by executing a SLEEP instruction. This clears the Watchdog Timer and postscaler (if enabled). The  $\overline{PD}$  bit is cleared and the  $\overline{TO}$  bit is set (in the CPUSTA register). In SLEEP mode, the oscillator driver is turned off. The I/O ports maintain their status (driving high, low, or hi-impedance).

The  $\overline{MCLR}/VPP$  pin must be at a logic high level ( $V_{IHMC}$ ). A WDT time-out RESET does not drive the  $\overline{MCLR}/VPP$  pin low.

### 14.4.1 WAKE-UP FROM SLEEP

The device can wake up from SLEEP through one of the following events:

- A POR reset
- External reset input on  $\overline{MCLR}/VPP$  pin
- WDT Reset (if WDT was enabled)
- Interrupt from RA0/INT pin, RB port change, TOCKI interrupt, or some Peripheral Interrupts

The following peripheral interrupts can wake-up from SLEEP:

- Capture1 interrupt
- Capture2 interrupt
- USART synchronous slave transmit interrupt
- USART synchronous slave receive interrupt

Other peripherals can not generate interrupts since during SLEEP, no on-chip Q clocks are present.

Any reset event will cause a device reset. Any interrupt event is considered a continuation of program execution. The  $\overline{TO}$  and  $\overline{PD}$  bits in the CPUSTA register can be used to determine the cause of device reset. The

$\overline{PD}$  bit, which is set on power-up, is cleared when SLEEP is invoked. The  $\overline{TO}$  bit is cleared if WDT time-out occurred (and caused wake-up).

When the SLEEP instruction is being executed, the next instruction (PC + 1) is pre-fetched. For the device to wake-up through an interrupt event, the corresponding interrupt enable bit must be set (enabled). Wake-up is regardless of the state of the GLINTD bit. If the GLINTD bit is set (disabled), the device continues execution at the instruction after the SLEEP instruction. If the GLINTD bit is clear (enabled), the device executes the instruction after the SLEEP instruction and then branches to the interrupt vector address. In cases where the execution of the instruction following SLEEP is not desirable, the user should have a NOP after the SLEEP instruction.

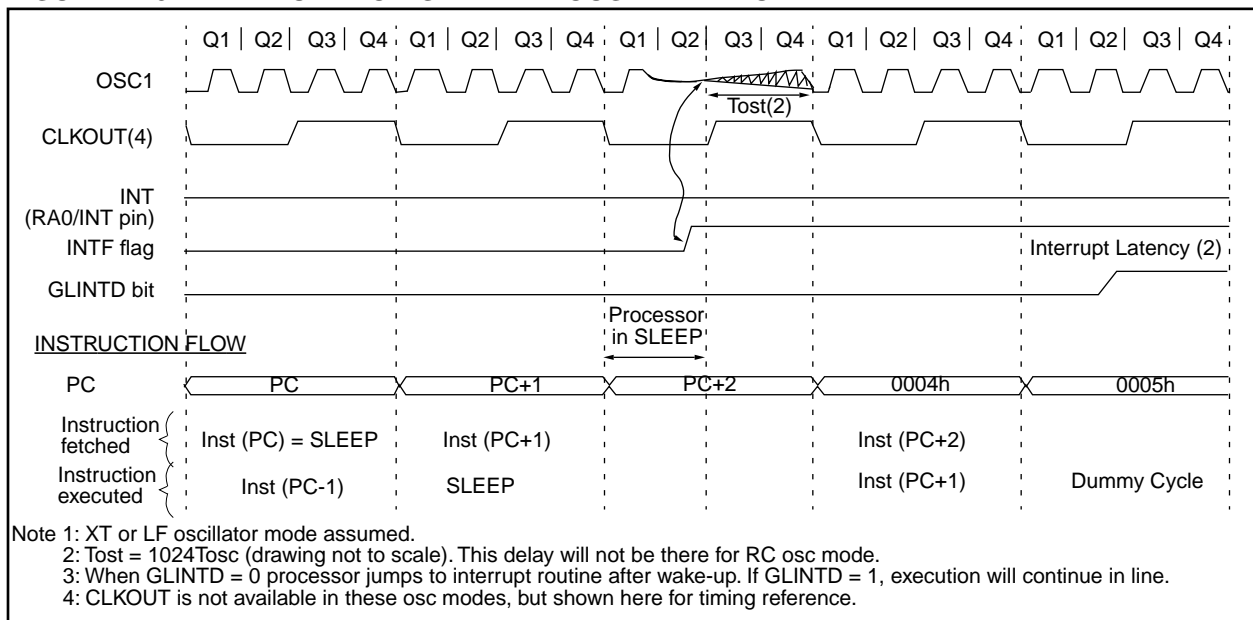
**Note:** If the global interrupts are disabled (GLINTD is set), but any interrupt source has both its interrupt enable bit and the corresponding interrupt flag bits set, the device will immediately wake-up from sleep. The  $\overline{TO}$  bit is set, and the  $\overline{PD}$  bit is cleared.

The WDT is cleared when the device wake from SLEEP, regardless of the source of wake-up.

#### 14.4.1.1 WAKE-UP DELAY

When the oscillator type is configured in XT or LF mode, the Oscillator Start-up Timer (OST) is activated on wake-up. The OST will keep the device in reset for  $1024T_{osc}$ . This needs to be taken into account when considering the interrupt response time when coming out of SLEEP.

**FIGURE 14-9: WAKE-UP FROM SLEEP THROUGH INTERRUPT**



## 14.4.2 MINIMIZING CURRENT CONSUMPTION

To minimize current consumption, all I/O pins should be either at VDD, or VSS, with no external circuitry drawing current from the I/O pin. I/O pins that are hi-impedance inputs should be pulled high or low externally to avoid switching currents caused by floating inputs. The T0CKI input should be at VDD or VSS. The contributions from on-chip pull-ups on PORTB should also be considered, and disabled when possible.

## 14.5 Code Protection

The code in the program memory can be protected by selecting the microcontroller in code protected mode (PM2:PM0 = '000').

**Note:** PM2 does not exist on the PIC17C42. To select code protected microcontroller mode, PM1:PM0 = '00'.

In this mode, instructions that are in the on-chip program memory space, can continue to read or write the program memory. An instruction that is executed outside of the internal program memory range will be inhibited from writing to or reading from program memory.

**Note:** Microchip does not recommend code protecting windowed devices.

If the code protection bit(s) have not been programmed, the on-chip program memory can be read out for verification purposes.

## 15.0 INSTRUCTION SET SUMMARY

The PIC17CXX instruction set consists of 58 instructions. Each instruction is a 16-bit word divided into an OPCODE and one or more operands. The opcode specifies the instruction type, while the operand(s) further specify the operation of the instruction. The PIC17CXX instruction set can be grouped into three types:

- byte-oriented
- bit-oriented
- literal and control operations.

These formats are shown in Figure 15-1.

Table 15-1 shows the field descriptions for the opcodes. These descriptions are useful for understanding the opcodes in Table 15-2 and in each specific instruction descriptions.

**byte-oriented instructions**, 'f' represents a file register designator and 'd' represents a destination designator. The file register designator specifies which file register is to be used by the instruction.

The destination designator specifies where the result of the operation is to be placed. If 'd' = '0', the result is placed in the WREG register. If 'd' = '1', the result is placed in the file register specified by the instruction.

**bit-oriented instructions**, 'b' represents a bit field designator which selects the number of the bit affected by the operation, while 'f' represents the number of the file in which the bit is located.

**literal and control operations**, 'k' represents an 8- or 11-bit constant or literal value.

The instruction set is highly orthogonal and is grouped into:

- byte-oriented operations
- bit-oriented operations
- literal and control operations

All instructions are executed within one single instruction cycle, unless:

- a conditional test is true
- the program counter is changed as a result of an instruction
- a table read or a table write instruction is executed (in this case, the execution takes two instruction cycles with the second cycle executed as a NOP)

One instruction cycle consists of four oscillator periods. Thus, for an oscillator frequency of 25 MHz, the normal instruction execution time is 160 ns. If a conditional test is true or the program counter is changed as a result of an instruction, the instruction execution time is 320 ns.

**TABLE 15-1: OPCODE FIELD DESCRIPTIONS**

| Field           | Description   |
|-----------------|---|
| f               | Register file address (00h to FFh)  |
| p               | Peripheral register file address (00h to 1Fh)   |
| i               | Table pointer control i = '0' (do not change)<br>i = '1' (increment after instruction execution)  |
| t               | Table byte select t = '0' (perform operation on lower byte)<br>t = '1' (perform operation on upper byte literal field, constant data)                                       |
| WREG            | Working register (accumulator)  |
| b               | Bit address within an 8-bit file register   |
| k               | Literal field, constant data or label   |
| x               | Don't care location (= '0' or '1')<br>The assembler will generate code with x = '0'. It is the recommended form of use for compatibility with all Microchip software tools. |
| d               | Destination select<br>0 = store result in WREG<br>1 = store result in file register f<br>Default is d = '1'   |
| u               | Unused, encoded as '0'  |
| s               | Destination select<br>0 = store result in file register f and in the WREG<br>1 = store result in file register f<br>Default is s = '1'                                      |
| label           | Label name  |
| C, DC, Z, OV    | ALU status bits Carry, Digit Carry, Zero, Overflow  |
| GLINTD          | Global Interrupt Disable bit (CPUSTA<4>)  |
| TBLPTR          | Table Pointer (16-bit)  |
| TBLAT           | Table Latch (16-bit) consists of high byte (TBLATH) and low byte (TBLATL)   |
| TBLATL          | Table Latch low byte  |
| TBLATH          | Table Latch high byte   |
| TOS             | Top of Stack  |
| PC              | Program Counter   |
| BSR             | Bank Select Register  |
| WDT             | Watchdog Timer Counter  |
| $\overline{TO}$ | Time-out bit  |
| $\overline{PD}$ | Power-down bit  |
| dest            | Destination either the WREG register or the specified register file location  |
| [ ]             | Options   |
| ( )             | Contents  |
| →               | Assigned to   |
| < >             | Register bit field  |
| ∈               | In the set of   |
| <i>italics</i>  | User defined term (font is courier)   |

# PIC17C4X

Table 15-2 lists the instructions recognized by the MPASM assembler.

**Note 1:** Any unused opcode is Reserved. Use of any reserved opcode may cause unexpected operation.

**Note 2:** The shaded instructions are not available in the PIC17C42

All instruction examples use the following format to represent a hexadecimal number:

0xhh

where h signifies a hexadecimal digit.

To represent a binary number:

0000 0100b

where b signifies a binary string.

**FIGURE 15-1: GENERAL FORMAT FOR INSTRUCTIONS**



## 15.1 Special Function Registers as Source/Destination

The PIC17C4X's orthogonal instruction set allows read and write of all file registers, including special function registers. There are some special situations the user should be aware of:

### 15.1.1 ALUSTA AS DESTINATION

If an instruction writes to ALUSTA, the Z, C, DC and OV bits may be set or cleared as a result of the instruction and overwrite the original data bits written. For example, executing `CLRF ALUSTA` will clear register ALUSTA, and then set the Z bit leaving `0000 0100b` in the register.

### 15.1.2 PCL AS SOURCE OR DESTINATION

Read, write or read-modify-write on PCL may have the following results:

Read PC: PCH → PCLATH; PCL → dest

Write PCL: PCLATH → PCH;  
8-bit destination value → PCL

Read-Modify-Write: PCL → ALU operand  
PCLATH → PCH;  
8-bit result → PCL

Where PCH = program counter high byte (not an addressable register), PCLATH = Program counter high holding latch, dest = destination, WREG or f.

### 15.1.3 BIT MANIPULATION

All bit manipulation instructions are done by first reading the entire register, operating on the selected bit and writing the result back (read-modify-write). The user should keep this in mind when operating on special function registers, such as ports.

## 15.2 Q Cycle Activity

Each instruction cycle ( $T_{cy}$ ) is comprised of four Q cycles (Q1-Q4). The Q cycles provide the timing/designation for the Decode, Read, Execute, Write etc., of each instruction cycle. The following diagram shows the relationship of the Q cycles to the instruction cycle.

The 4 Q cycles that make up an instruction cycle ( $T_{cy}$ ) can be generalized as:

Q1: Instruction Decode Cycle or forced NOP

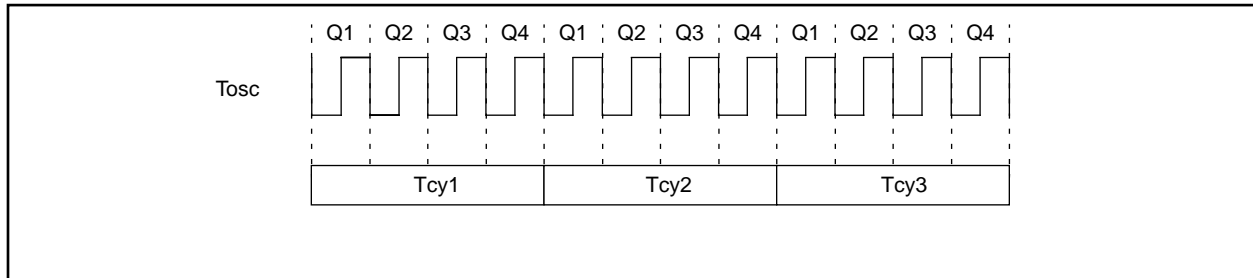
Q2: Instruction Read Cycle or NOP

Q3: Instruction Execute

Q4: Instruction Write Cycle or NOP

Each instruction will show the detailed Q cycle operation for the instruction.

**FIGURE 15-2: Q CYCLE ACTIVITY**



# PIC17C4X

**TABLE 15-2: PIC17CXX INSTRUCTION SET**

| Mnemonic,<br>Operands                         | Description                           | Cycles | 16-bit Opcode |                | Status<br>Affected | Notes |
|---|---------------------------------------|--------|---------------|----------------|--------------------|-------|
|   |                                       |        | MSb           | LSb            |                    |       |
| <b>BYTE-ORIENTED FILE REGISTER OPERATIONS</b> |                                       |        |               |                |                    |       |
| <b>ADDWF</b> f,d                              | ADD WREG to f                         | 1      | 0000          | 111d ffff ffff | OV,C,DC,Z          |       |
| <b>ADDWFC</b> f,d                             | ADD WREG and Carry bit to f           | 1      | 0001          | 000d ffff ffff | OV,C,DC,Z          |       |
| <b>ANDWF</b> f,d                              | AND WREG with f                       | 1      | 0000          | 101d ffff ffff | Z                  |       |
| <b>CLRF</b> f,s                               | Clear f, or Clear f and Clear WREG    | 1      | 0010          | 100s ffff ffff | None               | 3     |
| <b>COMF</b> f,d                               | Complement f                          | 1      | 0001          | 001d ffff ffff | Z                  |       |
| <b>CPFSEQ</b> f                               | Compare f with WREG, skip if f = WREG | 1 (2)  | 0011          | 0001 ffff ffff | None               | 6,8   |
| <b>CPFSGT</b> f                               | Compare f with WREG, skip if f > WREG | 1 (2)  | 0011          | 0010 ffff ffff | None               | 2,6,8 |
| <b>CPFSLT</b> f                               | Compare f with WREG, skip if f < WREG | 1 (2)  | 0011          | 0000 ffff ffff | None               | 2,6,8 |
| <b>DAW</b> f,s                                | Decimal Adjust WREG Register          | 1      | 0010          | 111s ffff ffff | C                  | 3     |
| <b>DECF</b> f,d                               | Decrement f                           | 1      | 0000          | 011d ffff ffff | OV,C,DC,Z          |       |
| <b>DECFSZ</b> f,d                             | Decrement f, skip if 0                | 1 (2)  | 0001          | 011d ffff ffff | None               | 6,8   |
| <b>DCFSNZ</b> f,d                             | Decrement f, skip if not 0            | 1 (2)  | 0010          | 011d ffff ffff | None               | 6,8   |
| <b>INCF</b> f,d                               | Increment f                           | 1      | 0001          | 010d ffff ffff | OV,C,DC,Z          |       |
| <b>INCFSZ</b> f,d                             | Increment f, skip if 0                | 1 (2)  | 0001          | 111d ffff ffff | None               | 6,8   |
| <b>INFSNZ</b> f,d                             | Increment f, skip if not 0            | 1 (2)  | 0010          | 010d ffff ffff | None               | 6,8   |
| <b>IORWF</b> f,d                              | Inclusive OR WREG with f              | 1      | 0000          | 100d ffff ffff | Z                  |       |
| <b>MOVFP</b> f,p                              | Move f to p                           | 1      | 011p          | pppp ffff ffff | None               |       |
| <b>MOVPF</b> p,f                              | Move p to f                           | 1      | 010p          | pppp ffff ffff | Z                  |       |
| <b>MOVWF</b> f                                | Move WREG to f                        | 1      | 0000          | 0001 ffff ffff | None               |       |
| <b>MULWF</b> f                                | Multiply WREG with f                  | 1      | 0011          | 0100 ffff ffff | None               | 9     |
| <b>NEGW</b> f,s                               | Negate WREG                           | 1      | 0010          | 110s ffff ffff | OV,C,DC,Z          | 1,3   |
| <b>NOP</b> —                                  | No Operation                          | 1      | 0000          | 0000 0000 0000 | None               |       |
| <b>RLCF</b> f,d                               | Rotate left f through Carry           | 1      | 0001          | 101d ffff ffff | C                  |       |
| <b>RLNCF</b> f,d                              | Rotate left f (no carry)              | 1      | 0010          | 001d ffff ffff | None               |       |
| <b>RRCF</b> f,d                               | Rotate right f through Carry          | 1      | 0001          | 100d ffff ffff | C                  |       |
| <b>RRNCF</b> f,d                              | Rotate right f (no carry)             | 1      | 0010          | 000d ffff ffff | None               |       |
| <b>SETF</b> f,s                               | Set f                                 | 1      | 0010          | 101s ffff ffff | None               | 3     |
| <b>SUBWF</b> f,d                              | Subtract WREG from f                  | 1      | 0000          | 010d ffff ffff | OV,C,DC,Z          | 1     |
| <b>SUBWFB</b> f,d                             | Subtract WREG from f with Borrow      | 1      | 0000          | 001d ffff ffff | OV,C,DC,Z          | 1     |
| <b>SWAPF</b> f,d                              | Swap f                                | 1      | 0001          | 110d ffff ffff | None               |       |
| <b>TABLRD</b> t,i,f                           | Table Read                            | 2 (3)  | 1010          | 10ti ffff ffff | None               | 7     |

Legend: Refer to Table 15-1 for opcode field descriptions.

Note 1: 2's Complement method.

2: Unsigned arithmetic.

3: If s = '1', only the file is affected; If s = '0', both the WREG register and the file are affected; If only the Working register (WREG) is required to be affected, then f = WREG must be specified.

4: During an LCALL, the contents of PCLATH are loaded into the MSB of the PC and kkkk kkkk is loaded into the LSB of the PC (PCL)

5: Multiple cycle instruction for EPROM programming when table pointer selects internal EPROM. The instruction is terminated by an interrupt event. When writing to external program memory, it is a two-cycle instruction.

6: Two-cycle instruction when condition is true, else single cycle instruction.

7: Two-cycle instruction except for TABLRD to PCL (program counter low byte) in which case it takes 3 cycles.

8: A "skip" means that instruction fetched during execution of current instruction is not executed, instead an NOP is executed.

9: These instructions are not available on the PIC17C42.

**TABLE 15-2: PIC17CXX INSTRUCTION SET (Cont.'d)**

| Mnemonic,<br>Operands                        | Description                                   | Cycles | 16-bit Opcode |                | Status<br>Affected             | Notes |
|--|---|--------|---------------|----------------|--------------------------------|-------|
|  |   |        | MSb           | LSb            |                                |       |
| <b>TABLWT</b> t,i,f                          | Table Write                                   | 2      | 1010          | 11ti ffff ffff | None                           | 5     |
| <b>TLRD</b> t,f                              | Table Latch Read                              | 1      | 1010          | 00tx ffff ffff | None                           |       |
| <b>TLWT</b> t,f                              | Table Latch Write                             | 1      | 1010          | 01tx ffff ffff | None                           |       |
| <b>TSTFSZ</b> f                              | Test f, skip if 0                             | 1 (2)  | 0011          | 0011 ffff ffff | None                           | 6,8   |
| <b>XORWF</b> f,d                             | Exclusive OR WREG with f                      | 1      | 0000          | 110d ffff ffff | Z                              |       |
| <b>BIT-ORIENTED FILE REGISTER OPERATIONS</b> |   |        |               |                |                                |       |
| <b>BCF</b> f,b                               | Bit Clear f                                   | 1      | 1000          | 1bbb ffff ffff | None                           |       |
| <b>BSF</b> f,b                               | Bit Set f                                     | 1      | 1000          | 0bbb ffff ffff | None                           |       |
| <b>BTFSZ</b> f,b                             | Bit test, skip if clear                       | 1 (2)  | 1001          | 1bbb ffff ffff | None                           | 6,8   |
| <b>BTFSZ</b> f,b                             | Bit test, skip if set                         | 1 (2)  | 1001          | 0bbb ffff ffff | None                           | 6,8   |
| <b>BTG</b> f,b                               | Bit Toggle f                                  | 1      | 0011          | 1bbb ffff ffff | None                           |       |
| <b>LITERAL AND CONTROL OPERATIONS</b>        |   |        |               |                |                                |       |
| <b>ADDLW</b> k                               | ADD literal to WREG                           | 1      | 1011          | 0001 kkkk kkkk | OV,C,DC,Z                      |       |
| <b>ANDLW</b> k                               | AND literal with WREG                         | 1      | 1011          | 0101 kkkk kkkk | Z                              |       |
| <b>CALL</b> k                                | Subroutine Call                               | 2      | 111k          | kkkk kkkk kkkk | None                           | 7     |
| <b>CLRWDT</b> —                              | Clear Watchdog Timer                          | 1      | 0000          | 0000 0000 0100 | $\overline{TO}, \overline{PD}$ |       |
| <b>GOTO</b> k                                | Unconditional Branch                          | 2      | 110k          | kkkk kkkk kkkk | None                           | 7     |
| <b>IORLW</b> k                               | Inclusive OR literal with WREG                | 1      | 1011          | 0011 kkkk kkkk | Z                              |       |
| <b>LCALL</b> k                               | Long Call                                     | 2      | 1011          | 0111 kkkk kkkk | None                           | 4,7   |
| <b>MOVLB</b> k                               | Move literal to low nibble in BSR             | 1      | 1011          | 1000 uuuu kkkk | None                           |       |
| <b>MOVLR</b> k                               | Move literal to high nibble in BSR            | 1      | 1011          | 101x kkkk uuuu | None                           | 9     |
| <b>MOVLW</b> k                               | Move literal to WREG                          | 1      | 1011          | 0000 kkkk kkkk | None                           |       |
| <b>MULLW</b> k                               | Multiply literal with WREG                    | 1      | 1011          | 1100 kkkk kkkk | None                           | 9     |
| <b>RETFIE</b> —                              | Return from interrupt (and enable interrupts) | 2      | 0000          | 0000 0000 0101 | GLINTD                         | 7     |
| <b>RETLW</b> k                               | Return literal to WREG                        | 2      | 1011          | 0110 kkkk kkkk | None                           | 7     |
| <b>RETURN</b> —                              | Return from subroutine                        | 2      | 0000          | 0000 0000 0010 | None                           | 7     |
| <b>SLEEP</b> —                               | Enter SLEEP Mode                              | 1      | 0000          | 0000 0000 0011 | $\overline{TO}, \overline{PD}$ |       |
| <b>SUBLW</b> k                               | Subtract WREG from literal                    | 1      | 1011          | 0010 kkkk kkkk | OV,C,DC,Z                      |       |
| <b>XORLW</b> k                               | Exclusive OR literal with WREG                | 1      | 1011          | 0100 kkkk kkkk | Z                              |       |

Legend: Refer to Table 15-1 for opcode field descriptions.

Note 1: 2's Complement method.

2: Unsigned arithmetic.

3: If s = '1', only the file is affected; If s = '0', both the WREG register and the file are affected; If only the Working register (WREG) is required to be affected, then f = WREG must be specified.

4: During an **LCALL**, the contents of PCLATH are loaded into the MSB of the PC and kkkk kkkk is loaded into the LSB of the PC (PCL)

5: Multiple cycle instruction for EPROM programming when table pointer selects internal EPROM. The instruction is terminated by an interrupt event. When writing to external program memory, it is a two-cycle instruction.

6: Two-cycle instruction when condition is true, else single cycle instruction.

7: Two-cycle instruction except for **TABLRD** to PCL (program counter low byte) in which case it takes 3 cycles.

8: A "skip" means that instruction fetched during execution of current instruction is not executed, instead an NOP is executed.

9: These instructions are not available on the PIC17C42.

# PIC17C4X

## ADDLW ADD Literal to WREG

Syntax: [ *label* ] ADDLW k

Operands:  $0 \leq k \leq 255$

Operation: (WREG) + k → (WREG)

Status Affected: OV, C, DC, Z

Encoding: 

|      |      |      |      |
|------|------|------|------|
| 1011 | 0001 | kkkk | kkkk |
|------|------|------|------|

Description: The contents of WREG are added to the 8-bit literal 'k' and the result is placed in WREG.

Words: 1

Cycles: 1

Q Cycle Activity:

| Q1     | Q2               | Q3      | Q4            |
|--------|------------------|---------|---------------|
| Decode | Read literal 'k' | Execute | Write to WREG |

Example: ADDLW 0x15

Before Instruction

WREG = 0x10

After Instruction

WREG = 0x25

## ADDWF ADD WREG to f

Syntax: [ *label* ] ADDWF f,d

Operands:  $0 \leq f \leq 255$

$d \in [0,1]$

Operation: (WREG) + (f) → (dest)

Status Affected: OV, C, DC, Z

Encoding: 

|      |      |      |      |
|------|------|------|------|
| 0000 | 111d | ffff | ffff |
|------|------|------|------|

Description: Add WREG to register 'f'. If 'd' is 0 the result is stored in WREG. If 'd' is 1 the result is stored back in register 'f'.

Words: 1

Cycles: 1

Q Cycle Activity:

| Q1     | Q2                | Q3      | Q4                   |
|--------|-------------------|---------|----------------------|
| Decode | Read register 'f' | Execute | Write to destination |

Example: ADDWF REG, 0

Before Instruction

WREG = 0x17

REG = 0xC2

After Instruction

WREG = 0xD9

REG = 0xC2



## **ADDWFC**      **ADD WREG and Carry bit to f**

**Syntax:**            `[ label ] ADDWFC    f,d`

**Operands:**         $0 \leq f \leq 255$   
 $d \in [0,1]$

**Operation:**         $(WREG) + (f) + C \rightarrow (dest)$

**Status Affected:** **OV, C, DC, Z**

**Encoding:**

|      |      |      |      |
|------|------|------|------|
| 0001 | 000d | ffff | ffff |
|------|------|------|------|

**Description:**    Add WREG, the Carry Flag and data memory location 'f'. If 'd' is 0, the result is placed in WREG. If 'd' is 1, the result is placed in data memory location 'f'.

**Words:**            1

**Cycles:**            1

**Q Cycle Activity:**

| Q1     | Q2                | Q3      | Q4                   |
|--------|-------------------|---------|----------------------|
| Decode | Read register 'f' | Execute | Write to destination |

**Example:**            `ADDWFC      REG    0`

**Before Instruction**

Carry bit = 1  
 REG = 0x02  
 WREG = 0x4D

**After Instruction**

Carry bit = 0  
 REG = 0x02  
 WREG = 0x50

## **ANDLW**            **And Literal with WREG**

**Syntax:**            `[ label ] ANDLW    k`

**Operands:**         $0 \leq k \leq 255$

**Operation:**         $(WREG) .AND. (k) \rightarrow (WREG)$

**Status Affected:** **Z**

**Encoding:**

|      |      |      |      |
|------|------|------|------|
| 1011 | 0101 | kkkk | kkkk |
|------|------|------|------|

**Description:**    The contents of WREG are AND'ed with the 8-bit literal 'k'. The result is placed in WREG.

**Words:**            1

**Cycles:**            1

**Q Cycle Activity:**

| Q1     | Q2               | Q3      | Q4            |
|--------|------------------|---------|---------------|
| Decode | Read literal 'k' | Execute | Write to WREG |

**Example:**            `ANDLW      0x5F`

**Before Instruction**

WREG = 0xA3

**After Instruction**

WREG = 0x03

# PIC17C4X

## ANDWF AND WREG with f

**Syntax:** [ *label* ] ANDWF f,d

**Operands:**  $0 \leq f \leq 255$   
 $d \in [0,1]$

**Operation:** (WREG) .AND. (f) → (dest)

**Status Affected:** Z

**Encoding:**

|      |      |      |      |
|------|------|------|------|
| 0000 | 101d | ffff | ffff |
|------|------|------|------|

**Description:** The contents of WREG are AND'ed with register 'f'. If 'd' is 0 the result is stored in WREG. If 'd' is 1 the result is stored back in register 'f'.

**Words:** 1

**Cycles:** 1

**Q Cycle Activity:**

| Q1     | Q2                | Q3      | Q4                   |
|--------|-------------------|---------|----------------------|
| Decode | Read register 'f' | Execute | Write to destination |

**Example:** ANDWF REG, 1

**Before Instruction**  
WREG = 0x17  
REG = 0xC2

**After Instruction**  
WREG = 0x17  
REG = 0x02

## BCF Bit Clear f

**Syntax:** [ *label* ] BCF f,b

**Operands:**  $0 \leq f \leq 255$   
 $0 \leq b \leq 7$

**Operation:**  $0 \rightarrow (f<b>)$

**Status Affected:** None

**Encoding:**

|      |      |      |      |
|------|------|------|------|
| 1000 | 1bbb | ffff | ffff |
|------|------|------|------|

**Description:** Bit 'b' in register 'f' is cleared.

**Words:** 1

**Cycles:** 1

**Q Cycle Activity:**

| Q1     | Q2                | Q3      | Q4                 |
|--------|-------------------|---------|--------------------|
| Decode | Read register 'f' | Execute | Write register 'f' |

**Example:** BCF FLAG\_REG, 7

**Before Instruction**  
FLAG\_REG = 0xC7

**After Instruction**  
FLAG\_REG = 0x47

**BSF**                      **Bit Set f**

---

Syntax:                    [ *label* ] BSF f,b

Operands:                 $0 \leq f \leq 255$   
 $0 \leq b \leq 7$

Operation:                 $1 \rightarrow (f<b>)$

Status Affected:        None

Encoding:                

|      |      |      |      |
|------|------|------|------|
| 1000 | 0bbb | ffff | ffff |
|------|------|------|------|

Description:             Bit 'b' in register 'f' is set.

Words:                    1

Cycles:                    1

Q Cycle Activity:

| Q1     | Q2                | Q3      | Q4                 |
|--------|-------------------|---------|--------------------|
| Decode | Read register 'f' | Execute | Write register 'f' |

Example:                BSF        FLAG\_REG, 7

Before Instruction  
FLAG\_REG= 0x0A

After Instruction  
FLAG\_REG= 0x8A

**BTFSC**                    **Bit Test, skip if Clear**

---

Syntax:                    [ *label* ] BTFSC f,b

Operands:                 $0 \leq f \leq 255$   
 $0 \leq b \leq 7$

Operation:                skip if  $(f<b>) = 0$

Status Affected:        None

Encoding:                

|      |      |      |      |
|------|------|------|------|
| 1001 | 1bbb | ffff | ffff |
|------|------|------|------|

Description:             If bit 'b' in register 'f' is 0 then the next instruction is skipped.  
If bit 'b' is 0 then the next instruction fetched during the current instruction execution is discarded, and a NOP is executed instead, making this a two-cycle instruction.

Words:                    1

Cycles:                    1(2)

Q Cycle Activity:

| Q1     | Q2                | Q3      | Q4  |
|--------|-------------------|---------|-----|
| Decode | Read register 'f' | Execute | NOP |

If skip:

| Q1         | Q2  | Q3      | Q4  |
|------------|-----|---------|-----|
| Forced NOP | NOP | Execute | NOP |

Example:                HERE    BTFSC    FLAG, 1  
                              FALSE    :  
                              TRUE     :

Before Instruction  
PC = address (HERE)

After Instruction  
If FLAG<1> = 0;  
PC = address (TRUE)  
If FLAG<1> = 1;  
PC = address (FALSE)

# PIC17C4X

## BTFSS Bit Test, skip if Set

Syntax: [ *label* ] BTFSS f,b

Operands:  $0 \leq f \leq 127$   
 $0 \leq b < 7$

Operation: skip if (f<b>) = 1

Status Affected: None

Encoding: 

|      |      |      |      |
|------|------|------|------|
| 1001 | 0bbb | ffff | ffff |
|------|------|------|------|

Description: If bit 'b' in register 'f' is 1 then the next instruction is skipped.  
 If bit 'b' is 1, then the next instruction fetched during the current instruction execution, is discarded and an NOP is executed instead, making this a two-cycle instruction.

Words: 1

Cycles: 1(2)

Q Cycle Activity:

| Q1     | Q2                | Q3      | Q4  |
|--------|-------------------|---------|-----|
| Decode | Read register 'f' | Execute | NOP |

If skip:

| Q1         | Q2  | Q3      | Q4  |
|------------|-----|---------|-----|
| Forced NOP | NOP | Execute | NOP |

Example:            HERE    BTFSS    FLAG, 1  
                       FALSE    :  
                       TRUE     :

Before Instruction

PC = address (HERE)

After Instruction

If FLAG<1> = 0;  
 PC = address (FALSE)  
 If FLAG<1> = 1;  
 PC = address (TRUE)

## BTG Bit Toggle f

Syntax: [ *label* ] BTG f,b

Operands:  $0 \leq f \leq 255$   
 $0 \leq b < 7$

Operation:  $(\overline{f\langle b \rangle}) \rightarrow (f\langle b \rangle)$

Status Affected: None

Encoding: 

|      |      |      |      |
|------|------|------|------|
| 0011 | 1bbb | ffff | ffff |
|------|------|------|------|

Description: Bit 'b' in data memory location 'f' is inverted.

Words: 1

Cycles: 1

Q Cycle Activity:

| Q1     | Q2                | Q3      | Q4                 |
|--------|-------------------|---------|--------------------|
| Decode | Read register 'f' | Execute | Write register 'f' |

Example:            BTG    PORTC, 4

Before Instruction:

PORTC = 0111 0101 [0x75]

After Instruction:

PORTC = 0110 0101 [0x65]

## CALL Subroutine Call

**Syntax:** `[label] CALL k`

**Operands:**  $0 \leq k \leq 4095$

**Operation:**  $PC+1 \rightarrow TOS$ ,  $k \rightarrow PC<12:0>$ ,  
 $k<12:8> \rightarrow PCLATH<4:0>$ ;  
 $PC<15:13> \rightarrow PCLATH<7:5>$

**Status Affected:** None

**Encoding:**

|      |      |      |      |
|------|------|------|------|
| 111k | kkkk | kkkk | kkkk |
|------|------|------|------|

**Description:** Subroutine call within 8K page. First, return address (PC+1) is pushed onto the stack. The 13-bit value is loaded into PC bits<12:0>. Then the upper-eight bits of the PC are copied into PCLATH. Call is a two-cycle instruction. See LCALL for calls outside 8K memory space.

**Words:** 1

**Cycles:** 2

**Q Cycle Activity:**

|            | Q1                    | Q2      | Q3  | Q4 |
|------------|-----------------------|---------|-----|----|
| Decode     | Read literal 'k'<7:0> | Execute | NOP |    |
| Forced NOP | NOP                   | Execute | NOP |    |

**Example:**           HERE       CALL   THERE

**Before Instruction**

PC = Address (HERE)

**After Instruction**

PC = Address (THERE)

TOS = Address (HERE + 1)

## CLRF Clear f

**Syntax:** `[label] CLRF f,s`

**Operands:**  $0 \leq f \leq 255$

**Operation:**  $00h \rightarrow f$ ,  $s \in [0,1]$   
 $00h \rightarrow dest$

**Status Affected:** None

**Encoding:**

|      |      |      |      |
|------|------|------|------|
| 0010 | 100s | ffff | ffff |
|------|------|------|------|

**Description:** Clears the contents of the specified register(s).  
 $s = 0$ : Data memory location 'f' and WREG are cleared.  
 $s = 1$ : Data memory location 'f' is cleared.

**Words:** 1

**Cycles:** 1

**Q Cycle Activity:**

|        | Q1                | Q2      | Q3  | Q4 |
|--------|-------------------|---------|---|----|
| Decode | Read register 'f' | Execute | Write register 'f' and other specified register |    |

**Example:**                           CLRF       FLAG\_REG

**Before Instruction**

FLAG\_REG = 0x5A

**After Instruction**

FLAG\_REG = 0x00

# PIC17C4X

## CLRWDT Clear Watchdog Timer

Syntax: [ *label* ] CLRWDT

Operands: None

Operation: 00h → WDT  
 0 → WDT postscaler,  
 1 →  $\overline{TO}$   
 1 →  $\overline{PD}$

Status Affected:  $\overline{TO}$ ,  $\overline{PD}$

Encoding: 

|      |      |      |      |
|------|------|------|------|
| 0000 | 0000 | 0000 | 0100 |
|------|------|------|------|

Description: CLRWDT instruction resets the watchdog timer. It also resets the prescaler of the WDT. Status bits  $\overline{TO}$  and  $\overline{PD}$  are set.

Words: 1

Cycles: 1

Q Cycle Activity:

| Q1     | Q2                      | Q3      | Q4  |
|--------|-------------------------|---------|-----|
| Decode | Read register<br>ALUSTA | Execute | NOP |

**Example:** CLRWDT

Before Instruction  
 WDT counter = ?

After Instruction  
 WDT counter = 0x00  
 WDT Postscaler = 0  
 $\overline{TO}$  = 1  
 $\overline{PD}$  = 1

## COMF Complement f

Syntax: [ *label* ] COMF f,d

Operands:  $0 \leq f \leq 255$   
 $d \in [0,1]$

Operation:  $(\overline{f}) \rightarrow (\text{dest})$

Status Affected: Z

Encoding: 

|      |      |      |      |
|------|------|------|------|
| 0001 | 001d | ffff | ffff |
|------|------|------|------|

Description: The contents of register 'f' are complemented. If 'd' is 0 the result is stored in WREG. If 'd' is 1 the result is stored back in register 'f'.

Words: 1

Cycles: 1

Q Cycle Activity:

| Q1     | Q2                | Q3      | Q4                 |
|--------|-------------------|---------|--------------------|
| Decode | Read register 'f' | Execute | Write register 'f' |

**Example:** COMF REG1, 0

Before Instruction  
 REG1 = 0x13

After Instruction  
 REG1 = 0x13  
 WREG = 0xEC

## CPFSEQ Compare f with WREG, skip if f = WREG

**Syntax:** [label] CPFSEQ f

**Operands:**  $0 \leq f \leq 255$

**Operation:** (f) – (WREG), skip if (f) = (WREG) (unsigned comparison)

**Status Affected:** None

**Encoding:**

|      |      |      |      |
|------|------|------|------|
| 0011 | 0001 | ffff | ffff |
|------|------|------|------|

**Description:** Compares the contents of data memory location 'f' to the contents of WREG by performing an unsigned subtraction. If 'f' = WREG then the fetched instruction is discarded and an NOP is executed instead making this a two-cycle instruction.

**Words:** 1

**Cycles:** 1 (2)

**Q Cycle Activity:**

| Q1     | Q2                | Q3      | Q4  |
|--------|-------------------|---------|-----|
| Decode | Read register 'f' | Execute | NOP |

**If skip:**

| Q1         | Q2  | Q3      | Q4  |
|------------|-----|---------|-----|
| Forced NOP | NOP | Execute | NOP |

**Example:**

```

HERE    CPFSEQ REG
NEQUAL  :
EQUAL   :
```

**Before Instruction**

```

PC Address = HERE
WREG       = ?
REG        = ?
```

**After Instruction**

```

If REG     = WREG;
PC         = Address (EQUAL)
If REG     ≠ WREG;
PC         = Address (NEQUAL)
```

## CPFSGT Compare f with WREG, skip if f > WREG

**Syntax:** [label] CPFSGT f

**Operands:**  $0 \leq f \leq 255$

**Operation:** (f) – (WREG), skip if (f) > (WREG) (unsigned comparison)

**Status Affected:** None

**Encoding:**

|      |      |      |      |
|------|------|------|------|
| 0011 | 0010 | ffff | ffff |
|------|------|------|------|

**Description:** Compares the contents of data memory location 'f' to the contents of the WREG by performing an unsigned subtraction. If the contents of 'f' > the contents of WREG then the fetched instruction is discarded and an NOP is executed instead making this a two-cycle instruction.

**Words:** 1

**Cycles:** 1 (2)

**Q Cycle Activity:**

| Q1     | Q2                | Q3      | Q4  |
|--------|-------------------|---------|-----|
| Decode | Read register 'f' | Execute | NOP |

**If skip:**

| Q1         | Q2  | Q3      | Q4  |
|------------|-----|---------|-----|
| Forced NOP | NOP | Execute | NOP |

**Example:**

```

HERE    CPFSGT REG
NGREATER :
GREATER  :
```

**Before Instruction**

```

PC       = Address (HERE)
WREG     = ?
```

**After Instruction**

```

If REG   > WREG;
PC       = Address (GREATER)
If REG   ≤ WREG;
PC       = Address (NGREATER)
```

# PIC17C4X

## CPFSLT Compare f with WREG, skip if f < WREG

**Syntax:** [label] CPFSLT f

**Operands:**  $0 \leq f \leq 255$

**Operation:** (f) – (WREG), skip if (f) < (WREG) (unsigned comparison)

**Status Affected:** None

**Encoding:**

|      |      |      |      |
|------|------|------|------|
| 0011 | 0000 | ffff | ffff |
|------|------|------|------|

**Description:** Compares the contents of data memory location 'f' to the contents of WREG by performing an unsigned subtraction. If the contents of 'f' < the contents of WREG, then the fetched instruction is discarded and an NOP is executed instead making this a two-cycle instruction.

**Words:** 1

**Cycles:** 1 (2)

**Q Cycle Activity:**

| Q1     | Q2                | Q3      | Q4  |
|--------|-------------------|---------|-----|
| Decode | Read register 'f' | Execute | NOP |

**If skip:**

| Q1         | Q2  | Q3      | Q4  |
|------------|-----|---------|-----|
| Forced NOP | NOP | Execute | NOP |

**Example:**

```

HERE    CPFSLT REG
NLESS   :
LESS    :
```

**Before Instruction**

```

PC      = Address (HERE)
W       = ?
```

**After Instruction**

```

If REG < WREG;
PC      = Address (LESS)
If REG ≥ WREG;
PC      = Address (NLESS)
```

## DAW Decimal Adjust WREG Register

**Syntax:** [label] DAW f,s

**Operands:**  $0 \leq f \leq 255$   
 $s \in [0,1]$

**Operation:** If [WREG<3:0> >9] .OR. [DC = 1] then  
WREG<3:0> + 6 → f<3:0>, s<3:0>;  
else  
WREG<3:0> → f<3:0>, s<3:0>;  
  
If [WREG<7:4> >9] .OR. [C = 1] then  
WREG<7:4> + 6 → f<7:4>, s<7:4>;  
else  
WREG<7:4> → f<7:4>, s<7:4>

**Status Affected:** C

**Encoding:**

|      |      |      |      |
|------|------|------|------|
| 0010 | 111s | ffff | ffff |
|------|------|------|------|

**Description:** DAW adjusts the eight bit value in WREG resulting from the earlier addition of two variables (each in packed BCD format) and produces a correct packed BCD result.

s = 0: Result is placed in Data memory location 'f' and WREG.

s = 1: Result is placed in Data memory location 'f'.

**Words:** 1

**Cycles:** 1

**Q Cycle Activity:**

| Q1     | Q2                | Q3      | Q4  |
|--------|-------------------|---------|---|
| Decode | Read register 'f' | Execute | Write register 'f' and other specified register |

**Example 1:** DAW REG1, 0

**Before Instruction**

```

WREG = 0xA5
REG1 = ??
C    = 0
DC   = 0
```

**After Instruction**

```

WREG = 0x05
REG1 = 0x05
C    = 1
DC   = 0
```

**Example 2:**

**Before Instruction**

```

WREG = 0xCE
REG1 = ??
C    = 0
DC   = 0
```

**After Instruction**

```

WREG = 0x24
REG1 = 0x24
C    = 1
DC   = 0
```





# PIC17C4X

## DCFSNZ      Decrement f, skip if not 0

Syntax:            *[label]* DCFSNZ f,d

Operands:         $0 \leq f \leq 255$   
 $d \in [0,1]$

Operation:         $(f) - 1 \rightarrow (\text{dest});$   
 skip if not 0

Status Affected:    None

Encoding:        

|      |      |      |      |
|------|------|------|------|
| 0010 | 011d | ffff | ffff |
|------|------|------|------|

Description:      The contents of register 'f' are decremented. If 'd' is 0 the result is placed in WREG. If 'd' is 1 the result is placed back in register 'f'.

If the result is not 0, the next instruction, which is already fetched, is discarded, and an NOP is executed instead making it a two-cycle instruction.

Words:            1

Cycles:           1(2)

Q Cycle Activity:

| Q1     | Q2                | Q3      | Q4                   |
|--------|-------------------|---------|----------------------|
| Decode | Read register 'f' | Execute | Write to destination |

If skip:

| Q1         | Q2  | Q3      | Q4  |
|------------|-----|---------|-----|
| Forced NOP | NOP | Execute | NOP |

Example:        HERE      DCFSNZ    TEMP, 1  
                   ZERO        :  
                   NZERO      :

Before Instruction

TEMP\_VALUE      =    ?

After Instruction

TEMP\_VALUE      =    TEMP\_VALUE - 1,

If TEMP\_VALUE    =    0;

PC                =    Address (ZERO)

If TEMP\_VALUE     $\neq$  0;

PC                =    Address (NZERO)

## GOTO            Unconditional Branch

Syntax:            *[label]* GOTO k

Operands:         $0 \leq k \leq 8191$

Operation:         $k \rightarrow \text{PC}<12:0>;$   
 $k<12:8> \rightarrow \text{PCLATH}<4:0>;$   
 $\text{PC}<15:13> \rightarrow \text{PCLATH}<7:5>$

Status Affected:    None

Encoding:        

|      |      |      |      |
|------|------|------|------|
| 110k | kkkk | kkkk | kkkk |
|------|------|------|------|

Description:      GOTO allows an unconditional branch anywhere within an 8K page boundary. The thirteen bit immediate value is loaded into PC bits <12:0>. Then the upper eight bits of PC are loaded into PCLATH. GOTO is always a two-cycle instruction.

Words:            1

Cycles:           2

Q Cycle Activity:

| Q1         | Q2                    | Q3      | Q4  |
|------------|-----------------------|---------|-----|
| Decode     | Read literal 'k'<7:0> | Execute | NOP |
| Forced NOP | NOP                   | Execute | NOP |

Example:        GOTO THERE

After Instruction

PC = Address (THERE)

| INCF              | Increment f   |         |                      |      |      |        |                   |         |                      |
|-------------------|---|---------|----------------------|------|------|--------|-------------------|---------|----------------------|
| Syntax:           | [ <i>label</i> ] INCF f,d   |         |                      |      |      |        |                   |         |                      |
| Operands:         | 0 ≤ f ≤ 255<br>d ∈ [0,1]  |         |                      |      |      |        |                   |         |                      |
| Operation:        | (f) + 1 → (dest)  |         |                      |      |      |        |                   |         |                      |
| Status Affected:  | OV, C, DC, Z  |         |                      |      |      |        |                   |         |                      |
| Encoding:         | <table border="1"> <tr> <td>0001</td> <td>010d</td> <td>ffff</td> <td>ffff</td> </tr> </table>  | 0001    | 010d                 | ffff | ffff |        |                   |         |                      |
| 0001              | 010d  | ffff    | ffff                 |      |      |        |                   |         |                      |
| Description:      | The contents of register 'f' are incremented. If 'd' is 0 the result is placed in WREG. If 'd' is 1 the result is placed back in register 'f'.  |         |                      |      |      |        |                   |         |                      |
| Words:            | 1   |         |                      |      |      |        |                   |         |                      |
| Cycles:           | 1   |         |                      |      |      |        |                   |         |                      |
| Q Cycle Activity: | <table border="1"> <thead> <tr> <th>Q1</th> <th>Q2</th> <th>Q3</th> <th>Q4</th> </tr> </thead> <tbody> <tr> <td>Decode</td> <td>Read register 'f'</td> <td>Execute</td> <td>Write to destination</td> </tr> </tbody> </table> | Q1      | Q2                   | Q3   | Q4   | Decode | Read register 'f' | Execute | Write to destination |
| Q1                | Q2  | Q3      | Q4                   |      |      |        |                   |         |                      |
| Decode            | Read register 'f'   | Execute | Write to destination |      |      |        |                   |         |                      |

**Example:** INCF CNT, 1

**Before Instruction**

CNT = 0xFF  
Z = 0  
C = ?

**After Instruction**

CNT = 0x00  
Z = 1  
C = 1

| INCFSZ            | Increment f, skip if 0  |         |                      |      |      |        |                   |         |                      |
|-------------------|---|---------|----------------------|------|------|--------|-------------------|---------|----------------------|
| Syntax:           | [ <i>label</i> ] INCFSZ f,d   |         |                      |      |      |        |                   |         |                      |
| Operands:         | 0 ≤ f ≤ 255<br>d ∈ [0,1]  |         |                      |      |      |        |                   |         |                      |
| Operation:        | (f) + 1 → (dest)<br>skip if result = 0  |         |                      |      |      |        |                   |         |                      |
| Status Affected:  | None  |         |                      |      |      |        |                   |         |                      |
| Encoding:         | <table border="1"> <tr> <td>0001</td> <td>111d</td> <td>ffff</td> <td>ffff</td> </tr> </table>  | 0001    | 111d                 | ffff | ffff |        |                   |         |                      |
| 0001              | 111d  | ffff    | ffff                 |      |      |        |                   |         |                      |
| Description:      | The contents of register 'f' are incremented. If 'd' is 0 the result is placed in WREG. If 'd' is 1 the result is placed back in register 'f'.<br><br>If the result is 0, the next instruction, which is already fetched, is discarded, and an NOP is executed instead making it a two-cycle instruction. |         |                      |      |      |        |                   |         |                      |
| Words:            | 1   |         |                      |      |      |        |                   |         |                      |
| Cycles:           | 1(2)  |         |                      |      |      |        |                   |         |                      |
| Q Cycle Activity: | <table border="1"> <thead> <tr> <th>Q1</th> <th>Q2</th> <th>Q3</th> <th>Q4</th> </tr> </thead> <tbody> <tr> <td>Decode</td> <td>Read register 'f'</td> <td>Execute</td> <td>Write to destination</td> </tr> </tbody> </table>   | Q1      | Q2                   | Q3   | Q4   | Decode | Read register 'f' | Execute | Write to destination |
| Q1                | Q2  | Q3      | Q4                   |      |      |        |                   |         |                      |
| Decode            | Read register 'f'   | Execute | Write to destination |      |      |        |                   |         |                      |

**Q Cycle Activity:**

| Q1     | Q2                | Q3      | Q4                   |
|--------|-------------------|---------|----------------------|
| Decode | Read register 'f' | Execute | Write to destination |

**If skip:**

| Q1         | Q2  | Q3      | Q4  |
|------------|-----|---------|-----|
| Forced NOP | NOP | Execute | NOP |

**Example:** HERE INCFSZ CNT, 1  
NZERO :  
ZERO :

**Before Instruction**

PC = Address (HERE)

**After Instruction**

CNT = CNT + 1  
If CNT = 0;  
PC = Address (ZERO)  
If CNT ≠ 0;  
PC = Address (NZERO)

# PIC17C4X

## INFSNZ Increment f, skip if not 0

**Syntax:** `[label] INFSNZ f,d`

**Operands:**  $0 \leq f \leq 255$   
 $d \in [0,1]$

**Operation:**  $(f) + 1 \rightarrow (\text{dest})$ , skip if not 0

**Status Affected:** None

**Encoding:**

|      |      |      |      |
|------|------|------|------|
| 0010 | 010d | ffff | ffff |
|------|------|------|------|

**Description:** The contents of register 'f' are incremented. If 'd' is 0 the result is placed in WREG. If 'd' is 1 the result is placed back in register 'f'.  
 If the result is not 0, the next instruction, which is already fetched, is discarded, and an NOP is executed instead making it a two-cycle instruction.

**Words:** 1

**Cycles:** 1(2)

**Q Cycle Activity:**

| Q1     | Q2                | Q3      | Q4                   |
|--------|-------------------|---------|----------------------|
| Decode | Read register 'f' | Execute | Write to destination |

**If skip:**

| Q1         | Q2  | Q3      | Q4  |
|------------|-----|---------|-----|
| Forced NOP | NOP | Execute | NOP |

**Example:** `HERE INFSNZ REG, 1`  
`ZERO`  
`NZERO`

**Before Instruction**  
`REG = REG`

**After Instruction**  
`REG = REG + 1`  
 If `REG = 1`;  
`PC = Address (ZERO)`  
 If `REG = 0`;  
`PC = Address (NZERO)`

## IORLW Inclusive OR Literal with WREG

**Syntax:** `[label] IORLW k`

**Operands:**  $0 \leq k \leq 255$

**Operation:**  $(\text{WREG}) .\text{OR.} (k) \rightarrow (\text{WREG})$

**Status Affected:** Z

**Encoding:**

|      |      |      |      |
|------|------|------|------|
| 1011 | 0011 | kkkk | kkkk |
|------|------|------|------|

**Description:** The contents of WREG are OR'ed with the eight bit literal 'k'. The result is placed in WREG.

**Words:** 1

**Cycles:** 1

**Q Cycle Activity:**

| Q1     | Q2               | Q3      | Q4            |
|--------|------------------|---------|---------------|
| Decode | Read literal 'k' | Execute | Write to WREG |

**Example:** `IORLW 0x35`

**Before Instruction**  
`WREG = 0x9A`

**After Instruction**  
`WREG = 0xBF`

**IORWF**                    **Inclusive OR WREG with f**

---

Syntax:                    [ *label* ] IORWF f,d

Operands:                 $0 \leq f \leq 255$   
 $d \in [0,1]$

Operation:                (WREG) .OR. (f) → (dest)

Status Affected:        Z

Encoding:                

|      |      |      |      |
|------|------|------|------|
| 0000 | 100d | ffff | ffff |
|------|------|------|------|

Description:             Inclusive OR WREG with register 'f'. If 'd' is 0 the result is placed in WREG. If 'd' is 1 the result is placed back in register 'f'.

Words:                    1

Cycles:                   1

Q Cycle Activity:

| Q1     | Q2                | Q3      | Q4                   |
|--------|-------------------|---------|----------------------|
| Decode | Read register 'f' | Execute | Write to destination |

Example:                    IORWF RESULT, 0

Before Instruction

RESULT = 0x13  
WREG = 0x91

After Instruction

RESULT = 0x13  
WREG = 0x93

**LCALL**                    **Long Call**

---

Syntax:                    [ *label* ] LCALL k

Operands:                 $0 \leq k \leq 255$

Operation:                 $PC + 1 \rightarrow TOS;$   
 $k \rightarrow PCL, (PCLATH) \rightarrow PCH$

Status Affected:        None

Encoding:                

|      |      |      |      |
|------|------|------|------|
| 1011 | 0111 | kkkk | kkkk |
|------|------|------|------|

Description:             LCALL allows an unconditional subroutine call to anywhere within the 64k program memory space.  
First, the return address (PC + 1) is pushed onto the stack. A 16-bit destination address is then loaded into the program counter. The lower 8-bits of the destination address is embedded in the instruction. The upper 8-bits of PC is loaded from PC high holding latch, PCLATH.

Words:                    1

Cycles:                   2

Q Cycle Activity:

| Q1         | Q2               | Q3      | Q4                 |
|------------|------------------|---------|--------------------|
| Decode     | Read literal 'k' | Execute | Write register PCL |
| Forced NOP | NOP              | Execute | NOP                |

Example:                    MOVLW HIGH(SUBROUTINE)  
MOVWF WREG, PCLATH  
LCALL LOW(SUBROUTINE)

Before Instruction

SUBROUTINE = 16-bit Address  
PC = ?

After Instruction

PC = Address (SUBROUTINE)

# PIC17C4X

## MOVFP Move f to p

Syntax: `[label] MOVFP f,p`

Operands:  $0 \leq f \leq 255$   
 $0 \leq p \leq 31$

Operation:  $(f) \rightarrow (p)$

Status Affected: None

Encoding: 

|      |      |      |      |
|------|------|------|------|
| 011p | pppp | ffff | ffff |
|------|------|------|------|

Description: Move data from data memory location 'f' to data memory location 'p'. Location 'f' can be anywhere in the 256 word data space (00h to FFh) while 'p' can be 00h to 1Fh.

Either 'p' or 'f' can be WREG (a useful special situation).

MOVFP is particularly useful for transferring a data memory location to a peripheral register (such as the transmit buffer or an I/O port). Both 'f' and 'p' can be indirectly addressed.

Words: 1

Cycles: 1

Q Cycle Activity:

| Q1     | Q2                | Q3      | Q4                 |
|--------|-------------------|---------|--------------------|
| Decode | Read register 'f' | Execute | Write register 'p' |

**Example:** `MOVFP REG1, REG2`

Before Instruction

REG1 = 0x33,  
 REG2 = 0x11

After Instruction

REG1 = 0x33,  
 REG2 = 0x33

## MOVLB Move Literal to low nibble in BSR

Syntax: `[label] MOVLB k`

Operands:  $0 \leq k \leq 15$

Operation:  $k \rightarrow (\text{BSR}\langle 3:0 \rangle)$

Status Affected: None

Encoding: 

|      |      |      |      |
|------|------|------|------|
| 1011 | 1000 | uuuu | kkkk |
|------|------|------|------|

Description: The four bit literal 'k' is loaded in the Bank Select Register (BSR). Only the low 4-bits of the Bank Select Register are affected. The upper half of the BSR is unchanged. The assembler will encode the "u" fields as '0'.

Words: 1

Cycles: 1

Q Cycle Activity:

| Q1     | Q2                 | Q3      | Q4                            |
|--------|--------------------|---------|-------------------------------|
| Decode | Read literal 'u:k' | Execute | Write literal 'k' to BSR<3:0> |

**Example:** `MOVLB 0x5`

Before Instruction

BSR register = 0x22

After Instruction

BSR register = 0x25

**Note:** For the PIC17C42, only the low four bits of the BSR register are physically implemented. The upper nibble is read as '0'.

## MOVLR Move Literal to high nibble in BSR

Syntax: [ *label* ] MOVLR k

Operands:  $0 \leq k \leq 15$

Operation:  $k \rightarrow (\text{BSR}\langle 7:4 \rangle)$

Status Affected: None

Encoding: 

|      |      |      |      |
|------|------|------|------|
| 1011 | 101x | kkkk | uuuu |
|------|------|------|------|

Description: The 4-bit literal 'k' is loaded into the most significant 4-bits of the Bank Select Register (BSR). Only the high 4-bits of the Bank Select Register are affected. The lower half of the BSR is unchanged. The assembler will encode the "u" fields as 0.

Words: 1

Cycles: 1

Q Cycle Activity:

| Q1     | Q2                 | Q3      | Q4                            |
|--------|--------------------|---------|-------------------------------|
| Decode | Read literal 'k:u' | Execute | Write literal 'k' to BSR<7:4> |

Example: MOVLR 5

Before Instruction

BSR register = 0x22

After Instruction

BSR register = 0x52

**Note:** This instruction is not available in the PIC17C42 device.

## MOVLW Move Literal to WREG

Syntax: [ *label* ] MOVLW k

Operands:  $0 \leq k \leq 255$

Operation:  $k \rightarrow (\text{WREG})$

Status Affected: None

Encoding: 

|      |      |      |      |
|------|------|------|------|
| 1011 | 0000 | kkkk | kkkk |
|------|------|------|------|

Description: The eight bit literal 'k' is loaded into WREG.

Words: 1

Cycles: 1

Q Cycle Activity:

| Q1     | Q2               | Q3      | Q4            |
|--------|------------------|---------|---------------|
| Decode | Read literal 'k' | Execute | Write to WREG |

Example: MOVLW 0x5A

After Instruction

WREG = 0x5A

# PIC17C4X

## MOVPF Move p to f

Syntax: `[label] MOVPF p,f`

Operands:  $0 \leq f \leq 255$   
 $0 \leq p \leq 31$

Operation:  $(p) \rightarrow (f)$

Status Affected: Z

Encoding: 

|      |      |      |      |
|------|------|------|------|
| 010p | pppp | ffff | ffff |
|------|------|------|------|

Description: Move data from data memory location 'p' to data memory location 'f'. Location 'f' can be anywhere in the 256 byte data space (00h to FFh) while 'p' can be 00h to 1Fh.

Either 'p' or 'f' can be WREG (a useful special situation).

MOVPF is particularly useful for transferring a peripheral register (e.g. the timer or an I/O port) to a data memory location. Both 'f' and 'p' can be indirectly addressed.

Words: 1

Cycles: 1

Q Cycle Activity:

| Q1     | Q2                | Q3      | Q4                 |
|--------|-------------------|---------|--------------------|
| Decode | Read register 'p' | Execute | Write register 'f' |

Example: `MOVPF REG1, REG2`

Before Instruction

REG1 = 0x11  
 REG2 = 0x33

After Instruction

REG1 = 0x11  
 REG2 = 0x11

## MOVWF Move WREG to f

Syntax: `[label] MOVWF f`

Operands:  $0 \leq f \leq 255$

Operation:  $(WREG) \rightarrow (f)$

Status Affected: None

Encoding: 

|      |      |      |      |
|------|------|------|------|
| 0000 | 0001 | ffff | ffff |
|------|------|------|------|

Description: Move data from WREG to register 'f'. Location 'f' can be anywhere in the 256 word data space.

Words: 1

Cycles: 1

Q Cycle Activity:

| Q1     | Q2                | Q3      | Q4                 |
|--------|-------------------|---------|--------------------|
| Decode | Read register 'f' | Execute | Write register 'f' |

Example: `MOVWF REG`

Before Instruction

WREG = 0x4F  
 REG = 0xFF

After Instruction

WREG = 0x4F  
 REG = 0x4F



## MULLW Multiply Literal with WREG

Syntax: [ *label* ] MULLW k

Operands:  $0 \leq k \leq 255$

Operation:  $(k \times \text{WREG}) \rightarrow \text{PRODH:PRODL}$

Status Affected: None

Encoding: 

|      |      |      |      |
|------|------|------|------|
| 1011 | 1100 | kkkk | kkkk |
|------|------|------|------|

Description: An unsigned multiplication is carried out between the contents of WREG and the 8-bit literal 'k'. The 16-bit result is placed in PRODH:PRODL register pair. PRODH contains the high byte. WREG is unchanged. None of the status flags are affected. Note that neither overflow nor carry is possible in this operation. A zero result is possible but not detected.

Words: 1

Cycles: 1

Q Cycle Activity:

| Q1     | Q2               | Q3      | Q4                           |
|--------|------------------|---------|------------------------------|
| Decode | Read literal 'k' | Execute | Write registers PRODH: PRODL |

**Example:** MULLW 0xC4

Before Instruction

WREG = 0xE2  
 PRODH = ?  
 PRODL = ?

After Instruction

WREG = 0xC4  
 PRODH = 0xAD  
 PRODL = 0x08

**Note:** This instruction is not available in the PIC17C42 device.

## MULWF Multiply WREG with f

Syntax: [ *label* ] MULWF f

Operands:  $0 \leq f \leq 255$

Operation:  $(\text{WREG} \times f) \rightarrow \text{PRODH:PRODL}$

Status Affected: None

Encoding: 

|      |      |      |      |
|------|------|------|------|
| 0011 | 0100 | ffff | ffff |
|------|------|------|------|

Description: An unsigned multiplication is carried out between the contents of WREG and the register file location 'f'. The 16-bit result is stored in the PRODH:PRODL register pair. PRODH contains the high byte. Both WREG and 'f' are unchanged. None of the status flags are affected. Note that neither overflow nor carry is possible in this operation. A zero result is possible but not detected.

Words: 1

Cycles: 1

Q Cycle Activity:

| Q1     | Q2                | Q3      | Q4                           |
|--------|-------------------|---------|------------------------------|
| Decode | Read register 'f' | Execute | Write registers PRODH: PRODL |

**Example:** MULWF REG

Before Instruction

WREG = 0xC4  
 REG = 0xB5  
 PRODH = ?  
 PRODL = ?

After Instruction

WREG = 0xC4  
 REG = 0xB5  
 PRODH = 0x8A  
 PRODL = 0x94

**Note:** This instruction is not available in the PIC17C42 device.

# PIC17C4X

## NEGW Negate W

Syntax: `[label] NEGW f,s`

Operands:  $0 \leq F \leq 255$   
 $s \in [0,1]$

Operation:  $\overline{WREG} + 1 \rightarrow (f)$ ;  
 $\overline{WREG} + 1 \rightarrow s$

Status Affected: OV, C, DC, Z

Encoding: 

|      |      |      |      |
|------|------|------|------|
| 0010 | 110s | ffff | ffff |
|------|------|------|------|

Description: WREG is negated using two's complement. If 's' is 0 the result is placed in WREG and data memory location 'f'. If 's' is 1 the result is placed only in data memory location 'f'.

Words: 1

Cycles: 1

Q Cycle Activity:

| Q1     | Q2                | Q3      | Q4  |
|--------|-------------------|---------|---|
| Decode | Read register 'f' | Execute | Write register 'f' and other specified register |

**Example:** `NEGW REG,0`

### Before Instruction

WREG = 0011 1010 [0x3A],  
 REG = 1010 1011 [0xAB]

### After Instruction

WREG = 1100 0111 [0xC6]  
 REG = 1100 0111 [0xC6]

## NOP No Operation

Syntax: `[label] NOP`

Operands: None

Operation: No operation

Status Affected: None

Encoding: 

|      |      |      |      |
|------|------|------|------|
| 0000 | 0000 | 0000 | 0000 |
|------|------|------|------|

Description: No operation.

Words: 1

Cycles: 1

Q Cycle Activity:

| Q1     | Q2  | Q3      | Q4  |
|--------|-----|---------|-----|
| Decode | NOP | Execute | NOP |

**Example:**

None.

## RETFIE Return from Interrupt

Syntax: [label] RETFIE

Operands: None

Operation: TOS → (PC);  
0 → GLINTD;  
PCLATH is unchanged.

Status Affected: GLINTD

Encoding: 

|      |      |      |      |
|------|------|------|------|
| 0000 | 0000 | 0000 | 0101 |
|------|------|------|------|

Description: Return from Interrupt. Stack is POP'ed and Top of Stack (TOS) is loaded in the PC. Interrupts are enabled by clearing the GLINTD bit. GLINTD is the global interrupt disable bit (CPUSTA<4>).

Words: 1

Cycles: 2

Q Cycle Activity:

| Q1         | Q2                  | Q3      | Q4  |
|------------|---------------------|---------|-----|
| Decode     | Read register TOSTA | Execute | NOP |
| Forced NOP | NOP                 | Execute | NOP |

**Example:** RETFIE

After Interrupt  
PC = TOS  
GLINTD = 0

## RETLW Return Literal to WREG

Syntax: [label] RETLW k

Operands:  $0 \leq k \leq 255$

Operation:  $k \rightarrow$  (WREG); TOS → (PC);  
PCLATH is unchanged

Status Affected: None

Encoding: 

|      |      |      |      |
|------|------|------|------|
| 1011 | 0110 | kkkk | kkkk |
|------|------|------|------|

Description: WREG is loaded with the eight bit literal 'k'. The program counter is loaded from the top of the stack (the return address). The high address latch (PCLATH) remains unchanged.

Words: 1

Cycles: 2

Q Cycle Activity:

| Q1         | Q2               | Q3      | Q4            |
|------------|------------------|---------|---------------|
| Decode     | Read literal 'k' | Execute | Write to WREG |
| Forced NOP | NOP              | Execute | NOP           |

**Example:**

```
CALL TABLE ; WREG contains table
              ; offset value
              ; WREG now has
              ; table value
:
TABLE
ADDWF PC ; WREG = offset
RETLW k0 ; Begin table
RETLW k1 ;
:
:
RETLW kn ; End of table
```

Before Instruction

WREG = 0x07

After Instruction

WREG = value of k7

# PIC17C4X

## RETURN Return from Subroutine

Syntax: [ *label* ] RETURN

Operands: None

Operation: TOS → PC;

Status Affected: None

Encoding: 

|      |      |      |      |
|------|------|------|------|
| 0000 | 0000 | 0000 | 0010 |
|------|------|------|------|

Description: Return from subroutine. The stack is popped and the top of the stack (TOS) is loaded into the program counter.

Words: 1

Cycles: 2

Q Cycle Activity:

| Q1         | Q2                 | Q3      | Q4  |
|------------|--------------------|---------|-----|
| Decode     | Read register PCL* | Execute | NOP |
| Forced NOP | NOP                | Execute | NOP |

\* Remember reading PCL causes PCLATH to be updated. This will be the high address of where the RETURN instruction is located.

**Example:** RETURN

After Interrupt  
PC = TOS

## RLCF Rotate Left f through Carry

Syntax: [ *label* ] RLCF f,d

Operands:  $0 \leq f \leq 255$   
 $d \in [0,1]$

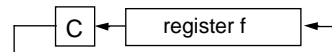
Operation:  $f\langle n \rangle \rightarrow d\langle n+1 \rangle$ ;  
 $f\langle 7 \rangle \rightarrow C$ ;  
 $C \rightarrow d\langle 0 \rangle$

Status Affected: C

Encoding: 

|      |      |      |      |
|------|------|------|------|
| 0001 | 101d | ffff | ffff |
|------|------|------|------|

Description: The contents of register 'f' are rotated one bit to the left through the Carry Flag. If 'd' is 0 the result is placed in WREG. If 'd' is 1 the result is stored back in register 'f'.



Words: 1

Cycles: 1

Q Cycle Activity:

| Q1     | Q2                | Q3      | Q4                   |
|--------|-------------------|---------|----------------------|
| Decode | Read register 'f' | Execute | Write to destination |

**Example:** RLCF REG, 0

Before Instruction

REG = 1110 0110  
C = 0

After Instruction

REG = 1110 0110  
WREG = 1100 1100  
C = 1

## RLNCF Rotate Left f (no carry)

Syntax: [label] RLNCF f,d

Operands:  $0 \leq f \leq 255$   
 $d \in [0,1]$

Operation:  $f\langle n \rangle \rightarrow d\langle n+1 \rangle$ ;  
 $f\langle 7 \rangle \rightarrow d\langle 0 \rangle$

Status Affected: None

Encoding: 

|      |      |      |      |
|------|------|------|------|
| 0010 | 001d | ffff | ffff |
|------|------|------|------|

Description: The contents of register 'f' are rotated one bit to the left. If 'd' is 0 the result is placed in WREG. If 'd' is 1 the result is stored back in register 'f'.



Words: 1

Cycles: 1

Q Cycle Activity:

| Q1     | Q2                | Q3      | Q4                   |
|--------|-------------------|---------|----------------------|
| Decode | Read register 'f' | Execute | Write to destination |

**Example:** RLNCF REG, 1

Before Instruction

C = 0  
 REG = 1110 1011

After Instruction

C =  
 REG = 1101 0111

## RRCF Rotate Right f through Carry

Syntax: [label] RRCF f,d

Operands:  $0 \leq f \leq 255$   
 $d \in [0,1]$

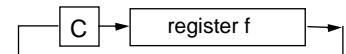
Operation:  $f\langle n \rangle \rightarrow d\langle n-1 \rangle$ ;  
 $f\langle 0 \rangle \rightarrow C$ ;  
 $C \rightarrow d\langle 7 \rangle$

Status Affected: C

Encoding: 

|      |      |      |      |
|------|------|------|------|
| 0001 | 100d | ffff | ffff |
|------|------|------|------|

Description: The contents of register 'f' are rotated one bit to the right through the Carry Flag. If 'd' is 0 the result is placed in WREG. If 'd' is 1 the result is placed back in register 'f'.



Words: 1

Cycles: 1

Q Cycle Activity:

| Q1     | Q2                | Q3      | Q4                   |
|--------|-------------------|---------|----------------------|
| Decode | Read register 'f' | Execute | Write to destination |

**Example:** RRCF REG1, 0

Before Instruction

REG1 = 1110 0110  
 C = 0

After Instruction

REG1 = 1110 0110  
 WREG = 0111 0011  
 C = 0

# PIC17C4X

## RRNCF Rotate Right f (no carry)

Syntax: [label] RRNCF f,d  
 Operands:  $0 \leq f \leq 255$   
 $d \in [0,1]$

Operation:  $f\langle n \rangle \rightarrow d\langle n-1 \rangle$ ;  
 $f\langle 0 \rangle \rightarrow d\langle 7 \rangle$

Status Affected: None

Encoding: 

|      |      |      |      |
|------|------|------|------|
| 0010 | 000d | ffff | ffff |
|------|------|------|------|

Description: The contents of register 'f' are rotated one bit to the right. If 'd' is 0 the result is placed in WREG. If 'd' is 1 the result is placed back in register 'f'.



Words: 1  
 Cycles: 1

Q Cycle Activity:

| Q1     | Q2                | Q3      | Q4                   |
|--------|-------------------|---------|----------------------|
| Decode | Read register 'f' | Execute | Write to destination |

**Example 1:** RRNCF REG, 1

Before Instruction  
 WREG = ?  
 REG = 1101 0111

After Instruction  
 WREG = 0  
 REG = 1110 1011

**Example 2:** RRNCF REG, 0

Before Instruction  
 WREG = ?  
 REG = 1101 0111

After Instruction  
 WREG = 1110 1011  
 REG = 1101 0111

## SETF Set f

Syntax: [label] SETF f,s  
 Operands:  $0 \leq f \leq 255$   
 $s \in [0,1]$

Operation:  $FFh \rightarrow f$ ;  
 $FFh \rightarrow d$

Status Affected: None

Encoding: 

|      |      |      |      |
|------|------|------|------|
| 0010 | 101s | ffff | ffff |
|------|------|------|------|

Description: If 's' is 0, both the data memory location 'f' and WREG are set to FFh. If 's' is 1 only the data memory location 'f' is set to FFh.

Words: 1  
 Cycles: 1

Q Cycle Activity:

| Q1     | Q2                | Q3      | Q4  |
|--------|-------------------|---------|---|
| Decode | Read register 'f' | Execute | Write register 'f' and other specified register |

**Example1:** SETF REG, 0

Before Instruction  
 REG = 0xDA  
 WREG = 0x05

After Instruction  
 REG = 0xFF  
 WREG = 0xFF

**Example2:** SETF REG, 1

Before Instruction  
 REG = 0xDA  
 WREG = 0x05

After Instruction  
 REG = 0xFF  
 WREG = 0x05

## SLEEP Enter SLEEP mode

Syntax: [label] SLEEP

Operands: None

Operation: 00h → WDT;  
0 → WDT postscaler;  
1 →  $\overline{TO}$ ;  
0 →  $\overline{PD}$

Status Affected:  $\overline{TO}$ ,  $\overline{PD}$

Encoding: 

|      |      |      |      |
|------|------|------|------|
| 0000 | 0000 | 0000 | 0011 |
|------|------|------|------|

Description: The power down status bit ( $\overline{PD}$ ) is cleared. The time-out status bit ( $\overline{TO}$ ) is set. Watchdog Timer and its prescaler are cleared.  
The processor is put into SLEEP mode with the oscillator stopped.

Words: 1

Cycles: 1

Q Cycle Activity:

| Q1     | Q2                      | Q3      | Q4  |
|--------|-------------------------|---------|-----|
| Decode | Read register<br>PCLATH | Execute | NOP |

**Example:** SLEEP

Before Instruction

$\overline{TO}$  = ?

$\overline{PD}$  = ?

After Instruction

$\overline{TO}$  = 1 †

$\overline{PD}$  = 0

† If WDT causes wake-up, this bit is cleared

## SUBLW Subtract WREG from Literal

Syntax: [label] SUBLW k

Operands:  $0 \leq k \leq 255$

Operation:  $k - (WREG) \rightarrow (WREG)$

Status Affected: OV, C, DC, Z

Encoding: 

|      |      |      |      |
|------|------|------|------|
| 1011 | 0010 | kkkk | kkkk |
|------|------|------|------|

Description: WREG is subtracted from the eight bit literal 'k'. The result is placed in WREG.

Words: 1

Cycles: 1

Q Cycle Activity:

| Q1     | Q2                  | Q3      | Q4               |
|--------|---------------------|---------|------------------|
| Decode | Read<br>literal 'k' | Execute | Write to<br>WREG |

**Example 1:** SUBLW 0x02

Before Instruction

WREG = 1

C = ?

After Instruction

WREG = 1

C = 1 ; result is positive

Z = 0

**Example 2:**

Before Instruction

WREG = 2

C = ?

After Instruction

WREG = 0

C = 1 ; result is zero

Z = 1

**Example 3:**

Before Instruction

WREG = 3

C = ?

After Instruction

WREG = FF ; (2's complement)

C = 0 ; result is negative

Z = 1

# PIC17C4X

## SUBWF Subtract WREG from f

Syntax: [label] SUBWF f,d  
 Operands:  $0 \leq f \leq 255$   
 $d \in [0,1]$   
 Operation:  $(f) - (W) \rightarrow (\text{dest})$   
 Status Affected: OV, C, DC, Z  
 Encoding: 

|      |      |      |      |
|------|------|------|------|
| 0000 | 010d | ffff | ffff |
|------|------|------|------|

  
 Description: Subtract WREG from register 'f' (2's complement method). If 'd' is 0 the result is stored in WREG. If 'd' is 1 the result is stored back in register 'f'.  
 Words: 1  
 Cycles: 1  
 Q Cycle Activity:

| Q1     | Q2                | Q3      | Q4                   |
|--------|-------------------|---------|----------------------|
| Decode | Read register 'f' | Execute | Write to destination |

**Example 1:** SUBWF REG1, 1

Before Instruction

REG1 = 3  
 WREG = 2  
 C = ?

After Instruction

REG1 = 1  
 WREG = 2  
 C = 1 ; result is positive  
 Z = 0

**Example 2:**

Before Instruction

REG1 = 2  
 WREG = 2  
 C = ?

After Instruction

REG1 = 0  
 WREG = 2  
 C = 1 ; result is zero  
 Z = 1

**Example 3:**

Before Instruction

REG1 = 1  
 WREG = 2  
 C = ?

After Instruction

REG1 = FF  
 WREG = 2  
 C = 0 ; result is negative  
 Z = 0

## SUBWFB Subtract WREG from f with Borrow

Syntax: [label] SUBWFB f,d  
 Operands:  $0 \leq f \leq 255$   
 $d \in [0,1]$   
 Operation:  $(f) - (W) - \bar{C} \rightarrow (\text{dest})$   
 Status Affected: OV, C, DC, Z  
 Encoding: 

|      |      |      |      |
|------|------|------|------|
| 0000 | 001d | ffff | ffff |
|------|------|------|------|

  
 Description: Subtract WREG and the carry flag (borrow) from register 'f' (2's complement method). If 'd' is 0 the result is stored in WREG. If 'd' is 1 the result is stored back in register 'f'.  
 Words: 1  
 Cycles: 1  
 Q Cycle Activity:

| Q1     | Q2                | Q3      | Q4                   |
|--------|-------------------|---------|----------------------|
| Decode | Read register 'f' | Execute | Write to destination |

**Example 1:** SUBWFB REG1, 1

Before Instruction

REG1 = 0x19 (0001 1001)  
 WREG = 0x0D (0000 1101)  
 C = 1

After Instruction

REG1 = 0x0C (0000 1011)  
 WREG = 0x0D (0000 1101)  
 C = 1 ; result is positive  
 Z = 0

**Example 2:** SUBWFB REG1, 0

Before Instruction

REG1 = 0x1B (0001 1011)  
 WREG = 0x1A (0001 1010)  
 C = 0

After Instruction

REG1 = 0x1B (0001 1011)  
 WREG = 0x00  
 C = 1 ; result is zero  
 Z = 1

**Example 3:** SUBWFB REG1, 1

Before Instruction

REG1 = 0x03 (0000 0011)  
 WREG = 0x0E (0000 1101)  
 C = 1

After Instruction

REG1 = 0xF5 (1111 0100) [2's comp]  
 WREG = 0x0E (0000 1101)  
 C = 0 ; result is negative  
 Z = 0



**SWAPF**      **Swap f**

---

Syntax:      [ *label* ] SWAPF f,d

Operands:     $0 \leq f \leq 255$   
 $d \in [0,1]$

Operation:     $f\langle 3:0 \rangle \rightarrow \text{dest}\langle 7:4 \rangle$ ;  
 $f\langle 7:4 \rangle \rightarrow \text{dest}\langle 3:0 \rangle$

Status Affected:    None

Encoding:      

|      |      |      |      |
|------|------|------|------|
| 0001 | 110d | ffff | ffff |
|------|------|------|------|

Description:    The upper and lower nibbles of register 'f' are exchanged. If 'd' is 0 the result is placed in WREG. If 'd' is 1 the result is placed in register 'f'.

Words:          1

Cycles:          1

Q Cycle Activity:

| Q1     | Q2                | Q3      | Q4                   |
|--------|-------------------|---------|----------------------|
| Decode | Read register 'f' | Execute | Write to destination |

**Example:**      SWAPF REG, 0

Before Instruction  
REG = 0x53

After Instruction  
REG = 0x35

**TABLRD**      **Table Read**

---

Syntax:      [ *label* ] TABLRD t,i,f

Operands:     $0 \leq f \leq 255$   
 $i \in [0,1]$   
 $t \in [0,1]$

Operation:    If  $t = 1$ ,  
TBLATH  $\rightarrow$  f;  
If  $t = 0$ ,  
TBLATL  $\rightarrow$  f;  
Prog Mem (TBLPTR)  $\rightarrow$  TBLAT;  
If  $i = 1$ ,  
TBLPTR + 1  $\rightarrow$  TBLPTR

Status Affected:    None

Encoding:      

|      |      |      |      |
|------|------|------|------|
| 1010 | 10ti | ffff | ffff |
|------|------|------|------|

Description:    1. A byte of the table latch (TBLAT) is moved to register file 'f'.  
If  $t = 0$ : the high byte is moved;  
If  $t = 1$ : the low byte is moved

2. Then the contents of the program memory location pointed to by the 16-bit Table Pointer (TBLPTR) is loaded into the 16-bit Table Latch (TBLAT).

3. If  $i = 1$ : TBLPTR is incremented;  
If  $i = 0$ : TBLPTR is not incremented

Words:          1

Cycles:          2 (3 cycle if f = PCL)

Q Cycle Activity:

| Q1     | Q2                             | Q3      | Q4                 |
|--------|--------------------------------|---------|--------------------|
| Decode | Read register TBLATH or TBLATL | Execute | Write register 'f' |

# PIC17C4X

## TABLRD Table Read

**Example1:** TABLRD 1, 1, REG ;

Before Instruction

```
REG          = 0x53
TBLATH       = 0xAA
TBLATL       = 0x55
TBLPTR       = 0xA356
MEMORY(TBLPTR) = 0x1234
```

After Instruction (table write completion)

```
REG          = 0xAA
TBLATH       = 0x12
TBLATL       = 0x34
TBLPTR       = 0xA357
MEMORY(TBLPTR) = 0x5678
```

**Example2:** TABLRD 0, 0, REG ;

Before Instruction

```
REG          = 0x53
TBLATH       = 0xAA
TBLATL       = 0x55
TBLPTR       = 0xA356
MEMORY(TBLPTR) = 0x1234
```

After Instruction (table write completion)

```
REG          = 0x55
TBLATH       = 0x12
TBLATL       = 0x34
TBLPTR       = 0xA356
MEMORY(TBLPTR) = 0x1234
```

## TABLWT Table Write

**Syntax:** [label] TABLWT t,i,f

**Operands:**  $0 \leq f \leq 255$   
 $i \in [0,1]$   
 $t \in [0,1]$

**Operation:** If  $t = 0$ ,  
 $f \rightarrow$  TBLATL;  
 If  $t = 1$ ,  
 $f \rightarrow$  TBLATH;  
 TBLAT  $\rightarrow$  Prog Mem (TBLPTR);  
 If  $i = 1$ ,  
 TBLPTR + 1  $\rightarrow$  TBLPTR

**Status Affected:** None

**Encoding:**

|      |      |      |      |
|------|------|------|------|
| 1010 | 11ti | ffff | ffff |
|------|------|------|------|

**Description:**

1. Load value in 'f' into 16-bit table latch (TBLAT)  
 If  $t = 0$ : load into low byte;  
 If  $t = 1$ : load into high byte
2. The contents of TBLAT is written to the program memory location pointed to by TBLPTR  
 If TBLPTR points to external program memory location, then the instruction takes two-cycle  
 If TBLPTR points to an internal EPROM location, then the instruction is terminated when an interrupt is received.

**Note:** The  $\overline{\text{MCLR}}/\text{VPP}$  pin must be at the programming voltage for successful programming of internal memory.  
 If  $\overline{\text{MCLR}}/\text{VPP} = \text{VDD}$  the programming sequence of internal memory will be executed, but will not be successful (although the internal memory location may be disturbed)

3. The TBLPTR can be automatically incremented  
 If  $i = 0$ ; TBLPTR is not incremented  
 If  $i = 1$ ; TBLPTR is incremented

**Words:** 1

**Cycles:** 2 (many if write is to on-chip EPROM program memory)

**Q Cycle Activity:**

| Q1     | Q2                | Q3      | Q4                              |
|--------|-------------------|---------|---------------------------------|
| Decode | Read register 'f' | Execute | Write register TBLATH or TBLATL |

## TABLWT Table Write

**Example 1:** TABLWT 0, 1, REG

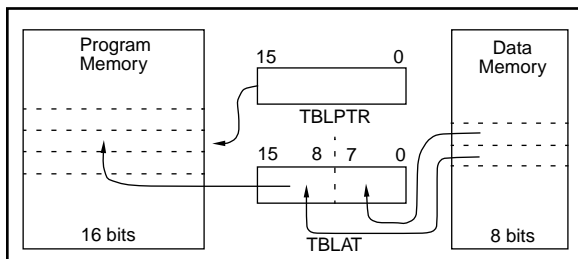
Before Instruction  
 REG = 0x53  
 TBLATH = 0xAA  
 TBLATL = 0x55  
 TBLPTR = 0xA356  
 MEMORY(TBLPTR) = 0xFFFF

After Instruction (table write completion)  
 REG = 0x53  
 TBLATH = 0x53  
 TBLATL = 0x55  
 TBLPTR = 0xA357  
 MEMORY(TBLPTR - 1) = 0x5355

**Example 2:** TABLWT 1, 0, REG

Before Instruction  
 REG = 0x53  
 TBLATH = 0xAA  
 TBLATL = 0x55  
 TBLPTR = 0xA356  
 MEMORY(TBLPTR) = 0xFFFF

After Instruction (table write completion)  
 REG = 0x53  
 TBLATH = 0xAA  
 TBLATL = 0x53  
 TBLPTR = 0xA356  
 MEMORY(TBLPTR) = 0xAA53



## TLRD Table Latch Read

**Syntax:** [label] TLRD t,f

**Operands:**  $0 \leq f \leq 255$   
 $t \in [0,1]$

**Operation:** If  $t = 0$ ,  
 TBLATL  $\rightarrow$  f;  
 If  $t = 1$ ,  
 TBLATH  $\rightarrow$  f

**Status Affected:** None

**Encoding:**

|      |      |      |      |
|------|------|------|------|
| 1010 | 00tx | ffff | ffff |
|------|------|------|------|

**Description:** Read data from 16-bit table latch (TBLAT) into file register 'f'. Table Latch is unaffected.

If  $t = 1$ ; high byte is read

If  $t = 0$ ; low byte is read

This instruction is used in conjunction with TABLWD to transfer data from program memory to data memory.

**Words:** 1

**Cycles:** 1

**Q Cycle Activity:**

| Q1     | Q2                             | Q3      | Q4                 |
|--------|--------------------------------|---------|--------------------|
| Decode | Read register TBLATH or TBLATL | Execute | Write register 'f' |

**Example:** TLRD t, RAM

Before Instruction

t = 0  
 RAM = ?  
 TBLAT = 0x00AF (TBLATH = 0x00)  
 (TBLATL = 0xAF)

After Instruction

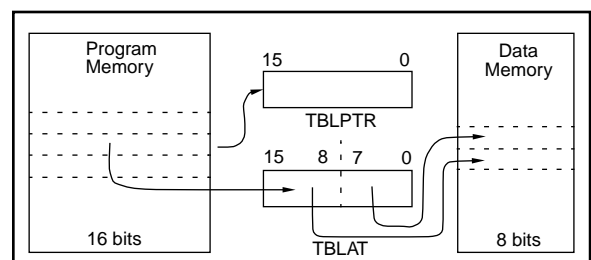
RAM = 0xAF  
 TBLAT = 0x00AF (TBLATH = 0x00)  
 (TBLATL = 0xAF)

Before Instruction

t = 1  
 RAM = ?  
 TBLAT = 0x00AF (TBLATH = 0x00)  
 (TBLATL = 0xAF)

After Instruction

RAM = 0x00  
 TBLAT = 0x00AF (TBLATH = 0x00)  
 (TBLATL = 0xAF)





**XORLW**                    **Exclusive OR Literal with WREG**

---

Syntax:                    [ *label* ] XORLW *k*

Operands:                 $0 \leq k \leq 255$

Operation:                (WREG) .XOR. *k* → (WREG)

Status Affected:        Z

Encoding:                

|      |      |      |      |
|------|------|------|------|
| 1011 | 0100 | kkkk | kkkk |
|------|------|------|------|

Description:             The contents of WREG are XOR'ed with the 8-bit literal '*k*'. The result is placed in WREG.

Words:                    1

Cycles:                    1

Q Cycle Activity:

| Q1     | Q2                           | Q3      | Q4               |
|--------|------------------------------|---------|------------------|
| Decode | Read<br>literal ' <i>k</i> ' | Execute | Write to<br>WREG |

Example:                    XORLW    0xAF

Before Instruction

WREG = 0xB5

After Instruction

WREG = 0x1A

**XORWF**                    **Exclusive OR WREG with f**

---

Syntax:                    [ *label* ] XORWF *f,d*

Operands:                 $0 \leq f \leq 255$   
 $d \in [0,1]$

Operation:                (WREG) .XOR. (*f*) → (*dest*)

Status Affected:        Z

Encoding:                

|      |      |      |      |
|------|------|------|------|
| 0000 | 110d | ffff | ffff |
|------|------|------|------|

Description:             Exclusive OR the contents of WREG with register '*f*'. If '*d*' is 0 the result is stored in WREG. If '*d*' is 1 the result is stored back in the register '*f*'.

Words:                    1

Cycles:                    1

Q Cycle Activity:

| Q1     | Q2                            | Q3      | Q4                      |
|--------|-------------------------------|---------|-------------------------|
| Decode | Read<br>register ' <i>f</i> ' | Execute | Write to<br>destination |

Example:                    XORWF    REG, 1

Before Instruction

REG = 0xAF

WREG = 0xB5

After Instruction

REG = 0x1A

WREG = 0xB5

# PIC17C4X

---

NOTES:

## 16.0 DEVELOPMENT SUPPORT

### 16.1 Development Tools

The PIC16/17 microcontrollers are supported with a full range of hardware and software development tools:

- PICMASTER/PICMASTER CE Real-Time In-Circuit Emulator
- ICEPIC Low-Cost PIC16C5X and PIC16CXXX In-Circuit Emulator
- PRO MATE<sup>®</sup> II Universal Programmer
- PICSTART<sup>®</sup> Plus Entry-Level Prototype Programmer
- PICDEM-1 Low-Cost Demonstration Board
- PICDEM-2 Low-Cost Demonstration Board
- PICDEM-3 Low-Cost Demonstration Board
- MPASM Assembler
- MPLAB-SIM Software Simulator
- MPLAB-C (C Compiler)
- Fuzzy logic development system (fuzzyTECH<sup>®</sup>-MP)

### 16.2 PICMASTER: High Performance Universal In-Circuit Emulator with MPLAB IDE

The PICMASTER Universal In-Circuit Emulator is intended to provide the product development engineer with a complete microcontroller design tool set for all microcontrollers in the PIC12C5XX, PIC14000, PIC16C5X, PIC16CXXX and PIC17CXX families. PICMASTER is supplied with the MPLAB<sup>™</sup> Integrated Development Environment (IDE), which allows editing, "make" and download, and source debugging from a single environment.

Interchangeable target probes allow the system to be easily reconfigured for emulation of different processors. The universal architecture of the PICMASTER allows expansion to support all new Microchip microcontrollers.

The PICMASTER Emulator System has been designed as a real-time emulation system with advanced features that are generally found on more expensive development tools. The PC compatible 386 (and higher) machine platform and Microsoft Windows<sup>®</sup> 3.x environment were chosen to best make these features available to you, the end user.

A CE compliant version of PICMASTER is available for European Union (EU) countries.

### 16.3 ICEPIC: Low-cost PIC16CXXX In-Circuit Emulator

ICEPIC is a low-cost in-circuit emulator solution for the Microchip PIC16C5X and PIC16CXXX families of 8-bit OTP microcontrollers.

ICEPIC is designed to operate on PC-compatible machines ranging from 286-AT<sup>®</sup> through Pentium<sup>™</sup> based machines under Windows 3.x environment. ICEPIC features real time, non-intrusive emulation.

### 16.4 PRO MATE II: Universal Programmer

The PRO MATE II Universal Programmer is a full-featured programmer capable of operating in stand-alone mode as well as PC-hosted mode.

The PRO MATE II has programmable VDD and VPP supplies which allows it to verify programmed memory at VDD min and VDD max for maximum reliability. It has an LCD display for displaying error messages, keys to enter commands and a modular detachable socket assembly to support various package types. In stand-alone mode the PRO MATE II can read, verify or program PIC16C5X, PIC16CXXX, PIC17CXX and PIC14000 devices. It can also set configuration and code-protect bits in this mode.

### 16.5 PICSTART Plus Entry Level Development System

The PICSTART programmer is an easy-to-use, low-cost prototype programmer. It connects to the PC via one of the COM (RS-232) ports. MPLAB Integrated Development Environment software makes using the programmer simple and efficient. PICSTART Plus is not recommended for production programming.

PICSTART Plus supports all PIC12C5XX, PIC14000, PIC16C5X, PIC16CXXX and PIC17CXX devices with up to 40 pins. Larger pin count devices such as the PIC16C923 and PIC16C924 may be supported with an adapter socket.

## 16.6 PICDEM-1 Low-Cost PIC16/17 Demonstration Board

The PICDEM-1 is a simple board which demonstrates the capabilities of several of Microchip's microcontrollers. The microcontrollers supported are: PIC16C5X (PIC16C54 to PIC16C58A), PIC16C61, PIC16C62X, PIC16C71, PIC16C8X, PIC17C42, PIC17C43 and PIC17C44. All necessary hardware and software is included to run basic demo programs. The users can program the sample microcontrollers provided with the PICDEM-1 board, on a PRO MATE II or PICSTART-16B programmer, and easily test firmware. The user can also connect the PICDEM-1 board to the PICMASTER emulator and download the firmware to the emulator for testing. Additional prototype area is available for the user to build some additional hardware and connect it to the microcontroller socket(s). Some of the features include an RS-232 interface, a potentiometer for simulated analog input, push-button switches and eight LEDs connected to PORTB.

## 16.7 PICDEM-2 Low-Cost PIC16CXX Demonstration Board

The PICDEM-2 is a simple demonstration board that supports the PIC16C62, PIC16C64, PIC16C65, PIC16C73 and PIC16C74 microcontrollers. All the necessary hardware and software is included to run the basic demonstration programs. The user can program the sample microcontrollers provided with the PICDEM-2 board, on a PRO MATE II programmer or PICSTART-16C, and easily test firmware. The PICMASTER emulator may also be used with the PICDEM-2 board to test firmware. Additional prototype area has been provided to the user for adding additional hardware and connecting it to the microcontroller socket(s). Some of the features include a RS-232 interface, push-button switches, a potentiometer for simulated analog input, a Serial EEPROM to demonstrate usage of the I<sup>2</sup>C bus and separate headers for connection to an LCD module and a keypad.

## 16.8 PICDEM-3 Low-Cost PIC16CXXX Demonstration Board

The PICDEM-3 is a simple demonstration board that supports the PIC16C923 and PIC16C924 in the PLCC package. It will also support future 44-pin PLCC microcontrollers with a LCD Module. All the necessary hardware and software is included to run the basic demonstration programs. The user can program the sample microcontrollers provided with the PICDEM-3 board, on a PRO MATE II programmer or PICSTART Plus with an adapter socket, and easily test firmware. The PICMASTER emulator may also be used with the PICDEM-3 board to test firmware. Additional prototype area has been provided to the user for adding hardware and connecting it to the microcontroller socket(s). Some of the features

include an RS-232 interface, push-button switches, a potentiometer for simulated analog input, a thermistor and separate headers for connection to an external LCD module and a keypad. Also provided on the PICDEM-3 board is an LCD panel, with 4 commons and 12 segments, that is capable of displaying time, temperature and day of the week. The PICDEM-3 provides an additional RS-232 interface and Windows 3.1 software for showing the demultiplexed LCD signals on a PC. A simple serial interface allows the user to construct a hardware demultiplexer for the LCD signals. PICDEM-3 will be available in the 3rd quarter of 1996.

## 16.9 MPLAB Integrated Development Environment Software

The MPLAB IDE Software brings an ease of software development previously unseen in the 8-bit microcontroller market. MPLAB is a windows based application which contains:

- A full featured editor
- Three operating modes
  - editor
  - emulator
  - simulator
- A project manager
- Customizable tool bar and key mapping
- A status bar with project information
- Extensive on-line help

MPLAB allows you to:

- Edit your source files (either assembly or 'C')
- One touch assemble (or compile) and download to PIC16/17 tools (automatically updates all project information)
- Debug using:
  - source files
  - absolute listing file
- Transfer data dynamically via DDE (soon to be replaced by OLE)
- Run up to four emulators on the same PC

The ability to use MPLAB with Microchip's simulator allows a consistent platform and the ability to easily switch from the low cost simulator to the full featured emulator with minimal retraining due to development tools.

## 16.10 Assembler (MPASM)

The MPASM Universal Macro Assembler is a PC-hosted symbolic assembler. It supports all microcontroller series including the PIC12C5XX, PIC14000, PIC16C5X, PIC16CXXX, and PIC17CXX families.

MPASM offers full featured Macro capabilities, conditional assembly, and several source and listing formats. It generates various object code formats to support Microchip's development tools as well as third party programmers.



MPASM allow full symbolic debugging from the Microchip Universal Emulator System (PICMASTER).

MPASM has the following features to assist in developing software for specific use applications.

- Provides translation of Assembler source code to object code for all Microchip microcontrollers.
- Macro assembly capability.
- Produces all the files (Object, Listing, Symbol, and special) required for symbolic debug with Microchip's emulator systems.
- Supports Hex (default), Decimal and Octal source and listing formats.

MPASM provides a rich directive language to support programming of the PIC16/17. Directives are helpful in making the development of your assemble source code shorter and more maintainable.

## **16.11 Software Simulator (MPLAB-SIM)**

The MPLAB-SIM Software Simulator allows code development in a PC host environment. It allows the user to simulate the PIC16/17 series microcontrollers on an instruction level. On any given instruction, the user may examine or modify any of the data areas or provide external stimulus to any of the pins. The input/output radix can be set by the user and the execution can be performed in; single step, execute until break, or in a trace mode.

MPLAB-SIM fully supports symbolic debugging using MPLAB-C and MPASM. The Software Simulator offers the low cost flexibility to develop and debug code outside of the laboratory environment making it an excellent multi-project software development tool.

## **16.12 C Compiler (MPLAB-C)**

The MPLAB-C Code Development System is a complete 'C' compiler and integrated development environment for Microchip's PIC16/17 family of microcontrollers. The compiler provides powerful integration capabilities and ease of use not found with other compilers.

For easier source level debugging, the compiler provides symbol information that is compatible with the MPLAB IDE memory display (PICMASTER emulator software versions 1.13 and later).

## **16.13 Fuzzy Logic Development System (fuzzyTECH-MP)**

*fuzzyTECH-MP* fuzzy logic development tool is available in two versions - a low cost introductory version, MP Explorer, for designers to gain a comprehensive working knowledge of fuzzy logic system design; and a full-featured version, *fuzzyTECH-MP*, edition for implementing more complex systems.

Both versions include Microchip's *fuzzyLAB™* demonstration board for hands-on experience with fuzzy logic systems implementation.

## **16.14 MP-DriveWay™ – Application Code Generator**

MP-DriveWay is an easy-to-use Windows-based Application Code Generator. With MP-DriveWay you can visually configure all the peripherals in a PIC16/17 device and, with a click of the mouse, generate all the initialization and many functional code modules in C language. The output is fully compatible with Microchip's MPLAB-C C compiler. The code produced is highly modular and allows easy integration of your own code. MP-DriveWay is intelligent enough to maintain your code through subsequent code generation.

## **16.15 SEEVAL® Evaluation and Programming System**

The SEEVAL SEEPROM Designer's Kit supports all Microchip 2-wire and 3-wire Serial EEPROMs. The kit includes everything necessary to read, write, erase or program special features of any Microchip SEEPROM product including Smart Serials™ and secure serials. The Total Endurance™ Disk is included to aid in trade-off analysis and reliability calculations. The total kit can significantly reduce time-to-market and result in an optimized system.

## **16.16 TrueGauge® Intelligent Battery Management**

The TrueGauge development tool supports system development with the MTA11200B TrueGauge Intelligent Battery Management IC. System design verification can be accomplished before hardware prototypes are built. User interface is graphically-oriented and measured data can be saved in a file for exporting to Microsoft Excel.

## **16.17 KEELOQ® Evaluation and Programming Tools**

KEELOQ evaluation and programming tools support Microchips HCS Secure Data Products. The HCS evaluation kit includes an LCD display to show changing codes, a decoder to decode transmissions, and a programming interface to program test transmitters.

**TABLE 16-1: DEVELOPMENT TOOLS FROM MICROCHIP**

| Product                             | ** MPLAB™ Integrated Development Environment | MPLAB™ C Compiler | MP-DriveWay Applications Code Generator | fuzzyTECH®-MP Explorer/Edition Fuzzy Logic Dev. Tool | *** PICMASTER®/PICMASTER-CE In-Circuit Emulator | ICEPIC Low-Cost In-Circuit Emulator | ****PRO MATE™ II Universal Microchip Programmer | PICSTART® Lite Ultra Low-Cost Dev. Kit | PICSTART® Plus Low-Cost Universal Dev. Kit |
|-------------------------------------|--|-------------------|---|--|---|-------------------------------------|---|--|--|
| PIC12C508, 509                      | SW007002                                     | SW006005          | —                                       | —  | EM167015/<br>EM167101                           | —                                   | DV007003  | —                                      | DV003001                                   |
| PIC14000                            | SW007002                                     | SW006005          | —                                       | —  | EM147001/<br>EM147101                           | —                                   | DV007003  | —                                      | DV003001                                   |
| PIC16C52, 54, 54A, 55, 56, 57, 58A  | SW007002                                     | SW006005          | SW006006                                | DV005001/<br>DV005002                                | EM167015/<br>EM167101                           | EM167201                            | DV007003  | DV162003                               | DV003001                                   |
| PIC16C554, 556, 558                 | SW007002                                     | SW006005          | —                                       | DV005001/<br>DV005002                                | EM167033/<br>EM167113                           | —                                   | DV007003  | —                                      | DV003001                                   |
| PIC16C61                            | SW007002                                     | SW006005          | SW006006                                | DV005001/<br>DV005002                                | EM167021/<br>N/A                                | EM167205                            | DV007003  | DV162003                               | DV003001                                   |
| PIC16C62, 62A, 64, 64A              | SW007002                                     | SW006005          | SW006006                                | DV005001/<br>DV005002                                | EM167025/<br>EM167103                           | EM167203                            | DV007003  | DV162002                               | DV003001                                   |
| PIC16C620, 621, 622                 | SW007002                                     | SW006005          | SW006006                                | DV005001/<br>DV005002                                | EM167023/<br>EM167109                           | EM167202                            | DV007003  | DV162003                               | DV003001                                   |
| PIC16C63, 65, 65A, 73, 73A, 74, 74A | SW007002                                     | SW006005          | SW006006                                | DV005001/<br>DV005002                                | EM167025/<br>EM167103                           | EM167204                            | DV007003  | DV162002                               | DV003001                                   |
| PIC16C642, 662*                     | SW007002                                     | SW006005          | —                                       | —  | EM167035/<br>EM167105                           | —                                   | DV007003  | DV162002                               | DV003001                                   |
| PIC16C71                            | SW007002                                     | SW006005          | SW006006                                | DV005001/<br>DV005002                                | EM167027/<br>EM167105                           | EM167205                            | DV007003  | DV162003                               | DV003001                                   |
| PIC16C710, 711                      | SW007002                                     | SW006005          | SW006006                                | DV005001/<br>DV005002                                | EM167027/<br>EM167105                           | —                                   | DV007003  | DV162003                               | DV003001                                   |
| PIC16C72                            | SW007002                                     | SW006005          | SW006006                                | —  | EM167025/<br>EM167103                           | —                                   | DV007003  | DV162002                               | DV003001                                   |
| PIC16F83                            | SW007002                                     | SW006005          | SW006006                                | DV005001/<br>DV005002                                | EM167029/<br>EM167107                           | —                                   | DV007003  | DV162003                               | DV003001                                   |
| PIC16C84                            | SW007002                                     | SW006005          | SW006006                                | DV005001/<br>DV005002                                | EM167029/<br>EM167107                           | EM167206                            | DV007003  | DV162003                               | DV003001                                   |
| PIC16F84                            | SW007002                                     | SW006005          | SW006006                                | DV005001/<br>DV005002                                | EM167029/<br>EM167107                           | —                                   | DV007003  | DV162003                               | DV003001                                   |
| PIC16C923, 924*                     | SW007002                                     | SW006005          | SW006006                                | DV005001/<br>DV005002                                | EM167031/<br>EM167111                           | —                                   | DV007003  | —                                      | DV003001                                   |
| PIC17C42, 42A, 43, 44               | SW007002                                     | SW006005          | SW006006                                | DV005001/<br>DV005002                                | EM177007/<br>EM177107                           | —                                   | DV007003  | —                                      | DV003001                                   |

\*All PICMASTER and PICMASTER-CE ordering part numbers above include PRO MATE II programmer  
 \*\*\*PRO MATE socket modules are ordered separately. See development systems ordering guide for specific ordering part numbers

\*\*Contact Microchip Technology for availability date  
 \*\*MPLAB Integrated Development Environment includes MPLAB-SIM Simulator and MPA-SM Assembler

| Product                               | TRUEGAUGE® Development Kit | SEEVAL® Designers Kit | Hopping Code Security Programmer Kit | Hopping Code Security Eval/Demo Kit |
|---------------------------------------|----------------------------|-----------------------|--------------------------------------|-------------------------------------|
| All 2 wire and 3 wire Serial EEPROM's | N/A                        | DV243001              | N/A                                  | N/A                                 |
| MTA11200B                             | DV114001                   | N/A                   | N/A                                  | N/A                                 |
| HCS200, 300, 301 *                    | N/A                        | N/A                   | PG306001                             | DM303001                            |

## 17.0 PIC17C42 ELECTRICAL CHARACTERISTICS

### Absolute Maximum Ratings †

|   |                     |
|---|---------------------|
| Ambient temperature under bias.....   | -55 to +125°C       |
| Storage temperature .....   | -65°C to +150°C     |
| Voltage on VDD with respect to VSS .....  | 0 to +7.5V          |
| Voltage on $\overline{\text{MCLR}}$ with respect to VSS (Note 2) .....                  | -0.6V to +14V       |
| Voltage on RA2 and RA3 with respect to VSS.....   | -0.6V to +12V       |
| Voltage on all other pins with respect to VSS .....                                     | -0.6V to VDD + 0.6V |
| Total power dissipation (Note 1).....   | 1.0W                |
| Maximum current out of VSS pin(s) - Total .....   | 250 mA              |
| Maximum current into VDD pin(s) - Total .....   | 200 mA              |
| Input clamp current, I <sub>IK</sub> (V <sub>I</sub> < 0 or V <sub>I</sub> > VDD) ..... | ±20 mA              |
| Output clamp current, I <sub>OK</sub> (V <sub>O</sub> < 0 or V <sub>O</sub> > VDD)..... | ±20 mA              |
| Maximum output current sunk by any I/O pin (except RA2 and RA3).....                    | 35 mA               |
| Maximum output current sunk by RA2 or RA3 pins .....                                    | 60 mA               |
| Maximum output current sourced by any I/O pin .....                                     | 20 mA               |
| Maximum current sunk by PORTA and PORTB (combined).....                                 | 150 mA              |
| Maximum current sourced by PORTA and PORTB (combined).....                              | 100 mA              |
| Maximum current sunk by PORTC, PORTD and PORTE (combined).....                          | 150 mA              |
| Maximum current sourced by PORTC, PORTD and PORTE (combined).....                       | 100 mA              |

**Note 1:** Power dissipation is calculated as follows:  $P_{dis} = V_{DD} \times \{I_{DD} - \sum I_{OH}\} + \sum \{(V_{DD} - V_{OH}) \times I_{OH}\} + \sum (V_{OL} \times I_{OL})$

**Note 2:** Voltage spikes below VSS at the  $\overline{\text{MCLR}}$  pin, inducing currents greater than 80 mA, may cause latch-up. Thus, a series resistor of 50-100Ω should be used when applying a "low" level to the  $\overline{\text{MCLR}}$  pin rather than pulling this pin directly to VSS.

† NOTICE: Stresses above those listed under "Absolute Maximum Ratings" may cause permanent damage to the device. This is a stress rating only and functional operation of the device at those or any other conditions above those indicated in the operation listings of this specification is not implied. Exposure to maximum rating conditions for extended periods may affect device reliability.

# PIC17C4X

Applicable Devices 42 R42 42A 43 R43 44

**TABLE 17-1: CROSS REFERENCE OF DEVICE SPECS FOR OSCILLATOR CONFIGURATIONS AND FREQUENCIES OF OPERATION (COMMERCIAL DEVICES)**

| OSC | PIC17C42-16  | PIC17C42-25  |
|-----|--|--|
| RC  | VDD: 4.5V to 5.5V<br>IDD: 6 mA max.<br>IPD: 5 $\mu$ A max. at 5.5V (WDT disabled)<br>Freq: 4 MHz max.                                | VDD: 4.5V to 5.5V<br>IDD: 6 mA max.<br>IPD: 5 $\mu$ A max. at 5.5V (WDT disabled)<br>Freq: 4 MHz max.                                |
| XT  | VDD: 4.5V to 5.5V<br>IDD: 24 mA max.<br>IPD: 5 $\mu$ A max. at 5.5V (WDT disabled)<br>Freq: 16 MHz max.                              | VDD: 4.5V to 5.5V<br>IDD: 38 mA max.<br>IPD: 5 $\mu$ A max. at 5.5V (WDT disabled)<br>Freq: 25 MHz max.                              |
| EC  | VDD: 4.5V to 5.5V<br>IDD: 24 mA max.<br>IPD: 5 $\mu$ A max. at 5.5V (WDT disabled)<br>Freq: 16 MHz max.                              | VDD: 4.5V to 5.5V<br>IDD: 38 mA max.<br>IPD: 5 $\mu$ A max. at 5.5V (WDT disabled)<br>Freq: 25 MHz max.                              |
| LF  | VDD: 4.5V to 5.5V<br>IDD: 150 $\mu$ A max. at 32 kHz (WDT enabled)<br>IPD: 5 $\mu$ A max. at 5.5V (WDT disabled)<br>Freq: 2 MHz max. | VDD: 4.5V to 5.5V<br>IDD: 150 $\mu$ A max. at 32 kHz (WDT enabled)<br>IPD: 5 $\mu$ A max. at 5.5V (WDT disabled)<br>Freq: 2 MHz max. |

**17.1 DC CHARACTERISTICS: PIC17C42-16 (Commercial, Industrial)  
PIC17C42-25 (Commercial, Industrial)**

| DC CHARACTERISTICS |      | Standard Operating Conditions (unless otherwise stated)                  |        |      |      |       |   |
|--------------------|------|--|--------|------|------|-------|---|
|                    |      | Operating temperature  |        |      |      |       |   |
|                    |      | -40°C ≤ TA ≤ +85°C for industrial and<br>0°C ≤ TA ≤ +70°C for commercial |        |      |      |       |   |
| Parameter No.      | Sym  | Characteristic   | Min    | Typ† | Max  | Units | Conditions  |
| D001               | VDD  | Supply Voltage   | 4.5    | –    | 5.5  | V     |   |
| D002               | VDR  | RAM Data Retention Voltage (Note 1)                                      | 1.5 *  | –    | –    | V     | Device in SLEEP mode                                |
| D003               | VPOR | VDD start voltage to ensure internal Power-on Reset signal               | –      | VSS  | –    | V     | See section on Power-on Reset for details           |
| D004               | SVDD | VDD rise rate to ensure internal Power-on Reset signal                   | 0.060* | –    | –    | mV/ms | See section on Power-on Reset for details           |
| D010               | IDD  | Supply Current (Note 2)  | –      | 3    | 6    | mA    | FOSC = 4 MHz (Note 4)                               |
| D011               |      |  | –      | 6    | 12 * | mA    | FOSC = 8 MHz  |
| D012               |      |  | –      | 11   | 24 * | mA    | FOSC = 16 MHz                                       |
| D013               |      |  | –      | 19   | 38   | mA    | FOSC = 25 MHz                                       |
| D014               |      |  | –      | 95   | 150  | μA    | FOSC = 32 kHz<br>WDT enabled (EC osc configuration) |
| D020               | IPD  | Power-down Current (Note 3)  | –      | 10   | 40   | μA    | VDD = 5.5V, WDT enabled                             |
| D021               |      |  | –      | < 1  | 5    | μA    | VDD = 5.5V, WDT disabled                            |

\* These parameters are characterized but not tested.

† Data in "Typ" column is at 5V, 25°C unless otherwise stated. These parameters are for design guidance only and are not tested.

Note 1: This is the limit to which VDD can be lowered in SLEEP mode without losing RAM data.

2: The supply current is mainly a function of the operating voltage and frequency. Other factors such as I/O pin loading and switching rate, oscillator type, internal code execution pattern, and temperature also have an impact on the current consumption.

The test conditions for all IDD measurements in active operation mode are:

OSC1 = external square wave, from rail to rail; all I/O pins tristated, pulled to VDD or VSS, T0CKI = VDD, MCLR = VDD; WDT enabled/disabled as specified.

Current consumed from the oscillator and I/O's driving external capacitive or resistive loads need to be considered.

For the RC oscillator, the current through the external pull-up resistor (R) can be estimated as:  $V_{DD} / (2 \cdot R)$ .

For capacitive loads, The current can be estimated (for an individual I/O pin) as  $(C_L \cdot V_{DD}) \cdot f$

$C_L$  = Total capacitive load on the I/O pin;  $f$  = average frequency on the I/O pin switches.

The capacitive currents are most significant when the device is configured for external execution (includes extended microcontroller mode).

3: The power-down current in SLEEP mode does not depend on the oscillator type. Power-down current is measured with the part in SLEEP mode, all I/O pins in hi-impedance state and tied to VDD or VSS.

4: For RC osc configuration, current through Rext is not included. The current through the resistor can be estimated by the formula  $I_R = V_{DD}/2R_{ext}$  (mA) with Rext in kOhm.

# PIC17C4X

Applicable Devices 42 R42 42A 43 R43 44

## 17.2 DC CHARACTERISTICS: PIC17C42-16 (Commercial, Industrial) PIC17C42-25 (Commercial, Industrial)

| Standard Operating Conditions (unless otherwise stated)   |       |   |          |        |        |       |   |
|---|-------|---|----------|--------|--------|-------|---|
| DC CHARACTERISTICS  |       |   |          |        |        |       |   |
| Operating temperature<br>-40°C ≤ TA ≤ +85°C for industrial and<br>0°C ≤ TA ≤ +70°C for commercial |       |   |          |        |        |       |   |
| Operating voltage VDD range as described in Section 17.1  |       |   |          |        |        |       |   |
| Parameter No.   | Sym   | Characteristic  | Min      | Typ†   | Max    | Units | Conditions  |
| D030  | VIL   | <b>Input Low Voltage</b><br>I/O ports<br>with TTL buffer                    | VSS      | –      | 0.8    | V     | Note1   |
| D031  |       | with Schmitt Trigger buffer   | VSS      | –      | 0.2VDD | V     |   |
| D032  |       | MCLR, OSC1 (in EC and RC mode)  | VSS      | –      | 0.2VDD | V     |   |
| D033  |       | OSC1 (in XT, and LF mode)   | –        | 0.5VDD | –      | V     |   |
| D040  | VIH   | <b>Input High Voltage</b><br>I/O ports<br>with TTL buffer                   | 2.0      | –      | VDD    | V     | Note1   |
| D041  |       | with Schmitt Trigger buffer   | 0.8VDD   | –      | VDD    | V     |   |
| D042  |       | MCLR  | 0.8VDD   | –      | VDD    | V     |   |
| D043  |       | OSC1 (XT, and LF mode)  | –        | 0.5VDD | –      | V     |   |
| D050  | VHYS  | Hysteresis of Schmitt Trigger inputs  | 0.15VDD* | –      | –      | V     |   |
| D060  | IIL   | <b>Input Leakage Current</b><br>(Notes 2, 3)<br>I/O ports (except RA2, RA3) | –        | –      | ±1     | µA    | VSS ≤ VPIN ≤ VDD,<br>I/O Pin at hi-impedance<br>PORTB weak pull-ups dis-<br>abled |
| D061  |       | MCLR  | –        | –      | ±2     | µA    | VPIN = VSS or VPIN = VDD  |
| D062  |       | RA2, RA3  | –        | –      | ±2     | µA    | VSS ≤ VRA2, VRA3 ≤ 12V  |
| D063  |       | OSC1, TEST  | –        | –      | ±1     | µA    | VSS ≤ VPIN ≤ VDD  |
| D064  |       | MCLR  | –        | –      | 10     | µA    | VMCLR = VPP = 12V<br>(when not programming)                                       |
| D070  | IPURB | PORTB weak pull-up current  | 60       | 200    | 400    | µA    | VPIN = VSS, RBPU = 0  |

\* These parameters are characterized but not tested.

† Data in "Typ" column is at 5V, 25°C unless otherwise stated. These parameters are for design guidance only and are not tested.

‡ These parameters are for design guidance only and are not tested, nor characterized.

†† Design guidance to attain the AC timing specifications. These loads are not tested.

Note 1: In RC oscillator configuration, the OSC1 pin is a Schmitt Trigger input. It is not recommended that the PIC17CXX devices be driven with external clock in RC mode.

- The leakage current on the MCLR pin is strongly dependent on the applied voltage level. The specified levels represent normal operating conditions. Higher leakage current may be measured at different input voltages.
- Negative current is defined as coming out of the pin.
- These specifications are for the programming of the on-chip program memory EPROM through the use of the table write instructions. The complete programming specifications can be found in: PIC17CXX Programming Specifications (Literature number DS30139).
- The MCLR/Vpp pin may be kept in this range at times other than programming, but this is not recommended.
- For TTL buffers, the better of the two specifications may be used.

# PIC17C4X

Applicable Devices 42 R42 42A 43 R43 44

| Standard Operating Conditions (unless otherwise stated)   |       |  |               |      |               |        |   |
|---|-------|--|---------------|------|---------------|--------|---|
| DC CHARACTERISTICS  |       |  |               |      |               |        |   |
| Operating temperature<br>-40°C ≤ TA ≤ +85°C for industrial and<br>0°C ≤ TA ≤ +70°C for commercial |       |  |               |      |               |        |   |
| Operating voltage VDD range as described in Section 17.1  |       |  |               |      |               |        |   |
| Parameter No.   | Sym   | Characteristic   | Min           | Typ† | Max           | Units  | Conditions  |
| D080<br>D081  | VoL   | <b>Output Low Voltage</b><br>I/O ports (except RA2 and RA3)<br>with TTL buffer           | –             | –    | 0.1VDD<br>0.4 | V<br>V | IOL = 4 mA<br>IOL = 6 mA, VDD = 4.5V<br>Note 6  |
| D082<br>D083  |       | RA2 and RA3<br>OSC2/CLKOUT<br>(RC and EC osc modes)                                      | –             | –    | 3.0<br>0.4    | V<br>V | IOL = 60.0 mA, VDD = 5.5V<br>IOL = 2 mA, VDD = 4.5V   |
| D090<br>D091  | VoH   | <b>Output High Voltage (Note 3)</b><br>I/O ports (except RA2 and RA3)<br>with TTL buffer | 0.9VDD<br>2.4 | –    | –             | V<br>V | IOH = -2 mA<br>IOH = -6.0 mA, VDD = 4.5V<br>Note 6  |
| D092<br>D093  |       | RA2 and RA3<br>OSC2/CLKOUT<br>(RC and EC osc modes)                                      | –             | –    | 12<br>2.4     | V<br>V | Pulled-up to externally applied<br>voltage<br>IOH = -5 mA, VDD = 4.5V                                       |
| D100  | Cosc2 | <b>Capacitive Loading Specs on<br/>Output Pins</b><br>OSC2 pin                           | –             | –    | 25 ††         | pF     | In EC or RC osc modes when<br>OSC2 pin is outputting<br>CLKOUT.<br>External clock is used to drive<br>OSC1. |
| D101  | CIO   | All I/O pins and OSC2<br>(in RC mode)  | –             | –    | 50 ††         | pF     |   |
| D102  | CAD   | System Interface Bus<br>(PORTC, PORTD and PORTE)   | –             | –    | 100 ††        | pF     | In Microprocessor or<br>Extended Microcontroller<br>mode  |

\* These parameters are characterized but not tested.

† Data in "Typ" column is at 5V, 25°C unless otherwise stated. These parameters are for design guidance only and are not tested.

‡ These parameters are for design guidance only and are not tested, nor characterized.

†† Design guidance to attain the AC timing specifications. These loads are not tested.

Note 1: In RC oscillator configuration, the OSC1 pin is a Schmitt Trigger input. It is not recommended that the PIC17CXX devices be driven with external clock in RC mode.

2: The leakage current on the MCLR pin is strongly dependent on the applied voltage level. The specified levels represent normal operating conditions. Higher leakage current may be measured at different input voltages.

3: Negative current is defined as coming out of the pin.

4: These specifications are for the programming of the on-chip program memory EPROM through the use of the table write instructions. The complete programming specifications can be found in: PIC17CXX Programming Specifications (Literature number DS30139).

5: The MCLR/Vpp pin may be kept in this range at times other than programming, but this is not recommended.

6: For TTL buffers, the better of the two specifications may be used.

# PIC17C4X

Applicable Devices 42 R42 42A 43 R43 44

| DC CHARACTERISTICS |                   | Standard Operating Conditions (unless otherwise stated)              |       |      |       |       |   |
|--------------------|-------------------|--|-------|------|-------|-------|---|
|                    |                   | Operating temperature<br>-40°C ≤ T <sub>A</sub> ≤ +40°C              |       |      |       |       |   |
|                    |                   | Operating voltage V <sub>DD</sub> range as described in Section 17.1 |       |      |       |       |   |
| Parameter No.      | Sym               | Characteristic   | Min   | Typ† | Max   | Units | Conditions  |
|                    |                   | <b>Internal Program Memory Programming Specs (Note 4)</b>            |       |      |       |       |   |
| D110               | V <sub>PP</sub>   | Voltage on $\overline{\text{MCLR}}/\text{VPP}$ pin                   | 12.75 | –    | 13.25 | V     | Note 5  |
| D111               | V <sub>DDP</sub>  | Supply voltage during programming                                    | 4.75  | 5.0  | 5.25  | V     |   |
| D112               | I <sub>PP</sub>   | Current into $\overline{\text{MCLR}}/\text{VPP}$ pin                 | –     | 25 ‡ | 50 ‡  | mA    |   |
| D113               | I <sub>DDP</sub>  | Supply current during programming                                    | –     | –    | 30 ‡  | mA    |   |
| D114               | T <sub>PROG</sub> | Programming pulse width  | 10    | 100  | 1000  | μs    | Terminated via internal/external interrupt or a reset |

\* These parameters are characterized but not tested.

† Data in "Typ" column is at 5V, 25°C unless otherwise stated. These parameters are for design guidance only and are not tested.

‡ These parameters are for design guidance only and are not tested, nor characterized.

- Note 1: In RC oscillator configuration, the OSC1/CLKIN pin is a Schmitt Trigger input. It is not recommended that the PIC17CXX devices be driven with external clock in RC mode.
- The leakage current on the  $\overline{\text{MCLR}}$  pin is strongly dependent on the applied voltage level. The specified levels represent normal operating conditions. Higher leakage current may be measured at different input voltages.
  - Negative current is defined as coming out of the pin.
  - These specifications are for the programming of the on-chip program memory EPROM through the use of the table write instructions. The complete programming specifications can be found in: PIC17CXX Programming Specifications (Literature number DS30139).
  - The  $\overline{\text{MCLR}}/\text{VPP}$  pin may be kept in this range at times other than programming, but is not recommended.
  - For TTL buffers, the better of the two specifications may be used.

**Note:** When using the Table Write for internal programming, the device temperature must be less than 40°C.



## 17.3 Timing Parameter Symbology

The timing parameter symbols have been created using one of the following formats:

1. TppS2ppS
2. TppS

|          |           |   |      |
|----------|-----------|---|------|
| <b>T</b> |           |   |      |
| F        | Frequency | T | Time |

Lowercase symbols (pp) and their meanings:

|           |                       |      |                                    |
|-----------|-----------------------|------|------------------------------------|
| <b>pp</b> |                       |      |                                    |
| ad        | Address/Data          | ost  | Oscillator Start-up Timer          |
| al        | ALE                   | pwrt | Power-up Timer                     |
| cc        | Capture1 and Capture2 | rb   | PORTB                              |
| ck        | CLKOUT or clock       | rd   | $\overline{RD}$                    |
| dt        | Data in               | rw   | $\overline{RD}$ or $\overline{WR}$ |
| in        | INT pin               | t0   | T0CKI                              |
| io        | I/O port              | t123 | TCLK12 and TCLK3                   |
| mc        | $\overline{MCLR}$     | wdt  | Watchdog Timer                     |
| oe        | $\overline{OE}$       | wr   | $\overline{WR}$                    |
| os        | OSC1                  |      |                                    |

Uppercase symbols and their meanings:

|          |                        |   |              |
|----------|------------------------|---|--------------|
| <b>S</b> |                        |   |              |
| D        | Driven                 | L | Low          |
| E        | Edge                   | P | Period       |
| F        | Fall                   | R | Rise         |
| H        | High                   | V | Valid        |
| I        | Invalid (Hi-impedance) | Z | Hi-impedance |

# PIC17C4X

Applicable Devices 42 R42 42A 43 R43 44

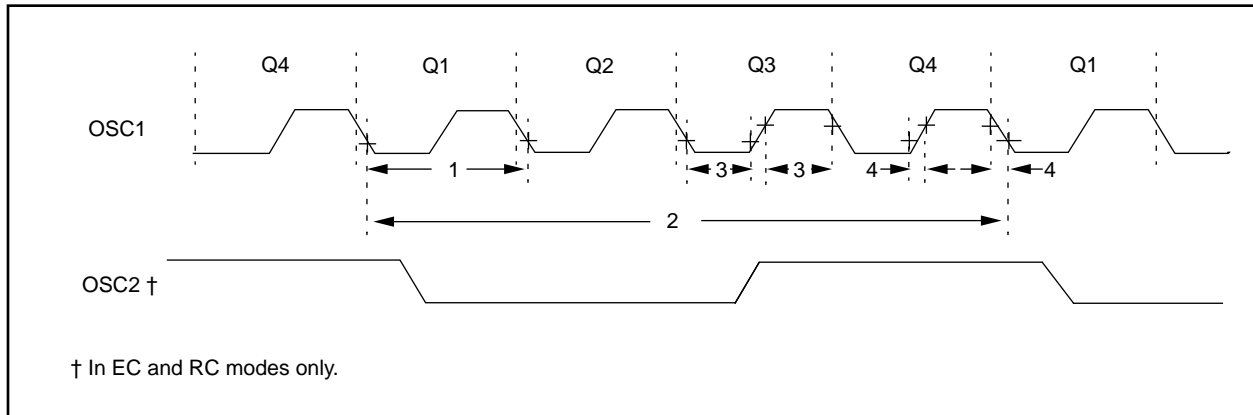
**FIGURE 17-1: PARAMETER MEASUREMENT INFORMATION**

All timings are measure between high and low measurement points as indicated in the figures below.



## 17.4 Timing Diagrams and Specifications

**FIGURE 17-2: EXTERNAL CLOCK TIMING**



**TABLE 17-2: EXTERNAL CLOCK TIMING REQUIREMENTS**

| Parameter No. | Sym        | Characteristic                           | Min  | Typ†   | Max   | Units | Conditions                |
|---------------|------------|--|------|--------|-------|-------|---------------------------|
|               | Fosc       | <b>External CLKIN Frequency (Note 1)</b> | DC   | —      | 16    | MHz   | EC osc mode - PIC17C42-16 |
|               |            |  | DC   | —      | 25    | MHz   | - PIC17C42-25             |
|               |            | <b>Oscillator Frequency (Note 1)</b>     | DC   | —      | 4     | MHz   | RC osc mode               |
|               |            |  | 1    | —      | 16    | MHz   | XT osc mode - PIC17C42-16 |
|               |            |  | 1    | —      | 25    | MHz   | - PIC17C42-25             |
|               |            |  | DC   | —      | 2     | MHz   | LF osc mode               |
| 1             | Tosc       | <b>External CLKIN Period (Note 1)</b>    | 62.5 | —      | —     | ns    | EC osc mode - PIC17C42-16 |
|               |            |  | 40   | —      | —     | ns    | - PIC17C42-25             |
|               |            | <b>Oscillator Period (Note 1)</b>        | 250  | —      | —     | ns    | RC osc mode               |
|               |            |  | 62.5 | —      | 1,000 | ns    | XT osc mode - PIC17C42-16 |
|               |            |  | 40   | —      | 1,000 | ns    | - PIC17C42-25             |
|               |            |  | 500  | —      | —     | ns    | LF osc mode               |
| 2             | TCY        | <b>Instruction Cycle Time (Note 1)</b>   | 160  | 4/Fosc | DC    | ns    |                           |
| 3             | TosL, TosH | <b>Clock in (OSC1) High or Low Time</b>  | 10 ‡ | —      | —     | ns    | EC oscillator             |
| 4             | TosR, TosF | <b>Clock in (OSC1) Rise or Fall Time</b> | —    | —      | 5 ‡   | ns    | EC oscillator             |

† Data in "Typ" column is at 5V, 25°C unless otherwise stated. These parameters are for design guidance only and are not tested.

‡ These parameters are for design guidance only and are not tested, nor characterized.

Note 1: Instruction cycle period (TCY) equals four times the input oscillator time-base period. All specified values are based on characterization data for that particular oscillator type under standard operating conditions with the device executing code. Exceeding these specified limits may result in unstable oscillator operation and/or higher than expected current consumption. All devices are tested to operate at "min." values with an external clock applied to the OSC1 pin. When an external clock input is used, the "Max." cycle time limit is "DC" (no clock) for all devices.

# PIC17C4X

Applicable Devices 42 R42 42A 43 R43 44

FIGURE 17-3: CLKOUT AND I/O TIMING



TABLE 17-3: CLKOUT AND I/O TIMING REQUIREMENTS

| Parameter No. | Sym      | Characteristic                      | Min            | Typ† | Max          | Units | Conditions |
|---------------|----------|-------------------------------------|----------------|------|--------------|-------|------------|
| 10            | TosH2ckL | OSC1↑ to CLKOUT↓                    | —              | 15 ‡ | 30 ‡         | ns    | Note 1     |
| 11            | TosH2ckH | OSC1↑ to CLKOUT↑                    | —              | 15 ‡ | 30 ‡         | ns    | Note 1     |
| 12            | TckR     | CLKOUT rise time                    | —              | 5 ‡  | 15 ‡         | ns    | Note 1     |
| 13            | TckF     | CLKOUT fall time                    | —              | 5 ‡  | 15 ‡         | ns    | Note 1     |
| 14            | TckH2ioV | CLKOUT↑ to Port out valid           | —              | —    | 0.5Tcy + 20‡ | ns    | Note 1     |
| 15            | TioV2ckH | Port in valid before CLKOUT↑        | 0.25Tcy + 25 ‡ | —    | —            | ns    | Note 1     |
| 16            | TckH2iol | Port in hold after CLKOUT↑          | 0 ‡            | —    | —            | ns    | Note 1     |
| 17            | TosH2ioV | OSC1↑ (Q1 cycle) to Port out valid  | —              | —    | 100 ‡        | ns    |            |
| 20            | TioR     | Port output rise time               | —              | 10 ‡ | 35 ‡         | ns    |            |
| 21            | TioF     | Port output fall time               | —              | 10 ‡ | 35 ‡         | ns    |            |
| 22            | TinHL    | INT pin high or low time            | 25 *           | —    | —            | ns    |            |
| 23            | TrbHL    | RB7:RB0 change INT high or low time | 25 *           | —    | —            | ns    |            |

\* These parameters are characterized but not tested.

† Data in "Typ" column is at 5V, 25°C unless otherwise stated. These parameters are for design guidance only and are not tested.

‡ These parameters are for design guidance only and are not tested, nor characterized.

Note 1: Measurements are taken in EC Mode where OSC2 output = 4 x TOSC = Tcy.

**FIGURE 17-4: RESET, WATCHDOG TIMER, OSCILLATOR START-UP TIMER AND POWER-UP TIMER TIMING**



**TABLE 17-4: RESET, WATCHDOG TIMER, OSCILLATOR START-UP TIMER AND POWER-UP TIMER REQUIREMENTS**

| Parameter No. | Sym      | Characteristic                                  | Min   | Typ†                    | Max   | Units | Conditions                     |
|---------------|----------|---|-------|-------------------------|-------|-------|--------------------------------|
| 30            | Tmcl     | MCLR Pulse Width (low)                          | 100 * | —                       | —     | ns    |                                |
| 31            | Twdt     | Watchdog Timer Time-out Period (Prescale = 1)   | 5 *   | 12                      | 25 *  | ms    |                                |
| 32            | Tost     | Oscillation Start-up Timer Period               |       | 1024 T <sub>osc</sub> § |       | ms    | T <sub>osc</sub> = OSC1 period |
| 33            | Tpwrt    | Power-up Timer Period                           | 40 *  | 96                      | 200 * | ms    |                                |
| 35            | Tmcl2adl | MCLR to System Interface bus (AD15:AD0) invalid | —     | —                       | 100 * | ns    |                                |

\* These parameters are characterized but not tested.

† Data in "Typ" column is at 5V, 25°C unless otherwise stated. These parameters are for design guidance only and are not tested.

‡ These parameters are for design guidance only and are not tested, nor characterized.

§ This specification ensured by design.

# PIC17C4X

Applicable Devices 42 R42 42A 43 R43 44

**FIGURE 17-5: TIMER0 CLOCK TIMINGS**



**TABLE 17-5: TIMER0 CLOCK REQUIREMENTS**

| Parameter No. | Sym  | Characteristic         | Min                       | Typ†               | Max | Units | Conditions                             |
|---------------|------|------------------------|---------------------------|--------------------|-----|-------|--|
| 40            | Tt0H | T0CKI High Pulse Width | No Prescaler              | $0.5T_{CY} + 20$ § | —   | —     | ns                                     |
|               |      |                        | With Prescaler            | $10^*$             | —   | —     | ns                                     |
| 41            | Tt0L | T0CKI Low Pulse Width  | No Prescaler              | $0.5T_{CY} + 20$ § | —   | —     | ns                                     |
|               |      |                        | With Prescaler            | $10^*$             | —   | —     | ns                                     |
| 42            | Tt0P | T0CKI Period           | $\frac{T_{CY} + 40}{N}$ § | —                  | —   | ns    | N = prescale value (1, 2, 4, ..., 256) |

\* These parameters are characterized but not tested.

† Data in "Typ" column is at 5V, 25°C unless otherwise stated. These parameters are for design guidance only and are not tested.

§ This specification ensured by design.

**FIGURE 17-6: TIMER1, TIMER2, AND TIMER3 CLOCK TIMINGS**



**TABLE 17-6: TIMER1, TIMER2, AND TIMER3 CLOCK REQUIREMENTS**

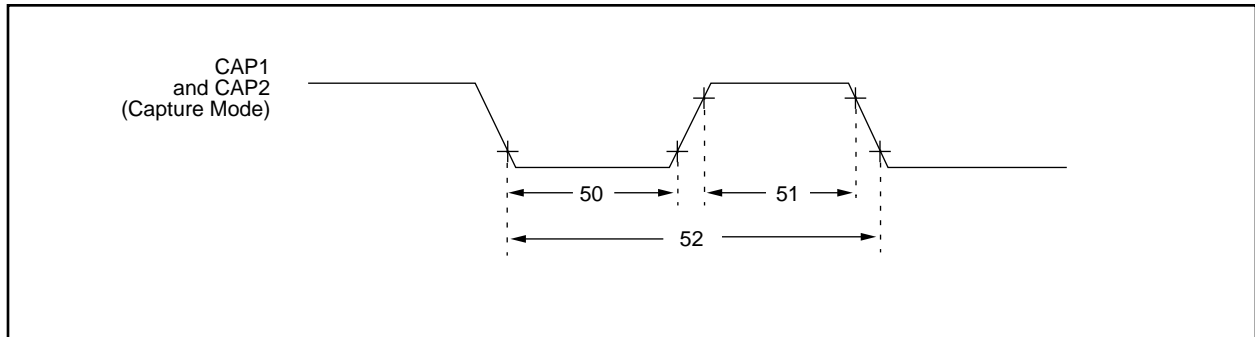
| Parameter No. | Sym       | Characteristic   | Min                       | Typ† | Max           | Units | Conditions                      |
|---------------|-----------|--|---------------------------|------|---------------|-------|---------------------------------|
| 45            | Tt123H    | TCLK12 and TCLK3 high time                                 | $0.5 T_{CY} + 20$ §       | —    | —             | ns    |                                 |
| 46            | Tt123L    | TCLK12 and TCLK3 low time                                  | $0.5 T_{CY} + 20$ §       | —    | —             | ns    |                                 |
| 47            | Tt123P    | TCLK12 and TCLK3 input period                              | $\frac{T_{CY} + 40}{N}$ § | —    | —             | ns    | N = prescale value (1, 2, 4, 8) |
| 48            | TckE2tmrl | Delay from selected External Clock Edge to Timer increment | $2T_{osc}$ §              | —    | $6 T_{osc}$ § | —     |                                 |

\* These parameters are characterized but not tested.

† Data in "Typ" column is at 5V, 25°C unless otherwise stated. These parameters are for design guidance only and are not tested.

§ This specification ensured by design.

**FIGURE 17-7: CAPTURE TIMINGS**



**TABLE 17-7: CAPTURE REQUIREMENTS**

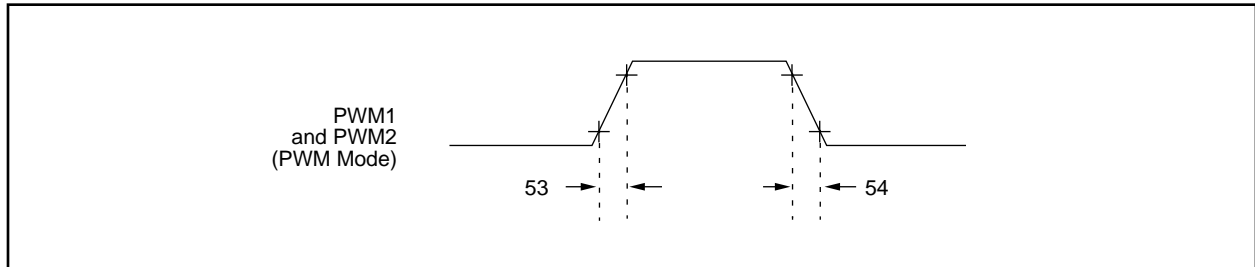
| Parameter No. | Sym  | Characteristic                        | Min                    | Typ† | Max | Units | Conditions                   |
|---------------|------|---------------------------------------|------------------------|------|-----|-------|------------------------------|
| 50            | TccL | Capture1 and Capture2 input low time  | 10 *                   | —    | —   | ns    |                              |
| 51            | TccH | Capture1 and Capture2 input high time | 10 *                   | —    | —   | ns    |                              |
| 52            | TccP | Capture1 and Capture2 input period    | $\frac{2 T_{CY}}{N}$ § | —    | —   | ns    | N = prescale value (4 or 16) |

\* These parameters are characterized but not tested.

† Data in "Typ" column is at 5V, 25°C unless otherwise stated. These parameters are for design guidance only and are not tested.

§ This specification ensured by design.

**FIGURE 17-8: PWM TIMINGS**



**TABLE 17-8: PWM REQUIREMENTS**

| Parameter No. | Sym  | Characteristic                 | Min | Typ† | Max   | Units | Conditions |
|---------------|------|--------------------------------|-----|------|-------|-------|------------|
| 53            | TccR | PWM1 and PWM2 output rise time | —   | 10 * | 35 *§ | ns    |            |
| 54            | TccF | PWM1 and PWM2 output fall time | —   | 10 * | 35 *§ | ns    |            |

\* These parameters are characterized but not tested.

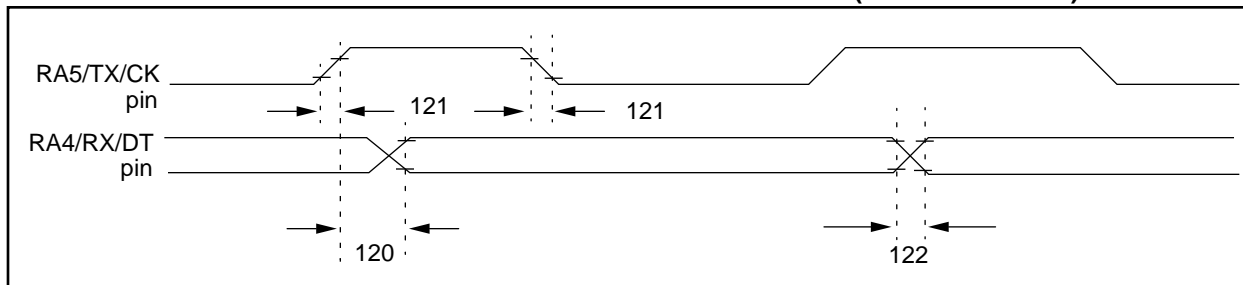
† Data in "Typ" column is at 5V, 25°C unless otherwise stated. These parameters are for design guidance only and are not tested.

§ This specification ensured by design.

# PIC17C4X

Applicable Devices 42 R42 42A 43 R43 44

**FIGURE 17-9: USART MODULE: SYNCHRONOUS TRANSMISSION (MASTER/SLAVE) TIMING**



**TABLE 17-9: SERIAL PORT SYNCHRONOUS TRANSMISSION REQUIREMENTS**

| Parameter No. | Sym      | Characteristic   | Min | Typ† | Max | Units | Conditions |
|---------------|----------|--|-----|------|-----|-------|------------|
| 120           | TckH2dtV | SYNC XMIT (MASTER & SLAVE)<br>Clock high to data out valid | —   | —    | 65  | ns    |            |
| 121           | TckRF    | Clock out rise time and fall time (Master Mode)            | —   | 10   | 35  | ns    |            |
| 122           | TdtRF    | Data out rise time and fall time                           | —   | 10   | 35  | ns    |            |

† Data in "Typ" column is at 5V, 25°C unless otherwise stated. These parameters are for design guidance only and are not tested.

**FIGURE 17-10: USART MODULE: SYNCHRONOUS RECEIVE (MASTER/SLAVE) TIMING**



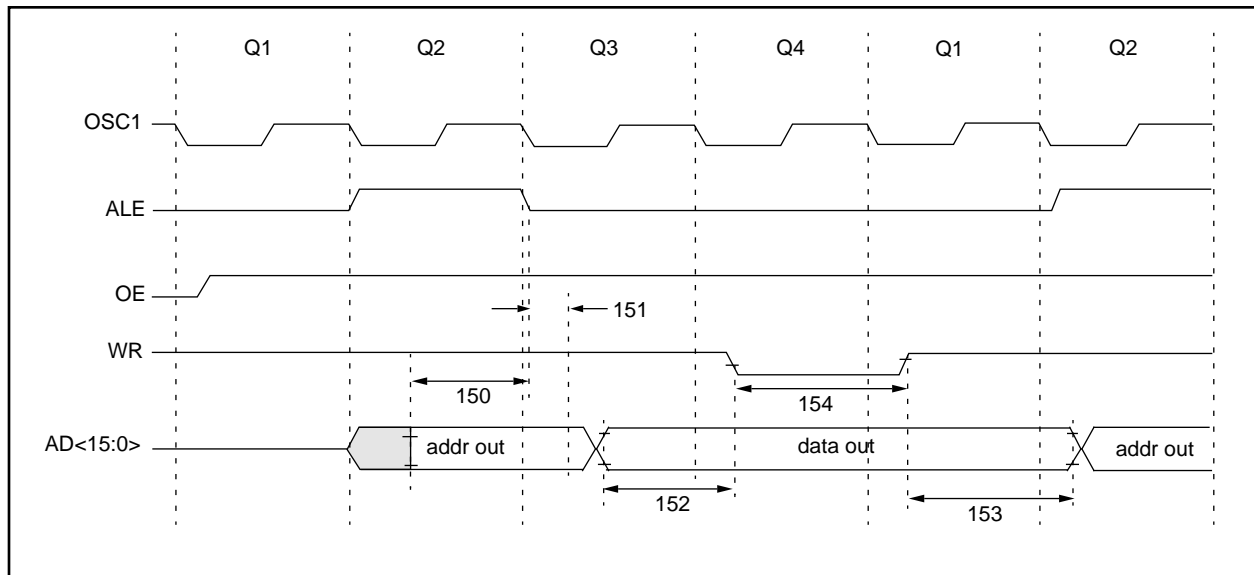
**TABLE 17-10: SERIAL PORT SYNCHRONOUS RECEIVE REQUIREMENTS**

| Parameter No. | Sym      | Characteristic   | Min | Typ† | Max | Units | Conditions |
|---------------|----------|--|-----|------|-----|-------|------------|
| 125           | TdtV2ckL | SYNC RCV (MASTER & SLAVE)<br>Data hold before CK↓ (DT hold time) | 15  | —    | —   | ns    |            |
| 126           | TckL2dtl | Data hold after CK↓ (DT hold time)                               | 15  | —    | —   | ns    |            |

† Data in "Typ" column is at 5V, 25°C unless otherwise stated. These parameters are for design guidance only and are not tested.



**FIGURE 17-11: MEMORY INTERFACE WRITE TIMING**



**TABLE 17-11: MEMORY INTERFACE WRITE REQUIREMENTS**

| Parameter No. | Sym      | Characteristic   | Min          | Typ†      | Max | Units | Conditions |
|---------------|----------|--|--------------|-----------|-----|-------|------------|
| 150           | TadV2aLL | AD<15:0> (address) valid to ALE↓<br>(address setup time) | 0.25Tcy - 30 | —         | —   | ns    |            |
| 151           | TaLL2adI | ALE↓ to address out invalid<br>(address hold time)       | 0            | —         | —   | ns    |            |
| 152           | TadV2wrL | Data out valid to WR↓<br>(data setup time)               | 0.25Tcy - 40 | —         | —   | ns    |            |
| 153           | TwrH2adI | WR↑ to data out invalid<br>(data hold time)              | —            | 0.25Tcy § | —   | ns    |            |
| 154           | TwrL     | WR pulse width   | —            | 0.25Tcy § | —   | ns    |            |

\* These parameters are characterized but not tested.

† Data in "Typ" column is at 5V, 25°C unless otherwise stated. These parameters are for design guidance only and are not tested.

§ This specification is guaranteed by design.

# PIC17C4X

Applicable Devices 42 R42 42A 43 R43 44

FIGURE 17-12: MEMORY INTERFACE READ TIMING



TABLE 17-12: MEMORY INTERFACE READ REQUIREMENTS

| Parameter No. | Sym      | Characteristic  | Min           | Typ†      | Max          | Units | Conditions |
|---------------|----------|---|---------------|-----------|--------------|-------|------------|
| 150           | TadV2alL | AD<15:0> (address) valid to ALE↓ (address setup time) | 0.25Tcy - 30  | —         | —            | ns    |            |
| 151           | TalL2adI | ALE↓ to address out invalid (address hold time)       | 5*            | —         | —            | ns    |            |
| 160           | TadZ2oeL | AD<15:0> high impedance to OE↓                        | 0*            | —         | —            | ns    |            |
| 161           | ToeH2adD | OE↑ to AD<15:0> driven                                | 0.25Tcy - 15  | —         | —            | ns    |            |
| 162           | TadV2oeH | Data in valid before OE↑ (data setup time)            | 35            | —         | —            | ns    |            |
| 163           | ToeH2adI | OE↑ to data in invalid (data hold time)               | 0             | —         | —            | ns    |            |
| 164           | TalH     | ALE pulse width                                       | —             | 0.25Tcy § | —            | ns    |            |
| 165           | ToeL     | OE pulse width  | 0.5Tcy - 35 § | —         | —            | ns    |            |
| 166           | TalH2alH | ALE↑ to ALE↑ (cycle time)                             | —             | Tcy §     | —            | ns    |            |
| 167           | Tacc     | Address access time                                   | —             | —         | 0.75 Tcy-40  | ns    |            |
| 168           | Toe      | Output enable access time (OE low to Data Valid)      | —             | —         | 0.5 Tcy - 60 | ns    |            |

\* These parameters are characterized but not tested.

† Data in "Typ" column is at 5V, 25°C unless otherwise stated. These parameters are for design guidance only and are not tested.

§ This specification guaranteed by design.

## 18.0 PIC17C42 DC AND AC CHARACTERISTICS

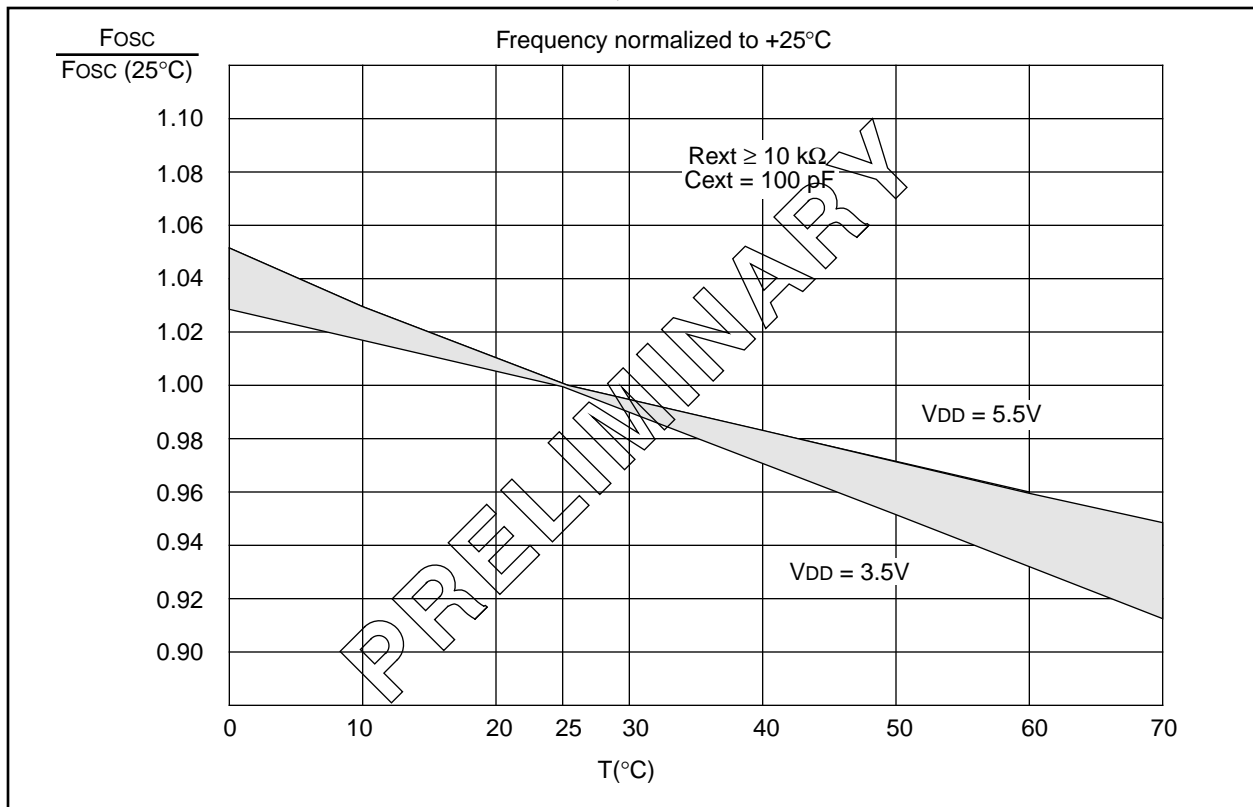
The graphs and tables provided in this section are for design guidance and are not tested or guaranteed. In some graphs or tables the data presented are outside specified operating range (e.g. outside specified VDD range). This is for information only and devices are ensured to operate properly only within the specified range.

The data presented in this section is a statistical summary of data collected on units from different lots over a period of time. "Typical" represents the mean of the distribution while "max" or "min" represents (mean + 3σ) and (mean - 3σ) respectively where σ is standard deviation.

**TABLE 18-1: PIN CAPACITANCE PER PACKAGE TYPE**

| Pin Name                            | Typical Capacitance (pF) |             |             |             |
|-------------------------------------|--------------------------|-------------|-------------|-------------|
|                                     | 40-pin DIP               | 44-pin PLCC | 44-pin MQFP | 44-pin TQFP |
| All pins, except MCLR, VDD, and VSS | 10                       | 10          | 10          | 10          |
| MCLR pin                            | 20                       | 20          | 20          | 20          |

**FIGURE 18-1: TYPICAL RC OSCILLATOR FREQUENCY vs. TEMPERATURE**



# PIC17C4X

Applicable Devices 42 R42 42A 43 R43 44

FIGURE 18-2: TYPICAL RC OSCILLATOR FREQUENCY vs. VDD



FIGURE 18-3: TYPICAL RC OSCILLATOR FREQUENCY vs. VDD



**FIGURE 18-4: TYPICAL RC OSCILLATOR FREQUENCY vs. VDD**



**TABLE 18-2: RC OSCILLATOR FREQUENCIES**

| Cext   | Rext | Average Fosc @ 5V, 25°C |           |
|--------|------|-------------------------|-----------|
|        |      | Fosc (MHz)              | Tolerance |
| 22 pF  | 10k  | 3.33 MHz                | ± 12%     |
|        | 100k | 353 kHz                 | ± 13%     |
| 100 pF | 3.3k | 3.54 MHz                | ± 10%     |
|        | 5.1k | 2.43 MHz                | ± 14%     |
|        | 10k  | 1.30 MHz                | ± 17%     |
|        | 100k | 129 kHz                 | ± 10%     |
| 300 pF | 3.3k | 1.54 MHz                | ± 14%     |
|        | 5.1k | 980 kHz                 | ± 12%     |
|        | 10k  | 564 kHz                 | ± 16%     |
|        | 160k | 35 kHz                  | ± 18%     |

# PIC17C4X

Applicable Devices 42 R42 42A 43 R43 44

FIGURE 18-5: TRANSCONDUCTANCE (gm) OF LF OSCILLATOR vs. VDD

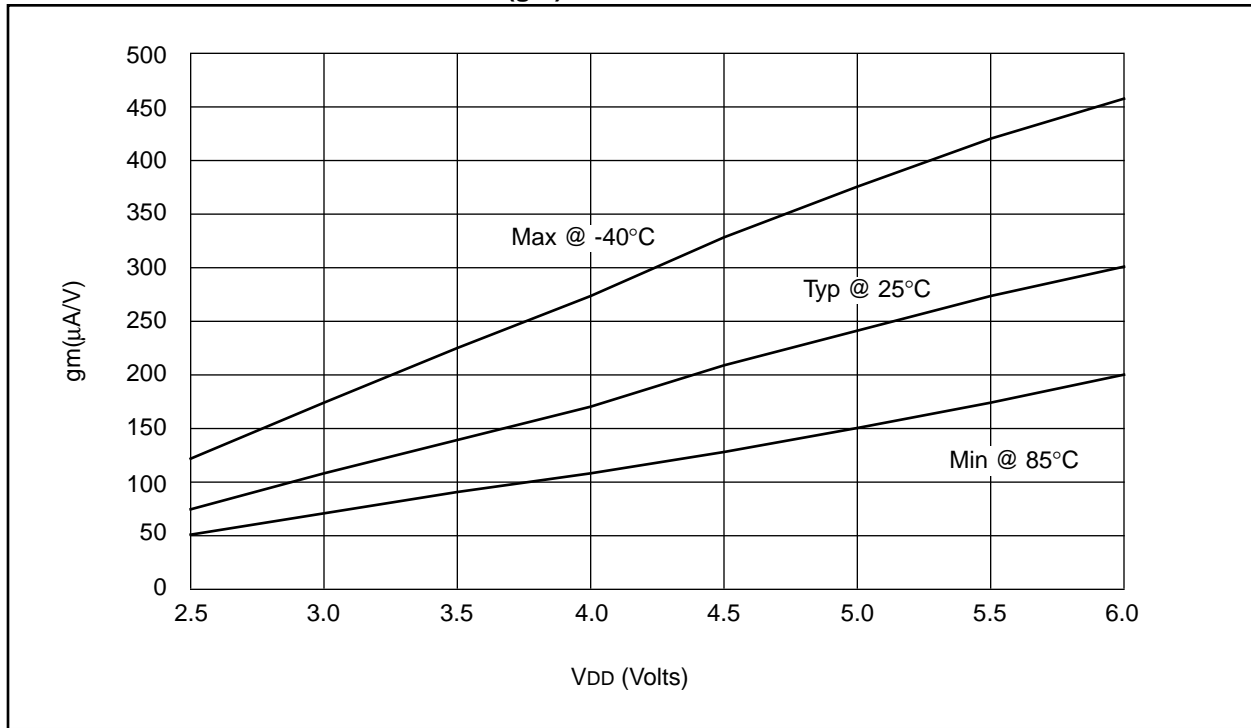
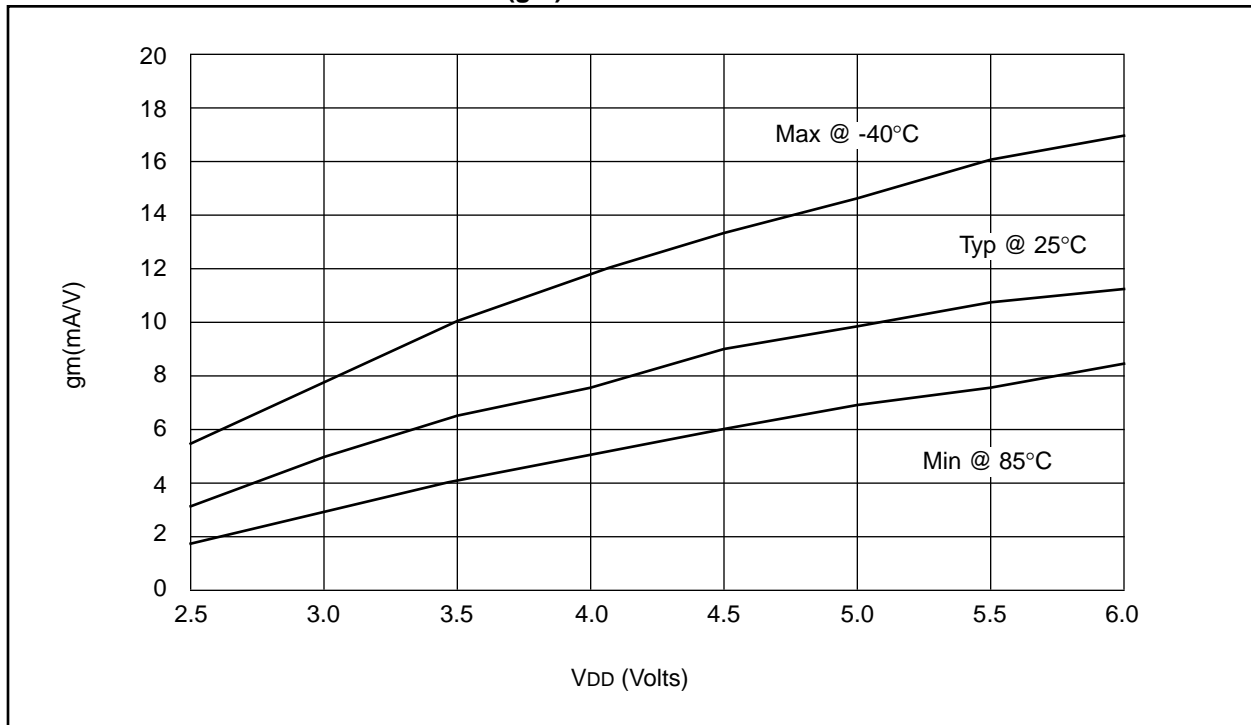
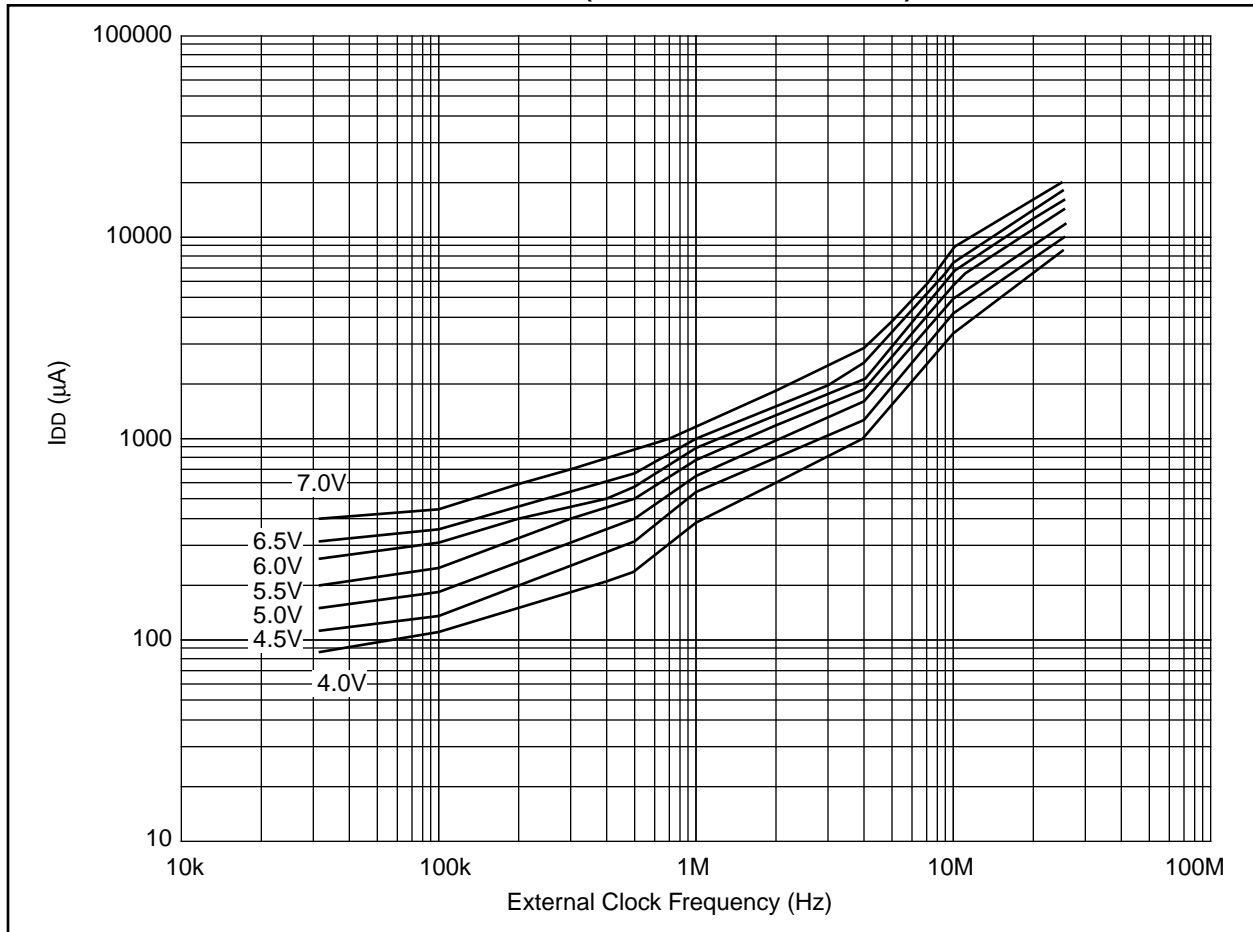


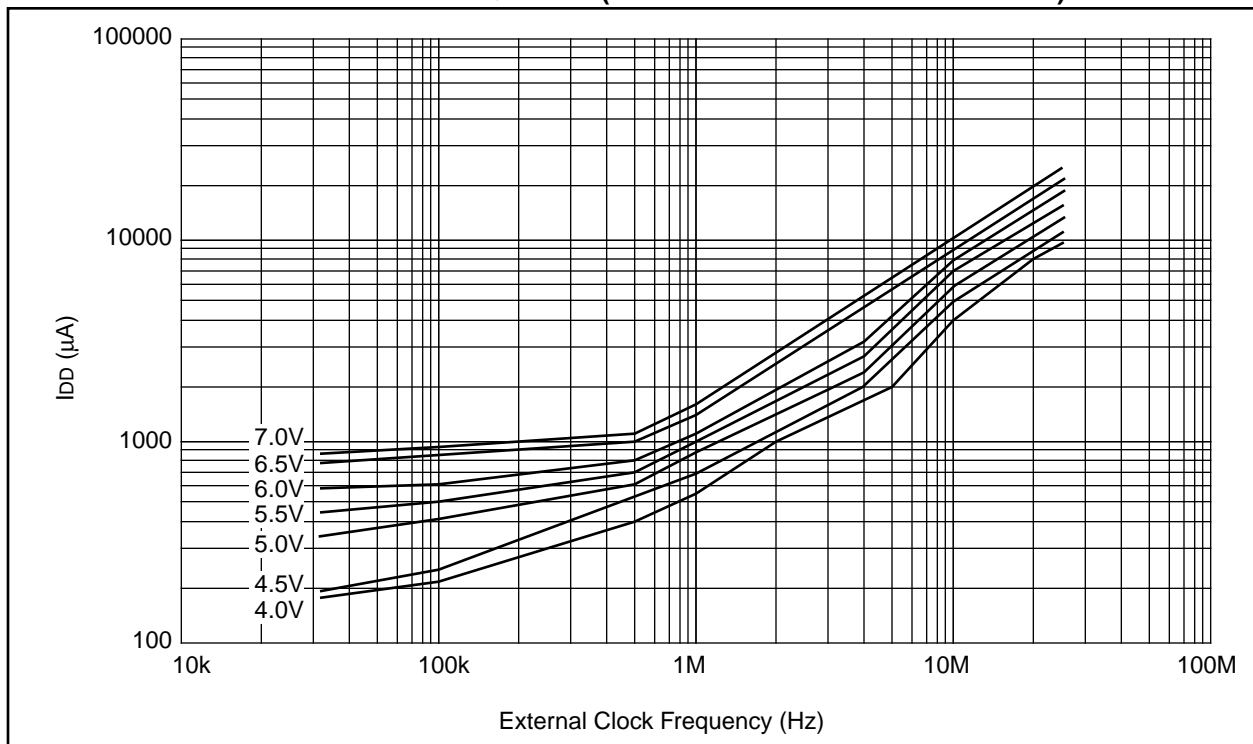
FIGURE 18-6: TRANSCONDUCTANCE (gm) OF XT OSCILLATOR vs. VDD



**FIGURE 18-7: TYPICAL  $I_{DD}$  vs. FREQUENCY (EXTERNAL CLOCK 25°C)**



**FIGURE 18-8: MAXIMUM  $I_{DD}$  vs. FREQUENCY (EXTERNAL CLOCK 125°C TO -40°C)**



# PIC17C4X

Applicable Devices 42 R42 42A 43 R43 44

FIGURE 18-9: TYPICAL  $I_{PD}$  vs.  $V_{DD}$  WATCHDOG DISABLED 25°C

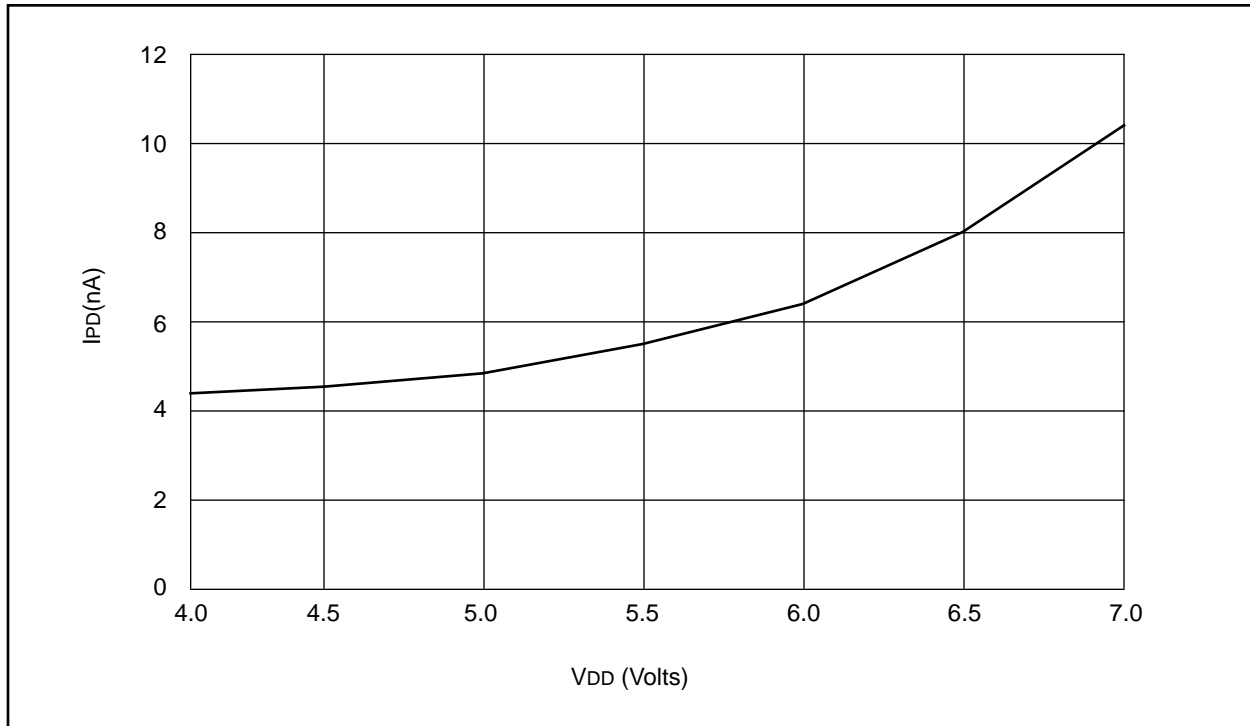
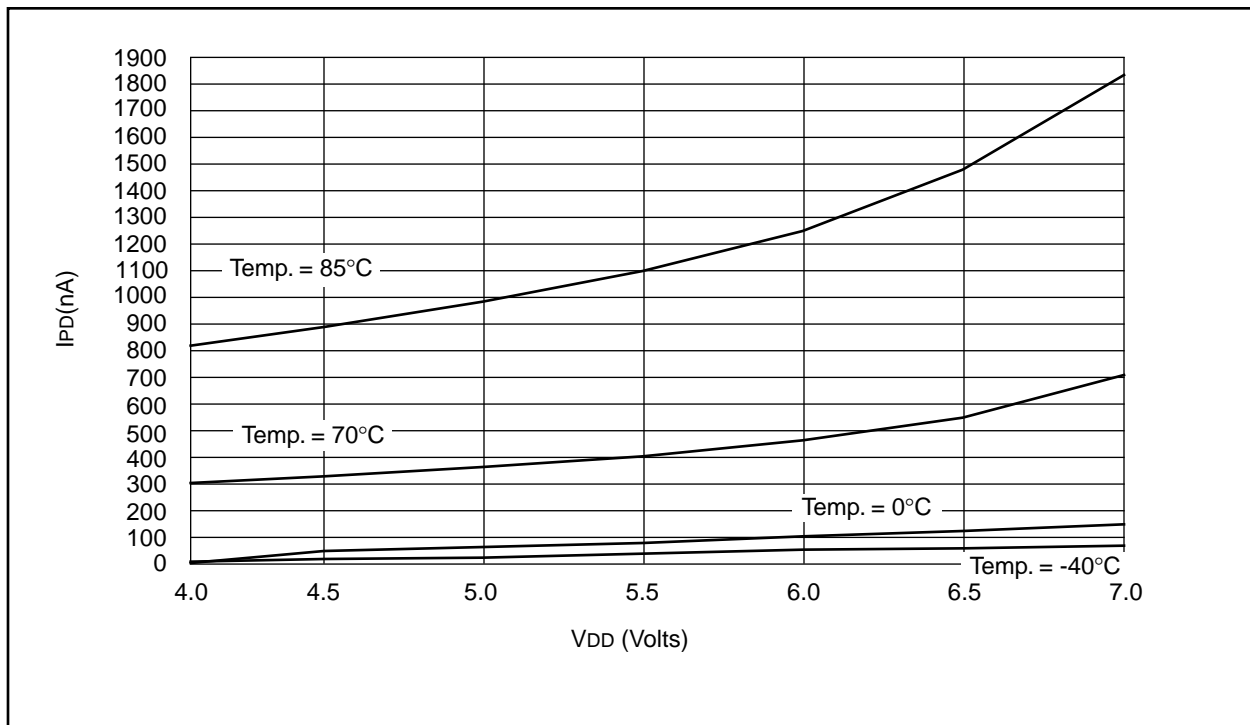


FIGURE 18-10: MAXIMUM  $I_{PD}$  vs.  $V_{DD}$  WATCHDOG DISABLED





**FIGURE 18-11: TYPICAL  $I_{PD}$  vs.  $V_{DD}$  WATCHDOG ENABLED 25°C**



**FIGURE 18-12: MAXIMUM  $I_{PD}$  vs.  $V_{DD}$  WATCHDOG ENABLED**



# PIC17C4X

Applicable Devices 42 R42 42A 43 R43 44

FIGURE 18-13: WDT TIMER TIME-OUT PERIOD vs. VDD



FIGURE 18-14: I<sub>OH</sub> vs. V<sub>OH</sub>, VDD = 3V



**FIGURE 18-15:  $I_{OH}$  vs.  $V_{OH}$ ,  $V_{DD} = 5V$**



**FIGURE 18-16:  $I_{OL}$  vs.  $V_{OL}$ ,  $V_{DD} = 3V$**



# PIC17C4X

Applicable Devices 42 R42 42A 43 R43 44

FIGURE 18-17: I<sub>OH</sub> vs. V<sub>OL</sub>, V<sub>DD</sub> = 5V

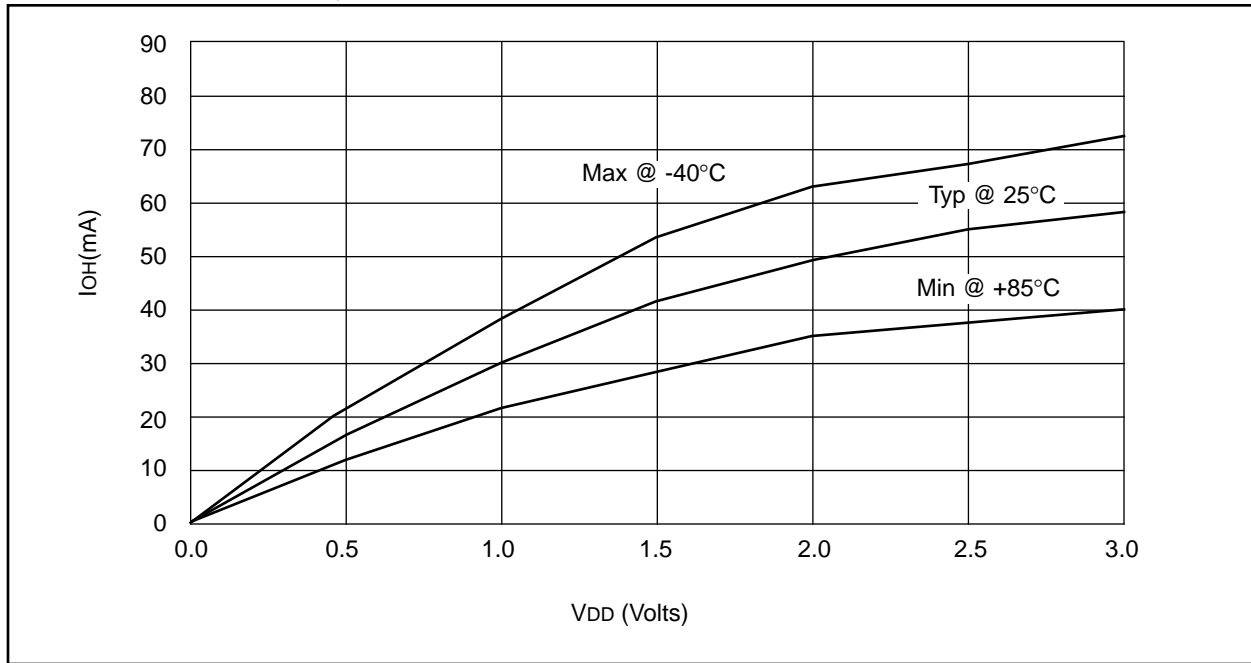
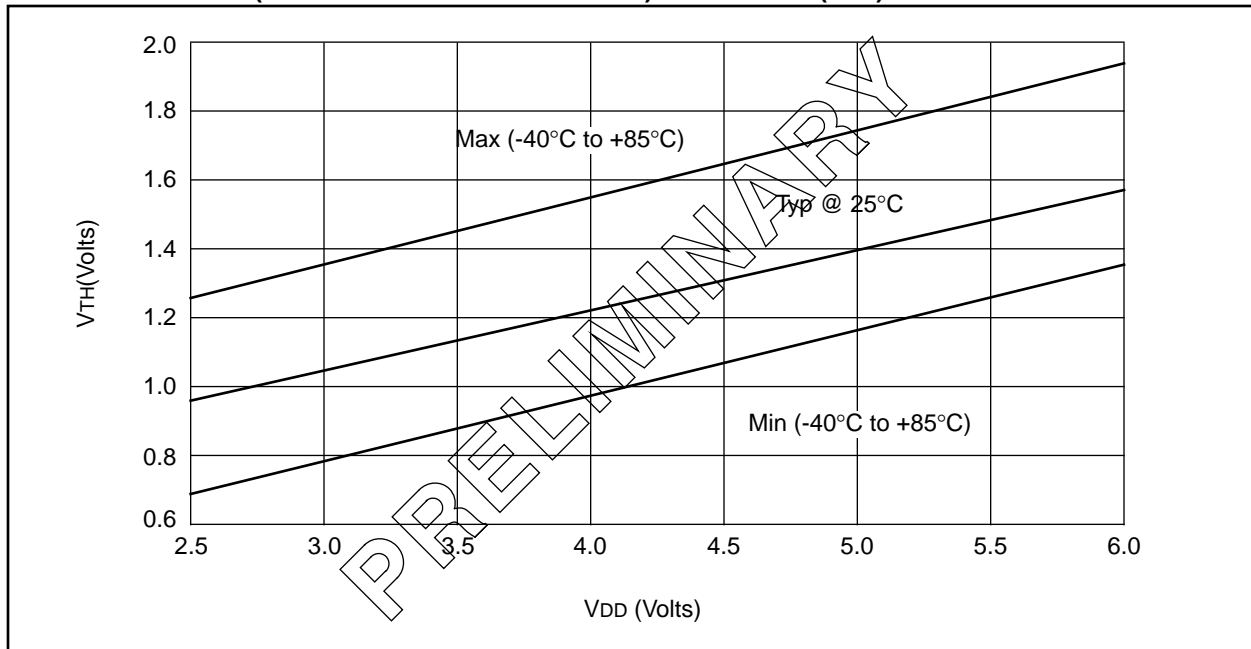
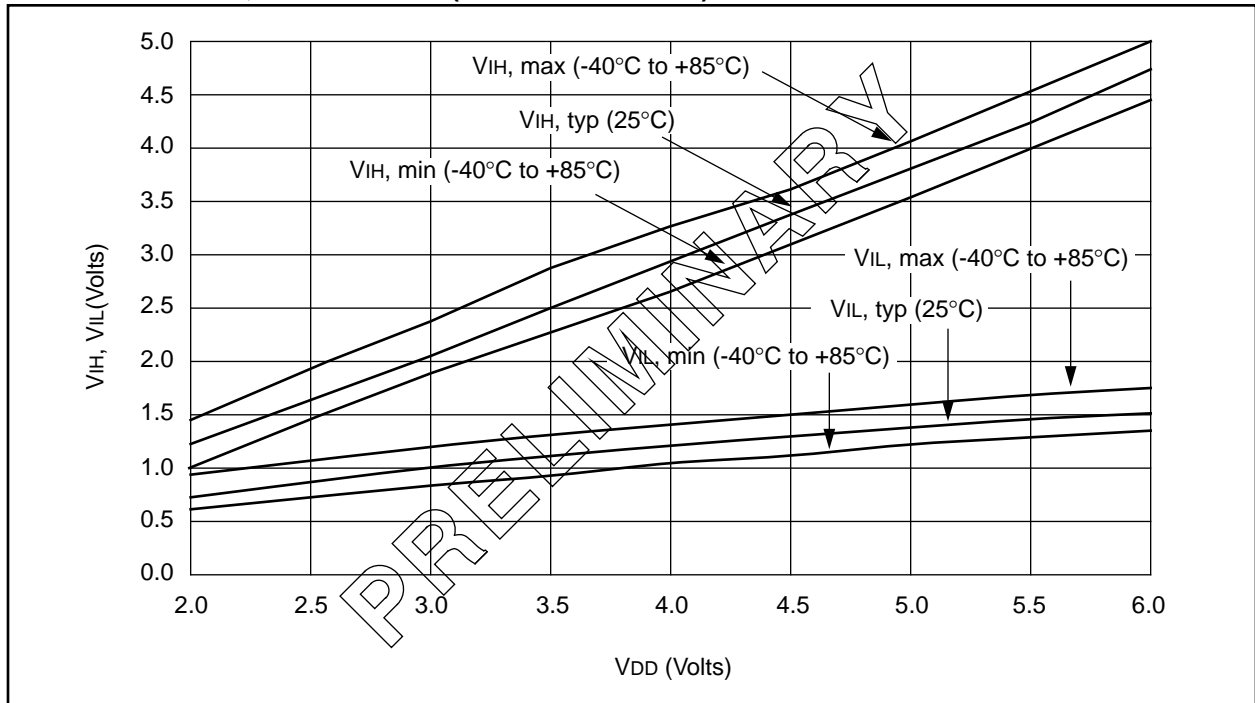


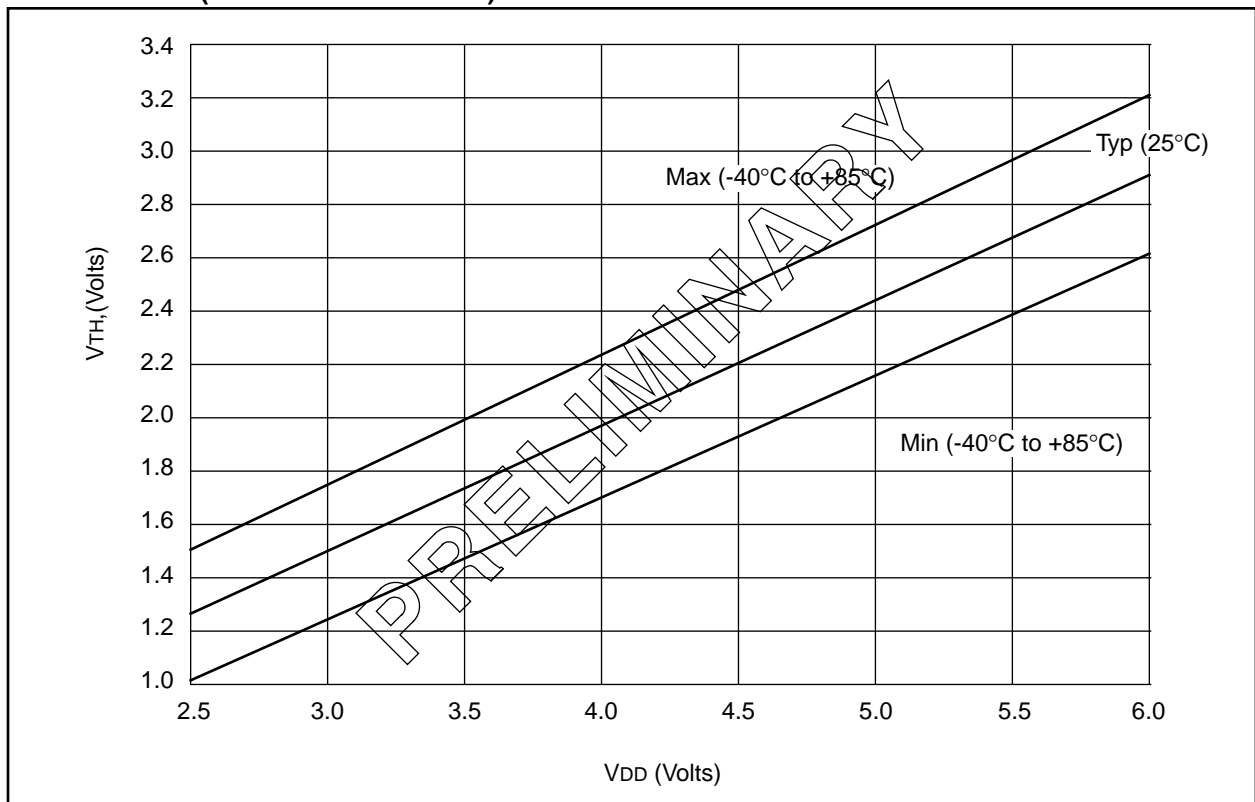
FIGURE 18-18: V<sub>TH</sub> (INPUT THRESHOLD VOLTAGE) OF I/O PINS (TTL) vs. V<sub>DD</sub>



**FIGURE 18-19:  $V_{TH}$ ,  $V_{IL}$  of I/O PINS (SCHMITT TRIGGER) vs.  $V_{DD}$**



**FIGURE 18-20:  $V_{TH}$  (INPUT THRESHOLD VOLTAGE) OF OSC1 INPUT (IN XT AND LF MODES) vs.  $V_{DD}$**



# PIC17C4X

---

NOTES:

## 19.0 PIC17CR42/42A/43/R43/44 ELECTRICAL CHARACTERISTICS

### Absolute Maximum Ratings †

|   |                     |
|---|---------------------|
| Ambient temperature under bias.....   | -55 to +125°C       |
| Storage temperature .....   | -65°C to +150°C     |
| Voltage on VDD with respect to VSS .....  | 0 to +7.5V          |
| Voltage on $\overline{\text{MCLR}}$ with respect to VSS (Note 2) .....                  | -0.6V to +14V       |
| Voltage on RA2 and RA3 with respect to VSS.....   | -0.6V to +14V       |
| Voltage on all other pins with respect to VSS .....                                     | -0.6V to VDD + 0.6V |
| Total power dissipation (Note 1).....   | 1.0W                |
| Maximum current out of VSS pin(s) - total .....   | 250 mA              |
| Maximum current into VDD pin(s) - total .....   | 200 mA              |
| Input clamp current, I <sub>IK</sub> (V <sub>I</sub> < 0 or V <sub>I</sub> > VDD) ..... | ±20 mA              |
| Output clamp current, I <sub>OK</sub> (V <sub>O</sub> < 0 or V <sub>O</sub> > VDD)..... | ±20 mA              |
| Maximum output current sunk by any I/O pin (except RA2 and RA3).....                    | 35 mA               |
| Maximum output current sunk by RA2 or RA3 pins .....                                    | 60 mA               |
| Maximum output current sourced by any I/O pin .....                                     | 20 mA               |
| Maximum current sunk by PORTA and PORTB (combined).....                                 | 150 mA              |
| Maximum current sourced by PORTA and PORTB (combined).....                              | 100 mA              |
| Maximum current sunk by PORTC, PORTD and PORTE (combined).....                          | 150 mA              |
| Maximum current sourced by PORTC, PORTD and PORTE (combined).....                       | 100 mA              |

**Note 1:** Power dissipation is calculated as follows:  $P_{dis} = V_{DD} \times \{I_{DD} - \sum I_{OH}\} + \sum \{(V_{DD} - V_{OH}) \times I_{OH}\} + \sum (V_{OL} \times I_{OL})$

**Note 2:** Voltage spikes below VSS at the  $\overline{\text{MCLR}}$  pin, inducing currents greater than 80 mA, may cause latch-up. Thus, a series resistor of 50-100Ω should be used when applying a "low" level to the  $\overline{\text{MCLR}}$  pin rather than pulling this pin directly to VSS.

† NOTICE: Stresses above those listed under "Absolute Maximum Ratings" may cause permanent damage to the device. This is a stress rating only and functional operation of the device at those or any other conditions above those indicated in the operation listings of this specification is not implied. Exposure to maximum rating conditions for extended periods may affect device reliability.

# PIC17C4X

Applicable Devices 42 R42 42A 43 R43 44

**TABLE 19-1: CROSS REFERENCE OF DEVICE SPECS FOR OSCILLATOR CONFIGURATIONS AND FREQUENCIES OF OPERATION (COMMERCIAL DEVICES)**

|     | PIC17LCR42-08<br>PIC17LC42A-08<br>PIC17LC43-08<br>PIC17LCR43-08<br>PIC17LC44-08                               | PIC17CR42-16<br>PIC17C42A-16<br>PIC17C43-16<br>PIC17CR43-16<br>PIC17C44-16                                     | PIC17CR42-25<br>PIC17C42A-25<br>PIC17C43-25<br>PIC17CR43-25<br>PIC17C44-25                                     | PIC17CR42-33<br>PIC17C42A-33<br>PIC17C43-33<br>PIC17CR43-33<br>PIC17C44-33                                     | JW Devices<br>(Ceramic Windowed<br>Devices)   |
|-----|---|--|--|--|---|
| OSC | VDD: 2.5V to 6.0V<br>IDD: 6 mA max.<br>IPD: 5 µA max. at 5.5V<br>WDT disabled<br>Freq: 4 MHz max.             | VDD: 4.5V to 6.0V<br>IDD: 6 mA max.<br>IPD: 5 µA max. at 5.5V<br>WDT disabled<br>Freq: 4 MHz max.              | VDD: 4.5V to 6.0V<br>IDD: 6 mA max.<br>IPD: 5 µA max. at 5.5V<br>WDT disabled<br>Freq: 4 MHz max.              | VDD: 4.5V to 6.0V<br>IDD: 6 mA max.<br>IPD: 5 µA max. at 5.5V<br>WDT disabled<br>Freq: 4 MHz max.              | VDD: 4.5V to 6.0V<br>IDD: 6 mA max.<br>IPD: 5 µA max. at 5.5V<br>WDT disabled<br>Freq: 4 MHz max.             |
| RC  | VDD: 2.5V to 6.0V<br>IDD: 12 mA max.<br>IPD: 5 µA max. at 5.5V<br>WDT disabled<br>Freq: 8 MHz max.            | VDD: 4.5V to 6.0V<br>IDD: 24 mA max.<br>IPD: 5 µA max. at 5.5V<br>WDT disabled<br>Freq: 16 MHz max.            | VDD: 4.5V to 6.0V<br>IDD: 38 mA max.<br>IPD: 5 µA max. at 5.5V<br>WDT disabled<br>Freq: 25 MHz max.            | VDD: 4.5V to 6.0V<br>IDD: 38 mA max.<br>IPD: 5 µA max. at 5.5V<br>WDT disabled<br>Freq: 33 MHz max.            | VDD: 4.5V to 6.0V<br>IDD: 38 mA max.<br>IPD: 5 µA max. at 5.5V<br>WDT disabled<br>Freq: 33 MHz max.           |
| XT  | VDD: 2.5V to 6.0V<br>IDD: 12 mA max.<br>IPD: 5 µA max. at 5.5V<br>WDT disabled<br>Freq: 8 MHz max.            | VDD: 4.5V to 6.0V<br>IDD: 24 mA max.<br>IPD: 5 µA max. at 5.5V<br>WDT disabled<br>Freq: 16 MHz max.            | VDD: 4.5V to 6.0V<br>IDD: 38 mA max.<br>IPD: 5 µA max. at 5.5V<br>WDT disabled<br>Freq: 25 MHz max.            | VDD: 4.5V to 6.0V<br>IDD: 38 mA max.<br>IPD: 5 µA max. at 5.5V<br>WDT disabled<br>Freq: 33 MHz max.            | VDD: 4.5V to 6.0V<br>IDD: 38 mA max.<br>IPD: 5 µA max. at 5.5V<br>WDT disabled<br>Freq: 33 MHz max.           |
| EC  | VDD: 2.5V to 6.0V<br>IDD: 12 mA max.<br>IPD: 5 µA max. at 5.5V<br>WDT disabled<br>Freq: 8 MHz max.            | VDD: 4.5V to 6.0V<br>IDD: 24 mA max.<br>IPD: 5 µA max. at 5.5V<br>WDT disabled<br>Freq: 16 MHz Max.            | VDD: 4.5V to 6.0V<br>IDD: 38 mA max.<br>IPD: 5 µA max. at 5.5V<br>WDT disabled<br>Freq: 25 MHz max.            | VDD: 4.5V to 6.0V<br>IDD: 38 mA max.<br>IPD: 5 µA max. at 5.5V<br>WDT disabled<br>Freq: 33 MHz max.            | VDD: 4.5V to 6.0V<br>IDD: 38 mA max.<br>IPD: 5 µA max. at 5.5V<br>WDT disabled<br>Freq: 33 MHz max.           |
| LF  | VDD: 2.5V to 6.0V<br>IDD: 150 µA max. at 32 kHz<br>IPD: 5 µA max. at 5.5V<br>WDT disabled<br>Freq: 2 MHz max. | VDD: 4.5V to 6.0V<br>IDD: 95 µA typ. at 32 kHz<br>IPD: < 1 µA typ. at 5.5V<br>WDT disabled<br>Freq: 2 MHz max. | VDD: 4.5V to 6.0V<br>IDD: 95 µA typ. at 32 kHz<br>IPD: < 1 µA typ. at 5.5V<br>WDT disabled<br>Freq: 2 MHz max. | VDD: 4.5V to 6.0V<br>IDD: 95 µA typ. at 32 kHz<br>IPD: < 1 µA typ. at 5.5V<br>WDT disabled<br>Freq: 2 MHz max. | VDD: 2.5V to 6.0V<br>IDD: 150 µA max. at 32 kHz<br>IPD: 5 µA max. at 5.5V<br>WDT disabled<br>Freq: 2 MHz max. |

The shaded sections indicate oscillator selections which are tested for functionality, but not for MIN/MAX specifications. It is recommended that the user select the device type that ensures the specifications required.



**19.1 DC CHARACTERISTICS:**      **PIC17CR42/42A/43/R43/44-16 (Commercial, Industrial)**  
**PIC17CR42/42A/43/R43/44-25 (Commercial, Industrial)**  
**PIC17CR42/42A/43/R43/44-33 (Commercial, Industrial)**

| DC CHARACTERISTICS |      | Standard Operating Conditions (unless otherwise stated)                  |         |      |      |       |   |
|--------------------|------|--|---------|------|------|-------|---|
|                    |      | Operating temperature  |         |      |      |       |   |
|                    |      | -40°C ≤ TA ≤ +85°C for industrial and<br>0°C ≤ TA ≤ +70°C for commercial |         |      |      |       |   |
| Parameter No.      | Sym  | Characteristic   | Min     | Typ† | Max  | Units | Conditions  |
| D001               | VDD  | Supply Voltage   | 4.5     | –    | 6.0  | V     |   |
| D002               | VDR  | RAM Data Retention Voltage (Note 1)                                      | 1.5 *   | –    | –    | V     | Device in SLEEP mode                              |
| D003               | VPOR | VDD start voltage to ensure internal Power-on Reset signal               | –       | VSS  | –    | V     | See section on Power-on Reset for details         |
| D004               | SvDD | VDD rise rate to ensure internal Power-on Reset signal                   | 0.060 * | –    | –    | mV/ms | See section on Power-on Reset for details         |
| D010               | IDD  | Supply Current (Note 2)  | –       | 3    | 6    | mA    | FOSC = 4 MHz (Note 4)                             |
| D011               |      |  | –       | 6    | 12 * | mA    | FOSC = 8 MHz                                      |
| D012               |      |  | –       | 11   | 24 * | mA    | FOSC = 16 MHz                                     |
| D013               |      |  | –       | 19   | 38   | mA    | FOSC = 25 MHz                                     |
| D015               |      |  | –       | 25   | 50   | mA    | FOSC = 33 MHz                                     |
| D014               |      |  | –       | 95   | 150  | µA    | FOSC = 32 kHz, WDT enabled (EC osc configuration) |
| D020               | IPD  | Power-down Current (Note 3)  | –       | 10   | 40   | µA    | VDD = 5.5V, WDT enabled                           |
| D021               |      |  | –       | < 1  | 5    | µA    | VDD = 5.5V, WDT disabled                          |

\* These parameters are characterized but not tested.

† Data in "Typ" column is at 5V, 25°C unless otherwise stated. These parameters are for design guidance only and are not tested.

Note 1: This is the limit to which VDD can be lowered in SLEEP mode without losing RAM data.

2: The supply current is mainly a function of the operating voltage and frequency. Other factors such as I/O pin loading and switching rate, oscillator type, internal code execution pattern, and temperature also have an impact on the current consumption.

The test conditions for all IDD measurements in active operation mode are:

OSC1 = external square wave, from rail to rail; all I/O pins tristated, pulled to VDD or VSS, T0CKI = VDD, MCLR = VDD; WDT enabled/disabled as specified.

Current consumed from the oscillator and I/O's driving external capacitive or resistive loads needs to be considered.

For the RC oscillator, the current through the external pull-up resistor (R) can be estimated as:  $V_{DD} / (2 \cdot R)$ .

For capacitive loads, the current can be estimated (for an individual I/O pin) as  $(CL \cdot V_{DD}) \cdot f$

CL = Total capacitive load on the I/O pin; f = average frequency the I/O pin switches.

The capacitive currents are most significant when the device is configured for external execution (includes extended microcontroller mode).

3: The power down current in SLEEP mode does not depend on the oscillator type. Power-down current is measured with the part in SLEEP mode, with all I/O pins in hi-impedance state and tied to VDD and VSS.

4: For RC osc configuration, current through Rext is not included. The current through the resistor can be estimated by the formula  $I_R = V_{DD}/2R_{ext}$  (mA) with Rext in kOhm.

# PIC17C4X

Applicable Devices 42 R42 42A 43 R43 44

## 19.2 DC CHARACTERISTICS: PIC17LC42A/43/LC44 (Commercial, Industrial) PIC17LCR42/43 (Commercial, Industrial)

| DC CHARACTERISTICS   |      | Standard Operating Conditions (unless otherwise stated)                  |         |              |                  |                |  |
|----------------------|------|--|---------|--------------|------------------|----------------|--|
|                      |      | Operating temperature  |         |              |                  |                |  |
|                      |      | -40°C ≤ TA ≤ +85°C for industrial and<br>0°C ≤ TA ≤ +70°C for commercial |         |              |                  |                |  |
| Parameter No.        | Sym  | Characteristic   | Min     | Typ†         | Max              | Units          | Conditions   |
| D001                 | VDD  | Supply Voltage   | 2.5     | –            | 6.0              | V              |  |
| D002                 | VDR  | RAM Data Retention Voltage (Note 1)                                      | 1.5 *   | –            | –                | V              | Device in SLEEP mode   |
| D003                 | VPOR | VDD start voltage to ensure internal Power-on Reset signal               | –       | VSS          | –                | V              | See section on Power-on Reset for details  |
| D004                 | SVDD | VDD rise rate to ensure internal Power-on Reset signal                   | 0.060 * | –            | –                | mV/ms          | See section on Power-on Reset for details  |
| D010<br>D011<br>D014 | IDD  | Supply Current (Note 2)  | –       | 3<br>6<br>95 | 6<br>12 *<br>150 | mA<br>mA<br>μA | FOSC = 4 MHz (Note 4)<br>FOSC = 8 MHz<br>FOSC = 32 kHz,<br>WDT disabled (EC osc configuration) |
| D020<br>D021         | IPD  | Power-down Current (Note 3)  | –       | 10<br>< 1    | 40<br>5          | μA<br>μA       | VDD = 5.5V, WDT enabled<br>VDD = 5.5V, WDT disabled  |

\* These parameters are characterized but not tested.

† Data in "Typ" column is at 5V, 25°C unless otherwise stated. These parameters are for design guidance only and are not tested.

Note 1: This is the limit to which VDD can be lowered in SLEEP mode without losing RAM data.

2: The supply current is mainly a function of the operating voltage and frequency. Other factors such as I/O pin loading and switching rate, oscillator type, internal code execution pattern, and temperature also have an impact on the current consumption.

The test conditions for all IDD measurements in active operation mode are:

OSC1=external square wave, from rail to rail; all I/O pins tristated, pulled to VDD or VSS, T0CKI = VDD, MCLR = VDD; WDT enabled/disabled as specified.

Current consumed from the oscillator and I/O's driving external capacitive or resistive loads needs to be considered.

For the RC oscillator, the current through the external pull-up resistor (R) can be estimated as:  $V_{DD} / (2 \cdot R)$ .

For capacitive loads, the current can be estimated (for an individual I/O pin) as  $(C_L \cdot V_{DD}) \cdot f$

$C_L$  = Total capacitive load on the I/O pin;  $f$  = average frequency the I/O pin switches.

The capacitive currents are most significant when the device is configured for external execution (includes extended microcontroller mode).

3: The power down current in SLEEP mode does not depend on the oscillator type. Power-down current is measured with the part in SLEEP mode, with all I/O pins in hi-impedance state and tied to VDD or VSS.

4: For RC osc configuration, current through Rext is not included. The current through the resistor can be estimated by the formula  $I_R = V_{DD}/2R_{ext}$  (mA) with Rext in kOhm.

**19.3 DC CHARACTERISTICS:**      **PIC17CR42/42A/43/R43/44-16 (Commercial, Industrial)**  
**PIC17CR42/42A/43/R43/44-25 (Commercial, Industrial)**  
**PIC17CR42/42A/43/R43/44-33 (Commercial, Industrial)**  
**PIC17LCR42/42A/43/R43/44-08 (Commercial, Industrial)**

| DC CHARACTERISTICS |                   | Standard Operating Conditions (unless otherwise stated)   |                               |                    |                    |       |   |
|--------------------|-------------------|---|-------------------------------|--------------------|--------------------|-------|---|
|                    |                   | Operating temperature<br>$-40^{\circ}\text{C} \leq T_A \leq +85^{\circ}\text{C}$ for industrial and<br>$0^{\circ}\text{C} \leq T_A \leq +70^{\circ}\text{C}$ for commercial |                               |                    |                    |       |   |
|                    |                   | Operating voltage $V_{DD}$ range as described in Section 19.1   |                               |                    |                    |       |   |
| Parameter No.      | Sym               | Characteristic  | Min                           | Typ†               | Max                | Units | Conditions  |
|                    |                   | <b>Input Low Voltage</b>  |                               |                    |                    |       |   |
| D030               | V <sub>IL</sub>   | I/O ports<br>with TTL buffer  | V <sub>SS</sub>               | –                  | 0.8                | V     | $4.5\text{V} \leq V_{DD} \leq 5.5\text{V}$<br>$2.5\text{V} \leq V_{DD} \leq 4.5\text{V}$                          |
| D031               |                   | with Schmitt Trigger buffer   | V <sub>SS</sub>               | –                  | 0.2V <sub>DD</sub> | V     |   |
| D032               |                   | $\overline{\text{MCLR}}$ , OSC1 (in EC and RC mode)   | V <sub>SS</sub>               | –                  | 0.2V <sub>DD</sub> | V     | Note1   |
| D033               |                   | OSC1 (in XT, and LF mode)   | –                             | 0.5V <sub>DD</sub> | –                  | V     |   |
|                    |                   | <b>Input High Voltage</b>   |                               |                    |                    |       |   |
| D040               | V <sub>IH</sub>   | I/O ports<br>with TTL buffer  | 2.0<br>1 + 0.2V <sub>DD</sub> | –                  | V <sub>DD</sub>    | V     | $4.5\text{V} \leq V_{DD} \leq 5.5\text{V}$<br>$2.5\text{V} \leq V_{DD} \leq 4.5\text{V}$                          |
| D041               |                   | with Schmitt Trigger buffer   | 0.8V <sub>DD</sub>            | –                  | V <sub>DD</sub>    | V     |   |
| D042               |                   | $\overline{\text{MCLR}}$  | 0.8V <sub>DD</sub>            | –                  | V <sub>DD</sub>    | V     | Note1   |
| D043               |                   | OSC1 (XT, and LF mode)  | –                             | 0.5V <sub>DD</sub> | –                  | V     |   |
| D050               | V <sub>HYS</sub>  | Hysteresis of Schmitt Trigger inputs  | 0.15V <sub>DD</sub> *         | –                  | –                  | V     |   |
|                    |                   | <b>Input Leakage Current</b><br>(Notes 2, 3)  |                               |                    |                    |       |   |
| D060               | I <sub>IL</sub>   | I/O ports (except RA2, RA3)   | –                             | –                  | ±1                 | μA    | V <sub>SS</sub> ≤ V <sub>PIN</sub> ≤ V <sub>DD</sub> ,<br>I/O Pin at hi-impedance<br>PORTB weak pull-ups disabled |
| D061               |                   | $\overline{\text{MCLR}}$  | –                             | –                  | ±2                 | μA    | V <sub>PIN</sub> = V <sub>SS</sub> or V <sub>PIN</sub> = V <sub>DD</sub>  |
| D062               |                   | RA2, RA3  | –                             | –                  | ±2                 | μA    | V <sub>SS</sub> ≤ V <sub>RA2</sub> , V <sub>RA3</sub> ≤ 12V   |
| D063               |                   | OSC1, TEST (EC, RC modes)   | –                             | –                  | ±1                 | μA    | V <sub>SS</sub> ≤ V <sub>PIN</sub> ≤ V <sub>DD</sub>  |
| D063B              |                   | OSC1, TEST (XT, LF modes)   | –                             | –                  | V <sub>PIN</sub>   | μA    | R <sub>F</sub> ≥ 1 MΩ, see Figure 14.2  |
| D064               |                   | $\overline{\text{MCLR}}$  | –                             | –                  | 10                 | μA    | V <sub>MCLR</sub> = V <sub>PP</sub> = 12V<br>(when not programming)   |
| D070               | I <sub>PURB</sub> | PORTB weak pull-up current  | 60                            | 200                | 400                | μA    | V <sub>PIN</sub> = V <sub>SS</sub> , $\overline{\text{RBPU}} = 0$<br>$4.5\text{V} \leq V_{DD} \leq 6.0\text{V}$   |

\* These parameters are characterized but not tested.

† Data in "Typ" column is at 5V, 25°C unless otherwise stated. These parameters are for design guidance only and are not tested.

‡ These parameters are for design guidance only and are not tested, nor characterized.

Note 1: In RC oscillator configuration, the OSC1/CLKIN pin is a Schmitt Trigger input. It is not recommended that the PIC17CXX devices be driven with external clock in RC mode.

2: The leakage current on the  $\overline{\text{MCLR}}$  pin is strongly dependent on the applied voltage level. The specified levels represent normal operating conditions. Higher leakage current may be measured at different input voltages.

3: Negative current is defined as coming out of the pin.

4: These specifications are for the programming of the on-chip program memory EPROM through the use of the table write instructions. The complete programming specifications can be found in: PIC17CXX Programming Specifications (Literature number DS30139).

5: The  $\overline{\text{MCLR}}$ /V<sub>PP</sub> pin may be kept in this range at times other than programming, but is not recommended.

6: For TTL buffers, the better of the two specifications may be used.

# PIC17C4X

Applicable Devices 42 R42 42A 43 R43 44

| Standard Operating Conditions (unless otherwise stated)   |       |   |          |      |          |       |   |
|---|-------|---|----------|------|----------|-------|---|
| DC CHARACTERISTICS  |       |   |          |      |          |       |   |
| Operating temperature<br>-40°C ≤ TA ≤ +85°C for industrial and<br>0°C ≤ TA ≤ +70°C for commercial |       |   |          |      |          |       |   |
| Operating voltage VDD range as described in Section 19.1  |       |   |          |      |          |       |   |
| Parameter No.   | Sym   | Characteristic  | Min      | Typ† | Max      | Units | Conditions  |
| D080  | VOL   | <b>Output Low Voltage</b><br>I/O ports (except RA2 and RA3)           | –        | –    | 0.1VDD   | V     | IO <sub>L</sub> = VDD/1.250 mA<br>4.5V ≤ VDD ≤ 6.0V   |
| D081  |       | with TTL buffer   | –        | –    | 0.1VDD * | V     | VDD = 2.5V  |
| D082  |       | RA2 and RA3   | –        | –    | 0.4      | V     | IO <sub>L</sub> = 6 mA, VDD = 4.5V<br>Note 6  |
| D083  |       | OSC2/CLKOUT   | –        | –    | 3.0      | V     | IO <sub>L</sub> = 60.0 mA, VDD = 6.0V   |
| D084  |       | (RC and EC osc modes)   | –        | –    | 0.4      | V     | IO <sub>L</sub> = 1 mA, VDD = 4.5V  |
|   |       |   | –        | –    | 0.1VDD * | V     | IO <sub>L</sub> = VDD/5 mA<br>(PIC17LC43/LC44 only)   |
| D090  | VOH   | <b>Output High Voltage</b> (Note 3)<br>I/O ports (except RA2 and RA3) | 0.9VDD   | –    | –        | V     | IO <sub>H</sub> = -VDD/2.500 mA<br>4.5V ≤ VDD ≤ 6.0V  |
| D091  |       | with TTL buffer   | 0.9VDD * | –    | –        | V     | VDD = 2.5V  |
| D092  |       | RA2 and RA3   | 2.4      | –    | –        | V     | IO <sub>H</sub> = -6.0 mA, VDD=4.5V<br>Note 6   |
| D093  |       | OSC2/CLKOUT   | –        | –    | 12       | V     | Pulled-up to externally<br>applied voltage  |
| D094  |       | (RC and EC osc modes)   | 2.4      | –    | –        | V     | IO <sub>H</sub> = -5 mA, VDD = 4.5V   |
|   |       |   | 0.9VDD * | –    | –        | V     | IO <sub>H</sub> = -VDD/5 mA<br>(PIC17LC43/LC44 only)  |
| D100  | Cosc2 | <b>Capacitive Loading Specs<br/>on Output Pins</b><br>OSC2/CLKOUT pin | –        | –    | 25       | pF    | In EC or RC osc modes<br>when OSC2 pin is outputting<br>CLKOUT.<br>external clock is used to<br>drive OSC1. |
| D101  | CIO   | All I/O pins and OSC2<br>(in RC mode)                                 | –        | –    | 50       | pF    |   |
| D102  | CAD   | System Interface Bus<br>(PORTC, PORTD and PORTE)                      | –        | –    | 50       | pF    | In Microprocessor or<br>Extended Microcontroller<br>mode  |

\* These parameters are characterized but not tested.

† Data in "Typ" column is at 5V, 25°C unless otherwise stated. These parameters are for design guidance only and are not tested.

‡ These parameters are for design guidance only and are not tested, nor characterized.

Note 1: In RC oscillator configuration, the OSC1/CLKIN pin is a Schmitt Trigger input. It is not recommended that the PIC17CXX devices be driven with external clock in RC mode.

2: The leakage current on the MCLR pin is strongly dependent on the applied voltage level. The specified levels represent normal operating conditions. Higher leakage current may be measured at different input voltages.

3: Negative current is defined as coming out of the pin.

4: These specifications are for the programming of the on-chip program memory EPROM through the use of the table write instructions. The complete programming specifications can be found in: PIC17CXX Programming Specifications (Literature number DS30139).

5: The MCLR/VPP pin may be kept in this range at times other than programming, but is not recommended.

6: For TTL buffers, the better of the two specifications may be used.

# PIC17C4X

|                    |    |     |     |    |     |    |
|--------------------|----|-----|-----|----|-----|----|
| Applicable Devices | 42 | R42 | 42A | 43 | R43 | 44 |
|--------------------|----|-----|-----|----|-----|----|

| DC CHARACTERISTICS |                   | Standard Operating Conditions (unless otherwise stated)              |       |      |       |       |   |
|--------------------|-------------------|--|-------|------|-------|-------|---|
|                    |                   | Operating temperature<br>-40°C ≤ T <sub>A</sub> ≤ +40°C              |       |      |       |       |   |
|                    |                   | Operating voltage V <sub>DD</sub> range as described in Section 19.1 |       |      |       |       |   |
| Parameter No.      | Sym               | Characteristic   | Min   | Typ† | Max   | Units | Conditions  |
|                    |                   | <b>Internal Program Memory Programming Specs (Note 4)</b>            |       |      |       |       |   |
| D110               | V <sub>PP</sub>   | Voltage on $\overline{\text{MCLR}}/\text{VPP}$ pin                   | 12.75 | –    | 13.25 | V     | Note 5  |
| D111               | V <sub>DDP</sub>  | Supply voltage during programming                                    | 4.75  | 5.0  | 5.25  | V     |   |
| D112               | I <sub>PP</sub>   | Current into $\overline{\text{MCLR}}/\text{VPP}$ pin                 | –     | 25 ‡ | 50 ‡  | mA    |   |
| D113               | I <sub>DDP</sub>  | Supply current during programming                                    | –     | –    | 30 ‡  | mA    |   |
| D114               | T <sub>PROG</sub> | Programming pulse width  | 10    | 100  | 1000  | μs    | Terminated via internal/external interrupt or a reset |

\* These parameters are characterized but not tested.

† Data in "Typ" column is at 5V, 25°C unless otherwise stated. These parameters are for design guidance only and are not tested.

‡ These parameters are for design guidance only and are not tested, nor characterized.

Note 1: In RC oscillator configuration, the OSC1/CLKIN pin is a Schmitt Trigger input. It is not recommended that the PIC17CXX devices be driven with external clock in RC mode.

2: The leakage current on the  $\overline{\text{MCLR}}$  pin is strongly dependent on the applied voltage level. The specified levels represent normal operating conditions. Higher leakage current may be measured at different input voltages.

3: Negative current is defined as coming out of the pin.

4: These specifications are for the programming of the on-chip program memory EPROM through the use of the table write instructions. The complete programming specifications can be found in: PIC17CXX Programming Specifications (Literature number DS30139).

5: The  $\overline{\text{MCLR}}/\text{VPP}$  pin may be kept in this range at times other than programming, but is not recommended.

6: For TTL buffers, the better of the two specifications may be used.

**Note:** When using the Table Write for internal programming, the device temperature must be less than 40°C.

# PIC17C4X

Applicable Devices 42 R42 42A 43 R43 44

## 19.4 Timing Parameter Symbology

The timing parameter symbols have been created following one of the following formats:

1. TppS2ppS
2. TppS
3. TCC:ST (I<sup>2</sup>C specifications only)
4. Ts (I<sup>2</sup>C specifications only)

| <b>T</b> |           |
|----------|-----------|
| F        | Frequency |
| T        | Time      |

Lowercase symbols (pp) and their meanings:

| <b>pp</b> |  |
|-----------|--|
| ad        | Address/Data                                     |
| al        | ALE  |
| cc        | Capture1 and Capture2                            |
| ck        | CLKOUT or clock                                  |
| dt        | Data in  |
| in        | INT pin  |
| io        | I/O port   |
| mc        | $\overline{\text{MCLR}}$                         |
| oe        | $\overline{\text{OE}}$                           |
| os        | OSC1   |
| ost       | Oscillator Start-Up Timer                        |
| pwrt      | Power-Up Timer                                   |
| rb        | PORTB  |
| rd        | $\overline{\text{RD}}$                           |
| rw        | $\overline{\text{RD}}$ or $\overline{\text{WR}}$ |
| t0        | T0CKI  |
| t123      | TCLK12 and TCLK3                                 |
| wdt       | Watchdog Timer                                   |
| wr        | $\overline{\text{WR}}$                           |

Uppercase symbols and their meanings:

| <b>S</b> |                        |
|----------|------------------------|
| D        | Driven                 |
| E        | Edge                   |
| F        | Fall                   |
| H        | High                   |
| I        | Invalid (Hi-impedance) |
| L        | Low                    |
| P        | Period                 |
| R        | Rise                   |
| V        | Valid                  |
| Z        | Hi-impedance           |

**FIGURE 19-1: PARAMETER MEASUREMENT INFORMATION**

All timings are measure between high and low measurement points as indicated in the figures below.



# PIC17C4X

Applicable Devices 42 R42 42A 43 R43 44

## 19.5 Timing Diagrams and Specifications

FIGURE 19-2: EXTERNAL CLOCK TIMING



TABLE 19-2: EXTERNAL CLOCK TIMING REQUIREMENTS

| Param No. | Sym           | Characteristic                    | Min   | Typ†   | Max | Units | Conditions  |
|-----------|---------------|-----------------------------------|-------|--------|-----|-------|---|
|           | Fosc          | External CLKIN Frequency (Note 1) | DC    | —      | 8   | MHz   | EC osc mode - 08 devices (8 MHz devices)<br>- 16 devices (16 MHz devices)<br>- 25 devices (25 MHz devices)<br>- 33 devices (33 MHz devices)                               |
|           |               |                                   | DC    | —      | 16  | MHz   |   |
|           |               |                                   | DC    | —      | 25  | MHz   |   |
|           |               |                                   | DC    | —      | 33  | MHz   |   |
|           |               | Oscillator Frequency (Note 1)     | DC    | —      | 4   | MHz   | RC osc mode<br>XT osc mode - 08 devices (8 MHz devices)<br>- 16 devices (16 MHz devices)<br>- 25 devices (25 MHz devices)<br>- 33 devices (33 MHz devices)<br>LF osc mode |
| 1         | —             | 8                                 | MHz   |        |     |       |   |
| 1         | —             | 16                                | MHz   |        |     |       |   |
| 1         | —             | 25                                | MHz   |        |     |       |   |
| 1         | Tosc          | External CLKIN Period (Note 1)    | 125   | —      | —   | ns    | EC osc mode - 08 devices (8 MHz devices)<br>- 16 devices (16 MHz devices)<br>- 25 devices (25 MHz devices)<br>- 33 devices (33 MHz devices)                               |
|           |               |                                   | 62.5  | —      | —   | ns    |   |
|           |               |                                   | 40    | —      | —   | ns    |   |
|           |               |                                   | 30.3  | —      | —   | ns    |   |
|           |               | Oscillator Period (Note 1)        | 250   | —      | —   | ns    | RC osc mode<br>XT osc mode - 08 devices (8 MHz devices)<br>- 16 devices (16 MHz devices)<br>- 25 devices (25 MHz devices)<br>- 33 devices (33 MHz devices)<br>LF osc mode |
| 125       | —             | 1,000                             | ns    |        |     |       |   |
| 62.5      | —             | 1,000                             | ns    |        |     |       |   |
| 40        | —             | 1,000                             | ns    |        |     |       |   |
| 30.3      | —             | 1,000                             | ns    |        |     |       |   |
| 500       | —             | —                                 | ns    |        |     |       |   |
| 2         | Tcy           | Instruction Cycle Time (Note 1)   | 121.2 | 4/Fosc | DC  | ns    |   |
| 3         | TosL,<br>TosH | Clock in (OSC1) high or low time  | 10 ‡  | —      | —   | ns    | EC oscillator   |
| 4         | TosR,<br>TosF | Clock in (OSC1) rise or fall time | —     | —      | 5 ‡ | ns    | EC oscillator   |

† Data in "Typ" column is at 5V, 25°C unless otherwise stated. These parameters are for design guidance only and are not tested.

‡ These parameters are for design guidance only and are not tested, nor characterized.

Note 1: Instruction cycle period (Tcy) equals four times the input oscillator time base period. All specified values are based on characterization data for that particular oscillator type under standard operating conditions with the device executing code. Exceeding these specified limits may result in an unstable oscillator operation and/or higher than expected current consumption. All devices are tested to operate at "min." values with an external clock applied to the OSC1/CLKIN pin. When an external clock input is used, the "max." cycle time limit is "DC" (no clock) for all devices.



**FIGURE 19-3: CLKOUT AND I/O TIMING**



**TABLE 19-3: CLKOUT AND I/O TIMING REQUIREMENTS**

| Parameter No. | Sym      | Characteristic  | Min                      | Typ†                       | Max   | Units                     | Conditions |        |
|---------------|----------|---|--------------------------|----------------------------|-------|---------------------------|------------|--------|
| 10            | TosH2ckL | OSC1↓ to CLKOUT↓  | —                        | 15 ‡                       | 30 ‡  | ns                        | Note 1     |        |
| 11            | TosH2ckH | OSC1↓ to CLKOUT↑  | —                        | 15 ‡                       | 30 ‡  | ns                        | Note 1     |        |
| 12            | TckR     | CLKOUT rise time  | —                        | 5 ‡                        | 15 ‡  | ns                        | Note 1     |        |
| 13            | TckF     | CLKOUT fall time  | —                        | 5 ‡                        | 15 ‡  | ns                        | Note 1     |        |
| 14            | TckH2ioV | CLKOUT ↑ to Port out valid                                | PIC17CR42/42A/43/R43/44  | —                          | —     | 0.5T <sub>CY</sub> + 20 ‡ | ns         | Note 1 |
|               |          |   | PIC17LCR42/42A/43/R43/44 | —                          | —     | 0.5T <sub>CY</sub> + 50 ‡ | ns         | Note 1 |
| 15            | TioV2ckH | Port in valid before CLKOUT↑                              | PIC17CR42/42A/43/R43/44  | 0.25T <sub>CY</sub> + 25 ‡ | —     | —                         | ns         | Note 1 |
|               |          |   | PIC17LCR42/42A/43/R43/44 | 0.25T <sub>CY</sub> + 50 ‡ | —     | —                         | ns         | Note 1 |
| 16            | TckH2ioL | Port in hold after CLKOUT↑                                | 0 ‡                      | —                          | —     | ns                        | Note 1     |        |
| 17            | TosH2ioV | OSC1↓ (Q1 cycle) to Port out valid                        | —                        | —                          | 100 ‡ | ns                        |            |        |
| 18            | TosH2ioL | OSC1↓ (Q2 cycle) to Port input invalid (I/O in hold time) | 0 ‡                      | —                          | —     | ns                        |            |        |
| 19            | TioV2osH | Port input valid to OSC1↓ (I/O in setup time)             | 30 ‡                     | —                          | —     | ns                        |            |        |
| 20            | TioR     | Port output rise time                                     | —                        | 10 ‡                       | 35 ‡  | ns                        |            |        |
| 21            | TioF     | Port output fall time                                     | —                        | 10 ‡                       | 35 ‡  | ns                        |            |        |
| 22            | TinHL    | INT pin high or low time                                  | 25 *                     | —                          | —     | ns                        |            |        |
| 23            | TrbHL    | RB7:RB0 change INT high or low time                       | 25 *                     | —                          | —     | ns                        |            |        |

\* These parameters are characterized but not tested.

† Data in "Typ" column is at 5V, 25°C unless otherwise stated. These parameters are for design guidance only and are not tested.

‡ These parameters are for design guidance only and are not tested, nor characterized.

Note 1: Measurements are taken in EC Mode where CLKOUT output is 4 x T<sub>osc</sub>.

# PIC17C4X

Applicable Devices 42 R42 42A 43 R43 44

**FIGURE 19-4: RESET, WATCHDOG TIMER, OSCILLATOR START-UP TIMER, AND POWER-UP TIMER TIMING**



**TABLE 19-4: RESET, WATCHDOG TIMER, OSCILLATOR START-UP TIMER AND POWER-UP TIMER REQUIREMENTS**

| Parameter No. | Sym      | Characteristic                                  | Min   | Typ†      | Max   | Units | Conditions         |
|---------------|----------|---|-------|-----------|-------|-------|--------------------|
| 30            | Tmcl     | MCLR Pulse Width (low)                          | 100 * | —         | —     | ns    | VDD = 5V           |
| 31            | Twdt     | Watchdog Timer Time-out Period (Prescale = 1)   | 5 *   | 12        | 25 *  | ms    | VDD = 5V           |
| 32            | Tost     | Oscillation Start-up Timer Period               | —     | 1024Tosc§ | —     | ms    | Tosc = OSC1 period |
| 33            | Tpwrt    | Power-up Timer Period                           | 40 *  | 96        | 200 * | ms    | VDD = 5V           |
| 35            | Tmcl2adl | MCLR to System Interface bus (AD15:AD0) invalid | —     | —         | 100 * | ns    |                    |
|               |          |   | —     | —         | 120 * | ns    |                    |

\* These parameters are characterized but not tested.

† Data in "Typ" column is at 5V, 25°C unless otherwise stated. These parameters are for design guidance only and are not tested.

‡ These parameters are for design guidance only and are not tested, nor characterized.

§ This specification ensured by design.

**FIGURE 19-5: TIMER0 CLOCK TIMINGS**



**TABLE 19-5: TIMER0 CLOCK REQUIREMENTS**

| Parameter No. | Sym  | Characteristic         | Min   | Typ†                       | Max | Units | Conditions                             |
|---------------|------|------------------------|---|----------------------------|-----|-------|--|
| 40            | Tt0H | T0CKI High Pulse Width | No Prescaler  | $0.5T_{CY} + 20 \text{ §}$ | —   | —     | ns                                     |
|               |      | With Prescaler         | 10*   | —                          | —   | ns    |  |
| 41            | Tt0L | T0CKI Low Pulse Width  | No Prescaler  | $0.5T_{CY} + 20 \text{ §}$ | —   | —     | ns                                     |
|               |      | With Prescaler         | 10*   | —                          | —   | ns    |  |
| 42            | Tt0P | T0CKI Period           | Greater of:<br>$20 \text{ ns}$ or $\frac{T_{CY} + 40 \text{ §}}{N}$ | —                          | —   | ns    | N = prescale value (1, 2, 4, ..., 256) |

\* These parameters are characterized but not tested.

† Data in "Typ" column is at 5V, 25°C unless otherwise stated. These parameters are for design guidance only and are not tested.

§ This specification ensured by design.

**FIGURE 19-6: TIMER1, TIMER2, AND TIMER3 CLOCK TIMINGS**



**TABLE 19-6: TIMER1, TIMER2, AND TIMER3 CLOCK REQUIREMENTS**

| Parameter No. | Sym       | Characteristic   | Min                               | Typ† | Max                  | Units | Conditions                      |
|---------------|-----------|--|-----------------------------------|------|----------------------|-------|---------------------------------|
| 45            | Tt123H    | TCLK12 and TCLK3 high time                                 | $0.5T_{CY} + 20 \text{ §}$        | —    | —                    | ns    |                                 |
| 46            | Tt123L    | TCLK12 and TCLK3 low time                                  | $0.5T_{CY} + 20 \text{ §}$        | —    | —                    | ns    |                                 |
| 47            | Tt123P    | TCLK12 and TCLK3 input period                              | $\frac{T_{CY} + 40 \text{ §}}{N}$ | —    | —                    | ns    | N = prescale value (1, 2, 4, 8) |
| 48            | TckE2tmr1 | Delay from selected External Clock Edge to Timer increment | $2T_{OSC} \text{ §}$              |      | $6T_{OSC} \text{ §}$ |       |                                 |

\* These parameters are characterized but not tested.

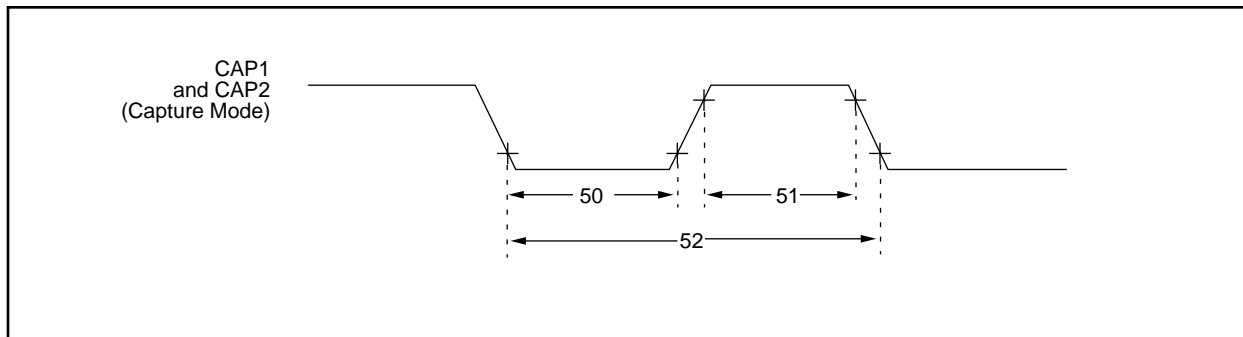
† Data in "Typ" column is at 5V, 25°C unless otherwise stated. These parameters are for design guidance only and are not tested.

§ This specification ensured by design.

# PIC17C4X

Applicable Devices 42 R42 42A 43 R43 44

**FIGURE 19-7: CAPTURE TIMINGS**



**TABLE 19-7: CAPTURE REQUIREMENTS**

| Parameter No. | Sym  | Characteristic                        | Min                | Typ† | Max | Units | Conditions                   |
|---------------|------|---------------------------------------|--------------------|------|-----|-------|------------------------------|
| 50            | TccL | Capture1 and Capture2 input low time  | 10 *               | —    | —   | ns    |                              |
| 51            | TccH | Capture1 and Capture2 input high time | 10 *               | —    | —   | ns    |                              |
| 52            | TccP | Capture1 and Capture2 input period    | $\frac{2Tcy}{N}$ § | —    | —   | ns    | N = prescale value (4 or 16) |

\* These parameters are characterized but not tested.

† Data in "Typ" column is at 5V, 25°C unless otherwise stated. These parameters are for design guidance only and are not tested.

§ This specification ensured by design.

**FIGURE 19-8: PWM TIMINGS**



**TABLE 19-8: PWM REQUIREMENTS**

| Parameter No. | Sym  | Characteristic                 | Min | Typ† | Max   | Units | Conditions |
|---------------|------|--------------------------------|-----|------|-------|-------|------------|
| 53            | TccR | PWM1 and PWM2 output rise time | —   | 10 * | 35 *§ | ns    |            |
| 54            | TccF | PWM1 and PWM2 output fall time | —   | 10 * | 35 *§ | ns    |            |

\* These parameters are characterized but not tested.

† Data in "Typ" column is at 5V, 25°C unless otherwise stated. These parameters are for design guidance only and are not tested.

§ This specification ensured by design.

**FIGURE 19-9: USART MODULE: SYNCHRONOUS TRANSMISSION (MASTER/SLAVE) TIMING**



**TABLE 19-9: SYNCHRONOUS TRANSMISSION REQUIREMENTS**

| Param No. | Sym      | Characteristic                                  | Min                      | Typ† | Max | Units | Conditions |  |
|-----------|----------|---|--------------------------|------|-----|-------|------------|--|
| 120       | TckH2dtV | SYNC XMIT (MASTER & SLAVE)                      | —                        | —    | 50  | ns    |            |  |
|           |          | Clock high to data out valid                    |                          |      |     |       |            |  |
| 121       | TckRF    | Clock out rise time and fall time (Master Mode) | PIC17CR42/42A/43/R43/44  | —    | —   | 25    | ns         |  |
|           |          |   | PIC17LCR42/42A/43/R43/44 | —    | —   | 40    | ns         |  |
| 122       | TdtRF    | Data out rise time and fall time                | PIC17CR42/42A/43/R43/44  | —    | —   | 25    | ns         |  |
|           |          |   | PIC17LCR42/42A/43/R43/44 | —    | —   | 40    | ns         |  |

† Data in "Typ" column is at 5V, 25°C unless otherwise stated. These parameters are for design guidance only and are not tested.

**FIGURE 19-10: USART MODULE: SYNCHRONOUS RECEIVE (MASTER/SLAVE) TIMING**



**TABLE 19-10: SYNCHRONOUS RECEIVE REQUIREMENTS**

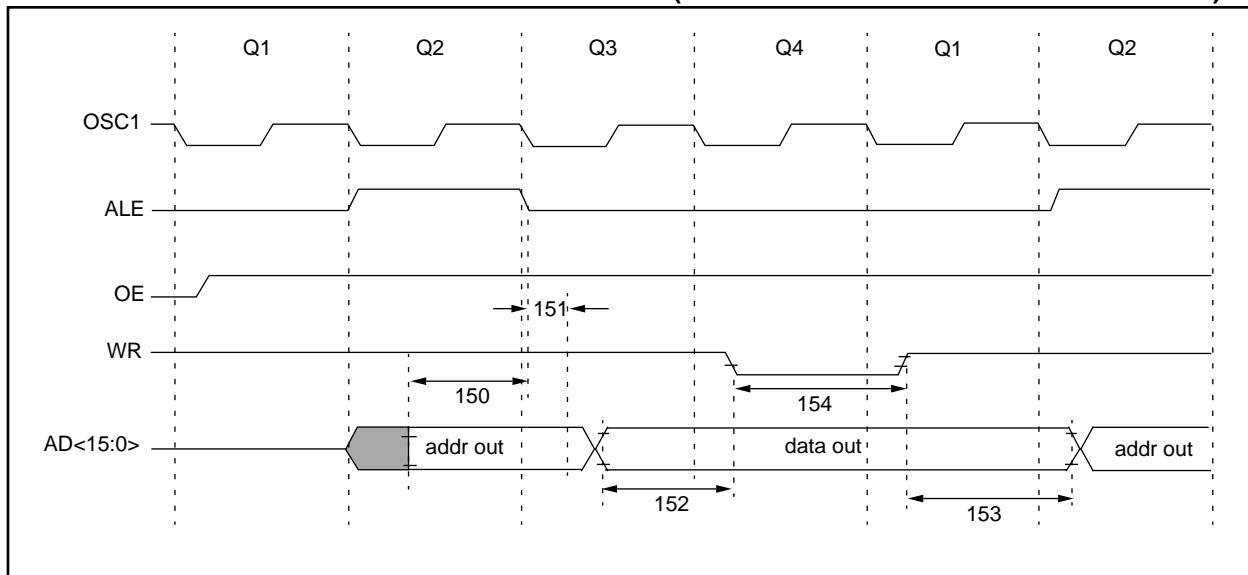
| Parameter No. | Sym      | Characteristic   | Min | Typ† | Max | Units | Conditions |
|---------------|----------|--|-----|------|-----|-------|------------|
| 125           | TdtV2ckL | SYNC RCV (MASTER & SLAVE)<br>Data hold before CK↓ (DT hold time) | 15  | —    | —   | ns    |            |
| 126           | TckL2dtl | Data hold after CK↓ (DT hold time)                               | 15  | —    | —   | ns    |            |

† Data in "Typ" column is at 5V, 25°C unless otherwise stated. These parameters are for design guidance only and are not tested.

# PIC17C4X

Applicable Devices 42 R42 42A 43 R43 44

**FIGURE 19-11: MEMORY INTERFACE WRITE TIMING (NOT SUPPORTED IN PIC17LC4X DEVICES)**



**TABLE 19-11: MEMORY INTERFACE WRITE REQUIREMENTS (NOT SUPPORTED IN PIC17LC4X DEVICES)**

| Parameter No. | Sym      | Characteristic  | Min          | Typ†      | Max | Units | Conditions |
|---------------|----------|---|--------------|-----------|-----|-------|------------|
| 150           | TadV2a1L | AD<15:0> (address) valid to ALE↓ (address setup time) | 0.25Tcy - 10 | —         | —   | ns    |            |
| 151           | Ta1L2ad1 | ALE↓ to address out invalid (address hold time)       | 0            | —         | —   | ns    |            |
| 152           | TadV2wrL | Data out valid to WR↓ (data setup time)               | 0.25Tcy - 40 | —         | —   | ns    |            |
| 153           | TwrH2ad1 | WR↑ to data out invalid (data hold time)              | —            | 0.25TCY § | —   | ns    |            |
| 154           | TwrL     | WR pulse width  | —            | 0.25TCY § | —   | ns    |            |

\* These parameters are characterized but not tested.

† Data in "Typ" column is at 5V, 25°C unless otherwise stated. These parameters are for design guidance only and are not tested.

§ This specification ensured by design.

**FIGURE 19-12: MEMORY INTERFACE READ TIMING (NOT SUPPORTED IN PIC17LC4X DEVICES)**



**TABLE 19-12: MEMORY INTERFACE READ REQUIREMENTS (NOT SUPPORTED IN PIC17LC4X DEVICES)**

| Parameter No. | Sym      | Characteristic  | Min           | Typ†      | Max          | Units | Conditions |
|---------------|----------|---|---------------|-----------|--------------|-------|------------|
| 150           | TadV2a1L | AD15:AD0 (address) valid to ALE↓ (address setup time) | 0.25Tcy - 10  | —         | —            | ns    |            |
| 151           | Ta1L2ad1 | ALE↓ to address out invalid (address hold time)       | 5*            | —         | —            | ns    |            |
| 160           | TadZ2oeL | AD15:AD0 hi-impedance to OE↓                          | 0*            | —         | —            | ns    |            |
| 161           | ToeH2adD | OE↑ to AD15:AD0 driven                                | 0.25Tcy - 15  | —         | —            | ns    |            |
| 162           | TadV2oeH | Data in valid before OE↑ (data setup time)            | 35            | —         | —            | ns    |            |
| 163           | ToeH2ad1 | OE↑ to data in invalid (data hold time)               | 0             | —         | —            | ns    |            |
| 164           | Ta1H     | ALE pulse width                                       | —             | 0.25Tcy § | —            | ns    |            |
| 165           | ToeL     | OE pulse width  | 0.5Tcy - 35 § | —         | —            | ns    |            |
| 166           | Ta1H2a1H | ALE↑ to ALE↑ (cycle time)                             | —             | Tcy §     | —            | ns    |            |
| 167           | Tacc     | Address access time                                   | —             | —         | 0.75Tcy - 30 | ns    |            |
| 168           | Toe      | Output enable access time (OE low to Data Valid)      | —             | —         | 0.5Tcy - 45  | ns    |            |

\* These parameters are characterized but not tested.

† Data in "Typ" column is at 5V, 25°C unless otherwise stated. These parameters are for design guidance only and are not tested.

§ This specification ensured by design.

# PIC17C4X

---

NOTES:



## 20.0 PIC17CR42/42A/43/R43/44 DC AND AC CHARACTERISTICS

The graphs and tables provided in this section are for design guidance and are not tested nor guaranteed. In some graphs or tables the data presented is outside specified operating range (e.g. outside specified  $V_{DD}$  range). This is for information only and devices are ensured to operate properly only within the specified range.

The data presented in this section is a statistical summary of data collected on units from different lots over a period of time. "Typical" represents the mean of the distribution while "max" or "min" represents  $(\text{mean} + 3\sigma)$  and  $(\text{mean} - 3\sigma)$  respectively where  $\sigma$  is standard deviation.

**TABLE 20-1: PIN CAPACITANCE PER PACKAGE TYPE**

| Pin Name  | Typical Capacitance (pF) |             |             |             |
|---|--------------------------|-------------|-------------|-------------|
|   | 40-pin DIP               | 44-pin PLCC | 44-pin MQFP | 44-pin TQFP |
| All pins, except $\overline{\text{MCLR}}$ , $V_{DD}$ , and $V_{SS}$ | 10                       | 10          | 10          | 10          |
| $\overline{\text{MCLR}}$ pin  | 20                       | 20          | 20          | 20          |

**FIGURE 20-1: TYPICAL RC OSCILLATOR FREQUENCY vs. TEMPERATURE**



# PIC17C4X

Applicable Devices 42 R42 42A 43 R43 44

FIGURE 20-2: TYPICAL RC OSCILLATOR FREQUENCY vs. VDD

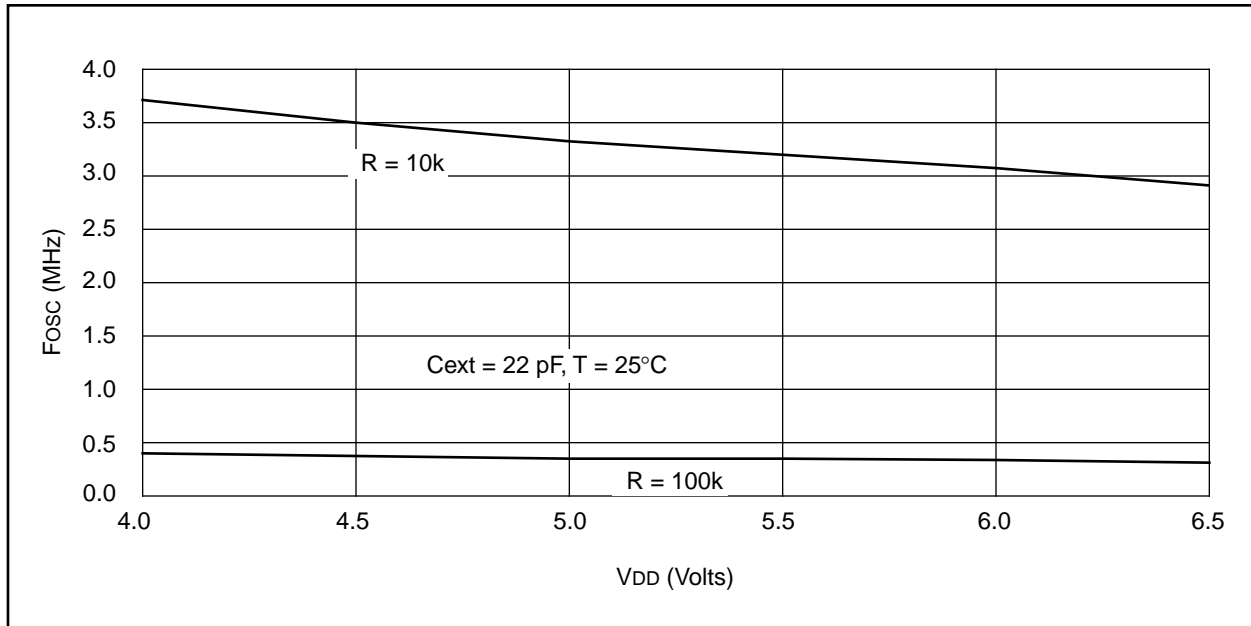
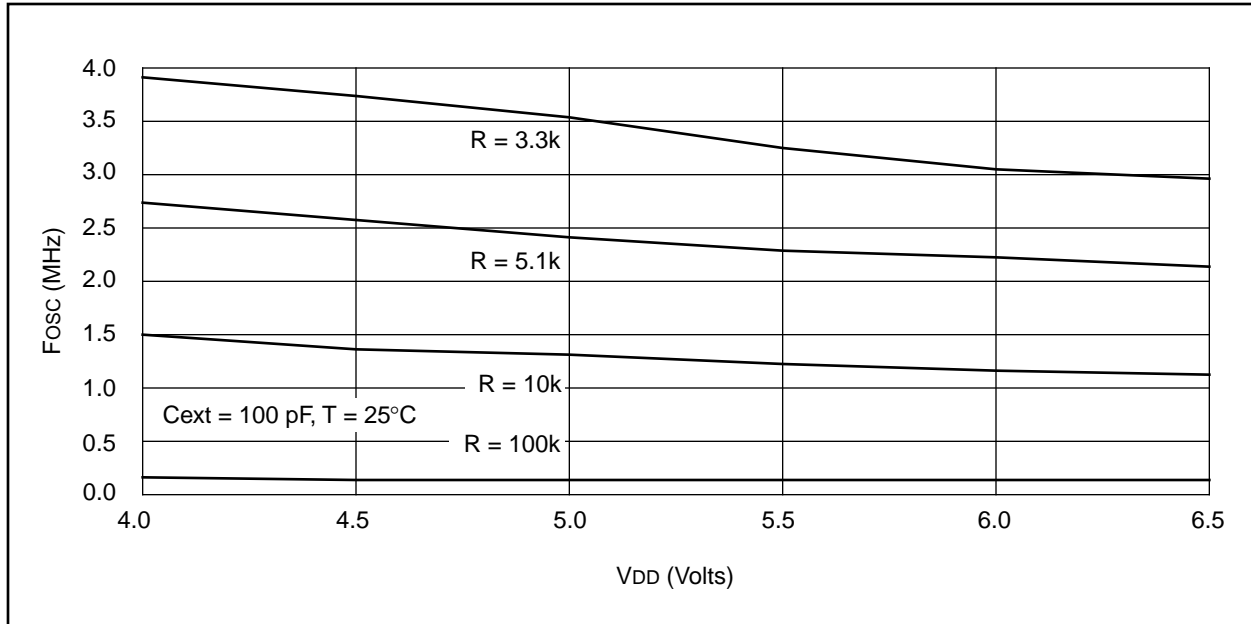
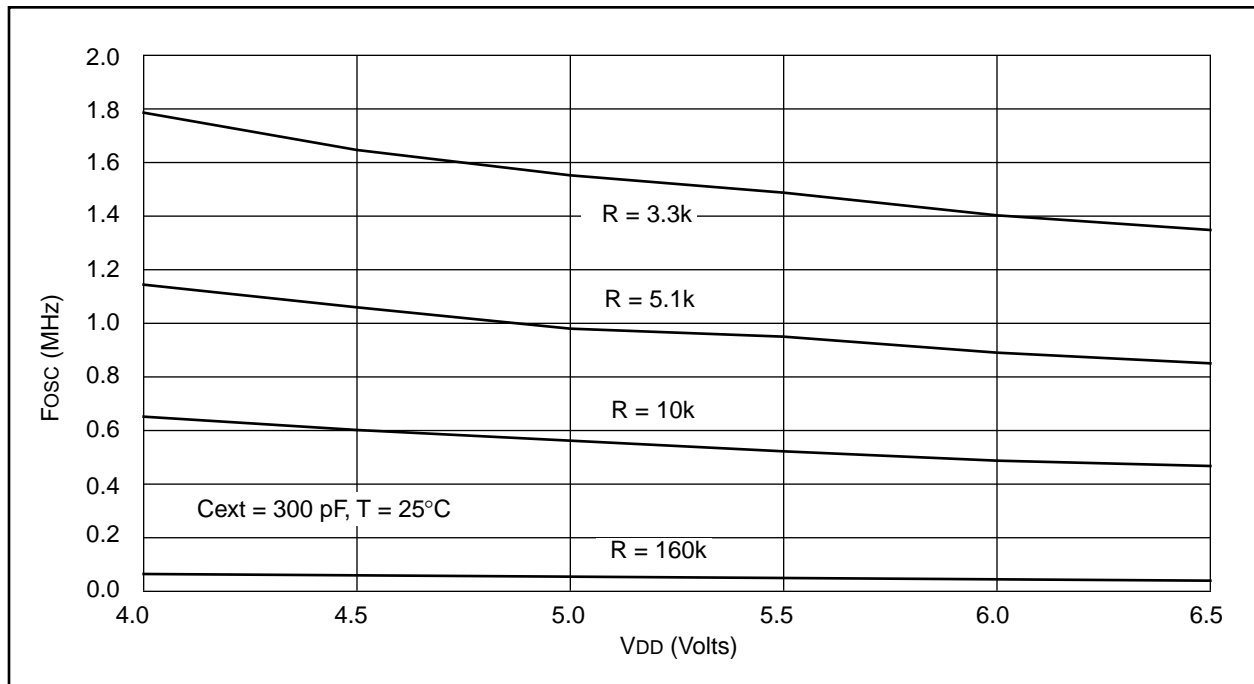


FIGURE 20-3: TYPICAL RC OSCILLATOR FREQUENCY vs. VDD



**FIGURE 20-4: TYPICAL RC OSCILLATOR FREQUENCY vs. VDD**



**TABLE 20-2: RC OSCILLATOR FREQUENCIES**

| Cext   | Rext | Average Fosc @ 5V, 25°C |           |
|--------|------|-------------------------|-----------|
|        |      | Fosc (MHz)              | Tolerance |
| 22 pF  | 10k  | 3.33 MHz                | ± 12%     |
|        | 100k | 353 kHz                 | ± 13%     |
| 100 pF | 3.3k | 3.54 MHz                | ± 10%     |
|        | 5.1k | 2.43 MHz                | ± 14%     |
|        | 10k  | 1.30 MHz                | ± 17%     |
|        | 100k | 129 kHz                 | ± 10%     |
| 300 pF | 3.3k | 1.54 MHz                | ± 14%     |
|        | 5.1k | 980 kHz                 | ± 12%     |
|        | 10k  | 564 kHz                 | ± 16%     |
|        | 160k | 35 kHz                  | ± 18%     |

# PIC17C4X

Applicable Devices 42 R42 42A 43 R43 44

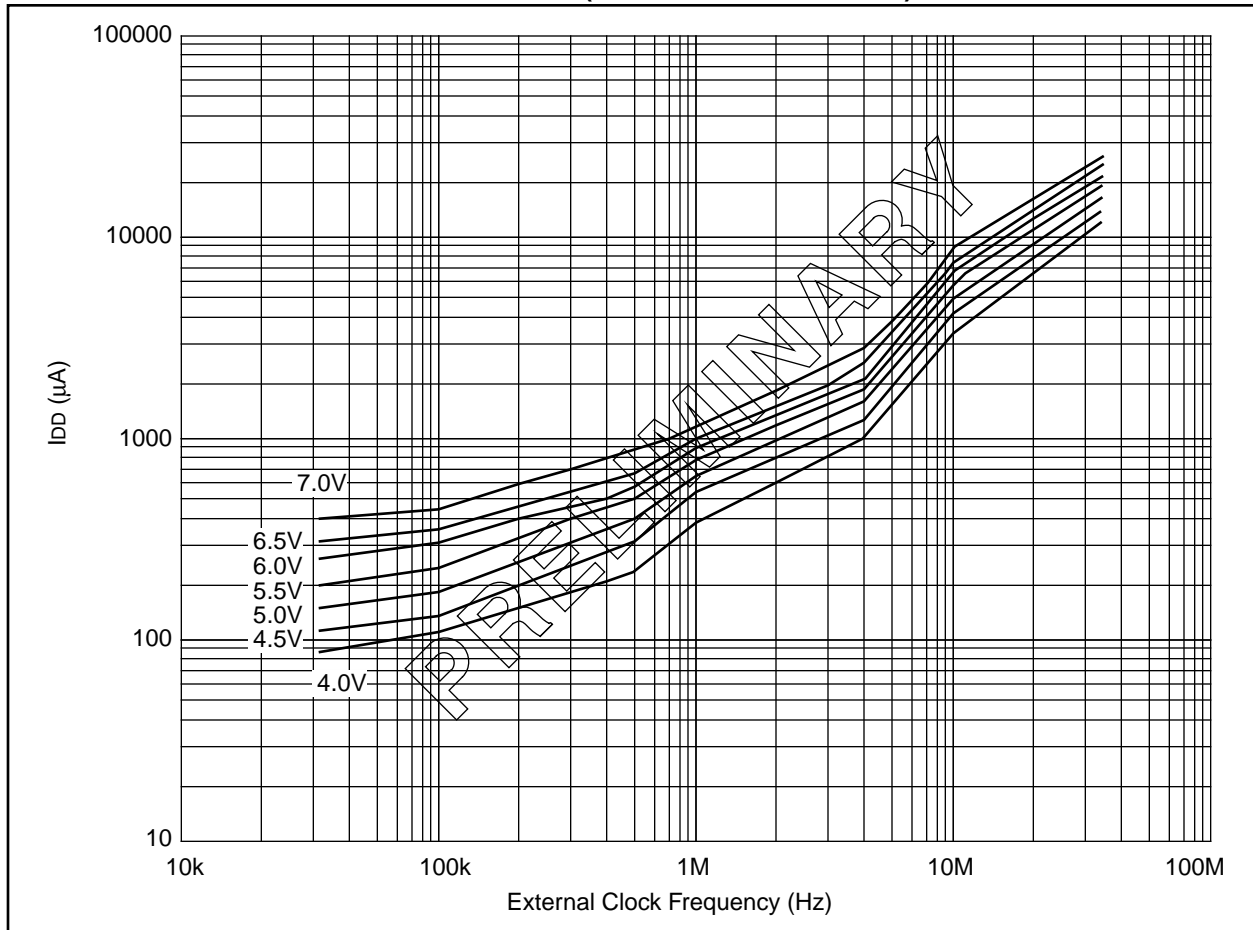
FIGURE 20-5: TRANSCONDUCTANCE (gm) OF LF OSCILLATOR vs. VDD



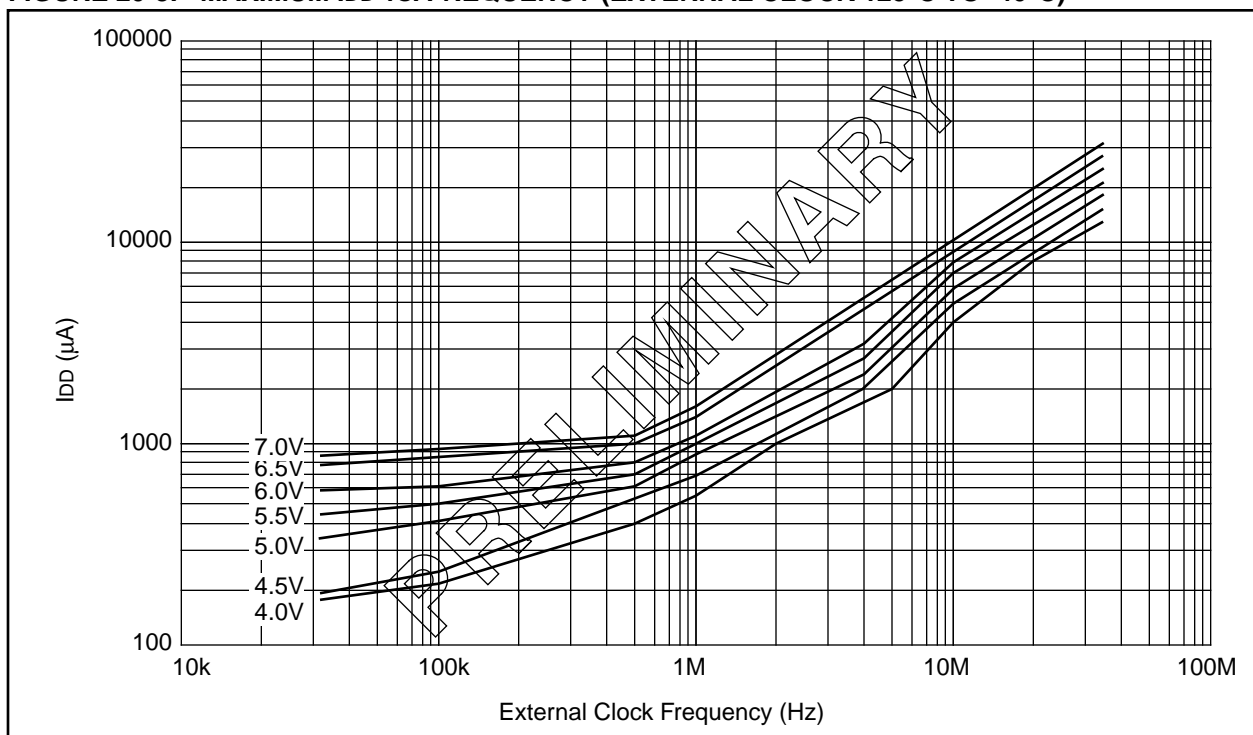
FIGURE 20-6: TRANSCONDUCTANCE (gm) OF XT OSCILLATOR vs. VDD



**FIGURE 20-7: TYPICAL  $I_{DD}$  vs. FREQUENCY (EXTERNAL CLOCK 25°C)**



**FIGURE 20-8: MAXIMUM  $I_{DD}$  vs. FREQUENCY (EXTERNAL CLOCK 125°C TO -40°C)**



# PIC17C4X

Applicable Devices 42 R42 42A 43 R43 44

FIGURE 20-9: TYPICAL  $I_{PD}$  vs.  $V_{DD}$  WATCHDOG DISABLED 25°C

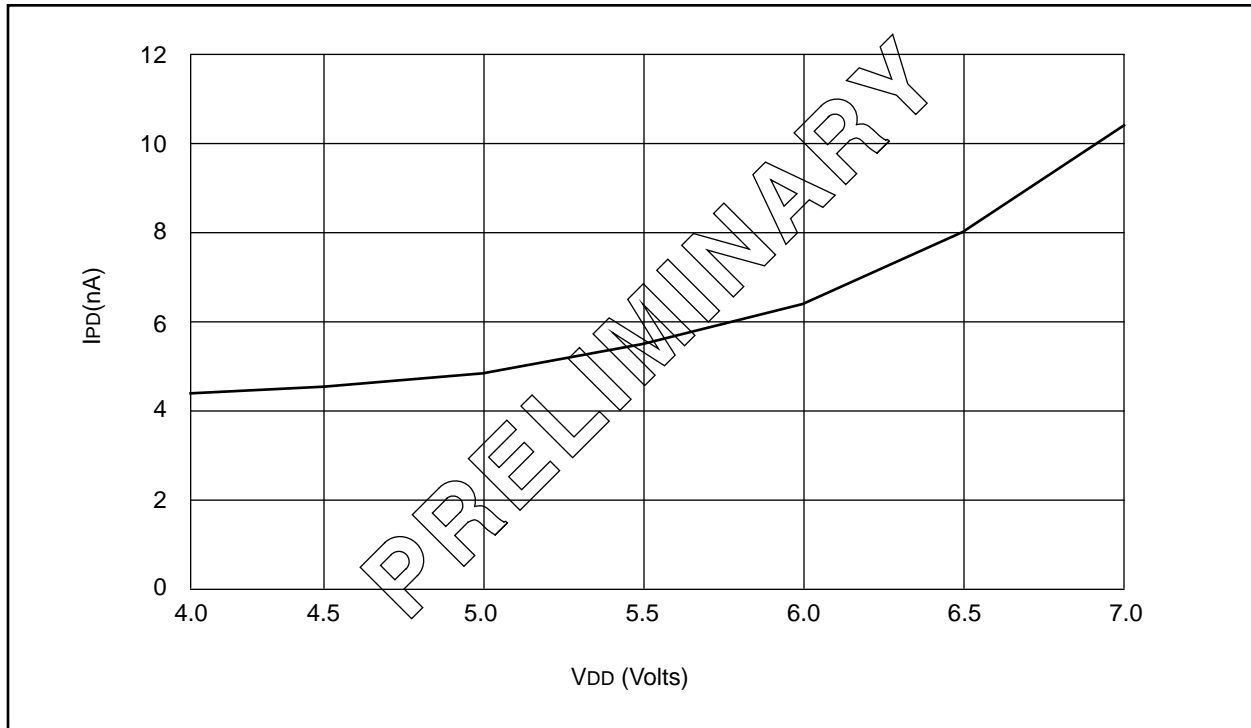
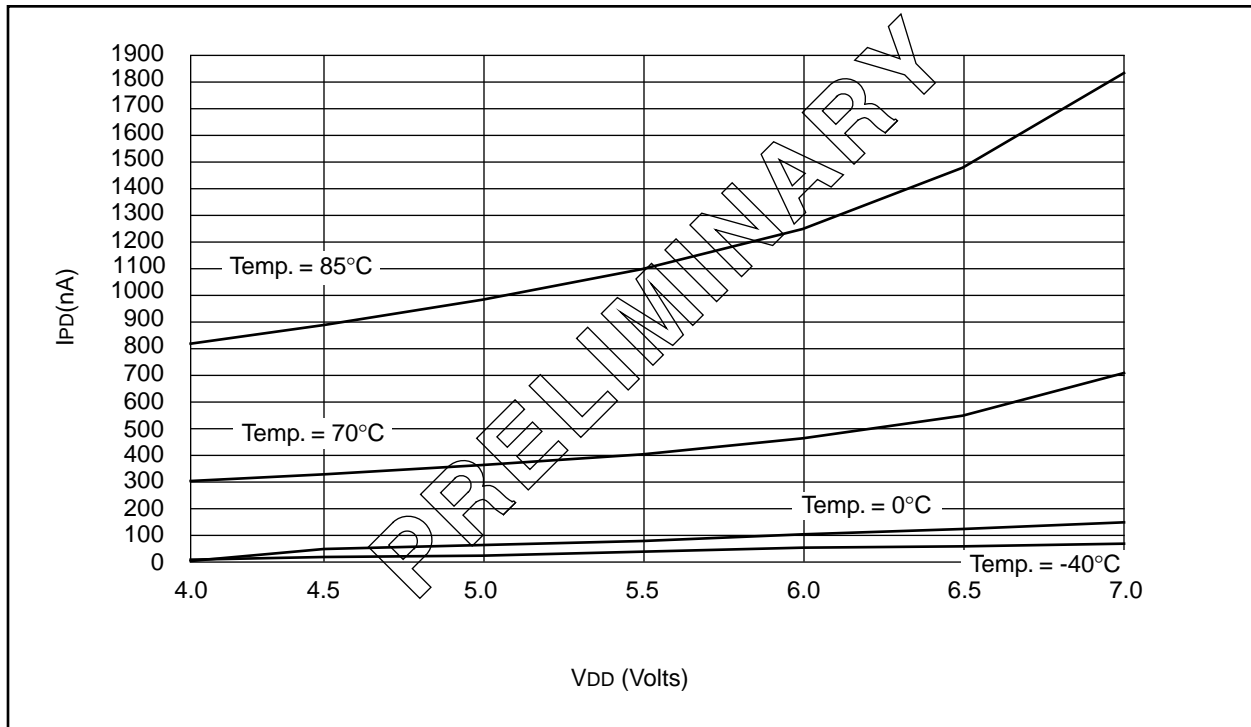


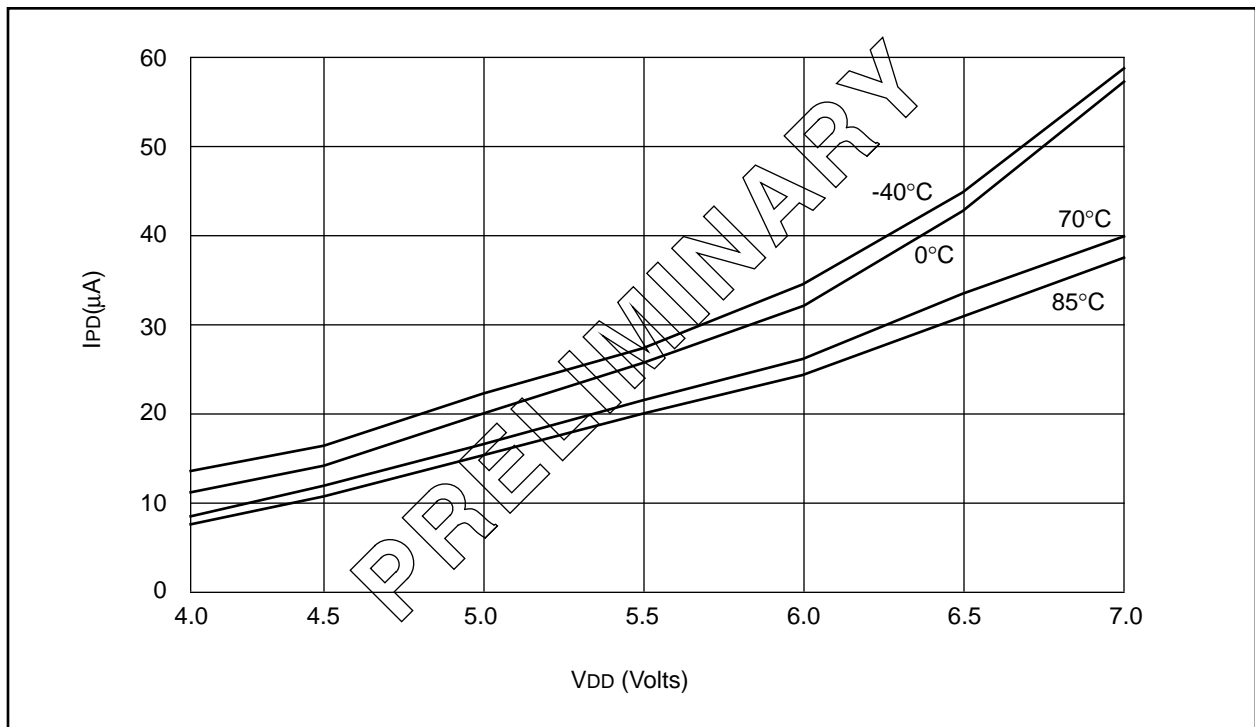
FIGURE 20-10: MAXIMUM  $I_{PD}$  vs.  $V_{DD}$  WATCHDOG DISABLED



**FIGURE 20-11: TYPICAL  $I_{PD}$  vs.  $V_{DD}$  WATCHDOG ENABLED 25°C**



**FIGURE 20-12: MAXIMUM  $I_{PD}$  vs.  $V_{DD}$  WATCHDOG ENABLED**



# PIC17C4X

Applicable Devices 42 R42 42A 43 R43 44

FIGURE 20-13: WDT TIMER TIME-OUT PERIOD vs. VDD



FIGURE 20-14: I<sub>OH</sub> vs. V<sub>OH</sub>, VDD = 3V





FIGURE 20-15:  $I_{OH}$  vs.  $V_{OH}$ ,  $V_{DD} = 5V$

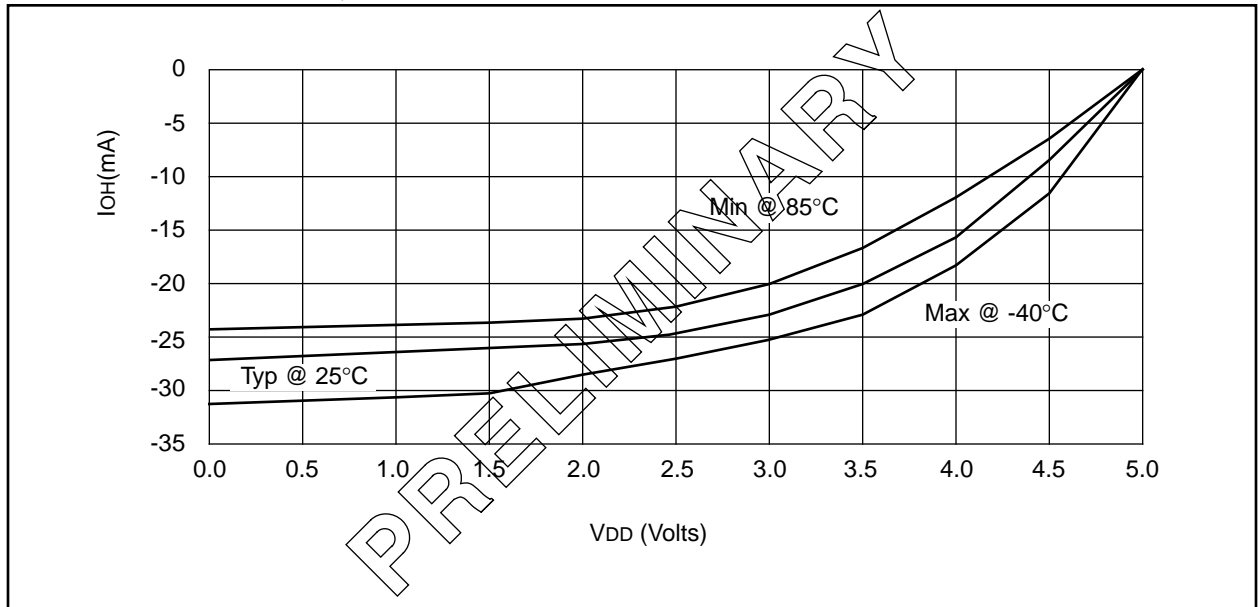
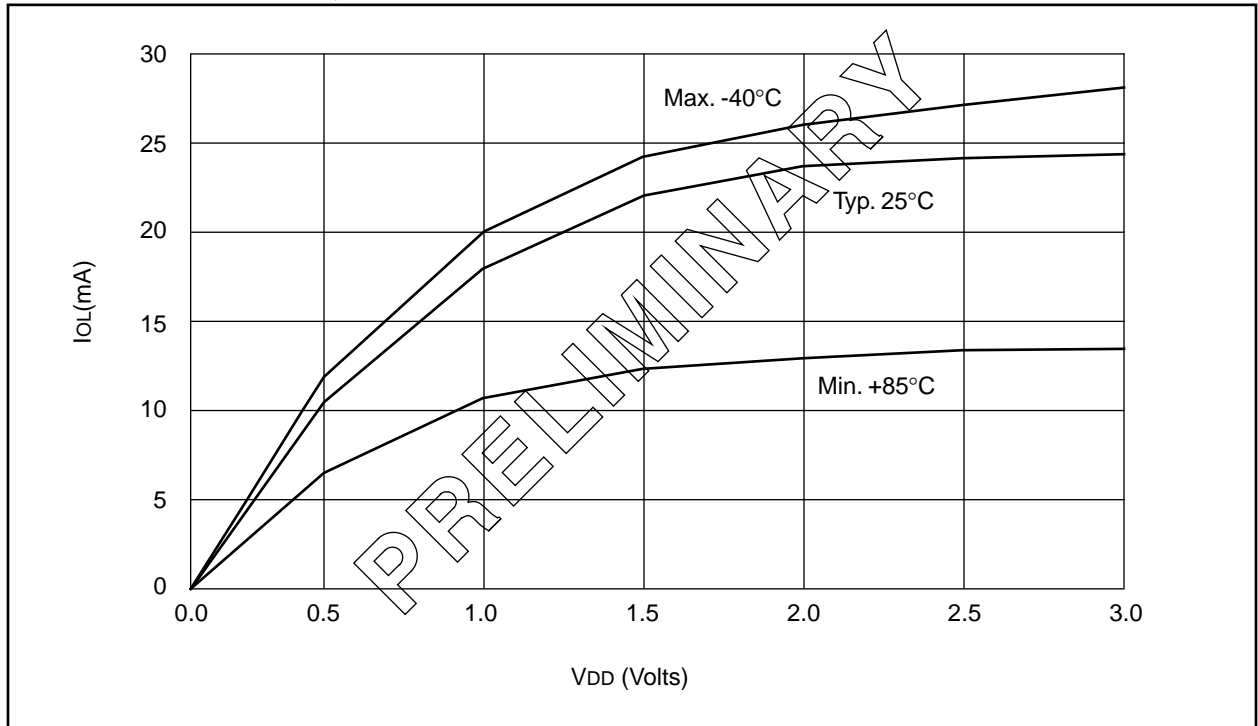


FIGURE 20-16:  $I_{OL}$  vs.  $V_{OL}$ ,  $V_{DD} = 3V$



# PIC17C4X

Applicable Devices 42 R42 42A 43 R43 44

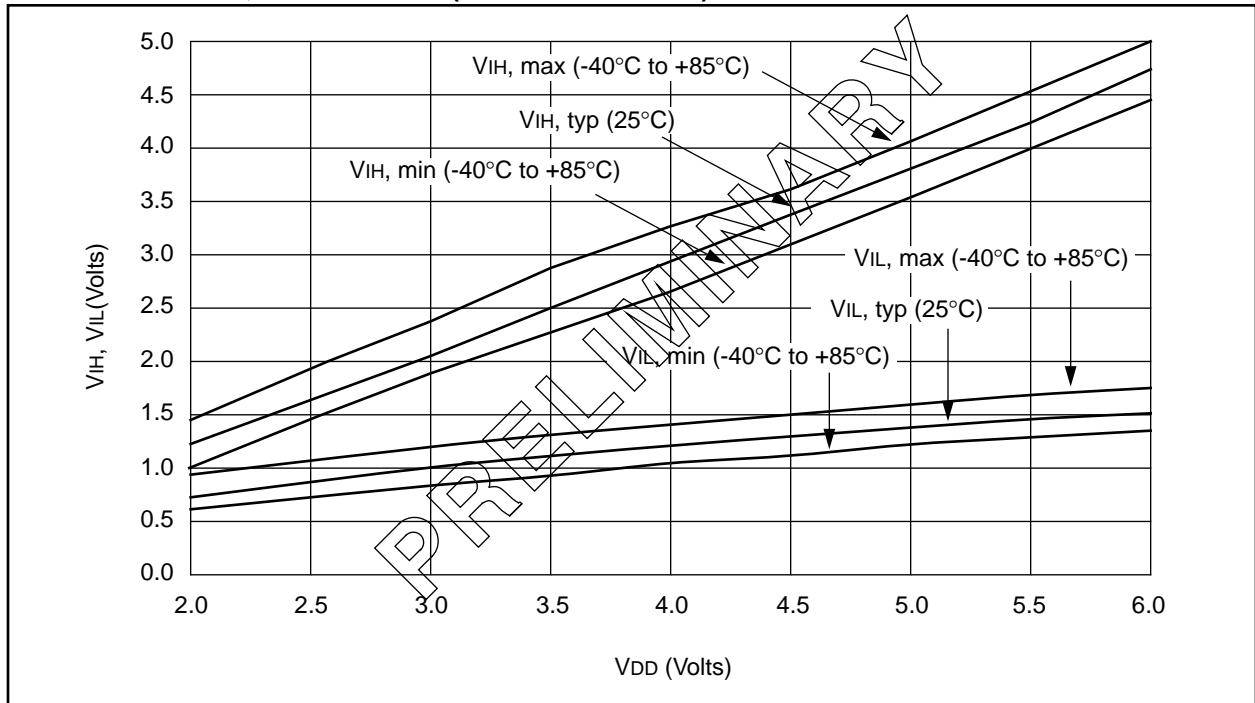
FIGURE 20-17:  $I_{OH}$  vs.  $V_{OL}$ ,  $V_{DD} = 5V$



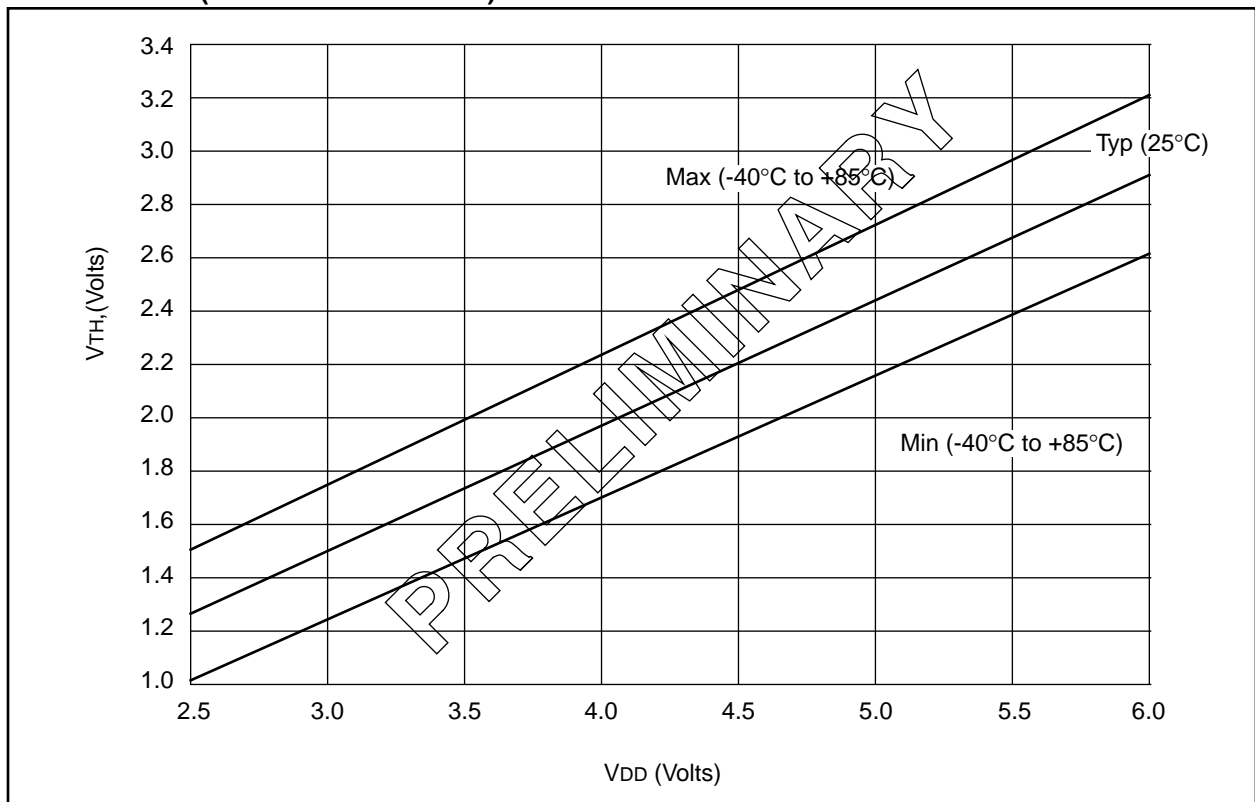
FIGURE 20-18:  $V_{TH}$  (INPUT THRESHOLD VOLTAGE) OF I/O PINS (TTL) vs.  $V_{DD}$



**FIGURE 20-19:  $V_{TH}$ ,  $V_{IL}$  of I/O PINS (SCHMITT TRIGGER) vs.  $V_{DD}$**



**FIGURE 20-20:  $V_{TH}$  (INPUT THRESHOLD VOLTAGE) OF OSC1 INPUT (IN XT AND LF MODES) vs.  $V_{DD}$**



# PIC17C4X

---

NOTES:

## 21.0 PACKAGING INFORMATION

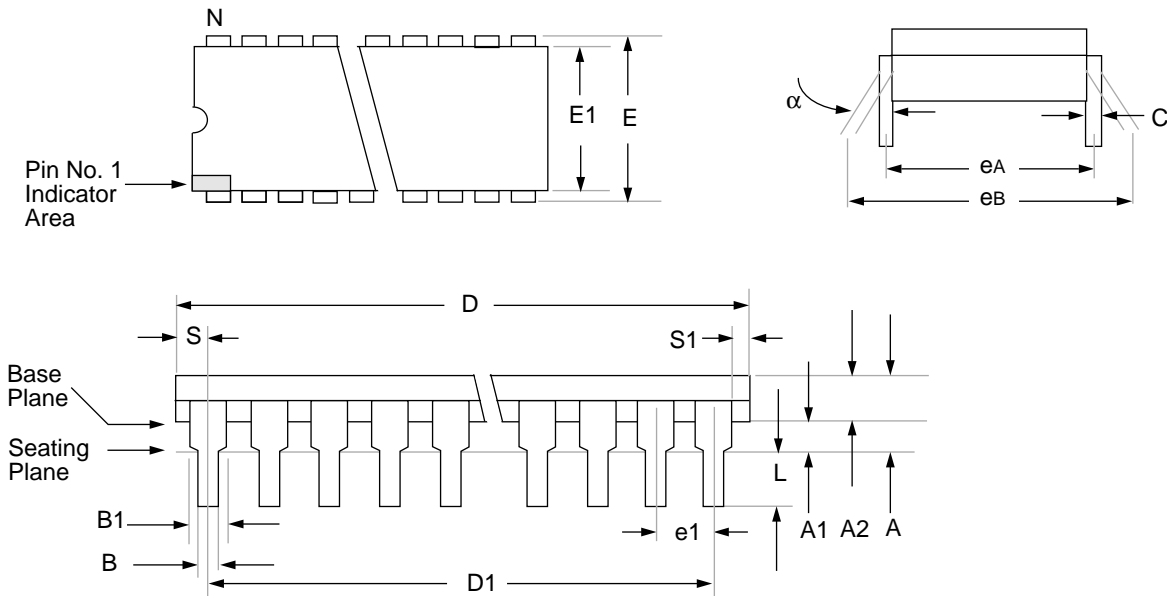
### 21.1 40-Lead Ceramic CERDIP Dual In-line, and CERDIP Dual In-line with Window (600 mil)



| Package Group: Ceramic CERDIP Dual In-Line (CDP) |             |        |           |        |       |           |
|--|-------------|--------|-----------|--------|-------|-----------|
| Symbol   | Millimeters |        |           | Inches |       |           |
|  | Min         | Max    | Notes     | Min    | Max   | Notes     |
| $\alpha$   | 0°          | 10°    |           | 0°     | 10°   |           |
| A  | 4.318       | 5.715  |           | 0.170  | 0.225 |           |
| A1   | 0.381       | 1.778  |           | 0.015  | 0.070 |           |
| A2   | 3.810       | 4.699  |           | 0.150  | 0.185 |           |
| A3   | 3.810       | 4.445  |           | 0.150  | 0.175 |           |
| B  | 0.355       | 0.585  |           | 0.014  | 0.023 |           |
| B1   | 1.270       | 1.651  | Typical   | 0.050  | 0.065 | Typical   |
| C  | 0.203       | 0.381  | Typical   | 0.008  | 0.015 | Typical   |
| D  | 51.435      | 52.705 |           | 2.025  | 2.075 |           |
| D1   | 48.260      | 48.260 | Reference | 1.900  | 1.900 | Reference |
| E  | 15.240      | 15.875 |           | 0.600  | 0.625 |           |
| E1   | 12.954      | 15.240 |           | 0.510  | 0.600 |           |
| e1   | 2.540       | 2.540  | Reference | 0.100  | 0.100 | Reference |
| eA   | 14.986      | 16.002 | Typical   | 0.590  | 0.630 | Typical   |
| eB   | 15.240      | 18.034 |           | 0.600  | 0.710 |           |
| L  | 3.175       | 3.810  |           | 0.125  | 0.150 |           |
| N  | 40          | 40     |           | 40     | 40    |           |
| S  | 1.016       | 2.286  |           | 0.040  | 0.090 |           |
| S1   | 0.381       | 1.778  |           | 0.015  | 0.070 |           |

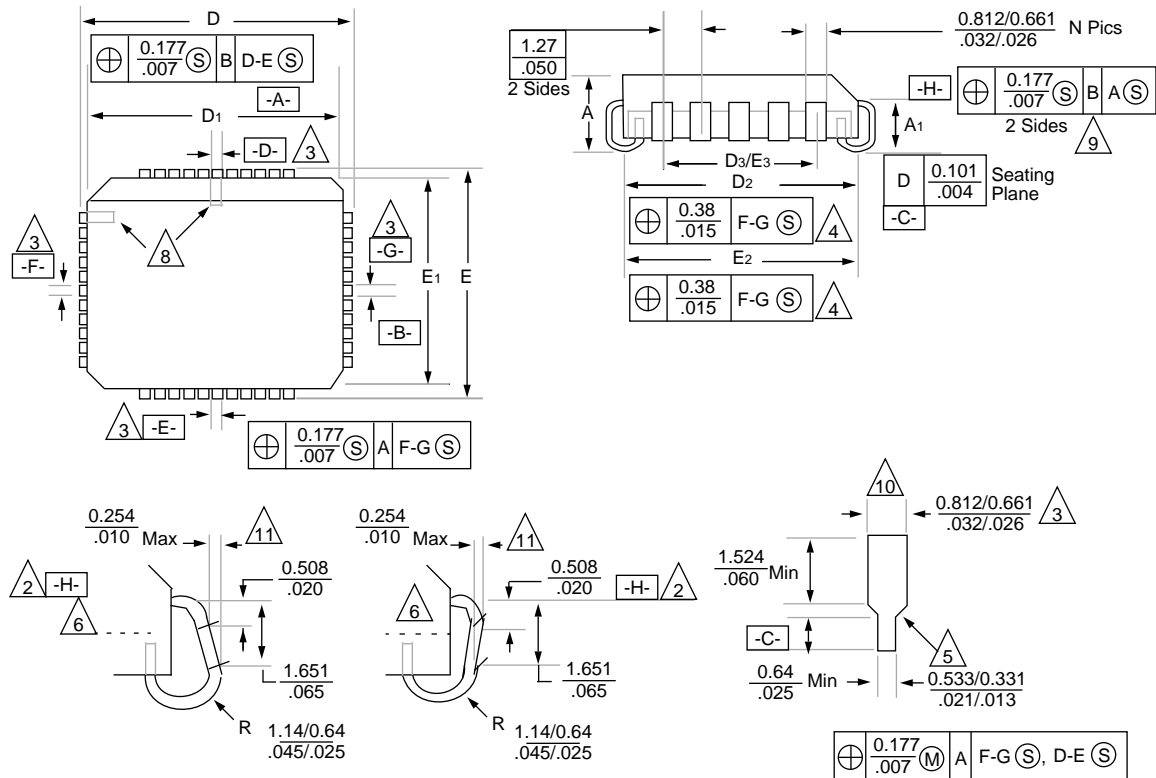
# PIC17C4X

## 21.2 40-Lead Plastic Dual In-line (600 mil)



| Package Group: Plastic Dual In-Line (PLA) |             |        |           |        |       |           |
|---|-------------|--------|-----------|--------|-------|-----------|
| Symbol                                    | Millimeters |        |           | Inches |       |           |
|   | Min         | Max    | Notes     | Min    | Max   | Notes     |
| $\alpha$                                  | 0°          | 10°    |           | 0°     | 10°   |           |
| A   | –           | 5.080  |           | –      | 0.200 |           |
| A1  | 0.381       | –      |           | 0.015  | –     |           |
| A2  | 3.175       | 4.064  |           | 0.125  | 0.160 |           |
| B   | 0.355       | 0.559  |           | 0.014  | 0.022 |           |
| B1  | 1.270       | 1.778  | Typical   | 0.050  | 0.070 | Typical   |
| C   | 0.203       | 0.381  | Typical   | 0.008  | 0.015 | Typical   |
| D   | 51.181      | 52.197 |           | 2.015  | 2.055 |           |
| D1  | 48.260      | 48.260 | Reference | 1.900  | 1.900 | Reference |
| E   | 15.240      | 15.875 |           | 0.600  | 0.625 |           |
| E1  | 13.462      | 13.970 |           | 0.530  | 0.550 |           |
| e1  | 2.489       | 2.591  | Typical   | 0.098  | 0.102 | Typical   |
| eA  | 15.240      | 15.240 | Reference | 0.600  | 0.600 | Reference |
| eB  | 15.240      | 17.272 |           | 0.600  | 0.680 |           |
| L   | 2.921       | 3.683  |           | 0.115  | 0.145 |           |
| N   | 40          | 40     |           | 40     | 40    |           |
| S   | 1.270       | –      |           | 0.050  | –     |           |
| S1  | 0.508       | –      |           | 0.020  | –     |           |

## 21.3 44-Lead Plastic Leaded Chip Carrier (Square)



| Package Group: Plastic Leaded Chip Carrier (PLCC) |             |        |           |        |       |           |
|---|-------------|--------|-----------|--------|-------|-----------|
| Symbol  | Millimeters |        |           | Inches |       |           |
|   | Min         | Max    | Notes     | Min    | Max   | Notes     |
| A   | 4.191       | 4.572  |           | 0.165  | 0.180 |           |
| A1  | 2.413       | 2.921  |           | 0.095  | 0.115 |           |
| D   | 17.399      | 17.653 |           | 0.685  | 0.695 |           |
| D1  | 16.510      | 16.663 |           | 0.650  | 0.656 |           |
| D2  | 15.494      | 16.002 |           | 0.610  | 0.630 |           |
| D3  | 12.700      | 12.700 | Reference | 0.500  | 0.500 | Reference |
| E   | 17.399      | 17.653 |           | 0.685  | 0.695 |           |
| E1  | 16.510      | 16.663 |           | 0.650  | 0.656 |           |
| E2  | 15.494      | 16.002 |           | 0.610  | 0.630 |           |
| E3  | 12.700      | 12.700 | Reference | 0.500  | 0.500 | Reference |
| N   | 44          | 44     |           | 44     | 44    |           |
| CP  | —           | 0.102  |           | —      | 0.004 |           |
| LT  | 0.203       | 0.381  |           | 0.008  | 0.015 |           |

# PIC17C4X

## 21.4 44-Lead Plastic Surface Mount (MQFP 10x10 mm Body 1.6/0.15 mm Lead Form)



| Package Group: Plastic MQFP |             |        |           |        |       |           |
|-----------------------------|-------------|--------|-----------|--------|-------|-----------|
| Symbol                      | Millimeters |        |           | Inches |       |           |
|                             | Min         | Max    | Notes     | Min    | Max   | Notes     |
| $\alpha$                    | 0°          | 7°     |           | 0°     | 7°    |           |
| A                           | 2.000       | 2.350  |           | 0.078  | 0.093 |           |
| A1                          | 0.050       | 0.250  |           | 0.002  | 0.010 |           |
| A2                          | 1.950       | 2.100  |           | 0.768  | 0.083 |           |
| b                           | 0.300       | 0.450  | Typical   | 0.011  | 0.018 | Typical   |
| C                           | 0.150       | 0.180  |           | 0.006  | 0.007 |           |
| D                           | 12.950      | 13.450 |           | 0.510  | 0.530 |           |
| D1                          | 9.900       | 10.100 |           | 0.390  | 0.398 |           |
| D3                          | 8.000       | 8.000  | Reference | 0.315  | 0.315 | Reference |
| E                           | 12.950      | 13.450 |           | 0.510  | 0.530 |           |
| E1                          | 9.900       | 10.100 |           | 0.390  | 0.398 |           |
| E3                          | 8.000       | 8.000  | Reference | 0.315  | 0.315 | Reference |
| e                           | 0.800       | 0.800  |           | 0.031  | 0.032 |           |
| L                           | 0.730       | 1.030  |           | 0.028  | 0.041 |           |
| N                           | 44          | 44     |           | 44     | 44    |           |
| CP                          | 0.102       | —      |           | 0.004  | —     |           |



## 21.5 44-Lead Plastic Surface Mount (TQFP 10x10 mm Body 1.0/0.10 mm Lead Form)



| Package Group: Plastic TQFP |             |           |       |           |           |       |
|-----------------------------|-------------|-----------|-------|-----------|-----------|-------|
| Symbol                      | Millimeters |           |       | Inches    |           |       |
|                             | Min         | Max       | Notes | Min       | Max       | Notes |
| A                           | 1.00        | 1.20      |       | 0.039     | 0.047     |       |
| A1                          | 0.05        | 0.15      |       | 0.002     | 0.006     |       |
| A2                          | 0.95        | 1.05      |       | 0.037     | 0.041     |       |
| D                           | 11.75       | 12.25     |       | 0.463     | 0.482     |       |
| D1                          | 9.90        | 10.10     |       | 0.390     | 0.398     |       |
| E                           | 11.75       | 12.25     |       | 0.463     | 0.482     |       |
| E1                          | 9.90        | 10.10     |       | 0.390     | 0.398     |       |
| L                           | 0.45        | 0.75      |       | 0.018     | 0.030     |       |
| e                           | 0.80 BSC    |           |       | 0.031 BSC |           |       |
| b                           | 0.30        | 0.45      |       | 0.012     | 0.018     |       |
| b1                          | 0.30        | 0.40      |       | 0.012     | 0.016     |       |
| c                           | 0.09        | 0.20      |       | 0.004     | 0.008     |       |
| c1                          | 0.09        | 0.16      |       | 0.004     | 0.006     |       |
| N                           | 44          | 44        |       | 44        | 44        |       |
| $\theta$                    | $0^\circ$   | $7^\circ$ |       | $0^\circ$ | $7^\circ$ |       |

Note 1: Dimensions D1 and E1 do not include mold protrusion. Allowable mold protrusion is 0.25m/m (0.010") per side. D1 and E1 dimensions including mold mismatch.

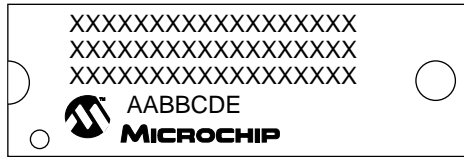
2: Dimension "b" does not include Dambar protrusion, allowable Dambar protrusion shall be 0.08m/m (0.003")max.

3: This outline conforms to JEDEC MS-026.

# PIC17C4X

## 21.6 Package Marking Information

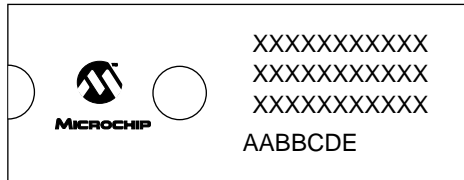
### 40-Lead PDIP/CERDIP



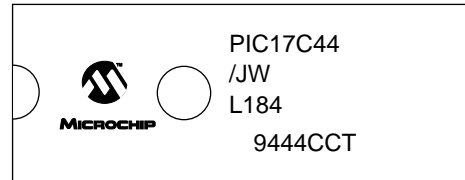
### Example



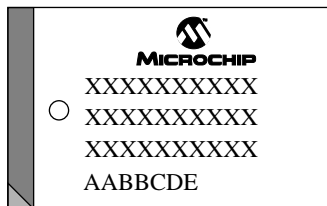
### 40 Lead CERDIP Windowed



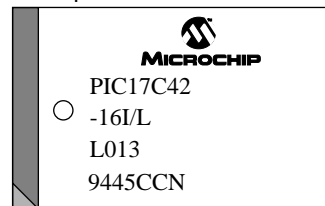
### Example



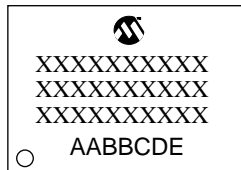
### 44-Lead PLCC



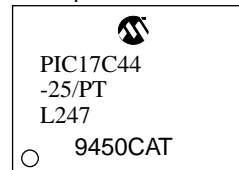
### Example



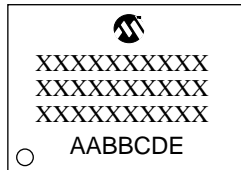
### 44-Lead MQFP



### Example



### 44-Lead TQFP



### Example



|                       |   |
|-----------------------|---|
| <b>Legend:</b> MM...M | Microchip part number information   |
| XX...X                | Customer specific information*  |
| AA                    | Year code (last 2 digits of calendar year)                                  |
| BB                    | Week code (week of January 1 is week '01')                                  |
| C                     | Facility code of the plant at which wafer is manufactured                   |
|                       | C = Chandler, Arizona, U.S.A.,  |
|                       | S = Tempe, Arizona, U.S.A.  |
| D                     | Mask revision number  |
| E                     | Assembly code of the plant or country of origin in which part was assembled |

**Note:** In the event the full Microchip part number cannot be marked on one line, it will be carried over to the next line thus limiting the number of available characters for customer specific information.

\* Standard OTP marking consists of Microchip part number, year code, week code, facility code, mask rev#, and assembly code. For OTP marking beyond this, certain price adders apply. Please check with your Microchip Sales Office. For QTP devices, any special marking adders are included in QTP price.

## APPENDIX A: MODIFICATIONS

The following is the list of modifications over the PIC16CXX microcontroller family:

1. Instruction word length is increased to 16-bit. This allows larger page sizes both in program memory (8 Kwords versus 2 Kwords) and register file (256 bytes versus 128 bytes).
2. Four modes of operation: microcontroller, protected microcontroller, extended microcontroller, and microprocessor.
3. 22 new instructions. The `MOVF`, `TRIS` and `OPTION` instructions have been removed.
4. 4 new instructions for transferring data between data memory and program memory. This can be used to "self program" the EPROM program memory.
5. Single cycle data memory to data memory transfers possible (`MOVFP` and `MOVFP` instructions). These instructions do not affect the Working register (`WREG`).
6. `W` register (`WREG`) is now directly addressable.
7. A PC high latch register (`PCLATH`) is extended to 8-bits. The `PCLATCH` register is now both readable and writable.
8. Data memory paging is redefined slightly.
9. `DDR` registers replaces function of `TRIS` registers.
10. Multiple Interrupt vectors added. This can decrease the latency for servicing the interrupt.
11. Stack size is increased to 16 deep.
12. `BSR` register for data memory paging.
13. Wake up from `SLEEP` operates slightly differently.
14. The Oscillator Start-Up Timer (`OST`) and Power-Up Timer (`PWRT`) operate in parallel and not in series.
15. `PORTB` interrupt on change feature works on all eight port pins.
16. `TMR0` is 16-bit plus 8-bit prescaler.
17. Second indirect addressing register added (`FSR1` and `FSR2`). Configuration bits can select the `FSR` registers to auto-increment, auto-decrement, remain unchanged after an indirect address.
18. Hardware multiplier added (8 x 8 → 16-bit) (`PIC17C43` and `PIC17C44` only).
19. Peripheral modules operate slightly differently.
20. Oscillator modes slightly redefined.
21. Control/Status bits and registers have been placed in different registers and the control bit for globally enabling interrupts has inverse polarity.
22. Addition of a test mode pin.
23. In-circuit serial programming is not implemented.

## APPENDIX B: COMPATIBILITY

To convert code written for `PIC16CXX` to `PIC17CXX`, the user should take the following steps:

1. Remove any `TRIS` and `OPTION` instructions, and implement the equivalent code.
2. Separate the interrupt service routine into its four vectors.
3. Replace:
 

```
MOVF    REG1, W
with:
MOVFP   REG1, WREG
```
4. Replace:
 

```
MOVF    REG1, W
MOVWF   REG2
with:
MOVFP   REG1, REG2 ; Addr(REG1) < 20h
or
MOVFP   REG1, REG2 ; Addr(REG2) < 20h
```

**Note:** If `REG1` and `REG2` are both at addresses greater than 20h, two instructions are required.

```
MOVFP   REG1, WREG ;
MOVFP   WREG, REG2 ;
```

5. Ensure that all bit names and register names are updated to new data memory map location.
6. Verify data memory banking.
7. Verify mode of operation for indirect addressing.
8. Verify peripheral routines for compatibility.
9. Weak pull-ups are enabled on reset.

To convert code from the `PIC17C42` to all the other `PIC17C4X` devices, the user should take the following steps.

1. If the hardware multiply is to be used, ensure that any variables at address 18h and 19h are moved to another address.
2. Ensure that the upper nibble of the `BSR` was not written with a non-zero value. This may cause unexpected operation since the `RAM` bank is no longer 0.
3. The disabling of global interrupts has been enhanced so there is no additional testing of the `GLINTD` bit after a `BSF CPUSTA, GLINTD` instruction.

## APPENDIX C: WHAT'S NEW

The structure of the document has been made consistent with other data sheets. This ensures that important topics are covered across all PIC16/17 families. Here is an overview of new features.

Added the following devices:

PIC17CR42

PIC17C42A

PIC17CR43

A 33 MHz option is now available.

## APPENDIX D: WHAT'S CHANGED

To make software more portable across the different PIC16/17 families, the name of several registers and control bits have been changed. This allows control bits that have the same function, to have the same name (regardless of processor family). Care must still be taken, since they may not be at the same special function register address. The following shows the register and bit names that have been changed:

| Old Name | New Name |
|----------|----------|
| TX8/9    | TX9      |
| RC8/9    | RX9      |
| RCD8     | RX9D     |
| TXD8     | TX9D     |

Instruction DECFSNZ corrected to DCFSNZ

Instruction INCFSNZ corrected to INFSNZ

Enhanced discussion on PWM to include equation for determining bits of PWM resolution.

Section 13.2.2 and 13.3.2 have had the description of updating the FERR and RX9 bits enhanced.

The location of configuration bit PM2 was changed (Figure 6-1 and Figure 14-1).

Enhanced description of the operation of the INTSTA register.

Added note to discussion of interrupt operation.

Tightened electrical spec D110.

Corrected steps for setting up USART Asynchronous Reception.



# PIC17C4X

## E.2 PIC16C5X Family of Devices

|            | Clock                                |                            | Memory                  |                 | Peripherals |                       | Features               |          |                               |
|------------|--------------------------------------|----------------------------|-------------------------|-----------------|-------------|-----------------------|------------------------|----------|-------------------------------|
|            | Maximum Frequency of Operation (MHz) | Program Memory (x12 words) | RAM Data Memory (bytes) | Timer Module(s) | I/O Pins    | Voltage Range (Volts) | Number of Instructions | Packages |                               |
| PIC16C52   | 4                                    | 384                        | —                       | 25              | TMR0        | 12                    | 2.5-6.25               | 33       | 18-pin DIP, SOIC              |
| PIC16C54   | 20                                   | 512                        | —                       | 25              | TMR0        | 12                    | 2.5-6.25               | 33       | 18-pin DIP, SOIC; 20-pin SSOP |
| PIC16C54A  | 20                                   | 512                        | —                       | 25              | TMR0        | 12                    | 2.0-6.25               | 33       | 18-pin DIP, SOIC; 20-pin SSOP |
| PIC16CR54A | 20                                   | —                          | 512                     | 25              | TMR0        | 12                    | 2.0-6.25               | 33       | 18-pin DIP, SOIC; 20-pin SSOP |
| PIC16C55   | 20                                   | 512                        | —                       | 24              | TMR0        | 20                    | 2.5-6.25               | 33       | 28-pin DIP, SOIC, SSOP        |
| PIC16C56   | 20                                   | 1K                         | —                       | 25              | TMR0        | 12                    | 2.5-6.25               | 33       | 18-pin DIP, SOIC; 20-pin SSOP |
| PIC16C57   | 20                                   | 2K                         | —                       | 72              | TMR0        | 20                    | 2.5-6.25               | 33       | 28-pin DIP, SOIC, SSOP        |
| PIC16CR57B | 20                                   | —                          | 2K                      | 72              | TMR0        | 20                    | 2.5-6.25               | 33       | 28-pin DIP, SOIC, SSOP        |
| PIC16C58A  | 20                                   | 2K                         | —                       | 73              | TMR0        | 12                    | 2.0-6.25               | 33       | 18-pin DIP, SOIC; 20-pin SSOP |
| PIC16CR58A | 20                                   | —                          | 2K                      | 73              | TMR0        | 12                    | 2.5-6.25               | 33       | 18-pin DIP, SOIC; 20-pin SSOP |

All PIC16/17 Family devices have Power-On Reset, selectable Watchdog Timer, selectable code protect and high I/O current capability.

## E.3 PIC16CXXX Family of Devices

|           | Clock                                |                            | Memory              |                 | Peripherals |                            |                   | Features |                       |                               |
|-----------|--------------------------------------|----------------------------|---------------------|-----------------|-------------|----------------------------|-------------------|----------|-----------------------|-------------------------------|
|           | Maximum Frequency of Operation (MHz) | Program Memory (K14 words) | Data Memory (bytes) | Timer Module(s) | Comparators | Internal Reference Voltage | Interrupt Sources | I/O Pins | Voltage Range (Volts) | Brown-out Reset Packages      |
| PIC16C554 | 20                                   | 512                        | 80                  | TMR0            | —           | 3                          | 13                | 2.5-6.0  | —                     | 18-pin DIP; SOIC; 20-pin SSOP |
| PIC16C556 | 20                                   | 1K                         | 80                  | TMR0            | —           | 3                          | 13                | 2.5-6.0  | —                     | 18-pin DIP; SOIC; 20-pin SSOP |
| PIC16C558 | 20                                   | 2K                         | 128                 | TMR0            | —           | 3                          | 13                | 2.5-6.0  | —                     | 18-pin DIP; SOIC; 20-pin SSOP |
| PIC16C620 | 20                                   | 512                        | 80                  | TMR0            | 2           | Yes                        | 4                 | 2.5-6.0  | Yes                   | 18-pin DIP; SOIC; 20-pin SSOP |
| PIC16C621 | 20                                   | 1K                         | 80                  | TMR0            | 2           | Yes                        | 4                 | 2.5-6.0  | Yes                   | 18-pin DIP; SOIC; 20-pin SSOP |
| PIC16C622 | 20                                   | 2K                         | 128                 | TMR0            | 2           | Yes                        | 4                 | 2.5-6.0  | Yes                   | 18-pin DIP; SOIC; 20-pin SSOP |

All PIC16/17 Family devices have Power-on Reset, selectable Watchdog Timer, selectable code protect and high I/O current capability.

All PIC16C6XXX Family devices use serial programming with clock pin RB6 and data pin RB7.

# PIC17C4X

## E.4 PIC16C6X Family of Devices

| Device                   | Clock                       |                                      | Memory |                     |                  | Peripherals                                |                     |          |                       | Features                      |                 |          |  |
|--------------------------|-----------------------------|--------------------------------------|--------|---------------------|------------------|--|---------------------|----------|-----------------------|-------------------------------|-----------------|----------|--|
|                          | Program Memory (Kx14 words) | Maximum Frequency of Operation (MHz) | ROM    | Data Memory (bytes) | Timer Module(s)  | Serial Ports (SPI/I <sup>2</sup> C, USART) | Parallel Slave Port | I/O Pins | Voltage Range (Volts) | In-Circuit Serial Programming | Brown-out Reset | Packages |  |
| PIC16C62                 | 20                          | 2K                                   | —      | 128                 | TMR0, TMR1, TMR2 | 1 SPI/I <sup>2</sup> C                     | —                   | 7        | 22                    | 3.0-6.0                       | Yes             | —        | 28-pin SDIP, SOIC, SSOP                |
| PIC16C62A <sup>(1)</sup> | 20                          | 2K                                   | —      | 128                 | TMR0, TMR1, TMR2 | 1 SPI/I <sup>2</sup> C                     | —                   | 7        | 22                    | 2.5-6.0                       | Yes             | Yes      | 28-pin SDIP, SOIC, SSOP                |
| PIC16CR62 <sup>(1)</sup> | 20                          | —                                    | 2K     | 128                 | TMR0, TMR1, TMR2 | 1 SPI/I <sup>2</sup> C                     | —                   | 7        | 22                    | 2.5-6.0                       | Yes             | Yes      | 28-pin SDIP, SOIC, SSOP                |
| PIC16C63                 | 20                          | 4K                                   | —      | 192                 | TMR0, TMR1, TMR2 | 2 SPI/I <sup>2</sup> C, USART              | —                   | 10       | 22                    | 2.5-6.0                       | Yes             | Yes      | 28-pin SDIP, SOIC                      |
| PIC16CR63 <sup>(1)</sup> | 20                          | —                                    | 4K     | 192                 | TMR0, TMR1, TMR2 | 2 SPI/I <sup>2</sup> C, USART              | —                   | 10       | 22                    | 2.5-6.0                       | Yes             | Yes      | 28-pin SDIP, SOIC                      |
| PIC16C64                 | 20                          | 2K                                   | —      | 128                 | TMR0, TMR1, TMR2 | 1 SPI/I <sup>2</sup> C                     | Yes                 | 8        | 33                    | 3.0-6.0                       | Yes             | —        | 40-pin DIP;<br>44-pin PLCC, MQFP       |
| PIC16C64A <sup>(1)</sup> | 20                          | 2K                                   | —      | 128                 | TMR0, TMR1, TMR2 | 1 SPI/I <sup>2</sup> C                     | Yes                 | 8        | 33                    | 2.5-6.0                       | Yes             | Yes      | 40-pin DIP;<br>44-pin PLCC, MQFP, TQFP |
| PIC16CR64 <sup>(1)</sup> | 20                          | —                                    | 2K     | 128                 | TMR0, TMR1, TMR2 | 1 SPI/I <sup>2</sup> C                     | Yes                 | 8        | 33                    | 2.5-6.0                       | Yes             | Yes      | 40-pin DIP;<br>44-pin PLCC, MQFP, TQFP |
| PIC16C65                 | 20                          | 4K                                   | —      | 192                 | TMR0, TMR1, TMR2 | 2 SPI/I <sup>2</sup> C, USART              | Yes                 | 11       | 33                    | 3.0-6.0                       | Yes             | —        | 40-pin DIP;<br>44-pin PLCC, MQFP       |
| PIC16C65A <sup>(1)</sup> | 20                          | 4K                                   | —      | 192                 | TMR0, TMR1, TMR2 | 2 SPI/I <sup>2</sup> C, USART              | Yes                 | 11       | 33                    | 2.5-6.0                       | Yes             | Yes      | 40-pin DIP;<br>44-pin PLCC, MQFP, TQFP |
| PIC16CR65 <sup>(1)</sup> | 20                          | —                                    | 4K     | 192                 | TMR0, TMR1, TMR2 | 2 SPI/I <sup>2</sup> C, USART              | Yes                 | 11       | 33                    | 2.5-6.0                       | Yes             | Yes      | 40-pin DIP;<br>44-pin PLCC, MQFP, TQFP |

All PIC16/17 family devices have Power-on Reset, selectable Watchdog Timer, selectable code protect, and high I/O current capability.

All PIC16C6X family devices use serial programming with clock pin RB6 and data pin RB7.

Note 1: Please contact your local sales office for availability of these devices.



## E.5 PIC16C7X Family of Devices

| Device                   | Clock                                |                                    | Memory              |                     | Peripherals                                |                                |          |                       | Features                      |                 |          |     |  |
|--------------------------|--------------------------------------|------------------------------------|---------------------|---------------------|--|--------------------------------|----------|-----------------------|-------------------------------|-----------------|----------|-----|--|
|                          | Maximum Frequency of Operation (MHz) | EPROM Program Memory (K x 4 words) | Data Memory (bytes) | Timer Module(s)     | Serial Ports (SPI/I <sup>2</sup> C, USART) | A/D Converter (8-bit) Channels | I/O Pins | Voltage Range (Volts) | In-Circuit Serial Programming | Brown-out Reset | Packages |     |  |
| PIC16C710                | 20                                   | 512                                | 36                  | TMR0                | —  | —                              | 4        | 4                     | 13                            | 3.0-6.0         | Yes      | Yes | 18-pin DIP, SOIC;<br>20-pin SSOP       |
| PIC16C71                 | 20                                   | 1K                                 | 36                  | TMR0                | —  | —                              | 4        | 4                     | 13                            | 3.0-6.0         | Yes      | —   | 18-pin DIP, SOIC                       |
| PIC16C711                | 20                                   | 1K                                 | 68                  | TMR0                | —  | —                              | 4        | 4                     | 13                            | 3.0-6.0         | Yes      | Yes | 18-pin DIP, SOIC;<br>20-pin SSOP       |
| PIC16C72                 | 20                                   | 2K                                 | 128                 | TMR0,<br>TMR1, TMR2 | 1  | SPI/I <sup>2</sup> C           | —        | 5                     | 8                             | 2.5-6.0         | Yes      | Yes | 28-pin SDIP, SOIC, SSOP                |
| PIC16C73                 | 20                                   | 4K                                 | 192                 | TMR0,<br>TMR1, TMR2 | 2  | SPI/I <sup>2</sup> C,<br>USART | —        | 5                     | 11                            | 3.0-6.0         | Yes      | —   | 28-pin SDIP, SOIC                      |
| PIC16C73A <sup>(1)</sup> | 20                                   | 4K                                 | 192                 | TMR0,<br>TMR1, TMR2 | 2  | SPI/I <sup>2</sup> C,<br>USART | —        | 5                     | 11                            | 2.5-6.0         | Yes      | Yes | 28-pin SDIP, SOIC                      |
| PIC16C74                 | 20                                   | 4K                                 | 192                 | TMR0,<br>TMR1, TMR2 | 2  | SPI/I <sup>2</sup> C,<br>USART | Yes      | 8                     | 12                            | 3.0-6.0         | Yes      | —   | 40-pin DIP;<br>44-pin PLCC, MQFP       |
| PIC16C74A <sup>(1)</sup> | 20                                   | 4K                                 | 192                 | TMR0,<br>TMR1, TMR2 | 2  | SPI/I <sup>2</sup> C,<br>USART | Yes      | 8                     | 12                            | 2.5-6.0         | Yes      | Yes | 40-pin DIP;<br>44-pin PLCC, MQFP, TQFP |

All PIC16/17 Family devices have Power-on Reset, selectable Watchdog Timer, selectable code protect and high I/O current capability.

All PIC16C7X Family devices use serial programming with clock pin RB6 and data pin RB7.

Note 1: Please contact your local sales office for availability of these devices.

# PIC17C4X

## E.6 PIC16C8X Family of Devices

|                          | Clock                                |                | Memory              |                     |               | Peripherals       |          | Features |    |         |                  |
|--------------------------|--------------------------------------|----------------|---------------------|---------------------|---------------|-------------------|----------|----------|----|---------|------------------|
|                          | Maximum Frequency of Operation (MHz) | Program Memory | Data Memory (bytes) | Data EEPROM (bytes) | Timer Modules | Interrupt Sources | I/O Pins |          |    |         |                  |
| PIC16C84                 | 10                                   | —              | 1K                  | —                   | 36            | 64                | TMR0     | 4        | 13 | 2.0-6.0 | 18-pin DIP, SOIC |
| PIC16F84 <sup>(1)</sup>  | 10                                   | 1K             | —                   | —                   | 68            | 64                | TMR0     | 4        | 13 | 2.0-6.0 | 18-pin DIP, SOIC |
| PIC16CR84 <sup>(1)</sup> | 10                                   | —              | —                   | 1K                  | 68            | 64                | TMR0     | 4        | 13 | 2.0-6.0 | 18-pin DIP, SOIC |
| PIC16F83 <sup>(1)</sup>  | 10                                   | 512            | —                   | —                   | 36            | 64                | TMR0     | 4        | 13 | 2.0-6.0 | 18-pin DIP, SOIC |
| PIC16CR83 <sup>(1)</sup> | 10                                   | —              | —                   | 512                 | 36            | 64                | TMR0     | 4        | 13 | 2.0-6.0 | 18-pin DIP, SOIC |

All PIC16/17 family devices have Power-on Reset, selectable Watchdog Timer, selectable code protect, and high I/O current capability.

All PIC16C8X family devices use serial programming with clock pin RB6 and data pin RB7.

Note 1: Please contact your local sales office for availability of these devices.

## E.7 PIC16C9XX Family Of Devices

|           | Clock                                |                         | Memory              |                 | Peripherals |                      |                      |  |                     | Features                       |            |                   |          |            |   |                               |                 |
|-----------|--------------------------------------|-------------------------|---------------------|-----------------|-------------|----------------------|----------------------|--|---------------------|--------------------------------|------------|-------------------|----------|------------|---|-------------------------------|-----------------|
|           | Maximum Frequency of Operation (MHz) | Program Memory (Kbytes) | Data Memory (bytes) | Timer Module(s) | EPRAM       | TMR0, TMR1, TMR2     | SPI/I <sup>2</sup> C | Serial Port(s) (SPI/I <sup>2</sup> C, USART) | Parallel Slave Port | A/D Converter (8-bit) Channels | LCD Module | Interrupt Sources | I/O Pins | Input Pins | Voltage Range (Volts)                     | In-Circuit Serial Programming | Brown-out Reset |
| PIC16C923 | 8                                    | 4K                      | 176                 | 1               | 1           | SPI/I <sup>2</sup> C | —                    | 4 Com<br>32 Seg                              | 8                   | 25                             | 27         | 3.0-6.0           | Yes      | —          | 64-pin SDIP(1), TQFP,<br>68-pin PLCC, DIE |                               |                 |
| PIC16C924 | 8                                    | 4K                      | 176                 | 1               | 1           | SPI/I <sup>2</sup> C | —                    | 5  | 4 Com<br>32 Seg     | 9                              | 25         | 27                | 3.0-6.0  | Yes        | 64-pin SDIP(1), TQFP,<br>68-pin PLCC, DIE |                               |                 |

All PIC16/17 Family devices have Power-on Reset, selectable Watchdog Timer, selectable code protect and high I/O current capability.

All PIC16CXX Family devices use serial programming with clock pin RB6 and data pin RB7.

Note 1: Please contact your local Microchip representative for availability of this package.

# PIC17C4X

## E.8 PIC17CXX Family of Devices

| PIC17C4X  | Clock                                |                        | Memory                  |                 |               | Peripherals            |                   |                     |          | Features              |                        |          |    |  |
|-----------|--------------------------------------|------------------------|-------------------------|-----------------|---------------|------------------------|-------------------|---------------------|----------|-----------------------|------------------------|----------|----|--|
|           | Maximum Frequency of Operation (MHz) | Program Memory (Words) | RAM Data Memory (bytes) | Timer Module(s) | Captures/PWMs | Serial Port(s) (USART) | Hardware Multiply | External Interrupts | I/O Pins | Voltage Range (Volts) | Number of Instructions | Packages |    |  |
| PIC17C42  | 25                                   | 2K                     | —                       | 232             | 2             | 2                      | Yes               | —                   | Yes      | 11                    | 33                     | 4.5-5.5  | 55 | 40-pin DIP;<br>44-pin PLCC, MQFP       |
| PIC17C42A | 25                                   | 2K                     | —                       | 232             | 2             | 2                      | Yes               | Yes                 | Yes      | 11                    | 33                     | 2.5-6.0  | 58 | 40-pin DIP;<br>44-pin PLCC, TQFP, MQFP |
| PIC17CR42 | 25                                   | —                      | 2K                      | 232             | 2             | 2                      | Yes               | Yes                 | Yes      | 11                    | 33                     | 2.5-6.0  | 58 | 40-pin DIP;<br>44-pin PLCC, TQFP, MQFP |
| PIC17C43  | 25                                   | 4K                     | —                       | 454             | 2             | 2                      | Yes               | Yes                 | Yes      | 11                    | 33                     | 2.5-6.0  | 58 | 40-pin DIP;<br>44-pin PLCC, TQFP, MQFP |
| PIC17CR43 | 25                                   | —                      | 4K                      | 454             | 2             | 2                      | Yes               | Yes                 | Yes      | 11                    | 33                     | 2.5-6.0  | 58 | 40-pin DIP;<br>44-pin PLCC, TQFP, MQFP |
| PIC17C44  | 25                                   | 8K                     | —                       | 454             | 2             | 2                      | Yes               | Yes                 | Yes      | 11                    | 33                     | 2.5-6.0  | 58 | 40-pin DIP;<br>44-pin PLCC, TQFP, MQFP |

All PIC16/17 Family devices have Power-on Reset, selectable Watchdog Timer, selectable code protect and high I/O current capability.

## PIN COMPATIBILITY

Devices that have the same package type and VDD, VSS and MCLR pin locations are said to be pin compatible. This allows these different devices to operate in the same socket. Compatible devices may only require minor software modification to allow proper operation in the application socket (ex., PIC16C56 and PIC16C61 devices). Not all devices in the same package size are pin compatible; for example, the PIC16C62 is compatible with the PIC16C63, but not the PIC16C55.

Pin compatibility does not mean that the devices offer the same features. As an example, the PIC16C54 is pin compatible with the PIC16C71, but does not have an A/D converter, weak pull-ups on PORTB, or interrupts.

**TABLE E-1: PIN COMPATIBLE DEVICES**

| Pin Compatible Devices  | Package          |
|---|------------------|
| PIC12C508, PIC12C509  | 8-pin            |
| PIC16C54, PIC16C54A,<br>PIC16CR54A,<br>PIC16C56,<br>PIC16C58A, PIC16CR58A,<br>PIC16C61,<br>PIC16C554, PIC16C556, PIC16C558<br>PIC16C620, PIC16C621, PIC16C622,<br>PIC16C710, PIC16C71, PIC16C711,<br>PIC16F83, PIC16CR83,<br>PIC16C84, PIC16F84A, PIC16CR84 | 18-pin<br>20-pin |
| PIC16C55,<br>PIC16C57, PIC16CR57B   | 28-pin           |
| PIC16C62, PIC16CR62, PIC16C62A, PIC16C63,<br>PIC16C72, PIC16C73, PIC16C73A  | 28-pin           |
| PIC16C64, PIC16CR64, PIC16C64A,<br>PIC16C65, PIC16C65A,<br>PIC16C74, PIC16C74A  | 40-pin           |
| PIC17C42, PIC17CR42, PIC17C42A,<br>PIC17C43, PIC17CR43, PIC17C44  | 40-pin           |
| PIC16C923, PIC16C924  | 64/68-pin        |

# PIC17C4X

---

NOTES:

## APPENDIX F: ERRATA FOR PIC17C42 SILICON

The PIC17C42 devices that you have received have the following anomalies. At present there is no intention for future revisions to the present PIC17C42 silicon. If these cause issues for the application, it is recommended that you select the PIC17C42A device.

**Note:** New designs should use the PIC17C42A.

1. When the Oscillator Start-Up Timer (OST) is enabled (in LF or XT oscillator modes), any interrupt that wakes the processor may cause a WDT reset. This occurs when the WDT is greater than or equal to 50% time-out period when the `SLEEP` instruction is executed. This will not occur in either the EC or RC oscillator modes.

### Work-arounds

- a) Always ensure that the `CLRWDT` instruction is executed before the WDT increments past 50% of the WDT period. This will keep the "false" WDT reset from occurring.
- b) When using the WDT as a normal timer (WDT disabled), ensure that the WDT is less than or equal to 50% time-out period when the `SLEEP` instruction is executed. This can be done by monitoring the  $\overline{TO}$  bit for changing state from set to clear. Example 1 shows putting the PIC17C42 to sleep.

### EXAMPLE F-1: PIC17C42 TO SLEEP

```

BTFFS    CPUSTA, TO    ; TO = 0?
CLRWDT
LOOP BTFFS    CPUSTA, TO    ; WDT rollover?
GOTO     LOOP          ; NO, wait
SLEEP

```

2. When the clock source of Timer1 or Timer2 is selected to external clock, the overflow interrupt flag will be set twice, once when the timer equals the period, and again when the timer value is reset to 0h. If the latency to clear `TMRxIF` is greater than the time to the next clock pulse, no problems will be noticed. If the latency is less than the time to the next timer clock pulse, the interrupt will be serviced twice.

### Work-arounds

- a) Ensure that the timer has rolled over to 0h before clearing the flag bit.
- b) Clear the timer in software. Clearing the timer in software causes the period to be one count less than expected.

## Design considerations

The device must not be operated outside of the specified voltage range. An external reset circuit must be used to ensure the device is in reset when a brown-out occurs or the `VDD` rise time is too long. Failure to ensure that the device is in reset when device voltage is out of specification may cause the device to lock-up and ignore the `MCLR` pin.

# PIC17C4X

---

NOTES:



## INDEX

### A

|                                  |             |
|----------------------------------|-------------|
| ADDLW                            | 112         |
| ADDWF                            | 112         |
| ADDWFC                           | 113         |
| ALU                              | 9           |
| ALU STATUS Register (ALUSTA)     | 36          |
| ALUSTA                           | 34, 36, 108 |
| ALUSTA Register                  | 36          |
| ANDLW                            | 113         |
| ANDWF                            | 114         |
| Application Notes                |             |
| AN552                            | 55          |
| Assembler                        | 144         |
| Asynchronous Master Transmission | 90          |
| Asynchronous Transmitter         | 89          |

### B

|   |        |
|---|--------|
| Bank Select Register (BSR)                      | 42     |
| Banking   | 42     |
| Baud Rate Formula                               | 86     |
| Baud Rate Generator (BRG)                       | 86     |
| Baud Rates                                      |        |
| Asynchronous Mode                               | 88     |
| Synchronous Mode                                | 87     |
| BCF   | 114    |
| Bit Manipulation                                | 108    |
| Block Diagrams                                  |        |
| On-chip Reset Circuit                           | 15     |
| PIC17C42  | 10     |
| PORTD   | 60     |
| PORTE   | 62     |
| PWM   | 75     |
| RA0 and RA1                                     | 53     |
| RA2 and RA3                                     | 54     |
| RA4 and RA5                                     | 54     |
| RB3:RB2 Port Pins                               | 56     |
| RB7:RB4 and RB1:RB0 Port Pins                   | 55     |
| RC7:RC0 Port Pins                               | 58     |
| Timer3 with One Capture and One Period Register | 78     |
| TMR1 and TMR2 in 16-bit Timer/Counter Mode      | 74     |
| TMR1 and TMR2 in Two 8-bit Timer/Counter Mode   | 73     |
| TMR3 with Two Capture Registers                 | 79     |
| WDT   | 104    |
| BORROW  | 9      |
| BRG   | 86     |
| Brown-out Protection                            | 18     |
| BSF   | 115    |
| BSR   | 34, 42 |
| BSR Operation                                   | 42     |
| BTFSC   | 115    |
| BTFSS   | 116    |
| BTG   | 116    |

### C

|                   |       |
|-------------------|-------|
| C                 | 9, 36 |
| C Compiler (MP-C) | 145   |
| CA1/PR3           | 72    |
| CA1ED0            | 71    |
| CA1ED1            | 71    |

|   |             |
|---|-------------|
| CA1IE                                       | 23          |
| CA1IF                                       | 24          |
| CA1OVF                                      | 72          |
| CA2ED0                                      | 71          |
| CA2ED1                                      | 71          |
| CA2H  | 20, 35      |
| CA2IE                                       | 23, 78      |
| CA2IF                                       | 24, 78      |
| CA2L  | 20, 35      |
| CA2OVF                                      | 72          |
| Calculating Baud Rate Error                 | 86          |
| CALL  | 39, 117     |
| Capacitor Selection                         |             |
| Ceramic Resonators                          | 101         |
| Crystal Oscillator                          | 101         |
| Capture                                     | 71, 78      |
| Capture Sequence to Read Example            | 78          |
| Capture1                                    |             |
| Mode  | 71          |
| Overflow                                    | 72          |
| Capture2                                    |             |
| Mode  | 71          |
| Overflow                                    | 72          |
| Carry (C)                                   | 9           |
| Ceramic Resonators                          | 100         |
| Circular Buffer                             | 39          |
| Clearing the Prescaler                      | 103         |
| Clock/Instruction Cycle (Figure)            | 14          |
| Clocking Scheme/Instruction Cycle (Section) | 14          |
| CLRF  | 117         |
| CLRWDT                                      | 118         |
| Code Protection                             | 99, 106     |
| COMF  | 118         |
| Configuration                               |             |
| Bits  | 100         |
| Locations                                   | 100         |
| Oscillator                                  | 100         |
| Word  | 99          |
| CPFSEQ                                      | 119         |
| CPFSGT                                      | 119         |
| CPFSLT                                      | 120         |
| CPU STATUS Register (CPUSTA)                | 37          |
| CPUSTA                                      | 34, 37, 105 |
| CREN  | 84          |
| Crystal Operation, Overtone Crystals        | 101         |
| Crystal or Ceramic Resonator Operation      | 100         |
| Crystal Oscillator                          | 100         |
| CSRC  | 83          |

### D

|                            |            |
|----------------------------|------------|
| Data Memory                |            |
| GPR                        | 29, 32     |
| Indirect Addressing        | 39         |
| Organization               | 32         |
| SFR                        | 29, 32     |
| Transfer to Program Memory | 43         |
| DAW                        | 120        |
| DC                         | 9, 36      |
| DDRB                       | 19, 34, 55 |
| DDRC                       | 19, 34, 58 |
| DDRD                       | 19, 34, 60 |
| DDRE                       | 19, 34, 62 |
| DECF                       | 121        |
| DECFSNZ                    | 122        |
| DECFSZ                     | 121        |

# PIC17C4X

|  |     |
|--|-----|
| Delay From External Clock Edge .....       | 68  |
| Development Support .....                  | 143 |
| Development Tools .....                    | 143 |
| Device Drawings                            |     |
| 44-Lead Plastic Surface Mount (MQFP        |     |
| 10x10 mm Body 1.6/0.15 mm Lead Form) ..... | 209 |
| DIGIT BORROW .....                         | 9   |
| Digit Carry (DC) .....                     | 9   |
| Duty Cycle .....                           | 75  |

## E

|  |     |
|--|-----|
| Electrical Characteristics                   |     |
| PIC17C42                                     |     |
| Absolute Maximum Ratings .....               | 147 |
| Capture Timing .....                         | 159 |
| CLKOUT and I/O Timing .....                  | 156 |
| DC Characteristics .....                     | 149 |
| External Clock Timing .....                  | 155 |
| Memory Interface Read Timing .....           | 162 |
| Memory Interface Write Timing .....          | 161 |
| PWM Timing .....                             | 159 |
| RESET, Watchdog Timer, Oscillator Start-up   |     |
| Timer and Power-up Timer .....               | 157 |
| Timer0 Clock Timings .....                   | 158 |
| Timer1, Timer2 and Timer3 Clock Timing ..... | 158 |
| USART Module, Synchronous Receive .....      | 160 |
| USART Module, Synchronous Transmission ..... | 160 |
| PIC17C43/44                                  |     |
| Absolute Maximum Ratings .....               | 175 |
| Capture Timing .....                         | 188 |
| CLKOUT and I/O Timing .....                  | 185 |
| DC Characteristics .....                     | 177 |
| External Clock Timing .....                  | 184 |
| Memory Interface Read Timing .....           | 191 |
| Memory Interface Write Timing .....          | 190 |
| Parameter Measurement Information .....      | 183 |
| RESET, Watchdog Timer, Oscillator Start-up   |     |
| Timer and Power-up Timer Timing .....        | 186 |
| Timer0 Clock Timing .....                    | 187 |
| Timer1, Timer2 and Timer3 Clock Timing ..... | 187 |
| Timing Parameter Symbolology .....           | 182 |
| USART Module Synchronous Receive             |     |
| Timing .....                                 | 189 |
| USART Module Synchronous Transmission        |     |
| Timing .....                                 | 189 |
| EPROM Memory Access Time Order Suffix .....  | 31  |
| Extended Microcontroller .....               | 29  |
| Extended Microcontroller Mode .....          | 31  |
| External Memory Interface .....              | 31  |
| External Program Memory Waveforms .....      | 31  |

## F

|                         |        |
|-------------------------|--------|
| Family of Devices ..... | 6      |
| PIC14000 .....          | 213    |
| PIC16C5X .....          | 214    |
| PIC16CXXX .....         | 215    |
| PIC16C6X .....          | 216    |
| PIC16C7X .....          | 217    |
| PIC16C8X .....          | 218    |
| PIC16C9XX .....         | 219    |
| PIC17CXX .....          | 220    |
| FERR .....              | 84, 91 |
| FOSC0 .....             | 99     |

|  |          |
|--|----------|
| FOSC1 .....  | 99       |
| FS0 .....  | 36       |
| FS1 .....  | 36       |
| FS2 .....  | 36       |
| FS3 .....  | 36       |
| FSR0 .....   | 34, 40   |
| FSR1 .....   | 34, 40   |
| Fuzzy Logic Dev. System ( <i>fuzzyTECH</i> <sup>®</sup> -MP) ..... | 143, 145 |

## G

|  |                 |
|--|-----------------|
| General Format for Instructions .....            | 108             |
| General Purpose RAM .....                        | 29              |
| General Purpose RAM Bank .....                   | 42              |
| General Purpose Register (GPR) .....             | 32              |
| GLINTD .....                                     | 25, 37, 78, 105 |
| GOTO .....                                       | 122             |
| GPR (General Purpose Register) .....             | 32              |
| Graphs   |                 |
| IOH vs. VOH, VDD = 3V .....                      | 170, 200        |
| IOH vs. VOH, VDD = 5V .....                      | 171, 201        |
| IOL vs. VOL, VDD = 3V .....                      | 171, 201        |
| IOL vs. VOL, VDD = 5V .....                      | 172, 202        |
| Maximum IDD vs. Frequency                        |                 |
| (External Clock 125°C to -40°C) .....            | 167, 197        |
| Maximum IPD vs. VDD Watchdog Disabled .....      | 168, 198        |
| Maximum IPD vs. VDD Watchdog Enabled .....       | 169, 199        |
| RC Oscillator Frequency vs.                      |                 |
| VDD (Cext = 100 pF) .....                        | 164, 194        |
| RC Oscillator Frequency vs.                      |                 |
| VDD (Cext = 22 pF) .....                         | 164, 194        |
| RC Oscillator Frequency vs.                      |                 |
| VDD (Cext = 300 pF) .....                        | 165, 195        |
| Transconductance of LF Oscillator vs. VDD .....  | 166, 196        |
| Transconductance of XT Oscillator vs. VDD .....  | 166, 196        |
| Typical IDD vs. Frequency                        |                 |
| (External Clock 25°C) .....                      | 167, 197        |
| Typical IPD vs. VDD Watchdog Disabled 25°C ..... | 168, 198        |
| Typical IPD vs. VDD Watchdog Enabled 25°C .....  | 169, 199        |
| Typical RC Oscillator vs. Temperature .....      | 163, 193        |
| VTH (Input Threshold Voltage) of I/O Pins vs.    |                 |
| VDD .....  | 172, 202        |
| VTH (Input Threshold Voltage) of OSC1 Input      |                 |
| (In XT, HS, and LP Modes) vs. VDD .....          | 173, 203        |
| VTH, VIL of MCLR, T0CKI and OSC1                 |                 |
| (In RC Mode) vs. VDD .....                       | 173, 203        |
| WDT Timer Time-Out Period vs. VDD .....          | 170, 200        |

## H

|                           |    |
|---------------------------|----|
| Hardware Multiplier ..... | 49 |
|---------------------------|----|

## I

|                                      |        |
|--------------------------------------|--------|
| I/O Ports                            |        |
| Bi-directional .....                 | 64     |
| I/O Ports .....                      | 53     |
| Programming Considerations .....     | 64     |
| Read-Modify-Write Instructions ..... | 64     |
| Successive Operations .....          | 64     |
| INCF .....                           | 123    |
| INCFSNZ .....                        | 124    |
| INCFSZ .....                         | 123    |
| INDFO .....                          | 34, 40 |
| INDF1 .....                          | 34, 40 |

|  |          |                                    |          |
|--|----------|------------------------------------|----------|
| Indirect Addressing                                      |          | TSTFSZ                             | 140      |
| Indirect Addressing                                      | 39       | XORLW                              | 141      |
| Operation  | 40       | XORWF                              | 141      |
| Registers  | 40       | Instruction Set Summary            | 107      |
| Initialization Conditions For Special Function Registers | 19       | INT Pin                            | 26       |
| Initializing PORTB                                       | 57       | INTE                               | 22       |
| Initializing PORTC                                       | 58       | INTEDG                             | 38, 67   |
| Initializing PORTD                                       | 60       | Interrupt on Change Feature        | 55       |
| Initializing PORTE                                       | 62       | Interrupt Status Register (INTSTA) | 22       |
| Instruction Flow/Pipelining                              | 14       | Interrupts                         |          |
| Instruction Set  | 110      | Context Saving                     | 27       |
| ADDLW  | 112      | Flag bits                          |          |
| ADDWF  | 112      | TMR1IE                             | 21       |
| ADDWFC   | 113      | TMR1IF                             | 21       |
| ANDLW  | 113      | TMR2IE                             | 21       |
| ANDWF  | 114      | TMR2IF                             | 21       |
| BCF  | 114      | TMR3IE                             | 21       |
| BSF  | 115      | TMR3IF                             | 21       |
| BTFSC  | 115      | Interrupts                         | 21       |
| BTFSS  | 116      | Logic                              | 21       |
| BTG  | 116      | Operation                          | 25       |
| CALL   | 117      | Peripheral Interrupt Enable        | 23       |
| CLRF   | 117      | Peripheral Interrupt Request       | 24       |
| CLRWDT   | 118      | PWM                                | 76       |
| COMF   | 118      | Status Register                    | 22       |
| CPFSEQ   | 119      | Table Write Interaction            | 45       |
| CPFSGT   | 119      | Timing                             | 26       |
| CPFSLT   | 120      | Vectors                            |          |
| DAW  | 120      | Peripheral Interrupt               | 26       |
| DECF   | 121      | RA0/INT Interrupt                  | 26       |
| DECFSNZ  | 122      | T0CKI Interrupt                    | 26       |
| DECFSZ   | 121      | TMR0 Interrupt                     | 26       |
| GOTO   | 122      | Vectors/Priorities                 | 25       |
| INCF   | 123      | Wake-up from SLEEP                 | 105      |
| INCFSNZ  | 124      | INTF                               | 22       |
| INCFSZ   | 123      | INTSTA                             | 34       |
| IORLW  | 124      | INTSTA Register                    | 22       |
| IORWF  | 125      | IORLW                              | 124      |
| LCALL  | 125      | IORWF                              | 125      |
| MOVFP  | 126      |                                    |          |
| MOVLB  | 126      | <b>L</b>                           |          |
| MOVLR  | 127      | LCALL                              | 125      |
| MOVLW  | 127      | Long Writes                        | 45       |
| MOVPF  | 128      |                                    |          |
| MOVWF  | 128      | <b>M</b>                           |          |
| MULLW  | 129      | Memory                             |          |
| MULWF  | 129      | External Interface                 | 31       |
| NEGW   | 130      | External Memory Waveforms          | 31       |
| NOP  | 130      | Memory Map (Different Modes)       | 30       |
| RETFIE   | 131      | Mode Memory Access                 | 30       |
| RETLW  | 131      | Organization                       | 29       |
| RETURN   | 132      | Program Memory                     | 29       |
| RLCF   | 132      | Program Memory Map                 | 29       |
| RLNCF  | 133      | Microcontroller                    | 29       |
| RRCF   | 133      | Microprocessor                     | 29       |
| RRNCF  | 134      | Minimizing Current Consumption     | 106      |
| SETF   | 134      | MOVFP                              | 126      |
| SLEEP  | 135      | MOVLB                              | 126      |
| SUBLW  | 135      | MOVLR                              | 127      |
| SUBWF  | 136      | MOVLW                              | 127      |
| SUBWFB   | 136      | MOVPF                              | 128      |
| SWAPF  | 137      | MOVWF                              | 128      |
| TABLRD   | 137, 138 | MPASM Assembler                    | 143, 144 |
| TABLWT   | 138, 139 |                                    |          |
| TLRD   | 139      |                                    |          |
| TLWT   | 140      |                                    |          |

# PIC17C4X

|  |                    |                                       |                        |
|--|--------------------|---------------------------------------|------------------------|
| MP-C C Compiler .....                            | 145                | PORTD .....                           | 19, 34, 60             |
| MPSIM Software Simulator .....                   | 143, 145           | PORTE .....                           | 19, 34, 62             |
| MULLW .....                                      | 129                | Power-down Mode .....                 | 105                    |
| Multiply Examples                                |                    | Power-on Reset (POR) .....            | 15, 99                 |
| 16 x 16 Routine .....                            | 50                 | Power-up Timer (PWRT) .....           | 15, 99                 |
| 16 x 16 Signed Routine .....                     | 51                 | PR1 .....                             | 20, 35                 |
| 8 x 8 Routine .....                              | 49                 | PR2 .....                             | 20, 35                 |
| 8 x 8 Signed Routine .....                       | 49                 | PR3/CA1H .....                        | 20                     |
| MULWF .....                                      | 129                | PR3/CA1L .....                        | 20                     |
|  |                    | PR3H/CA1H .....                       | 35                     |
| <b>N</b>   |                    | PR3L/CA1L .....                       | 35                     |
| NEGW .....                                       | 130                | Prescaler Assignments .....           | 69                     |
| NOP .....  | 130                | PRO MATE® Universal Programmer .....  | 143                    |
|  |                    | PRODH .....                           | 20                     |
| <b>O</b>   |                    | PRODL .....                           | 20                     |
| OERR .....                                       | 84                 | Program Counter (PC) .....            | 41                     |
| Opcode Field Descriptions .....                  | 107                | Program Memory                        |                        |
| OSC Selection .....                              | 99                 | External Access Waveforms .....       | 31                     |
| Oscillator                                       |                    | External Connection Diagram .....     | 31                     |
| Configuration .....                              | 100                | Map .....                             | 29                     |
| Crystal .....                                    | 100                | Modes                                 |                        |
| External Clock .....                             | 101                | Extended Microcontroller .....        | 29                     |
| External Crystal Circuit .....                   | 102                | Microcontroller .....                 | 29                     |
| External Parallel Resonant Crystal Circuit ..... | 102                | Microprocessor .....                  | 29                     |
| External Series Resonant Crystal Circuit .....   | 102                | Protected Microcontroller .....       | 29                     |
| RC .....   | 102                | Operation .....                       | 29                     |
| RC Frequencies .....                             | 165, 195           | Organization .....                    | 29                     |
| Oscillator Start-up Time (Figure) .....          | 18                 | Transfers from Data Memory .....      | 43                     |
| Oscillator Start-up Timer (OST) .....            | 15, 99             | Protected Microcontroller .....       | 29                     |
| OST .....  | 15, 99             | PS0 .....                             | 38, 67                 |
| OV .....   | 9, 36              | PS1 .....                             | 38, 67                 |
| Overflow (OV) .....                              | 9                  | PS2 .....                             | 38, 67                 |
|  |                    | PS3 .....                             | 38, 67                 |
|  |                    | PUSH .....                            | 27, 39                 |
| <b>P</b>   |                    | PW1DCH .....                          | 20, 35                 |
| Package Marking Information .....                | 210                | PW1DCL .....                          | 20, 35                 |
| Packaging Information .....                      | 205                | PW2DCH .....                          | 20, 35                 |
| Parameter Measurement Information .....          | 154                | PW2DCL .....                          | 20, 35                 |
| PC (Program Counter) .....                       | 41                 | PWM .....                             | 71, 75                 |
| PCH .....  | 41                 | Duty Cycle .....                      | 76                     |
| PCL .....  | 34, 41, 108        | External Clock Source .....           | 76                     |
| PCLATH .....                                     | 34, 41             | Frequency vs. Resolution .....        | 76                     |
| $\overline{PD}$ .....                            | 37, 105            | Interrupts .....                      | 76                     |
| PEIE .....                                       | 22, 78             | Max Resolution/Frequency for External |                        |
| PEIF .....                                       | 22                 | Clock Input .....                     | 77                     |
| Peripheral Bank .....                            | 42                 | Output .....                          | 75                     |
| Peripheral Interrupt Enable .....                | 23                 | Periods .....                         | 76                     |
| Peripheral Interrupt Request (PIR) .....         | 24                 | PWM1 .....                            | 72                     |
| PICDEM-1 Low-Cost PIC16/17 Demo Board .....      | 143, 144           | PWM1ON .....                          | 72, 75                 |
| PICDEM-2 Low-Cost PIC16CXX Demo Board .....      | 143, 144           | PWM2 .....                            | 72                     |
| PICDEM-3 Low-Cost PIC16C9XXX Demo Board .....    | 144                | PWM2ON .....                          | 72, 75                 |
| PICMASTER® RT In-Circuit Emulator .....          | 143                | PWRT .....                            | 15, 99                 |
| PICSTART® Low-Cost Development System .....      | 143                |                                       |                        |
| PIE .....  | 19, 34, 92, 96, 98 | <b>R</b>                              |                        |
| Pin Compatible Devices .....                     | 221                | RA1/T0CKI pin .....                   | 67                     |
| PIR .....  | 19, 34, 92, 96, 98 | RBIE .....                            | 23                     |
| PM0 .....  | 99, 106            | RBIF .....                            | 24                     |
| PM1 .....  | 99, 106            | RBPU .....                            | 55                     |
| POP .....  | 27, 39             | RC Oscillator .....                   | 102                    |
| POR .....  | 15, 99             | RC Oscillator Frequencies .....       | 165, 195               |
| PORTA .....                                      | 19, 34, 53         | RCIE .....                            | 23                     |
| PORTB .....                                      | 19, 34, 55         | RCIF .....                            | 24                     |
| PORTC .....                                      | 19, 34, 58         | RCREG .....                           | 19, 34, 91, 92, 96, 97 |
|  |                    | RCSTA .....                           | 19, 34, 92, 96, 98     |
|  |                    | Reading 16-bit Value .....            | 69                     |

|   |        |
|---|--------|
| Receive Status and Control Register ..... | 83     |
| Register File Map .....                   | 33     |
| Registers                                 |        |
| ALUSTA .....                              | 27, 36 |
| BRG .....                                 | 86     |
| BSR .....                                 | 27     |
| CPOSTA .....                              | 37     |
| File Map .....                            | 33     |
| FSR0 .....                                | 40     |
| FSR1 .....                                | 40     |
| INDF0 .....                               | 40     |
| INDF1 .....                               | 40     |
| INTSTA .....                              | 22     |
| PIE .....                                 | 23     |
| PIR .....                                 | 24     |
| RCSTA .....                               | 84     |
| Special Function Table .....              | 34     |
| T0STA .....                               | 38, 67 |
| TCON1 .....                               | 71     |
| TCON2 .....                               | 72     |
| TMR1 .....                                | 81     |
| TMR2 .....                                | 81     |
| TMR3 .....                                | 81     |
| TXSTA .....                               | 83     |
| WREG .....                                | 27     |
| Reset                                     |        |
| Section .....                             | 15     |
| Status Bits and Their Significance .....  | 16     |
| Time-Out in Various Situations .....      | 16     |
| Time-Out Sequence .....                   | 16     |
| RETFIE .....                              | 131    |
| RETLW .....                               | 131    |
| RETURN .....                              | 132    |
| RLCF .....                                | 132    |
| RLNCF .....                               | 133    |
| RRCF .....                                | 133    |
| RRNCF .....                               | 134    |
| RX Pin Sampling Scheme .....              | 91     |
| RX9 .....                                 | 84     |
| RX9D .....                                | 84     |

## S

|  |                    |
|--|--------------------|
| Sampling .....                         | 91                 |
| Saving STATUS and WREG in RAM .....    | 27                 |
| SETF .....                             | 134                |
| SFR .....                              | 108                |
| SFR (Special Function Registers) ..... | 29, 32             |
| SFR As Source/Destination .....        | 108                |
| Signed Math .....                      | 9                  |
| SLEEP .....                            | 99, 105, 135       |
| Software Simulator (MPSIM) .....       | 145                |
| SPBRG .....                            | 19, 34, 92, 96, 98 |
| Special Features of the CPU .....      | 99                 |
| Special Function Registers .....       | 29, 32, 34, 108    |
| SPEN .....                             | 84                 |
| SREN .....                             | 84                 |
| Stack                                  |                    |
| Operation .....                        | 39                 |
| Pointer .....                          | 39                 |
| Stack .....                            | 29                 |
| STKAL .....                            | 39                 |
| STKAV .....                            | 37                 |
| SUBLW .....                            | 135                |
| SUBWF .....                            | 136                |
| SUBWFB .....                           | 136                |

|                                       |     |
|---------------------------------------|-----|
| SWAPF .....                           | 137 |
| SYNC .....                            | 83  |
| Synchronous Master Mode .....         | 93  |
| Synchronous Master Reception .....    | 95  |
| Synchronous Master Transmission ..... | 93  |
| Synchronous Slave Mode .....          | 97  |

## T

|                               |              |
|-------------------------------|--------------|
| T0CKI Pin .....               | 26           |
| T0CKIE .....                  | 22           |
| T0CKIF .....                  | 22           |
| T0CS .....                    | 38, 67       |
| T0IE .....                    | 22           |
| T0IF .....                    | 22           |
| T0SE .....                    | 38, 67       |
| T0STA .....                   | 34, 38       |
| T16 .....                     | 71           |
| Table Latch .....             | 40           |
| Table Pointer .....           | 40           |
| Table Read                    |              |
| Example .....                 | 48           |
| Section .....                 | 43           |
| Table Reads Section .....     | 48           |
| TABLRD Operation .....        | 44           |
| Timing .....                  | 48           |
| TLRD .....                    | 48           |
| TLRD Operation .....          | 44           |
| Table Write                   |              |
| Code .....                    | 46           |
| Interaction .....             | 45           |
| Section .....                 | 43           |
| TABLWT Operation .....        | 43           |
| Terminating Long Writes ..... | 45           |
| Timing .....                  | 46           |
| TLWT Operation .....          | 43           |
| To External Memory .....      | 46           |
| To Internal Memory .....      | 45           |
| TABLRD .....                  | 44, 137, 138 |
| TABLWT .....                  | 43, 138, 139 |
| TBLATH .....                  | 40           |
| TBLATL .....                  | 40           |
| TBLPTRH .....                 | 34, 40       |
| TBLPTRL .....                 | 34, 40       |
| TCLK12 .....                  | 71           |
| TCLK3 .....                   | 71           |
| TCON1 .....                   | 20, 35       |
| TCON2 .....                   | 20, 35       |
| Terminating Long Writes ..... | 45           |
| Time-Out Sequence .....       | 16           |
| Timer Resources .....         | 65           |
| Timer0 .....                  | 67           |
| Timer1                        |              |
| 16-bit Mode .....             | 74           |
| Clock Source Select .....     | 71           |
| On bit .....                  | 72           |
| Section .....                 | 71, 73       |
| Timer2                        |              |
| 16-bit Mode .....             | 74           |
| Clock Source Select .....     | 71           |
| On bit .....                  | 72           |
| Section .....                 | 71, 73       |
| Timer3                        |              |
| Clock Source Select .....     | 71           |
| On bit .....                  | 72           |
| Section .....                 | 71, 77       |

# PIC17C4X

|   |                        |
|---|------------------------|
| Timing Diagrams                               |                        |
| Asynchronous Master Transmission              | 90                     |
| Asynchronous Reception                        | 92                     |
| Back to Back Asynchronous Master Transmission | 90                     |
| Interrupt (INT, TMR0 Pins)                    | 26                     |
| PIC17C42 Capture                              | 159                    |
| PIC17C42 CLKOUT and I/O                       | 156                    |
| PIC17C42 Memory Interface Read                | 162                    |
| PIC17C42 Memory Interface Write               | 161                    |
| PIC17C42 PWM Timing                           | 159                    |
| PIC17C42 RESET, Watchdog Timer, Oscillator    |                        |
| Start-up Timer and Power-up Timer             | 157                    |
| PIC17C42 Timer0 Clock                         | 158                    |
| PIC17C42 Timer1, Timer2 and Timer3 Clock      | 158                    |
| PIC17C42 USART Module, Synchronous            |                        |
| Receive                                       | 160                    |
| PIC17C42 USART Module, Synchronous            |                        |
| Transmission                                  | 160                    |
| PIC17C43/44 Capture Timing                    | 188                    |
| PIC17C43/44 CLKOUT and I/O                    | 185                    |
| PIC17C43/44 External Clock                    | 184                    |
| PIC17C43/44 Memory Interface Read             | 191                    |
| PIC17C43/44 Memory Interface Write            | 190                    |
| PIC17C43/44 PWM Timing                        | 188                    |
| PIC17C43/44 RESET, Watchdog Timer, Oscillator |                        |
| Start-up Timer and Power-up Timer             | 186                    |
| PIC17C43/44 Timer0 Clock                      | 187                    |
| PIC17C43/44 Timer1, Timer2 and Timer3 Clock   | 187                    |
| PIC17C43/44 USART Module Synchronous          |                        |
| Receive                                       | 189                    |
| PIC17C43/44 USART Module Synchronous          |                        |
| Transmission                                  | 189                    |
| Synchronous Reception                         | 95                     |
| Synchronous Transmission                      | 94                     |
| Table Read                                    | 48                     |
| Table Write                                   | 46                     |
| TMR0  | 68, 69                 |
| TMR0 Read/Write in Timer Mode                 | 70                     |
| TMR1, TMR2, and TMR3 in External Clock Mode   | 80                     |
| TMR1, TMR2, and TMR3 in Timer Mode            | 81                     |
| Wake-Up from SLEEP                            | 105                    |
| Timing Diagrams and Specifications            | 155                    |
| Timing Parameter Symbology                    | 153                    |
| TLRD  | 44, 139                |
| TLWT  | 43, 140                |
| TMR0  |                        |
| 16-bit Read                                   | 69                     |
| 16-bit Write                                  | 69                     |
| Clock Timing                                  | 158                    |
| Module  | 68                     |
| Operation                                     | 68                     |
| Overview                                      | 65                     |
| Prescaler Assignments                         | 69                     |
| Read/Write Considerations                     | 69                     |
| Read/Write in Timer Mode                      | 70                     |
| Timing  | 68, 69                 |
| TMR0 STATUS/Control Register (T0STA)          | 38                     |
| TMR0H   | 34                     |
| TMR0L   | 34                     |
| TMR1  | 20, 35                 |
| 8-bit Mode                                    | 73                     |
| External Clock Input                          | 73                     |
| Overview                                      | 65                     |
| Timer Mode                                    | 81                     |
| Timing in External Clock Mode                 | 80                     |
| Two 8-bit Timer/Counter Mode                  | 73                     |
| Using with PWM                                | 75                     |
| TMR1CS  | 71                     |
| TMR1IE  | 23                     |
| TMR1IF  | 24                     |
| TMR1ON  | 72                     |
| TMR2  | 20, 35                 |
| 8-bit Mode                                    | 73                     |
| External Clock Input                          | 73                     |
| In Timer Mode                                 | 81                     |
| Timing in External Clock Mode                 | 80                     |
| Two 8-bit Timer/Counter Mode                  | 73                     |
| Using with PWM                                | 75                     |
| TMR2CS  | 71                     |
| TMR2IE  | 23                     |
| TMR2IF  | 24                     |
| TMR2ON  | 72                     |
| TMR3  |                        |
| Dual Capture1 Register Mode                   | 79                     |
| Example, Reading From                         | 80                     |
| Example, Writing To                           | 80                     |
| External Clock Input                          | 80                     |
| In Timer Mode                                 | 81                     |
| One Capture and One Period Register Mode      | 78                     |
| Overview                                      | 65                     |
| Reading/Writing                               | 80                     |
| Timing in External Clock Mode                 | 80                     |
| TMR3CS  | 71, 77                 |
| TMR3H   | 20, 35                 |
| TMR3IE  | 23                     |
| TMR3IF  | 24, 77                 |
| TMR3L   | 20, 35                 |
| TMR3ON  | 72, 77                 |
| $\overline{TO}$                               | 37, 103, 105           |
| Transmit Status and Control Register          | 83                     |
| TRMT  | 83                     |
| TSTFSZ  | 140                    |
| Turning on 16-bit Timer                       | 74                     |
| TX9   | 83                     |
| TX9d  | 83                     |
| TXEN  | 83                     |
| TXIE  | 23                     |
| TXIF  | 24                     |
| TXREG   | 19, 34, 89, 93, 97, 98 |
| TXSTA   | 19, 34, 92, 96, 98     |
| <b>U</b>                                      |                        |
| Upward Compatibility                          | 5                      |
| USART   |                        |
| Asynchronous Master Transmission              | 90                     |
| Asynchronous Mode                             | 89                     |
| Asynchronous Receive                          | 91                     |
| Asynchronous Transmitter                      | 89                     |
| Baud Rate Generator                           | 86                     |
| Synchronous Master Mode                       | 93                     |
| Synchronous Master Reception                  | 95                     |
| Synchronous Master Transmission               | 93                     |
| Synchronous Slave Mode                        | 97                     |
| Synchronous Slave Transmit                    | 97                     |
| <b>W</b>                                      |                        |
| Wake-up from SLEEP                            | 105                    |
| Wake-up from SLEEP Through Interrupt          | 105                    |
| Watchdog Timer                                | 99, 103                |

|                                  |         |
|----------------------------------|---------|
| WDT .....                        | 99, 103 |
| Clearing the WDT .....           | 103     |
| Normal Timer .....               | 103     |
| Period .....                     | 103     |
| Programming Considerations ..... | 103     |
| WDTPS0 .....                     | 99      |
| WDTPS1 .....                     | 99      |
| WREG .....                       | 34      |

## X

|             |     |
|-------------|-----|
| XORLW ..... | 141 |
| XORWF ..... | 141 |

## Z

|                |       |
|----------------|-------|
| Z .....        | 9, 36 |
| Zero (Z) ..... | 9     |

## LIST OF EXAMPLES

|   |     |
|---|-----|
| Example 3-1: Signed Math .....                                      | 9   |
| Example 3-2: Instruction Pipeline Flow .....                        | 14  |
| Example 5-1: Saving STATUS and WREG in RAM .....                    | 27  |
| Example 6-1: Indirect Addressing .....                              | 40  |
| Example 7-1: Table Write .....                                      | 46  |
| Example 7-2: Table Read .....                                       | 48  |
| Example 8-1: 8 x 8 Multiply Routine .....                           | 49  |
| Example 8-2: 8 x 8 Signed Multiply Routine .....                    | 49  |
| Example 8-3: 16 x 16 Multiply Routine .....                         | 50  |
| Example 8-4: 16 x 16 Signed Multiply Routine .....                  | 51  |
| Example 9-1: Initializing PORTB .....                               | 57  |
| Example 9-2: Initializing PORTC .....                               | 58  |
| Example 9-3: Initializing PORTD .....                               | 60  |
| Example 9-4: Initializing PORTE .....                               | 62  |
| Example 9-5: Read Modify Write Instructions on an<br>I/O Port ..... | 64  |
| Example 11-1: 16-Bit Read .....                                     | 69  |
| Example 11-2: 16-Bit Write .....                                    | 69  |
| Example 12-1: Sequence to Read Capture Registers .....              | 78  |
| Example 12-2: Writing to TMR3 .....                                 | 80  |
| Example 12-3: Reading from TMR3 .....                               | 80  |
| Example 13-1: Calculating Baud Rate Error .....                     | 86  |
| Example F-1: PIC17C42 to Sleep .....                                | 223 |

## LIST OF FIGURES

|   |    |
|---|----|
| Figure 3-1: PIC17C42 Block Diagram .....  | 10 |
| Figure 3-2: PIC17CR42/42A/43/R43/44 Block<br>Diagram .....                            | 11 |
| Figure 3-3: Clock/Instruction Cycle .....   | 14 |
| Figure 4-1: Simplified Block Diagram of On-chip<br>Reset Circuit .....                | 15 |
| Figure 4-2: Time-Out Sequence on Power-Up<br>(MCLR Tied to VDD) .....                 | 17 |
| Figure 4-3: Time-Out Sequence on Power-Up<br>(MCLR <b>NOT</b> Tied to VDD) .....      | 17 |
| Figure 4-4: Slow Rise Time (MCLR Tied to VDD) .....                                   | 17 |
| Figure 4-5: Oscillator Start-Up Time .....  | 18 |
| Figure 4-6: Using On-Chip POR .....   | 18 |
| Figure 4-7: Brown-out Protection Circuit 1 .....                                      | 18 |
| Figure 4-8: PIC17C42 External Power-On Reset<br>Circuit (For Slow VDD Power-Up) ..... | 18 |
| Figure 4-9: Brown-out Protection Circuit 2 .....                                      | 18 |
| Figure 5-1: Interrupt Logic .....   | 21 |
| Figure 5-2: INTSTA Register (Address: 07h,<br>Unbanked) .....                         | 22 |
| Figure 5-3: PIE Register (Address: 17h, Bank 1) .....                                 | 23 |
| Figure 5-4: PIR Register (Address: 16h, Bank 1) .....                                 | 24 |
| Figure 5-5: INT Pin / T0CKI Pin Interrupt Timing .....                                | 26 |
| Figure 6-1: Program Memory Map and Stack .....  | 29 |
| Figure 6-2: Memory Map in Different Modes .....                                       | 30 |
| Figure 6-3: External Program Memory Access<br>Waveforms .....                         | 31 |
| Figure 6-4: Typical External Program Memory<br>Connection Diagram .....               | 31 |
| Figure 6-5: PIC17C42 Register File Map .....  | 33 |
| Figure 6-6: PIC17CR42/42A/43/R43/44 Register<br>File Map .....                        | 33 |
| Figure 6-7: ALUSTA Register (Address: 04h,<br>Unbanked) .....                         | 36 |
| Figure 6-8: CPUSTA Register (Address: 06h,<br>Unbanked) .....                         | 37 |
| Figure 6-9: T0STA Register (Address: 05h,<br>Unbanked) .....                          | 38 |
| Figure 6-10: Indirect Addressing .....  | 39 |
| Figure 6-11: Program Counter Operation .....  | 41 |

# PIC17C4X

|   |     |  |     |
|---|-----|--|-----|
| Figure 6-12: Program Counter using The CALL and GOTO Instructions.....                | 41  | Figure 14-3: Crystal Operation, Overtone Crystals (XT OSC Configuration).....                | 101 |
| Figure 6-13: BSR Operation (PIC17C43/R43/44).....                                     | 42  | Figure 14-4: External Clock Input Operation (EC OSC Configuration).....                      | 101 |
| Figure 7-1: TLWT Instruction Operation.....   | 43  | Figure 14-5: External Parallel Resonant Crystal Oscillator Circuit.....                      | 102 |
| Figure 7-2: TABLWT Instruction Operation.....   | 43  | Figure 14-6: External Series Resonant Crystal Oscillator Circuit.....                        | 102 |
| Figure 7-3: TLRD Instruction Operation.....   | 44  | Figure 14-7: RC Oscillator Mode.....   | 102 |
| Figure 7-4: TABLRD Instruction Operation.....   | 44  | Figure 14-8: Watchdog Timer Block Diagram.....   | 104 |
| Figure 7-5: TABLWT Write Timing (External Memory).....                                | 46  | Figure 14-9: Wake-up From Sleep Through Interrupt... ..                                      | 105 |
| Figure 7-6: Consecutive TABLWT Write Timing (External Memory).....                    | 47  | Figure 15-1: General Format for Instructions.....  | 108 |
| Figure 7-7: TABLRD Timing.....  | 48  | Figure 15-2: Q Cycle Activity.....   | 109 |
| Figure 7-8: TABLRD Timing (Consecutive TABLRD Instructions).....                      | 48  | Figure 17-1: Parameter Measurement Information.....  | 154 |
| Figure 9-1: RA0 and RA1 Block Diagram.....  | 53  | Figure 17-2: External Clock Timing.....  | 155 |
| Figure 9-2: RA2 and RA3 Block Diagram.....  | 54  | Figure 17-3: CLKOUT and I/O Timing.....  | 156 |
| Figure 9-3: RA4 and RA5 Block Diagram.....  | 54  | Figure 17-4: Reset, Watchdog Timer, Oscillator Start-Up Timer and Power-Up Timer Timing..... | 157 |
| Figure 9-4: Block Diagram of RB<7:4> and RB<1:0> Port Pins.....                       | 55  | Figure 17-5: Timer0 Clock Timings.....   | 158 |
| Figure 9-5: Block Diagram of RB3 and RB2 Port Pins..                                  | 56  | Figure 17-6: Timer1, Timer2, And Timer3 Clock Timings.....                                   | 158 |
| Figure 9-6: Block Diagram of RC<7:0> Port Pins.....                                   | 58  | Figure 17-7: Capture Timings.....  | 159 |
| Figure 9-7: PORTD Block Diagram (in I/O Port Mode).....                               | 60  | Figure 17-8: PWM Timings.....  | 159 |
| Figure 9-8: PORTE Block Diagram (in I/O Port Mode).....                               | 62  | Figure 17-9: USART Module: Synchronous Transmission (Master/Slave) Timing.....               | 160 |
| Figure 9-9: Successive I/O Operation.....   | 64  | Figure 17-10: USART Module: Synchronous Receive (Master/Slave) Timing.....                   | 160 |
| Figure 11-1: T0STA Register (Address: 05h, Unbanked).....                             | 67  | Figure 17-11: Memory Interface Write Timing.....   | 161 |
| Figure 11-2: Timer0 Module Block Diagram.....   | 68  | Figure 17-12: Memory Interface Read Timing.....  | 162 |
| Figure 11-3: TMR0 Timing with External Clock (Increment on Falling Edge).....         | 68  | Figure 18-1: Typical RC Oscillator Frequency vs. Temperature.....                            | 163 |
| Figure 11-4: TMR0 Timing: Write High or Low Byte.....                                 | 69  | Figure 18-2: Typical RC Oscillator Frequency vs. VDD.....                                    | 164 |
| Figure 11-5: TMR0 Read/Write in Timer Mode.....                                       | 70  | Figure 18-3: Typical RC Oscillator Frequency vs. VDD.....                                    | 164 |
| Figure 12-1: TCON1 Register (Address: 16h, Bank 3) ...                                | 71  | Figure 18-4: Typical RC Oscillator Frequency vs. VDD.....                                    | 165 |
| Figure 12-2: TCON2 Register (Address: 17h, Bank 3) ...                                | 72  | Figure 18-5: Transconductance (gm) of LF Oscillator vs. VDD.....                             | 166 |
| Figure 12-3: Timer1 and Timer2 in Two 8-bit Timer/Counter Mode.....                   | 73  | Figure 18-6: Transconductance (gm) of XT Oscillator vs. VDD.....                             | 166 |
| Figure 12-4: TMR1 and TMR2 in 16-bit Timer/Counter Mode.....                          | 74  | Figure 18-7: Typical IDD vs. Frequency (External Clock 25°C).....                            | 167 |
| Figure 12-5: Simplified PWM Block Diagram.....  | 75  | Figure 18-8: Maximum IDD vs. Frequency (External Clock 125°C to -40°C).....                  | 167 |
| Figure 12-6: PWM Output.....  | 75  | Figure 18-9: Typical IPD vs. VDD Watchdog Disabled 25°C.....                                 | 168 |
| Figure 12-7: Timer3 with One Capture and One Period Register Block Diagram.....       | 78  | Figure 18-10: Maximum IPD vs. VDD Watchdog Disabled.....                                     | 168 |
| Figure 12-8: Timer3 with Two Capture Registers Block Diagram.....                     | 79  | Figure 18-11: Typical IPD vs. VDD Watchdog Enabled 25°C.....                                 | 169 |
| Figure 12-9: TMR1, TMR2, and TMR3 Operation in External Clock Mode.....               | 80  | Figure 18-12: Maximum IPD vs. VDD Watchdog Enabled.....                                      | 169 |
| Figure 12-10: TMR1, TMR2, and TMR3 Operation in Timer Mode.....                       | 81  | Figure 18-13: WDT Timer Time-Out Period vs. VDD.....   | 170 |
| Figure 13-1: TXSTA Register (Address: 15h, Bank 0) ...                                | 83  | Figure 18-14: IOH vs. VOH, VDD = 3V.....   | 170 |
| Figure 13-2: RCSTA Register (Address: 13h, Bank 0) ...                                | 84  | Figure 18-15: IOH vs. VOH, VDD = 5V.....   | 171 |
| Figure 13-3: USART Transmit.....  | 85  | Figure 18-16: IOL vs. VOL, VDD = 3V.....   | 171 |
| Figure 13-4: USART Receive.....   | 85  | Figure 18-17: IOL vs. VOL, VDD = 5V.....   | 172 |
| Figure 13-5: Asynchronous Master Transmission.....                                    | 90  | Figure 18-18: VTH (Input Threshold Voltage) of I/O Pins (TTL) vs. VDD.....                   | 172 |
| Figure 13-6: Asynchronous Master Transmission (Back to Back).....                     | 90  | Figure 18-19: VTH, VIL of I/O Pins (Schmitt Trigger) vs. VDD.....                            | 173 |
| Figure 13-7: RX Pin Sampling Scheme.....  | 91  | Figure 18-20: VTH (Input Threshold Voltage) of OSC1 Input (In XT and LF Modes) vs. VDD.....  | 173 |
| Figure 13-8: Asynchronous Reception.....  | 92  | Figure 19-1: Parameter Measurement Information.....  | 183 |
| Figure 13-9: Synchronous Transmission.....  | 94  |  |     |
| Figure 13-10: Synchronous Transmission (Through TXEN).....                            | 94  |  |     |
| Figure 13-11: Synchronous Reception (Master Mode, SREN).....                          | 95  |  |     |
| Figure 14-1: Configuration Word.....  | 99  |  |     |
| Figure 14-2: Crystal or Ceramic Resonator Operation (XT or LF OSC Configuration)..... | 100 |  |     |



|                       |  |     |              |   |     |
|-----------------------|--|-----|--------------|---|-----|
| Figure 19-2:          | External Clock Timing.....   | 184 | Table 6-2:   | EPROM Memory Access Time<br>Ordering Suffix .....   | 31  |
| Figure 19-3:          | CLKOUT and I/O Timing.....   | 185 | Table 6-3:   | Special Function Registers.....   | 34  |
| Figure 19-4:          | Reset, Watchdog Timer,<br>Oscillator Start-Up Timer, and<br>Power-Up Timer Timing..... | 186 | Table 7-1:   | Interrupt - Table Write Interaction.....  | 45  |
| Figure 19-5:          | Timer0 Clock Timings .....   | 187 | Table 8-1:   | Performance Comparison .....  | 49  |
| Figure 19-6:          | Timer1, Timer2, and Timer3 Clock<br>Timings .....                                      | 187 | Table 9-1:   | PORTA Functions .....   | 54  |
| Figure 19-7:          | Capture Timings .....  | 188 | Table 9-2:   | Registers/Bits Associated with PORTA.....   | 54  |
| Figure 19-8:          | PWM Timings .....  | 188 | Table 9-3:   | PORTB Functions .....   | 57  |
| Figure 19-9:          | USART Module: Synchronous<br>Transmission (Master/Slave) Timing .....                  | 189 | Table 9-4:   | Registers/Bits Associated with PORTB.....   | 57  |
| Figure 19-10:         | USART Module: Synchronous<br>Receive (Master/Slave) Timing.....                        | 189 | Table 9-5:   | PORTC Functions .....   | 59  |
| Figure 19-11:         | Memory Interface Write Timing<br>(Not Supported in PIC17LC4X Devices)...               | 190 | Table 9-6:   | Registers/Bits Associated with PORTC.....   | 59  |
| Figure 19-12:         | Memory Interface Read Timing<br>(Not Supported in PIC17LC4X Devices)...                | 191 | Table 9-7:   | PORTD Functions .....   | 61  |
| Figure 20-1:          | Typical RC Oscillator Frequency vs.<br>Temperature .....                               | 193 | Table 9-8:   | Registers/Bits Associated with PORTD.....   | 61  |
| Figure 20-2:          | Typical RC Oscillator Frequency<br>vs. VDD.....  | 194 | Table 9-9:   | PORTE Functions .....   | 63  |
| Figure 20-3:          | Typical RC Oscillator Frequency<br>vs. VDD.....  | 194 | Table 9-10:  | Registers/Bits Associated with PORTE.....   | 63  |
| Figure 20-4:          | Typical RC Oscillator Frequency<br>vs. VDD.....  | 195 | Table 11-1:  | Registers/Bits Associated with Timer0.....  | 70  |
| Figure 20-5:          | Transconductance (gm) of LF Oscillator<br>vs. VDD.....                                 | 196 | Table 12-1:  | Turning On 16-bit Timer .....   | 74  |
| Figure 20-6:          | Transconductance (gm) of XT Oscillator<br>vs. VDD.....                                 | 196 | Table 12-2:  | Summary of Timer1 and Timer2<br>Registers .....   | 74  |
| Figure 20-7:          | Typical IDD vs. Frequency (External<br>Clock 25°C).....                                | 197 | Table 12-3:  | PWM Frequency vs. Resolution at<br>25 MHz .....   | 76  |
| Figure 20-8:          | Maximum IDD vs. Frequency (External<br>Clock 125°C to -40°C) .....                     | 197 | Table 12-4:  | Registers/Bits Associated with PWM .....  | 77  |
| Figure 20-9:          | Typical IPD vs. VDD Watchdog<br>Disabled 25°C.....                                     | 198 | Table 12-5:  | Registers Associated with Capture .....   | 79  |
| Figure 20-10:         | Maximum IPD vs. VDD Watchdog<br>Disabled.....  | 198 | Table 12-6:  | Summary of TMR1, TMR2, and TMR3<br>Registers .....  | 81  |
| Figure 20-11:         | Typical IPD vs. VDD Watchdog<br>Enabled 25°C.....                                      | 199 | Table 13-1:  | Baud Rate Formula .....   | 86  |
| Figure 20-12:         | Maximum IPD vs. VDD Watchdog<br>Enabled.....   | 199 | Table 13-2:  | Registers Associated with Baud Rate<br>Generator .....  | 86  |
| Figure 20-13:         | WDT Timer Time-Out Period vs. VDD.....   | 200 | Table 13-3:  | Baud Rates for Synchronous Mode .....   | 87  |
| Figure 20-14:         | IOH vs. VOH, VDD = 3V .....  | 200 | Table 13-4:  | Baud Rates for Asynchronous Mode.....   | 88  |
| Figure 20-15:         | IOH vs. VOH, VDD = 5V .....  | 201 | Table 13-5:  | Registers Associated with Asynchronous<br>Transmission .....  | 90  |
| Figure 20-16:         | IOL vs. VOL, VDD = 3V .....  | 201 | Table 13-6:  | Registers Associated with Asynchronous<br>Reception .....   | 92  |
| Figure 20-17:         | IOL vs. VOL, VDD = 5V .....  | 202 | Table 13-7:  | Registers Associated with Synchronous<br>Master Transmission .....  | 94  |
| Figure 20-18:         | VTH (Input Threshold Voltage) of<br>I/O Pins (TTL) vs. VDD.....                        | 202 | Table 13-8:  | Registers Associated with Synchronous<br>Master Reception .....   | 96  |
| Figure 20-19:         | VTH, VIL of I/O Pins (Schmitt Trigger)<br>vs. VDD .....                                | 203 | Table 13-9:  | Registers Associated with Synchronous<br>Slave Transmission .....   | 98  |
| Figure 20-20:         | VTH (Input Threshold Voltage) of OSC1<br>Input (In XT and LF Modes) vs. VDD.....       | 203 | Table 13-10: | Registers Associated with Synchronous<br>Slave Reception .....  | 98  |
| <b>LIST OF TABLES</b> |  |     | Table 14-1:  | Configuration Locations.....  | 100 |
| Table 1-1:            | PIC17CXX Family of Devices .....   | 6   | Table 14-2:  | Capacitor Selection for Ceramic<br>Resonators .....   | 101 |
| Table 3-1:            | Pinout Descriptions.....   | 12  | Table 14-3:  | Capacitor Selection for Crystal<br>Oscillator.....  | 101 |
| Table 4-1:            | Time-Out in Various Situations .....   | 16  | Table 14-4:  | Registers/Bits Associated with the<br>Watchdog Timer .....  | 104 |
| Table 4-2:            | STATUS Bits and Their Significance .....   | 16  | Table 15-1:  | Opcode Field Descriptions .....   | 107 |
| Table 4-3:            | Reset Condition for the Program Counter<br>and the CPUSTA Register.....                | 16  | Table 15-2:  | PIC17CXX Instruction Set .....  | 110 |
| Table 4-4:            | Initialization Conditions For Special<br>Function Registers.....                       | 19  | Table 16-1:  | development tools from microchip.....   | 146 |
| Table 5-1:            | Interrupt Vectors/Priorities .....   | 25  | Table 17-1:  | Cross Reference of Device Specs for<br>Oscillator Configurations and Frequencies<br>of Operation (Commercial Devices) ..... | 148 |
| Table 6-1:            | Mode Memory Access .....   | 30  | Table 17-2:  | External Clock Timing Requirements.....   | 155 |
|                       |  |     | Table 17-3:  | CLKOUT and I/O Timing Requirements....  | 156 |
|                       |  |     | Table 17-4:  | Reset, Watchdog Timer,<br>Oscillator Start-Up Timer and<br>Power-Up Timer Requirements.....                                 | 157 |
|                       |  |     | Table 17-5:  | Timer0 Clock Requirements.....  | 158 |
|                       |  |     | Table 17-6:  | Timer1, Timer2, and Timer3 Clock<br>Requirements .....  | 158 |
|                       |  |     | Table 17-7:  | Capture Requirements .....  | 159 |
|                       |  |     | Table 17-8:  | PWM Requirements .....  | 159 |

# PIC17C4X

---

|              |   |     |
|--------------|---|-----|
| Table 17-9:  | Serial Port Synchronous Transmission Requirements .....   | 160 |
| Table 17-10: | Serial Port Synchronous Receive Requirements .....  | 160 |
| Table 17-11: | Memory Interface Write Requirements .....   | 161 |
| Table 17-12: | Memory Interface Read Requirements .....  | 162 |
| Table 18-1:  | Pin Capacitance per Package Type .....  | 163 |
| Table 18-2:  | RC Oscillator Frequencies .....   | 165 |
| Table 19-1:  | Cross Reference of Device Specs for Oscillator Configurations and Frequencies of Operation (Commercial Devices) ..... | 176 |
| Table 19-2:  | External Clock Timing Requirements .....  | 184 |
| Table 19-3:  | CLKOUT and I/O Timing Requirements ...  | 185 |
| Table 19-4:  | Reset, Watchdog Timer, Oscillator Start-Up Timer and Power-Up Timer Requirements .....                                | 186 |
| Table 19-5:  | Timer0 Clock Requirements .....   | 187 |
| Table 19-6:  | Timer1, Timer2, and Timer3 Clock Requirements .....   | 187 |
| Table 19-7:  | Capture Requirements .....  | 188 |
| Table 19-8:  | PWM Requirements .....  | 188 |
| Table 19-9:  | Synchronous Transmission Requirements .....   | 189 |
| Table 19-10: | Synchronous Receive Requirements .....  | 189 |
| Table 19-11: | Memory Interface Write Requirements (Not Supported in PIC17LC4X Devices) ...  | 190 |
| Table 19-12: | Memory Interface read Requirements (Not Supported in PIC17LC4X Devices) ...   | 191 |
| Table 20-1:  | Pin Capacitance per Package Type .....  | 193 |
| Table 20-2:  | RC Oscillator Frequencies .....   | 195 |
| Table E-1:   | Pin Compatible Devices .....  | 221 |

## LIST OF EQUATIONS

|               |   |    |
|---------------|---|----|
| Equation 8-1: | 16 x 16 Unsigned Multiplication Algorithm ..... | 50 |
| Equation 8-2: | 16 x 16 Signed Multiplication Algorithm .....   | 51 |

## ON-LINE SUPPORT

Microchip provides two methods of on-line support. These are the Microchip BBS and the Microchip World Wide Web (WWW) site.

Use Microchip's Bulletin Board Service (BBS) to get current information and help about Microchip products. Microchip provides the BBS communication channel for you to use in extending your technical staff with micro-controller and memory experts.

To provide you with the most responsive service possible, the Microchip systems team monitors the BBS, posts the latest component data and software tool updates, provides technical help and embedded systems insights, and discusses how Microchip products provide project solutions.

The web site, like the BBS, is used by Microchip as a means to make files and information easily available to customers. To view the site, the user must have access to the Internet and a web browser, such as Netscape or Microsoft Explorer. Files are also available for FTP download from our FTP site.

### Connecting to the Microchip Internet Web Site

The Microchip web site is available by using your favorite Internet browser to attach to:

**[www.microchip.com](http://www.microchip.com)**

The file transfer site is available by using an FTP service to connect to:

**[ftp.mchip.com/biz/mchip](ftp://mchip.com/biz/mchip)**

The web site and file transfer site provide a variety of services. Users may download files for the latest Development Tools, Data Sheets, Application Notes, User's Guides, Articles and Sample Programs. A variety of Microchip specific business information is also available, including listings of Microchip sales offices, distributors and factory representatives. Other data available for consideration is:

- Latest Microchip Press Releases
- Technical Support Section with Frequently Asked Questions
- Design Tips
- Device Errata
- Job Postings
- Microchip Consultant Program Member Listing
- Links to other useful web sites related to Microchip Products

### Connecting to the Microchip BBS

Connect worldwide to the Microchip BBS using either the Internet or the CompuServe® communications network.

#### Internet:

You can telnet or ftp to the Microchip BBS at the address:

**[mchipbbs.microchip.com](telnet://mchipbbs.microchip.com)**

### CompuServe Communications Network:

When using the BBS via the CompuServe Network, in most cases, a local call is your only expense. The Microchip BBS connection does not use CompuServe membership services, therefore you do not need CompuServe membership to join Microchip's BBS. There is no charge for connecting to the Microchip BBS.

The procedure to connect will vary slightly from country to country. Please check with your local CompuServe agent for details if you have a problem. CompuServe service allow multiple users various baud rates depending on the local point of access.

The following connect procedure applies in most locations.

1. Set your modem to 8-bit, No parity, and One stop (8N1). This is not the normal CompuServe setting which is 7E1.
2. Dial your local CompuServe access number.
3. Depress the <Enter> key and a garbage string will appear because CompuServe is expecting a 7E1 setting.
4. Type +, depress the <Enter> key and "Host Name:" will appear.
5. Type MCHIPBBS, depress the <Enter> key and you will be connected to the Microchip BBS.

In the United States, to find the CompuServe phone number closest to you, set your modem to 7E1 and dial (800) 848-4480 for 300-2400 baud or (800) 331-7166 for 9600-14400 baud connection. After the system responds with "Host Name:", type NETWORK, depress the <Enter> key and follow CompuServe's directions.

For voice information (or calling from overseas), you may call (614) 723-1550 for your local CompuServe number.

Microchip regularly uses the Microchip BBS to distribute technical information, application notes, source code, errata sheets, bug reports, and interim patches for Microchip systems software products. For each SIG, a moderator monitors, scans, and approves or disapproves files submitted to the SIG. No executable files are accepted from the user community in general to limit the spread of computer viruses.

### Systems Information and Upgrade Hot Line

The Systems Information and Upgrade Line provides system users a listing of the latest versions of all of Microchip's development systems software products. Plus, this line provides information on how customers can receive any currently available upgrade kits. The Hot Line Numbers are:

1-800-755-2345 for U.S. and most of Canada, and  
1-602-786-7302 for the rest of the world.

960513

Trademarks: The Microchip name, logo, PIC, PICSTART, PICMASTER and PRO MATE are registered trademarks of Microchip Technology Incorporated in the U.S.A. and other countries. FlexROM, MPLAB and fuzzyLAB, are trademarks and SQTP is a service mark of Microchip in the U.S.A.

fuzzyTECH is a registered trademark of Inform Software Corporation. IBM, IBM PC-AT are registered trademarks of International Business Machines Corp. Pentium is a trademark of Intel Corporation. Windows is a trademark and MS-DOS, Microsoft Windows are registered trademarks of Microsoft Corporation. CompuServe is a registered trademark of CompuServe Incorporated.

All other trademarks mentioned herein are the property of their respective companies.

# PIC17C4X

---

---

## READER RESPONSE

It is our intention to provide you with the best documentation possible to ensure successful use of your Microchip product. If you wish to provide your comments on organization, clarity, subject matter, and ways in which our documentation can better serve you, please FAX your comments to the Technical Publications Manager at (602) 786-7578.

Please list the following information, and use this outline to provide us with your comments about this Data Sheet.

To: Technical Publications Manager Total Pages Sent  
RE: Reader Response  
From: Name \_\_\_\_\_  
Company \_\_\_\_\_  
Address \_\_\_\_\_  
City / State / ZIP / Country \_\_\_\_\_  
Telephone: (\_\_\_\_\_) \_\_\_\_\_ - \_\_\_\_\_ FAX: (\_\_\_\_\_) \_\_\_\_\_ - \_\_\_\_\_

Application (optional):

Would you like a reply? \_\_\_Y \_\_\_N

Device: **PIC17C4X** Literature Number: **DS30412C**

Questions:

1. What are the best features of this document?  
\_\_\_\_\_  
\_\_\_\_\_
2. How does this document meet your hardware and software development needs?  
\_\_\_\_\_  
\_\_\_\_\_
3. Do you find the organization of this data sheet easy to follow? If not, why?  
\_\_\_\_\_  
\_\_\_\_\_
4. What additions to the data sheet do you think would enhance the structure and subject?  
\_\_\_\_\_  
\_\_\_\_\_
5. What deletions from the data sheet could be made without affecting the overall usefulness?  
\_\_\_\_\_  
\_\_\_\_\_
6. Is there any incorrect or misleading information (what and where)?  
\_\_\_\_\_  
\_\_\_\_\_
7. How would you improve this document?  
\_\_\_\_\_  
\_\_\_\_\_
8. How would you improve our software, systems, and silicon products?  
\_\_\_\_\_  
\_\_\_\_\_

## PIC17C4X Product Identification System

To order or to obtain information, e.g., on pricing or delivery, please use the listed part numbers, and refer to the factory or the listed sales offices.

| PART NO. – XX X /XX XXX |                           | Examples  |
|-------------------------|---------------------------|---|
|                         | <b>Pattern:</b>           | QTP, SQTP, ROM Code (factory specified) or Special Requirements. Blank for OTP and Windowed devices |
|                         | <b>Package:</b>           | P = PDIP<br>JW = Windowed CERDIP<br>P = PDIP (600 mil)<br>PQ = MQFP<br>PT = TQFP<br>L = PLCC        |
|                         | <b>Temperature Range:</b> | – = 0°C to +70°C<br>I = –40°C to +85°C  |
|                         | <b>Frequency Range:</b>   | 08 = 8 MHz<br>16 = 16 MHz<br>25 = 25 Mhz<br>33 = 33 Mhz   |
|                         | <b>Device:</b>            | PIC17C44 : Standard Vdd range<br>PIC17C44T : (Tape and Reel)<br>PIC17LC44 : Extended Vdd range      |
|                         |                           | a) PIC17C42 – 16/P<br>Commercial Temp.,<br>PDIP package,<br>16 MHz,<br>normal VDD limits            |
|                         |                           | b) PIC17LC44 – 08/PT<br>Commercial Temp.,<br>TQFP package,<br>8MHz,<br>extended VDD limits          |
|                         |                           | c) PIC17C43 – 25I/P<br>Industrial Temp.,<br>PDIP package,<br>25 MHz,<br>normal VDD limits           |

### Sales and Support

Products supported by a preliminary Data Sheet may possibly have an errata sheet describing minor operational differences and recommended workarounds. To determine if an errata sheet exists for a particular device, please contact one of the following:

1. Your local Microchip sales office (see below)
2. The Microchip Corporate Literature Center U.S. FAX: (602) 786-7277
3. The Microchip's Bulletin Board, via your local CompuServe number (CompuServe membership NOT required).

Please specify which device, revision of silicon and Data Sheet (include Literature #) you are using.

For latest version information and upgrade kits for Microchip Development Tools, please call 1-800-755-2345 or 1-602-786-7302.

# PIC17C4X

---

NOTES:

# PIC17C4X

---

---

NOTES:



## WORLDWIDE SALES AND SERVICE

### AMERICAS

#### Corporate Office

Microchip Technology Inc.  
2355 West Chandler Blvd.  
Chandler, AZ 85224-6199  
Tel: 480-786-7200 Fax: 480-786-7277  
Technical Support: 480-786-7627  
Web Address: <http://www.microchip.com>

#### Atlanta

Microchip Technology Inc.  
500 Sugar Mill Road, Suite 200B  
Atlanta, GA 30350  
Tel: 770-640-0034 Fax: 770-640-0307

#### Boston

Microchip Technology Inc.  
5 Mount Royal Avenue  
Marlborough, MA 01752  
Tel: 508-480-9990 Fax: 508-480-8575

#### Chicago

Microchip Technology Inc.  
333 Pierce Road, Suite 180  
Itasca, IL 60143  
Tel: 630-285-0071 Fax: 630-285-0075

#### Dallas

Microchip Technology Inc.  
4570 Westgrove Drive, Suite 160  
Addison, TX 75248  
Tel: 972-818-7423 Fax: 972-818-2924

#### Dayton

Microchip Technology Inc.  
Two Prestige Place, Suite 150  
Miamisburg, OH 45342  
Tel: 937-291-1654 Fax: 937-291-9175

#### Detroit

Microchip Technology Inc.  
Tri-Atria Office Building  
32255 Northwestern Highway, Suite 190  
Farmington Hills, MI 48334  
Tel: 248-538-2250 Fax: 248-538-2260

#### Los Angeles

Microchip Technology Inc.  
18201 Von Karman, Suite 1090  
Irvine, CA 92612  
Tel: 949-263-1888 Fax: 949-263-1338

#### New York

Microchip Technology Inc.  
150 Motor Parkway, Suite 202  
Hauppauge, NY 11788  
Tel: 631-273-5305 Fax: 631-273-5335

#### San Jose

Microchip Technology Inc.  
2107 North First Street, Suite 590  
San Jose, CA 95131  
Tel: 408-436-7950 Fax: 408-436-7955

### AMERICAS (continued)

#### Toronto

Microchip Technology Inc.  
5925 Airport Road, Suite 200  
Mississauga, Ontario L4V 1W1, Canada  
Tel: 905-405-6279 Fax: 905-405-6253

### ASIA/PACIFIC

#### Hong Kong

Microchip Asia Pacific  
Unit 2101, Tower 2  
Metroplaza  
223 Hing Fong Road  
Kwai Fong, N.T., Hong Kong  
Tel: 852-2-401-1200 Fax: 852-2-401-3431

#### Beijing

Microchip Technology, Beijing  
Unit 915, 6 Chaoyangmen Bei Dajie  
Dong Erhuan Road, Dongcheng District  
New China Hong Kong Manhattan Building  
Beijing 100027 PRC  
Tel: 86-10-85282100 Fax: 86-10-85282104

#### India

Microchip Technology Inc.  
India Liaison Office  
No. 6, Legacy, Convent Road  
Bangalore 560 025, India  
Tel: 91-80-229-0061 Fax: 91-80-229-0062

#### Japan

Microchip Technology Intl. Inc.  
Benex S-1 6F  
3-18-20, Shinyokohama  
Kohoku-Ku, Yokohama-shi  
Kanagawa 222-0033 Japan  
Tel: 81-45-471-6166 Fax: 81-45-471-6122

#### Korea

Microchip Technology Korea  
168-1, Youngbo Bldg. 3 Floor  
Samsung-Dong, Kangnam-Ku  
Seoul, Korea  
Tel: 82-2-554-7200 Fax: 82-2-558-5934

#### Shanghai

Microchip Technology  
RM 406 Shanghai Golden Bridge Bldg.  
2077 Yan'an Road West, Hong Qiao District  
Shanghai, PRC 200335  
Tel: 86-21-6275-5700 Fax: 86 21-6275-5060

### ASIA/PACIFIC (continued)

#### Singapore

Microchip Technology Singapore Pte Ltd.  
200 Middle Road  
#07-02 Prime Centre  
Singapore 188980  
Tel: 65-334-8870 Fax: 65-334-8850

#### Taiwan, R.O.C

Microchip Technology Taiwan  
10F-1C 207  
Tung Hua North Road  
Taipei, Taiwan, ROC  
Tel: 886-2-2717-7175 Fax: 886-2-2545-0139

### EUROPE

#### United Kingdom

Arizona Microchip Technology Ltd.  
505 Eskdale Road  
Wokingham  
Berkshire, England RG41 5TU  
Tel: 44 118 921 5858 Fax: 44-118 921-5835

#### Denmark

Microchip Technology Denmark ApS  
Regus Business Centre  
Lautrup hof 1-3  
Ballerup DK-2750 Denmark  
Tel: 45 4420 9895 Fax: 45 4420 9910

#### France

Arizona Microchip Technology SARL  
Parc d'Activite du Moulin de Massy  
43 Rue du Saule Trapu  
Batiment A - 1er Etage  
91300 Massy, France  
Tel: 33-1-69-53-63-20 Fax: 33-1-69-30-90-79

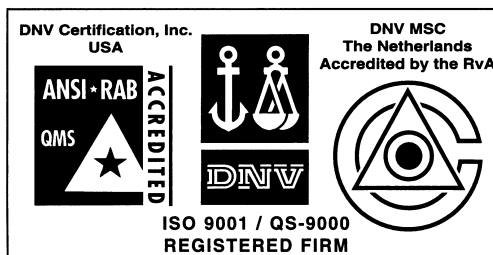
#### Germany

Arizona Microchip Technology GmbH  
Gustav-Heinemann-Ring 125  
D-81739 München, Germany  
Tel: 49-89-627-144 0 Fax: 49-89-627-144-44

#### Italy

Arizona Microchip Technology SRL  
Centro Direzionale Colleoni  
Palazzo Taurus 1 V. Le Colleoni 1  
20041 Agrate Brianza  
Milan, Italy  
Tel: 39-039-65791-1 Fax: 39-039-6899883

11/15/99



Microchip received QS-9000 quality system certification for its worldwide headquarters, design and water fabrication facilities in Chandler and Tempe, Arizona in July 1999. The Company's quality system processes and procedures are QS-9000 compliant for its PICmicro® 8-bit MCUs, KEELoc® code hopping devices, Serial EEPROMs and microperipheral products. In addition, Microchip's quality system for the design and manufacture of development systems is ISO 9001 certified.

All rights reserved. © 1999 Microchip Technology Incorporated. Printed in the USA. 11/99 Printed on recycled paper.

Information contained in this publication regarding device applications and the like is intended for suggestion only and may be superseded by updates. No representation or warranty is given and no liability is assumed by Microchip Technology Incorporated with respect to the accuracy or use of such information, or infringement of patents or other intellectual property rights arising from such use or otherwise. Use of Microchip's products as critical components in life support systems is not authorized except with express written approval by Microchip. No licenses are conveyed, implicitly or otherwise, under any intellectual property rights. The Microchip logo and name are registered trademarks of Microchip Technology Inc. in the U.S.A. and other countries. All rights reserved. All other trademarks mentioned herein are the property of their respective companies.