

## CapSense Express™-10 Configurable GPIOs with PWM Control

### Features

- 10 configurable IOs supporting
  - CapSense™ buttons
  - LED drive
  - All GPIOs support LED dimming with configurable delay option
  - Interrupt outputs.
  - WAKE on interrupt input
  - Bi-directional sleep control pin
  - User defined input or output
- 2.4V to 3.6V and 4.75V to 5.25V operating voltage
- Industrial temperature range: -40°C to +85°C
- I<sup>2</sup>C slave interface for configuration and communication
  - I2C data transfer rate up to 400 kbps
- Reduce BOM cost
  - Internal oscillator - no external oscillators or crystal
  - Free development tool - no external tuning components
- Low operating current
  - Active current: continuous sensor scan: 1.5 mA
  - Deep sleep current: 4 uA
- Available in 16-pin COL and 16-pin SOIC packages

### Overview

The CapSense Express™ controller allows the control of 10 IOs configurable as capacitive sensing buttons or as GPIOs for driving LEDs or interrupt signals based on various button conditions.

The CY8C20110 is optimized for dimming LEDs in 15 selectable duty cycles for back light applications. The device can be configured to have up to 10 GPIOs connected to the PWM output. The PWM duty cycle is programmable for variable LED intensities.

The user has the ability to configure buttons, outputs, and parameters through specific commands sent to the I<sup>2</sup>C port. The IOs have the flexibility of mapping to capacitive buttons and as standard GPIO functions such as interrupt output or input, LED drive, and digital mapping of input to output using simple logical operations. This enables easy PCB trace routing and reduces the PCB size and stack up. CapSense Express products are designed for easy integration into complex products.

### Architecture

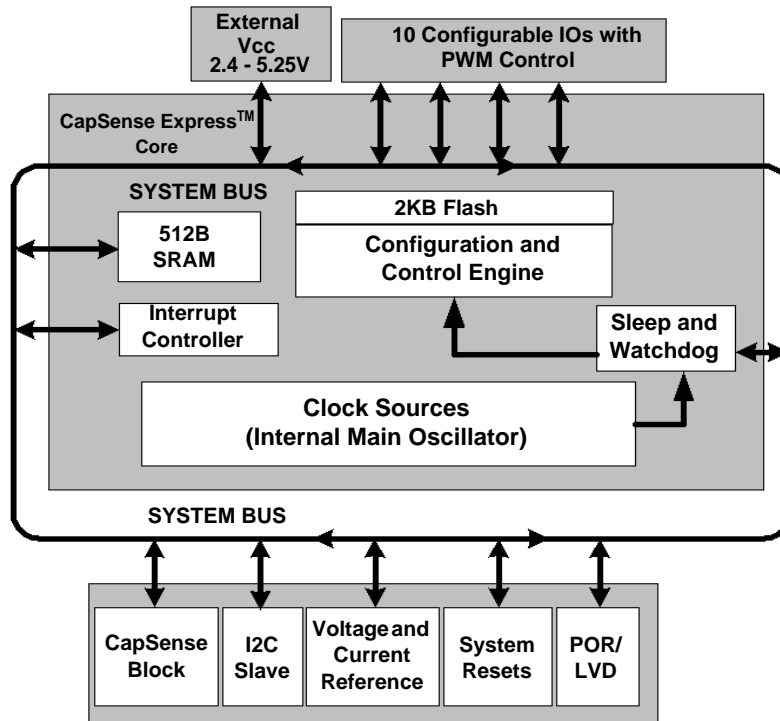
The logic block diagram illustrates the internal architecture of CY8C20110.

The user is able to configure registers with parameters needed to adjust the operation and sensitivity of the CapSense system. CY8C20110 supports a standard I<sup>2</sup>C serial communication interface that allows the host to configure the device and to read sensor information in real time through easy register access.

### The CapSense Express Core

The CapSense Express Core has a powerful configuration and control block. It encompasses SRAM for data storage, an interrupt controller, along with sleep and watchdog timers. System resources provide additional capability, such as a configurable I<sup>2</sup>C slave communication interface and various system resets. The Analog system contains the CapSense PSoC block which supports capacitive sensing of up to 10 inputs.

Logic Block Diagram



Pinouts

Figure 1. Pin Diagram - 16 Pin COL

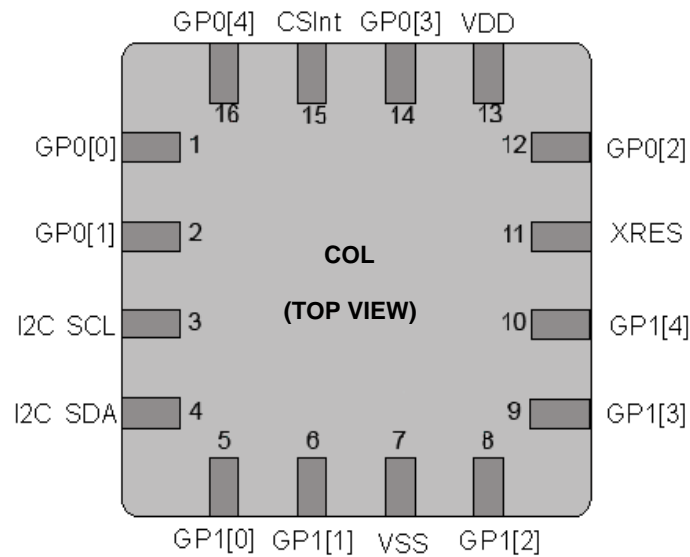


Table 1. Pin Definitions - 16 Pin COL

Pin Number	Name	Description
1	GP0[0]	Configurable as CapSense or GPIO
2	GP0[1]	Configurable as CapSense or GPIO
3	I <sup>2</sup> C SCL	I <sup>2</sup> C clock
4	I <sup>2</sup> C SDA	I <sup>2</sup> C data
5	GP1[0]	Configurable as CapSense or GPIO
6	GP1[1]	Configurable as CapSense or GPIO
7	VSS	Ground connection
8	GP1[2]	Configurable as CapSense or GPIO
9	GP1[3]	Configurable as CapSense or GPIO
10	GP1[4]	Configurable as Capsense or GPIO
11	XRES	Active HIGH external reset with internal pull down
12	GP0[2]	Configurable as CapSense or GPIO
13	VDD	Supply voltage
14	GP0[3]	Configurable as CapSense or GPIO
15	CSInt	Integrating Capacitor Input. The external capacitance is required only if 5:1 SNR cannot be achieved. Typical range is 10-100 nF
16	GP0[4]	Configurable as CapSense or GPIO

Figure 2. Pin Diagram - 16 Pin SOIC

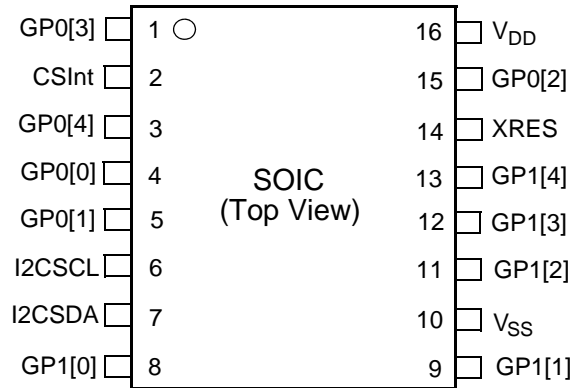


Table 2. Pin Definitions - 16 Pin SOIC

Pin Number	Name	Description
1	GP0[3]	Configurable as CapSense or GPIO
2	CSInt	Integrating Capacitor Input. The external capacitance is required only if 5:1 SNR cannot be achieved. Typical range is 10-100 nF.
3	GP0[4]	Configurable as CapSense or GPIO
4	GP0[0]	Configurable as CapSense or GPIO
5	GP0[1]	Configurable as CapSense or GPIO
6	I <sup>2</sup> C SCL	I <sup>2</sup> C clock
7	I <sup>2</sup> C SDA	I <sup>2</sup> C data
8	GP1[0]	Configurable as CapSense or GPIO
9	GP1[1]	Configurable as CapSense or GPIO
10	VSS	Ground connection
11	GP1[2]	Configurable as CapSense or GPIO
12	GP1[3]	Configurable as CapSense or GPIO
13	GP1[4]	Configurable as CapSense or GPIO
14	XRES	Active HIGH external reset with internal pull down.
15	GP0[2]	Configurable as CapSense or GPIO
16	VDD	Supply voltage

## The CapSense Analog System

The CapSense analog system contains the capacitive sensing hardware which supports CapSense Successive Approximation (CSA) algorithm. This hardware performs capacitive sensing and scanning without external components. Capacitive sensing is configurable on each pin.

## Additional System Resources

System Resources provide additional capability useful to complete systems. Additional resources are low voltage detection and Power On Reset (POR).

- The I<sup>2</sup>C slave provides 50, 100, or 400 kHz communication over two wires.
- Low Voltage Detection (LVD) interrupts signal the application of falling voltage levels and the advanced POR circuit eliminates the need for a system supervisor.

An internal 1.8V reference provides a stable internal reference so that capacitive sensing functionality is not affected by minor V<sub>DD</sub> changes.

## I<sup>2</sup>C Interface

The two modes of operation for the I<sup>2</sup>C interface are:

- Device register configuration and status read or write for controller
- Command execution

The I<sup>2</sup>C address is programmable during configuration. It is locked to prevent accidental change by setting a flag in a configuration register.

## CapSense Express Software Tool

An easy to use software tool integrated with PSoC Express is available for configuring and tuning CapSense Express devices. Refer to the Application Note "[CapSense \(TM\) Express Software Tool - AN42137](#)" for details of the software tool.

## CapSense Express Register Map

CapSense Express supports user configurable registers through which the device functionality and parameters are configured. For details, refer to "[CY8C201xx Register Reference Guide](#)" document.

## LED Dimming

To change the brightness and intensity of the LEDs, the host master (MCU, MPU, DSP, and so on) must send I<sup>2</sup>C commands and program the PWM registers to enable output pins, set duty cycle, and mode configuration. The single PWM source is connected to all GPIO pins and have a common user defined duty cycle. Each PWM enabled pin has two possible outputs: PWM and 0/1 (depending on the configuration).

Four different modes of LED dimming are possible, as shown in Figure 3 to Figure 6. The operation mode of the PWM enabled pins is common. This means that one pin cannot behave as in Mode1 and another pin as in Mode 2.

Figure 3. LED Dimming Mode 1: Change Intensity on ON/OFF Button Status

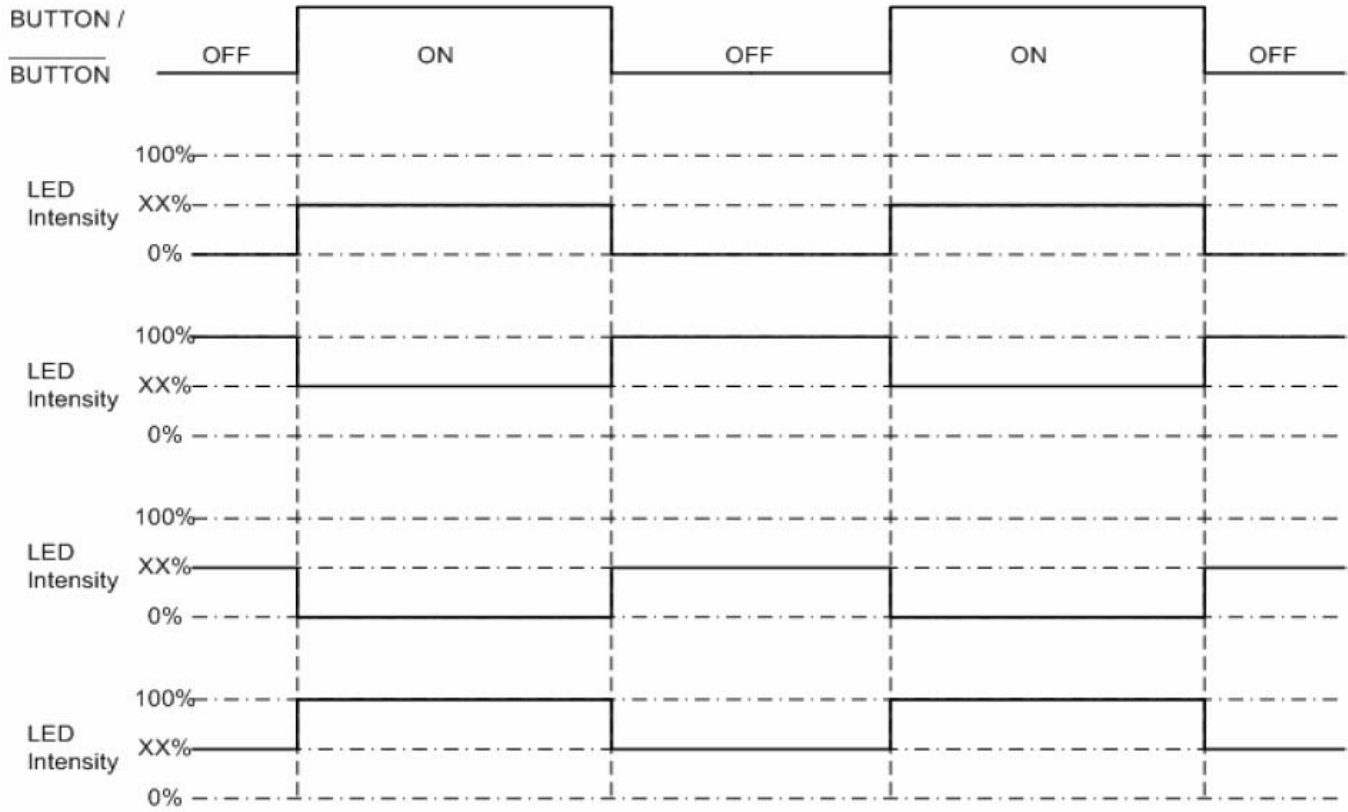


Figure 4. LED Dimming Mode 2: Flash Intensity on ON Button Status

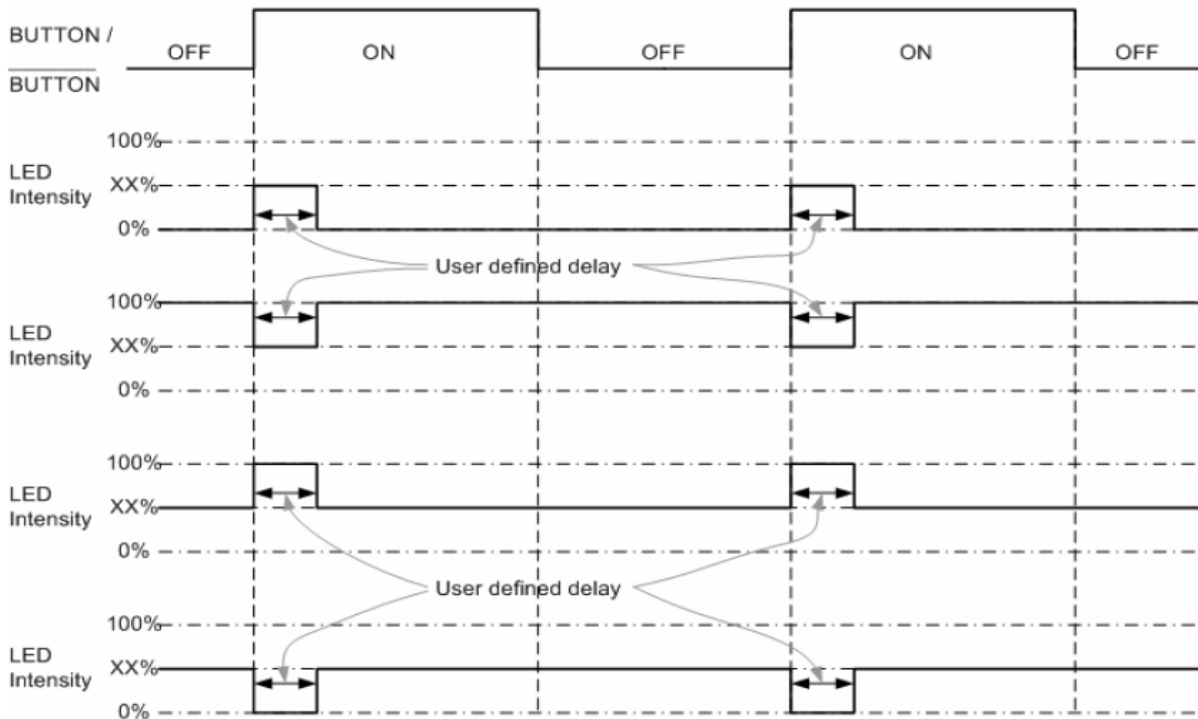
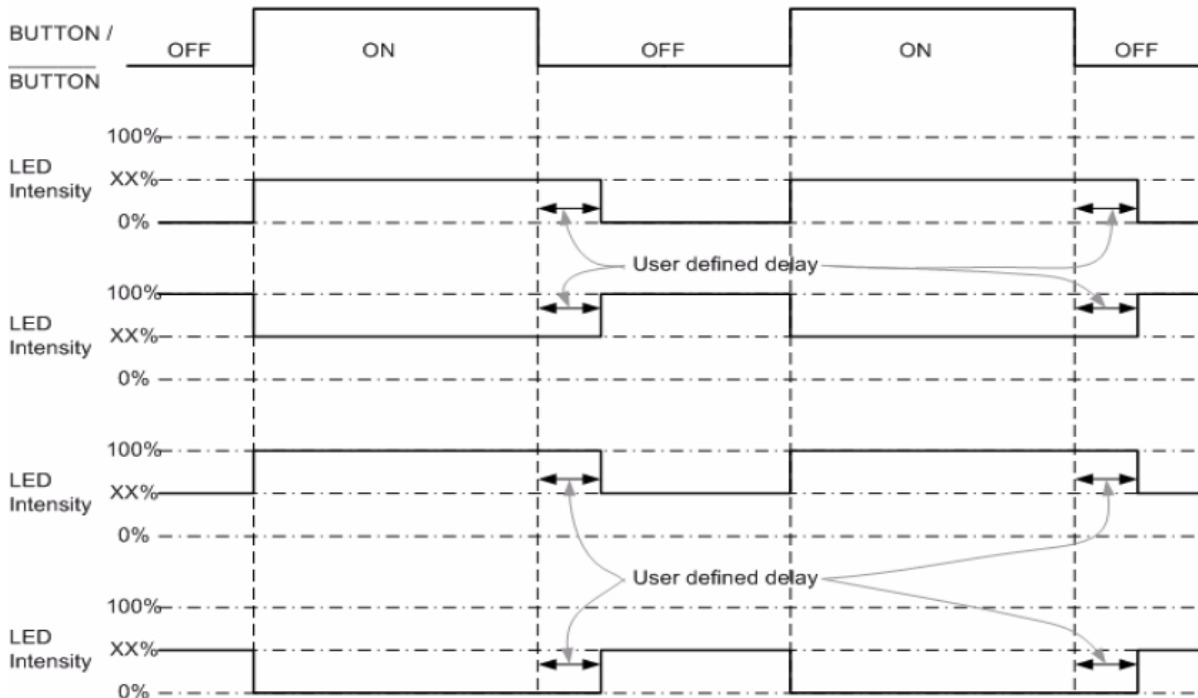
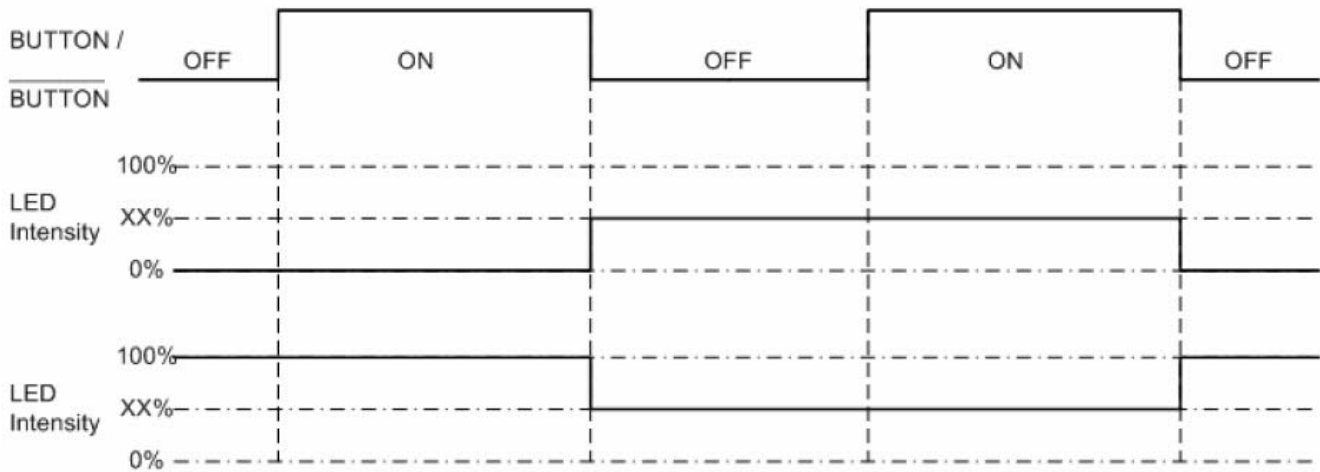


Figure 5. LED Dimming Mode 3: Hold Intensity After ON→OFF Button Transition



**Figure 6. LED Dimming Mode 4: Toggle Intensity on ON→OFF or OFF→ON Button Transitions**



## Modes of Operation

CapSense Express devices are configured to operate in any of the following three modes to meet different power consumption requirements:

- Active Mode
- Sleep Mode
- Deep Sleep Mode

### Active Mode

In the active mode, all the device blocks including the CapSense sub system are powered. Typical active current consumption of the device across the operating voltage range is 1.5 mA

### Sleep Mode

Sleep mode provides an intermediate power operation mode. It is enabled by configuring the corresponding device register. When enabled, the device enters sleep mode and wakes up after a specified sleep interval. It scans the capacitive sensors before going back to sleep again. The device can also wake up from sleep mode with a GPIO interrupt. The following sleep intervals are supported in CapSense Express. The sleep interval is configured through registers.

- 1.95 ms (512 Hz)
- 15.6 ms (64 Hz)
- 125 ms (8 Hz)
- 1s (1 Hz)

### Deep Sleep Mode

Deep sleep mode provides the lowest power consumption because there is no operation running. In this mode, the device is woken up only using an external GPIO interrupt. A sleep timer interrupt cannot wake up a device from deep sleep mode. This is treated as a continuous sleep mode without periodic wakeups. Refer to the Application Note “[CapSense Express Power and Sleep Considerations - AN44209](#)” for details on different sleep modes.

### Bi-Directional Sleep Control Pin

The CY8C20110 requires a dedicated sleep control pin to allow reliable I2C communication in case any sleep mode is enabled. This is achieved by pulling the sleep control pin LOW to wake up the device and start I2C communication. The sleep control pin is configured on any of the GPIO. If sleep control feature is enabled, the device have one less GPIO available for CapSense/GPIO functions. The sleep control pin can also be configured as interrupt output pin from CY8C20110 to the host to acknowledge finger press on any button.



## Electrical Specifications

### Absolute Maximum Ratings

Parameter	Description	Min	Typ	Max	Unit	Notes
T <sub>STG</sub>	Storage temperature	-55	25	+100	°C	Higher storage temperatures reduce data retention time. Recommended storage temperature is +25°C ± 25°C (0°C to 50°C). Extended duration storage temperatures above 65°C degrades reliability.
T <sub>A</sub>	Ambient temperature with power applied	-40	-	+85	°C	
V <sub>DD</sub>	Supply voltage on V <sub>DD</sub> relative to V <sub>SS</sub>	-0.5	-	+6.0	V	
V <sub>IO</sub>	DC input voltage	V <sub>SS</sub> - 0.5	-	V <sub>DD</sub> + 0.5	V	
V <sub>IOZ</sub>	DC voltage applied to tri-state	V <sub>SS</sub> - 0.5	-	V <sub>DD</sub> + 0.5	V	
I <sub>MIO</sub>	Maximum current into any GPIO pin	-25	-	+50	mA	
ESD	Electrostatic discharge voltage	2000	-	-	V	Human body model ESD
LU	Latch up current	-	-	200	mA	

### Operating Temperature

Parameter	Description	Min	Typ	Max	Unit	Notes
T <sub>A</sub>	Ambient temperature	-40	-	+85	°C	
T <sub>J</sub>	Junction temperature	-40	-	+100	°C	

## DC Electrical Characteristics

### DC Chip Level Specifications

Parameter	Description	Min	Typ	Max	Unit	Notes
V <sub>DD</sub>	Supply voltage	2.40	-	5.25	V	
I <sub>DD</sub>	Supply current	-	1.5	2.5	mA	Conditions are V <sub>DD</sub> = 3.0V, T <sub>A</sub> = 25°C
I <sub>SB</sub>	Deep Sleep mode current with POR and LVD active.	-	2.6	4	µA	V <sub>DD</sub> = 2.55V, 0°C ≤ T <sub>A</sub> ≤ 40°C
I <sub>SB</sub>	Deep Sleep mode current with POR and LVD active.	-	2.8	5	µA	V <sub>DD</sub> = 3.3V, -40°C ≤ T <sub>A</sub> ≤ 85°C
I <sub>SB</sub>	Deep Sleep mode current with POR and LVD active.	-	5.2	6.4	µA	V <sub>DD</sub> = 5.25V, -40°C ≤ T <sub>A</sub> ≤ 85°C

**5V and 3.3V DC General Purpose IO Specifications**

This table lists guaranteed maximum and minimum specifications for the voltage and temperature ranges: 4.75V to 5.25V and  $-40^{\circ}\text{C} \leq T_A \leq 85^{\circ}\text{C}$ , 3.0V to 3.6V and  $-40^{\circ}\text{C} \leq T_A \leq 85^{\circ}\text{C}$  respectively. Typical parameters apply to 5V and 3.3V at 25°C. These are for design guidance only.

Parameter	Description	Min	Typ	Max	Unit	Notes
R <sub>PU</sub>	Pull up resistor	4	5.6	8	kΩ	
V <sub>OH1</sub>	High output voltage Port 0 pins	V <sub>DD</sub> - 0.2	–	–	V	I <sub>OH</sub> ≤ 10 μA, V <sub>DD</sub> ≥ 3.0V, maximum of 20 mA source current in all IOs.
V <sub>OH2</sub>	High output voltage Port 0 pins	V <sub>DD</sub> - 0.9	–	–	V	I <sub>OH</sub> = 1 mA, V <sub>DD</sub> ≥ 3.0V, maximum of 20 mA source current in all IOs.
V <sub>OH3</sub>	High output voltage Port 1 pins	V <sub>DD</sub> - 0.2	–	–	V	I <sub>OH</sub> < 10 μA, V <sub>DD</sub> ≥ 3.0V, maximum of 10 mA source current in all IOs.
V <sub>OH4</sub>	High output voltage Port 1 pins	V <sub>DD</sub> - 0.9	–	–	V	I <sub>OH</sub> = 5 mA, V <sub>DD</sub> ≥ 3.0V, maximum of 20 mA source current in all IOs.
V <sub>OH5</sub>	High output voltage Port 1 pins with 3.0V LDO regulator enabled	2.75	3.0	3.2	V	I <sub>OH</sub> < 10 μA, V <sub>DD</sub> ≥ 3.1V, maximum of 4 IOs all sourcing 5mA.
V <sub>OH6</sub>	High Output Voltage Port 1 pins with 3.0V LDO regulator	2.2	–	–	V	I <sub>OH</sub> = 5 mA, V <sub>DD</sub> ≥ 3.1V, maximum of 20 mA source current in all IOs.
V <sub>OH7</sub>	High Output Voltage Port 1 pins with 2.4V LDO regulator	2.1	2.4	2.5	V	I <sub>OH</sub> < 10 μA, V <sub>DD</sub> ≥ 3.0V, maximum of 20 mA source current in all IOs.
V <sub>OH8</sub>	High Output Voltage Port 1 pins with 2.4V LDO regulator enabled	2	–	–	V	I <sub>OH</sub> < 200 μA, V <sub>DD</sub> ≥ 3.0V, maximum of 20 mA source current in all IOs.
V <sub>OL</sub>	Low output voltage	–	–	0.75	V	I <sub>OL</sub> = 20 mA, V <sub>DD</sub> > 3V, maximum of 60 mA sink current on even port pins and 60 mA sink current on odd port pins
V <sub>IL</sub>	Input low voltage	–	–	0.75	V	V <sub>DD</sub> = 3 to 3.6V
V <sub>IH</sub>	Input high voltage	1.6	–	–	V	V <sub>DD</sub> = 3 to 3.6V
V <sub>IL</sub>	Input low voltage	–	–	0.8	V	V <sub>DD</sub> = 4.75V to 5.25V
V <sub>IH</sub>	Input high voltage	2.0	–	–	V	V <sub>DD</sub> = 4.75V to 5.25V
V <sub>H</sub>	Input hysteresis voltage	–	140	–	mV	
I <sub>IL</sub>	Input leakage	–	1	–	nA	Gross tested to 1 μA.
C <sub>IN</sub>	Capacitive load on pins as input	0.5	1.7	5	pF	Package and pin dependent. Temp = 25°C
C <sub>OUT</sub>	Capacitive load on pins as output	0.5	1.7	5	pF	Package and pin dependent. Temp = 25°C

## 2.7V DC General Purpose IO Specifications

This table lists guaranteed maximum and minimum specifications for the voltage and temperature ranges: 2.4V to 3.0V and  $-40^{\circ}\text{C} \leq T_A \leq 85^{\circ}\text{C}$ , respectively. Typical parameters apply to 2.7V at 25°C. These are for design guidance only.

Parameter	Description	Min	Typ	Max	Unit	Notes
R <sub>PU</sub>	Pull up resistor	4	5.6	8	kΩ	
V <sub>OH1</sub>	High output voltage Port 0 Pins	V <sub>DD</sub> - 0.2	-	-	V	I <sub>OH</sub> < 10 μA, maximum of 10 mA source current in all IOs.
V <sub>OH2</sub>	High output voltage Port 0 Pins	V <sub>DD</sub> - 0.5	-	-	V	I <sub>OH</sub> = 0.2 mA, maximum of 10 mA source current in all IOs.
V <sub>OH3</sub>	High output voltage Port 1 Pins	V <sub>DD</sub> - 0.2	-	-	V	I <sub>OH</sub> < 10 μA, maximum of 10 mA source current in all IOs.
V <sub>OH4</sub>	High output voltage Port 1 Pins	V <sub>DD</sub> - 0.5	-	-	V	I <sub>OH</sub> = 2 mA, maximum of 10 mA source current in all IOs.
V <sub>OL</sub>	Low output voltage	-	-	0.75	V	I <sub>OL</sub> = 10 mA, maximum of 30 mA sink current on even port pins and 30 mA sink current on odd port pins
V <sub>OLP1</sub>	Low Output Voltage Port 1 Pins	-	-	0.4	V	I <sub>OL</sub> =5mA Maximum of 50mA sink current on even port pins and 50mA sink current on odd port pins 2.4 ≤ V <sub>DD</sub> ≤ 3.6V
V <sub>IL</sub>	Input low voltage	-	-	0.75	V	V <sub>DD</sub> = 2.4 to 3.6V.
V <sub>IH1</sub>	Input high voltage	1.4	-	-	V	V <sub>DD</sub> = 2.4 to 2.7V.
V <sub>IH2</sub>	Input high voltage	1.6	-	-	V	V <sub>DD</sub> = 2.7 to 3.6V
V <sub>H</sub>	Input hysteresis voltage	-	60	-	mV	
I <sub>IL</sub>	Input leakage	-	1	-	nA	Gross tested to 1 μA.
C <sub>IN</sub>	Capacitive load on pins as input	0.5	1.7	5	pF	Package and pin dependent. Temp = 25°C.
C <sub>OUT</sub>	Capacitive load on pins as output	0.5	1.7	5	pF	Package and pin dependent. Temp = 25°C.

## 2.7V DC Spec for I2C Line with 1.8V External Pull Up

This table lists guaranteed maximum and minimum specifications for the voltage and temperature ranges: 2.4V to 3.0V and  $-40^{\circ}\text{C} \leq T_A \leq 85^{\circ}\text{C}$ , respectively. Typical parameters apply to 2.7V at 25°C. The I2C lines drive mode must be set to open drain and pulled up to 1.8V externally.

Parameter	Description	Min	Typ	Max	Unit	Notes
V <sub>OLP1</sub>	Low Output Voltage Port 1 Pins	-	-	0.4	V	I <sub>OL</sub> =5mA Maximum of 50mA sink current on even port pins and 50mA sink current on odd port pins 2.4 ≤ V <sub>DD</sub> ≤ 3.6V
V <sub>IL</sub>	Input low voltage	-	-	0.75	V	V <sub>DD</sub> = 2.4 to 3.6V.
V <sub>IH</sub>	Input high voltage	1.4	-	-	V	V <sub>DD</sub> = 2.4 to 2.7V.
C <sub>IN</sub>	Capacitive load on pins as input	0.5	1.7	5	pF	Package and pin dependent. Temp = 25°C.
C <sub>OUT</sub>	Capacitive load on pins as output	0.5	1.7	5	pF	Package and pin dependent. Temp = 25°C.

**DC POR and LVD Specifications**

Parameter	Description	Min	Typ	Max	Unit	Notes
V <sub>PPOR0</sub> V <sub>PPOR1</sub>	V <sub>DD</sub> Value/ PPOR Trip for V <sub>DD</sub> = 2.7V V <sub>DD</sub> = 3.3V, 5V	– –	2.36 2.60	2.40 2.65	V V	V <sub>DD</sub> must be greater than or equal to 2.5V during startup, reset from the XRES pin, or reset from Watchdog.
VLVD0 VLVD2 VLVD6	V <sub>DD</sub> Value for LVD trip V <sub>DD</sub> = 2.7V V <sub>DD</sub> = 3.3V V <sub>DD</sub> = 5V	2.39 2.75 3.98	2.45 2.92 4.05	2.51 2.99 4.12	V V V	

**DC Programming Specifications**

This table lists guaranteed maximum and minimum specifications for the voltage and temperature ranges: 4.75V to 5.25V and -40°C ≤ TA ≤ 85°C, 3.0V to 3.6V and -40°C ≤ TA ≤ 85°C, or 2.4V to 3.0V and -40°C ≤ TA ≤ 85°C, respectively. Typical parameters apply to 5V, 3.3V, or 2.7V at 25°C. These are for design guidance only. Flash Endurance and Retention specifications with the use of EEPROM user module are valid only within the range: 25°C ± 20°C during the Flash Write operation.

Refer to the EEPROM user module data sheet instructions for EEPROM Flash Write requirements outside the 25°C ± 20°C temperature window. Use of this User Module for Flash Writes outside this range must occur at a known die temperature (±20°C) and requires the designer to configure the temperature as a variable rather than the default 25°C value hard coded into the API. All use of this UM API outside the range of 25°C ± 20°C is at the user's own risk. This risk includes overwriting the Flash cell (when above the allowable temperature range) thereby reducing the data sheet specified endurance performance or underwriting the Flash cell (when below the allowable temperature range) thereby reducing the data sheet specified retention.

Symbol	Description	Min	Typ	Max	Units	Notes
V <sub>dd</sub> <sub>WRITE</sub>	Supply Voltage for Flash Write Operations <sup>[2]</sup>	2.7	–	–	V	
I <sub>DDP</sub>	Supply Current During Programming or Verify	–	5	25	mA	
V <sub>ILP</sub>	Input Low Voltage During Programming or Verify	–	–	0.8	V	
V <sub>IHP</sub>	Input High Voltage During Programming or Verify	2.2	–	–	V	
I <sub>ILP</sub>	Input Current when Applying V <sub>ilp</sub> to P1[0] or P1[1] During Programming or Verify	–	–	0.2	mA	Driving internal pull down resistor.
I <sub>IHP</sub>	Input Current when Applying V <sub>ihp</sub> to P1[0] or P1[1] During Programming or Verify	–	–	1.5	mA	Driving internal pull down resistor.
V <sub>OLV</sub>	Output Low Voltage During Programming or Verify	–	–	V <sub>ss</sub> + 0.75	V	
V <sub>OHV</sub>	Output High Voltage During Programming or Verify	V <sub>dd</sub> – 1.0	–	V <sub>dd</sub>	V	
Flash <sub>ENPB</sub>	Flash Endurance (per block)	50,000	–	–	–	Erase/write cycles per block.
Flash <sub>ENT</sub>	Flash Endurance (total)	1,800,000	–	–	–	Erase/write cycles.
Flash <sub>DR</sub>	Flash Data Retention	10	–	–	Years	

**Note**

- Commands involving Flash Writes (0x01, 0x02, 0x03) must be executed only within the same VCC voltage range detected at POR (power on, XRES, or command 0x06) and above 2.7V. For register details, refer to CY8C201xx Register Reference Guide. If the user powers up the device in the 2.4V–3.6V range, Flash writes must be performed only between 2.7V and 3.6V. If the user powers up the device in the 4.75V–5.25V range, Flash writes must be performed in that range only.

### Capsense Electrical Characteristics

Max (V)	Typical (V)	Min (V)	Low Voltage Cutoff (V)	Notes
5.25	5.0	4.75	4.73	See notes [5] and [6]
3.6	3.3	3.02	–	See note [2]
3.02	2.7	2.45	2.45	See notes [3] and [4]

### AC Electrical Characteristics

#### 5V and 3.3V AC General Purpose IO Specifications

Parameter	Description	Min	Max	Unit	Notes
TRise0	Rise time, strong mode, Cload = 50pF, Port 0	15	80	ns	V <sub>DD</sub> = 3.0V to 3.6V and 4.75V to 5.25V, 10% - 90%
TRise1	Rise time, strong mode, Cload = 50pF, Port 1	10	50	ns	V <sub>DD</sub> = 3.0V to 3.6V, 10% - 90%
TFall	Fall time, strong mode, Cload = 50pF, all ports	10	50	ns	V <sub>DD</sub> = 3.0V to 3.6V and 4.75V to 5.25V, 10% - 90%

#### 2.7V AC General Purpose IO Specifications

Parameter	Description	Min	Max	Unit	Notes
TRise0	Rise time, strong mode, Cload = 50pF, Port 0	15	100	ns	V <sub>DD</sub> = 2.4V to 3.0V, 10% - 90%
TRise1	Rise time, strong mode, Cload = 50pF, Port 1	10	70	ns	V <sub>DD</sub> = 2.4V to 3.0V, 10% - 90%
TFall	Fall time, strong mode, Cload = 50pF, all ports	10	70	ns	V <sub>DD</sub> = 2.4V to 3.0V, 10% - 90%

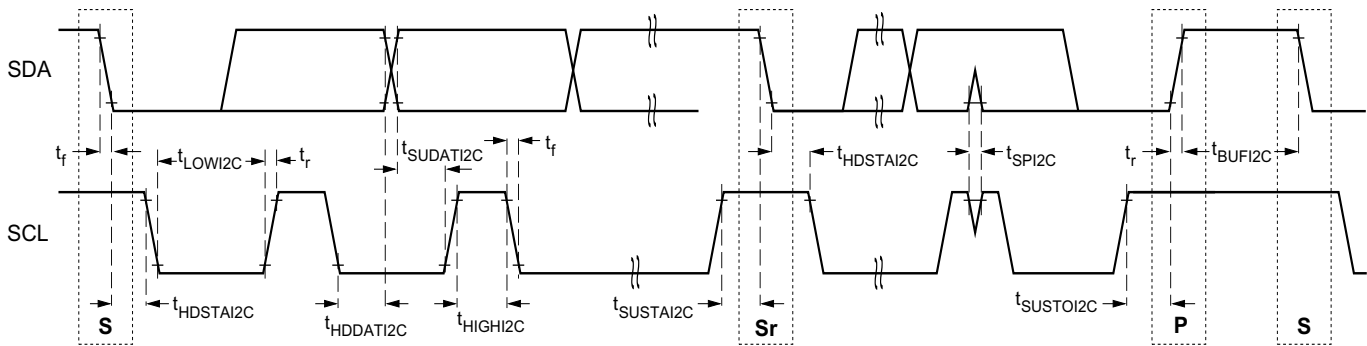
**Notes**

- If the device is in 3.3V mode of operation and the operating voltage drops below 3.02V, the device automatically reconfigures itself to work in 2.7V mode of operation.
- If the device is in 2.7V mode of operation and the operating voltage drops below 2.45V, the scanning for Capsense parameters shuts down until the voltage returns to over 2.45V. If the voltage continues to drop and goes below 2.4V, device goes into reset.
- If the device is in 2.7V mode of operation and the operating voltage rises above 3.02V, the device automatically reconfigures itself to work in 3.3V mode of operation.
- If the device is in 5.0V mode of operation and the operating voltage drops below 4.73V, the scanning for Capsense parameters shuts down until the voltage returns to over 4.73V.
- Powering up in the 3.6V to 4.75V range is not supported by Capsense Express. The device initializes to the 5.0V parameters but does not enable Capsense scanning until the voltage goes above 4.73V.

AC I2C Specifications

Parameter	Description	Standard Mode		Fast Mode		Unit	Notes
		Min	Max	Min	Max		
F <sub>SCL I2C</sub>	SCL clock frequency	0	100	0	400	KHz	Fast mode not supported for V <sub>DD</sub> < 3.0V
T <sub>HDSTA I2C</sub>	Hold time (repeated) START condition. After this period, the first clock pulse is generated.	4.0	–	0.6	–	µs	
T <sub>LOW I2C</sub>	LOW period of the SCL clock	4.7	–	1.3	–	µs	
T <sub>HIGH I2C</sub>	HIGH period of the SCL clock	4.0	–	0.6	–	µs	
T <sub>SUSTA I2C</sub>	Setup time for a repeated START condition	4.7	–	0.6	–	µs	
T <sub>HDDAT I2C</sub>	Data hold time	0	–	0	–	µs	
T <sub>SUDAT I2C</sub>	Data setup time	250	–	100	–	ns	
T <sub>SUSTOI2C</sub>	Setup time for STOP condition	4.0	–	0.6	–	µs	
T <sub>BUFI2C</sub>	BUS free time between a STOP and START condition	4.7	–	1.3	–	µs	
T <sub>SPI2C</sub>	Pulse width of spikes suppressed by the input filter	–	–	0	50	ns	

Figure 7. Definition for Timing for Fast/Standard Mode on the I2C Bus



**Ordering Information**

Ordering Code	Package Diagram	Package Type	Operating Temperature
CY8C20110-LDX2I	001-09116	16 COL <sup>[9]</sup>	Industrial
CY8C20110-SX2I	51-85068	16 SOIC	Industrial

**Thermal Impedances by Package**

Package	Typical $\theta_{JA}$ <sup>[7]</sup>
16 COL <sup>[9]</sup>	46 °C
16 SOIC	79.96 °C

**Solder Reflow Peak Temperature**

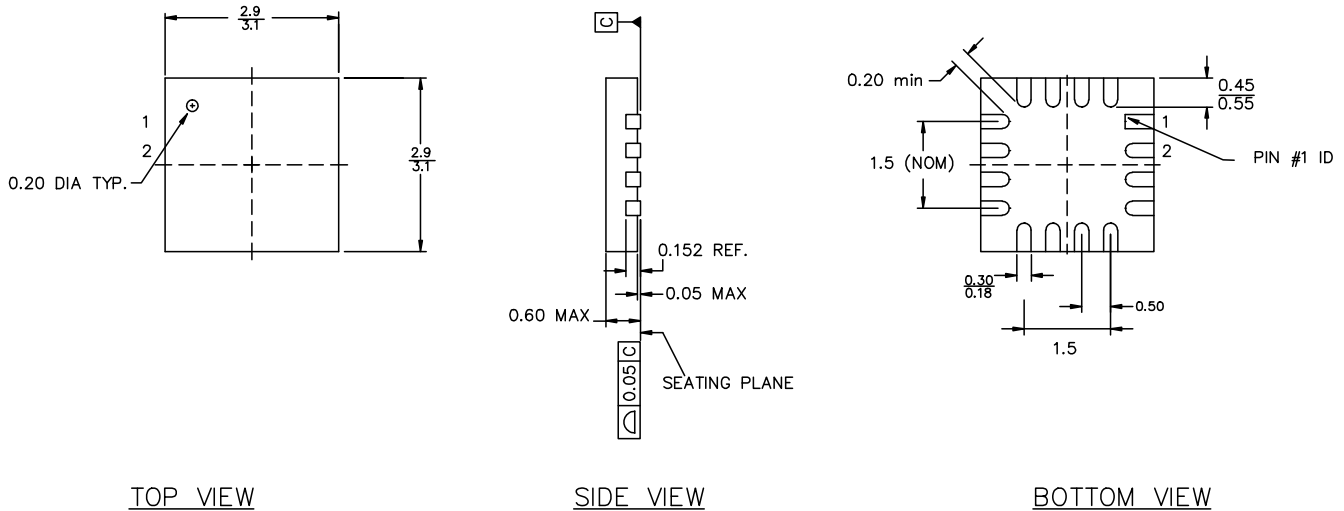
Package	Minimum Peak Temperature <sup>[8]</sup>	Maximum Peak Temperature
16 COL <sup>[9]</sup>	240 °C	260 °C
16 SOIC	240 °C	260 °C

**Notes**

- 7.  $T_J = T_A + \text{Power} \times \theta_{JA}$ .
- 8. Higher temperatures may be required based on the solder melting point. Typical temperatures for solder are 220 ± 5°C with Sn-Pb or 245 ± 5°C with Sn-Ag-Cu paste. Refer to the solder manufacturer specifications.
- 9. Earlier termed as QFN package.

Package Diagram

Figure 8. 16L Chip On Lead 3 X 3 mm Package Outline (SAWN) - 001-09116 – (Pb-Free)



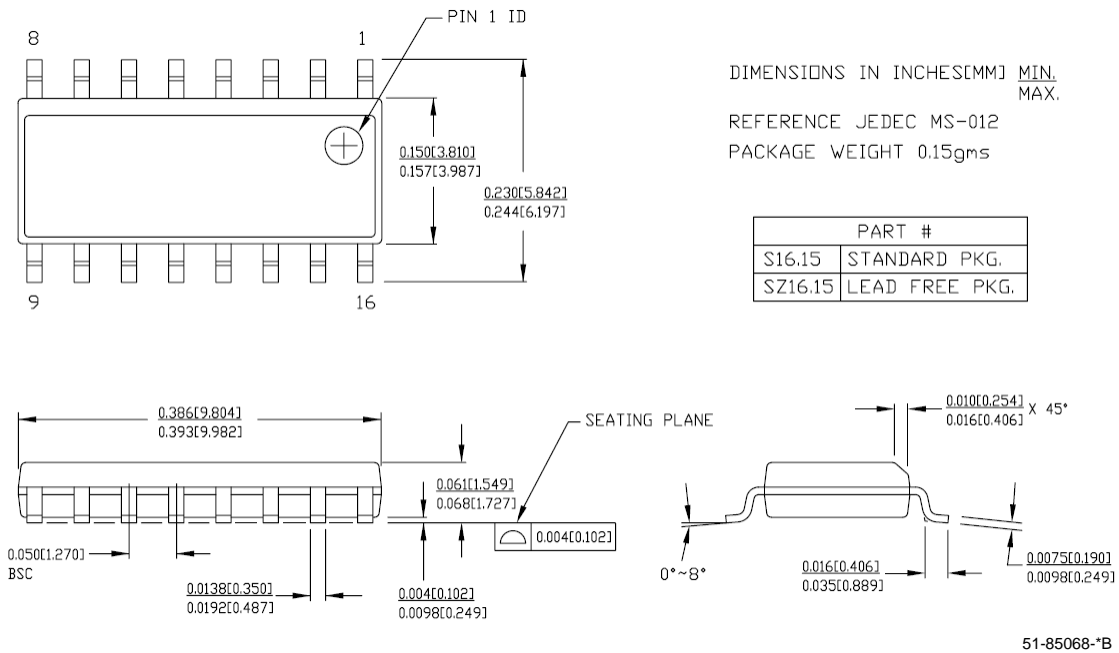
NOTES:

1. JEDEC # MD-220
2. Package Weight: 0.014g
3. DIMENSIONS IN MM, MIN / MAX

001-09116 \*D

PART NO.	DESCRIPTION
LG16A	LEAD-FREE
LD16A	STANDARD

Figure 9. 16-Pin (150-Mil) SOIC (51-85068)





Document History Page

Document Title: CY8C20110 CapSense Express™-10 Configurable GPIOs with PWM Control				
Document Number: 001-17345				
REV.	ECN.	Orig. of Change	Submission Date	Description of Change
**	1341766	TUP/SFV		New Data Sheet
*A	1494145	TUP/AESA		Changed to FINAL Datasheet Removed table - 2.7V DC General Purpose IO Specifications - Open Drain with a pull up to 1.8V Updated Logic Block Diagram
*B	1773608	TUP/AESA		Removed table - 3V DC General Purpose IO Specifications Updated Logic Block Diagram Updated table - DC POR and LVD Specifications Updated table - DC Chip Level Specifications Updated table - 5V and 3.3V DC General Purpose IO Specifications Updated table - 2.7V DC General Purpose IO Specifications Updated table - AC GPIO Specifications and split it into two tables for 5V/3.3V and 2.7V Added section on CapSense Express™ Software tool Updated 16-QFN Package Diagram
*C	2091026	DZU/MOHD /AESA		Updated table-DC Chip Level Specifications Updated table-Pin Definitions 16 pin COL Updated table-Pin Definitions 16 pin SOIC Updated table-5V and 3.3V DC General Purpose IO Specifications Updated table - 2.7V DC General Purpose IO Specifications Changed definition for Timing for Fast/Standard Mode on the I2C Bus diagram
*D	2404731	DZU/MOHD /PYRS		Updated Logic Block Diagram Added DC Programming Specifications Table Updated Features Added CapSense Electrical Characteristics Table
*E	2549237	ZSK/AESA	09/06/2008	Changed Data Sheet title from "CY8C20110 Capsense Express (TM)-10 Configurable IOS" to CY8C20110 CapSense Express™-10 Configurable GPIOs with PWM Control Logic block diagram modified by adding PWM control block LED Dimming section added Different sleep modes explained Bi-Directional Sleep Control Pin defined DC Chip Level Specifications table updated with Deep Sleep mode parameters Table added on "2.7V DC Spec for I2C Line with 1.8V External Pull-Up" Updated package diagram 001-09116

## Sales, Solutions, and Legal Information

### Worldwide Sales and Design Support

Cypress maintains a worldwide network of offices, solution centers, manufacturer's representatives, and distributors. To find the office closest to you, visit us at [cypress.com/sales](http://cypress.com/sales).

#### Products

PSoC	<a href="http://psoc.cypress.com">psoc.cypress.com</a>
Clocks & Buffers	<a href="http://clocks.cypress.com">clocks.cypress.com</a>
Wireless	<a href="http://wireless.cypress.com">wireless.cypress.com</a>
Memories	<a href="http://memory.cypress.com">memory.cypress.com</a>
Image Sensors	<a href="http://image.cypress.com">image.cypress.com</a>

#### PSoC Solutions

General	<a href="http://psoc.cypress.com/solutions">psoc.cypress.com/solutions</a>
Low Power/Low Voltage	<a href="http://psoc.cypress.com/low-power">psoc.cypress.com/low-power</a>
Precision Analog	<a href="http://psoc.cypress.com/precision-analog">psoc.cypress.com/precision-analog</a>
LCD Drive	<a href="http://psoc.cypress.com/lcd-drive">psoc.cypress.com/lcd-drive</a>
CAN 2.0b	<a href="http://psoc.cypress.com/can">psoc.cypress.com/can</a>
USB	<a href="http://psoc.cypress.com/usb">psoc.cypress.com/usb</a>

---

© Cypress Semiconductor Corporation, 2007-2008. The information contained herein is subject to change without notice. Cypress Semiconductor Corporation assumes no responsibility for the use of any circuitry other than circuitry embodied in a Cypress product. Nor does it convey or imply any license under patent or other rights. Cypress products are not warranted nor intended to be used for medical, life support, life saving, critical control or safety applications, unless pursuant to an express written agreement with Cypress. Furthermore, Cypress does not authorize its products for use as critical components in life-support systems where a malfunction or failure may reasonably be expected to result in significant injury to the user. The inclusion of Cypress products in life-support systems application implies that the manufacturer assumes all risk of such use and in doing so indemnifies Cypress against all charges.

Any Source Code (software and/or firmware) is owned by Cypress Semiconductor Corporation (Cypress) and is protected by and subject to worldwide patent protection (United States and foreign), United States copyright laws and international treaty provisions. Cypress hereby grants to licensee a personal, non-exclusive, non-transferable license to copy, use, modify, create derivative works of, and compile the Cypress Source Code and derivative works for the sole purpose of creating custom software and or firmware in support of licensee product to be used only in conjunction with a Cypress integrated circuit as specified in the applicable agreement. Any reproduction, modification, translation, compilation, or representation of this Source Code except as specified above is prohibited without the express written permission of Cypress.

Disclaimer: CYPRESS MAKES NO WARRANTY OF ANY KIND, EXPRESS OR IMPLIED, WITH REGARD TO THIS MATERIAL, INCLUDING, BUT NOT LIMITED TO, THE IMPLIED WARRANTIES OF MERCHANTABILITY AND FITNESS FOR A PARTICULAR PURPOSE. Cypress reserves the right to make changes without further notice to the materials described herein. Cypress does not assume any liability arising out of the application or use of any product or circuit described herein. Cypress does not authorize its products for use as critical components in life-support systems where a malfunction or failure may reasonably be expected to result in significant injury to the user. The inclusion of Cypress' product in a life-support systems application implies that the manufacturer assumes all risk of such use and in doing so indemnifies Cypress against all charges.

Use may be limited by and subject to the applicable Cypress software license agreement.