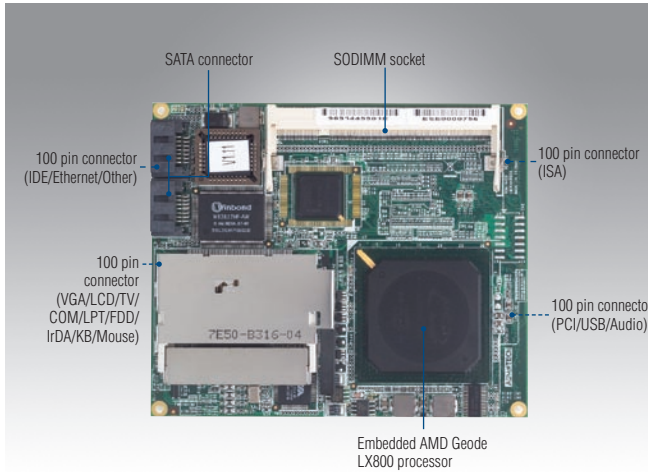


SOM-4455

AMD Geode™ LX800 ETX CPU Module



Features

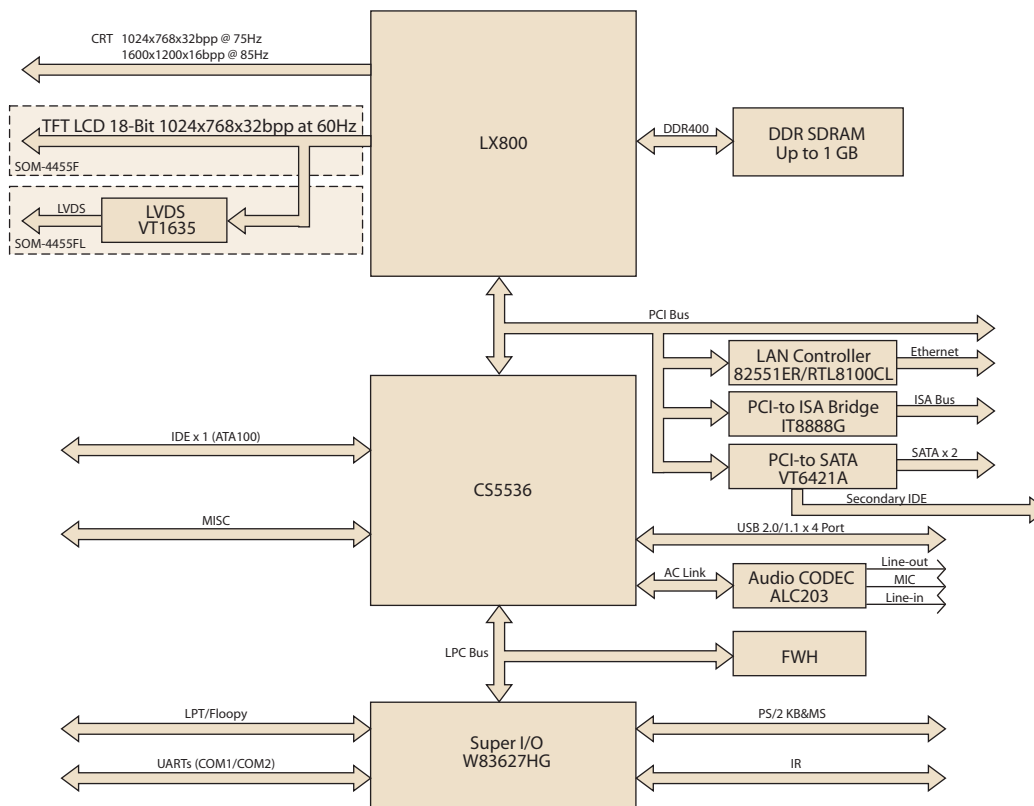
- Embedded AMD Geode™ LX800 CPU
- AMD CS5536 Chipset
- Supports one DDR SODIMM up to 1 GB
- AMD CS5536 Integrated 2D engine
- Display type: 24-bit LVDS or 18-bit TTL
- Intel 10/100 Mbps LAN
- Expansion: 4 PCI master (3 PCI master for SATA version), ISA
- 4 x USB 2.0, 1 EIDE (2 EIDE for SATA version), 2 COMs, FDD/LPT port



Specifications

Form Factor		ETX 3.0
Processor System	CPU	AMD Geode LX800
	Front Side Bus	33 MHz
	System Chipset	AMD Geode LX800/CS5536
	BIOS	AWARD 4 Mbit Flash BIOS
Memory	Technology	DDR 200/266/333/400 MHz
	Max. Capacity	up to 1 GB
	Socket	1 x 200-pin SODIMM socket
Display	Chipset	AMD CS5536
	VRAM	Shared system memory up to 254 MB
	Graphics Engine	AMD CS5536 2D engine
	LCD	24-bit LVDS or 18-bit TTL
	VGA	up to 1024 x 768
	Dual Display	CRT + LCD (Simultaneous mode)
Ethernet	Chipset	Intel 82551ER 10/100 Mbps Ethernet
	Speed	10/100 Mbps
WatchDog Timer		256 timer intervals, from 1 to 255 sec or min setup by software, jumperless selection, generates system reset
Expansion		4 x PCI master (3 x PCI master for SATA version), ISA
I/O	PATA	1 x EIDE (UDMA 100) (2 x EIDE for SATA version)
	SATA	2 x SATA on ETX CPU module (For SATA version)
	USB	4 x USB 2.0
	Audio	Realtek ALC203 AC97 Codec support Line-in/out, MIC-in
	GPIO	1-bit GPIO, 2-bit GPE
	COM	2 COM ports
	FDD/LPT	1 x FDD or LPT
	SSD	1 x Type II CF slot
Power	Power Type	ATX, AT
	Power Supply Voltage	+5 V only (+5 VSB needs for ATX)
	Power Consumption (Typical)	Typical: (1 GB DDR 333) +5 V @ 1.80 A (AMD LX800)
	Power Consumption (Max, test in HCT)	Max: (1 GB DDR 333) +5 V @ 2.01 A (AMD LX800)
Environment	Operating Temperature	0 ~ 60° C (32 ~ 140° F)
	Operating Humidity	0% ~ 90% relative humidity, non-condensing
Mechanical	Dimensions	114 x 95 mm (4.5" x 3.74")

Board Diagram



Ordering Information

Part No.	CPU	L2 Cache	Chipset	LVDS	VGA	10/100 LAN	AC97 Audio	PCI	USB 2.0	SATA	ATX Power	AT Power	Thermal Solution	Operating Temp.
SOM-4455F-L0A2E	AMD LX800	128 KB	LX800	--	Yes	Yes	Yes	4	4	--	Yes	Yes	Passive	0 ~ 60° C
SOM-4455FL-L0A2E	AMD LX800	128 KB	LX800	24-bit	Yes	Yes	Yes	4	4	--	Yes	Yes	Passive	0 ~ 60° C
SOM-4455F-LSA2E	AMD LX800	128 KB	LX800	--	Yes	Yes	Yes	3	4	2	Yes	Yes	Passive	0 ~ 60° C
SOM-4455FL-LSA2E	AMD LX800	128 KB	LX800	24-bit	Yes	Yes	Yes	3	4	2	Yes	Yes	Passive	0 ~ 60° C

Development Board

Part No.	Description
SOM-DB4400-00A2E	Development Board for ETX Rev.A2
SOM-DB4700-00A1E	Development Board for ETX Rev.A1

Packing List

Par No.	Description	Quantity
	SOM-4455 CPU Module	1
	Utility CD	1
1960007057	Heatspreader	1

Optional Accessories

Part No.	Description
1960021993T00B	Heatsink