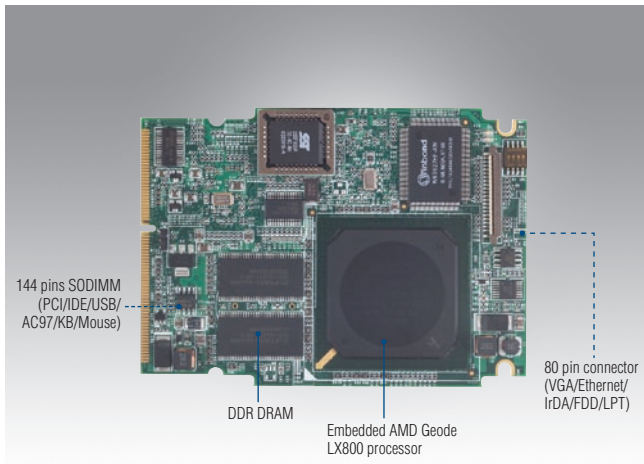


# SOM-2355

**AMD Geode™ LX800 CPU SOM-144  
Module with CPU, VGA/LCD, LAN**



## Features

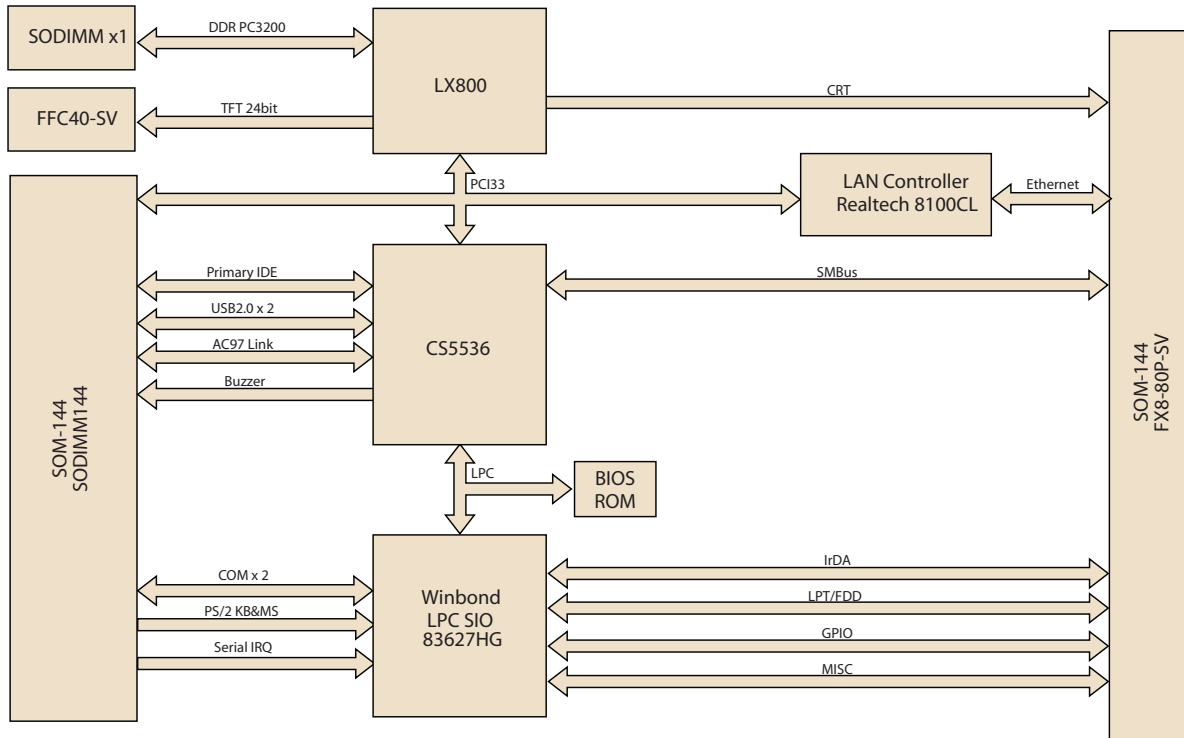
- Embedded AMD Geode™ LX800 CPU
- AMD LX800 Integrated Graphic Chip
- Supports 24-bit TTL Panel
- Supports 128 MB DDR Memory
- Supports 2 USB 2.0 / 2 COMs / LAN



## Specifications

Processor System	CPU	Embedded AMD Geode LX800-500 MHz processor
	System Memory	128 MB DDR DRAM on board
	Chipset	AMD CS 5536
	BIOS	AWARD™ 4 M bit Flash BIOS
	Expansion Interface	144-pin SODIMM socket provides PCI
I/O	MIO	1 x EIDE (Ultra DMA33), 1 x FDD/LPT, 1 x Keyboard, 1 x Mouse, 2 x RS-232
	IrDA	115 kbps, IrDA 1.0 compliant
	Audio	AC97 2.3 compliant
	USB	2 x USB ports, USB 2.0/1.1 compliant
Ethernet	Chipset	Realtek™ RTL8100CL 10/100Mbps Ethernet Chip
	Speed	10/100Base-T
Display	Chipset	AMD Geode LX800
	Memory Size	Share system memory up to 64 MB
	Resolution	CRT Display Mode: 1024 x 768 @ 24 bpp (60 Hz) LCD Interface: 24-bit TTL TFT LCD up to 1024 x 768
Power	Power Supply Voltage	+5 V ±5%
	Power Requirements	Max. : 5 V @ 1.4 A Typical : 5 V @ 1 A
Environmental	Operating Temperature	0 – 60° C (32 – 140° F), fanless operation
	Operating Humidity	0 – 90% relative humidity, noncondensing
Mechanical	Dimensions (L x W)	68 x 100 mm (2.6" x 3.9")

## Board Diagram



## Ordering Information

### SOM Module

Part No.	CPU	Memory
SOM-2355F-LEA1E	AMD Geode LX 800 @ 500 MHz	128 MB on Board

### Development Board

Part No.	Description
SOM-DB2300	Development Board for SOM-144