

10/100 LAN Interface Module for NIC/HUB Applications

EPF8051G & EPF8051G-RC



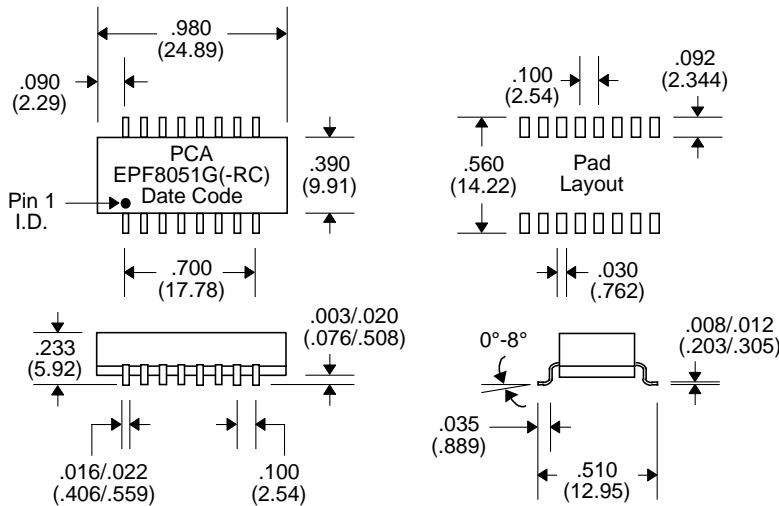
- Ideal for QSI6611/12 in applications requiring higher bandwidth
- Guaranteed to operate with 8 mA DC bias at 70°C on Cable Side
- Complies with or exceeds IEEE 802.3, 10/100Base-TX Standards
- Add "-RC" after part number for RoHS Compliant
- Storage Temperature : -40°C to +125°C
- Operating Temperature : 0°C to +70°C

Electrical Parameters @ 25° C

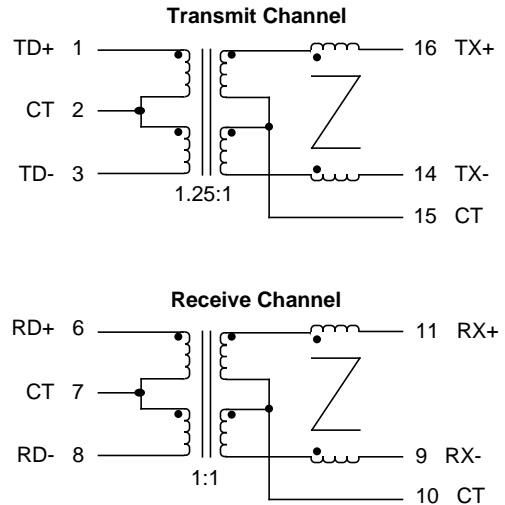
OCL @ 70°C	Insertion Loss (dB Max.)						Return Loss (dB Min.)						Common Mode Rejection (dB Min.)						Crosstalk (dB Min.) [Between Channels]	
	1-80 MHz		80-100 MHz		100-150 MHz		1-30 MHz		30-60 MHz		60-100 MHz		1-30 MHz		30-100 MHz		100-500 MHz		5-10 MHz	10-100 MHz
Cable Side	Xmit	Rcv	Xmit	Rcv	Xmit	Rcv	Xmit	Rcv	Xmit	Rcv	Xmit	Rcv	Xmit	Rcv	Xmit	Rcv	Xmit	Rcv		
350µH	-1	-1	-2	-2	-3.5	-3	-18	-18	-12	-12	-10	-10	-40	-40	-30	-30	-10	-10	-35	-35

• Isolation : 1500 Vrms • Cable Impedance : 100 • Rise Time : 3.0 nS Max. •

Package



Schematic



Notes :	EPF8051G	EPF8051G-RC
1. Lead Finish	SnPb	Hot Tin Dip (Sn) †
2. Peak Temperature Rating	225°C	245°C
3. Moisture Sensitive Levels	MSL = 3 (168 Hours, 30°C/60%RH)	MSL = 4 (72 Hours, 30°C/60%RH)
4. Weight	3.172 grams	3.172 grams
5. Packaging Information	(Tube)	TBD pieces/tube
	(Tape & Reel)	300 pieces/13" reel

† Lead Material : Ni Barrier over Cu

Unless Otherwise Specified Dimensions are in Inches /mm ± .010 / .25