

10/100Base-TX Interface Module for PC Card Applications EPF8015G



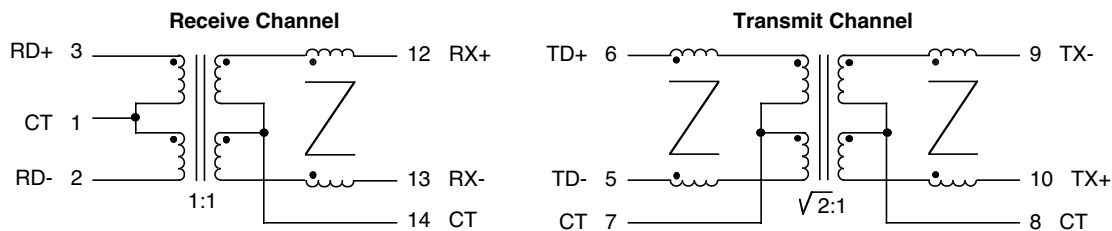
- Optimized for QSI6611/6612 PHY/MAC
- Guaranteed to operate with 8 mA DC Bias at 70°C on Cable Side
- Complies with or exceeds IEEE 802.3, 10/100Base-TX Standards

Electrical Parameters @ 25° C

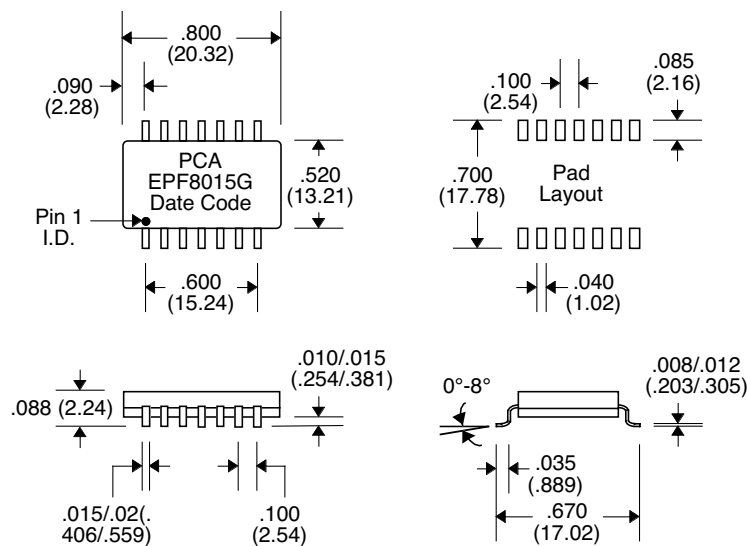
OCL (@ 70°C)	Insertion Loss (dB Max.)			Return Loss (dB Min.)			Common Mode Rejection (dB Min.)			Crosstalk (dB Min.) Between Channels
	1-80 MHz	100 MHz	150 MHz	1-30 MHz	60 MHz	100 MHz	30-100 MHz	200 MHz	500 MHz	
100 KHz, 0.1 Vrms 8 mA DC Bias										
Cable Side	Xmit/Rcv	Xmit/Rcv	Xmit/Rcv	Xmit/Rcv	Xmit/Rcv	Xmit/Rcv	Xmit/Rcv	Xmit/Rcv	Xmit/Rcv	
350 μ H	-1.5/-1	-2/-2	-4/-3	-18/-18	-12/-12	-8/-10	-38/-38	-30/-25	-20/-15	-40

• Isolation : 1500 Vrms • Impedance : 100 Ω • Rise Time : 3.0 nS Max. •

Schematic



Package



Unless Otherwise Specified Dimensions are in Inches /mm \pm .010 / .25