



CONNOR-WINFIELD CORPORATION

AURORA, IL. 60505

PHONE (630) 851-4722

FAX (630) 851-5040

14 PIN DIP CMOS/TTL TCXO

SPECIFICATIONS	ATV1	ATV2	ATV3	ATV4	
Frequency Range	2MHz to 50MHz				
Frequency vs Temperature (Vcc=5.00V , Vcontrol=2.50V)	±0.5ppm	±1.0ppm	±2.5ppm	±5.0ppm	
Temperature Range	+20°C to +40°C	0°C to +50°C	0°C to +70°C	-30°C to +70°C	
Calibration Tolerance @ 25°C	±2.5ppm (referenced to nominal frequency)				
Start Up Time	10mS Maximum				
Supply Voltage	+5Vdc ±5%				
Supply Current	35mA Maximum				
Output	Waveform	CMOS/TTL Squarewave			
	Load	50pF or 10 TTL Loads			
	Voltage	Voh	4.5V Maximum		
		Vol	0.4V Maximum		
	Current	Ioh	-16.0mA		
		Iol	16.0mA		
Duty Cycle	40/60 Maximum measured @ 2.5V				
Rise/Fall Time	6nS Maximum				
Frequency Control	Positive Transfer Characteristic				
Vcontrol (Pin 1)	0.5 to 4.5Vdc				
Avg Slope of Freq Adjust	4.0ppm/V Minimum				
Frequency Adjustment Range	±8ppm Minimum				
Linearity of Freq Adjust	±15% Maximum				
Calibration @ Vcontrol=2.50V (Vcc = 5.00V, 25°C)	±2.5ppm				
Input Impedance to Pin 1	10K Ohms Minimum				
Aging	≤1.0ppm/yr at 30°C				
Package	All metal, hermetically sealed, welded package.				

NOTE: An external frequency adjust voltage must be applied to pin 1 to set calibration. A variable resistance potentiometer can be use to achieve precise calibration.
(See reverse side for circuit drawing)

Specifications subject to change without notice

BULLETIN #: TX021
PAGE 1 OF 2

REV: 01
DATE: 3/18/96

ISSUED BY: _____

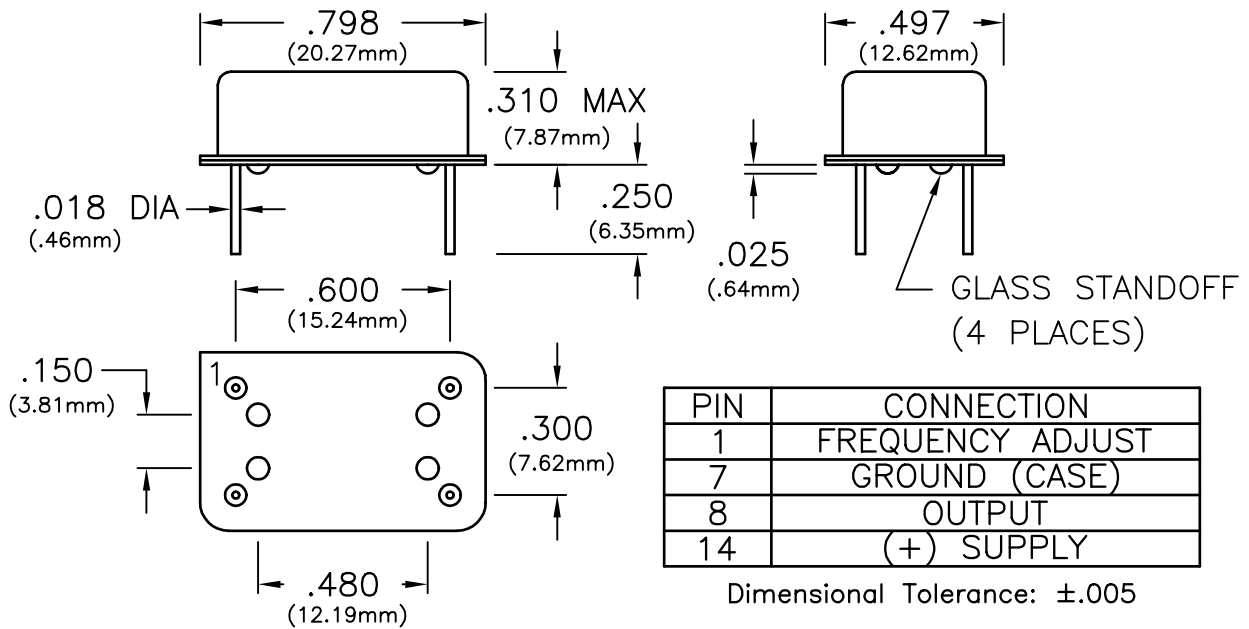


CONNOR-WINFIELD CORPORATION

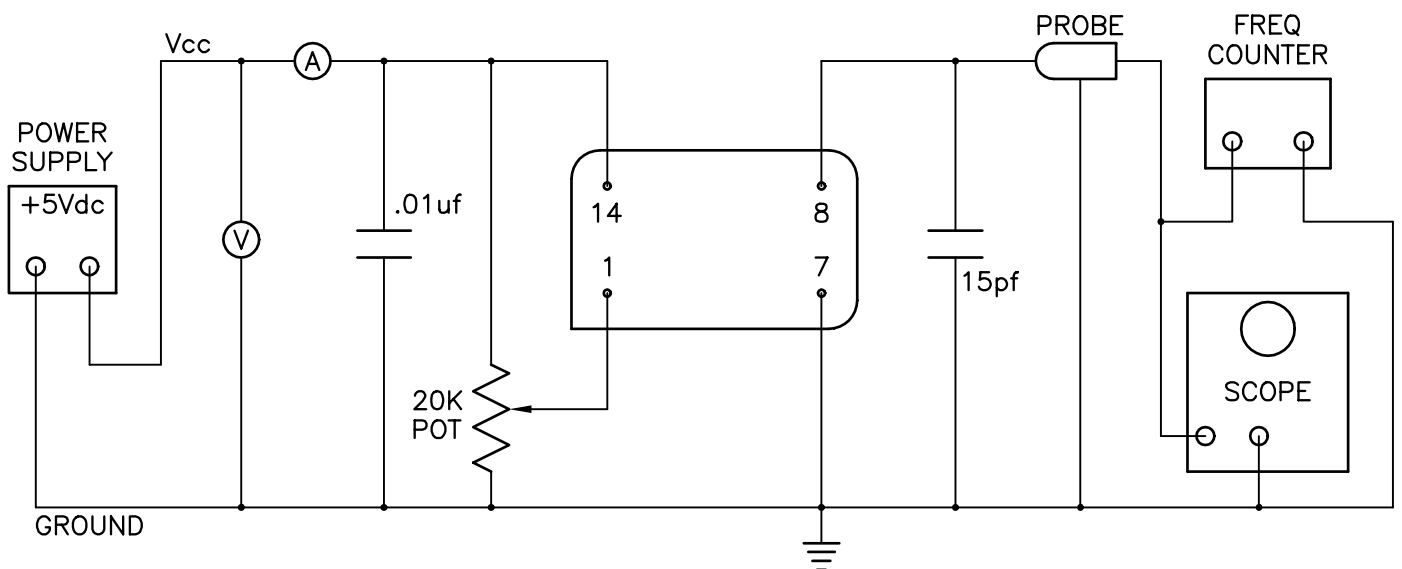
AURORA, IL. 60505
 PHONE (630) 851-4722
 FAX (630) 851-5040

14 PIN DIP HCMOS TCXO

PACKAGE OUTLINE



TEST DIAGRAM



Specifications subject to change without notice

BULLETIN #: TX021
 PAGE 2 OF 2

REV: 01
 DATE: 3/18/96

ISSUED BY: _____