



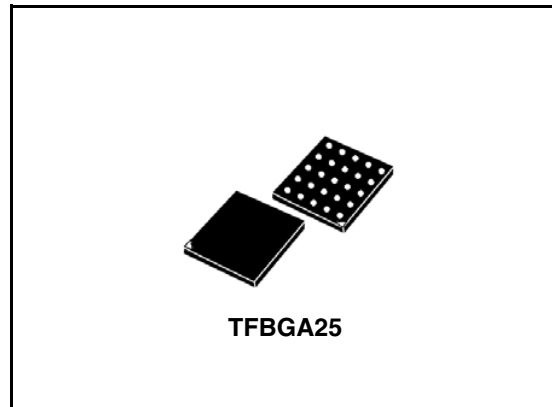
STMPE1601

16-bit enhanced port expander with keypad and PWM controller Xpander Logic

Preliminary Data

Features

- 16 GPIOs (8 operate at core supply V_{CC} , 8 operate at IO supply V_{IO})
- Operating voltage 1.8 –3.3 V
- Hardware keypad controller (8*8 matrix with 4 optional dedicated keys max)
- Keypad controller capable of detecting key-press in hibernation mode
- 4 basic PWM controller for LED brightness control
- Interrupt output (open drain) pin
- Optional 32 kHz clock input
- 8-channel programmable level translator
- Advanced power management system
- Ultra-low standby-mode current
- Package TFBGA25 (3 x 3 mm)



Description

The STMPE1601 is a GPIO (general purpose input/output) port expander able to interface a main digital ASIC via the two-line bidirectional bus (I^2C). A separate GPIO expander IC is often used in mobile multimedia platforms to solve the problems of the limited number of GPIOs typically available on the digital engine.

The STMPE1601 offers great flexibility, as each I/O can be configured as input, output or specific functions. The device is able to scan a keyboard, also provides PWM outputs for brightness control in backlight, and GPIO. This device has been designed to include very low quiescent current, and a wake-up feature for each I/O, to optimize the power consumption of the IC.

Potential applications of the STMPE1601 include portable media players, game consoles, mobile and smart phones.

Table 1. Device summary

Order code	Package	Packaging
STMPE1601TBR	TFBGA25	Tape and reel

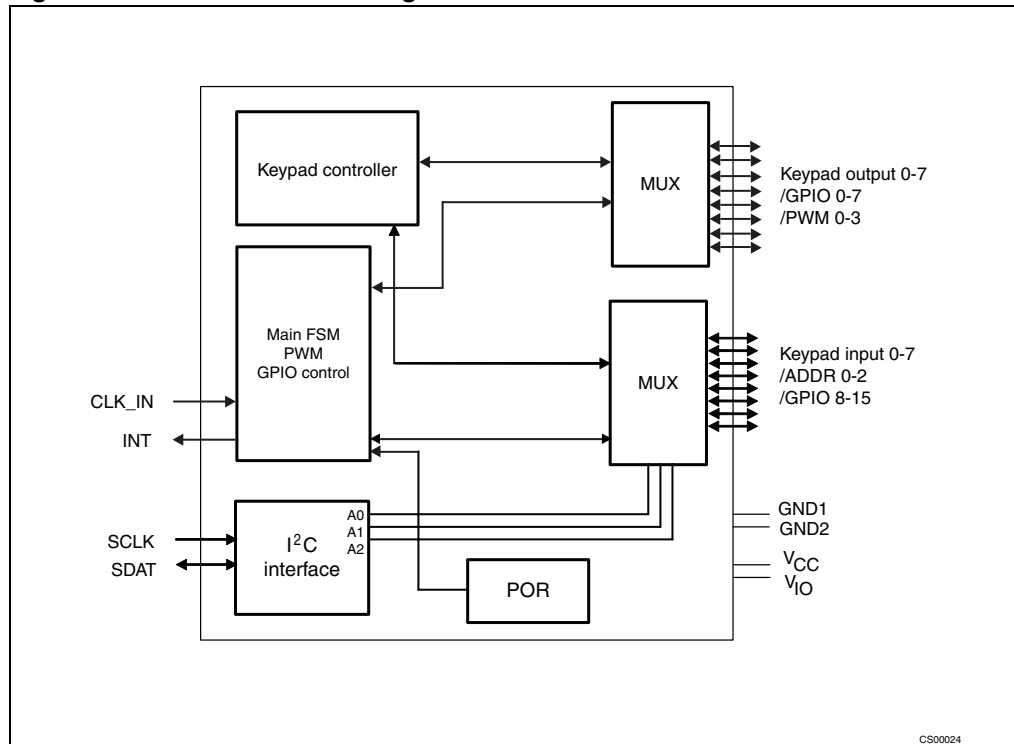
Contents

1	Block diagram	4
2	Pin settings	5
2.1	Pin connection	5
2.2	Pin assignment and TFBGA ball location	5
2.3	Pin mapping to TFBGA (top through view)	6
2.4	GPIO pin functions	7
3	Maximum rating	8
3.1	Absolute maximum rating	8
3.2	Thermal data	8
4	Electrical specification	9
4.1	DC electrical characteristics	9
4.2	Input/Output DC electrical characteristics	9
5	Register map	11
6	I²C interface	12
6.1	Start condition	12
6.2	Stop condition	12
6.3	Acknowledge bit (ACK)	13
6.4	Data input	13
6.5	Slave device address	13
6.6	Memory addressing	13
6.7	Operating modes	14
6.8	General call address	15
7	System controller	16
7.1	States of operation	19
7.2	Autosleep	20
7.3	Keypress detect in the hibernate mode	20

8	Clocking system	21
8.1	Clock source	21
8.2	Power mode programming sequence	22
9	Interrupt system	23
9.1	Interrupt system register map	23
9.1.1	Interrupt latency	24
9.2	Programming sequence	28
10	GPIO controller	29
10.1	GPIO control registers	30
10.2	Hotkey feature	31
10.2.1	Programming sequence for Hotkey	31
10.2.2	Minimum pulse width	31
10.3	Level translator feature	32
11	Basic PWM controller	33
11.1	Interrupt on basic PWM controller	38
11.2	Trigger feature	38
12	Keypad controller	39
12.1	Keypad configurations	40
12.2	Registers in keypad controller	42
13	Data registers	47
14	Keypad combination key registers	51
15	Miscellaneous features	54
15.1	Reset	54
15.2	Under voltage lockout	54
16	Package mechanical data	55
17	Revision history	57

1 Block diagram

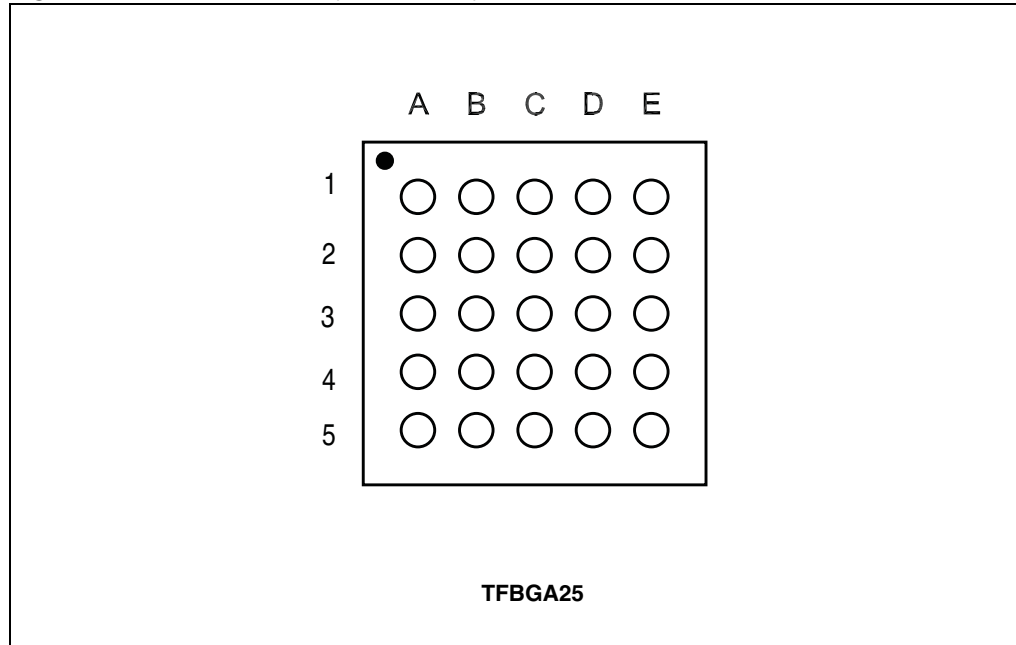
Figure 1. STMPE1601 block diagram



2 Pin settings

2.1 Pin connection

Figure 2. Pin connection (bottom view)



2.2 Pin assignment and TFBGA ball location

Table 2. Pin assignment

Ball name	Name	Type	Description
E5	GPIO_0	I/O	GPIO 0/ KP_X0/ PWM_0
D4	GPIO_1	I/O	GPIO 1/ KP_X1/ PWM_1
D5	GPIO_2	I/O	GPIO 2/ KP_X2/ PWM_2
C4	GPIO_3	I/O	GPIO 3/ KP_X3/ PWM_3
A5	GPIO_4	I/O	GPIO 4/ KP_X4
A4	GPIO_5	I/O	GPIO 5/ KP_X5
B3	GPIO_6	I/O	GPIO 6/ KP_X6
A3	GPIO_7	I/O	GPIO 7/ KP_X7
A2	GPIO_8	I/O	GPIO 8/ KP_Y0
A1	GPIO_9	I/O	GPIO 9/ KP_Y1
B2	GPIO_10	I/O	GPIO 10/ KP_Y2

Table 2. Pin assignment (continued)

Ball Name	Name	Type	Description
B1	GPIO_11	IO	GPIO 11/ KP_Y3
D1	GPIO_12	IO	GPIO 12/ KP_Y4
D2	GPIO_13	IO	GPIO 13/ KP_Y5/ ADDR0
E1	GPIO_14	IO	GPIO 14/ KP_Y6/ ADDR1
E2	GPIO_15	IO	GPIO 15/ KP_Y7/ ADDR2
B5	INT	O	Open drain interrupt output pin
E4	Reset_N	I	External reset input, active LOW
E3	SDATA	A	I ² C DATA
D3	SCLK	A	I ² C clock
B4	CLK_IN	A	32 kHz input
C5	VCC	-	1.8 –3.3 V input for I ² C module and digital core
C1	VIO	-	1.8 –3.3 V input for GPIO
C2	GND	-	
C3	GND	-	

2.3 Pin mapping to TFBGA (top through view)

Table 3. Pin mapping

	1	2	3	4	5
A	GPIO_9	GPIO_8	GPIO_7	GPIO_5	GPIO_4
B	GPIO_11	GPIO_10	GPIO_6	CLK_IN	INT
C	VIO	GND	GND	GPIO_3	VCC
D	GPIO_12	GPIO_13	SCLK	GPIO_1	GPIO_2
E	GPIO_14	GPIO_15	SDATA	RESET_N	GPIO_0

2.4 GPIO pin functions

Table 4. GPIO pin functions

Name	Primary function	Alternate function 1	Alternate function 2	Note
GPIO_0	GPIO	Keypad	PWM	
GPIO_1	GPIO	Keypad	PWM	
GPIO_2	GPIO	Keypad	PWM	
GPIO_3	GPIO	Keypad	PWM	
GPIO_4	GPIO	Keypad		
GPIO_5	GPIO	Keypad		
GPIO_6	GPIO	Keypad		
GPIO_7	GPIO	Keypad		
GPIO_8	GPIO	Keypad		
GPIO_9	GPIO	Keypad		
GPIO_10	GPIO	Keypad		
GPIO_11	GPIO	Keypad		
GPIO_12	GPIO	Keypad		
GPIO_13	GPIO	Keypad		I ² C ADDR during RESET
GPIO_14	GPIO	Keypad		I ² C ADDR during RESET
GPIO_15	GPIO	Keypad		I ² C ADDR during RESET

3 Maximum rating

Stressing the device above the rating listed in the “Absolute maximum ratings” table may cause permanent damage to the device. These are stress ratings only and operation of the device at these or any other conditions above those indicated in the Operating sections of this specification is not implied. Exposure to absolute maximum rating conditions for extended periods may affect device reliability. Refer also to the STMicroelectronics SURE Program and other relevant quality documents.

3.1 Absolute maximum rating

Table 5. Absolute maximum rating

Symbol	Parameter	Value	Unit
V_{CC}	Supply voltage	4.5	V
V_{IN}	Input voltage on GPIO pin	4.5	V
VESD (HBM)	ESD protection on each GPIO pin	2	kV

3.2 Thermal data

Table 6. Thermal data

Symbol	Parameter	Min	Typ	Max	Unit
R_{thJA}	Thermal resistance junction-ambient		100		°C/W
T_A	Operating ambient temperature	-40	25	85	°C
T_J	Operating junction temperature	-40	25	125	°C

4 Electrical specification

4.1 DC electrical characteristics

Table 7. DC electrical characteristics

Symbol	Parameter	Test conditions	Value			Unit
			Min	Typ	Max	
V_{CC}	1.8 V supply voltage		1.65	–	3.6	V
V_{IO}	IO supply voltage		1.65	–	3.6	V
$I_{HIBERNATE}$	HIBERNATE mode current	V_{CC} and $V_{IO} = 1.8$ V		5	10	μ A
I_{SLEEP}	SLEEP mode current	V_{CC} and $V_{IO} = 1.8$ V		15	50	μ A
I_{CC}	Operating current (FSM working – no peripheral activity)	V_{CC} and $V_{IO} = 1.8$ V		400	800	μ A
INT	Open drain output current			4		mA

4.2 Input/Output DC electrical characteristics

The 1.8 V I/O complies to the EIA/JEDEC standard JESD8-7.

Table 8. I/O DC electrical characteristic

Symbol	Parameter		Value			Unit
			Min	Typ	Max	
V_{il}	Low level input voltage	$V_{IO} = 1.8$ V			0.63	V
V_{ih}	High level input voltage	$V_{IO} = 1.8$ V	1.17			V
V_{hyst}	Schmitt trigger hysteresis	$V_{IO} = 1.8$ V		0.10		V
V_{il}	Low level input voltage	$V_{IO} = 3.3$ V			1.15	V
V_{ih}	High level input voltage	$V_{IO} = 3.3$ V	2.14			V
V_{hyst}	Schmidt trigger hysteresis	$V_{IO} = 3.3$ V		0.20		V

Table 9. DC input specification (1.55 V < V_{CC} < 1.95 V)

Symbol	Parameter	Test conditions	Value			Unit
			Min	Typ	Max	
V _{ol}	Low level output voltage	I _{ol} = 4 mA V _{IO} = 1.8 V			0.45	V
V _{oh}	High level output voltage	I _{oh} = 4 mA V _{IO} = 1.8 V	1.35			V
V _{ol}	Low level output voltage	I _{ol} = 4 mA V _{IO} = 3.3 V			0.83	V
V _{oh}	High level output voltage	I _{oh} = 4 mA V _{IO} = 3.3 V	2.48			V

Table 10. DC output specification (1.55 V < V_{CC} < 1.95 V)

Symbol	Parameter	Test conditions	Value			Unit
			Min	Typ	Max	
I _{pu}	Pull-up current	V _i = 0 V	15	35	65	μA
R _{up}	Equivalent pull-up resistance	V _i = 0 V V _{CC} = 1.8 V	30	50	103.3	KΩ
		V _{CC} = 1.8 V	50	100	150	KΩ

5 Register map

All the registers have the size of 8-bit. For each of the module, their registers are residing within the given address range.

Table 11. Register map summary table

Address	Module register	Description	Auto-increment (during read/write)
0x00 – 0x07 0x80 – 0x81	Clock and power manager module	Clock and power manager register range	Yes
0x10 – 0x1F	Interrupt controller module	Interrupt controller register range	Yes
0x30 – 0x37	PWM controller module	PWM controller register range	Yes
0x38 – 0x3F	PWM controller module	PWM controller register range	No
0x60 – 0x6F	Keypad controller module	Keypad controller register range	Yes
0x70 – 0x77	Rotator controller module	Rotator controller register range	Yes
0x82 – 0xBF	GPIO controller module	GPIO controller register range	Yes

6 I²C interface

The features that are supported by the I²C interface are listed below:

- I²C slave device
- Operates at 1.8 V
- Compliant to Philips I²C specification version 2.1
- Supports standard (up to 100kbps) and fast (up to 400 kbps) modes
- 7-bit and 10-bit device addressing modes
- General Call
- Start/Restart/Stop
- Address up to 8 STMPE1601 devices via the I²C interface

The address is selected by the state of 3 pins. The state of the pins is read upon reset and then the pins can be configured for normal operation. The pins have a pull-up or down to set the address. The I²C interface module allows the connected host system to access the registers in the STMPE1601.

Table 12. I²C addresses

A2	A1	A0	Address
0	0	0	40h
0	0	1	41h
0	1	0	42h
0	1	1	43h
1	0	0	44h
1	0	1	45h
1	1	0	46h
1	1	1	47h

6.1 Start condition

A Start condition is identified by a falling edge of SDATA while SCLK is stable at high state. A Start condition must precede any data/command transfer. The device continuously monitors for a Start condition and does not respond to any transaction unless one is encountered.

6.2 Stop condition

A Stop condition is identified by a rising edge of SDATA while SCLK is stable at high state. A Stop condition terminates the communication between the slave device and bus master. A read command that is followed by NoAck can be followed by a Stop condition to force the slave device into idle mode. When the slave device is in idle mode, it is ready to receive the next I²C transaction. A Stop condition at the end of a write command stops the write operation to the registers.

6.3 Acknowledge bit (ACK)

The acknowledge bit is used to indicate a successful byte transfer. The bus transmitter releases the SDATA after sending eight bits of data. During the ninth bit, the receiver pulls the SDATA low to acknowledge the receipt of the eight bits of data. The receiver may leave the SDATA in high state if it would not acknowledge the receipt of the data.

6.4 Data input

The device samples the data input on SDATA on the rising edge of the SCLK. The SDATA signal must be stable during the rising edge of SCLK and the SDATA signal must change only when SCLK is driven low.

6.5 Slave device address

The slave device address is a 7 or 10-bit address, where the least significant 3-bit are programmable. These 3-bit values will be loaded in once upon reset and after that these 3 pins no longer be needed with the exception during General Call. Up to 8 STMPE1601 devices can be connected on a single I²C bus.

6.6 Memory addressing

For the bus master to communicate to the slave device, the bus master must initiate a Start condition and followed by the slave device address. Accompanying the slave device address, there is a Read/ $\overline{\text{Write}}$ bit (R/ $\overline{\text{W}}$). The bit is set to 1 for Read and 0 for Write operation.

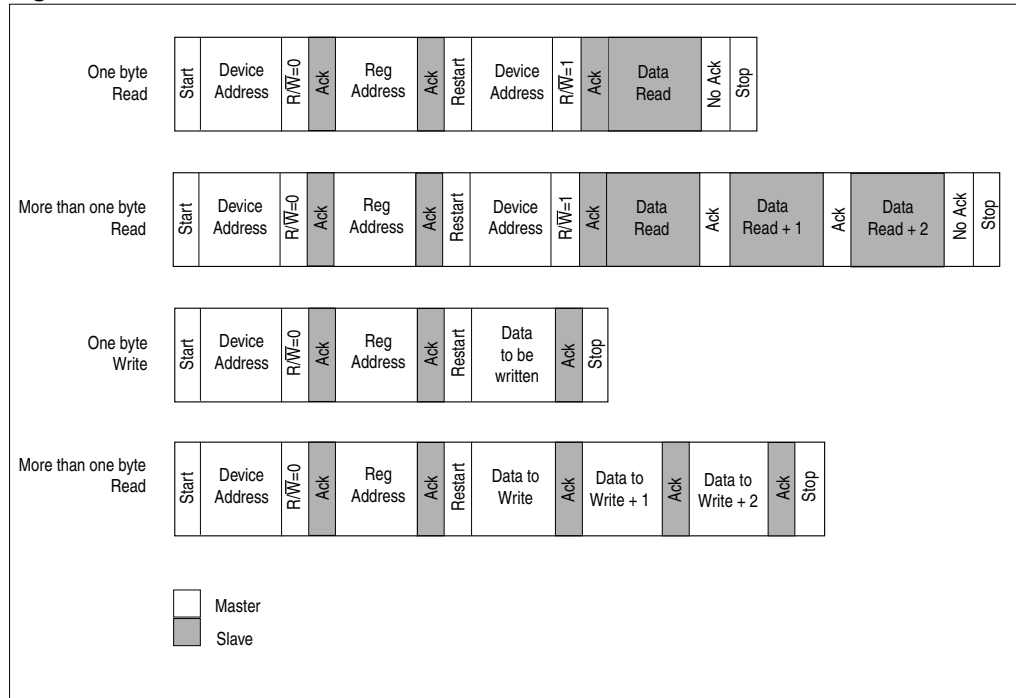
If a match occurs on the slave device address, the corresponding device gives an acknowledgement on the SDA during the 9th bit time. If there is no match, it deselects itself from the bus by not responding to the transaction.

6.7 Operating modes

Table 13. Operating modes

Mode	Bytes	Programming sequence
Read	≥1	START, Device address, R/W = 0, Register address to be read
		reSTART, Device address, R/W = 1, Data Read, STOP
<p>If no STOP is issued, the Data Read can be continuously performed. If the register address falls within the range that allows address auto-increment, then register address auto-increments internally after every byte of data being read. For register address that falls within a non-incremental address range, the address will be kept static throughout the entire read operations. Refer to the Memory Map table for the address ranges that are auto and non-increment. An example of such a non-increment address is FIFO.</p>		
Write	≥1	START, Device address, R/W = 0, Register address to be written, Data Write, STOP.
		<p>If no STOP is issued, the Data Write can be continuously performed. If the register address falls within the range that allows address auto-increment, then register address auto-increments internally after every byte of data being written. For those register addresses that fall within a non-incremental address range, the address will be kept static throughout the all write operations. Refer to the memory map table for the address ranges that are auto and non-increment. An example of a non-increment address is Data Port for initializing the PWM commands.</p>

Figure 3. I²C transaction



6.8 General call address

A general call address is a transaction with the slave address of 0x00 and $R/\overline{W} = 0$. When a general call address is made, STMPE1601 responds to this transaction with an acknowledgement and behaves as a slave-receiver mode. The meaning of a general call address is defined in the second byte sent by the master-transmitter.

Table 14. General call address

R/\overline{W}	Second byte value	Definition
0	0x06	A 2-byte transaction in which the second byte tells the slave device to reset and write (or latch in) the 2-bit programmable part of the slave address.
0	0x04	A 2-byte transaction in which the second byte tells the slave device not to reset and write (or latch in) the 2-bit programmable part of the slave address.
0	0x00	Not allowed as second byte.

Note: All other second byte values will be ignored.

7 System controller

The system controller is the heart of the STMPE1601. It contains the registers for power control, and the registers for chip identification.

The system registers are:

Table 15. System registers

Address	Register_Name
0x80	CHIP_ID
0x81	VERSION_ID
0x02	SYS_CTRL
0x03	SYS_CTRL_2

CHIP_ID

Chip identification register

7	6	5	4	3	2	1	0
8-bit MSB of CHIP_ID							
R	R	R	R	R	R	R	R
0	0	0	0	0	0	1	0

VERSION_ID

Version identification register

7	6	5	4	3	2	1	0
8-bit VERSION_ID							
R	R	R	R	R	R	R	R
0	0	0	1	0	0	0	0

SYS_CTRL **System control register**

7	6	5	4	3	2	1	0
SOFT_RESET	CLOCK SOURCE	DIS_32KHz	SLEEP	EN_GPIO	RESERVED	EN_KPC	EN_SPWM
W	RW	RW	RW	RW	RW	RW	RW
RW	R	R	RW	R	R	R	R
0	0	0	0	1	??	1	1

Address: 0x02
Type: R/W
Buffer:
Reset: 0x0B
Description: System control register.

- [7] **SOFT_RESET**
 Writing a '1' to this bit will do a soft reset of the device. Once the reset is done, this bit will be cleared to '0' by the HW.
- [6] **CLOCK_SOURCE**
 Set to '1' if external 32 kHz clock were to be used. '0' by default.
- [5] **DIS_32 kHz:**
 Set this bit to disable the 32 kHz OSC, thus putting the device in hibernate mode.
- [4] **SLEEP:**
 Writing a '1' to this bit will put the device in sleep mode. On going to sleep mode, this mode is reset internally. When in sleep mode, the internal RC oscillator will output a slower sleep clock which will be used in the device.
- [3] **EN_GPIO:**
 Writing a '0' to this bit will gate off the clock to the GPIO module, thus stopping its operation
- [2] **RESERVED**
- [1] **EN_KPC:**
 Writing a '0' to this bit will gate off the clock to the Keypad Controller module, thus stopping its operation
- [0] **EN_SPWM**
 Writing a '0' to this bit will gate off the clock to the Simple PWM Controller module, thus stopping its operation

SYS_CTRL_2

System control register 2

7	6	5	4	3	2	1	0
RESERVED			VIO_OFF	AUTOSLEEP_EN	SLEEP_2	SLEEP_1	SLEEP_0
R			R	RW	RW	RW	RW
0			0	0	0	0	0

Address: 0x03

Type: R/W

Buffer:

Reset: 0x00

Description: System control register

[7] **RESERVED**

[6] **RESERVED**

[5] **RESERVED**

[4] **VIO_OFF:**

Writing a '1' to this bit is mandatory before shutting off the VIO supply while maintaining the VCC supply.

This ensure that the level shifters for GPIOs 15-8 are properly powered down so as not to induce high current and also not to affect the integrity of any external signals that are on the bus where these GPIOs are connected.

[3] **AUTOSLEEP_EN:**

"1" to enable auto-sleep feature. "0" to disable auto-sleep.

[2:0] **SLEEP:**

000 for 4 mS delay

001 for 16 mS delay

010 for 32 mS delay

011: for 64 mS delay

100: for 128 mS delay

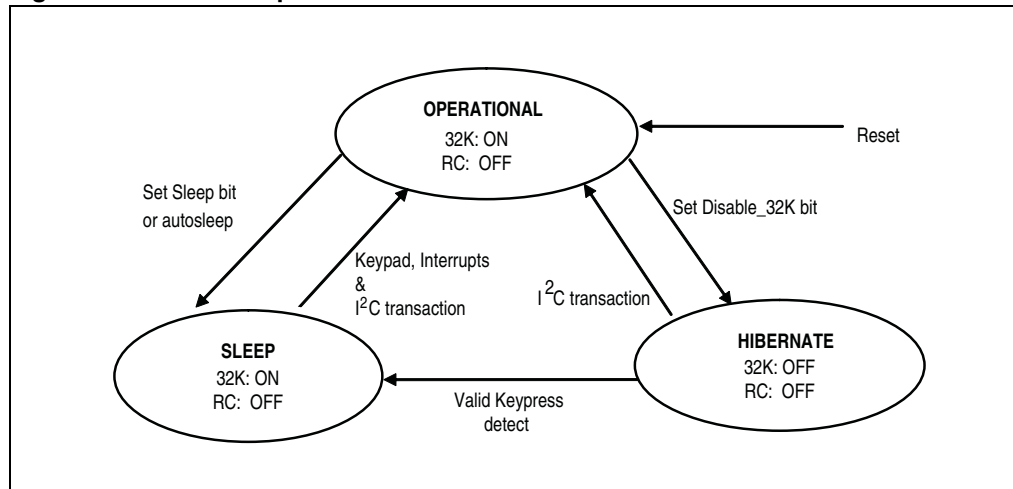
101: for 256 mS delay

110: for 512 mS delay

111: for 1024 mS delay

7.1 States of operation

Figure 4. Modes of operation



The device has three main modes of operation:

- **Operational mode:** This is the mode, whereby normal operation of the device takes place. In this mode, the RC4M clock is available and the main FSM unit routes this clock and the 32 KHz clock to all the device blocks that are enabled. In this mode, individual blocks that need not to be working can be turned off by the master by programming the bits 3 to 0 of the SYS_CTRL register.
- **Sleep mode:** In this low-power mode, the 4MHz RC oscillator is powered down. All the blocks which need clocks derived from the 32KHz clock will continue getting a 32 KHz clock. In this mode also, individual blocks can be turned off by the master by programming the bits 3 to 0 of the SYS_CTRL register. However, the master needs to program the SYS_CTRL register before coming into this mode, as in the sleep mode, the IIC interface is not active except to detect traffic for wakeup. Any activity on the I²C port (intended I²C transaction for the device) or Wakeup pin or Hotkey activity will cause the device to leave this mode and go into the Operational mode. When leaving this mode, the I²C will need to hold the SCLK till the RC4M clock is ready.
- **Hibernate mode:** This mode is entered when the system writes a '1' to bit 5 of the SYS_CTRL register. In this mode, the device is completely inactive as there is absolutely no clock. Only a Reset or a wakeup on IIC will bring back the System to operational mode. A keypress detect will bring the system to Sleep mode, in which the debounce of the key will take place.

Note: The 32 kHz clock mentioned in this section can be (1) an externally fed 32 KHz clock, or (2) an internally generated (from RC OSC) clock. In case the internal clock is used, the clock has a range of 25 to 45 KHz.

7.2 Autosleep

The host system may configure the STMPE1601 to go into sleep mode automatically whenever there is a period of inactivity following a complete I²C transaction with the STMPE1601. This inactivity means there is no intended I²C transaction for the device. For example, if there is an I²C transaction sent by the host to other slave devices, the STMPE1601 device will still be counting down for the auto-sleep. The STMPE1601 device resets the autosleep time-out counter only when it receives an I²C transaction meant for the device itself. This autosleep feature is controlled by the SYS_CTRL_2 (system control register 2).

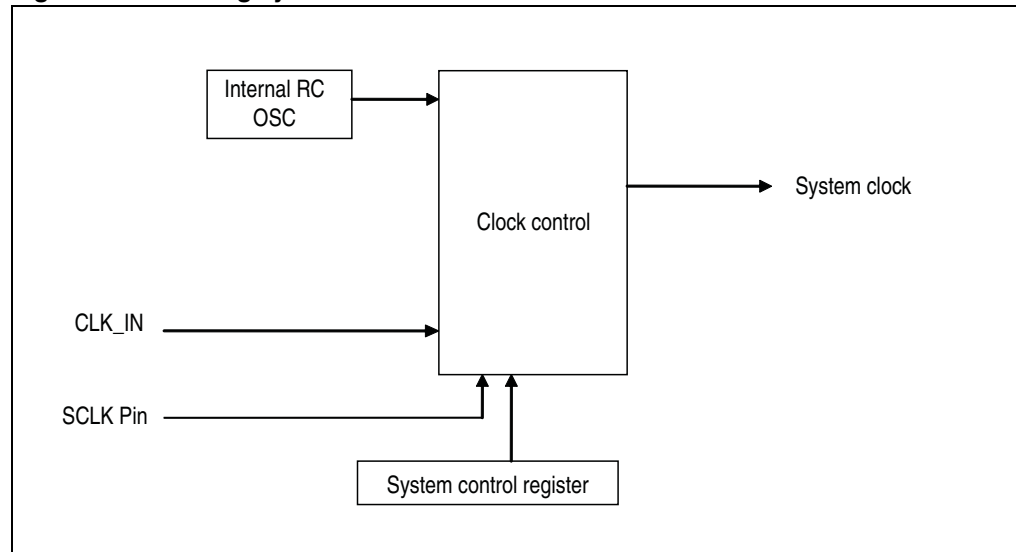
All those events that trigger an interrupt (KPC, hot-key) would result in a transition from Sleep state to Operational state automatically. The wakeup can also be performed through the I²C transaction intended for the device.

7.3 Keypress detect in the hibernate mode

When in Hibernate mode, a keypress detect causes the system to go into sleep mode. The sleep clock (32 kHz) is then used to debounce the key to detect a valid key. If the keypress is detected to be valid, the system stays in sleep mode. If the key is detected to be invalid, the system goes back into Hibernate mode.

8 Clocking system

Figure 5. Clocking system



The decision on clocks is based on the bits written into the SYS_CTRL registers. Bits 0 to 4 of the SYS_CTRL register allow to control the gating of clocks to the Rotator, Keypad controller, PWM and GPIO respectively in the operational mode.

8.1 Clock source

By default, when the STMPE1601 powers up, it derives a 32 KHz clock from the internal RC oscillator for its operation. If an external clock source is available, it must be configured to accept an external clock through the SYS_CTRL register.

Reset control: There are 4 sources of reset:

- Reset_N pin
- LVD reset
- Soft reset bit of the SYS_CTRL register
- I²C reset from the I²C block.

8.2 Power mode programming sequence

To put the device in sleep mode, the following needs to be done by the host:

- Write a '1' to bit 4 of the SYS_CTRL register.

To wake up the device, the host is required to:

- Assert a wakeup routine on the I²C bus by sending the Start bit, followed by the device address and the Write bit. Subsequently, proceed with sending the Base Register address and continue with a normal I²C transaction. The device wakes up upon receiving the correct device address and in Write direction. In other words, the procedure of waking up the device is performed by just sending an I²C transaction to the device. This procedure can be extended to wake up the device that is in hibernate mode.

To do a soft reset to the device, the host needs to do the following:

- Write a '1' to bit 7 of the SYS_CTRL register. This bit is automatically cleared upon reset.

To go into Hibernate mode, the following needs to be done by the host:

- Set the Disable_32K bit to '1'

To come out of the Hibernate mode, the following needs to be done by the host:

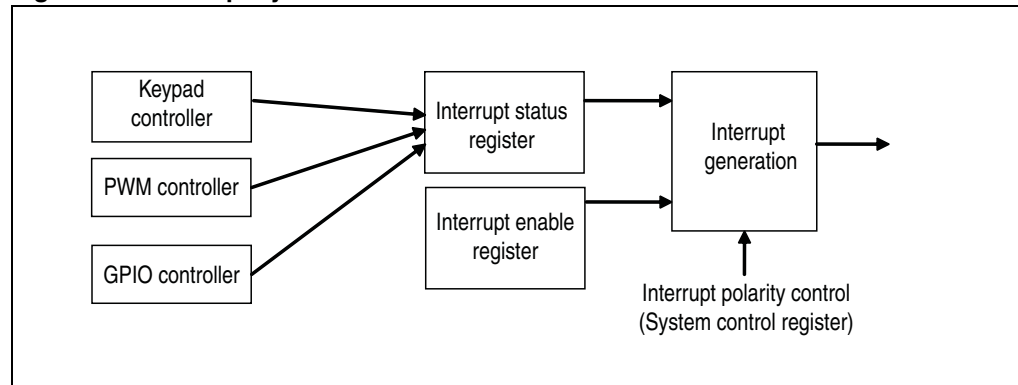
- Assert a system reset
- or put a wakeup on the I²C

9 Interrupt system

The STMPE1601 uses a highly flexible interrupt system. It allows the host system to configure the type of system events that should result in an interrupt, and pinpoints the source of interrupt by status register. The INT pin can be configured as ACTIVE HIGH, or ACTIVE LOW.

Once asserted, the INT pin would de-assert only if the corresponding bit in the interrupt status register is cleared.

Figure 6. Interrupt system



9.1 Interrupt system register map

Table 16. Register map

Address	Register name	Description	Auto-increment (during sequential R/W)
0x10	INT_CTRL_MSB	Interrupt control register	Yes
0x11	INT_CTRL_LSB		Yes
0x12	INT_EN_MASK_MSB	Interrupt enable mask register	Yes
0x13	INT_EN_MASK_LSB		Yes
0x14	INT_STA_MSB	Interrupt status register	Yes
0x15	INT_STA_LSB		Yes
0x16	INT_EN_GPIO_MASK_MSB	Interrupt enable GPIO mask register	Yes
0x17	INT_EN_GPIO_MASK_LSB		Yes
0x18	INT_STA_GPIO_MSB	Interrupt status GPIO register	Yes
0x19	INT_STA_GPIO_LSB		Yes

9.1.1 Interrupt latency

When the generation of interrupts by the GPIO as input is enabled, the latency (time taken from actual transition at GPIO to time of INT pin assertion) is shown in the following table:

Table 17. Interrupt latency

State of operation	Interrupt latency
Hibernation	10 uS max
Sleep	5 uS max
Active	2 uS max

INT_CTRL Interrupt control register

15	14	13	12	11	10	9	8	7	6	5	4	3	2	1	0
INT_CTRL_msb								INT_CTRL_lsb							
Reserved													IC2	IC1	IC0
R	R	R	R	R	R	R	R	R	R	R	R	R	RW	RW	RW
0	0	0	0	0	0	0	0	0	0	0	0	0	0	0	0

Address: 0x10, 0x11

Buffer: R, R/W

Reset: 0x00

Description: The interrupt control register is used to configure the interrupt controller. It has a global enable interrupt mask bit that controls the interruption to the host.

[15:3] RESERVED

[2] **IC2**

[1] **IC1:** Output Interrupt Type

'0' = Level interrupt

'1' = Edge interrupt

[0] **IC0:** Global Interrupt Mask bit

When this bit is written a '1', it will allow interruption to the host. If it is written with a '0', then, it disables all interruption to the host. Writing to this bit does not affect the INT_EN_MASK value.

INT_EN_MASK **Interrupt enable mask register**

15	14	13	12	11	10	9	8	7	6	5	4	3	2	1	0
INT_EN_MASK_msb								INT_EN_MASK_lsb							
							IE8	IE7	IE6	IE5	IE4	IE3	IE2	IE1	IE0
R	R	R	R	R	R	R	RW	R/W	R/W	RW	RW	RW	RW	RW	RW
0	0	0	0	0	0	0	0	0	0	0	0	0	0	0	0

Address: 0x12, 0x13

Buffer: R, R/W

Reset: 0x00

Description: The interrupt enable mask register is used to enable the interruption from a particular interrupt source to the host.

[15:9] INT_EN_MASK_MSB

[8] **IE[x]:**

Interrupt Enable Mask (where x = 8 to 0)

IE0: Wake-up interrupt mask

IE1: Keypad controller interrupt mask

IE2: Keypad controller FIFO overflow interrupt mask

IE3: Reserved

IE4: Basic PWM controller 0 interrupt mask

IE5: Basic PWM controller 1 interrupt mask

IE6: Basic PWM controller 2 interrupt mask

IE7: Basic PWM controller 3 interrupt mask

IE8: GPIO controller interrupt mask

Writing a '1' to the IE[x] bit enables the interruption to the host.

INT_STA

Interrupt status register

15	14	13	12	11	10	9	8	7	6	5	4	3	2	1	0
ISR_msb								ISR_lsb							
							IS8	-	-	IS5	IS4	IS3	IS2	IS1	IS0
R	R	R	R	R	R	R	RW	-	-	RW	RW	RW	RW	RW	RW
0	0	0	0	0	0	0	0	0	0	0	0	0	0	0	0

Address: 0x14, 0x15

Type: R, R/W

Buffer:

Reset: 0x00

Description: The interrupt status register monitors the status of the interruption from a particular interrupt source to the host. Regardless whether the INT_EN bits are enabled or not, the INT_STA bits are still updated.

[15:9]

[8:0] **IS[x]:**

Interrupt status (where x = 8 to 0)

Read:

IE0: Wake-up Interrupt Status

IE1: Keypad controller interrupt status

IE2: Keypad controller FIFO overflow interrupt status

IE3: Reserved

IE4: Basic PWM controller 0 interrupt status

IE5: Basic PWM controller 1 interrupt status

IE6: Basic PWM controller 2 Interrupt status

IE7: Basic PWM controller 3 interrupt status

IE8: GPIO Controller Interrupt Status

Write: a write to a IS[x] bit with a value of '1' will clear the interrupt and a write with a value of '0' has no effect on the IS[x] bit.

INT_EN_GPIO_MASK **Interrupt enable GPIO mask register**

15	14	13	12	11	10	9	8	7	6	5	4	3	2	1	0
INT_EN_GPIO_MASK_msb								INT_EN_GPIO_MASK_lsb							
IEG15	IEG14	IEG13	IEG12	IEG11	IEG10	IEG9	IEG8	IEG7	IEG6	IEG5	IEG4	IEG3	IEG2	IEG1	IEG0
RW	RW	RW	RW	RW	RW	RW	RW	RW	RW	RW	RW	RW	RW	RW	RW
0	0	0	0	0	0	0	0	0	0	0	0	0	0	0	0

Address: 0x16, 0x17

Type: R/W

Buffer:

Reset: 0x00

Description: The interrupt enable GPIO mask register is used to enable the interruption from a particular GPIO interrupt source to the host. The IEG[15:0] bits are the interrupt enable mask bits correspond to the GPIO[15:0] pins

[15:0] **IEG[x]**: interrupt enable GPIO mask (where x = 15 to 0)
 Writing a '1' to the IE[x] bit will enable the interruption to the host.

INT_STA_GPIO **Interrupt status GPIO register**

15	14	13	12	11	10	9	8	7	6	5	4	3	2	1	0
INT_STA_GPIOR_msb								INT_STA_GPIOR_lsb							
ISG15	ISG14	ISG13	ISG12	ISG11	ISG10	ISG9	ISG8	ISG7	ISG6	ISG5	ISG4	ISG3	ISG2	ISG1	ISG0
RW	RW	RW	RW	RW	RW	RW	RW	RW	RW	RW	RW	RW	RW	RW	RW
0	0	0	0	0	0	0	0	0	0	0	0	0	0	0	0

Address: 0x18, 0x19

Type: R/W

Buffer:

Reset: 0x00

Description: The interrupt status GPIO register monitors the status of the interruption from a particular GPIO pin interrupt source to the host. Regardless whether the INT_EN_GPIO_MASK bits are enabled or not, the INT_STA_GPIO bits are still updated. The INT_STA_G[15:0] bits are the interrupt status bits correspond to the GPIO[15:0] pins.

[15:0] **ISG[x]**
 Interrupt status GPIO (where x = 15 to 0)

Read:
 Interrupt status of the GPIO[x].

Write:
 A write to a ISG[x] bit with a value of '1' will clear the interrupt and a write with a value of '0' has no effect on the ISG[x] bit.

9.2 Programming sequence

To configure and initialize the Interrupt Controller to allow interruption to host, observe the following steps:

- Set the INT_EN_MASK and INT_EN_GPIO_MASK registers to the desired values to enable the interrupt sources that are to be expected to receive from.
- Configure the output interrupt type and polarity and enable the global interrupt mask by writing to the INT_CTRL.
- Wait for interrupt.
- Upon receiving an interrupt, the INT pin is asserted.
- The host comes to read the INT_STA register through the I²C interface. A '1' in the INT_STA bits indicates that the corresponding interrupt source is triggered.
- If the IS8 bit in INT_STA register is set, the interrupt is coming from the GPIO controller. Then, a subsequent read is performed on the INT_STA_GPIO register to obtain the interrupt status of all 16 GPIOs to locate the GPIO that triggers the interrupt. This is a feature so-called 'Hot Key'.
- After obtaining the interrupt source that triggers the interrupt, the host performs the necessary processing and operations related to the interrupt source.
- If the interrupt source is from the GPIO Controller, two write operations with value of '1' are performed to the ISG[x] bit (INT_STA_GPIO) and the IS[8] (ISR) to clear the corresponding GPIO interrupt.
- If the interrupt source is from other module, a write operation with value of '1' is performed to the IS[x] (ISR) to clear the corresponding interrupt.
- Once the interrupt is being cleared, the INT pin will also be de-asserted if the interrupt type is level interrupt. An edge interrupt will only assert a pulse width of 250ns.
- When the interrupt is no longer required, the IC0 bit in INT_CTRL may be set to '0' to disable the global interrupt mask bit.

10 GPIO controller

A total of 16 GPIOs are available in the STMPE1601 port expander IC. Most of the GPIOs are sharing physical pins with some alternate functions. The GPIO controller contains the registers that allow the host system to configure each of the pins into either a GPIO, or one of the alternate functions. Unused GPIOs should be configured as outputs to minimize the power consumption.

Table 18. GPIO controller

Offset address	Register name	Description	Auto-increment (during sequential R/W)
0x02	GPIO_SET_MSB	GPIO set pin state register	Yes
0x03	GPIO_SET_LSB		Yes
0x04	GPIO_CLR_msb	GPIO clear pin state register	Yes
0x05	GPIO_CLR_LSB		Yes
0x06	GP_MP_MSB	GPIO monitor pin state register	Yes
0x07	GPIO_MP_LSB		Yes
0x08	GPIO_SET_DIR_MSB	GPIO set pin direction register	Yes
0x09	GPIO_SET_DIR_LSB		Yes
0x0A	GPIO_ED_MSB	GPIO edge detect status register	Yes
0x0B	GPIO_ED_LSB		Yes
0x0C	GPIO_RE_MSB	GPIO rising edge register	Yes
0x0D	GPIO_RE_LSB		Yes
0x0E	GPIO_FE_MSB	GPIO falling edge register	Yes
0x0F	GPIO_FE_LSB		Yes
0x10	GPIO_PULL_UP_MSB	GPIO pull up register	Yes
0x11	GPIO_PULL_UP_LSB		Yes
0x12	GPIO_AF_U_MSB	GPIO alternate function register (upper bit)	Yes
0x13	GPIO_AF_U_MSB		Yes
0x14	GPIO_AF_L_MSB	GPIO alternate function register (lower bit)	Yes
0x15	GPIO_AF_L_LSB		Yes
0x16	GPIO_LT_EN	GPIO level translator enable	Yes
0x17	GPIO_LT_DIR	GPIO level translator direction	Yes
0x18-1F	RESERVED	Reserved	Yes

10.1 GPIO control registers

A group of registers is used to control the exact function of each of the 16 GPIOs.

All the GPIO registers are named as GPxxx_yyy, where:

- Xxx represents the functional group
- Yyy represents the byte position of the GPIO
- Lsb registers control GPIO[7:0]
- Msb registers control GPIO[8:15]

Table 19. Bit description

	7	6	5	4	3	2	1	0
GPxxx_msb	IO-15	IO-14	IO-13	IO-12	IO-11	IO-10	IO-9	IO-8
GPxxx_lsb	IO-7	IO-6	IO-5	IO-4	IO-3	IO-2	IO-1	IO-0

The function of each bit is shown in the following table:

Table 20. Register description

Register name	Function
GPIO monitor pin state	Reading this bit yields the current state of the bit. Writing has no effect.
GPIO set pin state	Writing '1' to this bit causes the corresponding GPIO to go to '1' state. Writing '0' has no effect.
GPIO clear pin state	Writing '1' to this bit causes the corresponding GPIO to go to '0' state. Writing '0' has no effect.
GPIO set pin direction	'0' sets the corresponding GPIO to input state, and '1' sets it to output state
GPIO edge detect status	Set to '1' by hardware when there is a rising/falling edge on the corresponding GPIO. Writing '1' clears the bit. Writing '0' has no effect.
GPIO rising edge	Set to '1' to enable rising edge detection on the corresponding GPIO.
GPIO falling edge	Set to '1' to enable falling edge detection on the corresponding GPIO.
GPIO pull up	Set to '1' to enable internal pull-up resistor
GPIO alternate function (upper bit)	'00' for primary function '01' for Alternate Function 1
GPIO alternate function (lower bit)	'10' for Alternate Function 2 '11' - Reserved

10.2 Hotkey feature

A GPIO is known as 'Hotkey' when it is configured to trigger an interruption to the host whenever the GPIO input is being asserted. This feature is applicable in Operational mode (4 MHz clock is present) as well as Sleep mode (32 kHz clock is present).

10.2.1 Programming sequence for Hotkey

1. Configure the GPIO pin into GPIO mode by setting the corresponding bits in the GPAFR.
2. Configure the GPIO pin into input direction by setting the corresponding bit in GPDR.
3. Set the GPRER and GPFER to the desired values to enable the rising edge or falling edge detection.
4. Configure and enable the interrupt controller to allow the interruption to the host.
5. Now, the GPIO expander may be put into Sleep mode if it is desired.
6. Upon any hot-key being asserted, the device will wake up and issue an interrupt to the host.

Below are the conditions to be fulfilled in order to configure a Hot Key:

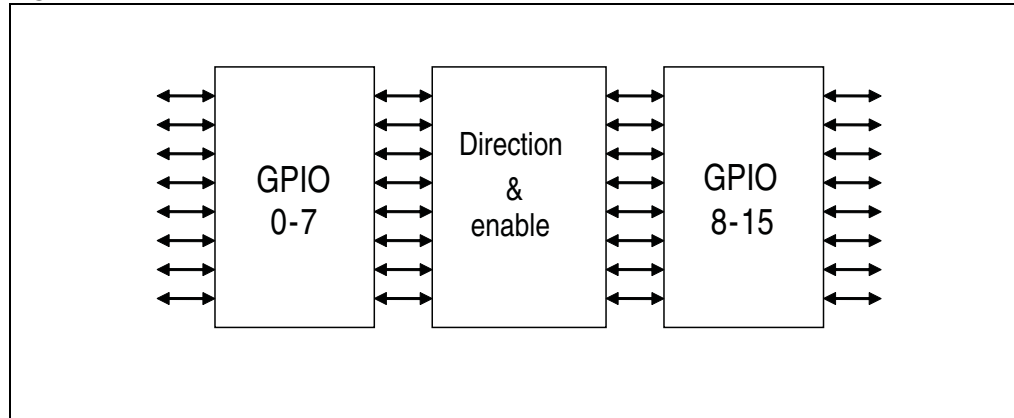
1. The pin is configured into GPIO mode and as input pin.
2. The global interrupt mask bit is enabled.
3. The corresponding GPIO interrupt mask bit is enabled.

10.2.2 Minimum pulse width

The minimum pulse width of the assertion of the Hotkey must be at least 62.5 us. Any pulse width less than the stated value may not be registered.

10.3 Level translator feature

Figure 7. Level translator feature



When enabled, the GPIO 0-7 bits are internally mapped to GPIO 8-15 bits. The STMPE1601 becomes an 8-channel level translator where each of the channels may have its direction set individually. As GPIO 0-7 operates from Vcc, and GPIO 8-15 operates from Vio, this allows the 2 groups of GPIO to work as a level translator.

Warning: When the level translator feature is enabled, the “Set pin”, “Clear pin” and “Set direction” bits in the corresponding registers will be ignored. However, the “Monitor pin”, “Edge detect”, “Pull-up” features are still available in the GPIOs used as level translator.

11 Basic PWM controller

The advanced PWM allows complex brightness and blinking control of an LED. The Basic PWM Controller allows simpler brightness control and basic blinking patterns. STMPE1601 is fitted with 4 channel of basic PWM controller.

Table 21. Basic PWM controller

Address	Register name	Description	Auto-increment (during sequential R/W)
0x40	PWM_OFF_OUT	Set the output level when PWM is disabled	Yes
0x41	CHANNEL_FUNCT_EN	Enable/disable individual basic PWM channels	Yes
0x50	PWM_0_SET	PWM_0 brightness and timing setting	Yes
0x51	PWM_0_CTRL	PWM_0 blinking control	Yes
0x52	PWM_0_TRIGGER	Enable use trigger on PWM 0	Yes
0x54	PWM_1_SET	PWM_1 brightness and timing setting	Yes
0x55	PWM_1_CTRL	PWM_1 blinking control	Yes
0x56	PWM_1_TRIGGER	Enable use trigger on PWM 1	Yes
0x58	PWM_2_SET	PWM_2 brightness and timing setting	Yes
0x59	PWM_2_CTRL	PWM_2 blinking control	Yes
0x5A	PWM_2_TRIGGER	Enable use trigger on PWM 2	Yes
0x5C	PWM_3_SET	PWM_3 brightness and timing setting	Yes
0x5D	PWM_3_CTRL	PWM_3 blinking control	Yes
0x5E	PWM_3_TRIGGER	Enable use trigger on PWM 3	Yes

PWM_OFF_OUTPUT **PWM off output**

7	6	5	4	3	2	1	0
-	-	-	-	OUT3	OUT2	OUT1	OUT0
RW	RW	RW	RW	RW	RW	RW	RW
0	0	0	0	0	0	0	0

Address: 0x40**Type:** R/W**Buffer:****Reset:** 0x00**Description:** Set the output level when the PWM is disabled

- [7:0] **OUT7~0:**
 Default is '0'
 1: PWM channel outputs '1' when disabled
 0: PWM channel outputs '0' when disabled

CHANNEL_FUNCT_EN **Channel function enabling**

7	6	5	4	3	2	1	0
ALT_3	ALT_2	ALT_1	ALT_0	EN_3	EN_2	EN_1	EN_0
RW	RW	RW	RW	RW	RW	RW	RW
0	0	0	0	0	0	0	0

Address: 0x41**Type:** R/W**Buffer:****Reset:** 0x00**Description:** Enable/disable individual basic PWM channels.

- [7:4] **ALT [3:0]:**
 Alternate mode
 Default is '0'
 HW writes to '1' if alternate operating feature (one-shot/WDT) is required
- [3:0] **EN [3:0]:**
 PWM channel enable
 Default is '0'
 SW writes '1' to start PWM channel
 HW writes '0' when PWM blinking is completed

PWM_n_TRIGGER_n = 0 - 3 PWM trigger register n = 0 - 3

7	6	5	4	3	2	1	0
ARM	Edge	-	AC	MODE	GS2	GS1	GS0
RW	RW	RW	RW	RW	RW	RW	RW
0	0	0	0	0	0	0	0

Address: 0x52, 0x56, 0x5A, 0x5E

Type:

Buffer:

Reset: 0x00

Description: Enable use of trigger on PWM_n.

- [7] **RESET:** Always read '0'
S/W writes '1' to reset counter in WDT mode
Writing '1 and PWM/One
- [6] **EDGE:**
0: low-to-high
1: hi-to-low
- [5] **RESERVED:**
0: one-shot timer mode
1: watch-dog timer mode
This bit is only valid if the ALT bits in the Channel_function_En register is set to '1'
- [4] **MODE:**
For one-shot mode only .
Reload bit defines whether reload is necessary after trigger has occurred
0: to disable Auto-Reload
1: to enable Auto-Reload
- [3] **RELOAD**
- [2:0] **GS2:0:**
Trigger source select
000: GPIO-4
001: GPIO-5
010: GPIO-6
011: GPIO-7
100: GPIO-9
101: GPIO-10
110: GPIO-11
111: GPIO-12

PWM_n_SET n=0-3

PWM_n_Setup n=0-3

7	6	5	4	3	2	1	0
Brightness				Timing			
R/W	R/W	R/W	R/W	R/W	R/W	R/W	R/W
0	0	0	0	0	0	0	0

Address: 0x50, 0x54, 0x58, 0x5C

Type: RW

Buffer:

Reset: 0x00

Description: PWM blinking control

[7:4] **BRIGHTNESS:**

Duty cycle of PWM output during period 0

[3:0] **TIMING:**

In PWM mode: time unit of each ON or OFF period

In WDT mode: Wait time

In one-short mode: pulse width

0000 = 5 mS

0001 = 10 mS

0010 = 20 mS

0011 = 40 mS

0100 = 80 mS

0101 = 160 mS

0110 = 320 mS

0111 = 640 mS

1000 = 1280 mS

1001 = 2560 mS

1010 = 5120 mS

1011 = 10 S

1100 = 20 S

1101 = 40 S

1110 = 80 S

1111 = 160 S

PWM_n_CTRL_n=0-3 PWMn control register n=0-3

7	6	5	4	3	2	1	0	
Period 0		Period 1		Repetition		INT_EN	Inverse	Period 0
RW	RW	RW	RW	RW	RW	RW	RW	
0	0	0	0	0	0	0	0	

Address: 0x51, 0x55, 0x59, 0x5D
Type: R/W
Buffer:
Reset: 0x00
Description: PWM blinking control register

- [7:6] **Period 0:**
1-4 time units of period 0
- [5:4] **Period 1:**
0-3 time units of period 1
- [3:2] **Repetition:**
Number of repetition
0 for Infinite repetition
- [1] **INT_EN:**
"0" to disable interrupt generation on completion of sequence
"1" to enable interrupt generation on completion of sequence
- [0] **FRAME:**
'0' will output period 0 first
'1' will output period 1 first

11.1 Interrupt on basic PWM controller

A basic PWM controller can be programmed to generate interrupts at the completion of a blinking sequence. However, there are some limitations:

- a) Each basic PWM controller has its own bit in the interrupt enable/status registers.
- b) If enabled, completion in any of the PWM controller triggers interrupts. No interrupt will be generated if infinite repetition is set.
- c) In WDT mode, an interrupt is generated when timeout occurs
- d) In One-shot mode
If Auto-reload, interrupt is generated every time a valid trigger is detected
If Non-auto-reload, an interrupt is generated just once

11.2 Trigger feature

The basic PWM controller can be programmed to be controlled by an external “trigger” signal. This feature can be used to implement:

- One shot trigger circuit
- Watchdog timer

A 120 μ S pulse is generated at PWM output when the programmed timer has elapsed without getting any trigger for the trigger source.

12 Keypad controller

The keypad controller consists of:

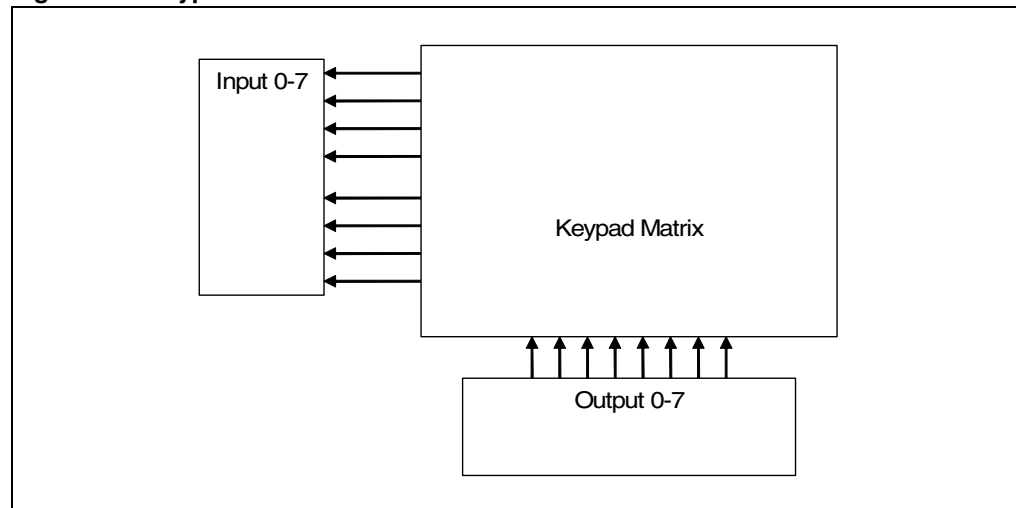
- 4 dedicated key controllers that support up to 4 simultaneous dedicated key presses;
- a keyscan controller and two normal key controllers that support a maximum of 8 x 8 key matrix with detection of three simultaneous key presses;
- 8 special function key controllers that support up to 8 simultaneous “special function” key presses.

Four of the column inputs can be configured as dedicated keys through the setting of Dkey0~3 bits of the KPC_CTRL register.

The normal key matrix size can be configured through the setting of KPC_ROW and KPC_COL registers. The scanning of each individual row output and column input can be enabled or masked to support a key matrix of variable size from 1 x 1 to 8 x 8. It is allowed to have other 8 special function keys incorporated in the key matrix.

The operation of the keypad controller is enabled by the SCAN bit of KPC_CTRL register. Every key activity detected will be de-bounced for a period set by the DB_0~7 bits of KPC_CTRL register before a key press or key release is confirmed and updated into the output FIFO. The key data, indicating the key coordinates and its status (up or down), is loaded into the FIFO at the end of a specified number of scanning cycles (set by SCAN_COUNT0~3 bits of KPC_ROW_MSB register). An interrupt will be generated when a new set of key data is loaded. The FIFO has a capacity for ten sets of key data. Each set of key data consists of 5 bytes of information when any of the four dedicated keys is enabled. It is reduced to 4 bytes when no dedicated key is involved. When the FIFO is full before its content is read, an overflow signal will be generated while the FIFO will continue to hold its content but forbid loading of new key data set.

Figure 8. Keypad controller



The keypad column inputs enabled by the KPC_col register are normally 'high', with the corresponding input pins pulled up by resistors internally. After reset, all the keypad row outputs enabled by the KPC_row register are driven 'low'. If a key is pressed, its

corresponding column input will become 'low' after making contact with the 'low' voltage on its corresponding row output.

Once the keyscan controller senses a 'low' input on any of the column inputs, the scanning cycles will then start to determine the exact key that has been pressed. The twelve row outputs will be driven 'low' one by one during each scanning cycle. While one row is driven 'low', all other rows are in tri-state and pulled up. If there is any column input sensed as 'low' when a row is driven 'low', the key scan controller will then decode the key coordinates (its corresponding row number and column number), save the key data into a de-bounce buffer if available, confirm if it is a valid key press after de-bouncing, and update the key data into output data FIFO if valid.

12.1 Keypad configurations

The keypad controller supports the following types of keys:

- Up to 8 input * 8 output matrix keys
- Up to 8 special function keys
- Up to 4 dedicated keys

Figure 9. Maximum configuration

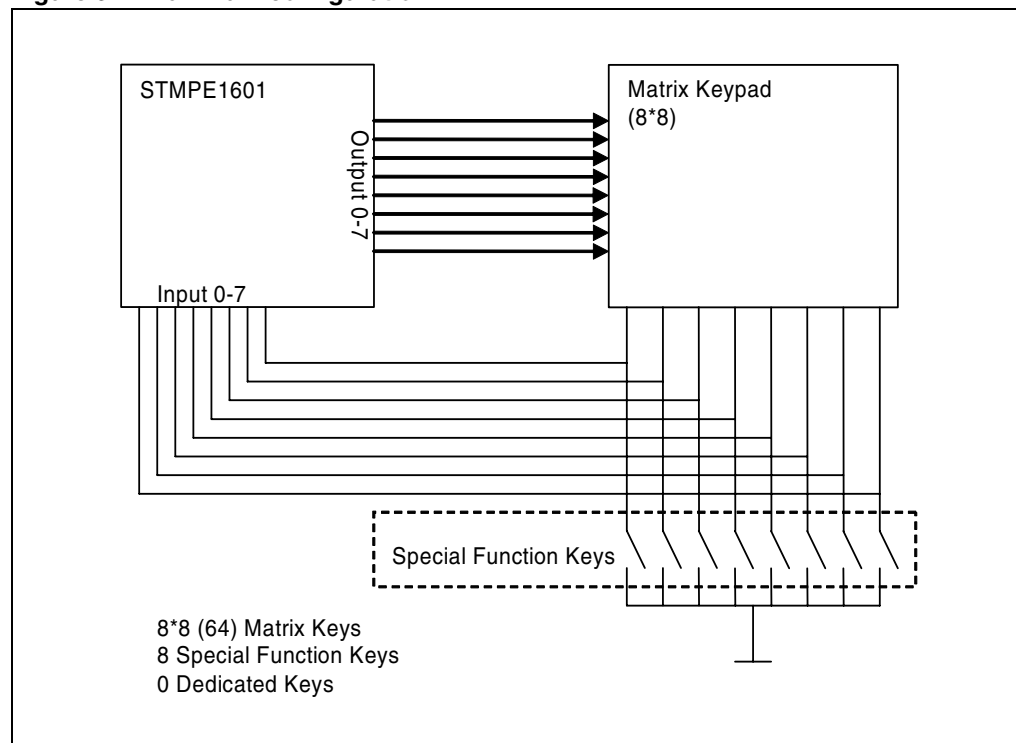
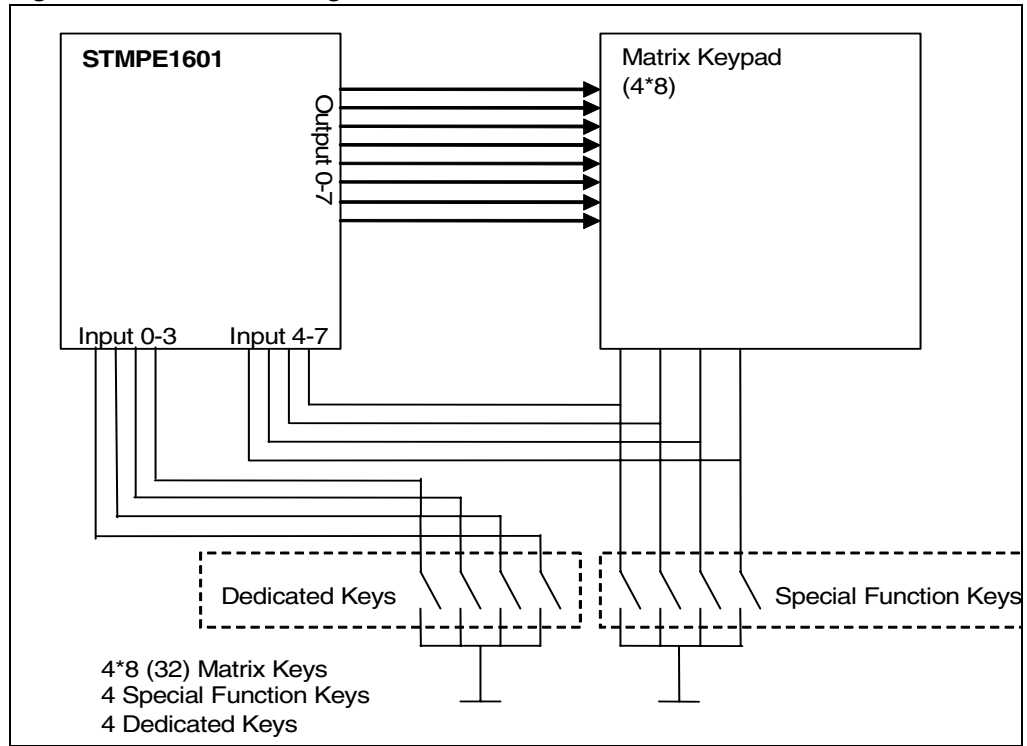


Figure 10. Maximum configuration



12.2 Registers in keypad controller

Table 22. Registers in keypad controller

Address	Register name	Description	Auto-increment (during sequential R/W)
0x60	KPC_COL	Keypad column scanning register	Yes
0x61	KPC_ROW_MSB	Keypad row scanning register	Yes
0x62	KPC_ROW_LSB		Yes
0x63	KPC_CTRL_MSB	Keypad control register	Yes
0x64	KPC_CTRL_LSB		Yes
0x65	KPC_COMBI_KEY_0	Keypad combination key mask 0	Yes
0x66	KPC_COMBI_KEY_1	Keypad combination key mask 1	Yes
0x67	KPC_COMBI_KEY_2	Keypad combination key mask 2	Yes
0x68	KPC_DATA_BYTE0	Keypad data register	Yes
0x69	KPC_DATA_BYTE1		Yes
0x6A	KPC_DATA_BYTE2		Yes
0x6B	KPC_DATA_BYTE3		Yes
0x6C	KPC_DATA_BYTE4		Yes

KPC_COL Keypad column register

7	6	5	4	3	2	1	0
Input Column 0 ~ 7							
RW	RW	RW	RW	RW	RW	RW	RW
0	0	0	0	0	0	0	0

Address: 0x60
Type: R/W
Buffer:
Reset: 0x00
Description: Keypad column scanning

- [7] **INPUT COLUMN:**
 1: turn on scanning of column 7
 0: turn off
- [6] **INPUT COLUMN:**
 1: turn on scanning of column 6
 0: turn off
- [5] **INPUT COLUMN:**
 1: turn on scanning of column 5
 0: turn off
- [4] **INPUT COLUMN:**
 1: turn on scanning of column 4
 0: turn off
- [3] **INPUT COLUMN:**
 1: turn on scanning of column 3
 0: turn off
- [2] **INPUT COLUMN:**
 1: turn on scanning of column 2
 0: turn off
- [1] **INPUT COLUMN:**
 1: turn on scanning of column 1
 0: turn off
- [0] **INPUT COLUMN:**
 1: turn on scanning of column 0
 0: turn off

KPC_ROW_MSB**Keypad row MSB**

7	6	5	4	3	2	1	0
SCAN_PW1	SCAN_PW0	HIB_WK	-	RESERVED			
R/W	R/W	R/W	R	R	R	R	R
1	1	0	0	0	0	0	0

Address: 0x61**Type:** R/W, R**Buffer:****Reset:****Description:** Keypad row scanning register**[7:6] SCAN_PW[1:0]:**

Row output scanning pulse width setting:

00: 1x period of internal clock

01: 16x period of internal clock

10: 64x period of internal clock

11: 128x period of internal clock (default)

(This setting is only applicable during normal operation mode. The scanning pulse width is 1x period of 32 kHz clock during sleep mode.)

[5] HIB_WK:

1: to enable the keypad wake-up from hibernate mode

0: to disable

[4] -**[3:0] RESERVED:**

KPC_ROW_lsb **Keypad controller row (LSB)**

7	6	5	4	3	2	1	0
OUTPUT ROW 0 ~ 7							
R/W	R/W	R/W	R/W	R/W	R/W	R/W	R/W
0	0	0	0	0	0	0	0

Address: 0x62**Type:****Buffer:****Reset:** 0x00**Description:** Keypad row scanning register.

- [7:0] **OUTPUT ROW 0 ~ 7:**
 '1' to turn on scanning of the corresponding row;
 '0' to turn off

KPC_CTRL_msb **Keypad controller control (MSB)**

7	6	5	4	3	2	1	0
SCAN_COUNT_0 ~ 3				DKEYy_0 ~ 3			
RW	RW	RW	RW	RW	RW	RW	RW
0	0	0	0	0	0	0	0

Address: 0x63**Type:** R/W**Buffer:****Reset:** 0x00**Description:** Keypad control register.

- [7:4] **SCAN_COUNT_0~ 3:**
 Number of key scanning cycles elapsed before a confirmed key data is updated into output data FIFO (0 ~ 15 cycles)
- [3] **DKEY_3:**
 Set '1' to use input column 3 as dedicated key
- [2] **DKEY_2:**
 Set '1' to use input column 2 as dedicated key
- [1] **DKEY_1:**
 Set '1' to use input column 1 as dedicated key
- [0] **DKEY_0:**
 Set '1' to use input column 0 as dedicated key

KPC_CTRL_Isb

Keypad controller control (LSB)

7	6	5	4	3	2	1	0
DB_0 ~ 5							SCAN
R/W	R/W	R/W	R/W	R/W	R/W	R/W	R/W
0	0	0	0	0	0	0	0

Address: 0x64

Type: R/W

Buffer:

Reset: 0x00

Description: Keypad control register.

[7:1] **DB_6:1:**
0-128 ms of de-bounce time

[0] **SCAN:**
1: to start scanning
0: to stop

13 Data registers

The KPC_DATA register contains three bytes of information. The first two bytes store the key coordinates and status of any two keys from the normal key matrix, while the third byte store the status of dedicated keys.

KPC_DATA_BYTE0 Keypad data byte 0

7	6	5	4	3	2	1	0
UP/DOWN	R3	R2	R1	R0	C2	C1	C0
R	R	R	R	R	R	R	R
1	1	1	1	1	0	0	0

Address: 0x68
Type: R
Buffer:
Reset: 0xF8
Description: Keypad data register.

- [7] **UP/DOWN:**
 0: key-down
 1: key-up
- [6:3] **R[3:0]**
 Row number of key 1 (valid range: 0-7)
 0x1111: No Key
- [2:0] **C[2:0]:**
 Column number of key 1 (valid range: 0-7)

KPC_DATA_BYTE1**Keypad data byte 1**

7	6	5	4	3	2	1	0
Up/Down	R3	R2	R1	R0	C2	C1	C0
R	R	R	R	R	R	R	R
1	1	1	1	1	0	0	0

Address: 0x69**Type:** R**Buffer:****Reset:** 0xF8**Description:** Keypad data register.**[7] UP/DOWN:**

0: key-down

1: key-up

[6:3] R[3:0]

Row number of key 2 (valid range: 0-7)

0x1111: No key

[2:0] C[2:0]:

Column number of key 1 (valid range: 0-7)

KPC_DATA_BYTE2**Keypad data byte 2**

7	6	5	4	3	2	1	0
UP/DOWN	R3	R2	R1	R0	C2	C1	C0
R	R	R	R	R	R	R	R
1	1	1	1	1	0	0	0

Address: 0x6A**Type:** R**Buffer:****Reset:** 0xF8**Description:** Keypad data register.**[7] UP/DOWN:**

0: key-down

1: key-up

[6:3] R[3:0]

Row number of key 3 (valid range: 0 - 7)

0x1111: No key

[2:0] C[2:0]:

column number of key 3 (valid range: 0 -7)

KPC_DATA_BYTE3**Keypad data byte 3**

7	6	5	4	3	2	1	0
SF7	SF6	SF5	SF4	SF3	SF2	SF1	SF0
R	R	R	R	R	R	R	R
1	1	1	1	1	1	1	1

Address: 0x6B**Type:** R**Buffer:****Reset:** 0xFF**Description:** Keypad data register.

[7:0] **SF[7:0]:**
 0: key-down
 1: key-up

KPC_DATA_BYTE4**Keypad data byte 4**

7	6	5	4	3	2	1	0
RESERVED				Dedicated Key 0 - 3			
R	R	R	R	R	R	R	R
0	0	0	0	1	1	1	1

Address: 0x6C**Type:** R**Buffer:****Reset:****Description:** Keypad data register.

[7:4] RESERVED:
 [3:0] **Dedicated key [3:0]:**
 0: key-down
 1 key-up

14 Keypad combination key registers

The 3 KPC mask registers contains the key combination to be used to wake up the KPC and send an interrupt to the host system.

KPC_COMB_KEY_0-2 Keypad combination 0-2

7	6	5	4	3	2	1	0
ACTIVE	ACTIVE	R2	R1	R0	C2	C1	C0
R/W	R/W	R/W	R/W	R/W	R/W	R/W	R/W
1	1	1	1	1	0	0	0

Address: 0x65, 0x66, 0x67

Type: R/W

Buffer:

Reset: 0xF8

Description: Keypad combination key mask registers.

[7:6] **ACTIVE:**

00: key defined by bits 5:0 to be used for combination key wakeup

But [7:0] must be "F8" for No key from this register to be used for combination key wakeup

[5:3] **R[2:0]:**

Row number of key 1 (valid range: 0 -7)

[2:0] **C[2:0]:**

Column number of key 1 (valid range : 0-7)

Resistance

The maximum resistance between keypad outputs and inputs, inclusive of switch resistance, protection circuit resistance and connection, must be less than 3.2 K Ω

Using the keypad controller

It is not necessary to explicitly enable the internal pull-up and direction by configuring the GPIO control registers. Once a GPIO is enabled for the keypad function, its internal pull-up and direction is controlled automatically.

The scanning of column inputs should then be enabled for those GPIO ports that are configured as keypad inputs by writing '1's to the corresponding bits in the KPC_COL register. If any of the first three column inputs is to be used as dedicated key input, the corresponding bits in the KPC_CTRL_MSB register should be set to '1'. The bits in the KPC_ROW_MSB and KPC_ROW_LSB registers should also be set correctly to enable the row output scanning for the corresponding GPIO ports programmed as keypad outputs.

The scan count and de-bounce count should also be programmed into the keypad control registers before enabling the keypad controller operation. To enable the keypad controller operation, the EN_KPC bit in the system control register must be set to '1' to provide the required clock signals. The keypad controller will then start its operation by setting the SCAN bit in the KPC_CTRL_LSB register to '1'.

The keypad controller operation can be disabled by setting the SCAN bit back to '0'. To further reduce the power consumption, the clock signals can be cut off from the keypad controller by setting the EN_KPC bit to '0'.

As long as there is any un-read key-press in the keypad controller buffer, the KPC interrupt will always be asserted.

Ghost key handling

The ghost key is an inherent in keypad matrix that is not equipped with a diode at each of the keys. While it is not possible to avoid ghost key occurrence, the STMPE1601 allows the detection of possible ghost keys by the capability of detecting 3 simultaneous key-presses in the key matrix.

The ghost key is only possible if 3 keys are pressed and held down together in a keypad matrix. If 3 keys are reported by the STMPE1601 keypad controller, it indicates a potential ghost key situation. The system may check for the possibility of a ghost key by analyzing the coordinates of the 3 keys. If the 3 keys form 3 corners of a rectangle, it could be a ghost key situation.

A ghost key may also occur in the "special function keys". The keypad controller does not attempt to avoid the occurrence of ghost keys. However, the system should be aware that if more than one special function key is reported, then there is a possibility of ghost keys.

Key detection priority

A dedicated key is always detected, if this is enabled. When a special function key is detected, the matrix key scanning on the same input line is disabled.

Up to 3 matrix keys can be detected. Matrix keys that fall on activated special function keys will not be counted.

As a result of these priority rules, a matrix key is ignored by the keypad controller when the special function key on the same input line is detected, even if the matrix key is being

pressed down before the special function key. Hence, when a matrix is reported "key-down" and it is being held down while the corresponding special function is being pressed, a "no-key" status will be reported for the matrix key when the special function key is reported "key-down". If the matrix key is released while the special function key is still being held down, no "key-up" will be reported for the matrix key. On the other hand, if the matrix key is released after the special function key is reported "key-up", then a new "key-down" will be reported for the matrix key, followed by "key-up".

Keypad wakeup from sleep and hibernate modes

The keypad controller is functional in sleep mode as long as it is enabled before entering the sleep mode. It will then wake the system up into operational mode if a valid key press is detected.

In the case of hibernate mode, the 'HIB_WK' bit in 'KPC_ROW_msb' register must be set to '1' in order to enable the system wakeup by means of a valid key press. When this is enabled, an asynchronous detection of the keypad column input activity is turned on during the hibernate mode. If any key activity is detected, the system is expected to enter the sleep mode temporarily to allow a debouncing of key press to take place. If a valid key is detected, the system will then wake up into operational mode; otherwise, the device will go back into hibernate mode.

Keypad controller combination-Key interrupt

The keypad controller (KPC) can be programmed to wake up from sleep mode if a unique combination keys is detected. This combination keys of up to 3 keys is specified in the KPC combination set 0-2 registers. Note that the sequence of the key press is not relevant, as long as the 1-3 keys specified in the KPC_CombiKey are detected, the KPC will wake up and interrupt the host.

If any other keys (beside those specified in the KPC_CombiKey registers) are pressed, it would be considered invalid combination and interrupt will NOT be generated.

All the "active" keys must be pressed and held together, for the combi-key interrupt to be generated.

15 Miscellaneous features

15.1 Reset

The STMPE1601 is equipped with an internal POR circuit that holds the device in reset state, until the clock is steady and V_{CC} input is valid. The host system may choose to reset the STMPE1601 by asserting the RESET_N pin.

15.2 Under voltage lockout

The STMPE1601 is equipped with an internal UVLO (under voltage lockout) circuit that generates a RESET signal, when the main supply voltage falls below the allowed threshold.

16 Package mechanical data

In order to meet environmental requirements, ST offers these devices in ECOPACK® packages. These packages have a Lead-free second level interconnect . The category of second level interconnect is marked on the package and on the inner box label, in compliance with JEDEC Standard JESD97. The maximum ratings related to soldering conditions are also marked on the inner box label. ECOPACK is an ST trademark. ECOPACK specifications are available at: www.st.com

Figure 11. TFBGA25 package outline

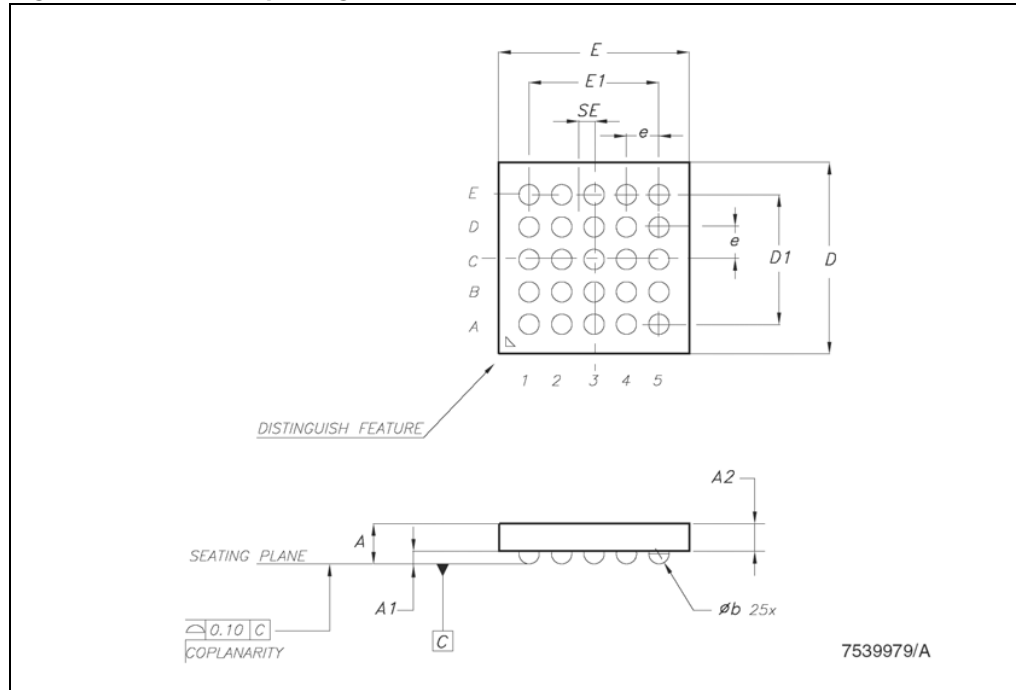


Table 23. TFBGA25 mechanical data

Dim.	mm.			inch		
	Min	Typ	Max	Min	Typ	Max
A	1.0	1.1	1.16	39.4	43.3	45.7
A1			0.25			9.8
A2	0.78		0.86	30.7		33.9
b	0.25	0.30	0.35	9.8	11.8	13.8
D	2.9	3.0	3.1	114.2	118.1	122.0
D1		2			78.8	
E	2.9	3.0	3.1	114.2	118.1	122.0
E1		2			78.8	
e		0.5			19.7	
SE		0.25			9.8	

Figure 12. Tape and reel dimension

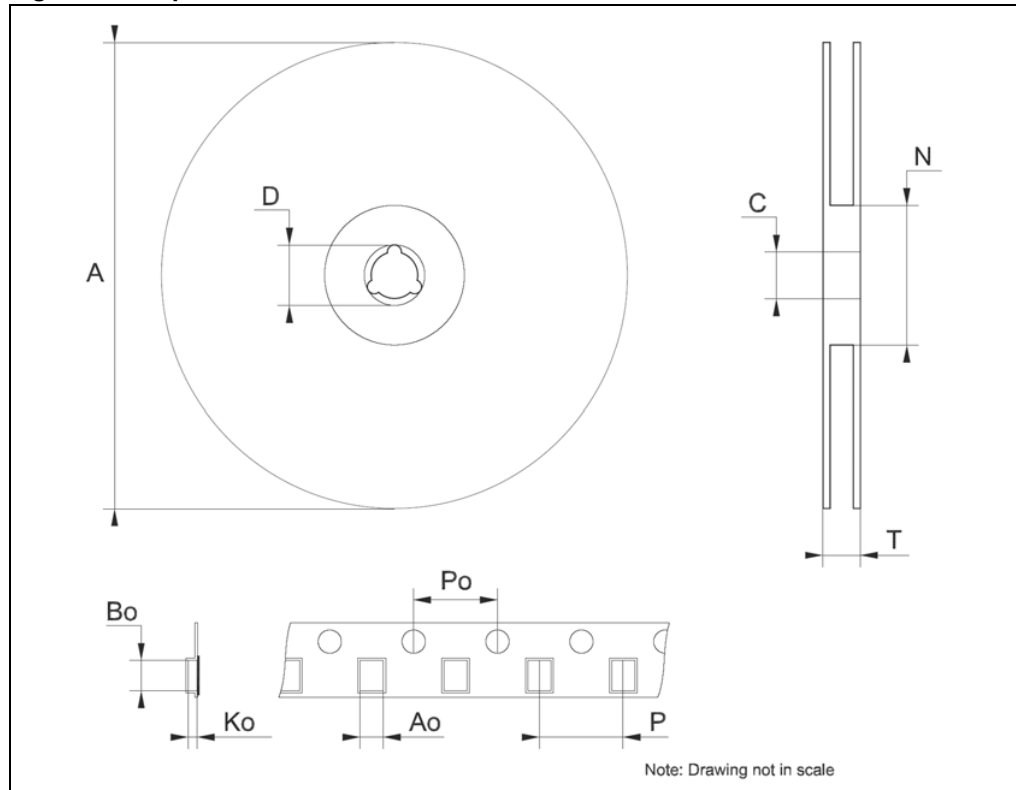


Table 24. TFBGA25 tape and reel mechanical data

Symbol	millimeters			inches		
	Min	Typ	Max	Min	Typ	Max
A			330			12.992
C	12.8		13.2	0.504		0.519
D	20.2			0.795		
N	60			2.362		
T			14.4			0.567
Ao		3.3			0.130	
Bo		3.3			0.130	
Ko		1.60			0.063	
Po	3.9		4.1	0.153		0.161
P	7.9		8.1	0.311		0.319

17 Revision history

Table 25. Document revision history

Date	Revision	Changes
10-Jan-2008	1	Initial release.

Please Read Carefully:

Information in this document is provided solely in connection with ST products. STMicroelectronics NV and its subsidiaries ("ST") reserve the right to make changes, corrections, modifications or improvements, to this document, and the products and services described herein at any time, without notice.

All ST products are sold pursuant to ST's terms and conditions of sale.

Purchasers are solely responsible for the choice, selection and use of the ST products and services described herein, and ST assumes no liability whatsoever relating to the choice, selection or use of the ST products and services described herein.

No license, express or implied, by estoppel or otherwise, to any intellectual property rights is granted under this document. If any part of this document refers to any third party products or services it shall not be deemed a license grant by ST for the use of such third party products or services, or any intellectual property contained therein or considered as a warranty covering the use in any manner whatsoever of such third party products or services or any intellectual property contained therein.

UNLESS OTHERWISE SET FORTH IN ST'S TERMS AND CONDITIONS OF SALE ST DISCLAIMS ANY EXPRESS OR IMPLIED WARRANTY WITH RESPECT TO THE USE AND/OR SALE OF ST PRODUCTS INCLUDING WITHOUT LIMITATION IMPLIED WARRANTIES OF MERCHANTABILITY, FITNESS FOR A PARTICULAR PURPOSE (AND THEIR EQUIVALENTS UNDER THE LAWS OF ANY JURISDICTION), OR INFRINGEMENT OF ANY PATENT, COPYRIGHT OR OTHER INTELLECTUAL PROPERTY RIGHT.

UNLESS EXPRESSLY APPROVED IN WRITING BY AN AUTHORIZED ST REPRESENTATIVE, ST PRODUCTS ARE NOT RECOMMENDED, AUTHORIZED OR WARRANTED FOR USE IN MILITARY, AIR CRAFT, SPACE, LIFE SAVING, OR LIFE SUSTAINING APPLICATIONS, NOR IN PRODUCTS OR SYSTEMS WHERE FAILURE OR MALFUNCTION MAY RESULT IN PERSONAL INJURY, DEATH, OR SEVERE PROPERTY OR ENVIRONMENTAL DAMAGE. ST PRODUCTS WHICH ARE NOT SPECIFIED AS "AUTOMOTIVE GRADE" MAY ONLY BE USED IN AUTOMOTIVE APPLICATIONS AT USER'S OWN RISK.

Resale of ST products with provisions different from the statements and/or technical features set forth in this document shall immediately void any warranty granted by ST for the ST product or service described herein and shall not create or extend in any manner whatsoever, any liability of ST.

ST and the ST logo are trademarks or registered trademarks of ST in various countries.

Information in this document supersedes and replaces all information previously supplied.

The ST logo is a registered trademark of STMicroelectronics. All other names are the property of their respective owners.

© 2008 STMicroelectronics - All rights reserved

STMicroelectronics group of companies

Australia - Belgium - Brazil - Canada - China - Czech Republic - Finland - France - Germany - Hong Kong - India - Israel - Italy - Japan - Malaysia - Malta - Morocco - Singapore - Spain - Sweden - Switzerland - United Kingdom - United States of America

www.st.com