

Low-Power, 1%-Accurate Battery Monitors in μ DFN and SC70 Packages

General Description

The MAX6775–MAX6781 low-power, 1%-accurate battery monitors are available in the ultra-small μ DFN package (1.0mm x 1.5mm) and SC70 packages. These low-power devices are ideal for monitoring single lithium-ion (Li+) cells, or multicell alkaline/NiCd/NiMH power sources. These devices offer single (MAX6775/MAX6776/MAX6777/MAX6778) or dual (MAX6779/MAX6780/MAX6781) low-battery outputs and feature fixed or resistor-adjustable hysteresis. Hysteresis eliminates the output chatter sometimes associated with battery voltage monitors, usually due to input-voltage noise or battery terminal voltage recovery after load removal.

These devices are available in several versions: with single- or dual-voltage monitors, and with fixed or adjustable hysteresis. The MAX6775/MAX6776 offer a single battery monitor and factory-set hysteresis of 0.5%, 5%, or 10%. The MAX6779/MAX6780/MAX6781 have two battery monitors in a single package and factory-set hysteresis of 0.5%, 5%, or 10%. The MAX6777/MAX6778 offer a single battery monitor with external inputs for the rising and falling thresholds, allowing external hysteresis control.

For convenient interface with system power circuitry or microprocessors, both open-drain and push-pull outputs are available. The single-channel devices are available with open-drain or push-pull outputs. The dual-channel devices are available with both outputs open-drain, both outputs push-pull, or one of each (see the *Selector Guide*). This family of devices is offered in small 5-pin SC70 and ultra-small 6-pin μ DFN packages, and is fully specified over the -40°C to +85°C extended temperature range.

Applications

Battery-Powered Systems (Single-Cell Li+ or Multicell NiMH, NiCd, Alkaline)
 Cell Phones/Cordless Phones
 Pagers
 Portable Medical Devices
 PDAs
 Electronic Toys
 MP3 Players

Pin Configurations appear at end of data sheet.

Features

- ◆ 1.0%-Accurate Threshold Specified Over Temperature
- ◆ Single/Dual, Low-Battery Output Options
- ◆ Low 3 μ A Battery Current
- ◆ Open-Drain or Push-Pull Low-Battery Outputs
- ◆ Fixed or Adjustable Hysteresis
- ◆ Low-Input Leakage Current Allows Use of Large Resistors
- ◆ Guaranteed Valid Low-Battery-Output Logic State Down to $V_{BATT} = 1V$
- ◆ Immune to Short Battery Transients
- ◆ Fully Specified from -40°C to +85°C
- ◆ Small 5-Pin SC70 or Ultra-Small 6-Pin μ DFN (1mm x 1.5mm) Package

Ordering Information

| PART | TEMP RANGE | PIN-PACKAGE |
|--------------|----------------|-------------|
| MAX6775XK_+T | -40°C to +85°C | 5 SC70 |
| MAX6775LT_+T | -40°C to +85°C | 6 μ DFN |
| MAX6776XK_+T | -40°C to +85°C | 5 SC70 |
| MAX6776LT_+T | -40°C to +85°C | 6 μ DFN |
| MAX6777XK_+T | -40°C to +85°C | 5 SC70 |
| MAX6777LT_+T | -40°C to +85°C | 6 μ DFN |

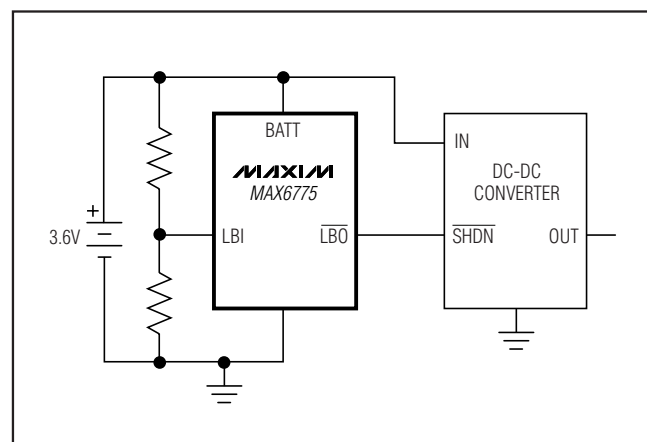
Ordering Information continued at end of data sheet.

+Denotes a lead(Pb)-free/RoHS-compliant package.

T = Tape and reel.

MAX6775/MAX6776/MAX6779/MAX6780/MAX6781 are available with factory-trimmed hysteresis. Specify trim by replacing “_” with “A” for 0.5%, “B” for 5%, or “C” for 10% hysteresis.

Typical Operating Circuit



Low-Power, 1%-Accurate Battery Monitors in μ DFN and SC70 Packages

ABSOLUTE MAXIMUM RATINGS

| | | |
|---|---|---|
| BATT to GND..... | -0.3V to +6V | Continuous Power Dissipation ($T_A = +70^\circ\text{C}$) |
| LBI, LBL, LBH, LBI1, LBI2 to GND | -0.3V to minimum of (($V_{BATT} + 0.3\text{V}$) and +6V) | 5-Pin SC70 (derate 3.1mW/ $^\circ\text{C}$ above +70 $^\circ\text{C}$)247mW |
| $\overline{\text{LBO}}$, $\overline{\text{LBO1}}$, $\overline{\text{LBO2}}$ to GND (open-drain) | -0.3V to +6V | 6-Pin μ DFN (derate 2.1mW/ $^\circ\text{C}$ above +70 $^\circ\text{C}$)168mW |
| LBO, LBO1, LBO2 to GND (push-pull)..... | -0.3V to minimum of (($V_{BATT} + 0.3\text{V}$) and +6V) | Junction Temperature+150 $^\circ\text{C}$ |
| Input Current (all pins) | .20mA | Storage Temperature Range-65 $^\circ\text{C}$ to +150 $^\circ\text{C}$ |
| Output Current (all pins) | .20mA | Lead Temperature (soldering, 10s)+300 $^\circ\text{C}$ |

Stresses beyond those listed under "Absolute Maximum Ratings" may cause permanent damage to the device. These are stress ratings only, and functional operation of the device at these or any other conditions beyond those indicated in the operational sections of the specifications is not implied. Exposure to absolute maximum rating conditions for extended periods may affect device reliability.

ELECTRICAL CHARACTERISTICS

($V_{BATT} = 1.6\text{V}$ to 5.5V , $T_A = -40^\circ\text{C}$ to $+85^\circ\text{C}$, unless otherwise specified. Typical values are at $T_A = +25^\circ\text{C}$.) (Note 1)

| PARAMETER | SYMBOL | CONDITIONS | MIN | TYP | MAX | UNITS |
|---|------------|--|--------|--------|--------|---------------|
| Operating Voltage Range (Note 2) | V_{BATT} | $T_A = 0^\circ\text{C}$ to $+70^\circ\text{C}$ | 1.0 | | 5.5 | V |
| | | $T_A = -40^\circ\text{C}$ to $+85^\circ\text{C}$ | 1.2 | | 5.5 | |
| Supply Current | I_Q | $V_{BATT} = 3.7\text{V}$, no load | | 4 | 7 | μA |
| | | $V_{BATT} = 1.8\text{V}$, no load | | 3.2 | 6 | |
| FIXED HYSTERESIS (MAX6775/MAX6776/MAX6779/MAX6780/MAX6781) | | | | | | |
| LBI, LBI_ Falling Threshold (Note 3) | V_{LBIF} | 0.5% hysteresis version | 1.2037 | 1.2159 | 1.2280 | V |
| | | 5% hysteresis version | 1.1493 | 1.1609 | 1.1725 | |
| | | 10% hysteresis version | 1.0888 | 1.0998 | 1.1108 | |
| LBI Rising Threshold | V_{LBIR} | | 1.2098 | 1.222 | 1.2342 | V |
| LBI Input Leakage Current | | $0.2\text{V} \leq V_{LBI} \leq V_{BATT} - 0.2\text{V}$ | -5 | | +5 | nA |
| ADJUSTABLE HYSTERESIS (MAX6777/MAX6778) | | | | | | |
| LBL, LBH Threshold | | $V_{BATT} = 1.8\text{V}$ to 5.5V | 1.2098 | 1.222 | 1.2342 | V |
| LBL, LBH Input Leakage Current | | $V_{BATT} - 0.2\text{V} \geq V_{LBL/LBH} \geq 0.2\text{V}$ | -5 | | +5 | nA |

Low-Power, 1%-Accurate Battery Monitors in μ DFN and SC70 Packages

MAX6775-MAX6781

ELECTRICAL CHARACTERISTICS (continued)

($V_{BATT} = 1.6V$ to $5.5V$, $T_A = -40^\circ C$ to $+85^\circ C$, unless otherwise specified. Typical values are at $T_A = +25^\circ C$.) (Note 1)

| PARAMETER | SYMBOL | CONDITIONS | MIN | TYP | MAX | UNITS |
|--|----------|--|------|-----------------------|------|---------|
| LOW-BATTERY OUTPUTS (LBO, LBO1, LBO2) | | | | | | |
| Propagation Delay | t_{PD} | $V_{LBI_+} + 100mV$ to $V_{LBI_} - 100mV$ | | 9 | | μs |
| Startup Time | | V_{BATT} rising above $1.6V$ | | | 3 | ms |
| Output Low (Push-Pull or Open-Drain) | V_{OL} | $V_{BATT} \geq 1.2V$, $I_{SINK} = 100\mu A$ | | | 0.3 | V |
| | | $V_{BATT} \geq 2.7V$, $I_{SINK} = 1.2mA$ | | | 0.3 | |
| | | $V_{BATT} \geq 4.5V$, $I_{SINK} = 3.2mA$ | | | 0.3 | |
| Output High (Push-Pull) | V_{OH} | $V_{BATT} \geq 1.6V$, $I_{SOURCE} = 100\mu A$ | | $0.8 \times V_{BATT}$ | | V |
| | | $V_{BATT} \geq 2.7V$, $I_{SOURCE} = 500\mu A$ | | $0.8 \times V_{BATT}$ | | |
| | | $V_{BATT} \geq 4.5V$, $I_{SOURCE} = 800\mu A$ | | $0.8 \times V_{BATT}$ | | |
| Output Leakage Current (Open-Drain) | | Output not asserted, $V_{LBO_} = 5.5V$ | -100 | | +100 | nA |

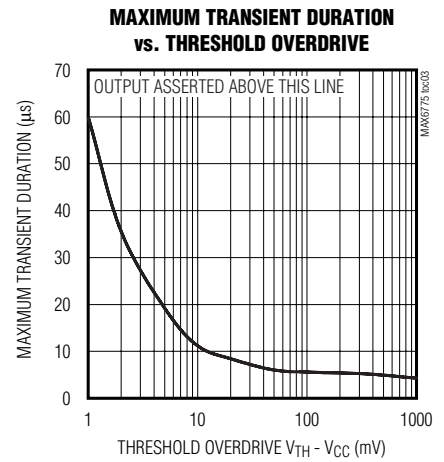
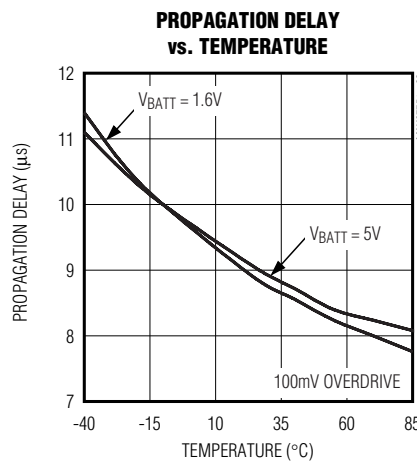
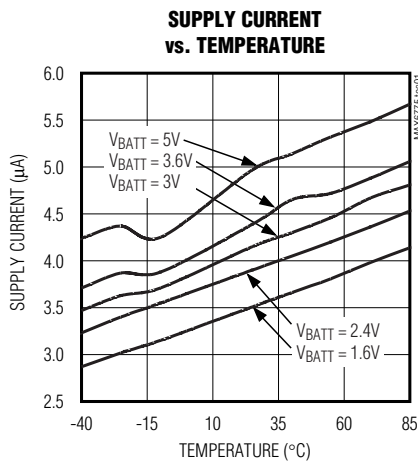
Note 1: Devices are tested at $T_A = +25^\circ C$ and guaranteed by design for $T_A = T_{MIN}$ to T_{MAX} , as specified.

Note 2: Operating range ensures low-battery output is in the correct state. Minimum battery voltage for electrical specification is $1.6V$.

Note 3: The rising threshold is guaranteed to be higher than the falling threshold.

Typical Operating Characteristics

($T_A = +25^\circ C$, unless otherwise noted.)

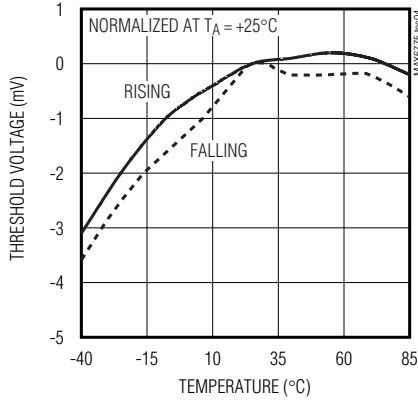


Low-Power, 1%-Accurate Battery Monitors in μ DFN and SC70 Packages

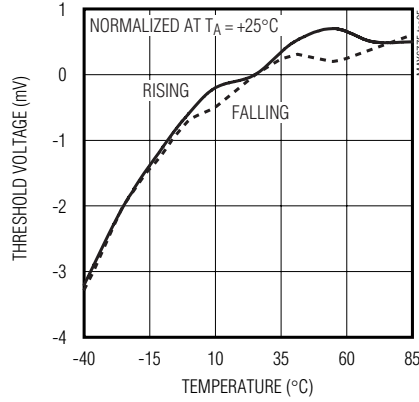
Typical Operating Characteristics (continued)

($T_A = +25^\circ\text{C}$, unless otherwise noted.)

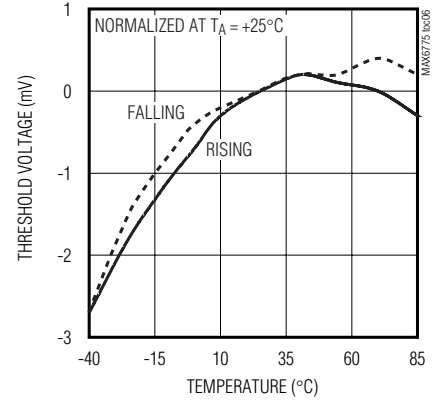
NORMALIZED THRESHOLD VOLTAGES vs. TEMPERATURE, MAX67_A



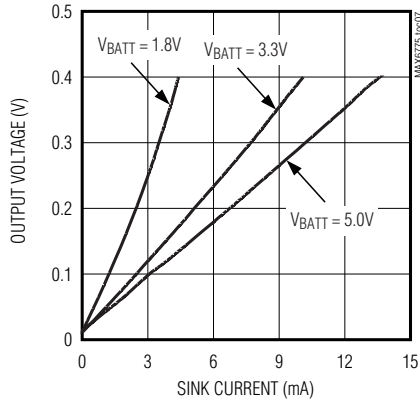
NORMALIZED THRESHOLD VOLTAGES vs. TEMPERATURE, MAX67_B



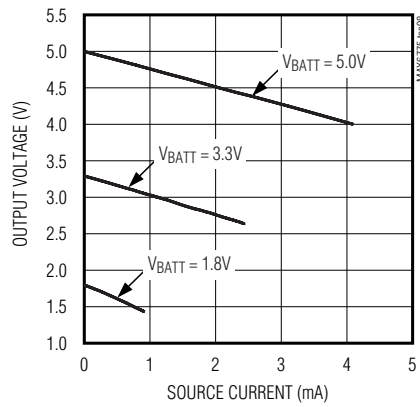
NORMALIZED THRESHOLD VOLTAGES vs. TEMPERATURE, MAX67_C



LBO OUTPUT VOLTAGE vs. SINK CURRENT



LBO OUTPUT VOLTAGE vs. SOURCE CURRENT



Low-Power, 1%-Accurate Battery Monitors in μ DFN and SC70 Packages

Pin Description

| MAX6775/ MAX6776 | | MAX6777/ MAX6778 | | MAX6779/ MAX6780/ MAX6781 | NAME | FUNCTION |
|---------------------|------|---------------------|------|---------------------------------|--------------------------|---|
| μ DFN | SC70 | μ DFN | SC70 | μ DFN | | |
| 1 | 1 | — | — | — | GND2 | Reserved. Must be connected to GND. Do not use as the only GND connection. |
| 2 | 2 | 2 | 2 | 2 | GND | Ground |
| 3 | 3 | — | — | — | LBI | Low-Battery Input. Connect to the resistive divider to set the trip level. |
| 4 | 4 | 4 | 4 | — | $\overline{\text{LBO}}$ | Low-Battery Output, Active-Low. When $V_{\text{LBI}}/V_{\text{LBL}}$ falls below the falling threshold, $\overline{\text{LBO}}$ asserts. $\overline{\text{LBO}}$ deasserts when $V_{\text{LBI}}/V_{\text{LBH}}$ exceeds the rising threshold voltage. |
| 5 | — | 5 | — | — | N.C. | No Connection. Not internally connected. |
| 6 | 5 | 6 | 5 | 6 | BATT | Battery Input. Power supply to the device. |
| — | — | 1 | 1 | — | LBH | Rising-Trip-Level Input. Connect to a resistive divider to set the rising trip level. |
| — | — | 3 | 3 | — | LBL | Falling-Trip-Level Input. Connect to a resistive divider to set the falling trip level. |
| — | — | — | — | 1 | LBI2 | Low-Battery Input 2. Connect to a resistive divider to set the trip level. |
| — | — | — | — | 3 | LBI1 | Low-Battery Input 1. Connect to a resistive divider to set the trip level. |
| — | — | — | — | 4 | $\overline{\text{LBO1}}$ | Low-Battery Output 1, Active-Low. When V_{LBI1} falls below the falling threshold voltage, $\overline{\text{LBO1}}$ asserts. $\overline{\text{LBO1}}$ deasserts when V_{LBI1} exceeds the rising threshold voltage. $\overline{\text{LBO1}}$ is push-pull on the MAX6779/MAX6781 and open-drain for the MAX6780. |
| — | — | — | — | 5 | $\overline{\text{LBO2}}$ | Low-Battery Output 2, Active-Low. When V_{LBI2} falls below the falling threshold voltage, $\overline{\text{LBO2}}$ asserts. $\overline{\text{LBO2}}$ deasserts when V_{LBI2} exceeds the rising threshold voltage. $\overline{\text{LBO2}}$ is open-drain for the MAX6780/MAX6781 and push-pull for the MAX6779. |

MAX6775-MAX6781

Low-Power, 1%-Accurate Battery Monitors in μ DFN and SC70 Packages

Detailed Description

These battery monitors have an active-low output that asserts when the input falls below a set voltage. They also offer hysteresis for noise immunity, and to remove the possibility of output chatter due to battery terminal voltage recovery after load removal. They are available with one or two monitors per package, with push-pull or open-drain outputs, and with internally set or externally adjustable hysteresis (dual-channel devices offer only internally fixed hysteresis). Figures 1, 2, and 3 show block diagrams and typical connections. See the *Selector Guide* for details.

Low-Battery Output

All devices are offered with either push-pull or open-drain outputs (see the *Selector Guide*). The MAX6781 has one push-pull output and one open-drain output, configured as in Table 1.

On all devices with open-drain outputs an external pullup resistor is required. The open-drain pullup resistor can connect to an external voltage up to +6V, regardless of the voltage at BATT.

Table 1. MAX6781 Outputs

| DEVICE | LBO1 | LBO2 |
|---------|-----------|------------|
| MAX6781 | Push-Pull | Open-Drain |

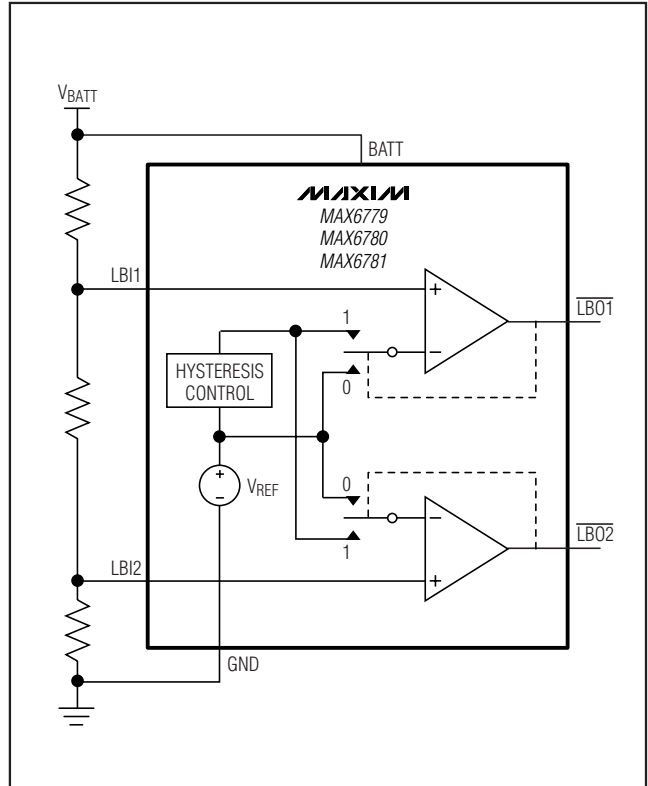


Figure 2. Dual-Channel Fixed-Hysteresis Block Diagram

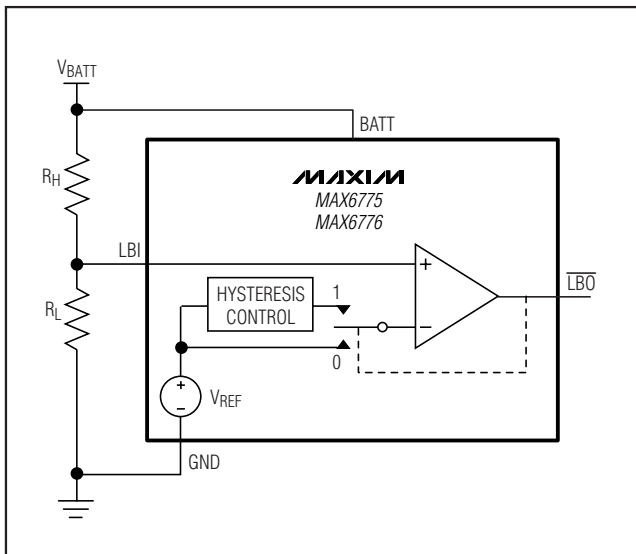


Figure 1. Single-Channel Fixed-Hysteresis Block Diagram

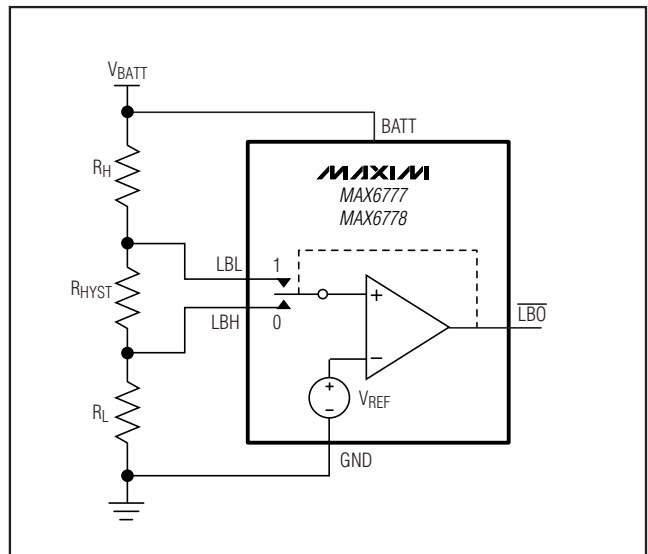


Figure 3. Single-Channel Adjustable-Hysteresis Block Diagram

Low-Power, 1%-Accurate Battery Monitors in μ DFN and SC70 Packages

MAX6775-MAX6781

The MAX6779, MAX6780, and MAX6781 monitor two battery levels or two independent voltages. A common application for this type of dual-battery monitor is to use one output as an early warning signal and the other as a dead-battery indicator.

Hysteresis

Input hysteresis defines two thresholds, separated by a small voltage (the hysteresis voltage), configured so the output asserts when the input falls below the falling threshold, and deasserts only when the input rises above the rising threshold. Figure 4 shows this graphically. Hysteresis removes, or greatly reduces, the possibility of the output changing state in response to noise or battery terminal voltage recovery after load removal.

Fixed Hysteresis

The MAX6775/MAX6776/MAX6779/MAX6780/MAX6781 have factory-set hysteresis for ease of use, and reduce component count. For these devices, the absolute hysteresis voltage is a percentage of the internally generated reference. The amount depends on the device option. "A" devices have 0.5% hysteresis, "B" devices have 5% hysteresis, and "C" devices have 10% hysteresis. Table 2 presents the threshold voltages for devices with internally fixed hysteresis.

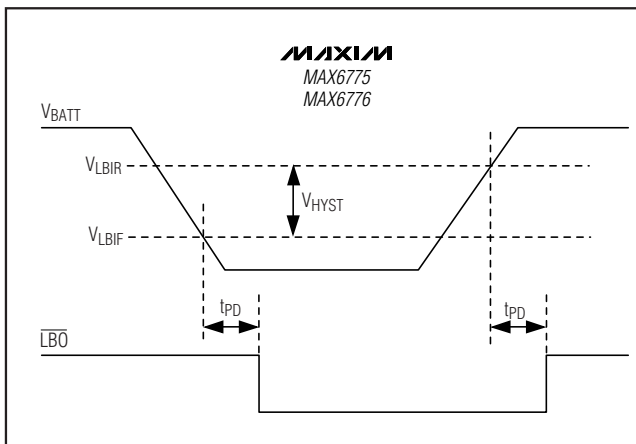


Figure 4. Hysteresis

Table 2. Typical Falling and Rising Thresholds for MAX6775/MAX6776/MAX6779/MAX6780/MAX6781

| DEVICE OPTION | PERCENT HYSTERESIS (%) | FALLING THRESHOLD (V _{LBIF}) (V) | RISING THRESHOLD (V _{LBIR}) (V) | HYSTERESIS VOLTAGE (V _{HYST}) (mV) |
|---------------|------------------------|--|---|--|
| A | 0.5 | 1.2159 | 1.222 | 6.11 |
| B | 5 | 1.1609 | 1.222 | 61.1 |
| C | 10 | 1.0998 | 1.222 | 122 |

Adjustable Hysteresis

The MAX6777/MAX6778 offer external hysteresis control through the resistive divider that monitors battery voltage. Figure 3 shows the connections for external hysteresis. See the *Calculating an External Hysteresis Resistive Divider* section for more information.

Applications Information

Resistor-Value Selection

Choosing the proper external resistors is a balance between accuracy and power use. The input to the voltage monitor, while high impedance, draws a small current, and that current travels through the resistive divider, introducing error. If extremely high resistor values are used, this current introduces significant error. With extremely low resistor values, the error becomes negligible, but the resistive divider draws more power from the battery than necessary and shortens battery life. Figure 1 calculates the optimum value for R_H using:

$$R_H = \frac{e_A \times V_{BATT}}{I_L}$$

where e_A is the maximum acceptable absolute resistive divider error (use 0.01 for 1%), V_{BATT} is the battery voltage at which LBO should activate, and I_L is the worst-case LBI leakage current. For example, with 0.5% accuracy, a 2.8V battery minimum, and 5nA leakage, R_H = 2.80M Ω .

Calculate R_L using:

$$R_L = -\frac{V_{LBIF} \times R_H}{V_{LBIF} - V_{BATT}}$$

where V_{LBIF} is the falling threshold voltage from Table 2. Continuing the above example, select V_{LBIF} = 1.0998V (10% hysteresis device) and R_L = 1.81M Ω .

Low-Power, 1%-Accurate Battery Monitors in μ DFN and SC70 Packages

Calculating an External Hysteresis Resistive Divider

Setting the hysteresis externally requires three external resistors, as shown in Figure 3. Select R_H using the following formula:

$$R_H \leq \frac{e_A \times V_{BATT_RISING}}{I_L}$$

where e_A is the allowable error due to input leakage current (typically 0.005 or less), V_{BATT_RISING} is the desired rising threshold, and I_L is the worst-case leakage current (5nA). Then calculate R_{LO} (which is the sum of R_L and R_{HYST}):

$$R_{LO} = \frac{V_{LBI} \times R_H}{V_{BATT_FALLING} - V_{LBI}}$$

where V_{LBI} is 1.222V and $V_{BATT_FALLING}$ is the desired falling threshold. Calculate R_L using:

$$R_L = \frac{V_{LBI} \times (R_H + R_{LO})}{V_{BATT_RISING}}$$

and finally, calculate R_{HYST} :

$$R_{HYST} = R_{LO} - R_L$$

Monitoring a Battery Voltage Higher Than the Allowable V_{BATT}

For monitoring higher voltages, supply power to BATT that is within the specified supply range, and power the input resistive divider from the high voltage to be monitored. Do not exceed the *Absolute Maximum Ratings*.

Adding External Capacitance to Reduce Noise and Transients

If monitoring voltages in a noisy environment, add a bypass capacitor of 0.1 μ F from BATT to GND as close as possible to the device. For systems with large transients, additional capacitance may be required. A small capacitor (<1nF) from LBI_ to GND may provide additional noise immunity.

Selector Guide

| PART | LBO OUTPUT | OUTPUT TYPE | HYSTERESIS | PIN-PACKAGE |
|--------------|------------|-------------|------------|-------------|
| MAX6775XK_+T | Single | Push-Pull | Fixed | 5 SC70 |
| MAX6775LT_+T | Single | Push-Pull | Fixed | 6 μ DFN |
| MAX6776XK_+T | Single | Open-Drain | Fixed | 5 SC70 |
| MAX6776LT_+T | Single | Open-Drain | Fixed | 6 μ DFN |
| MAX6777XK_+T | Single | Push-Pull | Adjustable | 5 SC70 |
| MAX6777LT_+T | Single | Push-Pull | Adjustable | 6 μ DFN |
| MAX6778XK_+T | Single | Open-Drain | Adjustable | 5 SC70 |
| MAX6778LT_+T | Single | Open-Drain | Adjustable | 6 μ DFN |
| MAX6779LT_+T | Dual | Push-Pull | Fixed | 6 μ DFN |
| MAX6780LT_+T | Dual | Open-Drain | Fixed | 6 μ DFN |
| MAX6781LT_+T | Dual | Mixed | Fixed | 6 μ DFN |

Low-Power, 1%-Accurate Battery Monitors in μ DFN and SC70 Packages

Top Marks

| PART | TOP MARK |
|----------------------|----------|
| MAX6775 XKA+T | ASA |
| MAX6775XKB+T | ASB |
| MAX6775XKC+T | ASC |
| MAX6775LTA+T | BU |
| MAX6775LTB+T | BW |
| MAX6775LTC+T | BX |
| MAX6776 XKA+T | ASJ |
| MAX6776XKB+T | ASK |
| MAX6776XKC+T | ASL |
| MAX6776LTA+T | BY |
| MAX6776LTB+T | BZ |
| MAX6776LTC+T | CA |

| PART | TOP MARK |
|----------------------|----------|
| MAX6777 XK+T | ASD |
| MAX6777LT+T | CB |
| MAX6778 XK+T | ASI |
| MAX6778LT+T | CC |
| MAX6779 LTA+T | BL |
| MAX6779LTB+T | BM |
| MAX6779LTC+T | BN |
| MAX6780 LTA+T | BO |
| MAX6780LTB+T | BP |
| MAX6780LTC+T | BQ |
| MAX6781 LTA+T | BR |
| MAX6781LTB+T | BS |
| MAX6781LTC+T | BT |

MAX6775-MAX6781

Ordering Information (continued)

| PART | TEMP RANGE | PIN-PACKAGE |
|------------------------------------|----------------|-------------|
| MAX6778 XK+T | -40°C to +85°C | 5 SC70 |
| MAX6778LT+T | -40°C to +85°C | 6 μ DFN |
| MAX6779 LT_ ₋ +T | -40°C to +85°C | 6 μ DFN |
| MAX6780 LT_ ₋ +T | -40°C to +85°C | 6 μ DFN |
| MAX6781 LT_ ₋ +T | -40°C to +85°C | 6 μ DFN |

+Denotes a lead(Pb)-free/RoHS-compliant package.

T = Tape and reel.

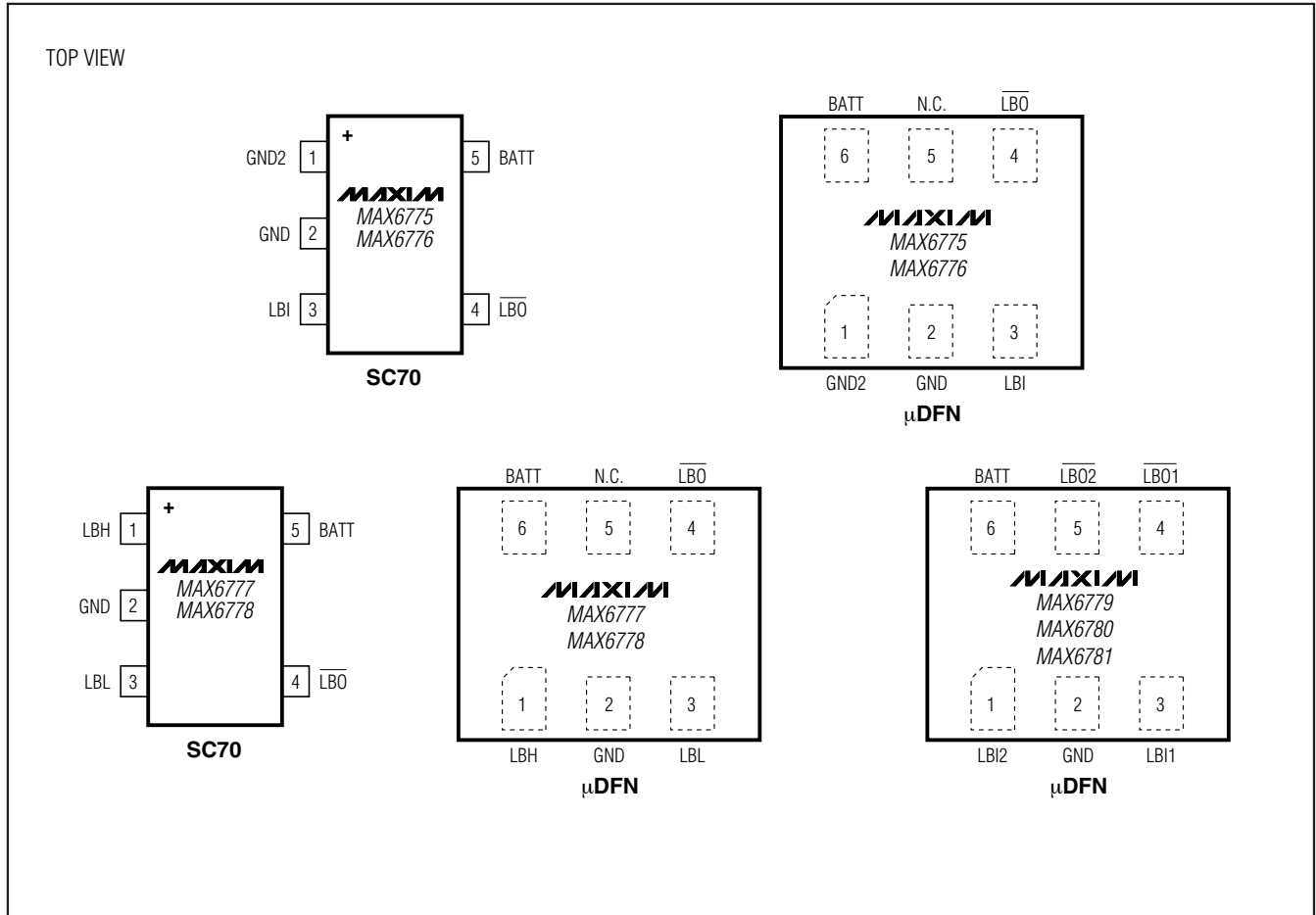
MAX6775/MAX6776/MAX6779/MAX6780/MAX6781 are available with factory-trimmed hysteresis. Specify trim by replacing “_” with “A” for 0.5%, “B” for 5%, or “C” for 10% hysteresis.

Chip Information

PROCESS: BICMOS

Low-Power, 1%-Accurate Battery Monitors in μ DFN and SC70 Packages

Pin Configurations



Package Information

For the latest package outline information and land patterns, go to www.maxim-ic.com/packages.

| PACKAGE TYPE | PACKAGE CODE | DOCUMENT NO. |
|--------------|--------------|-------------------------|
| 5 SC70 | X5-1 | 21-0076 |
| 6 μ DFN | L611-1 | 21-0147 |

Low-Power, 1%-Accurate Battery Monitors in μ DFN and SC70 Packages

Revision History

| REVISION NUMBER | REVISION DATE | DESCRIPTION | PAGES CHANGED |
|-----------------|---------------|---|---------------|
| 4 | 5/09 | Updated <i>Calculating an External Hysteresis Resistive Divider</i> section | 8 |

MAX6775-MAX6781

Maxim cannot assume responsibility for use of any circuitry other than circuitry entirely embodied in a Maxim product. No circuit patent licenses are implied. Maxim reserves the right to change the circuitry and specifications without notice at any time.

Maxim Integrated Products, 120 San Gabriel Drive, Sunnyvale, CA 94086 408-737-7600 _____ 11

© 2009 Maxim Integrated Products

Maxim is a registered trademark of Maxim Integrated Products, Inc.