

# Dual, 256-Tap, Volatile Low-Voltage Linear Taper Digital Potentiometers

## General Description

The MAX5386/MAX5388 dual, 256-tap, volatile low-voltage linear taper digital potentiometers offer three end-to-end resistance values of 10k $\Omega$ , 50k $\Omega$ , and 100k $\Omega$ . Operating from a single +2.6V to +5.5V power supply these devices provide a low 35ppm/ $^{\circ}$ C end-to-end temperature coefficient. The devices feature an SPI™ interface.

The small package size, low supply voltage, low supply current, and automotive temperature range of the MAX5386/MAX5388 make the devices uniquely suitable for the portable consumer market, battery backup industrial applications, and the automotive market.

The MAX5386 includes two digital potentiometers in a voltage-divider configuration. The MAX5388 includes one digital potentiometer in a voltage-divider configuration and one digital potentiometer in a variable-resistor configuration. The MAX5386/MAX5388 are specified over an extended -40 $^{\circ}$ C to +125 $^{\circ}$ C temperature range and are available in 16-pin, 3mm x 3mm TQFN or 10-pin, 3mm x 5mm  $\mu$ MAX® packages, respectively.

## Applications

Low-Voltage Battery Applications  
 Portable Electronics  
 Mechanical Potentiometer Replacement  
 Offset and Gain Control  
 Adjustable Voltage References/Linear Regulators  
 Automotive Electronics

Functional Diagrams appear at end of data sheet.

## Features

- ◆ Dual, 256-Tap, Linear Taper Positions
- ◆ Single +2.6V to +5.5V Supply Operation
- ◆ Low (< 1 $\mu$ A) Quiescent Supply Current
- ◆ 10k $\Omega$ , 50k $\Omega$ , 100k $\Omega$  End-to-End Resistance Values
- ◆ SPI-Compatible Interface
- ◆ Power-On Sets Wiper to Midscale
- ◆ -40 $^{\circ}$ C to +125 $^{\circ}$ C Operating Temperature Range

## Ordering Information

PART	PIN-PACKAGE	END-TO-END RESISTANCE (k $\Omega$ )
MAX5386LATE+*	16 TQFN-EP**	10
MAX5386MATE+	16 TQFN-EP**	50
MAX5386NATE+*	16 TQFN-EP**	100
MAX5388LAUB+*	10 $\mu$ MAX	10
MAX5388MAUB+*	10 $\mu$ MAX	50
MAX5388NAUB+*	10 $\mu$ MAX	100

+Denotes a lead(Pb)-free/RoHS-compliant package.

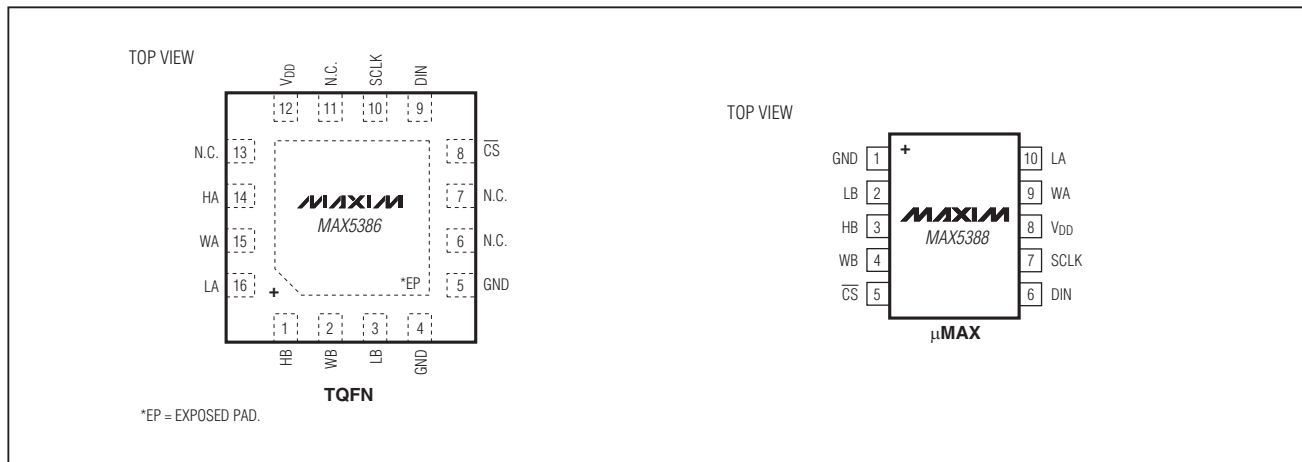
\*Future product—contact factory for availability.

\*\*EP = Exposed pad.

**Note:** All devices are specified over the -40 $^{\circ}$ C to +125 $^{\circ}$ C operating temperature range.

Functional Diagrams appear at end of data sheet.

## Pin Configurations



# Dual, 256-Tap, Volatile Low-Voltage Linear Taper Digital Potentiometers

## ABSOLUTE MAXIMUM RATINGS

$V_{DD}$ to GND.....	-0.3V to +6V	Continuous Power Dissipation ( $T_A = +70^\circ\text{C}$ )	
$H_-, W_-, L_-$ to GND.....	-0.3V to the lower of ( $V_{DD} + 0.3\text{V}$ ) and +6V	16 TQFN (derate 14.7mW/ $^\circ\text{C}$ above $+70^\circ\text{C}$ ) .....	1176.5mW
All Other Pins to GND .....	-0.3V to +6V	10 $\mu\text{MAX}$ (derate 8.8mW/ $^\circ\text{C}$ above $+70^\circ\text{C}$ ) .....	707.3mW
Continuous Current in to $H_-, W_-,$ and $L_-$		Operating Temperature Range.....	$-40^\circ\text{C}$ to $+125^\circ\text{C}$
MAX5386L/MAX5388L.....	$\pm 5\text{mA}$	Junction Temperature .....	$+150^\circ\text{C}$
MAX5386M/MAX5388M.....	$\pm 2\text{mA}$	Storage Temperature Range.....	$-65^\circ\text{C}$ to $+150^\circ\text{C}$
MAX5386N/MAX5388N .....	$\pm 1\text{mA}$	Lead Temperature (soldering, 10s) .....	$+300^\circ\text{C}$

Stresses beyond those listed under "Absolute Maximum Ratings" may cause permanent damage to the device. These are stress ratings only, and functional operation of the device at these or any other conditions beyond those indicated in the operational sections of the specifications is not implied. Exposure to absolute maximum rating conditions for extended periods may affect device reliability.

## ELECTRICAL CHARACTERISTICS

( $V_{DD} = +2.6\text{V}$  to  $+5.5\text{V}$ ,  $V_{H_-} = V_{DD}$ ,  $V_{L_-} = \text{GND}$ ,  $T_A = T_{\text{MIN}}$  to  $T_{\text{MAX}}$ , unless otherwise noted. Typical values are at  $V_{DD} = +5\text{V}$ ,  $T_A = +25^\circ\text{C}$ .) (Note 1)

PARAMETER	SYMBOL	CONDITIONS	MIN	TYP	MAX	UNITS
Resolution	N		256			Tap
<b>DC PERFORMANCE (VOLTAGE-DIVIDER MODE)</b>						
Integral Nonlinearity	INL	(Note 2)	-0.5		+0.5	LSB
Differential Nonlinearity	DNL	(Note 2)	-0.5		+0.5	LSB
Dual Code Matching		Register A = register B	-0.5		+0.5	LSB
Ratiometric Resistor Tempco		$(\Delta V_W/V_W)/\Delta T$ no load		$\pm 5$		ppm/ $^\circ\text{C}$
Full-Scale Error	Code = FFH	MAX5386L/MAX5388L		-2.3		LSB
		MAX5386M/MAX5388M	-1.0	-0.5		
		MAX5386N/MAX5388N		-0.25		
Zero-Scale Error	Code = 00H	MAX5386L/MAX5388L		2.3		LSB
		MAX5386M/MAX5388M	+0.5	+1.0		
		MAX5386N/MAX5388N		+0.25		
<b>DC PERFORMANCE (VARIABLE-RESISTOR MODE) (Note 3)</b>						
Integral Nonlinearity	R-INL	$V_{DD} > +2.6\text{V}$	MAX5386L/MAX5388L	$\pm 1.0$		LSB
			MAX5386M/MAX5388M	$\pm 1.0$		
			MAX5386N/MAX5388N	$\pm 0.25$		
		$V_{DD} > +4.75\text{V}$	MAX5386L/MAX5388L	$\pm 0.4$		
			MAX5386M/MAX5388M	$\pm 0.75$		
			MAX5386N/MAX5388N	$\pm 0.25$		
Differential Nonlinearity	R-DNL	$V_{DD} \geq 2.6\text{V}$	-0.5		+0.5	LSB
<b>DC PERFORMANCE (RESISTOR CHARACTERISTICS)</b>						
Wiper Resistance (Note 4)	$R_W$	$V_{DD} \geq 2.6\text{V}$		250	600	$\Omega$
		$V_{DD} > 4.75\text{V}$		150	200	
Terminal Capacitance	$C_{H_-}, C_{L_-}$	Measured to GND		10		pF
Wiper Capacitance	$C_{W_-}$	Measured to GND		50		pF
End-to-End Resistor Tempco	$TC_R$	No load		35		ppm/ $^\circ\text{C}$
End-to-End Resistor Tolerance	$\Delta R_{HL}$	Wiper not connected	-25		+25	%
<b>AC PERFORMANCE</b>						
Crosstalk		(Note 5)		-90		dB
-3dB Bandwidth	BW	Code = 80H, 10pF load, $V_{DD} = +2.6\text{V}$	MAX5386L/MAX5388L	600		kHz
			MAX5386M/MAX5388M	150		
			MAX5386N/MAX5388N	75		

# Dual, 256-Tap, Volatile Low-Voltage Linear Taper Digital Potentiometers

MAX5386/MAX5388

## ELECTRICAL CHARACTERISTICS (continued)

( $V_{DD} = +2.6V$  to  $+5.5V$ ,  $V_{H\_} = V_{DD}$ ,  $V_{L\_} = GND$ ,  $T_A = T_{MIN}$  to  $T_{MAX}$ , unless otherwise noted. Typical values are at  $V_{DD} = +5V$ ,  $T_A = +25^{\circ}C$ .) (Note 1)

PARAMETER	SYMBOL	CONDITIONS	MIN	TYP	MAX	UNITS
Total Harmonic Distortion Plus Noise	THD+N	Measured at W, $V_{H\_} = 1V_{RMS}$ at 1kHz		0.015		%
Wiper Settling Time (Note 6)	$t_s$	MAX5386L/MAX5388L		300		ns
		MAX5386M/MAX5388M		1000		
		MAX5386N/MAX5388N		2000		
<b>POWER SUPPLIES</b>						
Supply Voltage Range	$V_{DD}$		2.6		5.5	V
Standby Current		Digital inputs = $V_{DD}$ or GND		1		$\mu A$
<b>DIGITAL INPUTS</b>						
Minimum Input High Voltage	$V_{IH}$		70			% $V_{DD}$
Maximum Input Low Voltage	$V_{IL}$				30	% $V_{DD}$
Input Leakage Current			-1		+1	$\mu A$
Input Capacitance				5		pF
<b>TIMING CHARACTERISTICS (Note 7)</b>						
Maximum SCLK Frequency	$f_{MAX}$				10	MHz
SCLK Clock Period	$t_{CP}$		100			ns
SCLK Pulse-Width High	$t_{CH}$		40			ns
SCLK Pulse-Width Low	$t_{CL}$		40			ns
$\overline{CS}$ Fall to SCLK Rise Setup Time	$t_{CSS}$		40			ns
SCLK Rise to $\overline{CS}$ Rise Hold Time	$t_{CSH}$		0			ns
DIN Setup Time	$t_{DS}$		40			ns
DIN Hold Time	$t_{DH}$		0			ns
SCLK Rise to $\overline{CS}$ Fall Delay	$t_{CS0}$		10			ns
SCLK Rise to SCLK Rise Hold Time	$t_{CS1}$		40			ns
$\overline{CS}$ Pulse-Width High	$t_{CSW}$		100			ns

**Note 1:** All devices are 100% production tested at  $T_A = +25^{\circ}C$ . Specifications over temperature limits are guaranteed by design and characterization.

**Note 2:** DNL and INL are measured with the potentiometer configured as a voltage-divider (Figure 1) with  $H = V_{DD}$  and  $L = GND$ . The wiper terminal is unloaded and measured with an ideal voltmeter.

**Note 3:** R-DNL and R-INL are measured with the potentiometer configured as a variable resistor (Figure 1). DNL and INL are measured with the potentiometer configured as a variable resistor.  $H_-$  is unconnected and  $L_- = GND$ . For  $V_{DD} = +5V$ , the wiper terminal is driven with a source current of  $400\mu A$  for the  $10k\Omega$  configuration,  $80\mu A$  for the  $50k\Omega$  configuration, and  $40\mu A$  for the  $100k\Omega$  configuration. For  $V_{DD} = +2.6V$ , the wiper terminal is driven with a source current of  $200\mu A$  for the  $10k\Omega$  configuration,  $40\mu A$  for the  $50k\Omega$  configuration, and  $20\mu A$  for the  $100k\Omega$  configuration.

**Note 4:** The wiper resistance is the worst value measured by injecting the currents given in Note 3 in to W with  $L = GND$ .  $R_W = (V_W - V_H)/I_W$ .

**Note 5:** Drive HA with a 1kHz GND to  $V_{DD}$  amplitude tone.  $LA = LB = GND$ . No load. WB is at midscale with a 10pF load. Measure WB.

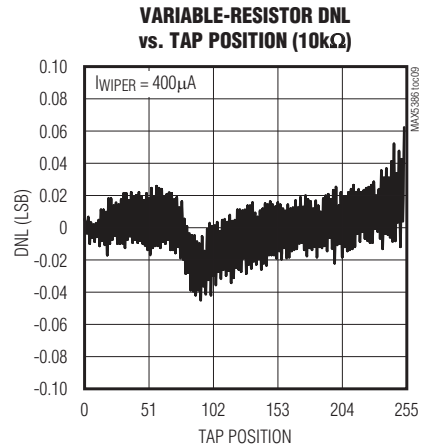
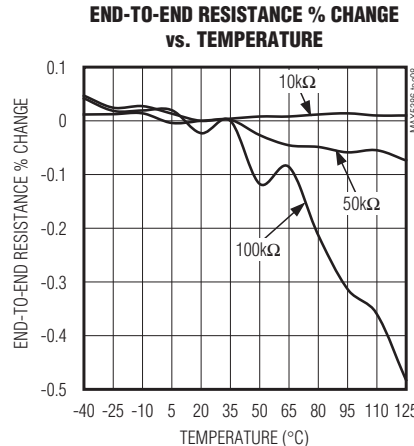
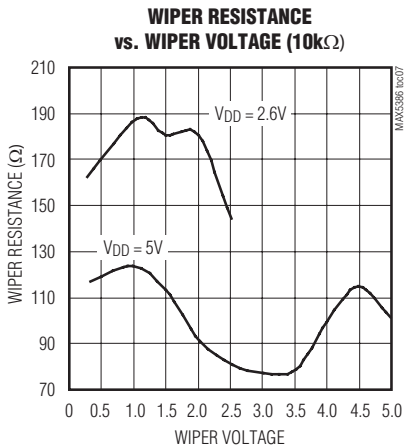
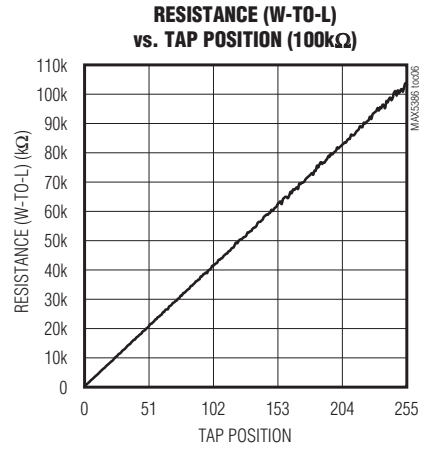
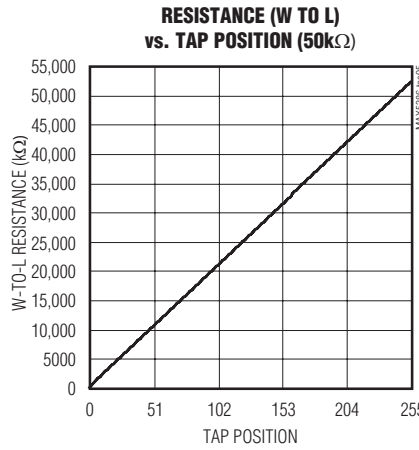
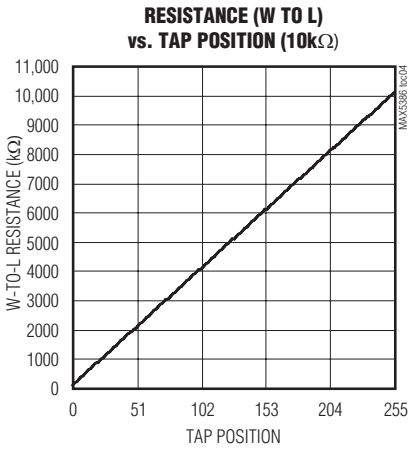
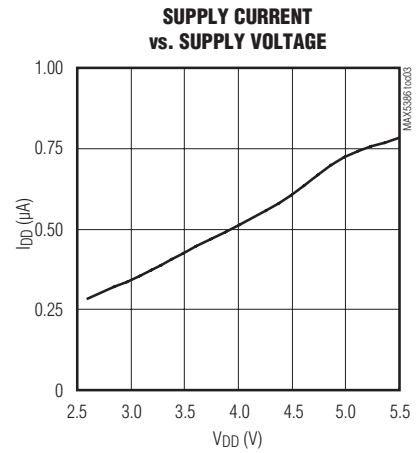
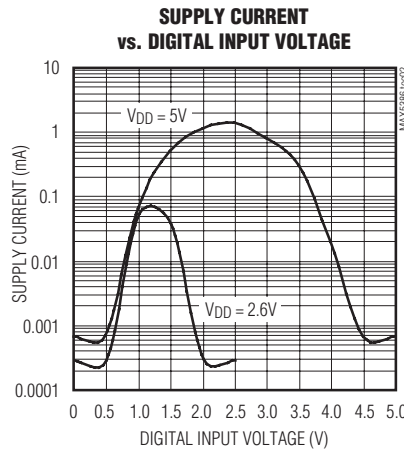
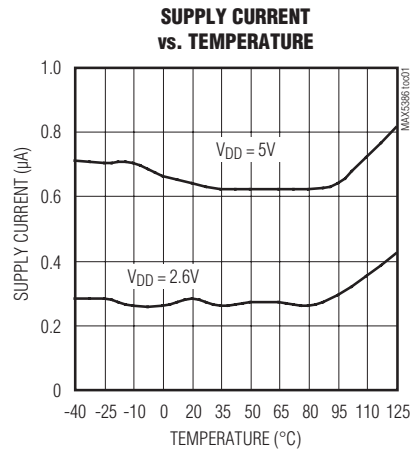
**Note 6:** The wiper-settling time is the worst case 0 to 50% rise time, measured between tap 0 and tap 127.  $H = V_{DD}$ ,  $L = GND$ , and the wiper terminal is loaded with 10pF capacitance to ground.

**Note 7:** Digital timing is guaranteed by design and characterization, not production tested.

# Dual, 256-Tap, Volatile Low-Voltage Linear Taper Digital Potentiometers

## Typical Operating Characteristics

( $V_{DD} = 5V$ ,  $T_A = +25^\circ C$ , unless otherwise noted.)

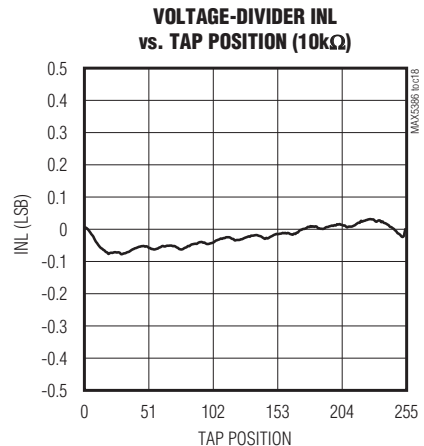
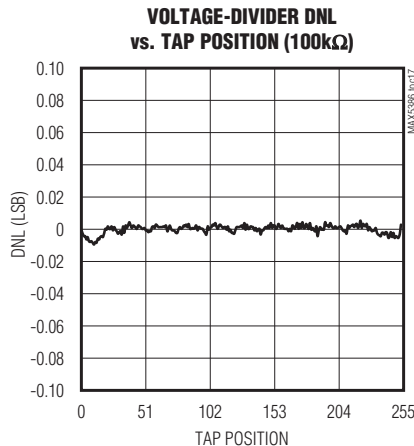
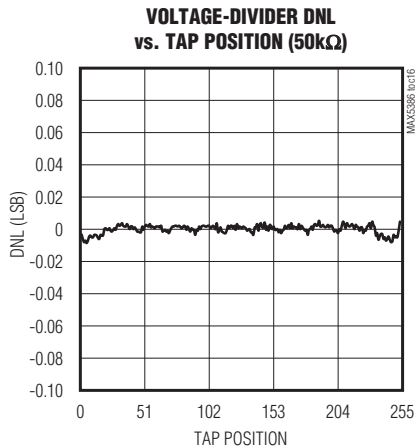
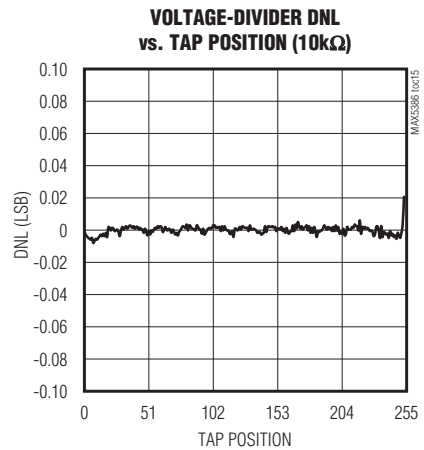
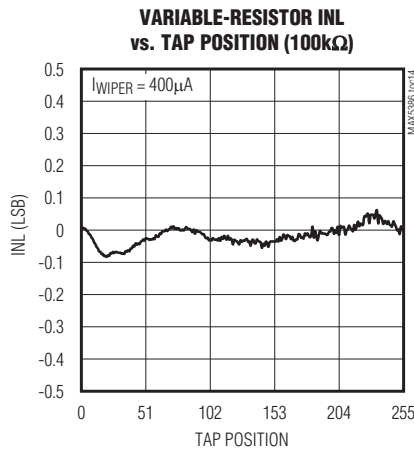
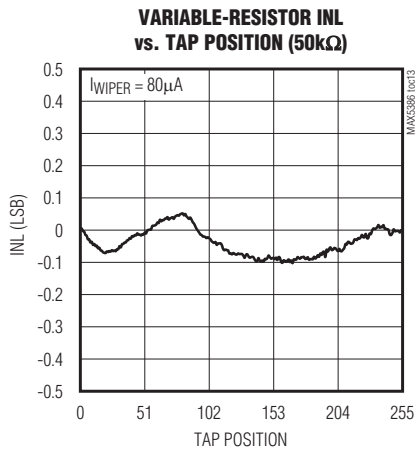
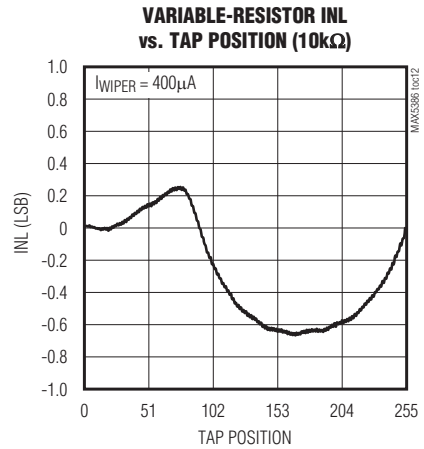
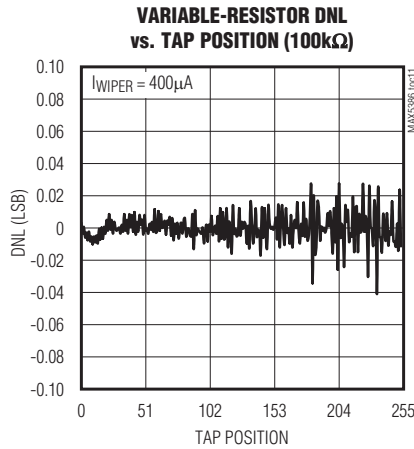
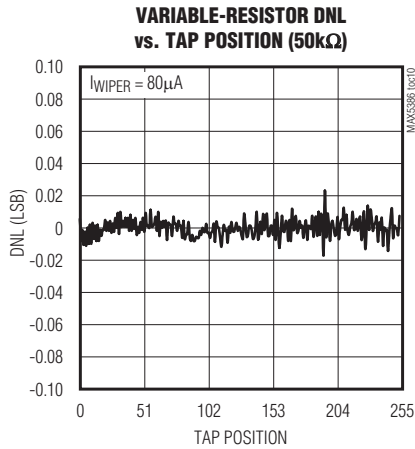


# Dual, 256-Tap, Volatile Low-Voltage Linear Taper Digital Potentiometers

## Typical Operating Characteristics (continued)

MAX5386/MAX5388

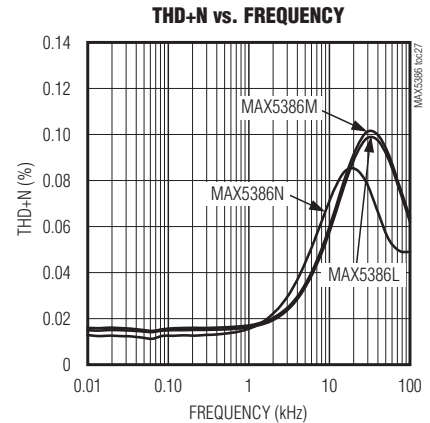
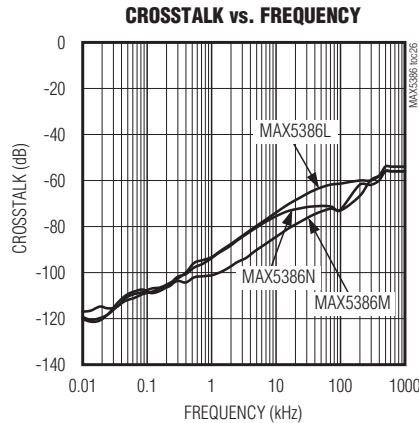
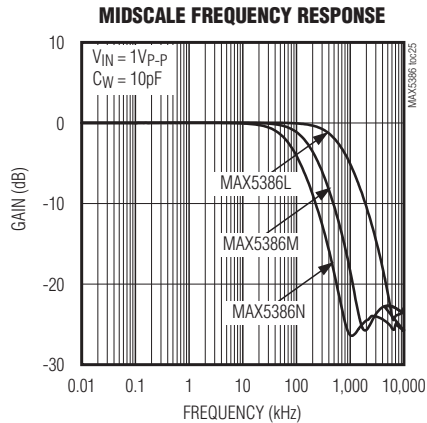
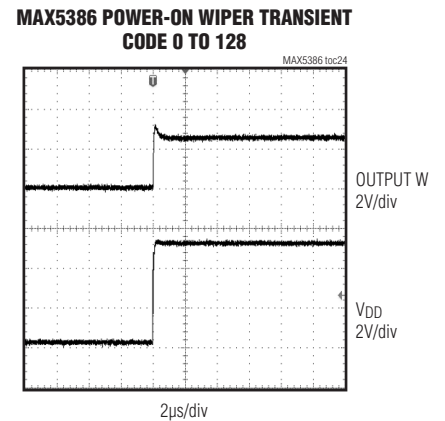
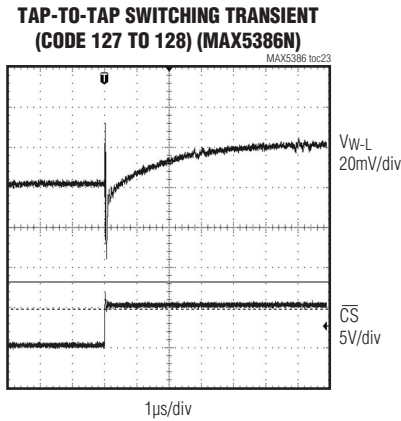
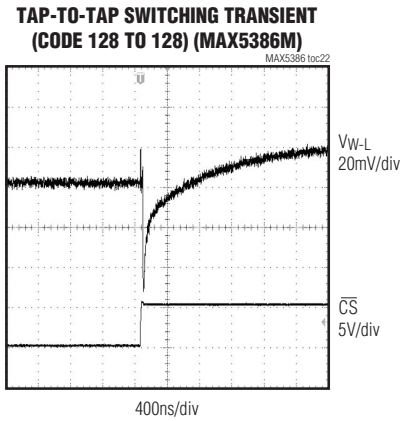
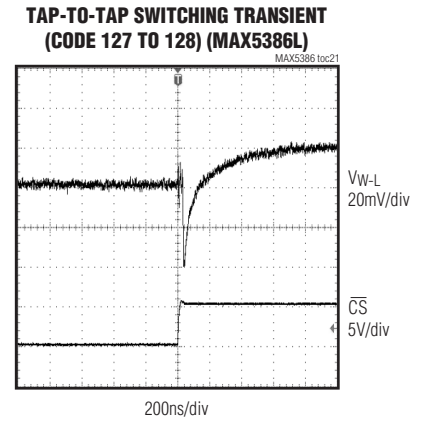
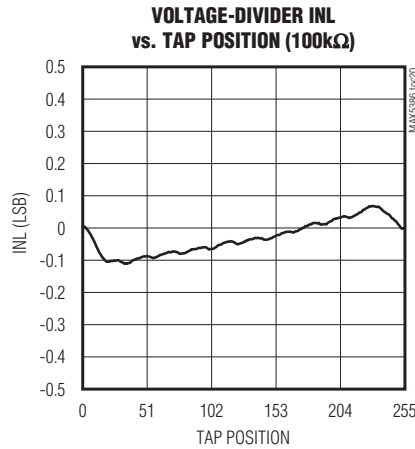
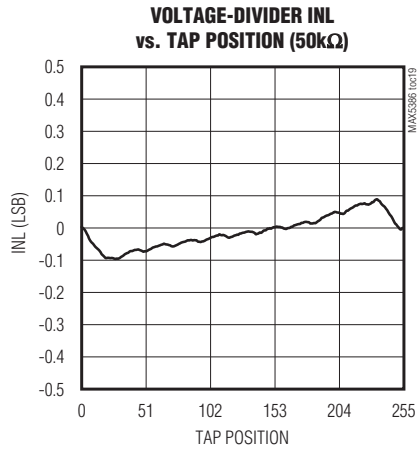
( $V_{DD} = 5V$ ,  $T_A = +25^\circ C$ , unless otherwise noted.)



# Dual, 256-Tap, Volatile Low-Voltage Linear Taper Digital Potentiometers

## Typical Operating Characteristics (continued)

( $V_{DD} = 5V$ ,  $T_A = +25^\circ C$ , unless otherwise noted.)



# Dual, 256-Tap, Volatile Low-Voltage Linear Taper Digital Potentiometers

## Pin Description

**MAX5386/MAX5388**

PIN		NAME	FUNCTION
MAX5386	MAX5388		
1	3	HB	Resistor B High Terminal. The voltage at HB can be higher or lower than the voltage at LB. Current can flow in to or out of HB.
2	4	WB	Resistor B Wiper Terminal
3	2	LB	Resistor B Low Terminal. The voltage at LB can be higher or lower than the voltage at HB. Current can flow in to or out of LB.
4, 5	1	GND	Ground. Both pins must be grounded.
6, 7, 11, 13	—	N.C.	No Connection. Not internally connected.
8	5	$\overline{\text{CS}}$	Active-Low Chip-Select Input
9	6	DIN	Serial-Interface Data Input
10	7	SCLK	Serial-Interface Clock Input
12	8	VDD	Power-Supply Input. Bypass VDD to GND with a 0.1 $\mu$ F capacitor close to the device.
14	—	HA	Resistor A High Terminal. The voltage at HA can be higher or lower than the voltage at LA. Current can flow in to or out of HA.
15	9	WA	Resistor A Wiper Terminal
16	10	LA	Resistor A Low Terminal. The voltage at LA can be higher or lower than the voltage at LA. Current can flow in to or out of LA.
—	—	EP	Exposed Pad (TQFN Only). Internally connected to GND. Connect to ground.

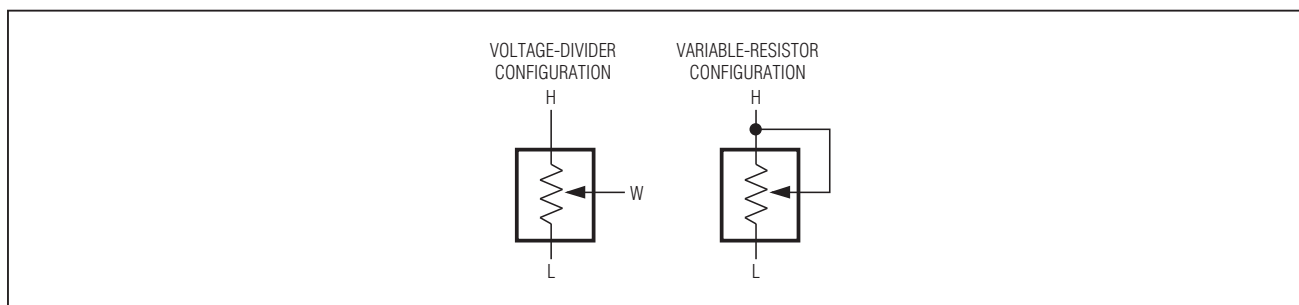


Figure 1. Voltage-Divider/Variable-Resistor Configurations

# Dual, 256-Tap, Volatile Low-Voltage Linear Taper Digital Potentiometers

## Detailed Description

The MAX5386/MAX5388 dual, 256-tap, volatile low-voltage linear taper digital potentiometers offer three end-to-end resistance values of 10k $\Omega$ , 50k $\Omega$ , and 100k $\Omega$ . Each potentiometer consists of 255 fixed resistors in series between terminals H and L. The potentiometer wiper, W, is programmable to access anyone of the 256 tap points on the resistor string.

The potentiometers in each device are programmable independently of each other. The MAX5386/MAX5388 have an SPI interface.

### SPI Digital Interface

The MAX5386/MAX5388 include an SPI interface, which provides a 3-wire write-only serial data interface to control the wiper tap position through inputs chip select ( $\overline{CS}$ ), data in (DIN), and data clock (SCLK). Drive  $\overline{CS}$  low to load data from DIN synchronously into the serial shift register on the rising edge of each SCLK pulse. The MAX5386/MAX5388 load the last 9 bits of clocked data once  $\overline{CS}$  transitions high. See Figures 2 and 3. After all the data bits are shifted in, data are latched into the appropriate potentiometer control register when  $\overline{CS}$  goes from low to high. Data written to a memory register immediately updates the wiper position. Keep  $\overline{CS}$  low

during the entire data stream to prevent the data from being terminated.

The first bit A0 (address bit) addresses one of the two potentiometers; writing a zero in A0 addresses control register A and writing a one in A0 addresses control register B. See Table 1. The power-on reset (POR) circuitry sets the wiper to midscale (D[7:0] 1000 0000).

The 8 data bits (D7–D0) indicate the position of the wiper. For D[7:0] = 0000 0000, the wiper moves to the position closest to L. For D[7:0] = 1111 1111, the wiper moves closest to H. D[7:0] is 1000 0000 following power-on for both registers A and B.

**Register A:** The data byte writes to register A, and the wiper of potentiometer A moves to the appropriate position at the rising edge of  $\overline{CS}$ . D[7:0] indicates the position of the wiper. D[7:0] = 0000 0000 moves the wiper to the position closest to L. D[7:0] = 1111 1111 moves the wiper to the position closest to H. D[7:0] is 1000 0000 following power-on.

**Register B:** The data byte writes to register B, and the wiper of potentiometer B moves to the appropriate position at the rising edge of  $\overline{CS}$ . D[7:0] indicates the position of the wiper. D[7:0] = 0000 0000 moves the wiper to the position closest to L. D[7:0] = 1111 1111 moves the wiper to the position closest to H. D[7:0] is 1000 0000 following power-on.

**Table 1. SPI Register Map**

Bit Number	1	2	3	4	5	6	7	8	9
Bit Name	A0	D7	D6	D5	D4	D3	D2	D1	D0
Write Wiper Register A	0	D7	D6	D5	D4	D3	D2	D1	D0
Write Wiper Register B	1	D7	D6	D5	D4	D3	D2	D1	D0



# Dual, 256-Tap, Volatile Low-Voltage Linear Taper Digital Potentiometers

MAX5386/MAX5388

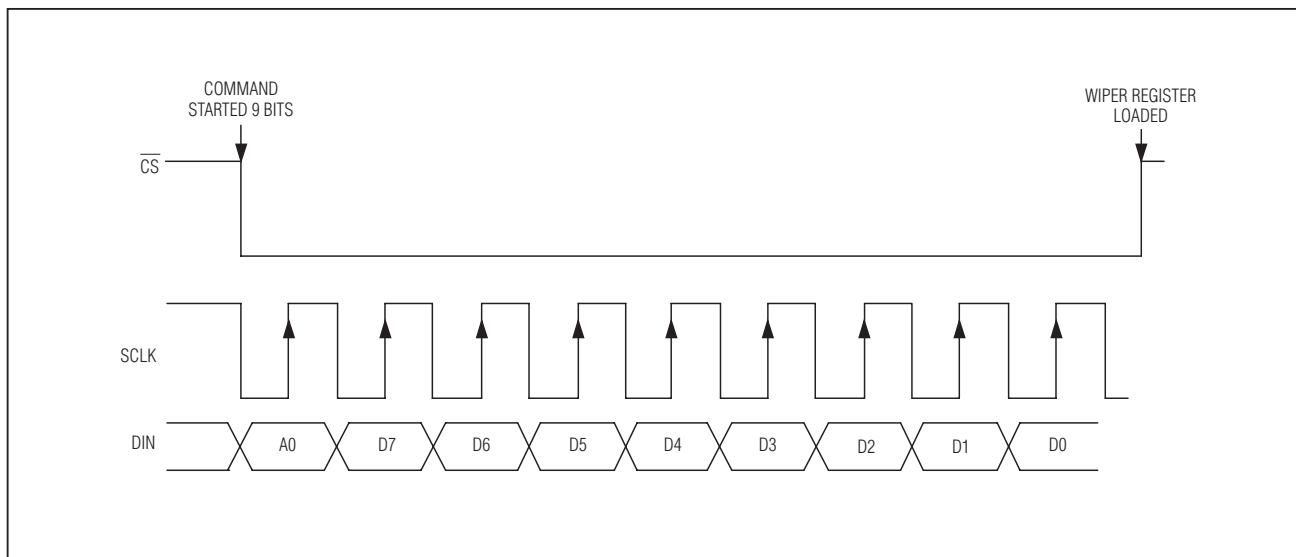


Figure 2. SPI Digital Interface Format

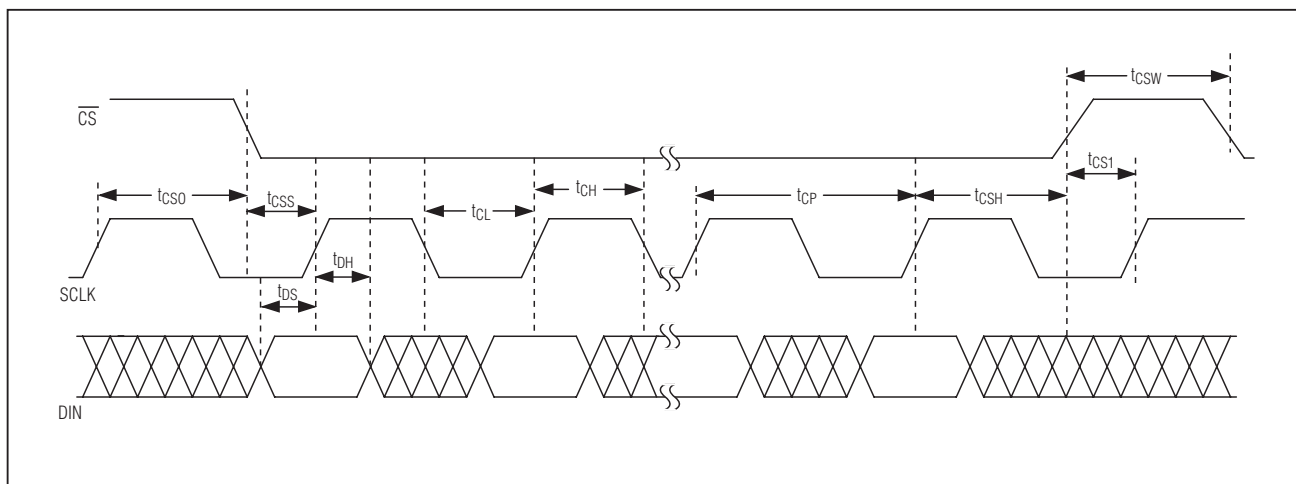


Figure 3. SPI Timing Diagram

# Dual, 256-Tap, Volatile Low-Voltage Linear Taper Digital Potentiometers

## Applications Information

### Variable-Gain Amplifier

Figure 4 shows a potentiometer adjusting the gain of a noninverting amplifier. Figure 5 shows a potentiometer adjusting the gain of an inverting amplifier.

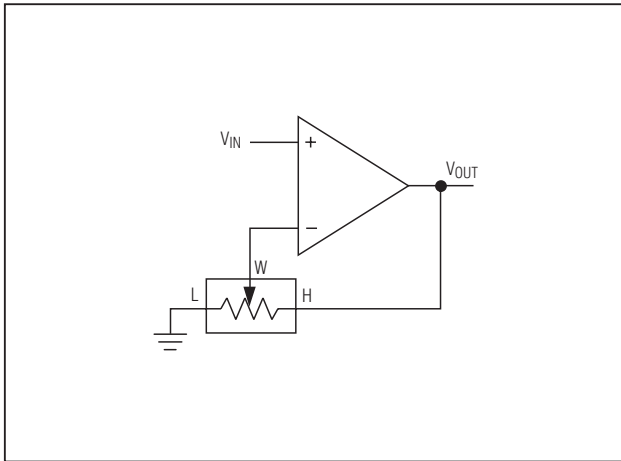


Figure 4. Variable-Gain Noninverting Amplifier

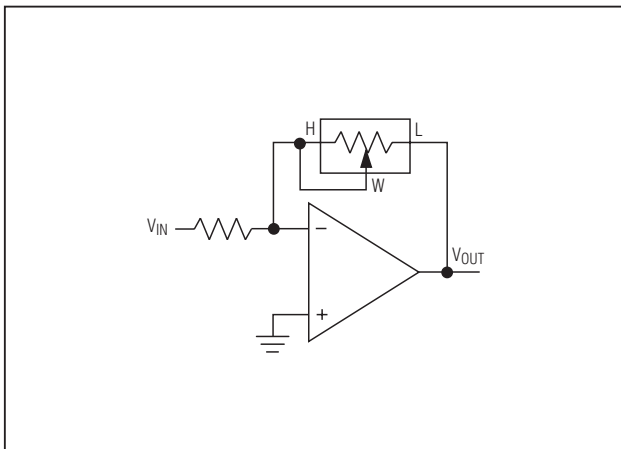


Figure 5. Variable-Gain Inverting Amplifier

### Adjustable Dual Linear Regulator

Figure 6 shows an adjustable dual linear regulator using a dual potentiometer as two variable resistors.

### Adjustable Voltage Reference

Figure 7 shows an adjustable voltage reference circuit using a potentiometer as a voltage-divider.

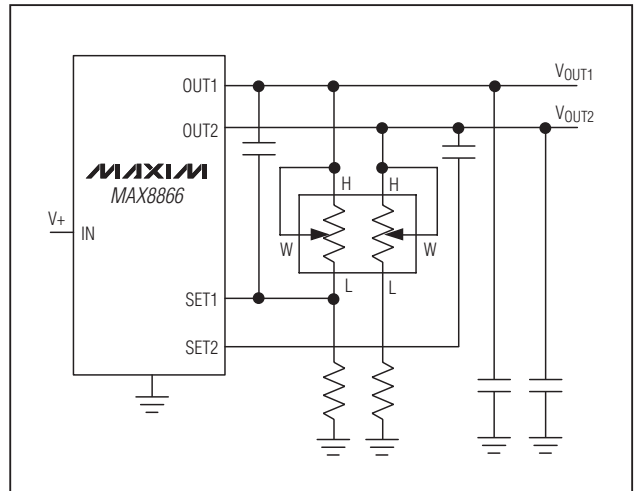


Figure 6. Adjustable Dual Linear Regulator

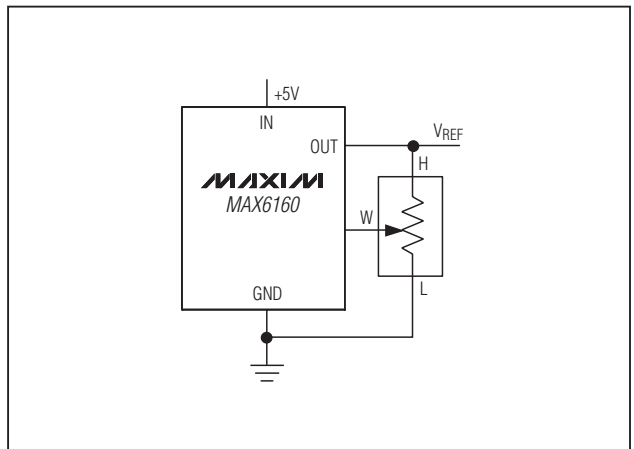


Figure 7. Adjustable Voltage Reference

# Dual, 256-Tap, Volatile Low-Voltage Linear Taper Digital Potentiometers

MAX5386/MAX5388

## Variable Gain Current to Voltage Converter

Figure 8 shows a variable gain current-to-voltage converter using a potentiometer as a variable resistor.

## LCD Bias Control

Figure 9 shows a positive LCD bias control circuit using a potentiometer as a voltage-divider.

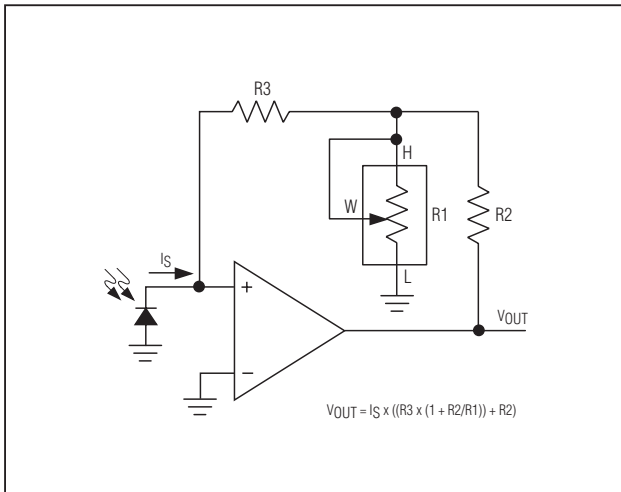


Figure 8. Variable Gain I-to-V Converter

## Programmable Filter

Figure 10 shows a programmable filter using a dual potentiometer.

## Offset Voltage Adjustment Circuit

Figure 11 shows an offset voltage adjustment circuit using a dual potentiometer.

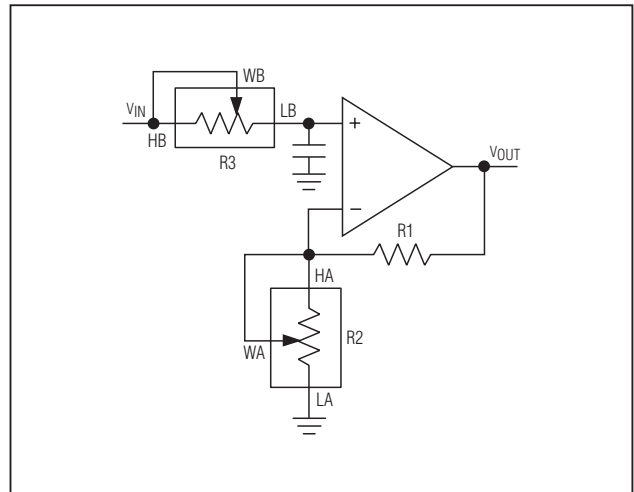


Figure 10. Programmable Filter

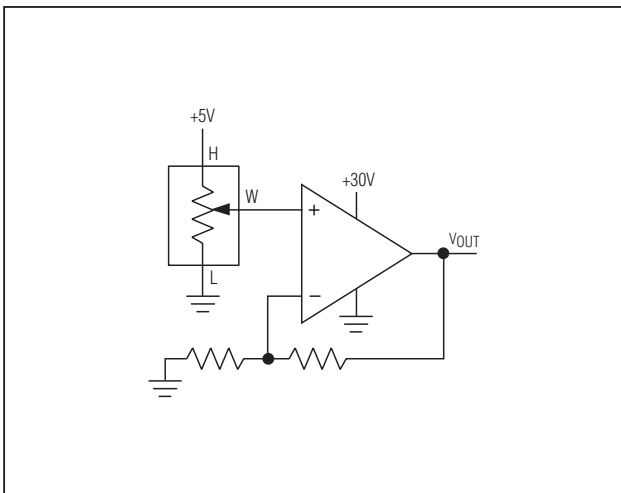


Figure 9. Positive LCD Bias Control Using a Voltage-Divider

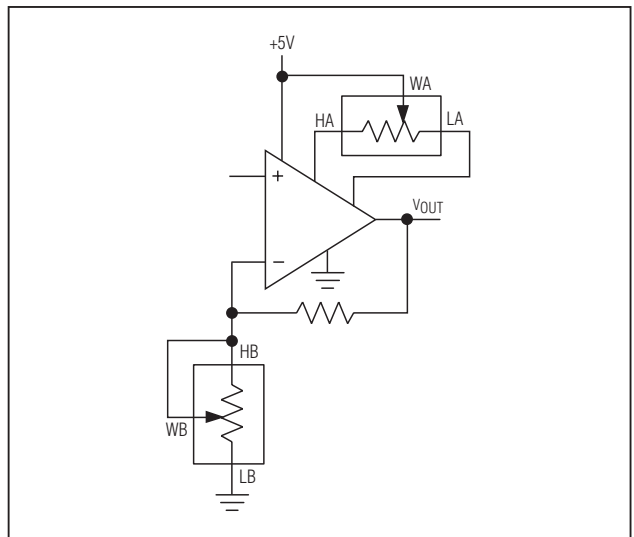
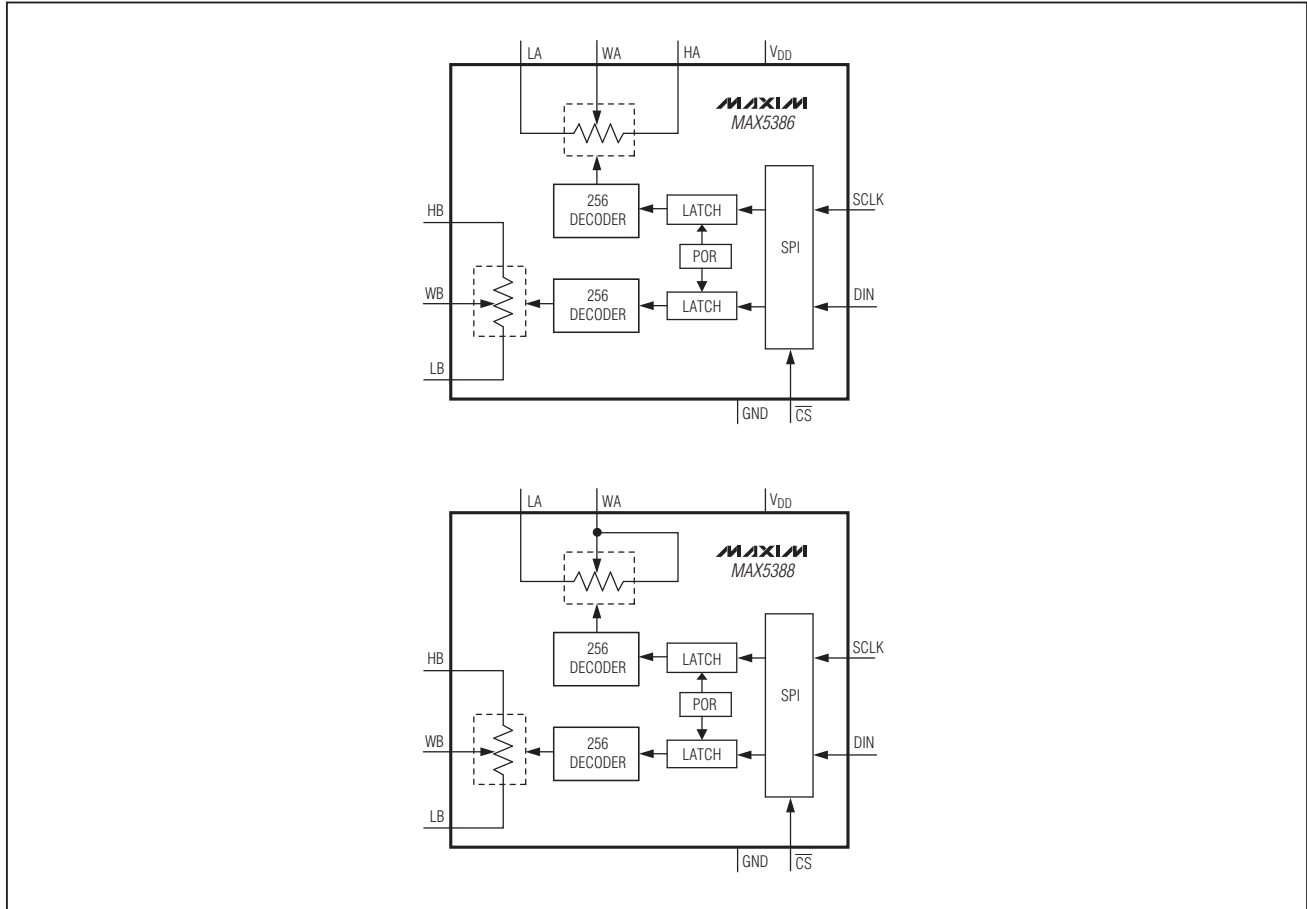


Figure 11. Offset Voltage Adjustment Circuit

# Dual, 256-Tap, Volatile Low-Voltage Linear Taper Digital Potentiometers

## Functional Diagrams



### Chip Information

PROCESS: BiCMOS

### Package Information

For the latest package outline information and land patterns, go to [www.maxim-ic.com/packages](http://www.maxim-ic.com/packages).

PACKAGE TYPE	PACKAGE CODE	DOCUMENT NO.
10 $\mu$ MAX	U10+2	21-0061
16 TQFN-EP	T1633-5	21-0136

Maxim cannot assume responsibility for use of any circuitry other than circuitry entirely embodied in a Maxim product. No circuit patent licenses are implied. Maxim reserves the right to change the circuitry and specifications without notice at any time.

12 **Maxim Integrated Products, 120 San Gabriel Drive, Sunnyvale, CA 94086 408-737-7600**

© 2009 Maxim Integrated Products

Maxim is a registered trademark of Maxim Integrated Products, Inc.