



16-Bit, RISC, Microcontroller-Based, Smart Data-Acquisition System

MAXQ7666

General Description

The MAXQ7666 smart systems-on-a-chip (SoC) is a data-acquisition system based on a microcontroller (μ C). As a member of the MAXQ[®] family of 16-bit reduced instruction set computing (RISC) μ Cs, the MAXQ7666 is ideal for low-cost, low-power, embedded applications such as automotive, industrial controls, and building automation. The flexible, modular architecture design used in this μ C allows targeted product development for specific applications with minimal effort.

The MAXQ7666 incorporates a high-performance 16-bit RISC core, a 12-bit 500ksps SAR ADC with a programmable-gain amplifier (PGA), a 12-bit DAC with a buffered voltage output, and a full CAN 2.0B controller, supporting transfer rates up to 1Mbps. The device includes an internal crystal oscillator that drives an external crystal of 8MHz for the system clock. An internal 7.6MHz RC oscillator provides an alternate system clock. The MAXQ7666 includes an internal temperature sensor to measure die temperature and an external temperature-sensor driver. The analog functions and digital I/O operate from a +5V supply, while the internal digital core operates from a +3.3V supply. An internal linear regulator can provide +3.3V to the digital supply if an external +3.3V supply is not available. The MAXQ7666 also includes two power-supply supervisors and a JTAG interface for in-system programming and debugging. The device includes 16KB (8K x 16) of program flash memory, up to 512 bytes (256 x 16) of data flash, and 512 bytes (256 x 16) of RAM.

The MAXQ7666 is available in a 48-pin TQFN (7mm x 7mm) package and is specified to operate from -40°C to +125°C.

Applications

Automotive Steering Sensors
CAN- and LIN-Based Automotive Sensors
Industrial Control

Features

- ◆ **High-Performance, Low-Power, 16-Bit RISC Core**
 - 8MHz Operation, Approaching 1MIPS per MHz
 - Low Power (< 3mA/MIPS, DVDD = +3.3V)
 - 16-Bit Instruction Word, 16-Bit Data Bus
 - 33 Instructions (Most Require Only One Clock Cycle)
 - 16-Level Hardware Stack
 - Three Independent Data Pointers with Automatic Increment/Decrement

- ◆ **Program and Data Memory**

- 16KB (8K x 16) Program Flash
- Up to 512 Bytes (256 x 16) Data Flash
- 512 Bytes (256 x 16) RAM

- ◆ **Smart Analog Peripherals**

- Low-Power, Eight Differential-Channel, 12-Bit, 500ksps ADC
- PGA, Software-Selectable Gain: 1V/V, 2V/V, 4V/V, 8V/V, 16V/V, 32V/V
- 12-Bit DAC with Buffered Voltage Output
- External References for ADC and DAC
- Internal (Die) and External Diode Temperature Sensing

- ◆ **Timer/Digital I/O Peripherals**

- Full CAN 2.0B Controller
 - 15 Message Centers (256-Byte Dual Port Memory)
 - Programmable Bit Rates from 10kbps to 1Mbps
 - Standard 11-Bit or Extended 29-Bit Identification Modes
 - Two Data Masks and Associated IDs for DeviceNET[™], SDS, and Other Higher Layer CAN Protocols
 - External Transmit Disable for Autobaud
 - SIESTA Low-Power Mode
 - Wake-Up on CANRXD Edge Transition
- UART (LIN) with User-Programmable Baud Rate
- 16 x 16 Hardware Multiplier with 48-Bit Accumulator, Single Clock-Cycle Operation
- Three 16-Bit (or Six 8-Bit) Programmable Timer/Counter/PWM
- Eight General-Purpose, Digital I/Os, with External Interrupt Capability
- Wake-Up Capable Interrupts

- ◆ **Crystal/Clock Module**

- Internal Oscillator for Use with External Crystal
- Internal RC Oscillator Eliminates External Crystal
- External Clock-Source Operation
- Programmable Watchdog Timer

- ◆ **Power-Management Module**

- Power-On Reset (POR)
- Power-Supply Supervisor/Brownout Detection for Digital I/O and Digital Core Supplies
- On-Chip +3.3V, 50mA Linear Regulator

- ◆ **JTAG Interface**

- Extensive Debug and Emulation Support
- In-System Test Capability
- Flash-Memory-Program Download
- Software Bootstrap Loader for Flash Programming

- ◆ **Low-Power Consumption**

- Low-Power Stop Mode (CPU Shutdown)

Ordering Information and Pin Configuration appear at end of data sheet.

MAXQ is a registered trademark of Maxim Integrated Products, Inc.
DeviceNet is a trademark of Open DeviceNet Vendor Association, Inc.

Note: Some revisions of this device may incorporate deviations from published specifications known as errata. Multiple revisions of any device may be simultaneously available through various sales channels. For information about device errata, go to: www.maxim-ic.com/errata.



Maxim Integrated Products 1

For pricing, delivery, and ordering information, please contact Maxim Direct at 1-888-629-4642, or visit Maxim's website at www.maxim-ic.com.

16-Bit, RISC, Microcontroller-Based, Smart Data-Acquisition System

ABSOLUTE MAXIMUM RATINGS

DV _{DD} to DGND, AGND, or GNDIO	-0.3V to +4V	Continuous Current into Any Pin.....	±50mA
DGND to GNDIO or AGND.....	-0.3V to +0.3V	Continuous Power Dissipation (T _A = +70°C)	
DV _{DDIO} to DGND, AGND, or GNDIO	-0.3V to +6V	48-Pin TQFN (derate 40mW/°C above +70°C)	3200mW
AV _{DD} to DGND, AGND, or GNDIO.....	-0.3V to +6V	Operating Temperature Range	-40°C to +125°C
Digital Inputs/Outputs to DGND, AGND, or GNDIO	-0.3V to (DV _{DDIO} + 0.3V)	Junction Temperature	+150°C
Analog Inputs/Outputs to DGND, AGND, or GNDIO	-0.3V to (AV _{DD} + 0.3V)	Storage Temperature Range	-65°C to +150°C
RESET, XIN, XOUT to DGND, AGND, or GNDIO	-0.3V to (DV _{DD} + 0.3V)	Lead Temperature (soldering, 10s)	+300°C

Stresses beyond those listed under "Absolute Maximum Ratings" may cause permanent damage to the device. These are stress ratings only, and functional operation of the device at these or any other conditions beyond those indicated in the operational sections of the specifications is not implied. Exposure to absolute maximum rating conditions for extended periods may affect device reliability.

ELECTRICAL CHARACTERISTICS

(AV_{DD} = DV_{DDIO} = +5.0V, DV_{DD} = +3.3V, f_{SYSCLK} = 8MHz, V_{REFDAC} = V_{REFADC} = +5V, T_A = T_{MIN} to T_{MAX}, unless otherwise noted. Typical values are at T_A = +25°C.) (Note 1)

PARAMETER	SYMBOL	CONDITIONS	MIN	TYP	MAX	UNITS
POWER REQUIREMENTS						
Supply Voltage Range	DV _{DD}	Safe mode (RC/2 = 3.8MHz)	2.7	3.3	3.6	V
		Normal mode	3.0	3.3	3.6	
	AV _{DD}		4.75	5.0	5.25	
	DV _{DDIO}		4.75	5.0	5.25	
AV _{DD} Supply Current	I _{AVDD}	Shutdown (Note 2)		0.1	10	μA
		All analog functions enabled		6.7	8	mA
Analog Module Subfunction Incremental Supply Current		ADC enabled, f _{ADC} = 1ksps, f _{SYSCLK} = 8MHz		4.2		μA
		ADC enabled, f _{ADC} = 500ksps, f _{SYSCLK} = 8MHz		1890		
		DAC enabled (zero scale)		305		
		Internal temperature sensor enabled		502		
		Additional current when one or more of the ADC, DAC, and/or temperature sensor is enabled (only counted once)		151		
		PGA enabled		4.5		mA
DV _{DD} Supply Current	I _{DVDD}	CPU in stop mode, all peripherals disabled		160	225	μA
		High-speed mode (Note 3)			28	mA
		Flash erase or write mode		25	35	
DV _{DD} Module Subfunction Incremental Supply Current		DV _{DD} supervisor and brownout monitor		2		μA
		High-frequency crystal oscillator		700		
		Internal RC oscillator		200		
DV _{DDIO} Supply Current	I _{DVDDIO}	All digital I/Os static at GND or DV _{DDIO} (Note 4)			10	μA
					1000	

16-Bit, RISC, Microcontroller-Based, Smart Data-Acquisition System

MAXQ7666

ELECTRICAL CHARACTERISTICS (continued)

(AV_{DD} = DV_{DDIO} = +5.0V, DV_{DD} = +3.3V, f_{SYSCLOCK} = 8MHz, V_{REFDAC} = V_{REFADC} = +5V, T_A = T_{MIN} to T_{MAX}, unless otherwise noted. Typical values are at T_A = +25°C.) (Note 1)

PARAMETER	SYMBOL	CONDITIONS	MIN	TYP	MAX	UNITS
MEMORY SECTION						
Program Flash Total Size		Program flash is accessed as 16-bit words		16		KB
Program Flash Page Size				64		Bytes
Program Flash Erase Size		Page erase		4		Pages
		Erase all		256		
Program Flash Programming Size		Using utility ROM function programFlashWritePage: must erase full two pages and rewrite entire page to change any values on that page		1		Pages
		Using JTAG boot loader protocol command to load code (family 90h and D0h): must erase full two pages and rewrite two pages		2		
Program Flash Erase/ Programming Cell Endurance			10,000			Cycles
Program Flash DV _{DD} Supply Voltage		Erasing, programming, or fetching instructions	3.0	3.3	3.6	V
Program Flash Erase Timing		Page erase		24	30	ms
		Entire flash		240	300	
Program Flash Programming Timing		Page program		2.2	2.75	ms
		Full program flash program		575	704	
Program Flash Data Retention		T _A = +85°C	15			Years
Data Flash Total Size		Data flash is accessed as 16-bit words (Note 5)		512		Bytes
Data Flash Page Size				2		Bytes

16-Bit, RISC, Microcontroller-Based, Smart Data-Acquisition System

ELECTRICAL CHARACTERISTICS (continued)

($V_{DD} = DV_{DDIO} = +5.0V$, $DV_{DD} = +3.3V$, $f_{SYSCLK} = 8MHz$, $V_{REFDAC} = V_{REFADC} = +5V$, $T_A = T_{MIN}$ to T_{MAX} , unless otherwise noted. Typical values are at $T_A = +25^{\circ}C$.) (Note 1)

PARAMETER	SYMBOL	CONDITIONS	MIN	TYP	MAX	UNITS	
Data Flash Erase Size		Page erase using utility ROM function dataFlashPageErase		2		Pages	
		Page erase using utility ROM function dataFlashPageEraseEven		1			
		Erase all		256			
Data Flash Programming Size		Using utility ROM function dataFlashWritePage: must erase full two pages and rewrite entire page to change any values on that page		1		Pages	
		Using utility ROM function dataFlashWritePageEven: must erase one even page and rewrite entire page to change any values on that page		1			
Data Flash Erase/Write Cell Endurance			10,000			Cycles	
Data Flash DV_{DD} Supply Voltage		Erasing, writing, or reading	3.0	3.3	3.6	V	
Data Flash Erase Timing		Page erase		24	30	ms	
		Entire flash		240	300		
Data Flash Programming Timing		Page write (1 x 16)		73	90	μs	
		Full data flash write	64 x 16		4.7	5.8	ms
			256 x 16		18.7	23	
Data Flash Data Retention		$T_A = +85^{\circ}C$	15			Years	
RAM Data Retention Voltage			2			V	
Data RAM Memory Size				512		Bytes	
Utility ROM Size				8192		Bytes	

16-Bit, RISC, Microcontroller-Based, Smart Data-Acquisition System

MAXQ7666

ELECTRICAL CHARACTERISTICS (continued)

($V_{DD} = DV_{DDIO} = +5.0V$, $DV_{DD} = +3.3V$, $f_{SYSCLK} = 8MHz$, $V_{REFDAC} = V_{REFADC} = +5V$, $T_A = T_{MIN}$ to T_{MAX} , unless otherwise noted. Typical values are at $T_A = +25^{\circ}C$.) (Note 1)

PARAMETER	SYMBOL	CONDITIONS	MIN	TYP	MAX	UNITS
ANALOG SENSE PATH						
Resolution	N _{ADC}	No missing codes	12			Bits
Integral Nonlinearity	INL _{ADC}	Gain = 1, bipolar mode, $V_{IN} = \pm 2500mV$, 500ksps		±0.5	±4.0	LSB
		Gain = 8, unipolar mode, $V_{IN} = +400mV$, 142ksps		±2.0		
		Gain = 16, bipolar mode, $V_{IN} = \pm 156mV$, 142ksps		±2.0	±4.0	
		Gain = 32, bipolar mode, $V_{IN} = \pm 50mV$, 142ksps		±2.0		
Differential Nonlinearity	DNL _{ADC}	Gain = 1, bipolar, $V_{IN} = \pm 2500mV$, 500ksps			±1.0	LSB
		Gain = 16, bipolar, $V_{IN} = \pm 156mV$, 142ksps			±1.0	
		All other gain settings		±0.6		
Offset Error		Input referred		±3.2	±5	mV
Offset-Error Temperature Coefficient				±8		μV/°C
Zero-Code Error		Bipolar, differential measurement of error for ideal ADC output of 0x000		±3.2		mV
Gain Error		Exclude offset and reference error	-1.0		+1.0	%
Gain-Error Temperature Coefficient				±8.5		ppm/°C
Signal-to-Noise Plus Distortion	SINAD	PGA gain = 1V/V		-71		dB
Total Harmonic Distortion	THD	PGA gain = 1V/V		-85		dB
Spurious-Free Dynamic Range	SFDR	PGA gain = 1V/V		-91		dB
Noise		Input referred, gain = 1		0.2		LSB _{RMS}
		Input referred, gain = 32		3.6		
ADC Convert Start Pulse Width		Minimum pulse width on P0.4/ADCCNV or a timer port when triggering the ADC		1		ADC CLK
Conversion Clock Frequency	f _{ADCCLK}	f _{SYSCLK} = 8MHz	0.5		8.0	MHz
Sample Rate	f _{SAMPLE}	PGA gain = 1V/V, R _{SOURCE} ≤ 1kΩ			500	ksps
		Any PGA gain setting > 1V/V, R _{SOURCE} ≤ 5kΩ			142	

16-Bit, RISC, Microcontroller-Based, Smart Data-Acquisition System

ELECTRICAL CHARACTERISTICS (continued)

($V_{DD} = DV_{DDIO} = +5.0V$, $DV_{DD} = +3.3V$, $f_{SYSCLK} = 8MHz$, $V_{REFDAC} = V_{REFADC} = +5V$, $T_A = T_{MIN}$ to T_{MAX} , unless otherwise noted. Typical values are at $T_A = +25^{\circ}C$.) (Note 1)

PARAMETER	SYMBOL	CONDITIONS	MIN	TYP	MAX	UNITS		
Conversion Time	t_{CONV}	t_{ACQ} plus 13 ADCCLK cycles at 8MHz			$t_{ACQ} + 1.625$	μs		
Channel/Gain Select Plus Conversion Time		PGA gain = 1V/V, $R_{SOURCE} \leq 1k\Omega$			2	μs		
		Any PGA gain setting > 1V/V, $R_{SOURCE} \leq 5k\Omega$			7			
Track-and-Hold Acquisition Time	t_{ACQ}	PGA gain = 1V/V, $R_{SOURCE} \leq 1k\Omega$			375	ns		
		Any PGA gain setting > 1V/V, $R_{SOURCE} \leq 5k\Omega$			5			
Turn-On Time	t_{RECOV}			5		μs		
Aperture Delay				30		ns		
Aperture Jitter				50		psp-p		
Input Voltage Range		Unipolar mode	PGA gain = 1V/V	0		AV_{DD}	V	
			PGA gain = 2V/V	0		1.6		
			PGA gain = 4V/V	0		0.8		
			PGA gain = 8V/V	0		0.4		
			PGA gain = 16V/V	0		0.2		
			PGA gain = 32V/V	0		0.1		
		Bipolar mode	PGA gain = 1V/V	$-V_{REFADC}/2$				$+V_{REFADC}/2$
			PGA gain = 2V/V	$-V_{REFADC}/4$				$+V_{REFADC}/4$
			PGA gain = 4V/V	$-V_{REFADC}/8$				$+V_{REFADC}/8$
			PGA gain = 8V/V	$-V_{REFADC}/16$				$+V_{REFADC}/16$
			PGA gain = 16V/V	$-V_{REFADC}/32$				$+V_{REFADC}/32$
			PGA gain = 32V/V	$-V_{REFADC}/64$				$+V_{REFADC}/64$
Absolute Input Voltage Range			AGND		AV_{DD}	V		
Input Leakage Current		A1N15–A1N0		± 20		nA		
Small-Signal Bandwidth (-3dB)		$V_{IN} \times \text{gain} = 100mV_{P-P}$	PGA gain = 1V/V		180	MHz		
			PGA gain = 2V/V		140			
			PGA gain = 4V/V		120			
			PGA gain = 8V/V		100			
			PGA gain = 16V/V		82			
			PGA gain = 32V/V		80			

16-Bit, RISC, Microcontroller-Based, Smart Data-Acquisition System

MAXQ7666

ELECTRICAL CHARACTERISTICS (continued)

($V_{DD} = DV_{DDIO} = +5.0V$, $DV_{DD} = +3.3V$, $f_{SYSCLK} = 8MHz$, $V_{REFDAC} = V_{REFADC} = +5V$, $T_A = T_{MIN}$ to T_{MAX} , unless otherwise noted. Typical values are at $T_A = +25^{\circ}C$.) (Note 1)

PARAMETER	SYMBOL	CONDITIONS	MIN	TYP	MAX	UNITS
Large-Signal Bandwidth (-3dB)		$V_{IN} \times \text{gain} = 3.2V_{P-P}$	PGA gain = 1V/V	180		MHz
			PGA gain = 2V/V	140		
			PGA gain = 4V/V	120		
			PGA gain = 8V/V	100		
			PGA gain = 16V/V	82		
			PGA gain = 32V/V	80		
Input Capacitance		Differential to AGND, any input of AIN0–AIN15	PGA gain = 1V/V	13.6		pF
			PGA gain = 2V/V	2		
			PGA gain = 4V/V	4		
			PGA gain = 8V/V	8		
			PGA gain = 16V/V	16		
			PGA gain = 32V/V	32		
Crosstalk Between Channels		AIN15–AIN0, $V_{IN} = 1V_{P-P}$, 10kHz, $R_{SOURCE} = 5k\Omega$		-80		dB
Input Common-Mode Rejection Ratio	CMRR	AIN15–AIN0 (bipolar, differential), $V_{CM} = 100mV$ to 4.5V	70	88		dB
Power-Supply Rejection Ratio	PSRR	$AV_{DD} = +4.75V$ to $+5.25V$	67	72		dB
DAC SECTION (DACOUT, $R_L = 5k\Omega$ and $C_L = 100pF$)						
Resolution	N_{DAC}	Guaranteed monotonic	12			Bits
Differential Nonlinearity	DNL_{DAC}	Codes 147h to E68h		± 0.4	± 1	LSB
Integral Nonlinearity	INL_{DAC}	Codes 147h to E68h		± 0.5	± 4	LSB
Offset Error		Reference to code 040h		± 2.5	± 30	mV
Offset-Error Temperature Coefficient				± 5		$\mu V/^{\circ}C$
Gain Error		Excludes reference error, tested at E68h		± 3	± 20	LSB
Gain-Error Temperature Coefficient		Excludes offset and reference drift; calculated from FSR		± 2		ppm of FSR/ $^{\circ}C$
DAC Output Range		No load	0		V_{REFDAC}	V
DC Output Impedance	Z_{OUT}	Termination resistance to AGND	DAC enabled	0.5		Ω
			Power-down mode	105		$k\Omega$
Output Slew Rate		400h to C00h code swing, rising or falling		0.6		V/ μs
Output Settling Time		147h to E68h code swing, settling to ± 0.5 LSB (Note 6)		8	15	μs
Output Short-Circuit Current		Short to AGND		27		mA
		Short to AV_{DD}		-46		

16-Bit, RISC, Microcontroller-Based, Smart Data-Acquisition System

ELECTRICAL CHARACTERISTICS (continued)

($V_{DD} = DV_{DDIO} = +5.0V$, $DV_{DD} = +3.3V$, $f_{SYSCLK} = 8MHz$, $V_{REFDAC} = V_{REFADC} = +5V$, $T_A = T_{MIN}$ to T_{MAX} , unless otherwise noted. Typical values are at $T_A = +25^{\circ}C$.) (Note 1)

PARAMETER	SYMBOL	CONDITIONS	MIN	TYP	MAX	UNITS
DAC Glitch Impulse		From 7FFh to 800h		12		nV•s
DAC Power-On Time		Excluding reference, settling to ± 0.5 LSB		14		μs
Power-Supply Rejection		AV_{DD} step from +4.75V to +5.25V, code = E66h		62		$\mu V/V$
Output Noise		$C_L = 200pF$		200		μV_{RMS}
EXTERNAL REFERENCE INPUTS						
REFADC Input Voltage Range			1.0		AV_{DD}	V
REFDAC Input Voltage Range			0		AV_{DD}	V
REFDAC Input Impedance				200		k Ω
REFADC Leakage Current		ADC disabled		1		μA
TEMPERATURE SENSOR (Remote NPN Transistor 2N3904)						
Temperature Error	Internal diode	$T_A = +25^{\circ}C$		± 1		$^{\circ}C$
		$T_A = -30^{\circ}C$ to $+85^{\circ}C$		± 2		
		$T_A = -40^{\circ}C$ to $+125^{\circ}C$		± 5		
	External diode, differential configuration (Note 7)	$T_A = +25^{\circ}C$, $T_{RJ} = +25^{\circ}C$		± 2		
		$T_A = -30^{\circ}C$ to $+85^{\circ}C$, $T_{RJ} = +25^{\circ}C$		± 3		
		$T_A = -40^{\circ}C$ to $+125^{\circ}C$, $T_{RJ} = +25^{\circ}C$		± 3		
		$T_A = -30^{\circ}C$ to $+85^{\circ}C$, $T_{RJ} = -30^{\circ}C$ to $+85^{\circ}C$		± 3		
$T_A = -40^{\circ}C$ to $+125^{\circ}C$, $T_{RJ} = -40^{\circ}C$ to $+125^{\circ}C$		± 5				
Internal (Die) or External Temperature Measurement Error vs. V_{REFADC} Variation			0.095		$^{\circ}C/mV$	
External Diode Source Current	High level			74.7		μA
	Low level			4		
External Diode Drive Current Ratio				18.7:1		
Conversion Time		$f_{ADCCLK} = f_{SYSCLK} = 8MHz$, no interrupts, internal utility ROM tempConv		70		μs
Temperature Resolution		12-bit ADC		0.125		$^{\circ}C/LSB$
+3.3V LINEAR REGULATOR ($C_{DVDD} = 4.7\mu F$)						
DV_{DDIO} Input Voltage Range			4.25	5.0	5.25	V
DV_{DD} Output Voltage		$\overline{REGEN} = GNDIO$	3.0	3.4	3.6	V
DV_{DD} Input Voltage Range		$\overline{REGEN} = DV_{DDIO}$	3.0		3.6	V
No-Load Quiescent Current		CPU in sleep mode; all digital peripherals disabled, no external load, $\overline{REGEN} = GNDIO$		175	250	μA
Output Short-Circuit Current		Short to DGND		110		mA

16-Bit, RISC, Microcontroller-Based, Smart Data-Acquisition System

MAXQ7666

ELECTRICAL CHARACTERISTICS (continued)

($V_{DD} = V_{DDIO} = +5.0V$, $V_{DD} = +3.3V$, $f_{SYSCLK} = 8MHz$, $V_{REFDAC} = V_{REFADC} = +5V$, $T_A = T_{MIN}$ to T_{MAX} , unless otherwise noted. Typical values are at $T_A = +25^{\circ}C$.) (Note 1)

PARAMETER	SYMBOL	CONDITIONS	MIN	TYP	MAX	UNITS	
SUPPLY VOLTAGE SUPERVISORS AND BROWNOUT DETECTION							
DV _{DD} Voltage-Supervisor Reset Rising Threshold		Power-on default, DV _{DD} voltage rising (Note 8)	2.70		2.99	V	
DV _{DD} Voltage-Supervisor Brownout Reset Falling Threshold	V _{VDBR}	DV _{DD} voltage falling, firmware selectable, measured with CPU active at 8MHz (Note 9)	VDBR = 00b (default)	2.70		2.99	V
			VDBR = 01b	2.77		3.06	
			VDBR = 10b	2.84		3.13	
			VDBR = 11b	2.91		3.20	
Software-Selectable DV _{DD} Voltage-Supervisor Brownout Interrupt Falling Threshold	V _{VDBI}	DV _{DD} voltage falling, firmware selectable, measured with CPU active at 8MHz (Note 10)	VDBI = 00b (default)	2.77		2.99	V
			VDBI = 01b	2.84		3.13	
			VDBI = 10b	2.91		3.20	
			VDBI = 11b	2.99		3.27	
DV _{DDIO} Voltage-Supervisor Brownout Interrupt Threshold	V _{VIOWI}	DV _{DDIO} voltage falling, firmware selectable, measured with CPU active at 8MHz (Note 11)	VIOWI = 00b (default)	4.25		4.74	V
			VIOWI = 01b	4.30		4.79	
			VIOWI = 10b	4.35		4.84	
			VIOWI = 11b	4.40		4.89	
Voltage-Supervisor Hysteresis		DV _{DD} , DV _{DDIO}		1		%	
DV _{DD} Brownout-Interrupt to Brownout Reset Falling Threshold		Voltage difference between V _{VDBI} and V _{VDBR} , time allowing software clean-up before \overline{RESET} asserted, VDBI = 11b and VDBR = 10b	155			mV	
Voltage Monitor Supply Voltage Range		DV _{DD}	1.0		3.6	V	
DV _{DD} Ramp-Up Rate		Ensure DV _{DD} rises faster than this rate between +2.7V and +3.0V when using either an external DV _{DD} supply or the internal linear regulator	35			mV/ms	
\overline{RESET} Hold Time		After DV _{DD} rises above the V _{VDBR} voltage trip threshold		10		ms	
CAN INTERFACE							
CAN Baud Rate		CANCLK = 8MHz			1	Mbps	
CANCLK Mean Frequency Error		50ppm external crystal error, 8MHz crystal		60		ppm	
CANCLK Total Frequency Error		50ppm external crystal error, 8MHz crystal, clock divided and measured over 500 μ s interval, mean plus peak cycle jitter		< 0.5		%	
HIGH-FREQUENCY CRYSTAL OSCILLATOR							
Clock Frequency		Using external crystal	7.6		8.12	MHz	
		External clock source	7.6		8.12		

16-Bit, RISC, Microcontroller-Based, Smart Data-Acquisition System

ELECTRICAL CHARACTERISTICS (continued)

(AV_{DD} = DV_{DDIO} = +5.0V, DV_{DD} = +3.3V, f_{SYSCLK} = 8MHz, V_{REFDAC} = V_{REFADC} = +5V, T_A = T_{MIN} to T_{MAX}, unless otherwise noted. Typical values are at T_A = +25°C.) (Note 1)

PARAMETER	SYMBOL	CONDITIONS	MIN	TYP	MAX	UNITS
Crystal Oscillator Startup Time		8MHz crystal		10		ms
External Clock Input Duty Cycle		Ratio high-to-low or low-to-high	45		55	%
Crystal Oscillator Stability		Excluding crystal		3		ppm/V
XIN Input Load Capacitance		HFIC = 00b (default)		7		pF
		HFIC = 01b		18		
		HFIC = 10b		27		
		HFIC = 11b		34		
XOUT Output Load Capacitance		HFIC = 00b (default)		7		pF
		HFIC = 01b		18		
		HFIC = 10b		27		
		HFIC = 11b		34		
Crystal Oscillator Drive Strength		HFOC = 00b (default), ESR = 240Ω		62		μW
		HFOC = 01b, ESR = 240Ω		95		
		HFOC = 10b, ESR = 240Ω		13		
		HFOC = 11b, ESR = 240Ω		23		
XIN Input Low Voltage		Driven with external clock source			0.3 x DV _{DD}	V
XIN Input High Voltage		Driven with external clock source	0.7 x DV _{DD}			V
INTERNAL RC OSCILLATOR						
Oscillator Frequency			7.0	7.6	8.0	MHz
Oscillator Startup Time				10		μs
Oscillator Jitter				2.7		ns
UART (LIN) INTERFACE (UTX, URX)						
UART Baud Rate					2	Mbps
Minimum LIN Mode Operation					1	kbps
Maximum LIN Mode Operation			20			kbps
UART Baud Rates Error		Crystal clock source	-0.5		+0.5	%
		Using internal RC oscillator before autobaud	-14.0		+14.0	
		Using internal RC oscillator after autobaud	-0.5		+0.5	
RESET (RESET)						
$\overline{\text{RESET}}$ Internal Pullup Resistance		Pullup to DV _{DD}		305		kΩ
$\overline{\text{RESET}}$ Output Voltage		High, $\overline{\text{RESET}}$ deasserted, no load	0.9 x DV _{DD}			V
		Low, $\overline{\text{RESET}}$ asserted, no load			0.4	
$\overline{\text{RESET}}$ Input High Voltage			0.7 x DV _{DD}			V
$\overline{\text{RESET}}$ Input Low Voltage					0.3 x DV _{DD}	V

16-Bit, RISC, Microcontroller-Based, Smart Data-Acquisition System

MAXQ7666

ELECTRICAL CHARACTERISTICS (continued)

($V_{DD} = DV_{DDIO} = +5.0V$, $DV_{DD} = +3.3V$, $f_{SYSCLK} = 8MHz$, $V_{REFDAC} = V_{REFADC} = +5V$, $T_A = T_{MIN}$ to T_{MAX} , unless otherwise noted. Typical values are at $T_A = +25^{\circ}C$.) (Note 1)

PARAMETER	SYMBOL	CONDITIONS	MIN	TYP	MAX	UNITS
DIGITAL INPUTS (P0., CANRXD, URX, REGEN)						
Input Low Voltage					0.3 x DV_{DDIO}	V
Input High Voltage			0.7 x DV_{DDIO}			V
Input Hysteresis				500		mV
Input Leakage Current		$V_{IN} = GNDIO$ or DV_{DDIO} , pullup disabled	-1	± 0.01	+1	μA
Input Pullup Resistance		Pullup to DV_{DDIO}		400		$k\Omega$
Input Capacitance		$V_{IN} = GNDIO$ or DV_{DDIO}		15		pF
DIGITAL OUTPUTS (P0., CANTXD, UTX)						
Output Low Voltage		$I_{SINK} = 1.6mA$			0.4	V
Output High Voltage		$I_{SOURCE} = 1.6mA$	$DV_{DDIO} - 0.5$			V
Output Leakage Current		I/Os three-stated	-1	± 0.01	+1	μA
Output Capacitance		I/Os three-stated		15		pF
Output Short-Circuit Current		Short to $DV_{DDIO} = +5.25V$		-29		mA
		Short to GNDIO		28		

Note 1: All devices are 100% production tested at $T_A = +25^{\circ}C$.

Note 2: All analog functions disabled and all digital inputs connected to DV_{DDIO} or GNDIO.

Note 3: High-speed mode: CPU and three timers running at 8MHz from an external crystal oscillator, CAN enabled and communicating at 500kbps, all other peripherals disabled, all digital I/Os static at DV_{DDIO} or GNDIO.

Note 4: CAN transmitting at 500kbps, one timer output at 500kHz, all active I/Os are loaded with 20pF capacitor, all remaining digital I/Os are at DV_{DDIO} or GNDIO.

Note 5: Utility ROM software supports a range of data flash sizes up to 256 x 16 (512 bytes). Refer to the MAXQ7665/MAXQ7666 *User's Guide* for details.

Note 6: Guaranteed by design and characterization.

Note 7: Based on diode ideality factor of 1.008.

Note 8: DV_{DD} must rise above V_{VDBR} for \overline{RESET} to become deasserted. **Caution:** Operation is not guaranteed for DV_{DD} below +2.7V (utility ROM) or +3.0V (flash).

Note 9: \overline{RESET} is asserted if DV_{DD} falls below V_{VDBR} . **Caution:** Operation is not guaranteed for DV_{DD} below +2.7V (utility ROM) or +3.0V (flash).

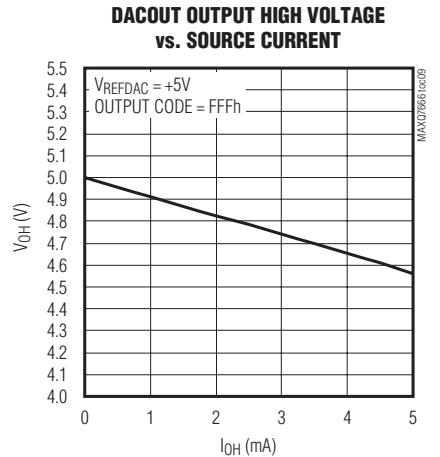
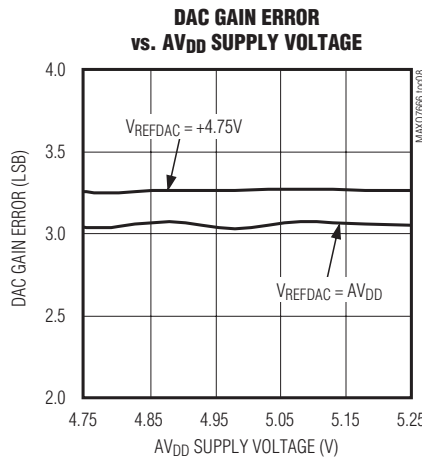
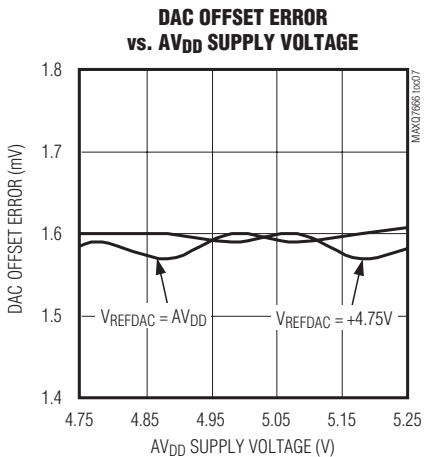
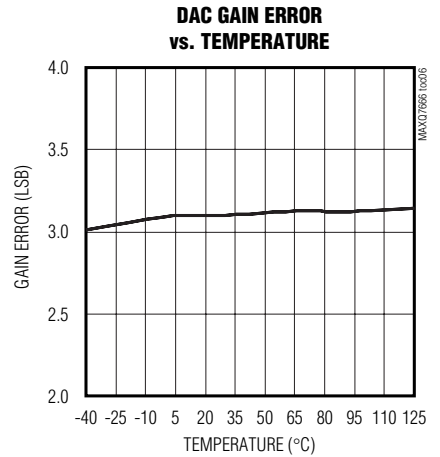
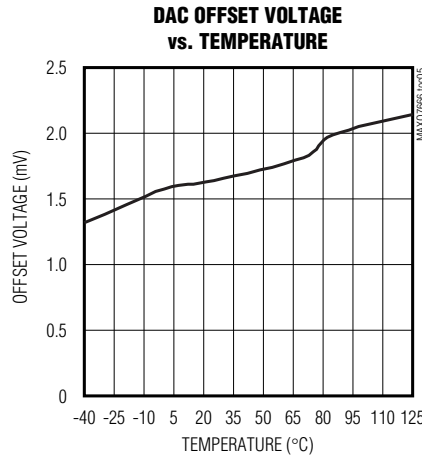
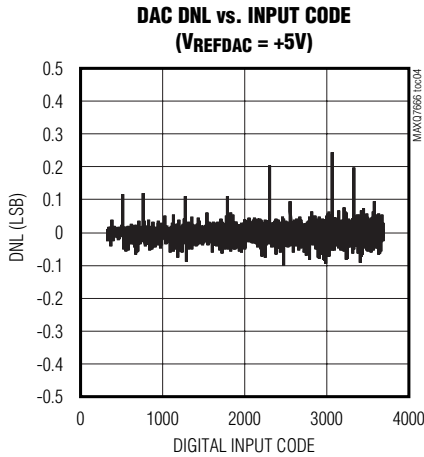
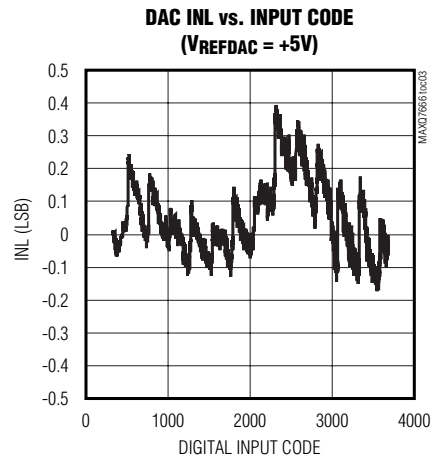
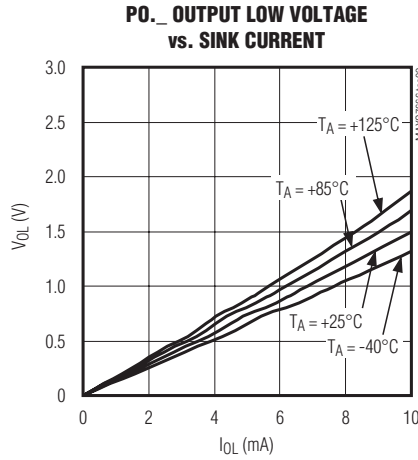
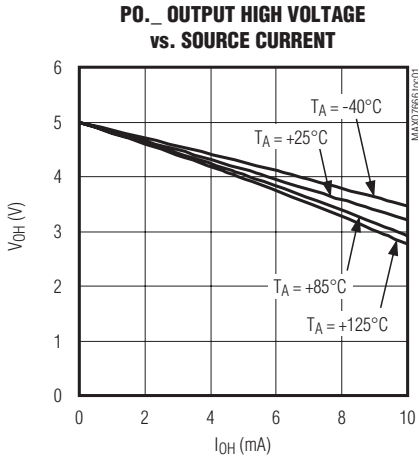
Note 10: An interrupt is generated if DV_{DD} falls below V_{VDBI} . **Caution:** Operation is not guaranteed for DV_{DD} below +2.7V (utility ROM) or +3.0V (flash).

Note 11: An interrupt is generated if DV_{DDIO} falls below V_{VIOBI} . **Caution:** Operation is not guaranteed if DV_{DDIO} or AV_{DD} is below 4.75V, except for the DV_{DDIO} brownout monitor and +3.3V linear regulator, that still operate down to 0V and +4.25V, respectively.

16-Bit, RISC, Microcontroller-Based, Smart Data-Acquisition System

Typical Operating Characteristics

($V_{DD} = DV_{DDIO} = +5.0V$, $DV_{DD} = +3.3V$, $f_{ADCCLK} = 8MHz$, $f_{ADC} = 500kHz$, $T_A = +25^\circ C$, unless otherwise noted.)

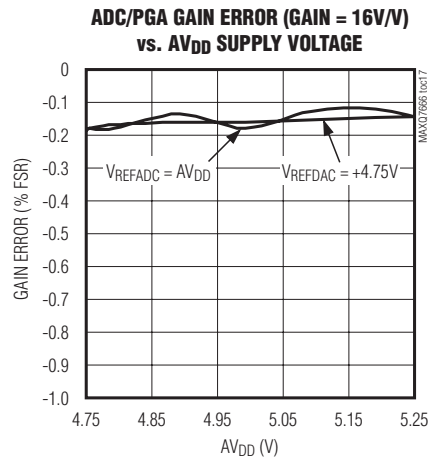
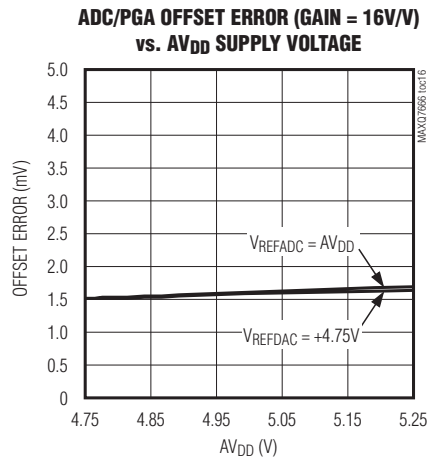
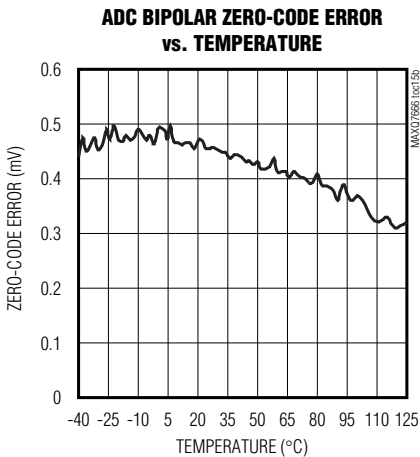
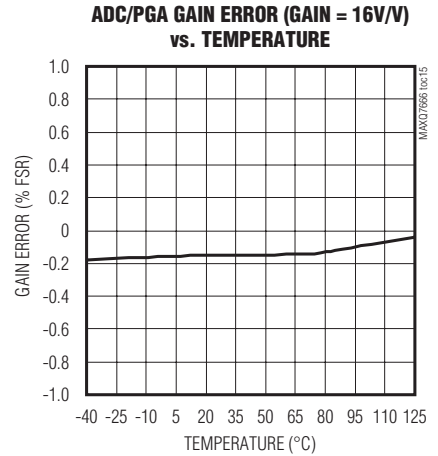
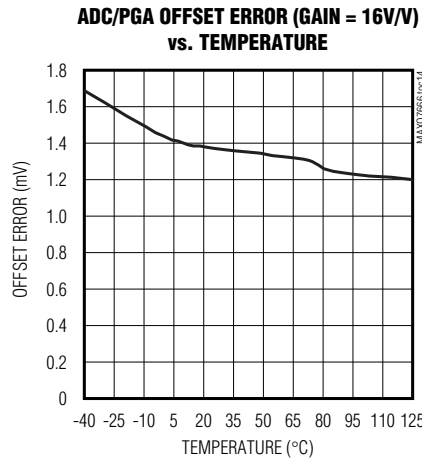
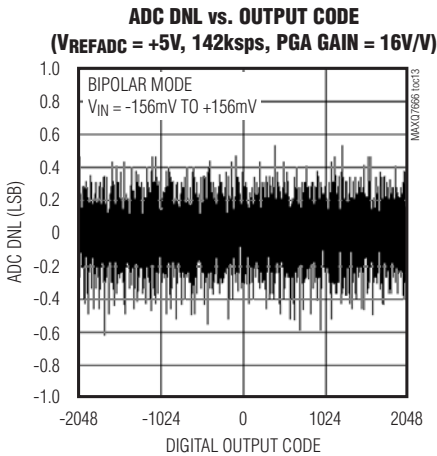
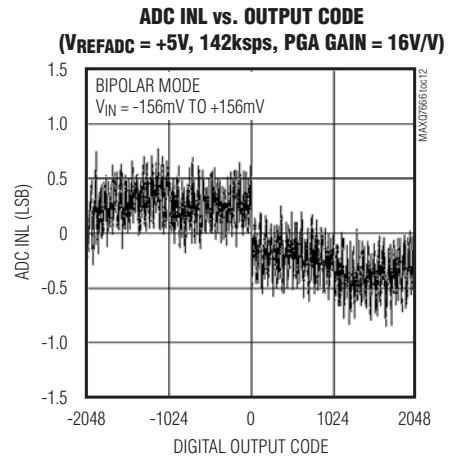
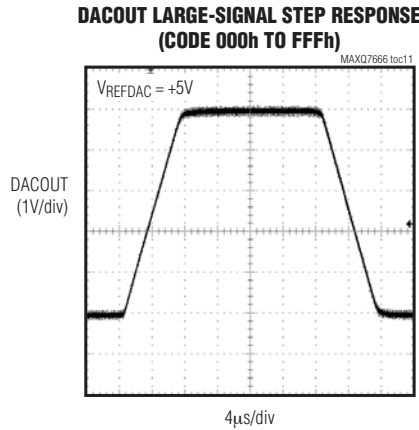
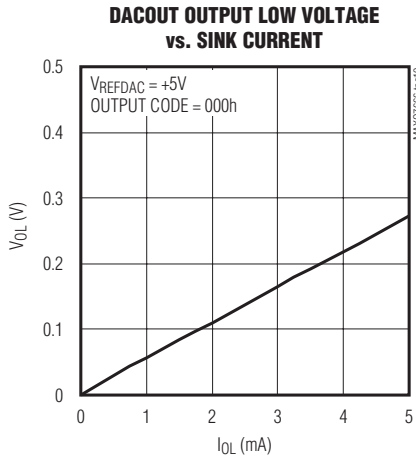


16-Bit, RISC, Microcontroller-Based, Smart Data-Acquisition System

MAXQ7666

Typical Operating Characteristics (continued)

($AV_{DD} = DV_{DDIO} = +5.0V$, $DV_{DD} = +3.3V$, $f_{ADCCLK} = 8MHz$, $f_{ADC} = 500kHz$, $T_A = +25^\circ C$, unless otherwise noted.)

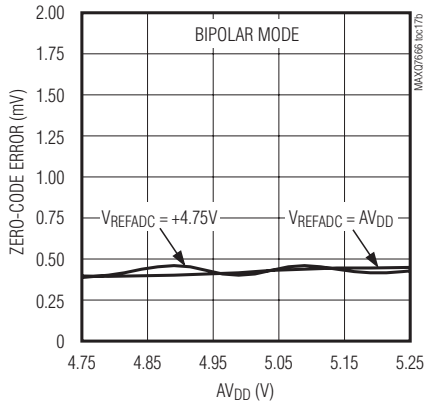


16-Bit, RISC, Microcontroller-Based, Smart Data-Acquisition System

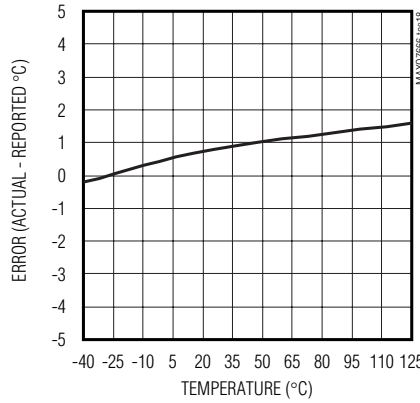
Typical Operating Characteristics (continued)

($AV_{DD} = DV_{DDIO} = +5.0V$, $DV_{DD} = +3.3V$, $f_{ADCCLK} = 8MHz$, $f_{ADC} = 500kHz$, $T_A = +25^{\circ}C$, unless otherwise noted.)

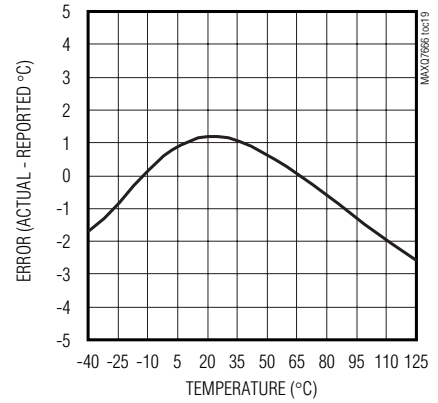
ADC/PGA ZERO-CODE ERROR (GAIN = 16V/V) vs. AV_{DD} SUPPLY VOLTAGE



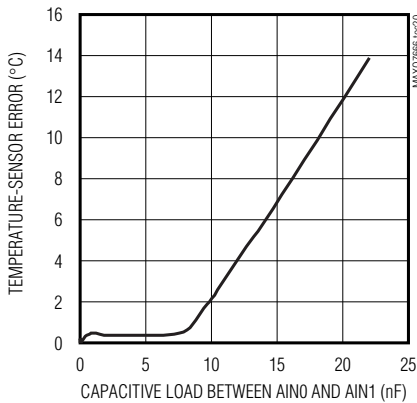
INTERNAL DIODE TEMPERATURE-SENSOR ERROR vs. TEMPERATURE



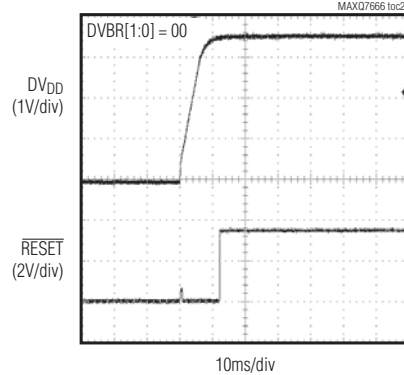
EXTERNAL DIODE TEMPERATURE-SENSOR ERROR vs. TEMPERATURE



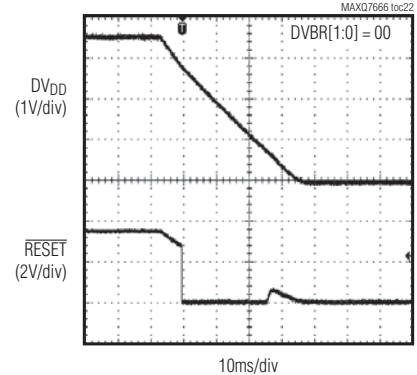
EXTERNAL TEMPERATURE-SENSOR ERROR DUE TO CAPACITIVE LOADING



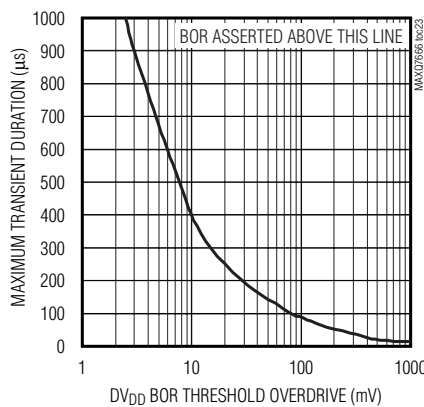
DV_{DD} , RESET POWER-UP CHARACTERISTICS



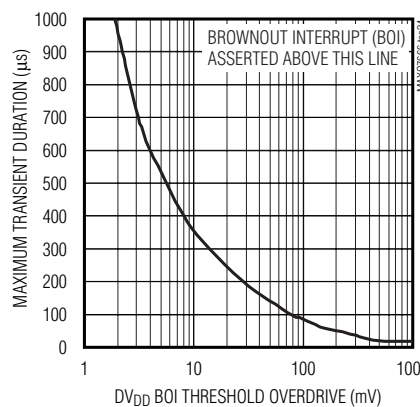
DV_{DD} , RESET POWER-DOWN CHARACTERISTICS



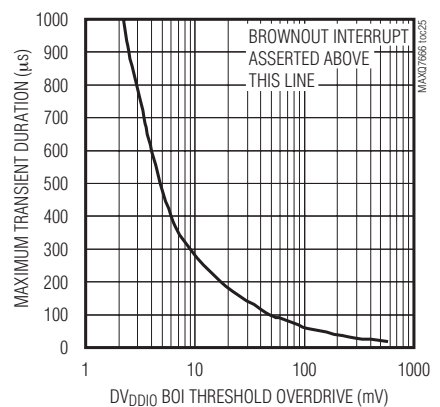
MAXIMUM DV_{DD} TRANSIENT DURATION vs. BOR THRESHOLD OVERDRIVE



MAXIMUM DV_{DD} TRANSIENT DURATION vs. BOI THRESHOLD OVERDRIVE



MAXIMUM DV_{DDIO} TRANSIENT DURATION vs. BOI THRESHOLD OVERDRIVE



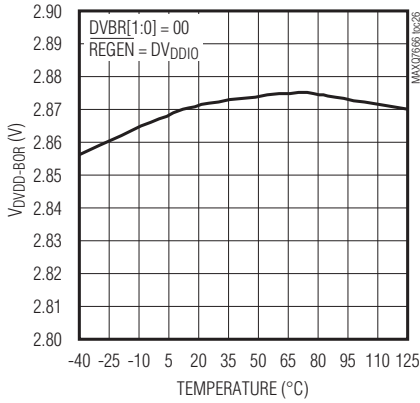
16-Bit, RISC, Microcontroller-Based, Smart Data-Acquisition System

MAXQ7666

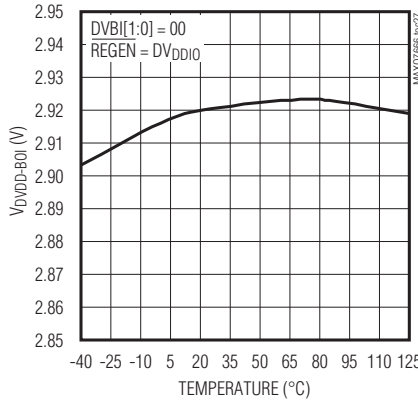
Typical Operating Characteristics (continued)

($V_{DD} = V_{DDIO} = +5.0V$, $V_{DD} = +3.3V$, $f_{ADCCCLK} = 8MHz$, $f_{ADC} = 500kHz$, $T_A = +25^\circ C$, unless otherwise noted.)

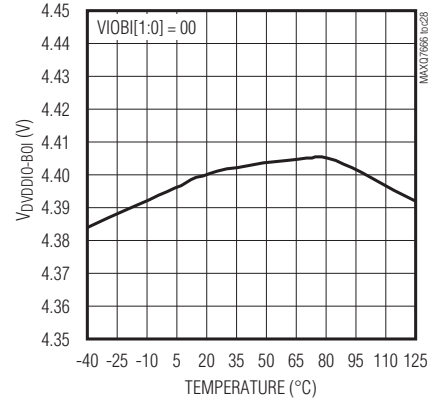
DV_{DD} BOR THRESHOLD VOLTAGE vs. TEMPERATURE



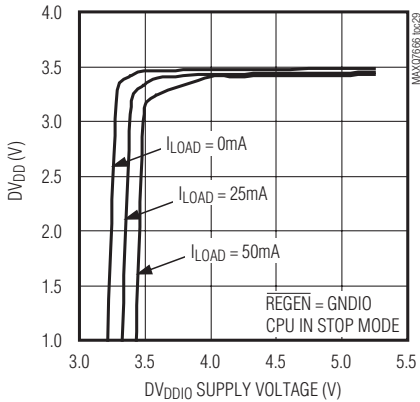
DV_{DD} BOI THRESHOLD VOLTAGE vs. TEMPERATURE



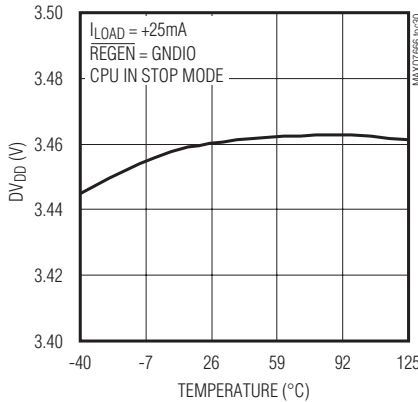
DV_{DDIO} BOI THRESHOLD VOLTAGE vs. TEMPERATURE



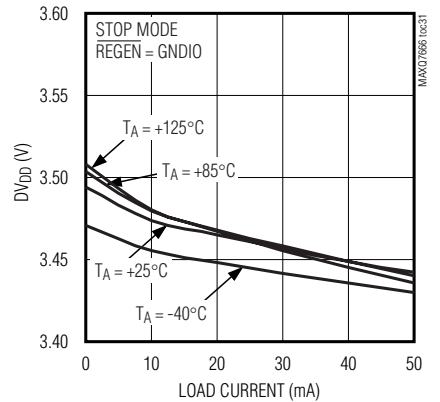
DV_{DD} LINEAR REGULATOR OUTPUT VOLTAGE vs. DV_{DDIO} SUPPLY VOLTAGE



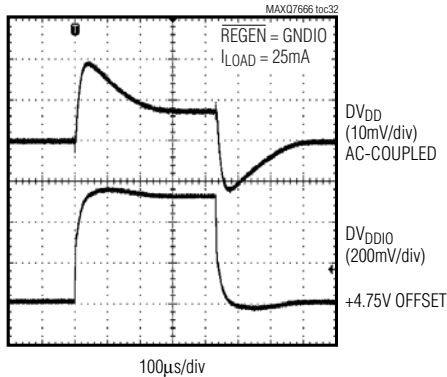
DV_{DD} LINEAR REGULATOR OUTPUT VOLTAGE vs. TEMPERATURE



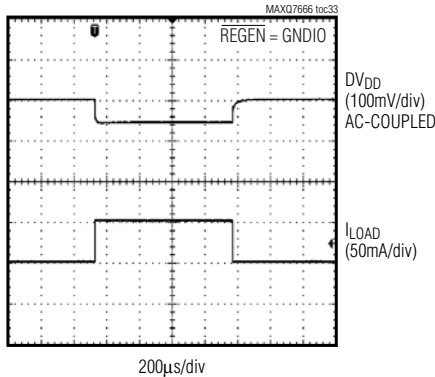
DV_{DD} LINEAR REGULATOR OUTPUT VOLTAGE vs. LOAD CURRENT



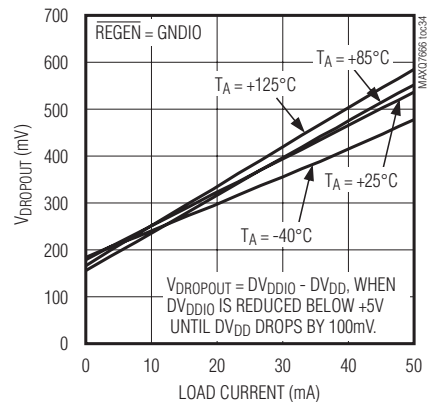
DV_{DD} LINEAR REGULATOR OUTPUT VOLTAGE LINE-TRANSIENT RESPONSE (DV_{DDIO} = +4.75V TO +5.25V STEP)



DV_{DD} LINEAR REGULATOR OUTPUT VOLTAGE LOAD-TRANSIENT RESPONSE (I_{DVDD} = 0 TO 50mA STEP)



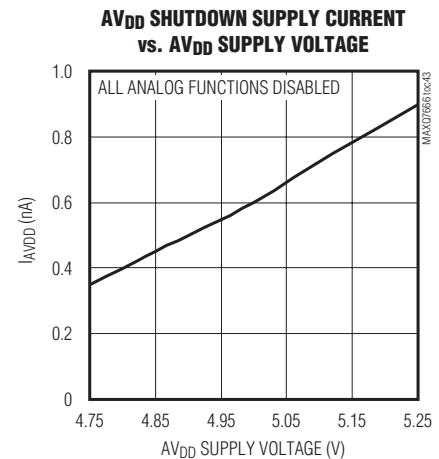
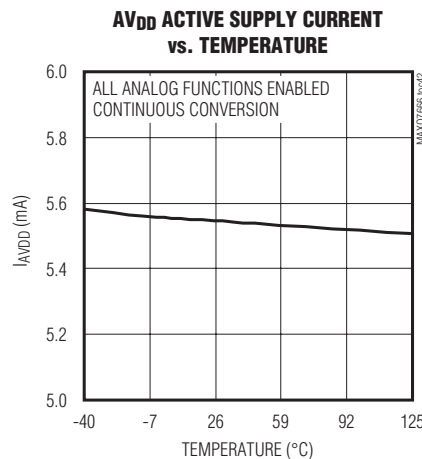
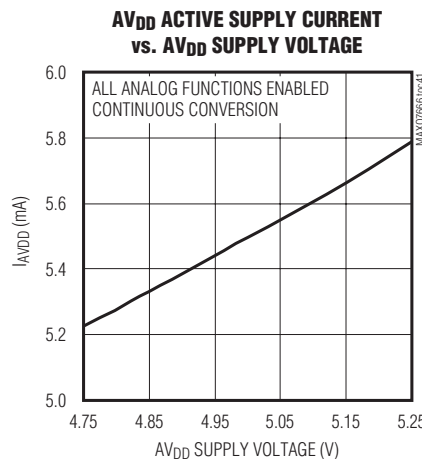
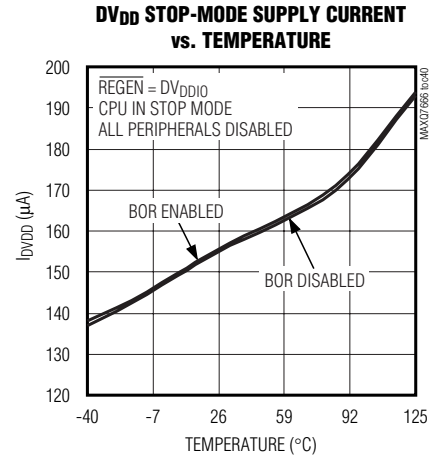
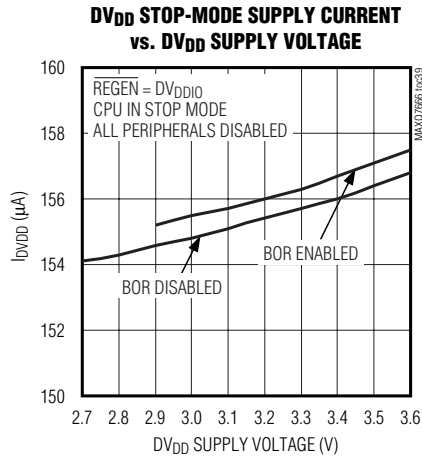
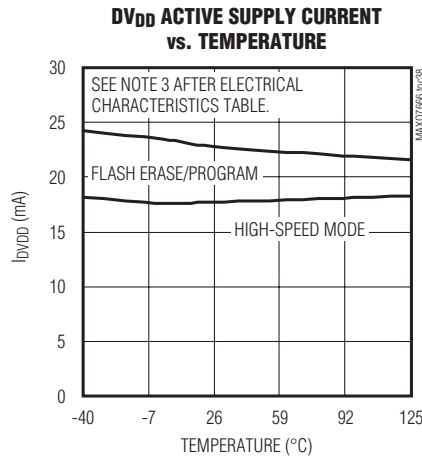
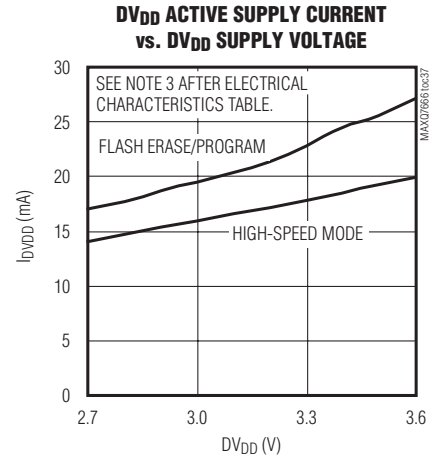
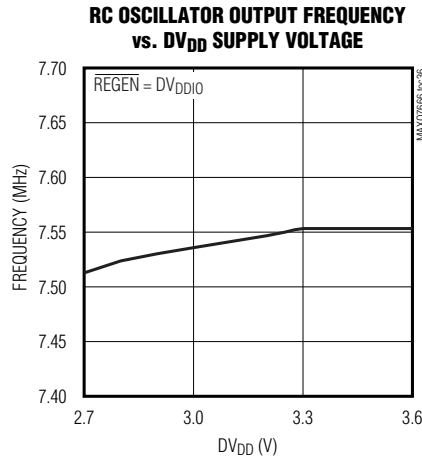
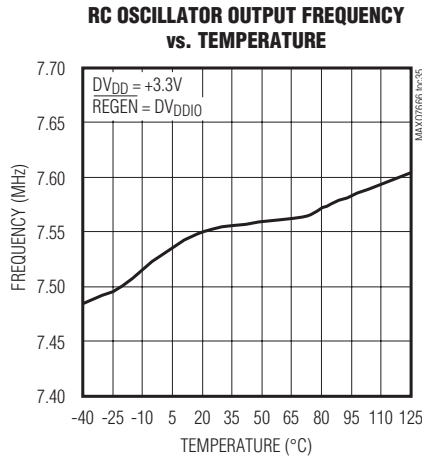
DV_{DD} LINEAR REGULATOR DROPOUT VOLTAGE vs. LOAD CURRENT



16-Bit, RISC, Microcontroller-Based, Smart Data-Acquisition System

Typical Operating Characteristics (continued)

($V_{DD} = V_{DDIO} = +5.0V$, $V_{DD} = +3.3V$, $f_{ADCCLK} = 8MHz$, $f_{ADC} = 500kHz$, $T_A = +25^\circ C$, unless otherwise noted.)



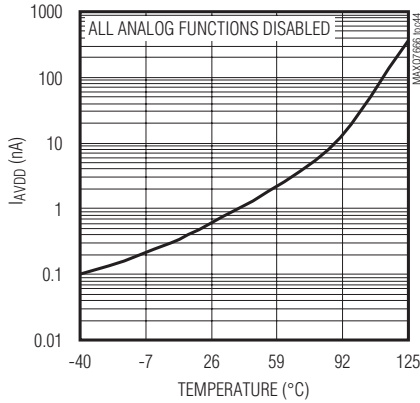
16-Bit, RISC, Microcontroller-Based, Smart Data-Acquisition System

MAXQ7666

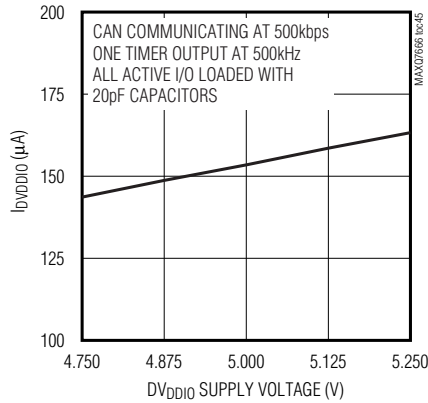
Typical Operating Characteristics (continued)

($AV_{DD} = DV_{DDIO} = +5.0V$, $DV_{DD} = +3.3V$, $f_{ADCCLK} = 8MHz$, $f_{ADC} = 500kHz$, $T_A = +25^{\circ}C$, unless otherwise noted.)

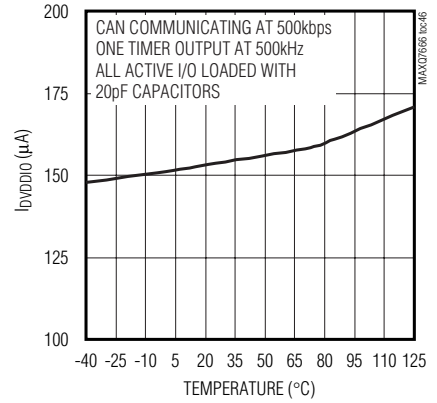
AV_{DD} SHUTDOWN SUPPLY CURRENT vs. TEMPERATURE



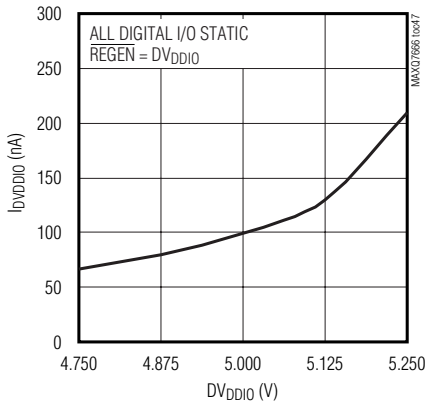
DV_{DDIO} DYNAMIC SUPPLY CURRENT vs. DV_{DDIO} SUPPLY VOLTAGE



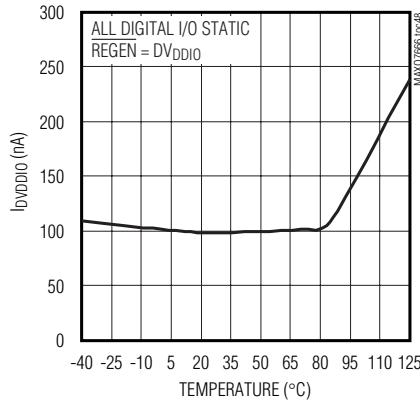
DV_{DDIO} DYNAMIC SUPPLY CURRENT vs. TEMPERATURE



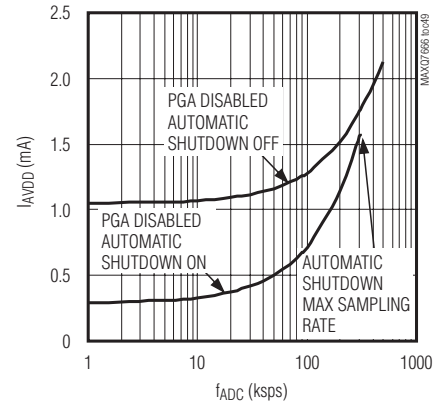
DV_{DDIO} STATIC SUPPLY CURRENT vs. DV_{DDIO} SUPPLY VOLTAGE



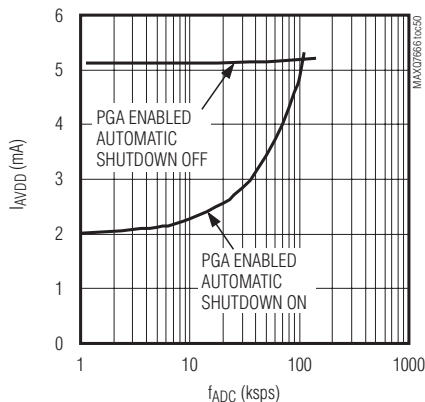
DV_{DDIO} STATIC SUPPLY CURRENT vs. TEMPERATURE



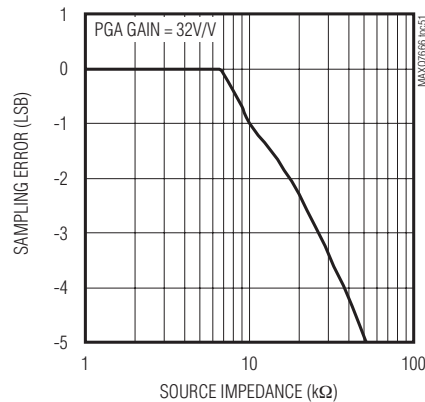
AV_{DD} SUPPLY CURRENT vs. ADC SAMPLING RATE



AV_{DD} SUPPLY CURRENT vs. ADC SAMPLING RATE (PGA ENABLED)



SAMPLING ERROR vs. INPUT SOURCE IMPEDANCE



16-Bit, RISC, Microcontroller-Based, Smart Data-Acquisition System

Pin Description

PIN	NAME	FUNCTION
1	AIN11	Analog Input Channel 11. AIN11 is multiplexed to the PGA as a differential input with AIN10.
2	AIN10	Analog Input Channel 10. AIN10 is multiplexed to the PGA as a differential input with AIN11.
3	AIN9	Analog Input Channel 9. AIN9 is multiplexed to the PGA as a differential input with AIN8.
4	AIN8	Analog Input Channel 8. AIN8 is multiplexed to the PGA as a differential input with AIN9.
5, 8	AGND	Analog Ground. Connect all AGND nodes together. Connect to DGND at a single point.
6	REFADC	ADC External Reference Input. Connect an external reference voltage between 1V and AV _{DD} to REFADC.
7	REFDAC	DAC External Reference Input. Connect an external reference voltage between 0V and AV _{DD} to REFDAC.
9	AIN7	Analog Input Channel 7. AIN7 is multiplexed to the PGA as a differential input with AIN6.
10	AIN6	Analog Input Channel 6. AIN6 is multiplexed to the PGA as a differential input with AIN7.
11	AIN5	Analog Input Channel 5. AIN5 is multiplexed to the PGA as a differential input with AIN4.
12	AIN4	Analog Input Channel 4. AIN4 is multiplexed to the PGA as a differential input with AIN5.
13	AIN3	Analog Input Channel 3. AIN3 is multiplexed to the PGA as a differential input with AIN2. AIN3–AIN0 have external temperature sensor capability.
14	AIN2	Analog Input Channel 2. AIN2 is multiplexed to the PGA as a differential input with AIN3. AIN3–AIN0 have external temperature sensor capability.
15	AIN1	Analog Input Channel 1. AIN1 is multiplexed to the PGA as a differential input with AIN0. AIN3–AIN0 have external temperature sensor capability.
16	AIN0	Analog Input Channel 0. AIN0 is multiplexed to the PGA as a differential input with AIN1. AIN3–AIN0 have external temperature sensor capability.
17	DACOUT	DAC Buffer Output. DACOUT is the DAC voltage buffer output.
18, 19, 31	DGND	Digital Ground for the Digital Core and Flash. Connect all DGND nodes together. Connect to AGND at a single point.
20	CANRXD	CAN Bus Receiver Input. Control area network receiver input.
21	CANTXD	CAN Bus Transmitter Output. Control area network transmitter output.
22	UTX	UART or LIN Transmitter Output
23	URX	UART or LIN Receiver Input
24	P0.6/T0	Port 0 Bit 6/Timer 0. P0.6 is a general-purpose digital I/O with interrupt/wake-up input capability. T0 is a primary timer/PWM input or output. Refer to the <i>MAXQ7665/MAXQ7666 User's Guide</i> sections 7 and 8.
25	P0.7/T1	Port 0 Bit 7/Timer 1. P0.7 is a general-purpose digital I/O with interrupt/wake-up input capability. T1 is a primary timer/PWM input or output. Refer to the <i>MAXQ7665/MAXQ7666 User's Guide</i> sections 7 and 8.
26, 39	DV _{DDIO}	Digital I/O Supply Voltage. Supplies all digital I/O except for XIN, XOUT, and $\overline{\text{RESET}}$. Bypass DV _{DDIO} to GNDIO with a 0.1 μ F capacitor placed as close as possible to the device. DV _{DDIO} also connects to the input of the linear regulator.
27	GNDIO	Digital I/O Ground. Connect all grounds together at a single point.
28, 29	I.C.	Internal Connection. Connect I.C. to GNDIO or DV _{DDIO} .
30	I.C.	Internal Connection. Leave unconnected or connect to DV _{DDIO} .

16-Bit, RISC, Microcontroller-Based, Smart Data-Acquisition System

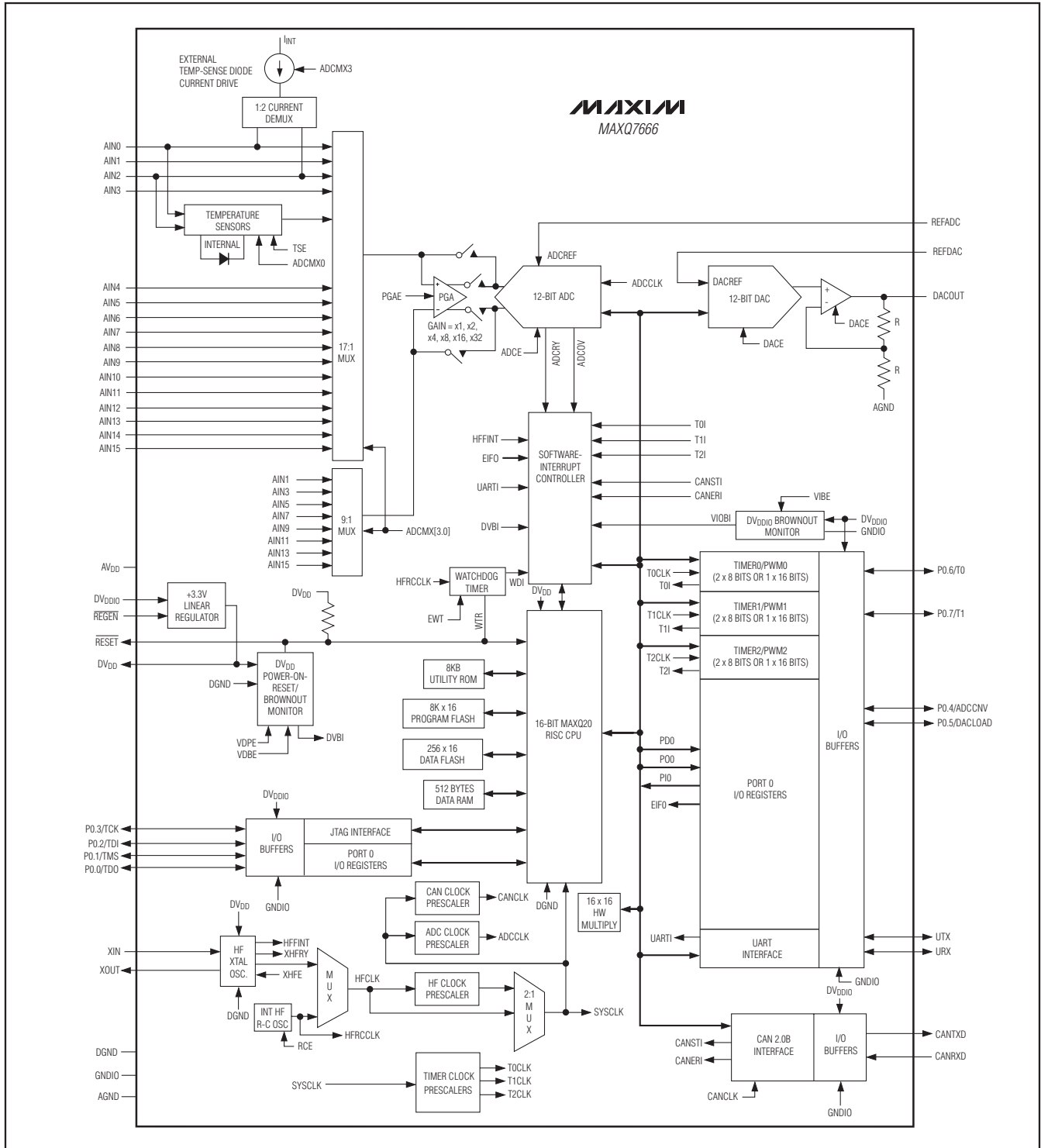
Pin Description (continued)

MAXQ7666

PIN	NAME	FUNCTION
32	P0.0/TDO	Port 0 Data 0/JTAG Serial Test Data Output. P0.0 is a general-purpose digital I/O with interrupt/wake-up capability. TDO is the JTAG serial test, data output. Refer to the <i>MAXQ7665/MAXQ7666 User's Guide</i> sections 8 and 10.
33	P0.1/TMS	Port 0 Data 1/JTAG Test Mode Select. P0.1 is a general-purpose digital I/O with interrupt/wake-up capability. TMS is the JTAG test mode select input. Refer to the <i>MAXQ7665/MAXQ7666 User's Guide</i> sections 8 and 10.
34	P0.2/TDI	Port 0 Data 2/JTAG Serial Test Data Input. P0.2 is a general-purpose digital I/O with interrupt/wake-up capability. TDI is the JTAG serial test, data input. Refer to the <i>MAXQ7665/MAXQ7666 User's Guide</i> sections 8 and 10.
35	P0.3/TCK	Port 0 Data 3/JTAG Serial Test Clock Input. P0.3 is a general-purpose digital I/O with interrupt/wake-up capability. TCK is the JTAG serial test, clock input. Refer to the <i>MAXQ7665/MAXQ7666 User's Guide</i> sections 8 and 10.
36	P0.4/ADCCNV	Port 0 Data 4/ADC Start Conversion Control. P0.4 is a general-purpose digital I/O with interrupt/wake-up capability. ADCCNV is firmware configurable for a rising or falling edge start/convert to trigger ADC conversions. Refer to the <i>MAXQ7665/MAXQ7666 User's Guide</i> sections 3 and 8.
37	P0.5/DACLOAD	Port 0 Data 5/DAC Data Register Load/Update Input. P0.5 is a general-purpose digital I/O with interrupt/wake-up capability. DACLOAD is firmware configurable for a rising or falling edge to update the DACOUT register. Refer to the <i>MAXQ7665/MAXQ7666 User's Guide</i> sections 3 and 8.
38	$\overline{\text{REGEN}}$	Active-Low Linear Regulator Enable Input. Connect $\overline{\text{REGEN}}$ to GNDIO to enable the linear regulator. Connect $\overline{\text{REGEN}}$ to DVDDIO to disable the linear regulator.
40	DVDD	Digital Supply Voltage. DVDD supplies the internal digital core and flash memory. DVDD is internally connected to the output of the internal 3.3V linear regulator. Disable the internal regulator to connect DVDD to an external supply. When using the on-chip linear regulator, bypass DVDD to DGND with a 4.7 μF $\pm 20\%$ capacitor with a maximum ESR of 0.5 Ω . In addition, bypass DVDD with a 0.1 μF capacitor. Place both bypass capacitors as close as possible to the device.
41	$\overline{\text{RESET}}$	Reset Input and Output. Active-low open-drain input/output with internal 305k Ω (typ) pullup to DVDD. Drive low to reset the μC . $\overline{\text{RESET}}$ is low during power-up reset and during DVDD brownout conditions.
42	XOUT	High-Frequency Crystal Output. Connect an external crystal to XIN and XOUT for normal operation. Leave XOUT unconnected if XIN is driven with an external clock source. XOUT is not driven when using the internal RC oscillator.
43	XIN	High-Frequency Crystal Input. Connect an external crystal or resonator to XIN and XOUT for normal operation, or drive XIN with an external clock source. XIN is not driven when using the internal RC oscillator.
44	AVDD	Analog Supply Voltage Input. Connect AVDD to a +5V supply. Bypass AVDD to AGND with a 0.1 μF capacitor placed as close as possible to the device.
45	AIN15	Analog Input Channel 15. AIN15 is multiplexed to the PGA as a differential input with AIN14.
46	AIN14	Analog Input Channel 14. AIN14 is multiplexed to the PGA as a differential input with AIN15.
47	AIN13	Analog Input Channel 13. AIN13 is multiplexed to the PGA as a differential input with AIN12.
48	AIN12	Analog Input Channel 12. AIN12 is multiplexed to the PGA as a differential input with AIN13.
—	EP	Exposed Pad. EP is internally connected to AGND. Connect EP to AGND externally.

16-Bit, RISC, Microcontroller-Based, Smart Data-Acquisition System

Block Diagram



16-Bit, RISC, Microcontroller-Based, Smart Data-Acquisition System

Detailed Description

The 16-bit RISC core (MAXQ20) of the MAXQ7666 controls the analog and digital peripheral functions. The 16-bit RISC ALU addresses 16KB (8K x 16) program flash, up to 512 bytes (256 x 16) data flash and 512 bytes (256 x 16) of RAM memory with Harvard memory architecture. The MAXQ7666 peripheral components include a precision 12-bit 500ksps ADC with an 8-channel differential mux and PGA, a 12-bit precision DAC, an internal temperature sensor, an external temperature-sensor driver, a hardware multiplier, eight digital I/Os, a controller area network (CAN 2.0B) bus, a JTAG interface, and three type-2 timers. An internal 7.6MHz RC oscillator or a crystal oscillator driving an external crystal of 8MHz provide the system clock. The device

also includes a +3.3V linear regulator, watchdog timer, and two power-supply supervisors.

The MAXQ20 offers a low < 3mA/MIPS ratio. The integrated 16-bit x 16-bit hardware multiplier with accumulator performs single-cycle computations. Refer to the *MAXQ7665/MAXQ7666 User's Guide* for more detailed information on configuring and programming the MAXQ7666.

Analog Input Peripheral

The integrated 12-bit ADC employs an ultra-low-power, high-precision, SAR-based conversion method and operates up to 500ksps (142ksps with PGA ≥ 2). The ADC measures eight fully differential multiplexed analog inputs with software-selectable input ranges through a PGA. See Figure 1.

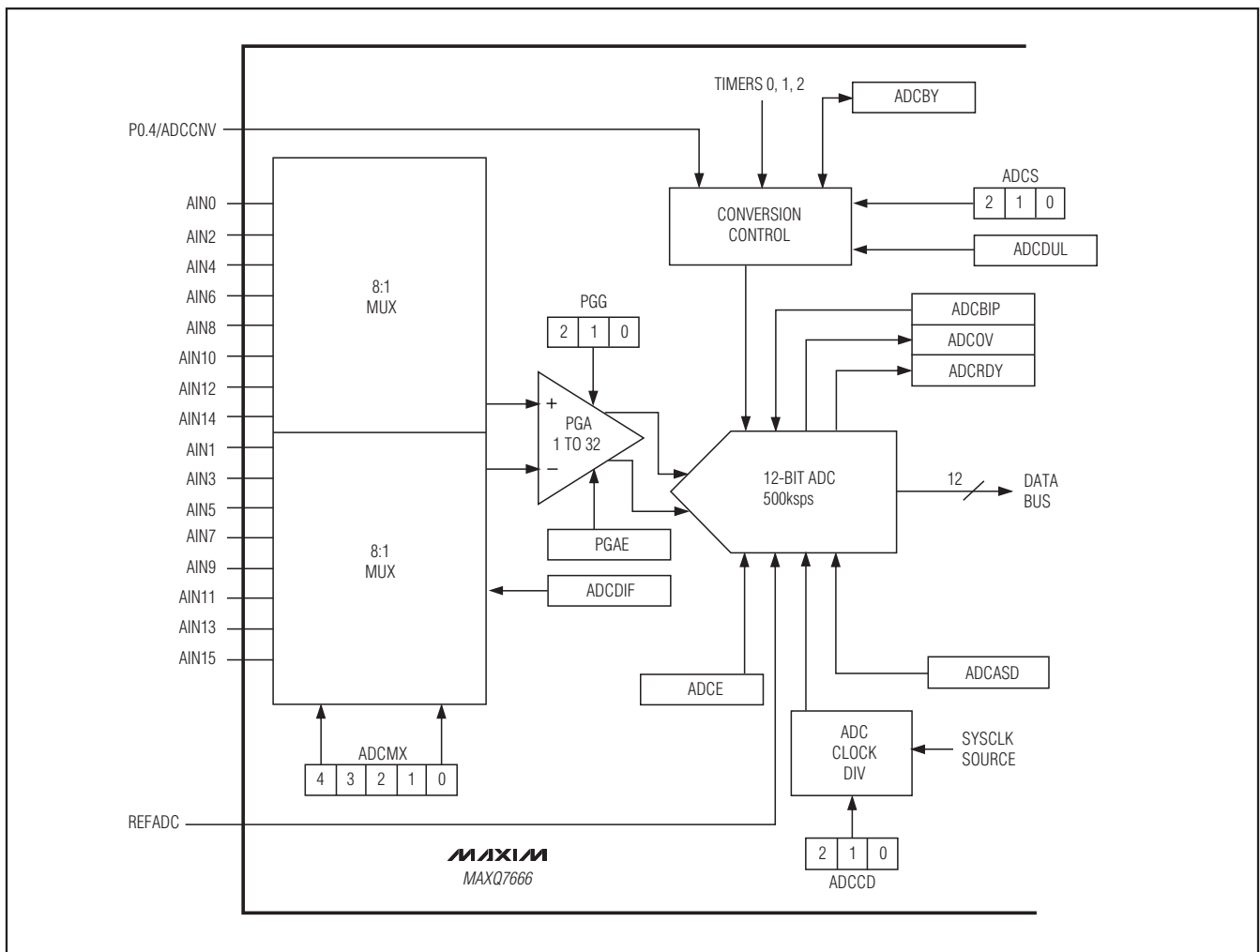


Figure 1. Simplified Analog Input Diagram (Eight Fully Differential Inputs)

16-Bit, RISC, Microcontroller-Based, Smart Data-Acquisition System

The MAXQ7666 ADC converts temperature and voltage signals into a 12-bit digital result using a fully differential SAR conversion technique and an on-chip T/H block. An analog input channel mux supports 8 differential channels. The differential analog inputs are selected from the following pairs: AIN0/AIN1, AIN2/AIN3, AIN4/AIN5, AIN6/AIN7, AIN8/AIN9, AIN10/AIN11, AIN12/AIN13, and AIN14/AIN15.

External temperature-sensor configuration in differential mode uses analog input channel pairs AIN2/AIN3 and AIN0/AIN1. Use AIN0 and AIN2 in single-ended external temperature-sensor configuration. Internal temperature-sensor configuration measures internal die temperature and does not use any analog input channel.

There are four ways to control the ADC conversion timing:

- 1) Software register bit control
- 2) Continuous conversion
- 3) Internal timers (T0, T1, or T2)
- 4) External input through pin ADCCNV

Refer to the *MAXQ7665/MAXQ7666 User's Guide* for more detailed information on the ADC and mux.

12-Bit Digital-to-Analog Converter (DAC)

The MAXQ7666 contains a 12-bit voltage-output DAC with an output buffer. The data path to the DAC is double buffered. Update the DAC output register using the DACLOAD digital input or software. Refer to the *MAXQ7665/MAXQ7666 User's Guide* for detailed programming information. The DAC also supports a square-wave-output toggle mode with precise amplitude control for applications that require pulse-amplitude modulation (PAM) and/or pulse-width modulation (PWM) signals. See Figure 2 for a simplified block diagram of the DAC.

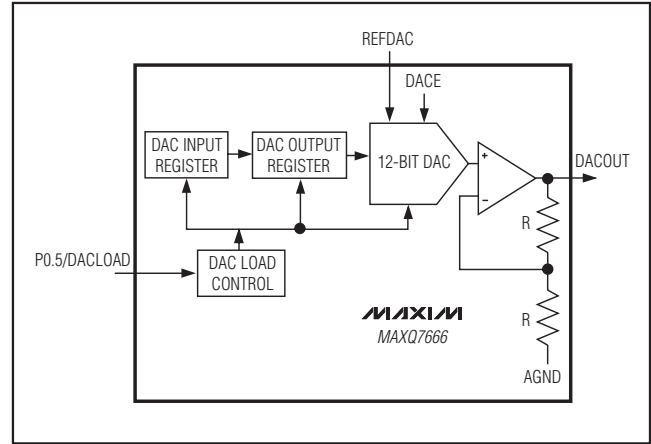


Figure 2. Simplified DAC Diagram

The DAC output buffer is configured as a voltage follower (gain of 1V/V from REF DAC). Disable the buffer using software. When the buffer is disabled, the output is connected internally to AGND through a 100k Ω resistor. The reference input REF DAC accepts an input voltage of less than or equal to AVDD for a maximum output swing of 0V to AVDD.

Temperature Sensor

The internal ADC and a ROM-based tempConv subroutine measure temperature. Use the tempConv subroutine to initiate a measurement (refer to the *MAXQ7665/MAXQ7666 User's Guide* for detailed information). The device supports conversions of two external and one internal temperature sensor. The external temperature sensor is typically a diode-connected small-signal transistor, connected between two analog inputs (differential) or one analog input and AGND (single-ended). Figures 3 and 4 illustrate these two configurations.

16-Bit, RISC, Microcontroller-Based, Smart Data-Acquisition System

MAXQ7666

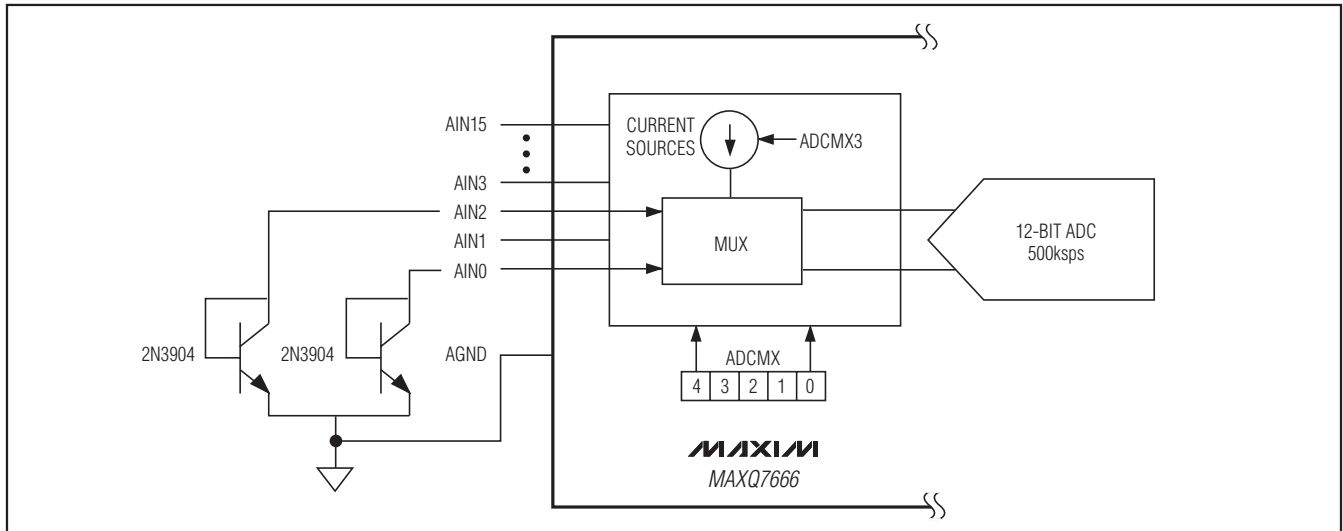


Figure 3. Temperature-Sensor Application Circuit—Single-Ended Configuration

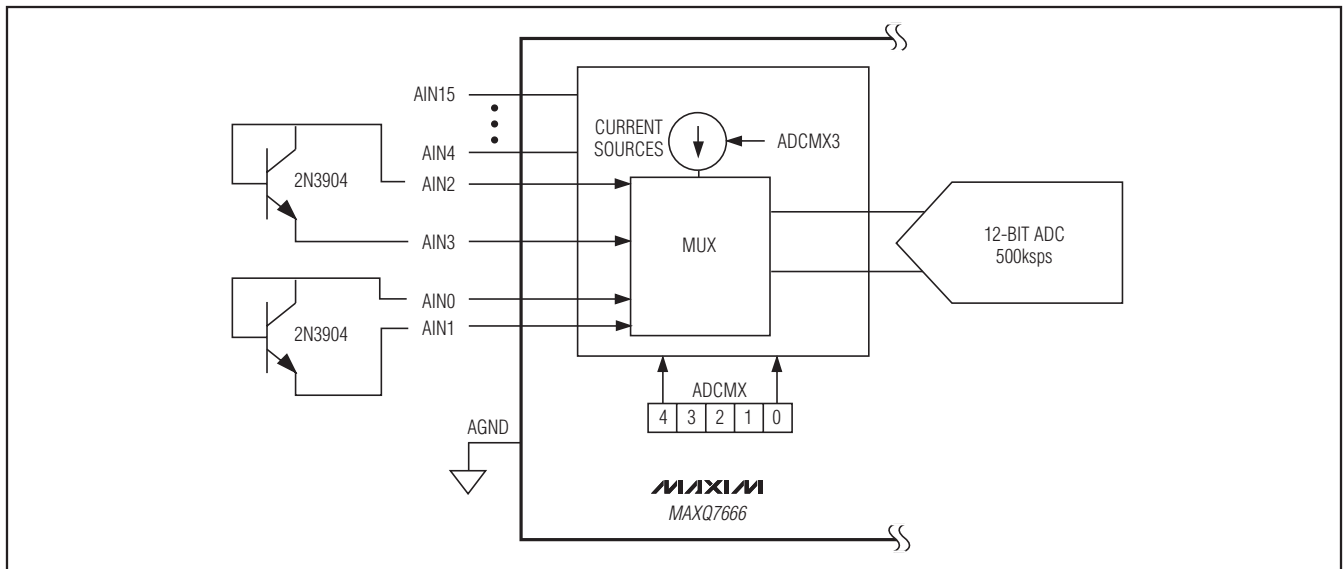


Figure 4. Temperature-Sensor Application Circuit—Differential Configuration

Power-On Reset and Brownout

Power supplies DV_{DD} and DV_{DDIO} each include a brownout monitor that alerts the μC through an interrupt when their corresponding supply voltage drops below a selectable threshold. This condition is generally referred to as brownout interrupt (BOI). Set the thresholds using the $VDBI$ and $VIOBI$ bits for DV_{DD} and DV_{DDIO} , respectively. Monitoring the supplies allows for appropriate action to be taken in a brownout

condition. The DV_{DDIO} brownout monitor also covers the analog peripherals if AV_{DD} and DV_{DDIO} are directly connected.

The DV_{DD} supply (internal core logic) also includes a voltage supervisor that controls the μC reset during power-up (DV_{DD} rising) and brownout reset (DV_{DD} falling) conditions (see Figure 5 for a POR and brownout timing example).

16-Bit, RISC, Microcontroller-Based, Smart Data-Acquisition System

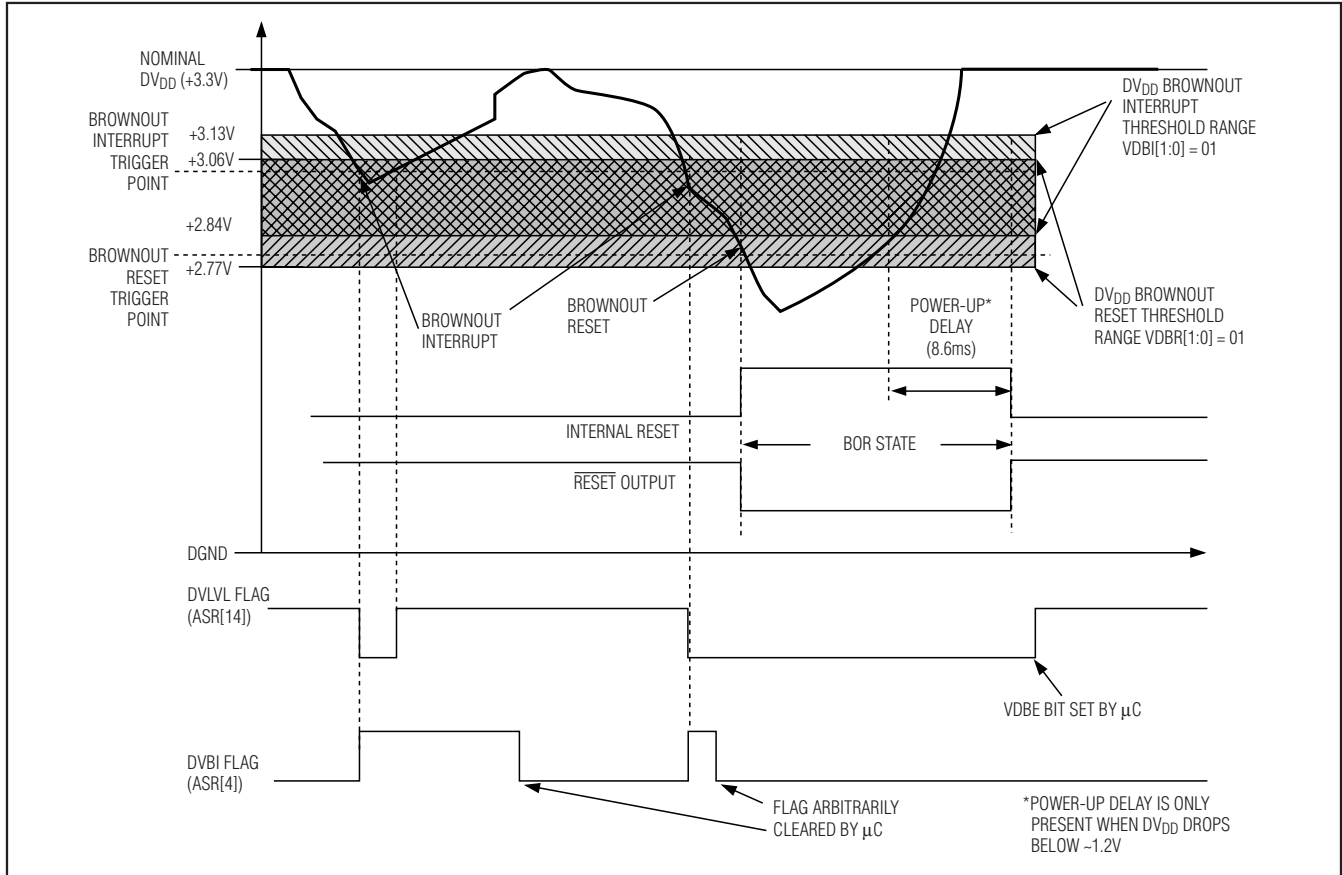


Figure 5. DV_{DD} Brownout Interrupt Detection

During power-up, \overline{RESET} is held low once DV_{DD} rises above +1.0V. All internal register bits are set to their default, POR state after DV_{DD} exceeds a threshold of approximately +1.2V. DV_{DD} brownout reset (BOR) threshold defaults to the +2.70V to +2.99V range following POR. Once DV_{DD} rises above this DV_{DD} brownout threshold, the 7.6MHz RC oscillator starts driving the power-up counter, and 8.6ms (typ) later, \overline{RESET} goes high if nothing external holds it low. Ramp-up DV_{DD} at a rate of at least 35mV/ms between +2.7V and +3.0V to ensure \overline{RESET} is held low before DV_{DD} reaches a minimum flash operating level of +3.0V. After DV_{DD} reaches a valid level and \overline{RESET} goes high, software execution begins at the reset vector (8000h in the utility ROM).

Perform software clean-up when DV_{DD} BOI is generated before DV_{DD} BOR occurs. The amount of time between BOI and BOR detection depends on the brownout interrupt and reset threshold settings, the size of the DV_{DD} bypass capacitors, and the application-dependent μC power management and software cleanup tasks. Use the internal +3.3V linear regulator for additional software cleanup time by using the DV_{DDIO} brownout monitor as an early warning that the regulator's input voltage is falling.

\overline{RESET} is pulled low when DV_{DD} falls below the DV_{DD} BOR threshold set by the VDBR bits. Upon reset, the μC and peripheral activity stops and most registers are

16-Bit, RISC, Microcontroller-Based, Smart Data-Acquisition System

set to their default state. The VDBR bits retain their value if DV_{DD} falls below the BOR threshold but remains above the POR threshold.

The following scenarios apply once DV_{DD} enters BOR:

- If DV_{DD} remains below the BOR threshold, the RESET pin remains low, and the μC remains in the reset state.
- If DV_{DD} stops falling before reaching the POR threshold, then begins rising above the BOR threshold, the RESET pin is released and the μC jumps to the reset vector (8000h in the utility ROM). This is similar to the DV_{DD} power-up case described in the previous scenario, except there is no power-up counter delay and some of the register bits are set to BOR values rather than POR values. See Tables 3 and 5 for the reset behavior of specific bits. In particular, the retained VDBR setting, if higher than the default value of 00b, allows a potentially more robust brownout recovery closer to or above the minimum flash operating level of +3.0V.
- If DV_{DD} falls below the 1.2V POR threshold, all register bits are reset, and any DV_{DD} recovery from that point is identical to the power-up case described above. See Tables 3 and 5 for the reset behavior of specific bits.

Refer to the *MAXQ7665/MAXQ7666 User's Guide* for detailed programming information, and a more thorough description of POR and brownout behavior.

Internal 3.3V Linear Regulator

An internal +3.3V/50mA linear regulator provides alternate supply to the MAXQ7666 core logic if an external supply is not used. Connect REGEN to GNDIO to enable the linear regulator. When using the linear regulator, ensure the DV_{DDIO} supply can support both the I/O and digital supply current requirements. Connect REGEN to DV_{DDIO} when using a +3.3V external supply. Apply DV_{DDIO} before DV_{DD} when using external supply for DV_{DD}.

System Clock Generator

The MAXQ7666 oscillator module is the master clock generator that supplies the system clock for the μC core and all of the peripheral modules using either a crystal oscillator or an internal RC oscillator. The crystal oscillator operates with an 8MHz crystal. Use the RC oscillator in applications that do not require precise timing. The MAXQ7666 executes most instructions in a

single SYSCLK period. The oscillator module contains all of the primary clock-generation circuitry. Figure 6 shows a block diagram of the system clock module.

The MAXQ7666 supports many features for generating a master clock signal timing source:

- Internal, fast-starting, 7.6MHz RC oscillator eliminates external crystal
- Internal high-frequency oscillator that can drive an external 8MHz crystal
- External high-frequency clock input (8MHz)
- Selectable internal capacitors for high-frequency crystal oscillator
- Power-up timer
- Fail-safe modes

Watchdog Timer

The primary function of the watchdog timer is to watch for stalled or stuck software. The watchdog timer performs a controlled system restart when the μP fails to write to the watchdog timer register before a selectable timeout interval expires. In some designs, the watchdog timer is also used to implement a real-time operating system (RTOS) in the μC . When used to implement an RTOS, a watchdog timer typically has four objectives:

- 1) To detect if a system is operating normally
- 2) To detect an infinite loop in any of the tasks
- 3) To detect an arbitration deadlock involving two or more tasks
- 4) To detect if some lower priority tasks are not running because of higher priority tasks

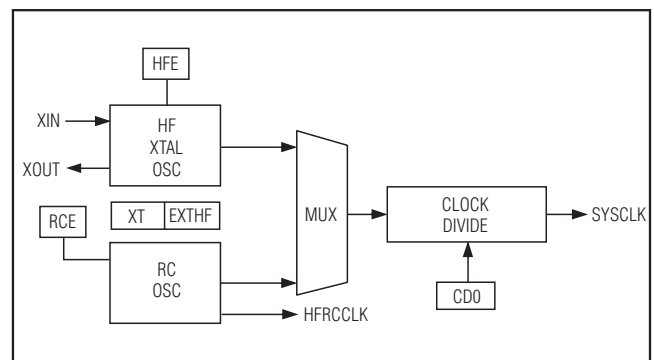


Figure 6. Crystal and RC Oscillator Block Diagram

16-Bit, RISC, Microcontroller-Based, Smart Data-Acquisition System

As illustrated in Figure 7, the internal RC oscillator (HFRCCCLK) is the only clock source for the watchdog timer (through a series of dividers). The divider output is programmable and determines the timeout interval. When enabled, the interrupt flag WDIF is set when a timeout is reached. A system reset then occurs after a time delay (based on the divider ratio).

The watchdog timer functions as the source of both the watchdog interrupt and the watchdog reset. The interrupt timeout has a default divide ratio of 2^{12} of the HFRCCCLK,

with the watchdog reset set to timeout 2^9 clock cycles later. With the nominal RC oscillator value of 7.6MHz, an interrupt timeout occurs every 539 μ s, followed by a watchdog reset 67.4 μ s later. The watchdog timer resets to the default divide ratio following any reset. Using the WD0 and WD1 bits in the WDCN register, select other divide ratios for longer watchdog interrupt periods. If the WD[1:0] bits are changed before the watchdog interrupt timeout occurs (i.e. before the watchdog reset counter begins), the watchdog timer count is reset. All watchdog timer reset timeouts follow the programmed interrupt timeout 512 source clock cycles later. For more information on the MAXQ7665/MAXQ7666 User's Guide.

Timer and PWM

The MAXQ7666 includes three 16-bit timers. Each timer is a type 2 timer implemented in the MAXQ family (see Figure 8). Two of the timers are accessible through I/Os or software, and one is accessible only through software. Type 2 timers are auto-reload 16-bit timers/counters offering the following functions:

- 8-bit/16-bit timer/counter
- Up/down auto-reload
- Counter function of external pulse
- Capture
- Compare

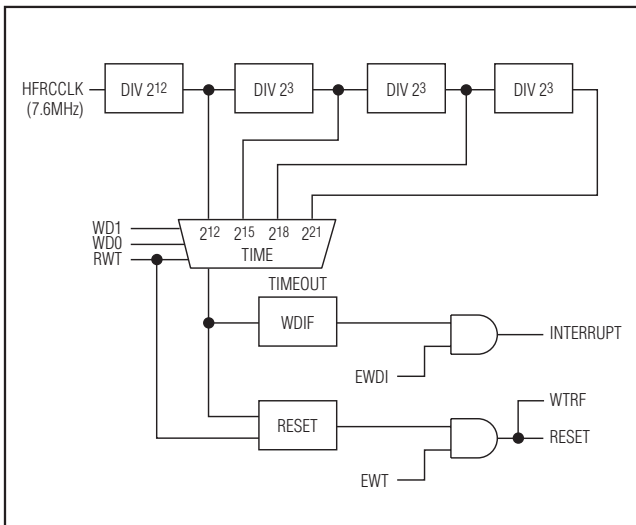


Figure 7. Watchdog Functional Diagram

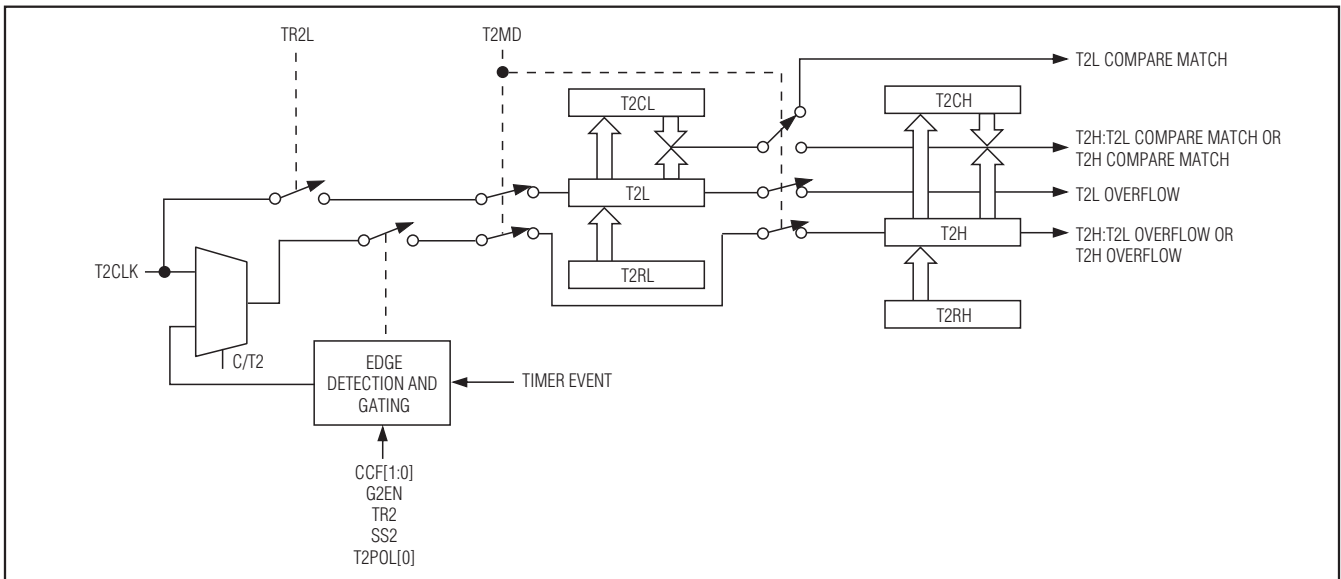


Figure 8. Type 2 Timer Functional Diagram

16-Bit, RISC, Microcontroller-Based, Smart Data-Acquisition System

Note: The MAXQ7666 does not have secondary timer I/Os (such as T0B and T1B) that are present in some other MAXQ products.

16-Bit x 16-Bit Hardware Multiplier

A hardware multiplier supports high-speed multiplications. The multiplier completes a 16-bit x 16-bit multiplication in a single clock cycle and contains a 48-bit accumulator that requires one more cycle. The multiplier is a peripheral that performs seven different multiplication operations:

- Unsigned 16-bit multiplication (one cycle)
- Unsigned 16-bit multiplication and accumulation (two cycles)
- Unsigned 16-bit multiplication and subtraction (two cycles)
- Signed 16-bit multiplication (one cycle)
- Signed 16-bit multiplication and negate (one cycle)
- Signed 16-bit multiplication and accumulation (two cycles)
- Signed 16-bit multiplication and subtraction (two cycles)

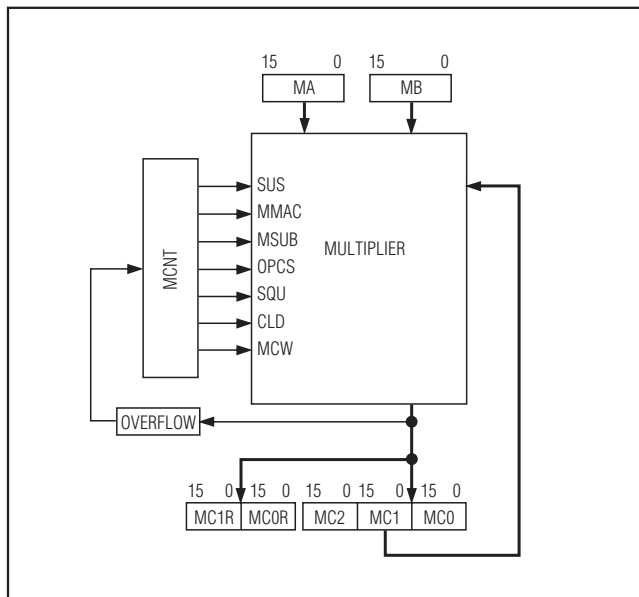


Figure 9. 16-Bit Hardware Multiplier Functional Diagram

Figure 9 illustrates the simplified hardware multiplier circuitry.

CAN Interface Bus

The MAXQ7666 CAN controller fully complies with the CAN 2.0B specification.

The μ C interface to the CAN controller utilizes two groups of registers. To simplify the software associated with the operation of the CAN controllers, most of the global CAN status and controls as well as the individual message center control/status registers are located in the peripheral register map. The remaining registers associated with the data identification, identification masks, format, and data are located in a dual port memory to allow the CAN controller and the processor access to the required functions. The CAN controller directly accesses the dual port memory. A dedicated interface supports dual port memory accessing by the processor through the CAN 0 data pointer (CODP) and the CAN 0 data buffer (CODB) special function registers.

16-Bit, RISC, Microcontroller-Based, Smart Data-Acquisition System

CAN Functional Description

The basic functions covered by the CAN controller include the use of 11-bit standard or 29-bit extended acceptance identifiers, as programmed by the μC for each message center, as shown in Figure 10. The CAN unit stores up to 15 messages, with the standard 8-byte data field in each message.

Each of the first 14 message centers is programmable in either transmit or receive mode. Message center 15 is a receive-only message center with a buffer FIFO arrangement to help prevent the inadvertent loss of

data when the μC is busy and is not allowed time to retrieve the incoming message prior to the acceptance of a second message into message center 15. Message center 15 also utilizes an independent set of mask registers and identification registers, only applied once an incoming message has not been accepted by any of the first 14 message centers. A second filter test is also supported for all message centers (1–15) to allow the CAN controller to use two separate 8-bit media masks and media arbitration fields to verify the contents of the first 2 bytes of data of each incoming

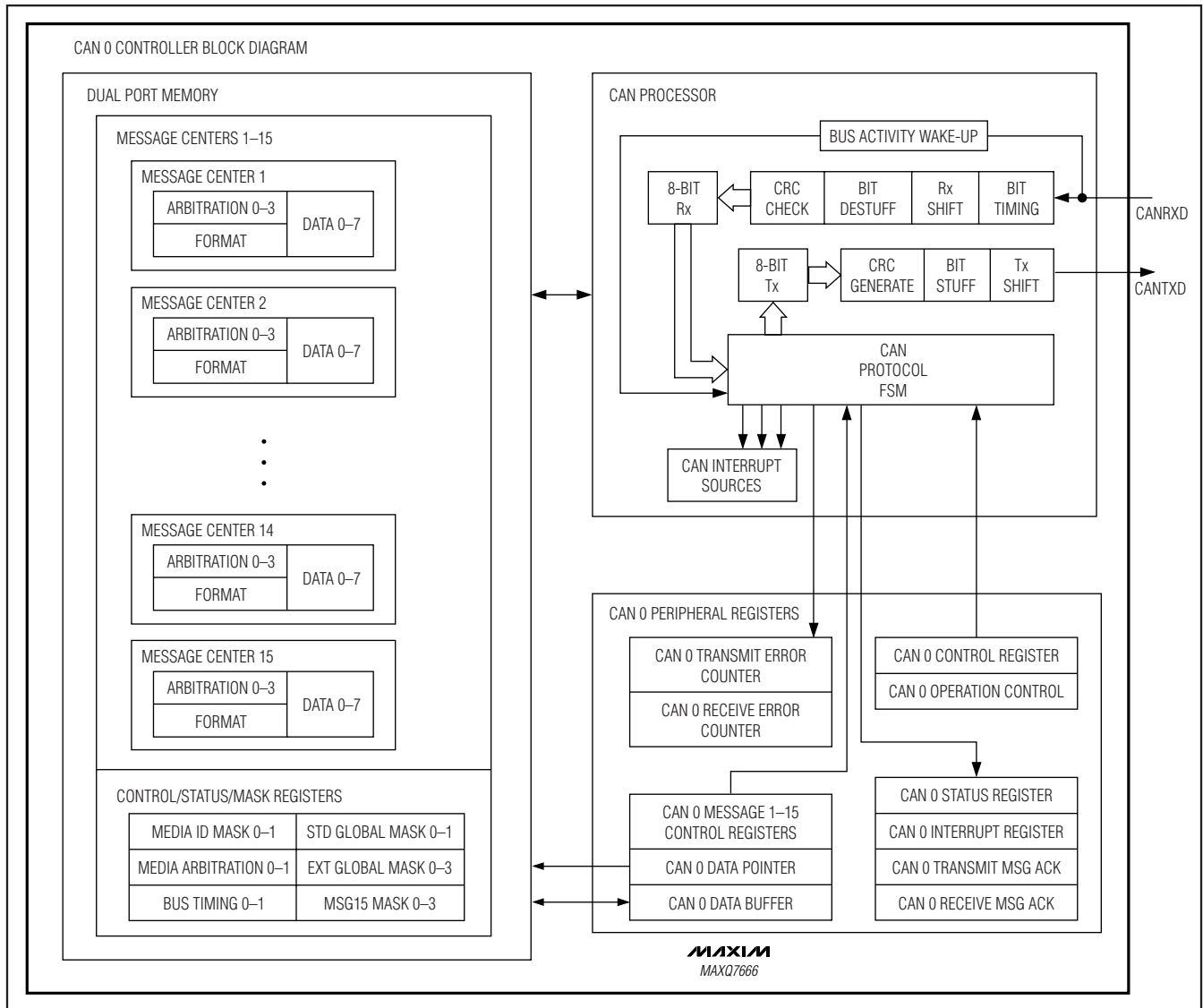


Figure 10. CAN 0 Controller Block Diagram

16-Bit, RISC, Microcontroller-Based, Smart Data-Acquisition System

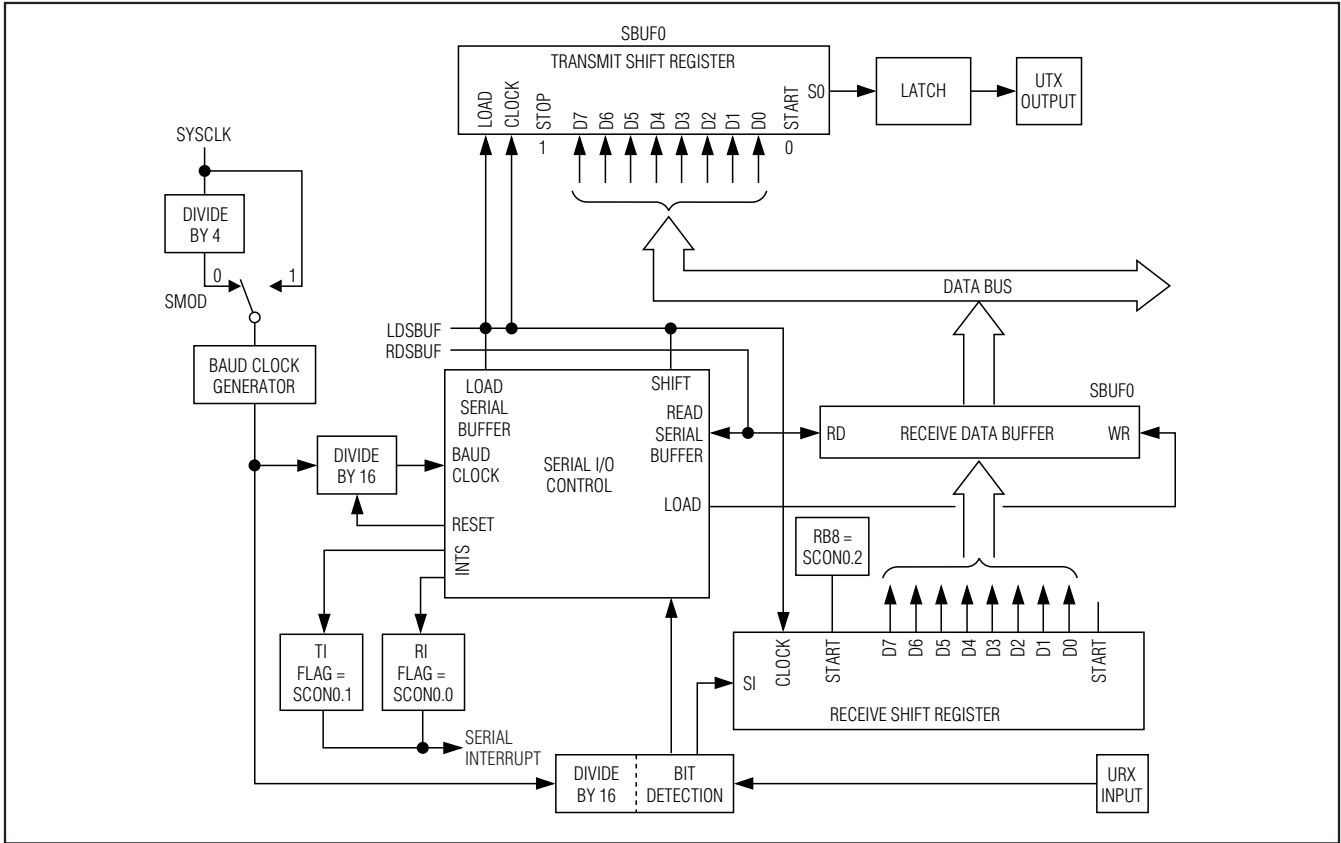


Figure 11b. UART Asynchronous Mode (Mode 1)

JTAG Interface Bus

The joint test action group (JTAG) IEEE 1149.1 standard defines a unique method for in-circuit testing and programming. The MAXQ7666 conforms to this standard, implementing an external test access port (TAP) and internal TAP controller for communication with a JTAG bus master, such as an automatic test equipment (ATE) system. For detailed information on the TAP and TAP controller, refer to *IEEE Standard 1149.1* on the IEEE website at <http://standards.ieee.org>. The JTAG on

the MAXQ7666 is used for in-circuit emulation and debug support, but does not support boundary scan test capability. Disable the JTAG function after power-up before normal operation.

The TAP controller communicates synchronously with the host system (bus master) through four digital I/O pins: test mode select (TMS), test clock (TCK), test data input (TDI), and test data output (TDO). The internal TAP module consists of several shift registers and a TAP controller (see Figure 12). The shift registers serve

Table 1. UART Operating Characteristics and Mode Baud Rate

MODE	TYPE	BAUD CLOCK	START BITS	DATA BITS	STOP BITS	MAX BAUD RATE AT 8MHz
Mode 0	Synchronous	4 or 12 clock	N/A	8	N/A	2Mbps
Mode 1	Asynchronous	Baud generation	1	8	1	250kbps
Mode 2	Asynchronous	32 or 64 clock	1	8 + 1	1	250kbps
Mode 3	Asynchronous	Baud generation	1	8 + 1	1	250kbps

16-Bit, RISC, Microcontroller-Based, Smart Data-Acquisition System

- TMS—Test Mode Selection. The rising edge of TCK samples the test signal at TMS. The TAP controller decodes the test signal at TMS to control the test operation. Force TMS high when inactive.

General-Purpose Digital I/Os

The MAXQ7666 provides eight general-purpose digital I/Os (GPIOs). All GPIOs have an additional special function (SF), such as a timer input/output, or TAP signal for JTAG communication. For example, the state of P0.6/T0 can be programmed to depend on timer channel 0 logic. When programmed as a port, each I/O is configurable for high-impedance or weak pullup to DVDDIO. At power-up, each GPIO is configured as an input with pullups to DVDDIO. In addition, each GPIO can cause an externally triggered interrupt on falling or rising edges. Any externally triggered interrupt can wake up the device from stop mode.

The data input/output direction in a port is independently controlled by the port direction register (PD). Each I/O within the port is individually set as an output or input. The port output register (PO) contains the current state of the logic output buffers. When an I/O is configured as an output, writing to the PO register controls the output logic state. Reading the PO register shows the current state of the output buffers, independent of

the data direction. The port input register (PI) is a read-only register that always reflects the logic state of the I/Os. When an I/O is configured as an input, writing to the PO register enables/disables the pullup resistor. Refer to the *MAXQ7665/MAXQ7666 User's Guide* for more detailed information.

Port Characteristics

The MAXQ7666 contains one GPIO port (P0). It is a bidirectional 8-bit I/O port, which contains the following features:

- Schmitt trigger input circuitry with software-selectable high-impedance or weak pullup to DVDDIO
- Software-selectable push-pull CMOS output drivers capable of sinking and sourcing 1.6mA
- Software-selectable open-drain output drivers capable of sinking 1.6mA
- Falling or rising edge interrupt capability
- All I/Os contain an additional special function, such as a logic input/output for a timer channel. Selecting an I/O for a special function alters the port characteristics of that I/O (refer to the *MAXQ7665/MAXQ7666 User's Guide* for more details). Figure 13 illustrates the functional blocks of an I/O.

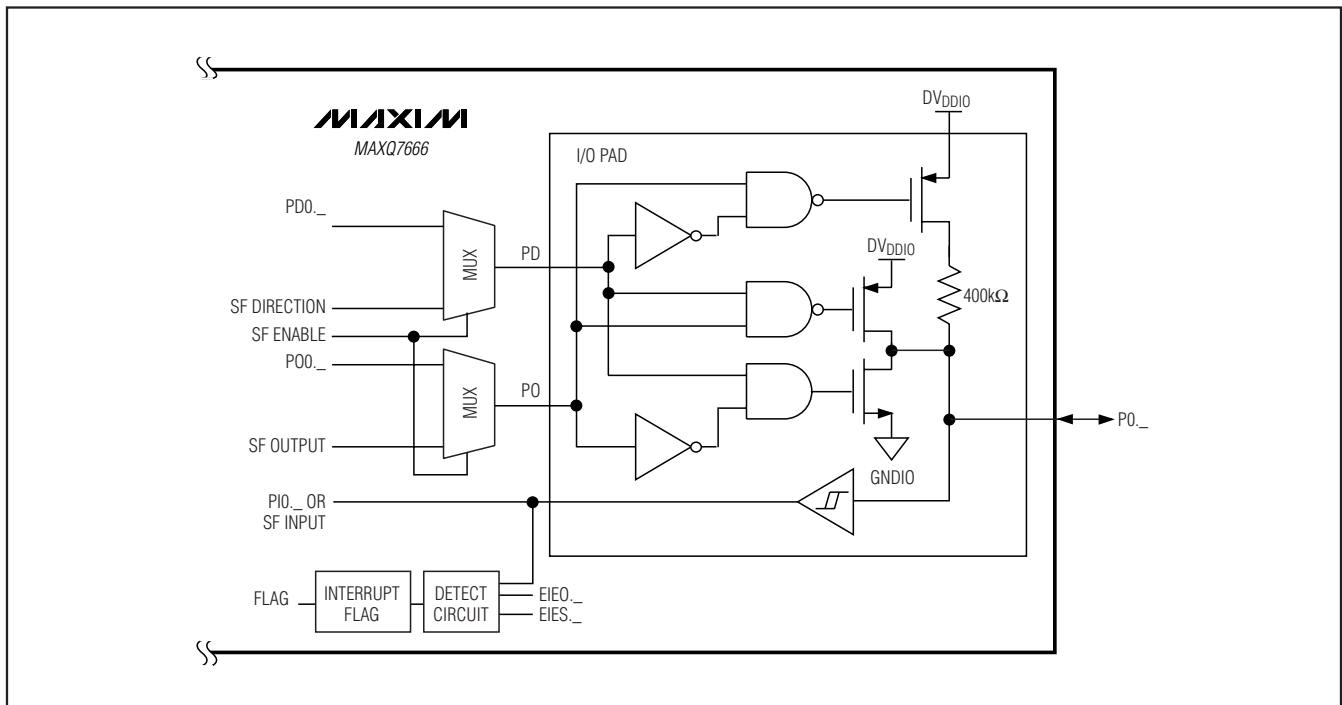


Figure 13. Digital I/O Circuitry

16-Bit, RISC, Microcontroller-Based, Smart Data-Acquisition System

MAXQ Core Architecture

The MAXQ7666 is structured on a highly advanced, accumulator-based, 16-bit RISC architecture. Fetch and execution operations complete in one cycle without pipelining, because the instruction contains both the operation code and data. The result is a streamlined 8 million instructions-per-second (MIPS) μ C.

A 16-level hardware stack supports the highly efficient core, enabling fast subroutine calling and task switching. Manipulate data quickly and efficiently with three internal data pointers. Multiple data pointers allow more than one function to access data memory without having to save and restore data pointers each time. The data pointers automatically increment or decrement following an operation, eliminating the need for software intervention. As a result, application speed is greatly increased.

Instruction Set

The instruction set is composed of fixed-length, 16-bit instructions that operate on registers and memory locations. The highly orthogonal instruction set allows arithmetic and logical operations to use any register along with the accumulator. Special-function registers (also called peripheral registers) control the peripherals and are subdivided into register modules.

The architecture is transport-triggered. Writes or reads from certain register locations potentially cause side effects. These side effects form the basis for the higher level operation codes defined by the assembler, such as ADDC, OR, JUMP, etc. The operation codes are implemented as MOVE instructions between certain register locations, while the assembler handles the encoding.

Memory Organization

The MAXQ7666 incorporates several memory areas:

- 8KB (4K x 16) utility ROM
- 16KB (8K x 16) program flash memory for program storage

- 256B (128 x 16) data flash memory
- 512 bytes (256 x 16) of SRAM for storage of temporary variables
- 16-level stack memory for storage of program return addresses and general-purpose use

The memory is arranged by default in a Harvard architecture, with separate address spaces for program and data memory (see Figure 14). A special mode allows data memory mapping into program space, permitting code execution from data memory. Another mode allows program memory mapping into data space, permitting access to code constants as data memory.

The flash memory allows reprogramming the devices, eliminating the expense of throwing away one-time programmable devices during development and field upgrades (see Figure 15 for the flash memory sector maps). Password protect flash memory with a 16-word key to deny access to program memory by unauthorized individuals.

A pseudo-Von Neumann memory map places the utility ROM, code, and data memory into a single contiguous memory map. This is useful for applications that require dynamic program modification or unique memory configurations.

Stack Memory

A 16-bit-wide x 16 deep internal hardware stack provides storage for program return addresses and general-purpose use. The stack is used automatically by the processor when the CALL, RET, and RETI instructions are executed and interrupts serviced. The stack also explicitly stores and retrieves data by using the PUSH, POP, and POPI instructions.

On reset, the stack pointer, SP, initializes to the top of the stack (0Fh). The CALL, PUSH, and interrupt-vectoring operations increment SP, then store a value at the location pointed to by SP. The RET, RETI, POP, and POPI operations retrieve the value at SP and then decrement SP.

16-Bit, RISC, Microcontroller-Based, Smart Data-Acquisition System

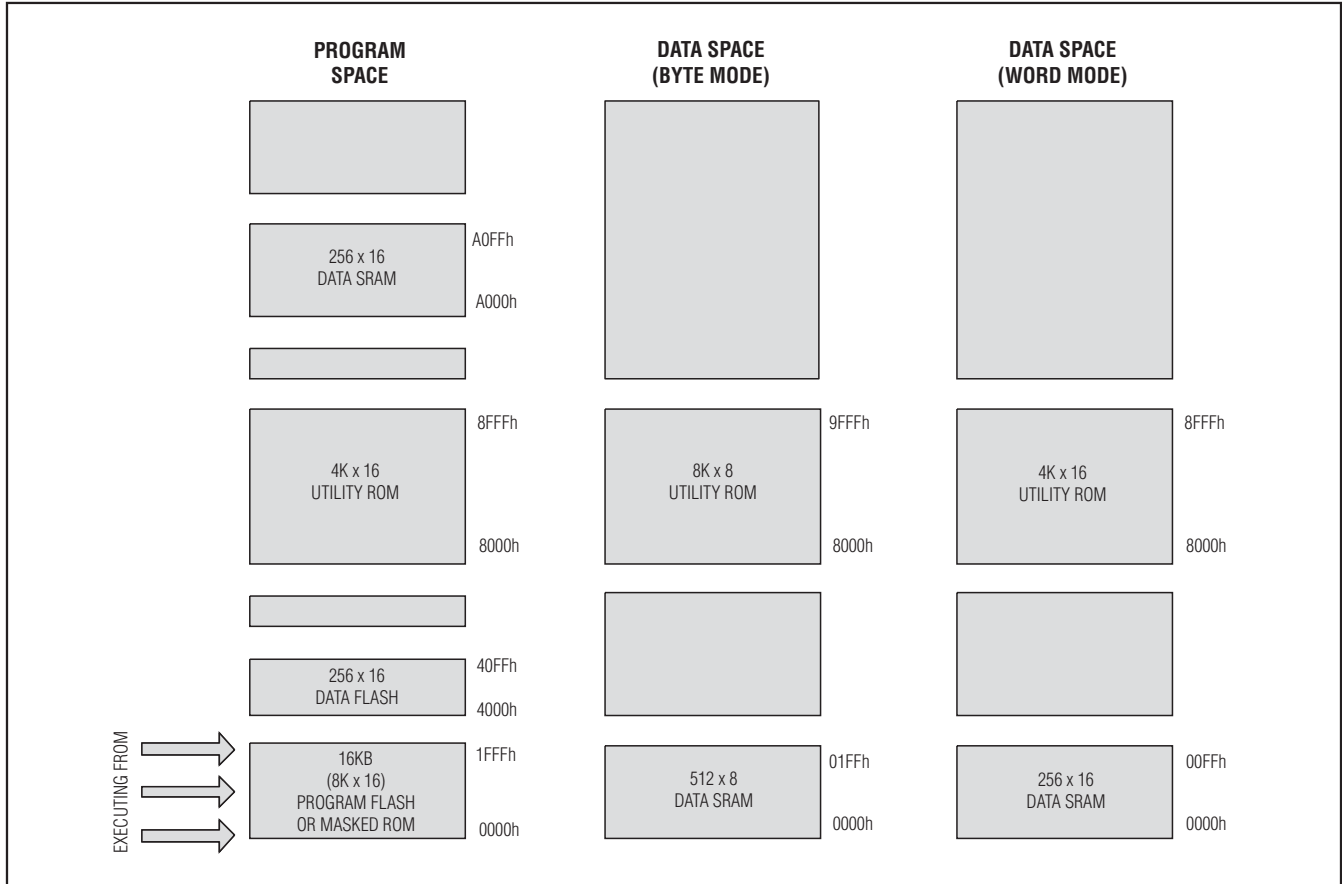


Figure 14. MAXQ7666 Memory Map

Utility ROM

The utility ROM is an 8KB (4K x 16) block of internal ROM memory that defaults to a starting address of 8000h. The utility ROM consists of subroutines called from application software. These include:

- In-system programming (bootstrap loader) over JTAG
- In-circuit debug routines
- User-callable routines for in-application flash programming and fast table lookup

Following any reset, execution begins in the utility ROM. The ROM software determines whether the program execution should immediately jump to location 0000h, the start of user-application code, or to one of the special routines mentioned. Access routines within the utility ROM as subroutines by the application software. More information on the utility ROM contents is contained in the *MAXQ7665/MAXQ7666 User's Guide*.

Some applications require protection against unauthorized viewing of program code memory. For these applications, access to in-system programming, in-application programming, or in-circuit debugging functions is prohibited until a password is supplied. The password is defined as the 16 words of physical program memory at addresses 0010h to 001Fh.

A single password lock (PWL) bit is implemented in the SC register. When the PWL is set to one (POR default), the password is required to access the utility ROM, including in-circuit debug and in-system programming routines that allow reading or writing of internal memory. When PWL is cleared to zero, these utilities are fully accessible without the password. The password is automatically set to all ones following a mass erase. When the password is all ones or all zeros, the PWL bit clears to zero.

16-Bit, RISC, Microcontroller-Based, Smart Data-Acquisition System

Programming

Program the flash memory of the μC using two different methods: in-system programming and in-application programming. Both methods afford great flexibility in system design as well as reduce the life-cycle cost of the embedded system. Password protect these features to prevent unauthorized access to program memory.

In-System Programming

An internal bootstrap loader programs the device over a simple JTAG interface. This allows in-system software upgrading, eliminating the need for costly hardware retrofit when updates are required. Remote software uploading of physically inaccessible applications are possible.

After a power-up or reset, the JTAG interface is active and loading the TAP with the system programming instruction invokes the bootstrap loader. Setting the SPE bit to 1 during reset through the JTAG interface executes the bootstrap-loader-mode program that resides in the utility ROM. When programming is complete, the bootstrap loader can clear the SPE bit and reset the device, allowing the device to bypass the utility ROM and begin execution of the application software.

The following bootstrap loader functions are supported:

- Load
- Dump
- CRC
- Verify
- Erase

In-Application Programming

The in-application programming feature allows the μC to modify its own flash program memory while simultaneously executing its application software. This allows on-the-fly software updates in mission-critical applications that cannot afford downtime. Alternatively, it allows the application to develop custom loader software that can operate under the control of the application software. The utility ROM contains user-accessible flash programming functions that erase and program flash memory. These functions are described in detail in the *MAXQ7665/MAXQ7666 User's Guide* for this device.

Program/Data Flash and Data RAM Memory

The MAXQ7666 provides the following memory configurations (see Figure 15):

- 16KB (8K x 16) of program flash
- Up to 512 bytes (256 x 16) of data flash
- 512 bytes (256 x 16) of data RAM

The program flash is divided into 256 pages. Each page contains 64 bytes (32 x 16-bit words). Program flash is erased four pages (128 x 16 = 256 bytes) at a time, and must be programmed a full page (32 x 16 = 64 bytes) at a time from the application code (see Figure 17). Both erase and programming operations are performed by calling built-in utility ROM functions `programFlashErasePage` and `programFlashWritePage` (see Figure 19). When programmed over JTAG, the built-in boot loader supports commands to program flash two pages (128 bytes) at a time.

The data flash is divided into 256 pages. Each page contains 2 bytes (1 x 16-bit word). A typical data flash configuration is erased two pages (2 x 16 = 4 bytes) at a time using the utility ROM function `dataFlashPageErase`, and is written one page/word (1 x 16-bit word = 2 bytes) at a time using the utility ROM function `dataFlashWrite`. It is also possible to write and read from only even data flash addresses using the utility ROM functions `dataFlashWriteEven` and `dataFlashReadEven`. The even functions make it possible to work around the asymmetric "erase two, write one" page behavior by writing to only even addresses. By putting data into alternate locations, the intrinsic two-page erase function is made to look like a single word erase at the cost of halving the available storage. Figure 16 shows the data flash memory organization for one page and two page write/erase operations. Refer to the *MAXQ7665/MAXQ7666 User's Guide* for all possible configurations.

Note that the data flash is under application control only through the utility ROM functions discussed in this section and is not available when programmed over JTAG.

Register Set

Most functions of the device are controlled by sets of registers. These registers provide a working space for memory operations as well as configuring and addressing peripheral registers on the device. Registers are divided into two major types: system registers and peripheral registers. The common register set, also known as the system registers, includes the ALU,

16-Bit, RISC, Microcontroller-Based, Smart Data-Acquisition System

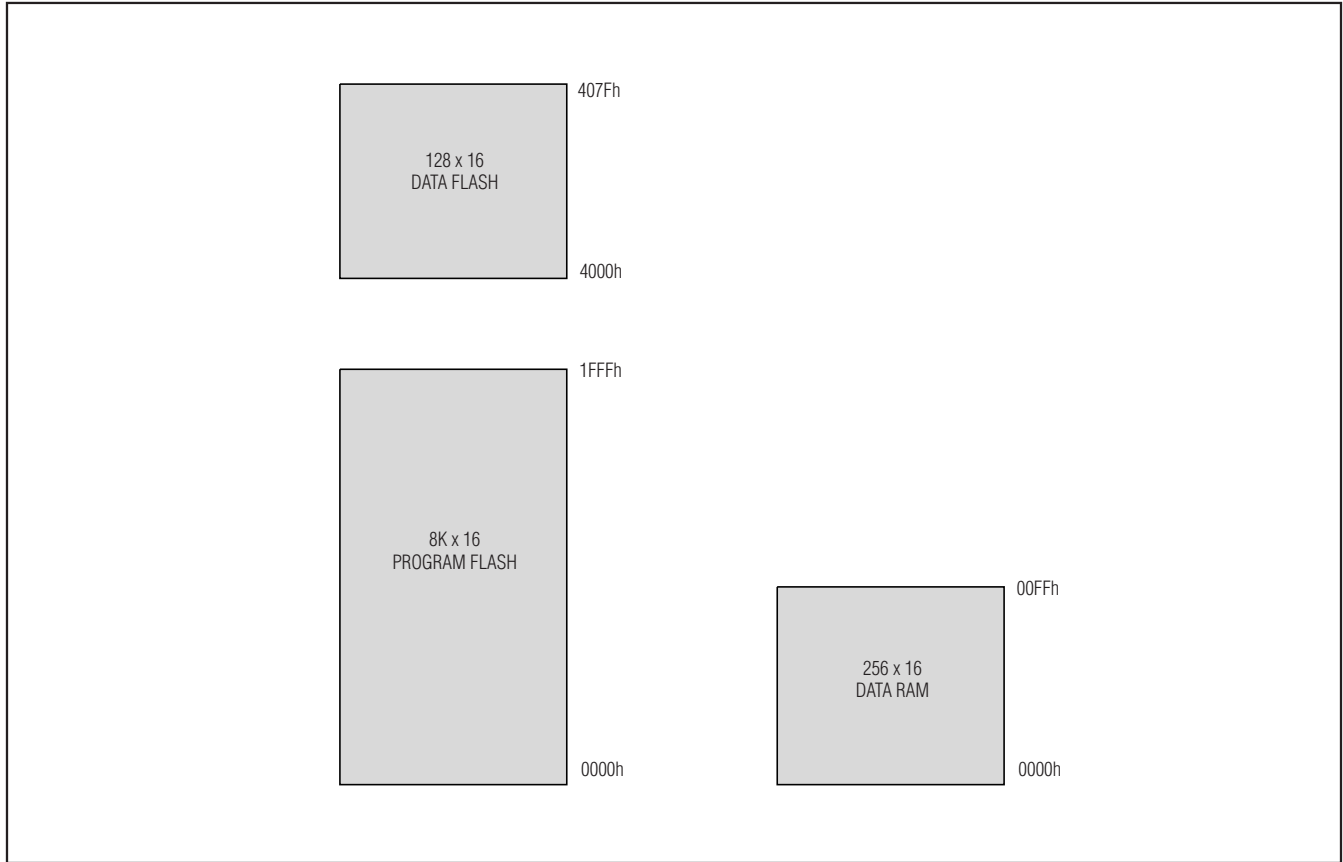


Figure 15. Memory Organization

16-Bit, RISC, Microcontroller-Based, Smart Data-Acquisition System

MAXQ7666

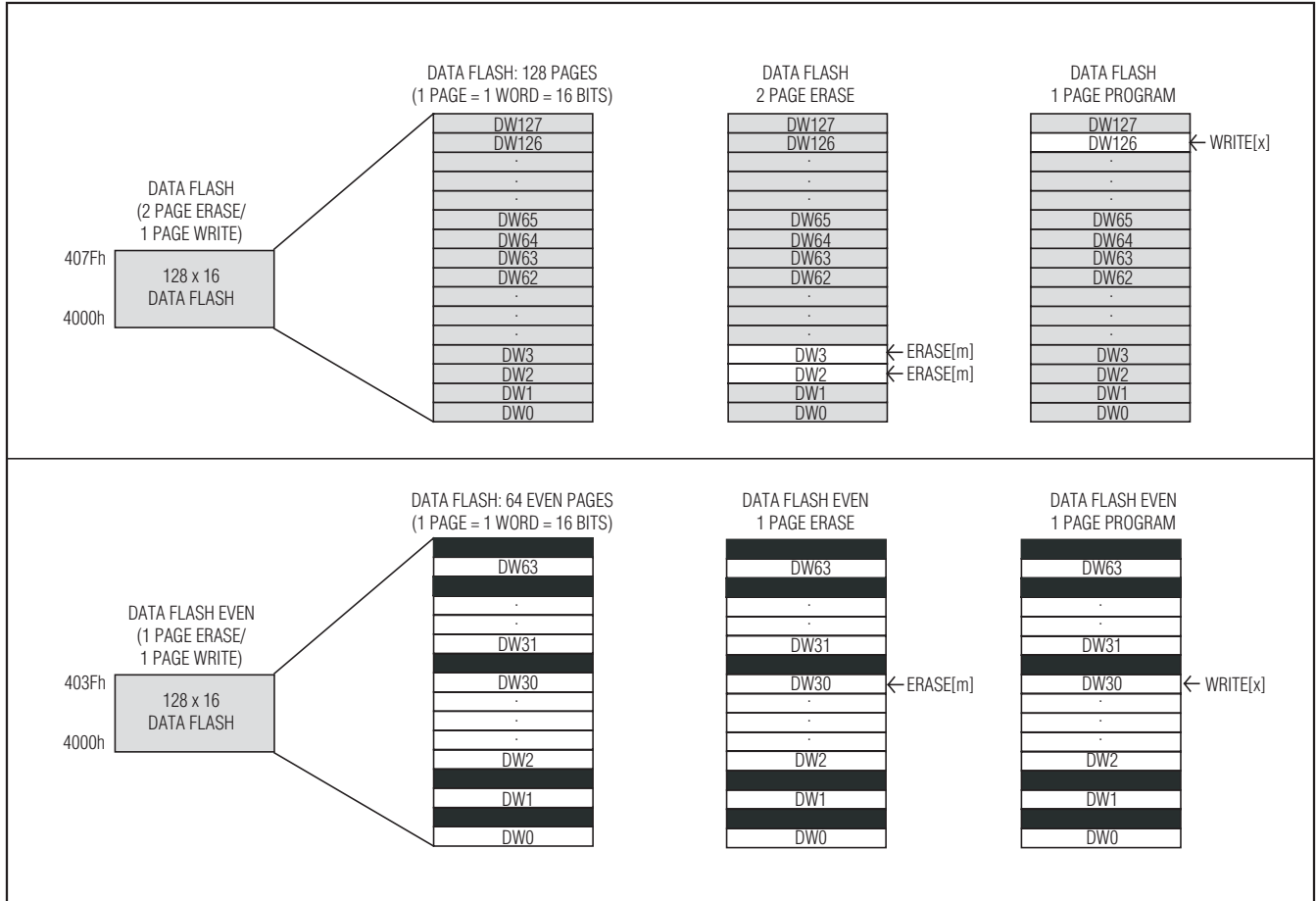


Figure 16. Two of the Possible Data Flash Organizations

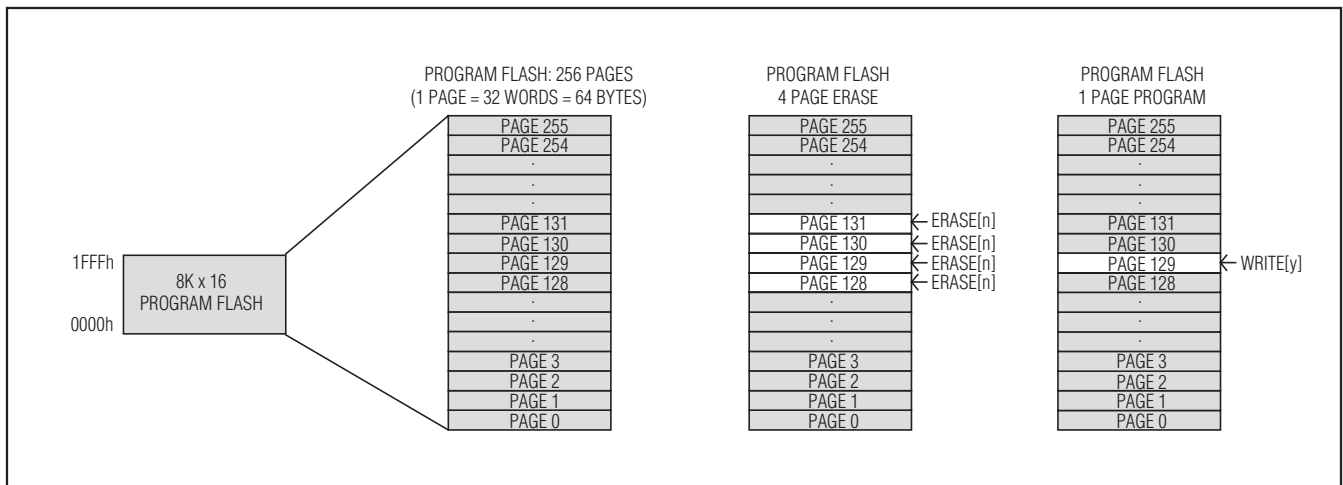


Figure 17. Program Flash Organization

16-Bit, RISC, Microcontroller-Based, Smart Data-Acquisition System

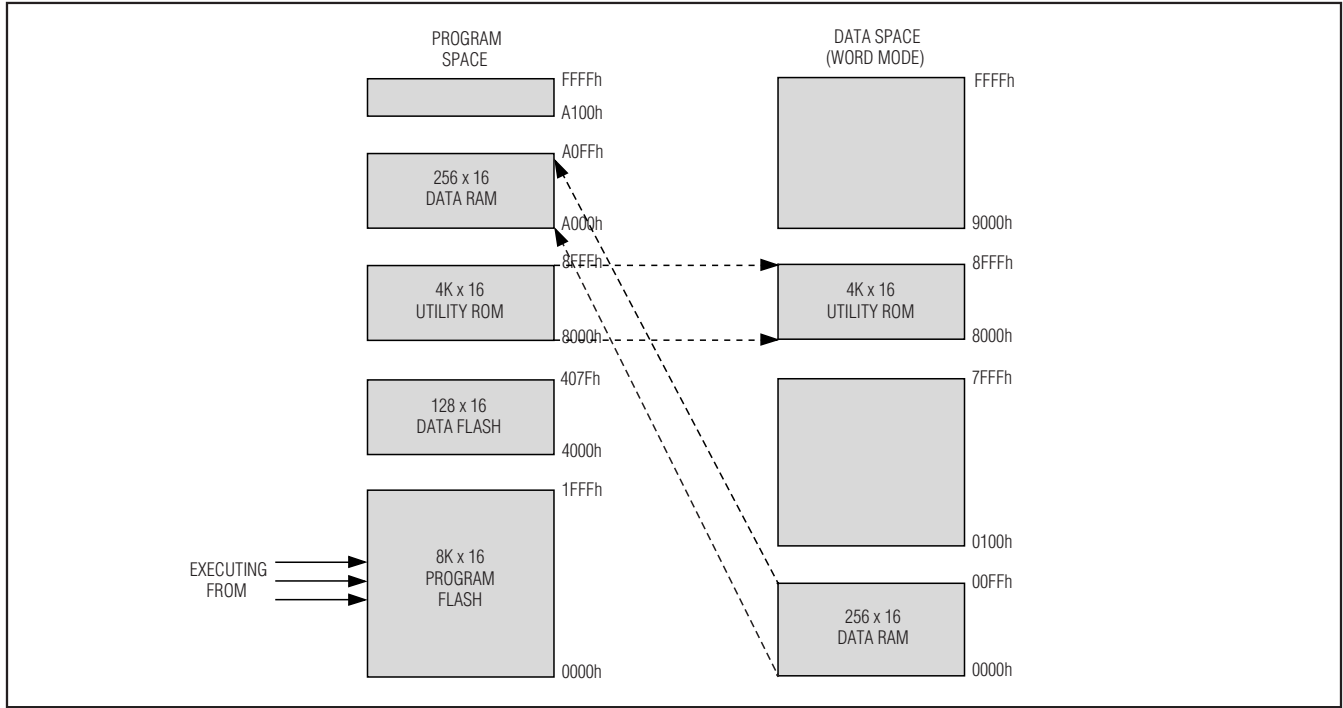


Figure 18. Memory Map (Executing from Program Flash)

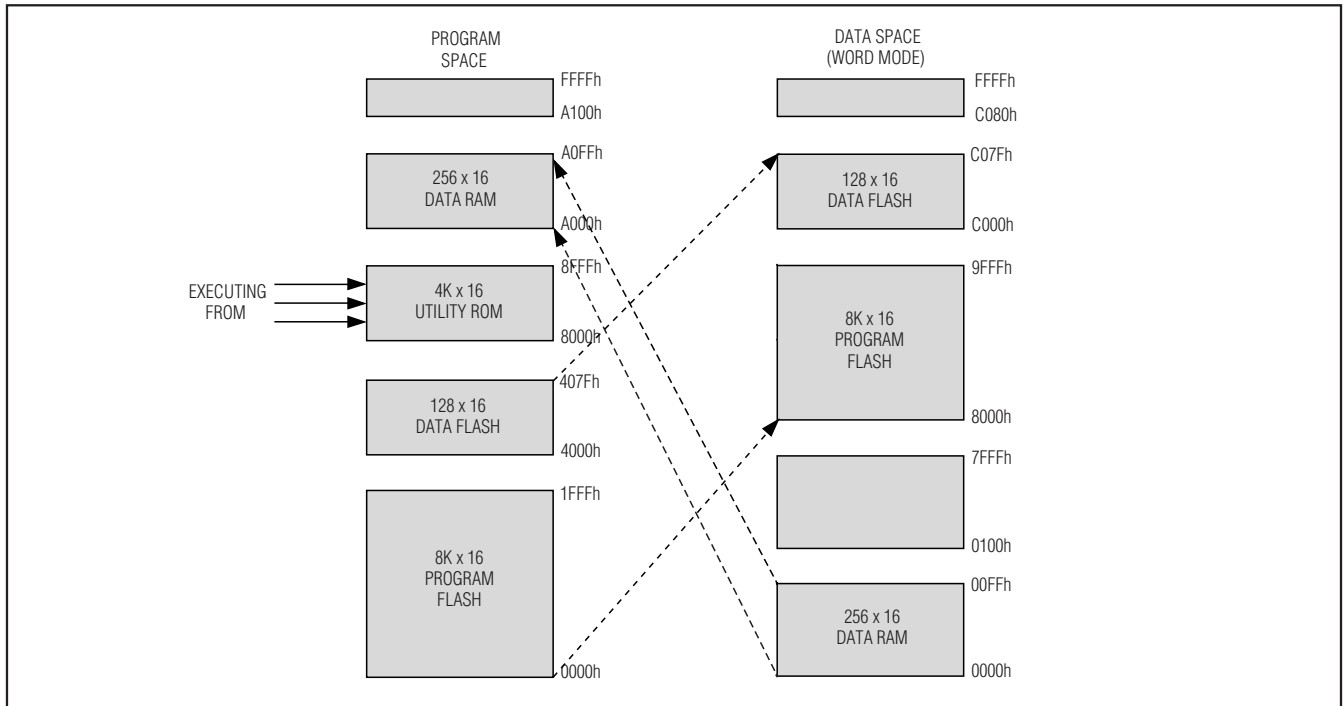


Figure 19. Memory Map (Executing from Utility ROM)

16-Bit, RISC, Microcontroller-Based, Smart Data-Acquisition System

accumulator registers, data pointers, interrupt vectors and control, and stack pointer. The peripheral registers define additional functionality that may be included by different products based on the MAXQ architecture. This functionality is broken up into discrete modules so that only the features required for a given product need to be included. Tables 2 and 4 show the MAXQ7666 register set. Tables 3 and 5 show the bit functions and reset values.

Power Management

Power consumption reaches its minimum in stop mode. In this mode, the external oscillator, internal RC oscillator, system clock, and all processing activity is halted. Stop mode is exited when an enabled external interrupt input is triggered or an external reset signal is applied to RESET. Upon exiting stop mode, the μC waits for the external high-frequency crystal to complete its warmup period, or starts execution immediately from its internal RC oscillator while the warmup period completes.

Table 2. System Register Map

REGISTER INDEX	MODULE NAME (BASE SPECIFIER)						
	AP (8h)	A (9h)	PFX (Bh)	IP (Ch)	SP (Dh)	DPC (Eh)	DP (Fh)
0h	AP	A[0]	PFX[0]	IP	—	—	—
1h	APC	A[1]	PFX[1]	—	SP	—	—
2h	—	A[2]	PFX[2]	—	IV	—	—
3h	—	A[3]	PFX[3]	—	—	OFFS	DP0
4h	PSF	A[4]	PFX[4]	—	—	DPC	—
5h	IC	A[5]	PFX[5]	—	—	GR	—
6h	IMR	A[6]	PFX[6]	—	LC0	GRL	—
7h	—	A[7]	PFX[7]	—	LC1	BP	DP1
8h	SC	A[8]	—	—	—	GRS	—
9h	—	A[9]	—	—	—	GRH	—
Ah	—	A[10]	—	—	—	GRXL	—
Bh	<i>IIR</i>	A[11]	—	—	—	FP	—
Ch	—	A[12]	—	—	—	—	—
Dh	—	A[13]	—	—	—	—	—
Eh	CKCN	A[14]	—	—	—	—	—
Fh	WDCN	A[15]	—	—	—	—	—

Note: Names that appear in italics indicate that all bits of a register are read-only. Names that appear in bold indicate that a register is 16 bits wide.

16-Bit, RISC, Microcontroller-Based, Smart Data-Acquisition System

Interrupts

Multiple interrupt sources quickly respond to internal and external events. The MAXQ architecture uses a single interrupt vector (IV), single interrupt-service routine (ISR) design. Enable interrupts globally, individually, or by module. When an interrupt condition occurs, its individual flag is set, even if the interrupt source is disabled at the local, module, or global level. Clear interrupt flags within the user-interrupt routine to avoid repeated false interrupts from the same source. Application software must ensure a delay between the write to the flag and the RETI instruction to allow time for the interrupt hardware to remove the internal interrupt condition. Asynchronous interrupt flags require a one-instruction delay and synchronous interrupt flags require a two-instruction delay.

When an enabled interrupt is detected, software jumps to a user-programmable interrupt vector location. The IV register defaults to 0000h on reset or power-up, so if it is not changed to a different address, the user program must determine whether a jump to 0000h came from a reset or interrupt source.

Once software control transfers to the ISR, use the interrupt identification register (IIR) to determine if a system register or peripheral register was the source of the interrupt. The specified module can then be interrogated for the specific interrupt source and software can take appropriate action. The following interrupt sources are available.

- Watchdog interrupt
- External interrupts 0 to 7
- Serial port 0 receive and transmit interrupts
- Timer 0 low compare, low overflow, capture/compare, and overflow interrupts

- Timer 1 low compare, low overflow, capture/compare, and overflow interrupts
- Timer 2 low compare, low overflow, and overflow interrupts
- CAN0 receive and transmit interrupts and a change in CAN0 status register interrupt
- ADC data ready and overrun interrupts
- Digital and I/O voltage brownout interrupts
- Crystal oscillator failure interrupt

Reset Sources

Several reset sources are provided for μ C control. Although code execution is halted in the reset state, the crystal oscillator, and the internal RC oscillator continue to oscillate. The crystal oscillator is turned off by a POR, but not by other reset sources. Internal resets such as the power-on and watchdog resets assert the $\overline{\text{RESET}}$ output low.

Power-On Reset (POR)

An internal POR circuit enhances system reliability. This circuit forces the device to perform a POR whenever a rising voltage on DVDD climbs above the POR threshold level of 2.7V. At this point the following events occur:

- All registers and circuits enter the default state
- The POR flag (WDCN.POR) is set to indicate if the source of the reset was a loss of power
- The internal RC oscillator becomes the clock source
- Code execution begins at location 8000h

Watchdog Timer Reset

The watchdog timer functions are described in the *MAXQ7665/MAXQ7666 User's Guide*. Execution resumes at location 8000h following a watchdog timer reset.

16-Bit, RISC, Microcontroller-Based, Smart Data-Acquisition System

External System Reset

Assert the external $\overline{\text{RESET}}$ input low to enter the reset state. The external reset functions are described in the *MAXQ7665/MAXQ7666 User's Guide*. Execution resumes at location 8000h after $\overline{\text{RESET}}$ is released.

Crystal Selection

The MAXQ7666 requires a crystal with the following specifications:

Frequency: 8MHz

C_{LOAD}: 6pF (min)

Drive level: 5μW (min)

Series resonance resistance: 300Ω max

Note: Series resonance resistance is the resistance observed when the resonator is in the series resonant condition. This is a parameter often stated by quartz crystal vendors and is called R1. When a resonator is used in the parallel resonant mode with an external load capacitance, as is the case with the MAXQ7666 oscillator circuit, the effective resistance is sometimes stated. This effective resistance at the loaded frequency of oscillation is:

$$R1 \times (1 + (C_0/C_{LOAD}))^2$$

For typical C₀ and C_{LOAD} values, the effective resistance can be greater than R1 by a factor of 2.

Development and Technical Support

A variety of highly versatile, affordably priced development tools for this μC are available from Maxim and third-party suppliers. These tools include:

- Compilers
- Evaluation kits
- JTAG-to-serial converters for programming and debugging

A list of some development-tool vendors can be found at www.maxim-ic.com/microcontrollers.

Technical support is available through email at maxq.support@maxim-ic.com.

16-Bit, RISC, Microcontroller-Based, Smart Data-Acquisition System

Table 3. System Register Bit Functions and Reset Values

REGISTER	REGISTER BIT															
	15	14	13	12	11	10	9	8	7	6	5	4	3	2	1	0
AP									—	—	—	—	AP (4 Bits)			
									0	0	0	0	0	0	0	0
APC									CLR	IDS	—	—	—	MOD2	MOD1	MOD0
									0	0	0	0	0	0	0	0
PSF									Z	S	—	GPF1	GPF0	OV	C	E
									1	0	0	0	0	0	0	0
IC									—	—	CGDS	—	—	—	INS	IGE
									0	0	0	0	0	0	0	0
IMR									IMS	—	IM5	IM4	IM3	IM2	IM1	IM0
									0	0	0	0	0	0	0	0
SC									TAP	—	CDA1	CDA0	UPA	ROD	PWL	—
									1	0	0	0	0	0	s*	0
IIR									IIS	—	Ii5	Ii4	Ii3	Ii2	Ii1	Ii0
									0	0	0	0	0	0	0	0
CKCN									XT	—	RGMD	STOP	SWB	—	—	CD0
									s*	0	s*	0	0	0	0	1
WDCN									POR	EWDI	WD1	WDO	WDIF	WTRF	EWT	RWT
									s*	s*	0	0	0	s*	s*	0
A[n] (0..15)	A[n] (16 Bits)															
	0	0	0	0	0	0	0	0	0	0	0	0	0	0	0	0
PFX[n] (0..15)	PFX[n] (16 Bits)															
	0	0	0	0	0	0	0	0	0	0	0	0	0	0	0	0
IP	IP (16 Bits)															
	1	0	0	0	0	0	0	0	0	0	0	0	0	0	0	0
SP	SP (4 Bits)															
	0	0	0	0	0	0	0	0	0	0	0	1	1	1	1	1
IV	IV (16 Bits)															
	0	0	0	0	0	0	0	0	0	0	0	0	0	0	0	0
LC[0]	LC[0] (16 Bits)															
	0	0	0	0	0	0	0	0	0	0	0	0	0	0	0	0
LC[1]	LC[1] (16 Bits)															
	0	0	0	0	0	0	0	0	0	0	0	0	0	0	0	0
OFFS	OFFS (8 Bits)															
	—	—	—	—	—	—	—	—	—	—	—	WBS2	WBS1	WBS0	SDPS1	SDPS0
DPC	0	0	0	0	0	0	0	0	0	0	0	1	1	1	1	1
GR	GR.15	GR.14	GR.13	GR.12	GR.11	GR.10	GR.9	GR.8	GR.7	GR.6	GR.5	GR.4	GR.3	GR.2	GR.1	GR.0
	0	0	0	0	0	0	0	0	0	0	0	0	0	0	0	0
GRL									GR.7	GR.6	GR.5	GR.4	GR.3	GR.2	GR.1	GR.0
									0	0	0	0	0	0	0	0
BP	BP (16 Bits)															
	0	0	0	0	0	0	0	0	0	0	0	0	0	0	0	0
GRS	GR.7	GR.6	GR.5	GR.4	GR.3	GR.2	GR.1	GR.0	GR.15	GR.14	GR.13	GR.12	GR.11	GR.10	GR.9	GR.8
	0	0	0	0	0	0	0	0	0	0	0	0	0	0	0	0
GRH									GR.15	GR.14	GR.13	GR.12	GR.11	GR.10	GR.9	GR.8
									0	0	0	0	0	0	0	0
GRXL	GR.7	GR.7	GR.7	GR.7	GR.7	GR.7	GR.7	GR.7	GR.7	GR.6	GR.5	GR.4	GR.3	GR.2	GR.1	GR.0
	0	0	0	0	0	0	0	0	0	0	0	0	0	0	0	0
FP	FP (16 Bits)															
	0	0	0	0	0	0	0	0	0	0	0	0	0	0	0	0
DP[0]	DP[0] (16 Bits)															
	0	0	0	0	0	0	0	0	0	0	0	0	0	0	0	0
DP[1]	DP[1] (16 Bits)															
	0	0	0	0	0	0	0	0	0	0	0	0	0	0	0	0

*Bits indicated by an "s" are only affected by a POR and not by other forms of reset. These bits are set to 0 after a POR. Refer to the MAXQ7665/MAXQ7666 User's Guide for more information.

16-Bit, RISC, Microcontroller-Based, Smart Data-Acquisition System

MAXQ7666

Table 4. Peripheral Register Map

REGISTER INDEX	MODULE NAME (BASE SPECIFIER)					
	M0 (0h)	M1 (1h)	M2 (2h)	M3 (3h)	M4 (4h)	M5 (5h)
0h	PO0	MCNT	T2CNA0	T2CNA2	C0C	VMC
1h	—	MA	T2H0	T2H2	C0S	APE
2h	—	MB	T2RH0	T2RH2	C0IR	ACNT
3h	EIF0	MC2	T2CH0	T2CH2	C0TE	DCNT
4h	—	MC1	T2CNA1	—	C0RE	DACI
5h	—	MC0	T2H1	—	COR	—
6h	—	—	T2RH1	—	C0DP	DACO
7h	SBUFO	—	T2CH1	—	C0DB	—
8h	PI0	—	T2BNB0	T2CNB2	C0RMS	ADCD
9h	—	—	T2V0	T2V2	C0TMA	TSO
Ah	—	FCNTL	T2R0	T2R2	—	AIE
Bh	EIE0	FDATA	T2C0	T2C2	—	ASR
Ch	—	MC1R	T2CNB1	—	—	OSCC
Dh	—	MC0R	T2V1	—	—	—
Eh	—	—	T2R1	—	—	—
Fh	—	—	T2C1	—	—	—
10h	PDO	—	T2CFG0	T2CFG2	—	—
11h	—	—	T2CFG1	—	C0M1C	—
12h	—	—	—	—	C0M2C	—
13h	EIES0	—	—	—	C0M3C	—
14h	—	—	—	—	C0M4C	—
15h	—	—	—	—	C0M5C	—
16h	—	—	—	—	C0M6C	—
17h	—	—	—	—	C0M7C	—
18h	—	—	ICDT0	—	C0M8C	—
19h	—	—	ICDT1	—	C0M9C	—
1Ah	—	—	ICDC	—	C0M10C	—
1Bh	—	—	ICDF	—	C0M11C	—
1Ch	—	Reserved	ICDB	—	C0M12C	—
1Dh	SCON0	—	ICDA	—	C0M13C	—
1Eh	SMD0	—	ICDD	—	C0M14C	—
1Fh	PRO	—	—	—	C0M15C	—

Note: Names that appear in bold indicate that the register is read-only.

16-Bit, RISC, Microcontroller-Based, Smart Data-Acquisition System

Table 5. Peripheral Register Bit Functions and Reset Values

REGISTER	REGISTER BIT															
	15	14	13	12	11	10	9	8	7	6	5	4	3	2	1	0
PO0 (M0, 0h)	—	—	—	—	—	—	—	PO0.7	PO0.6	PO0.5	PO0.4	PO0.3	PO0.2	PO0.1	PO0.0	
EI F0	—	—	—	—	—	—	—	IE7	IE6	IE5	IE4	IE3	IE2	IE1	IE0	
SBU F0 (M0, 3h)	—	—	—	—	—	—	—	SBU F0.7	SBU F0.6	SBU F0.5	SBU F0.4	SBU F0.3	SBU F0.2	SBU F0.1	SBU F0.0	
Pi0	—	—	—	—	—	—	—	PI0.7	PI0.6	PI0.5	PI0.4	PI0.3	PI0.2	PI0.1	PI0.0	
EIE0 (M0, 8h)	—	—	—	—	—	—	—	EX7	EX6	EX5	EX4	EX3	EX2	EX1	EX0	
PD0 (M0, Bh)	—	—	—	—	—	—	—	PD0.7	PD0.6	PD0.5	PD0.4	PD0.3	PD0.2	PD0.1	PD0.0	
EIES0 (M0, 10h)	—	—	—	—	—	—	—	IT7	IT6	IT5	IT4	IT3	IT2	IT1	IT0	
SCON0 (M0, 13h)	—	—	—	—	—	—	—	SM0/FE	SM1	SM2	REN	FB8	FB8	TI	RI	
SMOD (M0, 1Dh)	—	—	—	—	—	—	—	—	—	—	—	—	—	—	—	
SMOD (M0, 1Eh)	—	—	—	—	—	—	—	—	—	—	—	—	—	—	—	
PR0 (M0, 1Fh)	PR0.15	PR0.14	PR0.13	PR0.12	PR0.11	PR0.10	PR0.9	PR0.8	PR0.7	PR0.6	PR0.5	PR0.4	PR0.3	PR0.2	PR0.1	PR0.0
MCNT (M1, 0h)	—	—	—	—	—	—	—	—	OF	MCW	CLD	SQU	OPCS	MSUB	MMAC	SUS
MA (M1, 1h)	MA.15	MA.14	MA.13	MA.12	MA.11	MA.10	MA.9	MA.8	MA.7	MA.6	MA.5	MA.4	MA.3	MA.2	MA.1	MA.0
MB (M1, 2h)	MB.15	MB.14	MB.13	MB.12	MB.11	MB.10	MB.9	MB.8	MB.7	MB.6	MB.5	MB.4	MB.3	MB.2	MB.1	MB.0
MC2 (M1, 3h)	MC2.15	MC2.14	MC2.13	MC2.12	MC2.11	MC2.10	MC2.9	MC2.8	MC2.7	MC2.6	MC2.5	MC2.4	MC2.3	MC2.2	MC2.1	MC2.0
MC1 (M1, 4h)	MC1.15	MC1.14	MC1.13	MC1.12	MC1.11	MC1.10	MC1.9	MC1.8	MC1.7	MC1.6	MC1.5	MC1.4	MC1.3	MC1.2	MC1.1	MC1.0
MC0 (M1, 5h)	MC0.15	MC0.14	MC0.13	MC0.12	MC0.11	MC0.10	MC0.9	MC0.8	MC0.7	MC0.6	MC0.5	MC0.4	MC0.3	MC0.2	MC0.1	MC0.0
FCNTL (M1, Ah)	—	—	—	—	—	—	—	—	FBUSY	FERR	FINE	FBYP	DQ5	FC2	FC1	—
FDATA (M1, Bh)	FDATA.15	FDATA.14	FDATA.13	FDATA.12	FDATA.11	FDATA.10	FDATA.9	FDATA.8	FDATA.7	FDATA.6	FDATA.5	FDATA.4	FDATA.3	FDATA.2	FDATA.1	FDATA.0
MC1R (M1, Ch)	MC1R.15	MC1R.14	MC1R.13	MC1R.12	MC1R.11	MC1R.10	MC1R.9	MC1R.8	MC1R.7	MC1R.6	MC1R.5	MC1R.4	MC1R.3	MC1R.2	MC1R.1	MC1R.0
MC0R (M1, Dh)	MC0R.15	MC0R.14	MC0R.13	MC0R.12	MC0R.11	MC0R.10	MC0R.9	MC0R.8	MC0R.7	MC0R.6	MC0R.5	MC0R.4	MC0R.3	MC0R.2	MC0R.1	MC0R.0
FADDR (M1, 1Ch)	FADDR.15	FADDR.14	FADDR.13	FADDR.12	FADDR.11	FADDR.10	FADDR.9	FADDR.8	FADDR.7	FADDR.6	FADDR.5	FADDR.4	FADDR.3	FADDR.2	FADDR.1	FADDR.0
T2CN A0 (M2, 0h)	—	—	—	—	—	—	—	—	EI2	T2OE0	T2POL0	TR2L	TR2	CPRL2	SS2	G2EN
T2H0 (M2, 1h)	—	—	—	—	—	—	—	—	T2H0.7	T2H0.6	T2H0.5	T2H0.4	T2H0.3	T2H0.2	T2H0.1	T2H0.0

16-Bit, RISC, Microcontroller-Based, Smart Data-Acquisition System

MAX9266

Table 5. Peripheral Register Bit Functions and Reset Values (continued)

REGISTER	REGISTERED BIT															
	15	14	13	12	11	10	9	8	7	6	5	4	3	2	1	0
T2RH0 (M2, 2h)	—	—	—	—	—	—	—	T2RH0.7	T2RH0.6	T2RH0.5	T2RH0.4	T2RH0.3	T2RH0.2	T2RH0.1	T2RH0.0	
T2CH0 (M2, 3h)	—	—	—	—	—	—	—	T2CH0.7	T2CH0.6	T2CH0.5	T2CH0.4	T2CH0.3	T2CH0.2	T2CH0.1	T2CH0.0	
T2CNA1 (M2, 4h)	—	—	—	—	—	—	—	ET2	T2OE0	T2POL0	TR2L	TR2	CPRL2	SS2	G2EN	
T2H1 (M2, 5h)	—	—	—	—	—	—	—	T2H1.7	T2H1.6	T2H1.5	T2H1.4	T2H1.3	T2H1.2	T2H1.1	T2H1.0	
T2RH1 (M2, 6h)	—	—	—	—	—	—	—	T2RH1.7	T2RH1.6	T2RH1.5	T2RH1.4	T2RH1.3	T2RH1.2	T2RH1.1	T2RH1.0	
T2CH1 (M2, 7h)	—	—	—	—	—	—	—	T2CH1.7	T2CH1.6	T2CH1.5	T2CH1.4	T2CH1.3	T2CH1.2	T2CH1.1	T2CH1.0	
T2CNB0 (M2, 8h)	—	—	—	—	—	—	—	ET2L	—	—	—	TF2	TF2L	TOC2	TC2L	
T2V0 (M2, 9h)	T2V0.15	T2V0.14	T2V0.13	T2V0.12	T2V0.11	T2V0.10	T2V0.9	T2V0.8	T2V0.7	T2V0.6	T2V0.5	T2V0.4	T2V0.3	T2V0.2	T2V0.1	T2V0.0
T2R0 (M2, Ah)	0	0	0	0	0	0	0	0	0	0	0	0	0	0	0	0
T2C0 (M2, Bh)	T2C0.15	T2C0.14	T2C0.13	T2C0.12	T2C0.11	T2C0.10	T2C0.9	T2C0.8	T2C0.7	T2C0.6	T2C0.5	T2C0.4	T2C0.3	T2C0.2	T2C0.1	T2C0.0
T2CNB1 (M2, Ch)	0	0	0	0	0	0	0	0	0	0	0	0	0	0	0	0
T2V1 (M2, Dh)	T2V1.15	T2V1.14	T2V1.13	T2V1.12	T2V1.11	T2V1.10	T2V1.9	T2V1.8	T2V1.7	T2V1.6	T2V1.5	T2V1.4	T2V1.3	T2V1.2	T2V1.1	T2V1.0
T2R1 (M2, Eh)	0	0	0	0	0	0	0	0	0	0	0	0	0	0	0	0
T2C1 (M2, Fh)	T2C1.15	T2C1.14	T2C1.13	T2C1.12	T2C1.11	T2C1.10	T2C1.9	T2C1.8	T2C1.7	T2C1.6	T2C1.5	T2C1.4	T2C1.3	T2C1.2	T2C1.1	T2C1.0
T2CFG0 (M2, 10h)	0	0	0	0	0	0	0	0	0	T2DV2	T2DIV1	T2DIV0	T2MD	CCF1	CCF0	C/12
T2CFG1 (M2, 11h)	0	0	0	0	0	0	0	0	0	T2DV2	T2DIV1	T2DIV0	T2MD	CCF1	CCF0	C/12
ICDT0 (M2, 18h)	ICDT0.15	ICDT0.14	ICDT0.13	ICDT0.12	ICDT0.11	ICDT0.10	ICDT0.9	ICDT0.8	ICDT0.7	ICDT0.6	ICDT0.5	ICDT0.4	ICDT0.3	ICDT0.2	ICDT0.1	ICDT0.0
ICDT1 (M2, 19h)	ICDT1.15	ICDT1.14	ICDT1.13	ICDT1.12	ICDT1.11	ICDT1.10	ICDT1.9	ICDT1.8	ICDT1.7	ICDT1.6	ICDT1.5	ICDT1.4	ICDT1.3	ICDT1.2	ICDT1.1	ICDT1.0
ICDC (M2, 1Ah)	—	—	—	—	—	—	—	—	DME	—	REGE	—	CMD3	CMD2	CMD1	CMD0
ICDF (M2, 1Bh)	—	—	—	—	—	—	—	—	DW	—	DW	—	PSS1	PSS0	SPE	TXC
ICDB (M2, 1Ch)	—	—	—	—	—	—	—	—	—	—	—	—	—	—	—	—
ICDA (M2, 1Dh)	—	—	—	—	—	—	—	—	—	—	—	—	—	—	—	—
ICDD (M2, 1Eh)	ICDD.15	ICDD.14	ICDD.13	ICDD.12	ICDD.11	ICDD.10	ICDD.9	ICDD.8	ICDD.7	ICDD.6	ICDD.5	ICDD.4	ICDD.3	ICDD.2	ICDD.1	ICDD.0
T2CNA2 (M3, 0h)	—	—	—	—	—	—	—	—	ET2	T2OE0	T2POL0	TR2L	TR2	CPRL2	SS2	G2EN
T2H2 (M3, 1h)	—	—	—	—	—	—	—	—	T2H2.7	T2H2.6	T2H2.5	T2H2.4	T2H2.3	T2H2.2	T2H2.1	T2H2.0
T2RH2 (M3, 2h)	—	—	—	—	—	—	—	—	T2RH2.7	T2RH2.6	T2RH2.5	T2RH2.4	T2RH2.3	T2RH2.2	T2RH2.1	T2RH2.0
T2CH2 (M3, 3h)	—	—	—	—	—	—	—	—	T2CH2.7	T2CH2.6	T2CH2.5	T2CH2.4	T2CH2.3	T2CH2.2	T2CH2.1	T2CH2.0

16-Bit, RISC, Microcontroller-Based, Smart Data-Acquisition System

Table 5. Peripheral Register Bit Functions and Reset Values (continued)

REGISTER	REGISTER BIT															
	15	14	13	12	11	10	9	8	7	6	5	4	3	2	1	0
T2CNB2 (M3, 8h)	—	—	—	—	—	—	—	—	—	—	—	—	—	—	—	—
T2V2	T2V2.15	T2V2.14	T2V2.13	T2V2.12	T2V2.11	T2V2.10	T2V2.9	T2V2.8	T2V2.7	T2V2.6	T2V2.5	T2V2.4	T2V2.3	T2V2.2	T2V2.1	T2V2.0
(M3, 9h)	0	0	0	0	0	0	0	0	0	0	0	0	0	0	0	0
T2R2	T2R2.15	T2R2.14	T2R2.13	T2R2.12	T2R2.11	T2R2.10	T2R2.9	T2R2.8	T2R2.7	T2R2.6	T2R2.5	T2R2.4	T2R2.3	T2R2.2	T2R2.1	T2R2.0
(M3, Ah)	0	0	0	0	0	0	0	0	0	0	0	0	0	0	0	0
T2C2	T2C2.15	T2C2.14	T2C2.13	T2C2.12	T2C2.11	T2C2.10	T2C2.9	T2C2.8	T2C2.7	T2C2.6	T2C2.5	T2C2.4	T2C2.3	T2C2.2	T2C2.1	T2C2.0
(M3, Dh)	0	0	0	0	0	0	0	0	0	0	0	0	0	0	0	0
T2CFG2 (M3, 10h)	—	—	—	—	—	—	—	—	—	T2DM2	T2DIV1	T2DIV0	T2MD	CCF1	CCF0	C72
COC (M4, 0h)	—	—	—	—	—	—	—	—	—	—	—	—	—	—	—	—
COS (M4, 1h)	—	—	—	—	—	—	—	—	—	—	—	—	—	—	—	—
COIR (M4, 2h)	—	—	—	—	—	—	—	—	—	—	—	—	—	—	—	—
COTE (M4, 3h)	—	—	—	—	—	—	—	—	—	—	—	—	—	—	—	—
CORE (M4, 4h)	—	—	—	—	—	—	—	—	—	—	—	—	—	—	—	—
COR (M4, 5h)	—	—	—	—	—	—	—	—	—	—	—	—	—	—	—	—
CODP (M4, 6h)	—	—	—	—	—	—	—	—	—	—	—	—	—	—	—	—
CODB (M4, 7h)	—	—	—	—	—	—	—	—	—	—	—	—	—	—	—	—
CORMS (M4, 8h)	—	—	—	—	—	—	—	—	—	—	—	—	—	—	—	—
COTMA (M4, 9h)	—	—	—	—	—	—	—	—	—	—	—	—	—	—	—	—
COM1C (M4, 11h)	—	—	—	—	—	—	—	—	—	—	—	—	—	—	—	—
COM2C (M4, 12h)	—	—	—	—	—	—	—	—	—	—	—	—	—	—	—	—
COM3C (M4, 13h)	—	—	—	—	—	—	—	—	—	—	—	—	—	—	—	—
COM4C (M4, 14h)	—	—	—	—	—	—	—	—	—	—	—	—	—	—	—	—
COM5C (M4, 15h)	—	—	—	—	—	—	—	—	—	—	—	—	—	—	—	—
COM6C (M4, 16h)	—	—	—	—	—	—	—	—	—	—	—	—	—	—	—	—
COM7C (M4, 17h)	—	—	—	—	—	—	—	—	—	—	—	—	—	—	—	—
COM8C (M4, 18h)	—	—	—	—	—	—	—	—	—	—	—	—	—	—	—	—
COM9C (M4, 19h)	—	—	—	—	—	—	—	—	—	—	—	—	—	—	—	—
COM10C (M4, 1Ah)	—	—	—	—	—	—	—	—	—	—	—	—	—	—	—	—
COM11C (M4, 1Bh)	—	—	—	—	—	—	—	—	—	—	—	—	—	—	—	—
COM12C (M4, 1Ch)	—	—	—	—	—	—	—	—	—	—	—	—	—	—	—	—
COM13C (M4, 1Dh)	—	—	—	—	—	—	—	—	—	—	—	—	—	—	—	—

16-Bit, RISC, Microcontroller-Based, Smart Data-Acquisition System

MAX927666

Table 5. Peripheral Register Bit Functions and Reset Values (continued)

REGISTER	15	14	13	12	11	10	9	8	7	6	5	4	3	2	1	0
	REGISTER BIT															
COM14C (M4, 1Eh)	—	—	—	—	—	—	—	—	MSRDY	ETI	ERI	INTRQ	EXTRQ	MTRQ	ROW/TH	DTUP
COM15C (M4, 1Fh)	0	0	0	0	0	—	—	—	MSRDY	ETI	ERI	INTRQ	EXTRQ	MTRQ	ROW/TH	DTUP
VMC (M5, 0h)	—	—	—	—	—	—	—	—	—	—	VIOB1	VIOB0	VDBI1	VDBI0	VDBR1	VDBR0
APE (M5, 1h)	—	—	—	VIBE	VDBE	VDPE	—	—	PGG2	PGG1	PGG0	TSE	PGAE	—	DACE	ADCE
ACNT (M5, 2h)	0	0	0	0	0	1	0	—	—	ADCDUL	—	ADCCASD	ADCBY	ADCS2	ADCS1	ADCS0
DCNT (M5, 3h)	—	—	—	—	—	—	—	—	—	—	—	—	—	—	—	—
DACI (M5, 4h)	—	—	—	—	—	—	—	—	—	—	—	—	—	—	—	—
DACO (M5, 6h)	—	—	—	—	—	—	—	—	—	—	—	—	—	—	—	—
ADCD (M5, 8h)	—	—	—	—	—	—	—	—	—	—	—	—	—	—	—	—
TSO (M5, 9h)	0	0	0	0	0	0	0	0	0	0	0	0	0	0	0	0
AIE (M5, Ah)	—	—	—	—	—	—	—	—	—	—	—	—	—	—	—	—
ASR (M5, Bh)	0	0	0	0	0	0	0	0	0	0	0	0	0	0	0	0
OSCC (M5, Ch)	—	—	—	—	—	—	—	—	—	—	—	—	—	—	—	—

Bits indicated by "—" are unused.

Bits indicated by "ST" reflect the input signal state.

Bits indicated by "S" are only affected by a POR and not by other forms of reset. These bits are set to 0 after a POR.

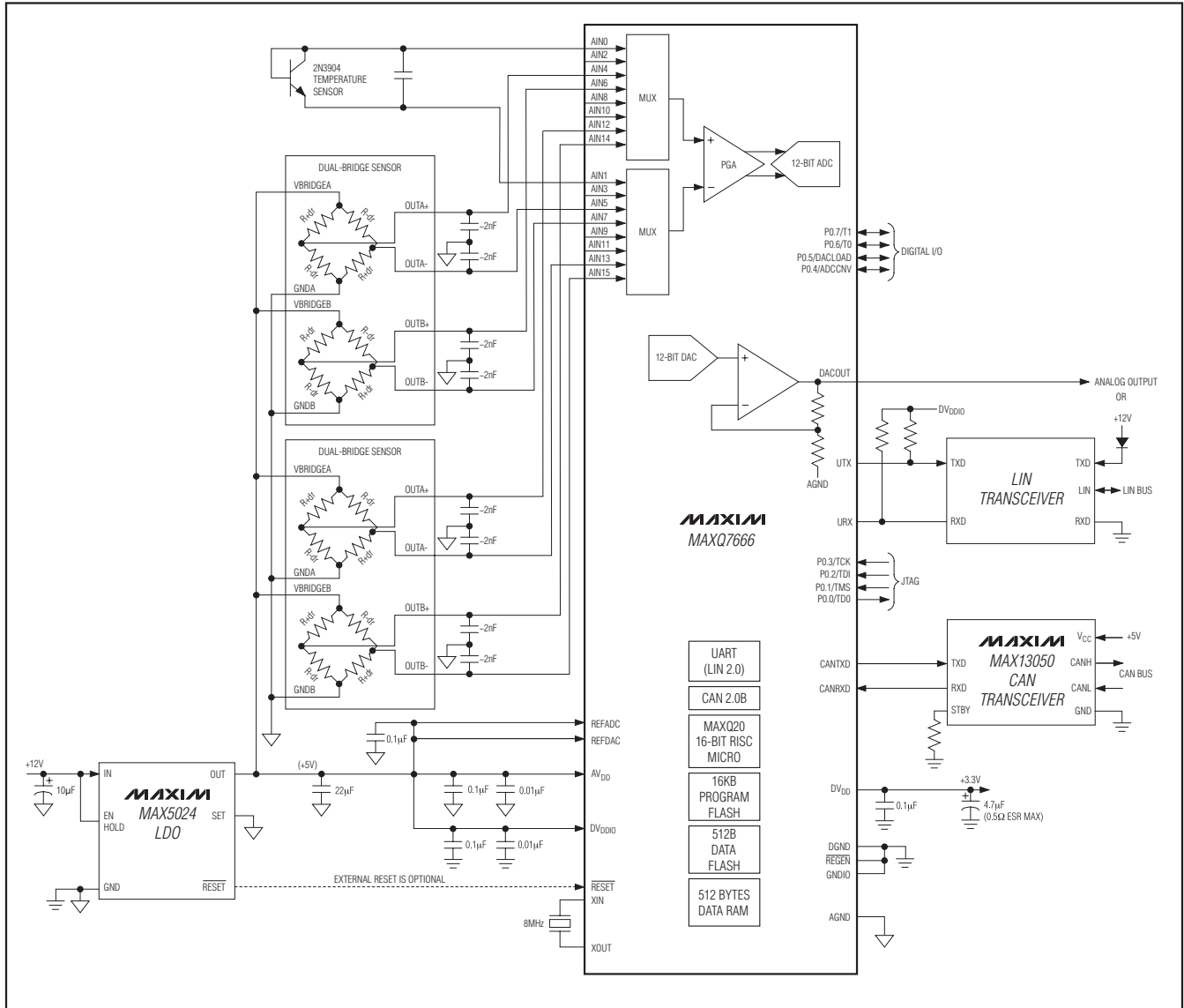
Bits indicated by "DB" have read/write access only in background or debug mode. These bits are cleared after a POR.

Bits indicated by "DW" are only written to in debug mode. These bits are cleared after a POR.

The OSCC register is cleared to 0002h after a POR and is not affected by other forms of reset.

16-Bit, RISC, Microcontroller-Based, Smart Data-Acquisition System

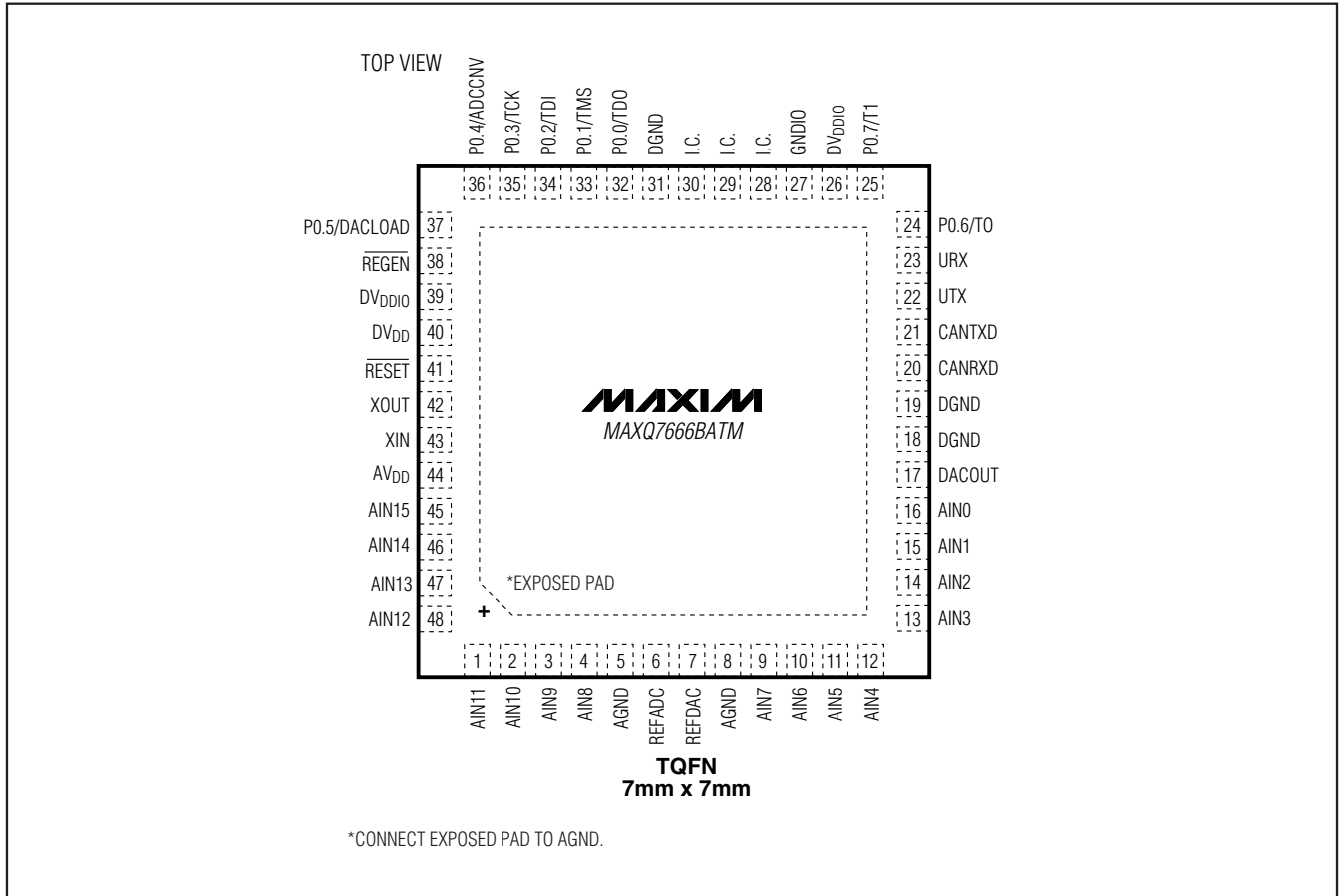
Typical Operating Circuit



16-Bit, RISC, Microcontroller-Based, Smart Data-Acquisition System

MAXQ7666

Pin Configuration



Chip Information

PROCESS: BiCMOS and CMOS

Package Information

For the latest package outline information and land patterns, go to www.maxim-ic.com/packages.

Ordering Information

PART	TEMP RANGE	PIN-PACKAGE
MAXQ7666BATM+	-40°C to +125°C	48 TQFN-EP*

+Denotes a lead(Pb)-free/RoHS-compliant package.

*EP = Exposed pad.

PACKAGE TYPE	PACKAGE CODE	DOCUMENT NO.
48 TQFN-EP	T4877MK-6	21-0199

Maxim cannot assume responsibility for use of any circuitry other than circuitry entirely embodied in a Maxim product. No circuit patent licenses are implied. Maxim reserves the right to change the circuitry and specifications without notice at any time.

Maxim Integrated Products, 120 San Gabriel Drive, Sunnyvale, CA 94086 408-737-7600 _____ **49**