

74LVT125

3.3 V quad buffer; 3-state

Rev. 05 — 10 February 2005

Product data sheet

1. General description

The LVT125 is a high-performance BiCMOS product designed for V_{CC} operation at 3.3 V.

This device combines low static and dynamic power dissipation with high speed and high output drive. The 74LVT125 device is a quad buffer that is ideal for driving bus lines. The device features four output enable inputs ($1\overline{OE}$, $2\overline{OE}$, $3\overline{OE}$ and $4\overline{OE}$), each controlling one of the 3-state outputs.

2. Features

- Quad bus interface
- 3-state buffers
- Output capability: +64 mA and -32 mA
- TTL input and output switching levels
- Input and output interface capability to systems at 5 V supply
- Bus-hold data inputs eliminate the need for external pull-up resistors to hold unused inputs
- Live insertion and extraction permitted
- No bus current loading when output is tied to 5 V bus
- Power-up 3-state
- Latch-up protection:
 - ◆ JESD78: exceeds 500 mA
- ESD protection:
 - ◆ MIL STD 883 method 3015: exceeds 2000 V
 - ◆ Machine model: exceeds 200 V

3. Quick reference data

Table 1: Quick reference data

$GND = 0\text{ V}$; $T_{amb} = 25\text{ }^{\circ}\text{C}$.

Symbol	Parameter	Conditions	Min	Typ	Max	Unit
t_{PLH}	propagation delay nA to nY	$C_L = 50\text{ pF}$; $V_{CC} = 3.3\text{ V}$	-	2.7	-	ns
t_{PHL}	propagation delay nA to nY	$C_L = 50\text{ pF}$; $V_{CC} = 3.3\text{ V}$	-	2.9	-	ns
C_i	input capacitance	$V_i = 0\text{ V}$ or 3.0 V	-	4	-	pF
C_o	output capacitance	outputs disabled; $V_o = 0\text{ V}$ or 3.0 V	-	8	-	pF
I_{CC}	quiescent supply current	outputs disabled; $V_{CC} = 3.6\text{ V}$	-	0.13	-	mA

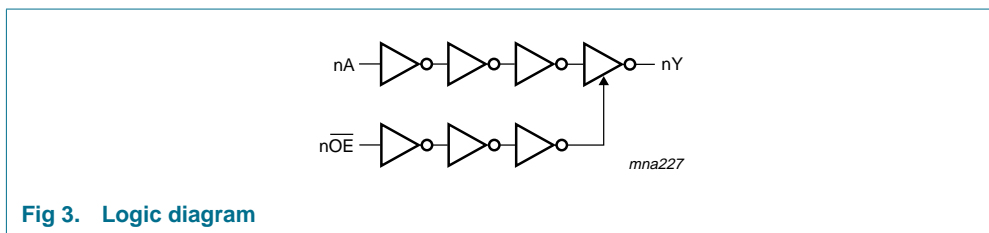
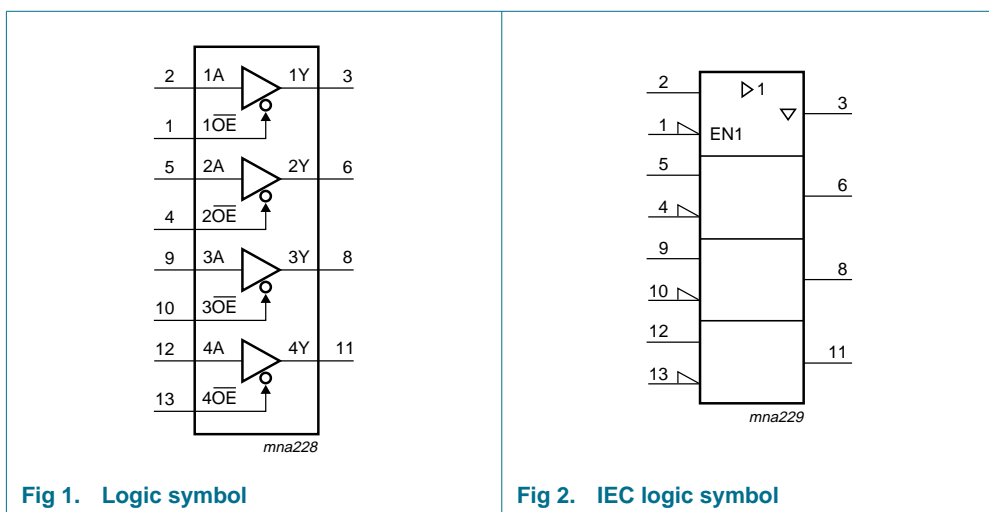
PHILIPS

4. Ordering information

Table 2: Ordering information

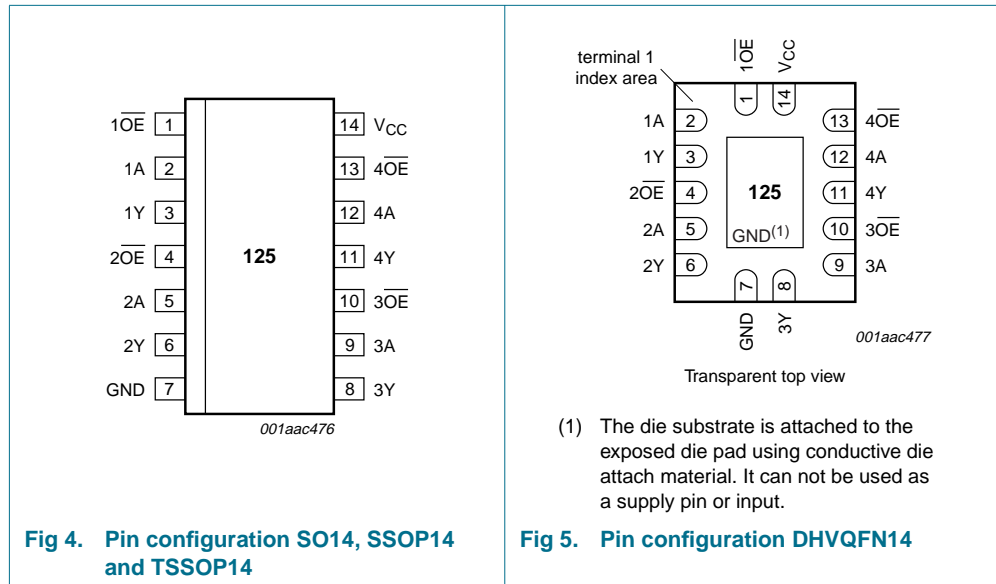
Type number	Package			Version
	Temperature range	Name	Description	
74LVT125D	-40 °C to +85 °C	SO14	plastic small outline package; 14 leads; body width 3.9 mm	SOT108-1
74LVT125DB	-40 °C to +85 °C	SSOP14	plastic shrink small outline package; 14 leads; body width 5.3 mm	SOT337-1
74LVT125PW	-40 °C to +85 °C	TSSOP14	plastic thin shrink small outline package; 14 leads; body width 4.4 mm	SOT402-1
74LVT125BQ	-40 °C to +85 °C	DHVQFN14	plastic dual in-line compatible thermal enhanced very thin quad flat package; no leads; 14 leads terminals; body 2.5 × 3 × 0.85 mm	SOT762-1

5. Functional diagram



6. Pinning information

6.1 Pinning



6.2 Pin description

Table 3: Pin description

Symbol	Pin	Description
$\overline{1OE}$	1	1 output enable input (active LOW)
1A	2	1 data input
1Y	3	1 data output
$\overline{2OE}$	4	2 output enable input (active LOW)
2A	5	2 data input
2Y	6	2 data output
GND	7	ground (0 V)
3Y	8	3 data output
3A	9	3 data input
$\overline{3OE}$	10	3 output enable input (active LOW)
4Y	11	4 data output
4A	12	4 data input
$\overline{4OE}$	13	4 output enable input (active LOW)
V _{CC}	14	supply voltage

7. Functional description

7.1 Function table

Table 4: Function table [1]

Input		Output
nOE	nA	nY
L	L	L
L	H	H
H	X	Z

- [1] H = HIGH voltage level;
 L = LOW voltage level;
 X = don't care;
 Z = high-impedance OFF-state.

8. Limiting values

Table 5: Limiting values

In accordance with the Absolute Maximum Rating System (IEC 60134). Voltages are referenced to GND (ground = 0 V).

Symbol	Parameter	Conditions	Min	Max	Unit
V _{CC}	supply voltage		-0.5	+4.6	V
V _I	input voltage		[1] -0.5	+7.0	V
V _O	output voltage	output in OFF-state or HIGH-state	[1] -0.5	+7.0	V
I _{IK}	input diode current	V _I < 0 V	-	-50	mA
I _{OK}	output diode current	V _O < 0 V	-	-50	mA
I _O	output current	output in LOW-state	-	128	mA
		output in HIGH-state	-	-64	mA
T _{stg}	storage temperature		-65	+150	°C
T _j	junction temperature		[2] -	150	°C

- [1] The input and output negative voltage ratings may be exceeded if the input and output clamp current ratings are observed.
- [2] The performance capability of a high-performance integrated circuit in conjunction with its thermal environment can create junction temperatures which are detrimental to reliability.

9. Recommended operating conditions

Table 6: Recommended operating conditions

Symbol	Parameter	Conditions	Min	Typ	Max	Unit
V_{CC}	supply voltage		2.7	-	3.6	V
V_I	input voltage		0	-	5.5	V
V_{IH}	HIGH-level input voltage		2.0	-	-	V
V_{IL}	LOW-level input voltage		-	-	0.8	V
I_{OH}	HIGH-level output current		-	-	-32	mA
I_{OL}	LOW-level output current	none	-	-	32	mA
		current duty cycle $\leq 50\%$; $f \geq 1$ kHz	-	-	64	mA
$\Delta t/\Delta V$	input transition rise or fall rate		0	-	10	ns/V
T_{amb}	ambient temperature	in free air	-40	-	+85	°C

10. Static characteristics

Table 7: Static characteristics

At recommended operating conditions; voltages are referenced to GND (ground = 0 V).

Symbol	Parameter	Conditions	Min	Typ	Max	Unit		
$T_{amb} = -40\text{ °C to }+85\text{ °C}$ [1]								
V_{IK}	input diode voltage	$I_{IK} = -18\text{ mA}$; $V_{CC} = 2.7\text{ V}$	-	-0.9	-1.2	V		
V_{OH}	HIGH-level output voltage	$I_{OH} = -100\text{ }\mu\text{A}$; $V_{CC} = 2.7\text{ V to }3.6\text{ V}$;	$V_{CC} - 0.2$	$V_{CC} - 0.1$	-	V		
		$I_{OH} = -8\text{ mA}$; $V_{CC} = 2.7\text{ V}$	2.4	2.5	-	V		
		$I_{OH} = -32\text{ mA}$; $V_{CC} = 3.0\text{ V}$	2.0	2.2	-	V		
V_{OL}	LOW-level output voltage	$V_{CC} = 2.7\text{ V}$						
		$I_{OL} = 100\text{ }\mu\text{A}$	-	0.1	0.2	V		
		$I_{OL} = 24\text{ mA}$	-	0.3	0.5	V		
		$V_{CC} = 3.0\text{ V}$						
		$I_{OL} = 16\text{ mA}$	-	0.25	0.4	V		
		$I_{OL} = 32\text{ mA}$	-	0.3	0.5	V		
I_{LI}	input leakage current	$I_{OL} = 64\text{ mA}$	-	0.4	0.55	V		
		all input pins	$V_{CC} = 0\text{ V or }3.6\text{ V}$; $V_I = 5.5\text{ V}$	-	1	10	μA	
		control pins	$V_{CC} = 3.6\text{ V}$; V_{CC} or GND	-	± 0.1	± 1	μA	
		data pins	$V_{CC} = 3.6\text{ V}$; $V_I = V_{CC}$	[2]	-	0.1	1	μA
			$V_{CC} = 3.6\text{ V}$; $V_I = 0\text{ V}$	[2]	-	-1	-5	μA
I_{OFF}	power-down output current	$V_{CC} = 0\text{ V}$; V_I or $V_O = 0\text{ V to }4.5\text{ V}$	-	1	± 100	μA		
I_{HOLD}	bus hold current nA input	$V_{CC} = 3\text{ V}$; $V_I = 0.8\text{ V}$	[3]	75	150	μA		
		$V_{CC} = 3\text{ V}$; $V_I = 2.0\text{ V}$		-75	-150	μA		
		$V_{CC} = 0\text{ V to }3.6\text{ V}$; $V_I = 3.6\text{ V}$		± 500	-	-	μA	

Table 7: Static characteristics ...continued

At recommended operating conditions; voltages are referenced to GND (ground = 0 V).

Symbol	Parameter	Conditions	Min	Typ	Max	Unit
I_{EX}	external current into output	output in HIGH-state when $V_O > V_{CC}$; $V_O = 5.5$ V and $V_{CC} = 3.0$ V	-	60	125	μ A
I_{PU}, I_{PD}	power-up or power-down 3-state output current	$V_{CC} \leq 1.2$ V; $V_O = 0.5$ V to V_{CC} ; $V_I = \text{GND}$ or V_{CC} ; $n\overline{OE} = \text{don't care}$	[4] -	± 1	± 100	μ A
I_{OZ}	3-state output current	$V_{CC} = 3.6$ V; $V_I = V_{IH}$ or V_{IL}				
		output HIGH: $V_O = 3.0$ V	-	1	5	μ A
		output LOW: $V_O = 0.5$ V	-	-1	-5	μ A
I_{CC}	quiescent supply current	$V_{CC} = 3.6$ V; $V_I = \text{GND}$ or V_{CC} ; $I_O = 0$ A				
		outputs HIGH	-	0.13	0.19	mA
		outputs LOW	-	2	7	mA
		outputs disabled	[5] -	0.13	0.19	mA
ΔI_{CC}	additional supply current per input pin	$V_{CC} = 3$ V to 3.6 V; one input at $V_{CC} - 0.6$ V and other inputs at V_{CC} or GND;	[6] -	0.1	0.2	mA
C_I	input capacitance	$V_I = 0$ V or 3.0 V	-	4	-	pF
C_O	output capacitance	outputs disabled; $V_O = 0$ V or 3.0 V	-	8	-	pF

[1] Typical values are measured at $V_{CC} = 3.3$ V and $T_{amb} = 25$ °C.[2] Unused pins at V_{CC} or GND.

[3] This is the bus hold overdrive current required to force the input to the opposite logic state.

[4] This parameter is valid for any V_{CC} between 0 V and 1.2 V with a transition time of up to 10 ms. From $V_{CC} = 1.2$ V to $V_{CC} = 3.3$ V ± 0.3 V a transition time of 100 μ s is permitted. This parameter is valid for $T_{amb} = 25$ °C only.[5] I_{CC} is measured with outputs pulled to V_{CC} or GND.[6] This is the increase in supply current for each input at the specified voltage level other than V_{CC} or GND.

11. Dynamic characteristics

Table 8: Dynamic characteristicsGND = 0 V; $t_r = t_f = 2.5$ ns; $C_L = 50$ pF; $R_L = 500$ Ω ; for test circuit see [Figure 8](#).

Symbol	Parameter	Conditions	Min	Typ	Max	Unit
$T_{amb} = -40$ °C to $+85$ °C [1]						
t_{PLH}	propagation delay nA to nY	$V_{CC} = 2.7$ V	-	-	4.5	ns
		$V_{CC} = 3.3$ V ± 0.3 V	1.0	2.7	4.0	ns
t_{PHL}	propagation delay nA to nY	$V_{CC} = 2.7$ V	-	-	4.9	ns
		$V_{CC} = 3.3$ V ± 0.3 V	1.0	2.9	3.9	ns
t_{PZH}	output enable time $n\overline{OE}$ to nY	$V_{CC} = 2.7$ V	-	-	6.0	ns
		$V_{CC} = 3.3$ V ± 0.3 V	1.0	3.4	4.7	ns
t_{PZL}	output enable time $n\overline{OE}$ to nY	$V_{CC} = 2.7$ V	-	-	6.5	ns
		$V_{CC} = 3.3$ V ± 0.3 V	1.1	3.4	4.7	ns

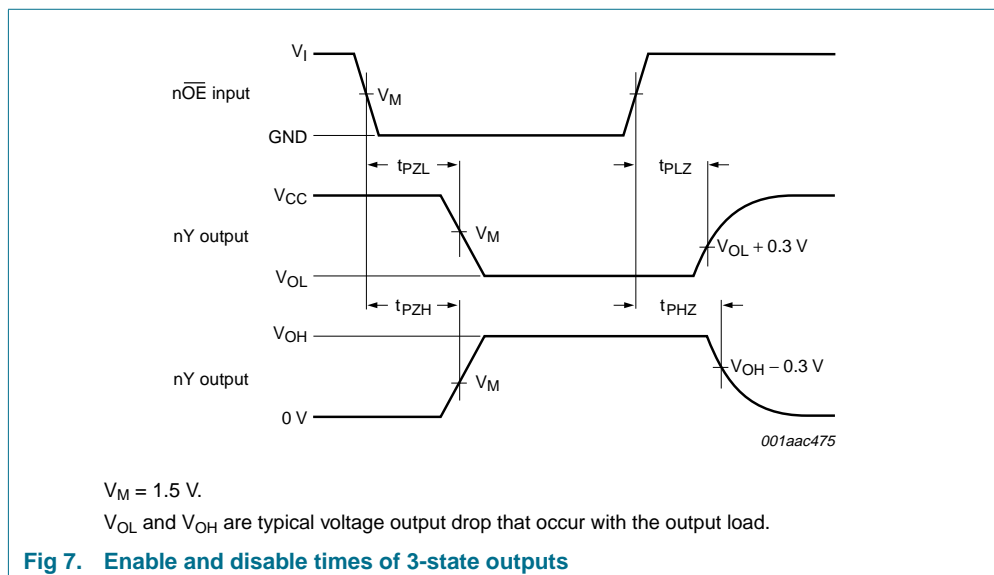
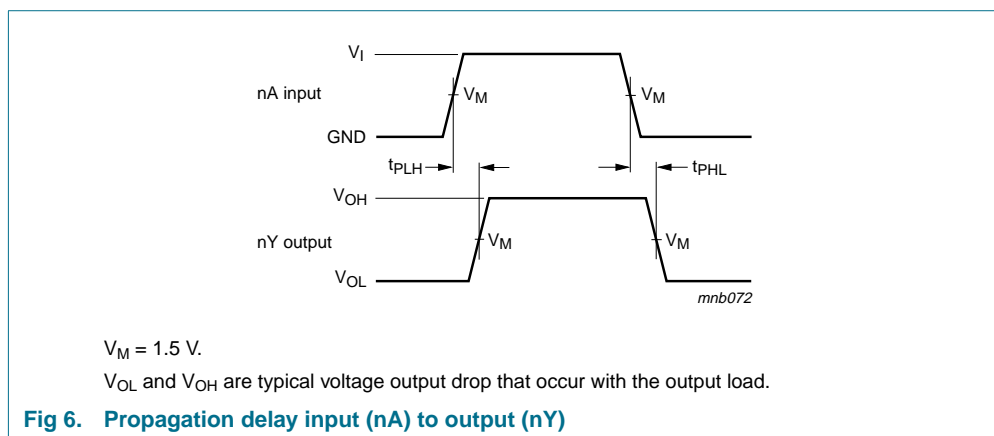
Table 8: Dynamic characteristics ...continued

$GND = 0\text{ V}$; $t_r = t_f = 2.5\text{ ns}$; $C_L = 50\text{ pF}$; $R_L = 500\ \Omega$; for test circuit see [Figure 8](#).

Symbol	Parameter	Conditions	Min	Typ	Max	Unit
t_{PHZ}	output disable time \overline{nOE} to nY	$V_{CC} = 2.7\text{ V}$	-	-	5.7	ns
		$V_{CC} = 3.3\text{ V} \pm 0.3\text{ V}$	1.8	3.7	5.1	ns
t_{PLZ}	output disable time \overline{nOE} to nY	$V_{CC} = 2.7\text{ V}$	-	-	4.0	ns
		$V_{CC} = 3.3\text{ V} \pm 0.3\text{ V}$	1.3	2.6	4.5	ns

[1] Typical values are at $V_{CC} = 3.3\text{ V}$ and $T_{amb} = 25\text{ }^\circ\text{C}$.

12. Waveforms



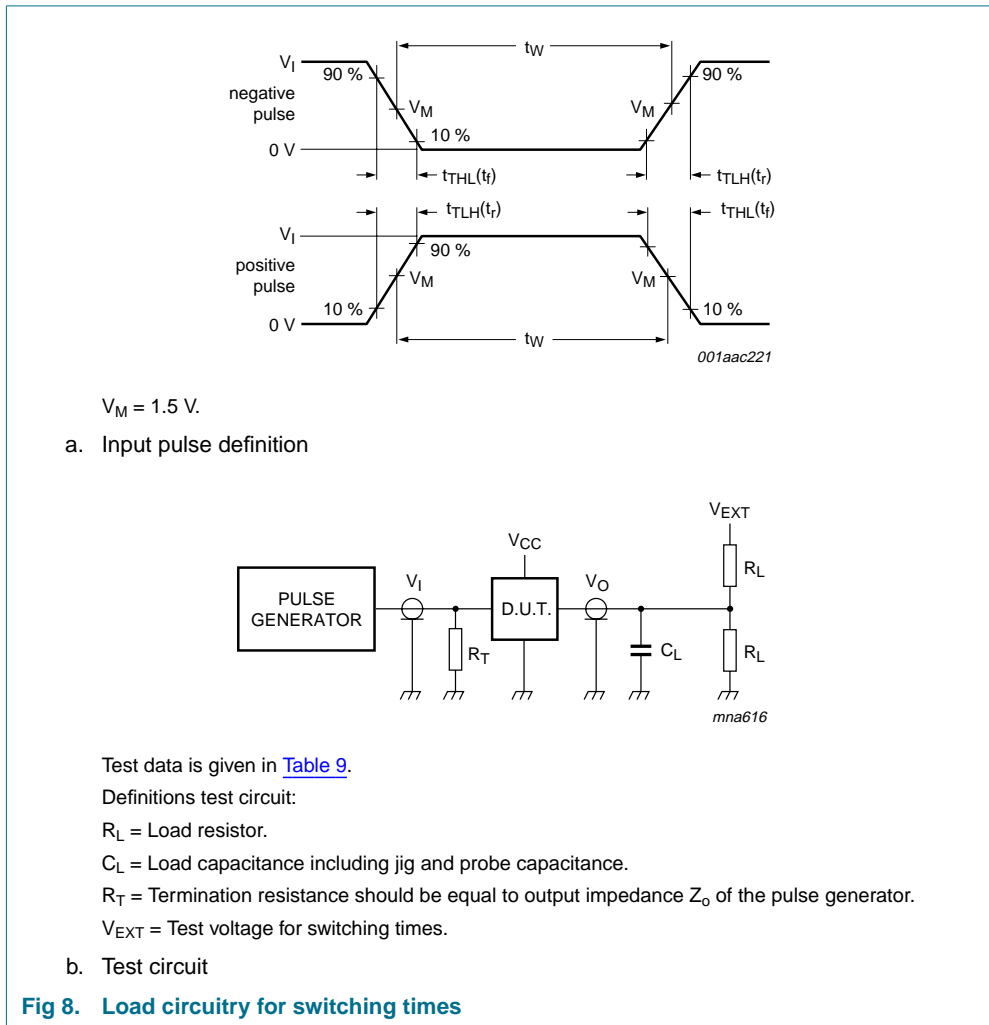


Table 9: Test data

Input				Load		V_{EXT}		
V_I	f_i	t_w	t_r, t_f	C_L	R_L	t_{PHZ}, t_{PZH}	t_{PLZ}, t_{PZL}	t_{PLH}, t_{PHL}
2.7 V	$\leq 10 \text{ MHz}$	500 ns	$\leq 2.5 \text{ ns}$	50 pF	500 Ω	GND	6 V	open

13. Package outline

SO14: plastic small outline package; 14 leads; body width 3.9 mm

SOT108-1

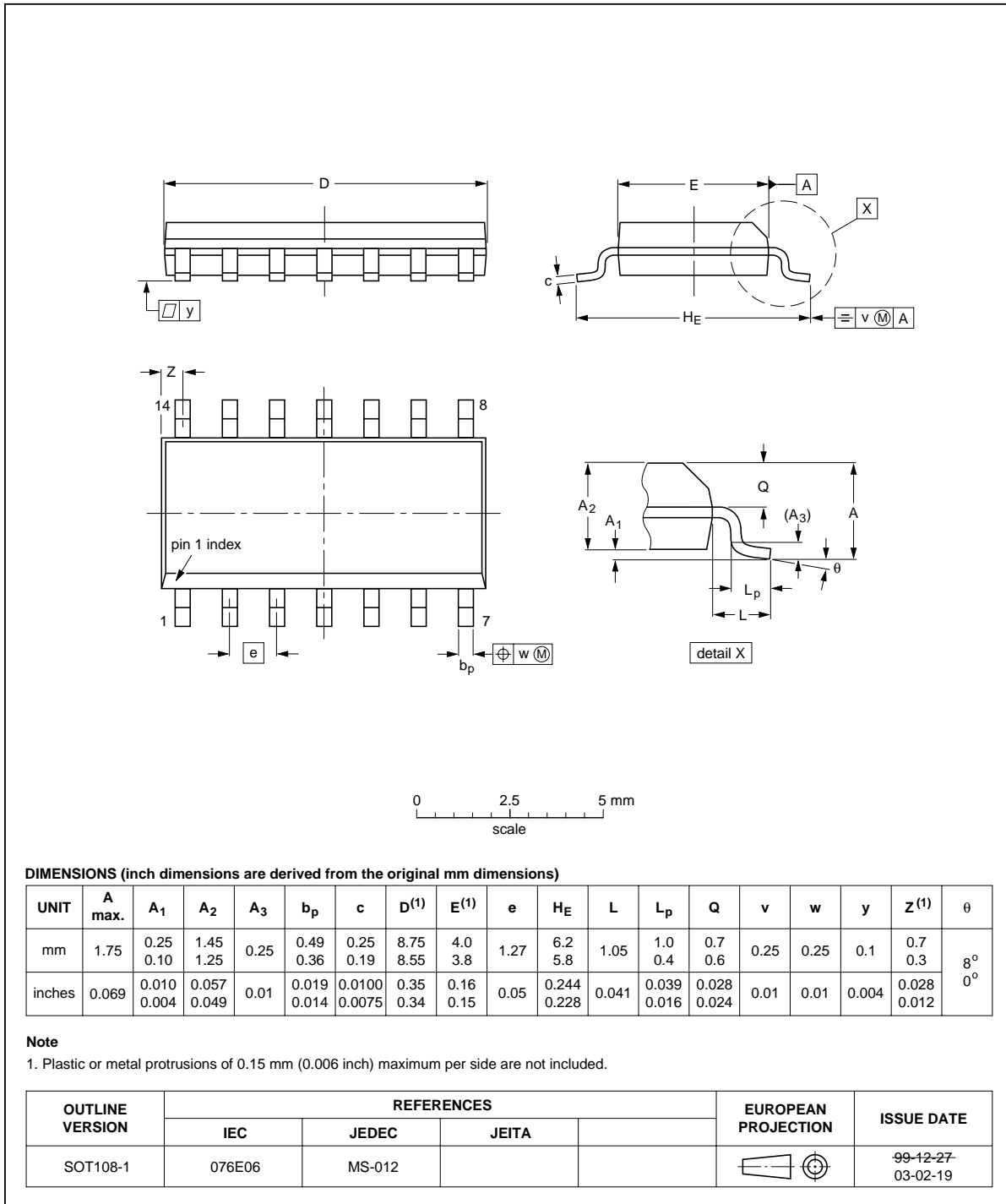


Fig 9. Package outline SO14 (SOT108-1)

SSOP14: plastic shrink small outline package; 14 leads; body width 5.3 mm

SOT337-1

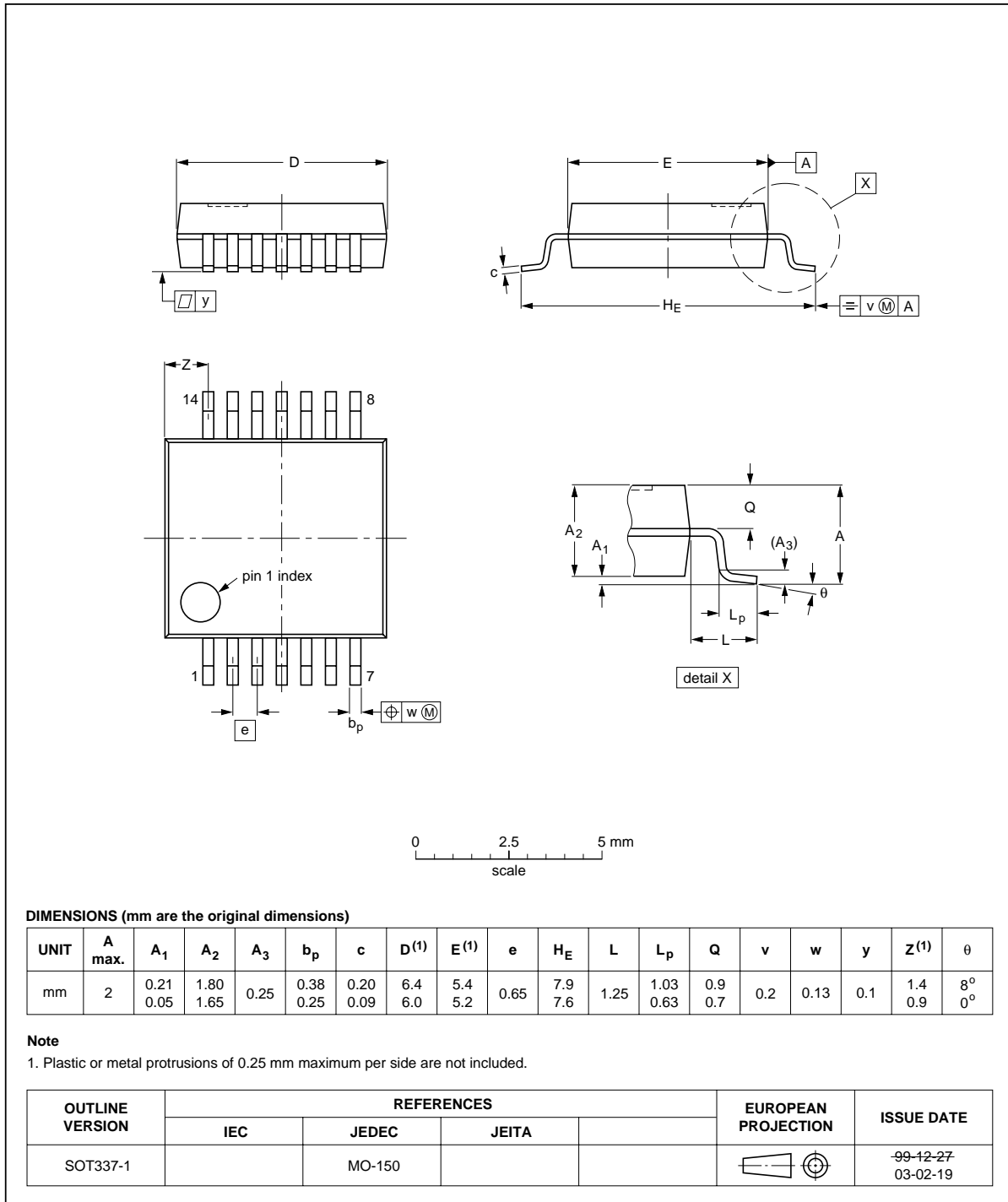


Fig 10. Package outline SSOP14 (SOT337-1)

TSSOP14: plastic thin shrink small outline package; 14 leads; body width 4.4 mm

SOT402-1

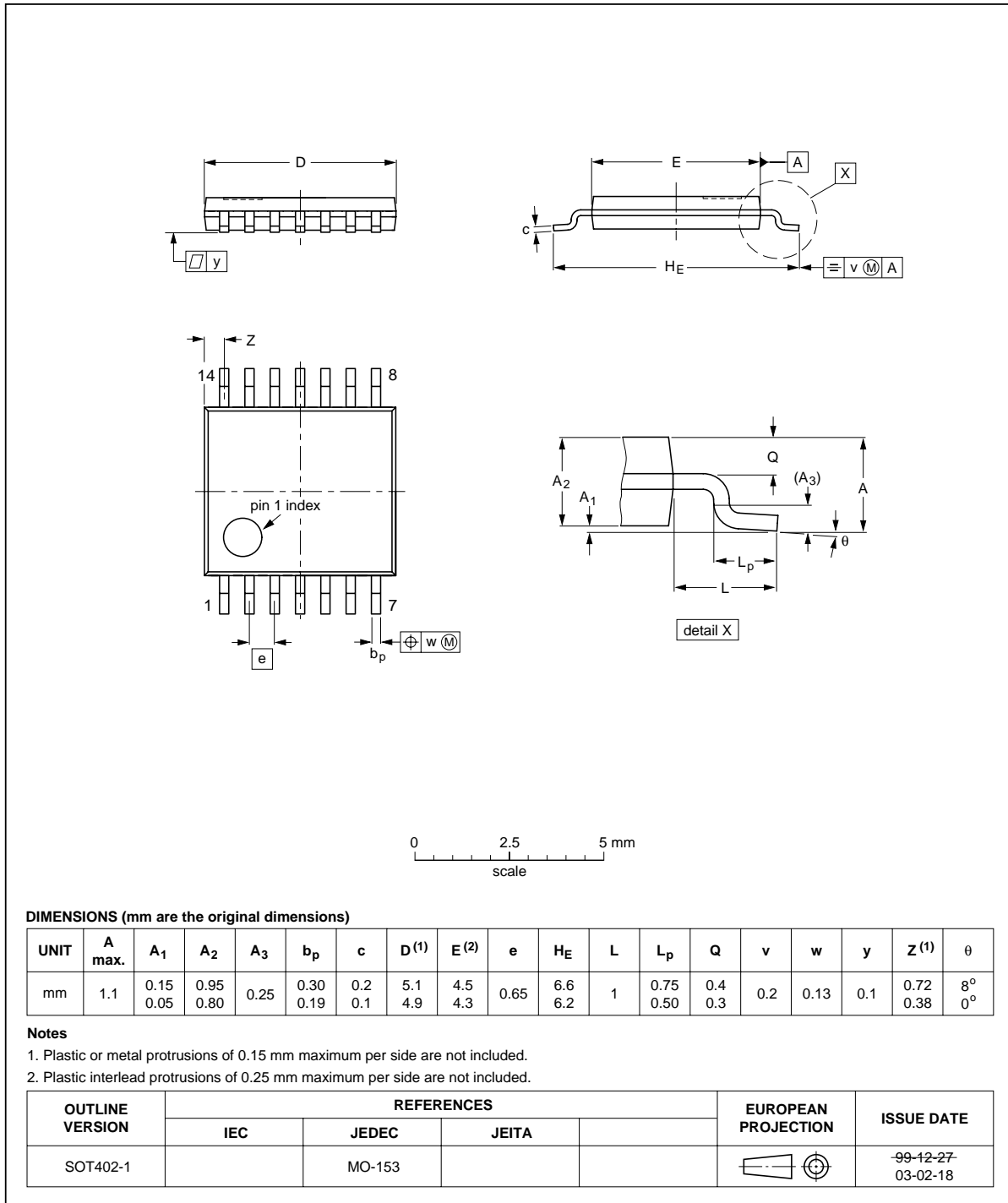


Fig 11. Package outline TSSOP14 (SOT402-1)

DHVQFN14: plastic dual in-line compatible thermal enhanced very thin quad flat package; no leads; 14 terminals; body 2.5 x 3 x 0.85 mm SOT762-1

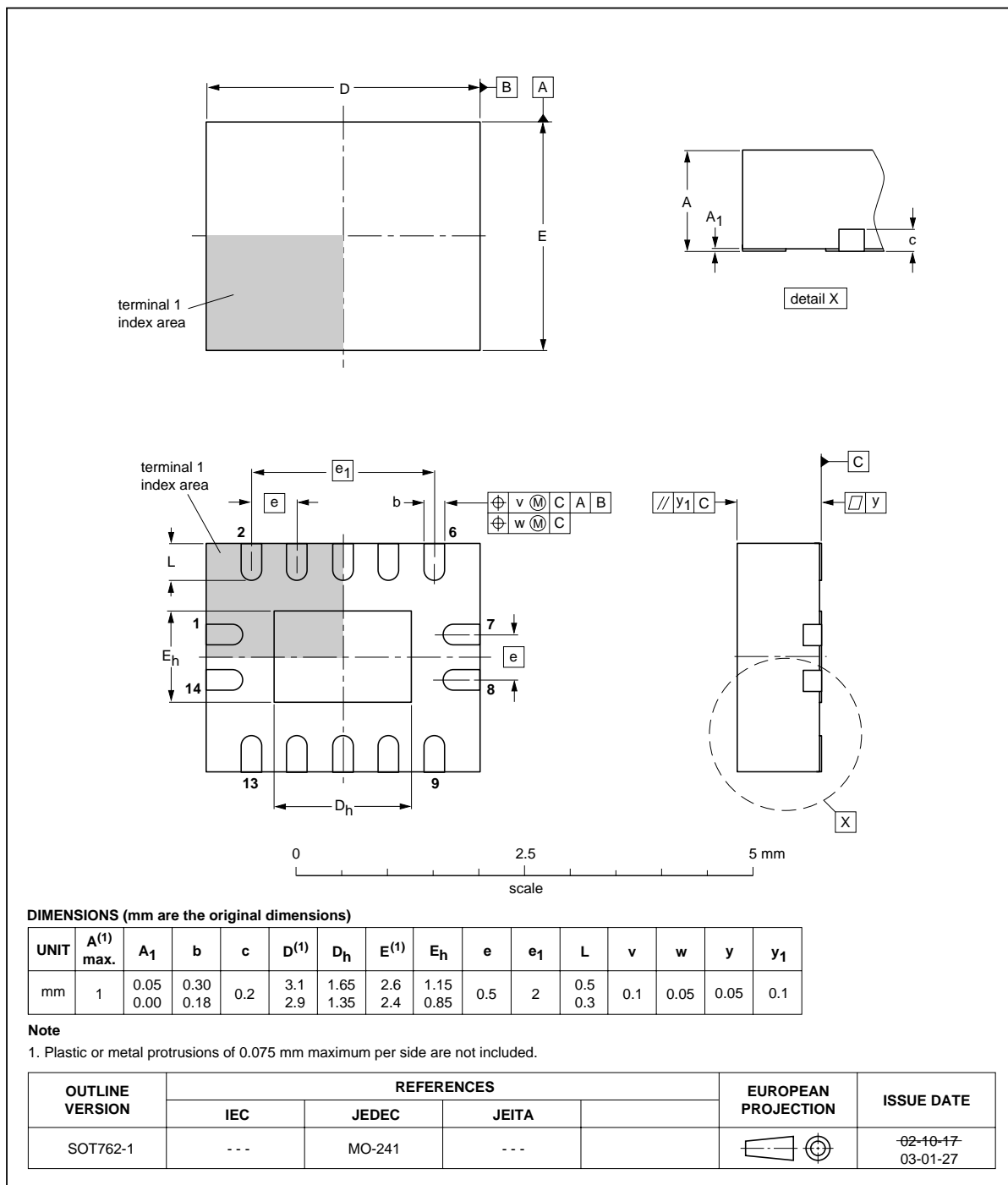


Fig 12. Package outline DHVQFN14 (SOT762-1)



14. Revision history

Table 10: Revision history

Document ID	Release date	Data sheet status	Change notice	Doc. number	Supersedes
74LVT125_5	20050210	Product data sheet	-	9397 750 14703	74LVT125_4
Modifications:					
• Table 2 : Corrected type number					
74LVT125_4	20050207	Product data sheet	-	9397 750 14552	74LVT125_3
74LVT125_3	20040624	Product data sheet	-	9397 750 13535	74LVT125_2
74LVT125_2	19980219	Product specification	-	9397 750 03514	74LVT125_1
74LVT125_1	-	-	-	-	-

15. Data sheet status

Level	Data sheet status [1]	Product status [2] [3]	Definition
I	Objective data	Development	This data sheet contains data from the objective specification for product development. Philips Semiconductors reserves the right to change the specification in any manner without notice.
II	Preliminary data	Qualification	This data sheet contains data from the preliminary specification. Supplementary data will be published at a later date. Philips Semiconductors reserves the right to change the specification without notice, in order to improve the design and supply the best possible product.
III	Product data	Production	This data sheet contains data from the product specification. Philips Semiconductors reserves the right to make changes at any time in order to improve the design, manufacturing and supply. Relevant changes will be communicated via a Customer Product/Process Change Notification (CPCN).

[1] Please consult the most recently issued data sheet before initiating or completing a design.

[2] The product status of the device(s) described in this data sheet may have changed since this data sheet was published. The latest information is available on the Internet at URL <http://www.semiconductors.philips.com>.

[3] For data sheets describing multiple type numbers, the highest-level product status determines the data sheet status.

16. Definitions

Short-form specification — The data in a short-form specification is extracted from a full data sheet with the same type number and title. For detailed information see the relevant data sheet or data handbook.

Limiting values definition — Limiting values given are in accordance with the Absolute Maximum Rating System (IEC 60134). Stress above one or more of the limiting values may cause permanent damage to the device. These are stress ratings only and operation of the device at these or at any other conditions above those given in the Characteristics sections of the specification is not implied. Exposure to limiting values for extended periods may affect device reliability.

Application information — Applications that are described herein for any of these products are for illustrative purposes only. Philips Semiconductors make no representation or warranty that such applications will be suitable for the specified use without further testing or modification.

17. Disclaimers

Life support — These products are not designed for use in life support appliances, devices, or systems where malfunction of these products can reasonably be expected to result in personal injury. Philips Semiconductors customers using or selling these products for use in such applications do so at their own risk and agree to fully indemnify Philips Semiconductors for any damages resulting from such application.

Right to make changes — Philips Semiconductors reserves the right to make changes in the products - including circuits, standard cells, and/or software - described or contained herein in order to improve design and/or performance. When the product is in full production (status 'Production'), relevant changes will be communicated via a Customer Product/Process Change Notification (CPCN). Philips Semiconductors assumes no responsibility or liability for the use of any of these products, conveys no license or title under any patent, copyright, or mask work right to these products, and makes no representations or warranties that these products are free from patent, copyright, or mask work right infringement, unless otherwise specified.

18. Contact information

For additional information, please visit: <http://www.semiconductors.philips.com>

For sales office addresses, send an email to: sales.addresses@www.semiconductors.philips.com

19. Contents

1	General description	1
2	Features	1
3	Quick reference data	1
4	Ordering information	2
5	Functional diagram	2
6	Pinning information	3
6.1	Pinning	3
6.2	Pin description	3
7	Functional description	4
7.1	Function table	4
8	Limiting values	4
9	Recommended operating conditions	5
10	Static characteristics	5
11	Dynamic characteristics	6
12	Waveforms	7
13	Package outline	9
14	Revision history	13
15	Data sheet status	14
16	Definitions	14
17	Disclaimers	14
18	Contact information	14



© Koninklijke Philips Electronics N.V. 2005

All rights are reserved. Reproduction in whole or in part is prohibited without the prior written consent of the copyright owner. The information presented in this document does not form part of any quotation or contract, is believed to be accurate and reliable and may be changed without notice. No liability will be accepted by the publisher for any consequence of its use. Publication thereof does not convey nor imply any license under patent- or other industrial or intellectual property rights.

Date of release: 10 February 2005
Document number: 9397 750 14703

Published in The Netherlands