

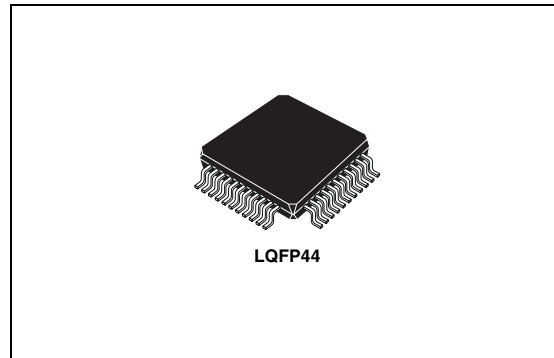
## Car radio signal processor

### Features

- 3 Stereo inputs
- 3 Mono inputs
- Dynamic-compression-stage for cd
- Softstep-volume
- Bass, treble and loudness control
- Voice-band-filter
- Direct mute and softmute
- Internal beep
- Four independent speaker-outputs
- Stereo subwoofer output
- Independent second source-selector
- Full mixing capability
- Pause detector

### Stereo decoder:

- RDS mute
- No external adjustments
- AM/FM noiseblanker with several trigger controls
- Programmable multipath detector
- Quality detector output



### Digital control:

I<sup>2</sup>C bus interface

### Description

The device includes a high performance audioprocessor and a stereo decoder-noise blanker combination, with the whole low frequency signal processing necessary for state of the art, as well as future car radios. The digital control allows a programming in a wide range of all the filter characteristics. The stereo decoder part also offers several possibilities of programming, especially for the adaptation to different IF devices.

**Table 1. Device summary**

Part numbers	Package	Packing
TDA7402	LQFP44 (10x 10x 1.4mm)	Tube

# Contents

<b>1</b>	<b>Pin connections and block diagram</b>	<b>7</b>
<b>2</b>	<b>Electrical specifications</b>	<b>9</b>
<b>3</b>	<b>Audioprocessor part features:</b>	<b>15</b>
<b>4</b>	<b>Audioprocessor part</b>	<b>17</b>
4.1	Input stages	17
4.1.1	Full-differential stereo Input 1 (FD1)	17
4.1.2	Full-differential stereo Input 2 (FD2)	17
4.1.3	Mono differential Input 1 (MD1)	18
4.1.4	Mono differential Input 2 (MD2)	18
4.1.5	Single ended stereo Input (SE1), single ended mono input (AM) and FM-MPX input 18	
4.2	AutoZero	18
4.2.1	AutoZero for stereo decoder selection	18
4.2.2	AutoZero remain	18
4.3	Pause detector / MUX-output	19
4.3.1	Loudness	19
4.3.2	Attenuation	19
4.3.3	Peak frequency	20
4.3.4	Loudness order	20
4.3.5	Flat mode	20
4.4	SoftMute	21
4.5	SoftStep volume	21
4.6	Bass	22
4.6.1	Attenuation	22
4.6.2	Center frequency	22
4.6.3	Quality factors	23
4.6.4	DC mode	23
4.7	Treble	24
4.7.1	Attenuation	24
4.7.2	Center frequency	24
4.8	Subwoofer application	25

---

4.9	Voice band application	25
4.10	Compander	26
4.10.1	Anti-clipping	26
4.10.2	Characteristic	27
4.10.3	I <sup>2</sup> C bus timing	27
4.11	AC coupling	28
4.12	Output selector	28
4.13	Subwoofer	29
4.14	Speaker attenuator and mixing	30
4.15	Audioprocessor testing	31
<b>5</b>	<b>Stereo decoder part</b>	<b>32</b>
5.1	Features:	32
5.2	Electrical characteristics	32
5.3	Notes about the characteristics	35
5.3.1	Intermodulation suppression	35
5.3.2	Traffic radio (V.F.) suppression	35
5.3.3	SCA (subsidiary communications authorization)	35
5.3.4	ACI (adjacent channel interference)	36
5.4	Noise blanker part	36
5.4.1	Features:	36
5.5	Multipath detector	39
5.5.1	Features:	39
<b>6</b>	<b>Functional description of stereo decoder</b>	<b>40</b>
6.1	Stereo decoder mute	40
6.2	InGain + infilter	41
6.3	Demodulator	41
6.4	De-emphasis and highcut	42
6.5	PLL and pilot tone detector	42
6.6	Field strength control	42
6.7	EVEL input and gain	42
6.8	Stereo blend control	43
6.9	Highcut control	43

---

<b>7</b>	<b>Functional description of the noise blanker</b> .....	<b>45</b>
7.1	Trigger path FM .....	45
7.2	Noise controlled threshold adjustment (NCT) .....	45
7.3	Additional threshold control mechanism .....	46
7.3.1	Automatic threshold control by the stereo blend voltage .....	46
7.3.2	Over deviation detector .....	46
7.3.3	Multipath level .....	46
7.3.4	AM mode of the noiseblanker .....	46
<b>8</b>	<b>Functional description of the multipath detector</b> .....	<b>47</b>
8.1	Quality detector .....	47
8.2	Testmode .....	48
8.3	Dual MPX usage .....	48
8.3.1	Feature description .....	48
8.3.2	Configuration .....	48
<b>9</b>	<b>I<sup>2</sup>C bus interface</b> .....	<b>49</b>
9.1	Interface protocol .....	49
9.2	Auto increment .....	49
9.3	Transmitted data (send mode) .....	49
9.4	Subaddress (receive mode) .....	50
9.5	Data byte specification .....	51
<b>10</b>	<b>Application information</b> .....	<b>68</b>
<b>11</b>	<b>Package information</b> .....	<b>69</b>
<b>12</b>	<b>Revision history</b> .....	<b>70</b>

## List of tables

Table 1.	Device summary . . . . .	1
Table 2.	Electrical characteristics . . . . .	9
Table 3.	Absolute maximum ratings . . . . .	14
Table 4.	Thermal data. . . . .	14
Table 5.	Supply. . . . .	14
Table 6.	Attack times vs soft-step times . . . . .	27
Table 7.	Electrical characteristics . . . . .	32
Table 8.	Electrical characteristics . . . . .	36
Table 9.	Electrical characteristics of multipath detector . . . . .	39
Table 10.	Transmitted data (send mode) . . . . .	49
Table 11.	Reset condition . . . . .	49
Table 12.	Subaddress (receive mode) . . . . .	50
Table 13.	Main selector (0) . . . . .	51
Table 14.	Main loudness (1) . . . . .	51
Table 15.	Volume (2) . . . . .	52
Table 16.	Treble filter (3) . . . . .	52
Table 17.	Bass filter (4). . . . .	53
Table 18.	Mixing programming (5) . . . . .	53
Table 19.	Soft mute (6) . . . . .	54
Table 20.	Voiceband (7) . . . . .	54
Table 21.	Second source selector (8) . . . . .	55
Table 22.	Second loudness (9) . . . . .	56
Table 23.	Subwoofer Configuration / Bass (10) . . . . .	56
Table 24.	Compander (11) . . . . .	57
Table 25.	Configuration audioprocessor I (12) . . . . .	57
Table 26.	Configuration audioprocessor II (13) . . . . .	58
Table 27.	Speaker, subwoofer and mixer level-control (14-20) . . . . .	59
Table 28.	Testing Audioprocessor (21) . . . . .	60
Table 29.	Stereo decoder (22) . . . . .	60
Table 30.	Noise blanker I (23) . . . . .	61
Table 31.	Noiseblanker II (24) . . . . .	62
Table 32.	AM / FM noiseblanker (25) . . . . .	62
Table 33.	High cut (26) . . . . .	63
Table 34.	Fieldstrength control (27) . . . . .	64
Table 35.	Multipath detector (28) . . . . .	64
Table 36.	Stereo decoder adjustment (29) . . . . .	65
Table 37.	Stereo decoder configuration (30) . . . . .	66
Table 38.	Testing stereo decoder (31) . . . . .	66
Table 39.	Document revision history . . . . .	70

## List of figures

Figure 1.	PIN connection (top view) . . . . .	7
Figure 2.	Block diagram . . . . .	8
Figure 3.	Input-stages . . . . .	17
Figure 4.	Loudness attenuation @ $f_P = 400\text{Hz}$ . . . . .	19
Figure 5.	Loudness center frequencies @ Attn. = 15dB. . . . .	20
Figure 6.	1st and 2nd order loudness @ Attn. = 15dB, $f_P=400\text{Hz}$ . . . . .	20
Figure 7.	Softmute timing . . . . .	21
Figure 8.	SoftStep timing . . . . .	21
Figure 9.	Bass control @ $f_C = 80\text{Hz}$ , $Q = 1$ . . . . .	22
Figure 10.	Bass center frequencies @ gain = 14dB, $Q = 1$ . . . . .	22
Figure 11.	Bass Quality factors @ Gain = 14dB, $f_C = 80\text{Hz}$ . . . . .	23
Figure 12.	Bass normal and DC Mode @ Gain = 14dB, $f_C = 80\text{Hz}$ . . . . .	23
Figure 13.	Treble Control @ $f_C = 17.5\text{kHz}$ . . . . .	24
Figure 14.	Treble center frequencies @ gain = 14dB . . . . .	24
Figure 15.	Subwoofer application with LPF 80/120/160Hz and HPF 90/135/180Hz . . . . .	25
Figure 16.	Voiceband application with HPF 300/450/600/750Hz and LPF 3k/6kHz . . . . .	25
Figure 17.	Compander block diagram . . . . .	26
Figure 18.	Compander characteristic . . . . .	27
Figure 19.	Output selector . . . . .	28
Figure 20.	Application 1 using internal highpass and mono low pass filter . . . . .	29
Figure 21.	Application 2 using internal highpass and external stereo low pass filter . . . . .	30
Figure 22.	Application 3 using pure external filtering (e.g. DSP) . . . . .	30
Figure 23.	Output selector . . . . .	31
Figure 24.	$V_n$ timing diagram . . . . .	38
Figure 25.	Trigger threshold vs. $V_{PEAK}$ . . . . .	38
Figure 26.	Deviation controlled trigger adjustment . . . . .	38
Figure 27.	Field strength controlled trigger adjustment . . . . .	38
Figure 28.	Block diagram of stereo decoder . . . . .	40
Figure 29.	Signals during stereo decoder's SoftMute . . . . .	41
Figure 30.	Signal control via SoftMute pin . . . . .	41
Figure 31.	Internal stereo blend characteristics . . . . .	43
Figure 32.	Relation between internal and external LEVEL voltages for setup of stereo blend . . . . .	43
Figure 33.	Highcut characteristics . . . . .	44
Figure 34.	Block diagram of the noise blanker . . . . .	45
Figure 35.	Block diagram of the multipath detector . . . . .	47
Figure 36.	Dual MPX input diagram . . . . .	48
Figure 37.	Application diagram (standard configuration) . . . . .	68
Figure 38.	Application diagram (Dual MPX mode) . . . . .	68
Figure 39.	LQFP44 (10x10) Mechanical data and package dimensions . . . . .	69

# 1 Pin connections and block diagram

Figure 1. PIN connection (top view)

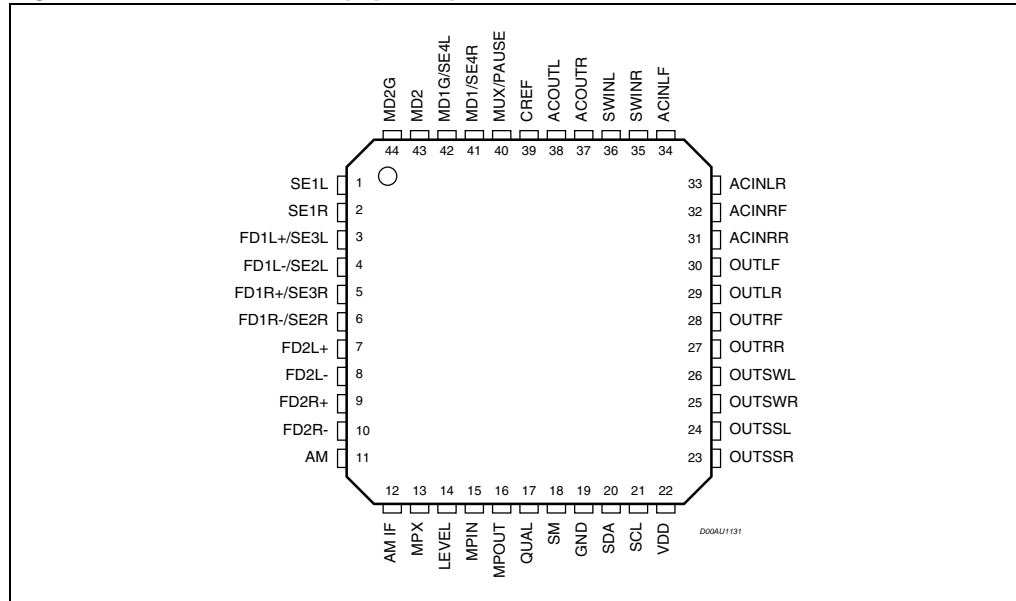
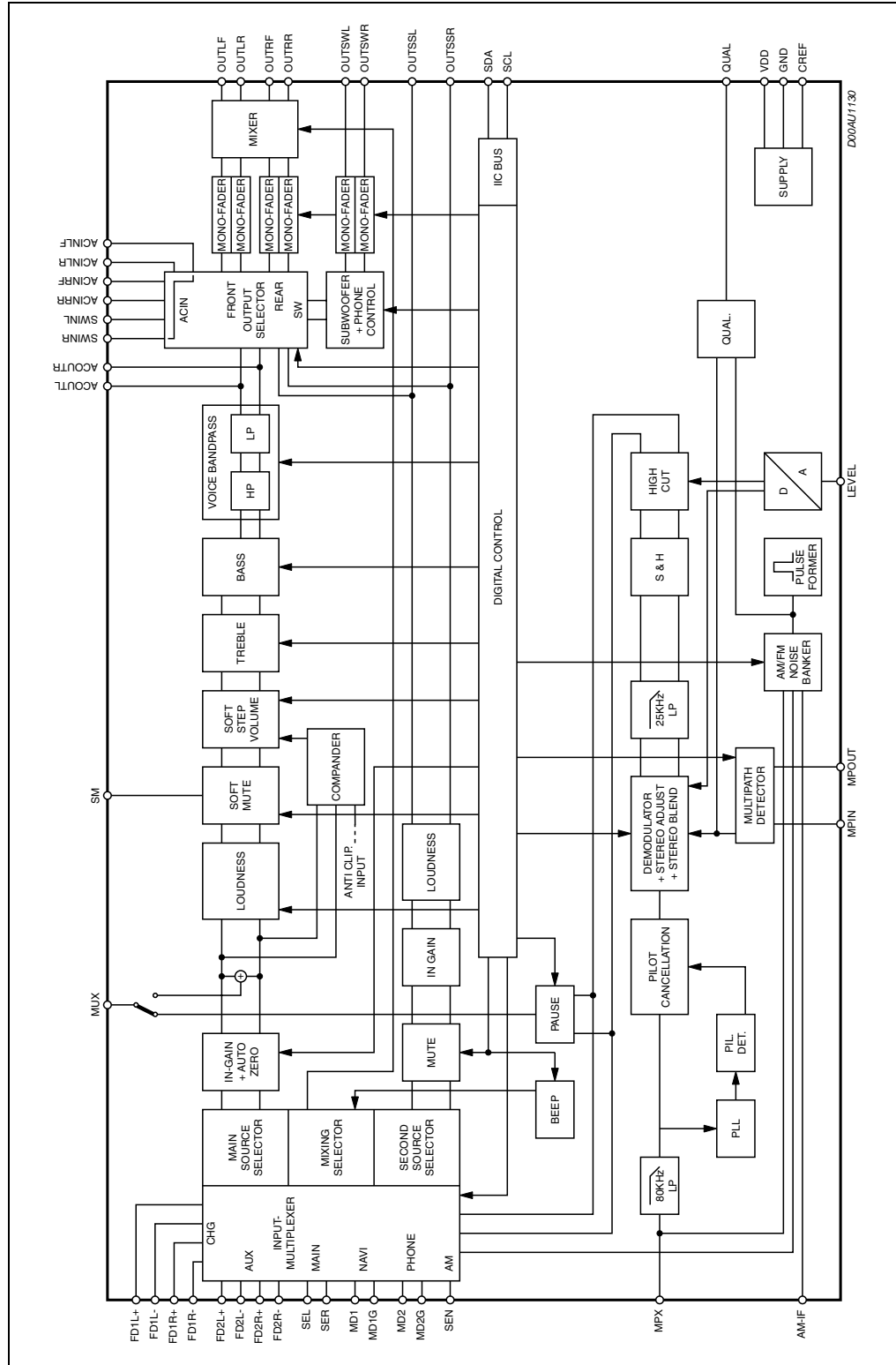


Figure 2. Block diagram





## 2 Electrical specifications

$V_S = 9V$ ;  $T_{amb} = 25^\circ C$ ;  $R_L = 10k\Omega$ ; all gains = 0dB;  $f = 1kHz$ ; unless otherwise specified

**Table 2. Electrical characteristics**

Symbol	Parameter	Test condition	Min.	Typ.	Max.	Unit
<b>Input selector</b>						
$R_{in}$	Input resistance	all single ended Inputs	70	100	130	$k\Omega$
$V_{CL}$	Clipping level		2.2	2.6		$V_{RMS}$
$S_{IN}$	Input separation		80	100		dB
$G_{IN\ MIN}$	Min. input gain		-1	0	+1	dB
$G_{IN\ MAX}$	Max. input gain		13	15	17	dB
$G_{STEP}$	Step resolution		0.5	1	1.5	dB
$V_{DC}$	DC steps	Adjacent gain steps	-5	1	5	mV
		$G_{MIN}$ to $G_{MAX}$	-10	6	10	mV
$V_{offset}$	Remaining offset with autozero			0.5		mV
<b>Differential stereo inputs</b>						
$R_{in}$	Input resistance (see <a href="#">Figure 3</a> )	Differential	70	100	130	$k\Omega$
$G_{CD}$	Gain	only at true differential input	-1	0	1	dB
			-5	-6	7	dB
			-11	-12	-13	dB
CMRR	Common mode rejection ratio	$V_{CM} = 1V_{RMS}$ @ 1kHz	46	70		dB
		$V_{CM} = 1V_{RMS}$ @ 10kHz	46	60		dB
$e_{NO}$	Output-noise @ speaker outputs	20Hz - 20kHz, flat; all stages 0dB		9	15	$\mu V$
<b>Differential mono inputs</b>						
$R_{in}$	Input impedance	Differential	40	56	72	$k\Omega$
CMRR	Common mode rejection ratio	$V_{CM} = 1V_{RMS}$ @ 1kHz	40	70		dB
		$V_{CM} = 1V_{RMS}$ @ 10kHz	40	60		dB
<b>Beep control</b>						
$V_{RMS}$	Beep level	Mix-gain = 6dB	250	350	500	mV
$f_{Beep}$	Beep frequency	$f_{Beep1}$	570	600	630	Hz
		$f_{Beep2}$	740	780	820	Hz
		$f_{Beep1}$	1.48	1.56	1.64	kHz
		$f_{Beep1}$	2.28	2.4	2.52	kHz

Table 2. Electrical characteristics (continued)

Symbol	Parameter	Test condition	Min.	Typ.	Max.	Unit
<b>Mixing control</b>						
M <sub>LEVEL</sub>	Mixing ratio	Main / mix source		-6/-6		dB
G <sub>MAX</sub>	Max. gain		13	15	17	dB
A <sub>MAX</sub>	Max. attenuation		-83	-79	-75	dB
A <sub>STEP</sub>	Attenuation step		0.5	1	1.5	dB
<b>Multiplexer output <sup>(1)</sup></b>						
R <sub>OUT</sub>	Output impedance			225	300	W
R <sub>L</sub>	Output load resistance		2			kΩ
C <sub>L</sub>	Output load capacitance				10	nF
V <sub>DC</sub>	DC voltage level		4.3	4.5	4.7	V
<b>Loudness control</b>						
A <sub>STEP</sub>	Step resolution		0.5	1	1.5	dB
A <sub>MAX</sub>	Max. attenuation		-21	-19	-17	dB
f <sub>Peak</sub>	Peak frequency	f <sub>P1</sub>	180	200	220	Hz
		f <sub>P2</sub>	360	400	440	Hz
		f <sub>P3</sub>	540	600	660	Hz
		f <sub>P4</sub>	720	800	880	Hz
<b>Volume control</b>						
G <sub>MAX</sub>	Max. gain		30	32	34	dB
A <sub>MAX</sub>	Max. attenuation		-83	-79.5	-75	dB
A <sub>STEP</sub>	Step resolution		0	0.5	1	dB
E <sub>A</sub>	Attenuation set error	G = -20 to +20dB	-0.75	0	+0.75	dB
		G = -80 to -20dB	-4	0	3	dB
E <sub>T</sub>	Tracking error				2	dB
V <sub>DC</sub>	DC steps	Adjacent attenuation steps		0.1	3	mV
		From 0dB to G <sub>MIN</sub>		0.5	5	mV
<b>Soft mute</b>						
A <sub>MUTE</sub>	Mute attenuation		80	100		dB
T <sub>D</sub>	Delay time	T1		0.48	1	ms
		T2		0.96	2	ms
		T3	70	123	170	ms
		T4	200	324	600	ms
V <sub>TH low</sub>	Low threshold for SM Pin <sup>(2)</sup>				1	V

Table 2. Electrical characteristics (continued)

Symbol	Parameter	Test condition	Min.	Typ.	Max.	Unit
$V_{TH\ high}$	High threshold for SM Pin		2.5			V
$R_{PU}$	Internal pull-up resistor		32	45	58	$k\Omega$
$V_{PU}$	Internal pull-up voltage			3.3		V
<b>Bass control</b>						
$C_{RANGE}$	Control range		$\pm 14$	$\pm 15$	$\pm 16$	dB
$A_{STEP}$	Step resolution		0.5	1	1.5	dB
$f_C$	Center frequency	$f_{C1}$	54	60	66	Hz
		$f_{C2}$	63	70	77	Hz
		$f_{C3}$	72	80	88	Hz
		$f_{C4}$	81	90	99	Hz
		$f_{C5}$	90	100	110	Hz
		$f_{C6}$	117	130	143	Hz
		$f_{C7}$	135	150	165	Hz
		$f_{C8}$	180	200	220	Hz
$Q_{BASS}$	Quality factor	$Q_1$	0.9	1	1.1	
		$Q_2$	1.1	1.25	1.4	
		$Q_3$	1.3	1.5	1.7	
		$Q_4$	1.8	2	2.2	
$DC_{GAIN}$	Bass-DC-gain	DC = off	-1	0	+1	dB
		DC = on	4	4.4	6	dB
<b>Treble control</b>						
$C_{RANGE}$	Control range		$\pm 14$	$\pm 15$	$\pm 16$	dB
$A_{STEP}$	Step resolution		0.5	1	1.5	dB
$f_C$	Center frequency	$f_{C1}$	8	10	12	kHz
		$f_{C2}$	10	12.5	15	kHz
		$f_{C3}$	12	15	18	kHz
		$f_{C4}$	14	17.5	21	kHz
<b>Pause detector<sup>(3)</sup></b>						
$V_{TH}$	Zero crossing threshold	Window 1		40		mV
		Window 2		80		mV
		Window 3		160		mV
$I_{DELAY}$	Pull-up current		15	25	35	$\mu A$
$V_{THP}$	Pause threshold			3.0		V

Table 2. Electrical characteristics (continued)

Symbol	Parameter	Test condition	Min.	Typ.	Max.	Unit
<b>Speaker attenuators</b>						
$R_{in}$	Input impedance		35	50	65	$k\Omega$
$G_{MAX}$	Max. gain		14	15	16	dB
$A_{MAX}$	Max. attenuation		-83	-79	-75	dB
$A_{STEP}$	Step resolution		0.5	1	1.5	dB
$A_{MUTE}$	Output mute attenuation		80	90		dB
$E_E$	Attenuation set error				2	dB
$V_{DC}$	DC steps	Adjacent attenuation steps		0.1	5	mV
<b>Audio outputs</b>						
$V_{CLIP}$	Clipping level	$d = 0.3\%$	2.2	2.6		$V_{RMS}$
$R_L$	Output load resistance		2			$k\Omega$
$C_L$	Output load capacitance				10	nF
$R_{OUT}$	Output impedance			30	100	W
$V_{DC}$	DC voltage level		4.3	4.5	4.7	V
<b>Voice bandpass</b>						
$f_{HP}$	Highpass corner frequency	$f_{HP1}$	81	90	99	Hz
		$f_{HP2}$	122	135	148	Hz
		$f_{HP3}$	162	180	198	Hz
		$f_{HP4}$	194	215	236	Hz
		$f_{HP5}$	270	300	330	Hz
		$f_{HP6}$	405	450	495	Hz
		$f_{HP7}$	540	600	660	Hz
		$f_{HP8}$	675	750	825	Hz
$f_{LP}$	Lowpass corner frequency	$f_{LP1}$	2.7	3	3.3	kHz
		$f_{LP2}$	5.4	6	6.6	kHz
<b>Subwoofer attenuators</b>						
$R_{in}$	Input impedance		35	50	65	$k\Omega$
$G_{MAX}$	Max. gain		14	15	16	dB
$A_{ATTN}$	Max. attenuation		-83	-79	-75	dB
$A_{STEP}$	Step resolution		0.5	1	1.5	dB
$A_{MUTE}$	Output mute attenuation		80	90		dB
$E_E$	Attenuation set error				2	dB
$V_{DC}$	DC steps	Adjacent attenuation steps		1	5	mV

Table 2. Electrical characteristics (continued)

Symbol	Parameter	Test condition	Min.	Typ.	Max.	Unit
<b>Subwoofer lowpass</b>						
$f_{LP}$	Lowpass corner frequency	$f_{LP1}$	72	80	88	Hz
		$f_{LP2}$	108	120	132	Hz
		$f_{LP3}$	144	160	176	Hz
<b>Differential outputs<sup>(4)</sup></b>						
$R_L$	load resistance at each output	1V <sub>RMS</sub> ; AC coupled; THD=1%	1			k $\Omega$
		2V <sub>RMS</sub> ; AC coupled; THD=1%	2			k $\Omega$
$R_{DL}$	load resistance differential	1V <sub>RMS</sub> ; AC coupled; THD=1%	2			k $\Omega$
		2V <sub>RMS</sub> ; AC coupled; THD=1%	4			k $\Omega$
$C_{LMAX}$	Capacitive load at each output	$C_{Lmax}$ at each output to ground			10	nF
$C_{DLMAX}$	Capacitive load differential	$C_{Lmax}$ between output terminals			5	nF
$V_{Offset}$	DC offset at pins	Output muted	-10		10	mV
$R_{OUT}$	Output impedance			30	100	W
$V_{DC}$	DC voltage level		4.3	4.5	4.7	V
$e_{NO}$	Output noise	Output muted		6	15	$\mu$ V
<b>Compander</b>						
$G_{MAX}$	max. compander gain	$V_i < -46$ dB		19		dB
		$V_i < -46$ dB, Anti-clip = on		29		dB
$t_{Att}$	Attack time	$t_{Att1}$		6		ms
		$t_{Att2}$		12		ms
		$t_{Att3}$		24		ms
		$t_{Att4}$		49		ms
$t_{Rel}$	Release time	$t_{Rel1}$		390		ms
		$t_{Rel2}$		780		ms
		$t_{Rel3}$		1.17		s
		$t_{Rel4}$		1.56		s
$V_{REF}$	Compander reference input-level (equals 0dB)	$V_{REF1}$		0.5		V <sub>RMS</sub>
		$V_{REF2}$		1.0		V <sub>RMS</sub>
		$V_{REF3}$		2.0		V <sub>RMS</sub>
$C_F$	Compression factor	Output signal / input signal		0.5		
<b>General</b>						

**Table 2. Electrical characteristics (continued)**

Symbol	Parameter	Test condition	Min.	Typ.	Max.	Unit
$e_{NO}$	Output noise	BW = 20Hz - 20kHz output muted all gains = 0dB single ended inputs		3 10	15 20	$\mu V$ $\mu V$
S/N	Signal to noise ratio	all gains = 0dB flat; $V_O = 2V_{RMS}$		106		dB
		bass, treble at +12dB; a-weighted; $V_O = 2.6V_{RMS}$		100		dB
d	distortion	$V_{IN} = 1V_{RMS}$ ; all stages 0dB		0.005	0.1	%
		$V_{OUT} = 1V_{RMS}$ ; bass & treble = 12dB		0.05	0.1	%
$S_C$	Channel separation left/right		80	100		dB
$E_T$	Total tracking error	$A_V = 0$ to -20dB	-1	0	1	dB
		$A_V = -20$ to -60dB	-2	0	2	dB

1. If configured as multiplexer-output
2. The SM Pin is active low (mute = 0)
3. If configured as pause-output
4. If programmed as subwoofer diff. output

**Table 3. Absolute maximum ratings**

Symbol	Parameter	Value	Unit
$V_S$	Operating supply voltage	10.5	V
$T_{amb}$	Operating temperature range	-40 to 85	$^{\circ}C$
$T_{stg}$	Storage temperature range	-55 to +150	$^{\circ}C$
$V_{ESD}$	ESD protection (human body mode)	$\pm 2000$	V
$V_{ESD}$	ESD protection (machine mode)	$\pm 200$	V

**Table 4. Thermal data**

Symbol	Parameter	Value	Unit
$R_{th\ j-pins}$	Thermal resistance junction-pins max	65	$^{\circ}C/W$

**Table 5. Supply**

Symbol	Parameter	Test condition	Min.	Typ.	Max.	Unit
$V_S$	Supply voltage		7.5	9	10	V
$I_S$	Supply current	$V_S = 9V$	35	50	65	mA
SVRR	Ripple rejection @ 1kHz	Audioprocessor (all Filters flat)		60		dB

### 3 Audioprocessor part features:

- Input multiplexer
  - 2 fully differential CD stereo inputs with programmable attenuation
  - 1 single ended stereo input
  - 2 differential mono input
  - 1 single ended mono input
  - In-gain 0..15dB, 1dB steps
  - internal offset cancellation (AutoZero)
  - separate second source selector
- Beep
  - internal beep with 4 frequencies
- Mixing stage
  - Beep, phone and navigation mixable to all speaker outputs
- Loudness
  - programmable center frequency and frequency response
  - 15 x 1dB steps
  - selectable flat-mode (constant attenuation)
- Volume
  - 0.5dB attenuator
  - 100dB range
  - soft-step control with programmable times
- Compander
  - dynamic range compression for use with CD
  - 2:1 compression rate
  - programmable max. gain
- Bass
  - 2nd order frequency response
  - center frequency programmable in 8 steps
  - DC gain programmable
  - $\pm 15 \times 1$ dB steps
- Treble
  - 2nd order frequency response
  - center frequency programmable in 4 steps
  - $\pm 15 \times 1$ dB steps
- Voice Bandpass
  - 2nd order butterworth highpass filter with programmable cut off frequency
  - 2nd order butterworth lowpass filter with programmable cut off frequency
  - selectable flat mode
-

- Speaker
  - 4 independent speaker controls in 1dB steps
  - control range 95dB
  - separate Mute
- Subwoofer
  - single ended stereo output
  - independent stereo level controls in 1dB steps
  - control range 95dB
  - separate Mute
- Mute Functions
  - direct mute
  - digitally controlled SoftMute with 4 programmable mute-times
- Pause Detector
  - programmable threshold

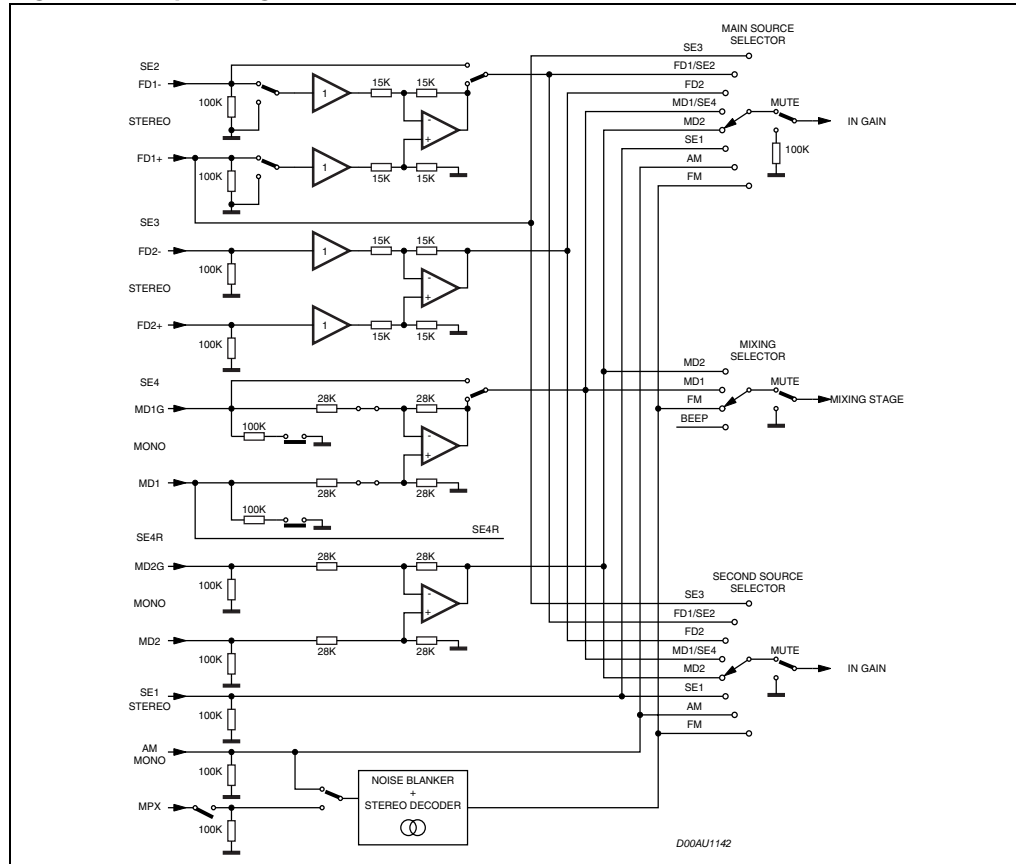


## 4 Audioprocessor part

### 4.1 Input stages

In the basic configuration two full differential, two mono differential, one single ended stereo and one single ended mono input are available. In addition a dedicated input for the stereo decoder MPX signal is present.

Figure 3. Input-stages



#### 4.1.1 Full-differential stereo Input 1 (FD1)

The FD1 input is implemented as a buffered full-differential stereo stage with 100kΩ input impedance at each input. The attenuation is programmable in 3 steps from 0 to -12dB in order to adapt the incoming signal level. A 6dB attenuation is included in the differential stage, the additional 6dB are done by a following resistive divider. This input is also configurable as two single ended stereo inputs (see pin-out).

#### 4.1.2 Full-differential stereo Input 2 (FD2)

The FD2 input has the same general structure as FD1, but with a programmable attenuation of 0 or 6dB embedded in the differential stage.

### 4.1.3 Mono differential Input 1 (MD1)

The MD1 input is designed as a basic differential stage with 56k $\Omega$  input impedance. This input is configurable as a single ended stereo input (see pin-out).

### 4.1.4 Mono differential Input 2 (MD2)

The MD2 input has the same topology as MD1, but without the possibility to configure it to single ended.

### 4.1.5 Single ended stereo Input (SE1), single ended mono input (AM) and FM-MPX input

All single ended inputs offer an input impedance of 100k $\Omega$ . The AM pin can be connected by software to the input of the stereo-decoder in order to use the AM noiseblanker and AM High Cut feature.

## 4.2 AutoZero

The AutoZero allows a reduction of the number of pins as well as external components by canceling any offset generated by or before the In-Gain-stage (Please notice that externally generated offsets, e.g. generated through the leakage current of the coupling capacitors, are not canceled).

The auto zeroing is started every time the DATA-BYTE 0 is selected and needs max. **0.3ms** for the alignment. To avoid audible clicks the Audioprocessor is muted before the loudness stage during this time. The AutoZero feature is only present in the main signal path.

### 4.2.1 AutoZero for stereo decoder selection

A special procedure is recommended for selecting the stereo decoder at the **main** input-selector to guarantee an optimum offset cancellation:

1. SoftMute or Mute the signal-path
2. Temporary deselect the stereo decoder at all input selectors
3. Configure the stereo decoder via IIC-Bus
4. Wait 1ms
5. Select the stereo decoder at the main input selector first

The root cause of this procedure is, that after muting the stereo decoder (Step 1), the internal stereo decoder filters have to settle in order to perform a proper offset cancellation.

### 4.2.2 AutoZero remain

In some cases, for example if the  $\mu$ P is executing a refresh cycle of the I<sup>2</sup>C Bus programming, it is not useful to start a new AutoZero action because no new source is selected and an undesired mute would appear at the outputs. For such applications the A619 could be switched in the **AutoZero Remain Mode** (Bit 6 of the subaddress byte). If this bit is set to high, the DATABYTE 0 could be loaded without invoking the AutoZero and the old adjustment value remains.

### 4.3 Pause detector / MUX-output

The pin number 40 (Pause/MUX) is configurable for two different functions:

1. During pause detector OFF this pin is used as a mono output of the main input selector. This signal is often used to drive a level/equalizer display on the car radio front panel.
2. During pause detector ON the pin is used to define the time constant of the detector by an external capacitor. The pause detector is driven by the internal stereo decoder outputs in order to use pauses in the FM signal for alternate frequency jumps. If the signal level of both stereo decoder channels is outside the programmed voltage window, the external capacitor is abruptly discharged. Inside the pause condition the capacitor is slowly recharged by a constant current of  $25\mu\text{A}$ . The pause information is also available via I<sup>2</sup>C Bus (see I<sup>2</sup>C Bus programming).

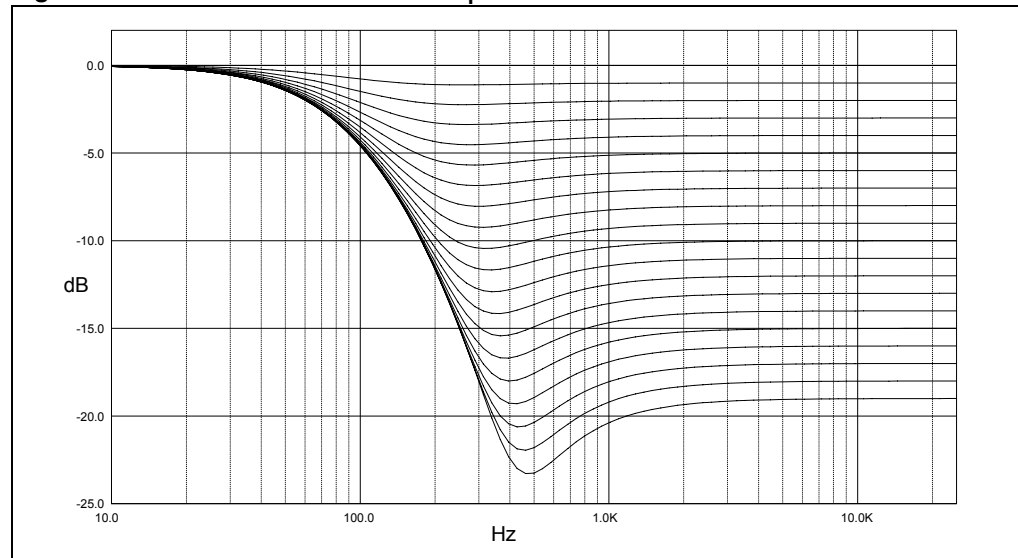
#### 4.3.1 Loudness

There are four parameters programmable in the loudness stage:

#### 4.3.2 Attenuation

*Figure 4* shows the attenuation as a function of frequency at  $f_p = 400\text{Hz}$

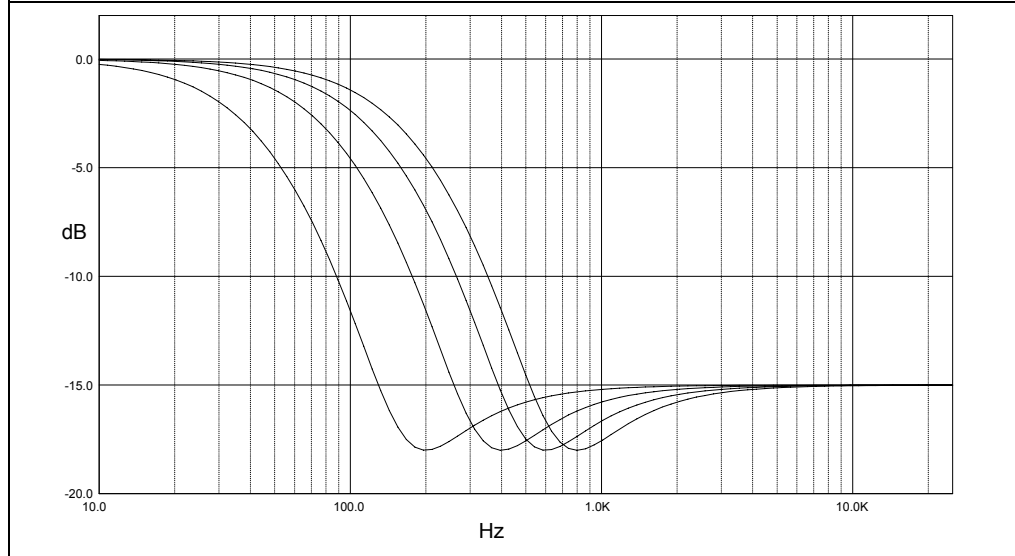
**Figure 4. Loudness attenuation @  $f_p = 400\text{Hz}$ .**



### 4.3.3 Peak frequency

Figure 5 shows the four possible peak-frequencies at 200, 400, 600 and 800Hz

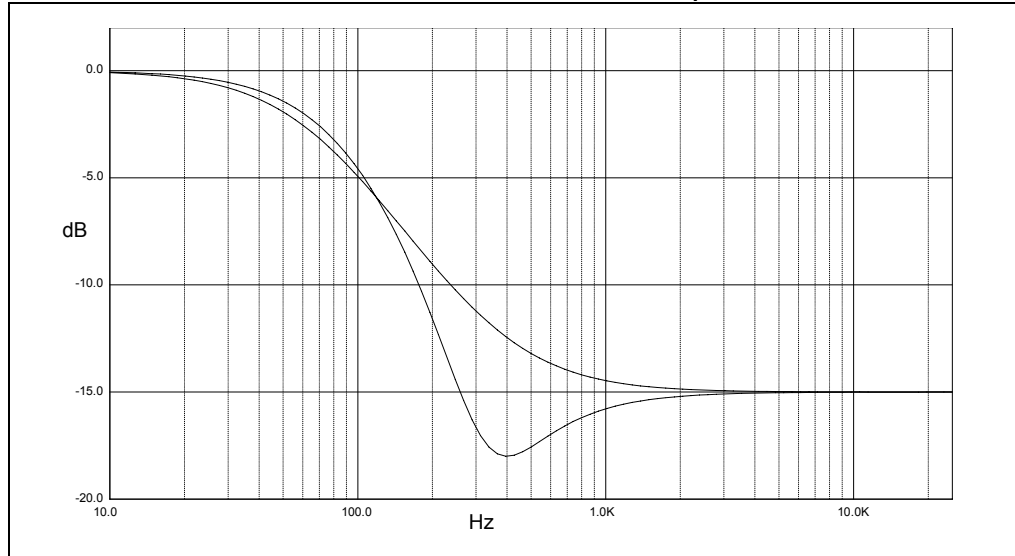
Figure 5. Loudness center frequencies @ Attn. = 15dB.



### 4.3.4 Loudness order

Different shapes of 1st and 2nd-order loudness

Figure 6. 1st and 2nd order loudness @ Attn. = 15dB,  $f_p=400\text{Hz}$



### 4.3.5 Flat mode

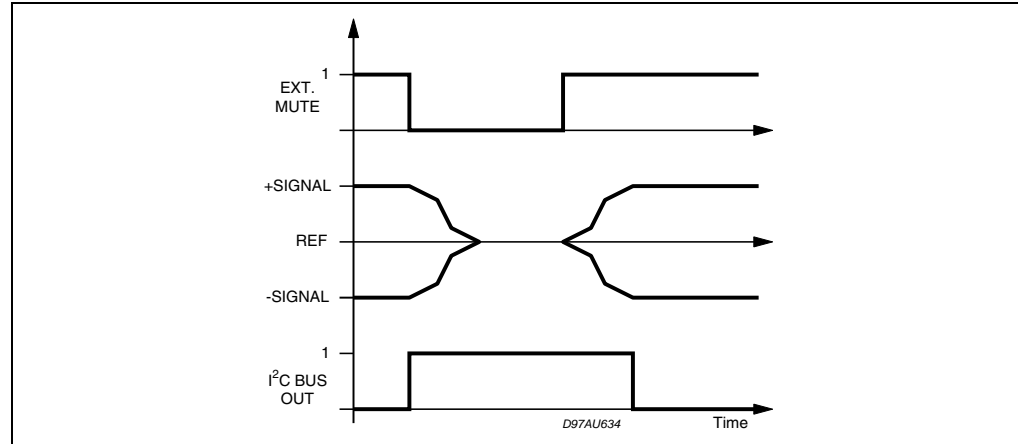
In flat mode the loudness stage works as a 0dB to -19dB attenuator.

## 4.4 SoftMute

The digitally controlled SoftMute stage allows muting/demuting the signal with a I<sup>2</sup>C bus programmable slope. The mute process can either be activated by the SoftMute pin or by the I<sup>2</sup>C-bus. This slope is realized in a special S-shaped curve to mute slow in the critical regions (see [Figure 7](#)).

For timing purposes the Bit0 of the I<sup>2</sup>C bus output register is set to 1 from the start of muting until the end of de-muting.

**Figure 7. Softmute timing**

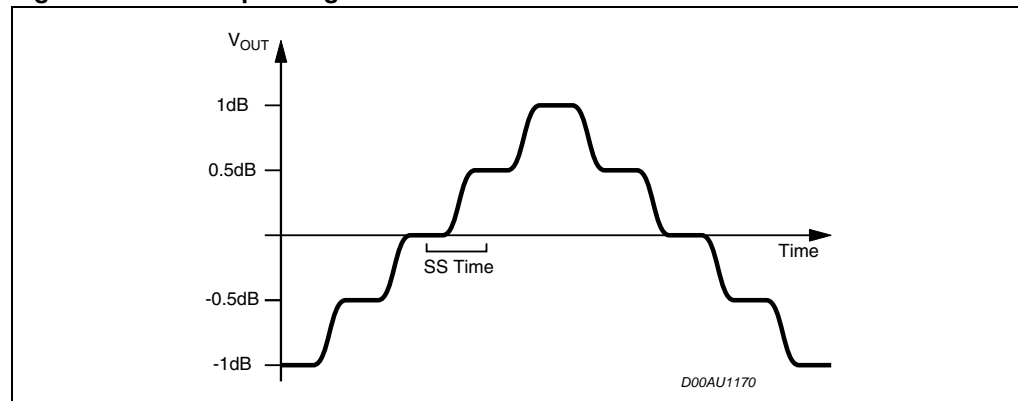


*Note:* Please notice that a started mute action is always terminated and could not be interrupted by a change of the mute -signal.

## 4.5 SoftStep volume

When the volume level is changed audible clicks could appear at the output. The root cause of those clicks could either be a DC offset before the volume stage or the sudden change of the envelope of the audiosignal. With the SoftStep feature both kinds of clicks could be reduced to a minimum and are no more audible. The blend time from one step to the next is programmable in four steps.

**Figure 8. SoftStep timing**



*Note: For steps more than 0.5dB the SoftStep mode should be deactivated because it could generate a hard 1dB step during the blend time.*

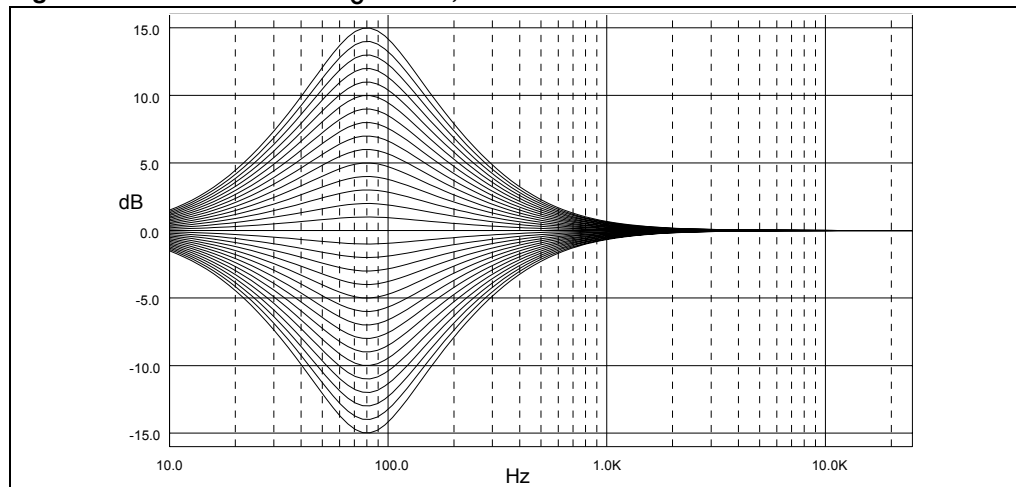
## 4.6 Bass

There are four parameters programmable in the bass stage:

### 4.6.1 Attenuation

Figure 9 shows the attenuation as a function of frequency at a center frequency of 80Hz.

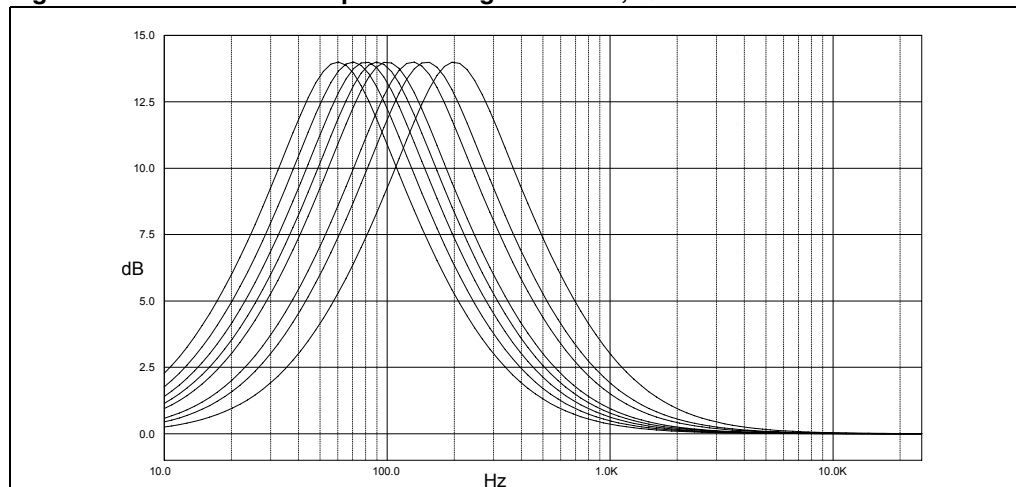
**Figure 9. Bass control @  $f_C = 80\text{Hz}$ ,  $Q = 1$**



### 4.6.2 Center frequency

Figure 10 shows the eight possible center frequencies 60, 70, 80, 90, 100, 130, 150 and 200Hz.

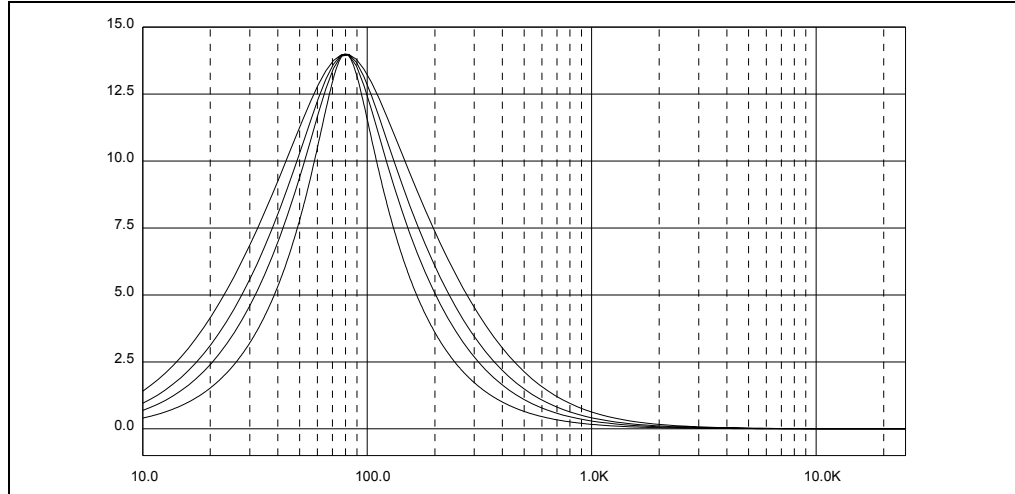
**Figure 10. Bass center frequencies @ gain = 14dB,  $Q = 1$**



### 4.6.3 Quality factors

Figure 11 shows the four possible quality factors 1, 1.25, 1.5 and 2.

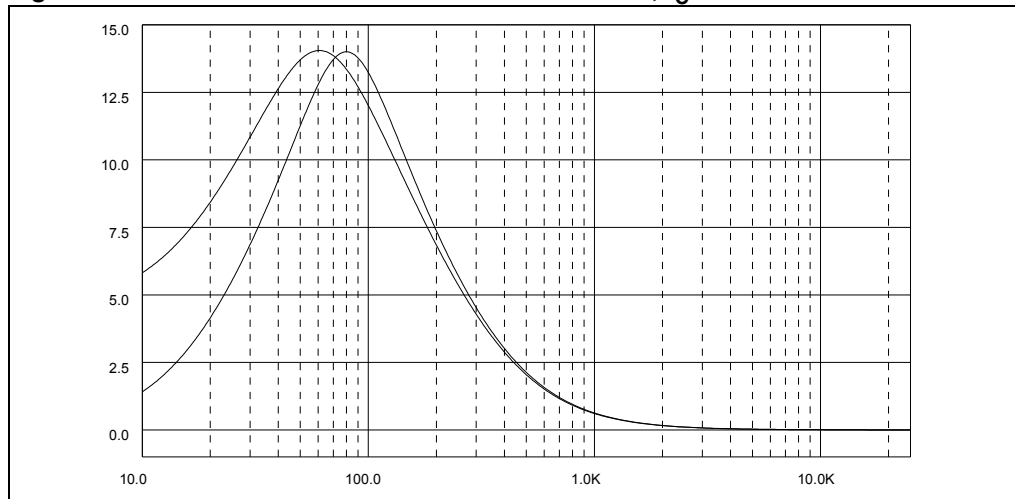
Figure 11. Bass Quality factors @ Gain = 14dB,  $f_C = 80\text{Hz}$



### 4.6.4 DC mode

In this mode the DC-gain is increased by 4.4dB. In addition the programmed center frequency and quality factor is decreased by 25% which can be used to reach alternative center frequencies or quality factors.

Figure 12. Bass normal and DC Mode @ Gain = 14dB,  $f_C = 80\text{Hz}$



Note: The center frequency, Q and DC-mode can be set fully independently.

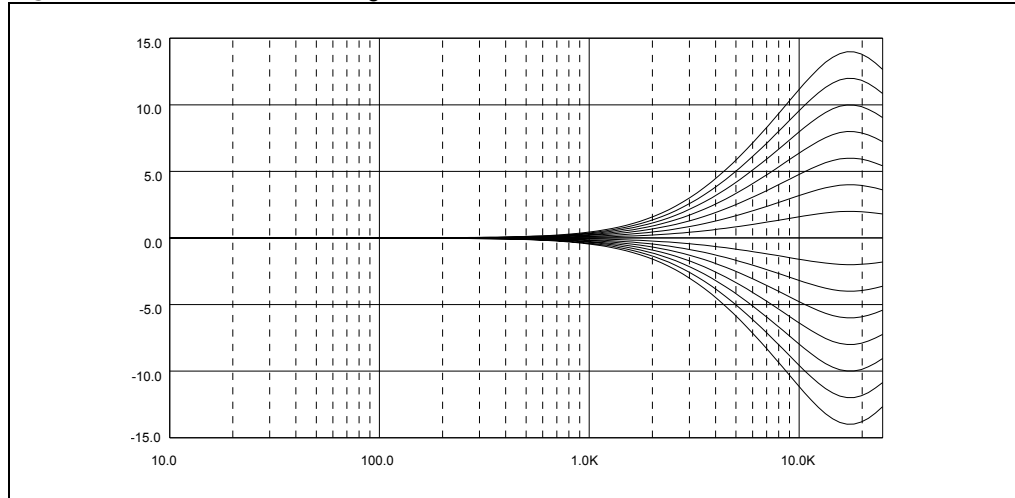
## 4.7 Treble

There are two parameters programmable in the treble stage:

### 4.7.1 Attenuation

*Figure 13.* shows the attenuation as a function of frequency at a center frequency of 17.5kHz.

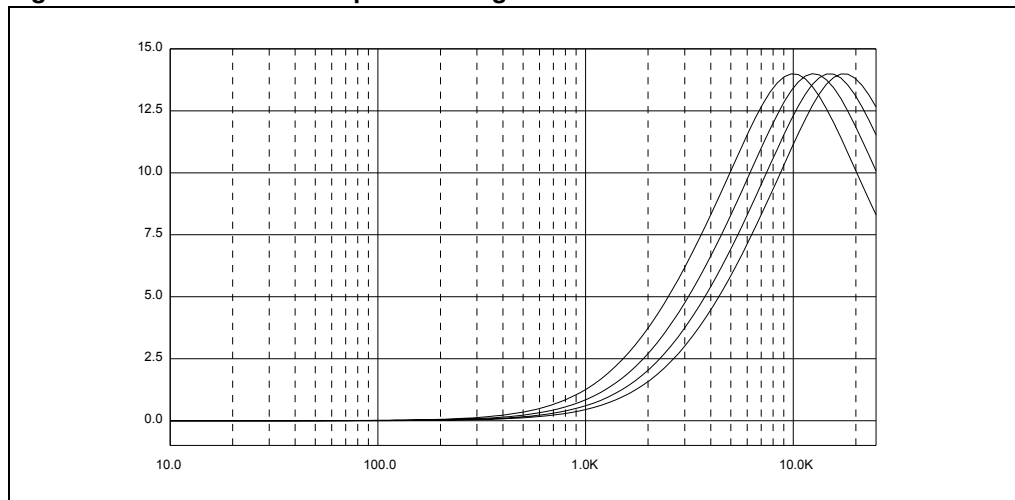
**Figure 13. Treble Control @  $f_c = 17.5\text{kHz}$**



### 4.7.2 Center frequency

*Figure 14.* shows the four possible center frequencies 10k, 12.5k, 15k and 17.5kHz.

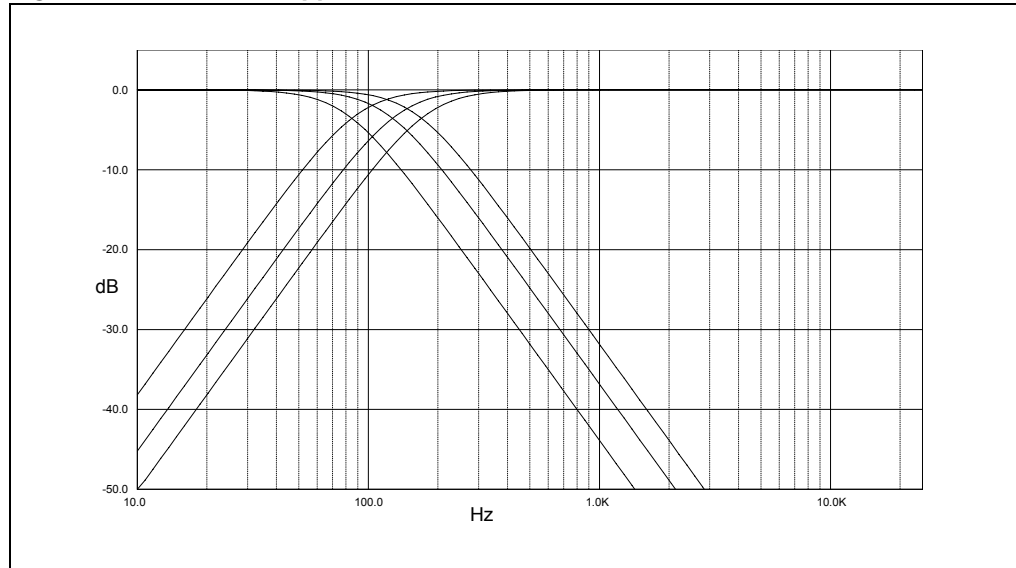
**Figure 14. Treble center frequencies @ gain = 14dB**





## 4.8 Subwoofer application

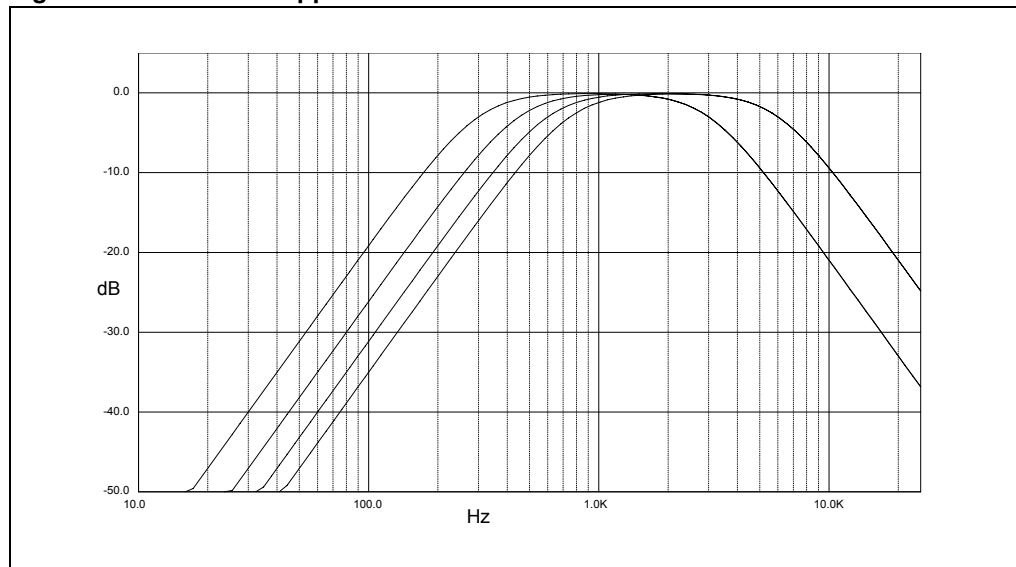
Figure 15. Subwoofer application with LPF 80/120/160Hz and HPF 90/135/180Hz



Both filters, the lowpass and the highpass-filter, have butterworth characteristics so that their cut off frequencies are not equal, but shifted by the factor 1.125 to get a flat frequency response.

## 4.9 Voice band application

Figure 16. Voiceband application with HPF 300/450/600/750Hz and LPF 3k/6kHz



## 4.10 Compressor

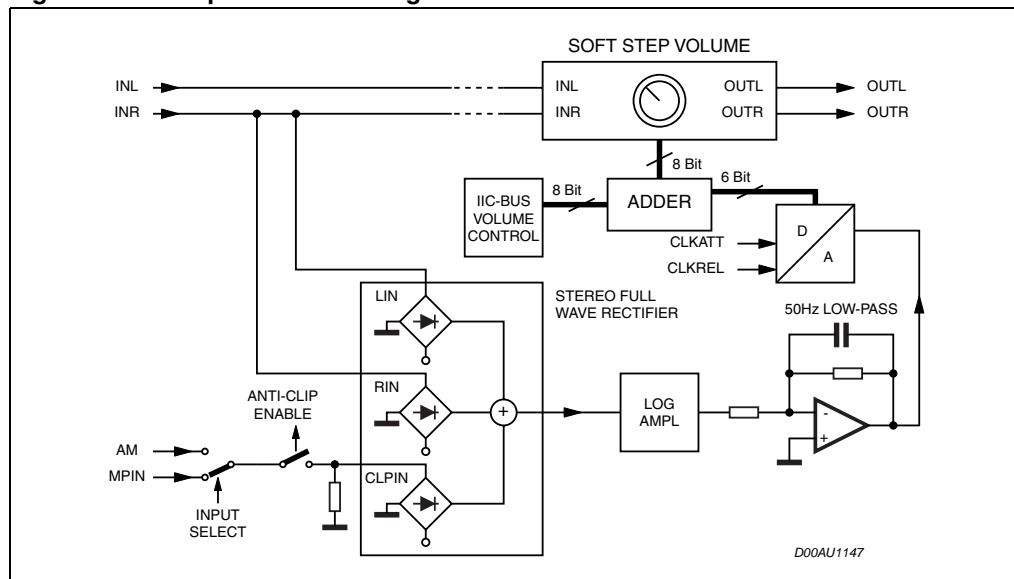
Signal compression

A fully integrated signal compressor with programmable attack and decay times is present in the A619 (see [Figure 17](#)).

The compressor consists of a signal level detection, an A/D Converter plus adder and the normal softstep volume stage. First of all the left and the right InGain-signal is rectified, respectively, and the logarithm is build from the summed signal. The following low-pass smooth the output-signal of the logarithm amplifier and improves the low frequency suppression. The low pass output-voltage then is A/D converted and added to the current volume-word defined by the I<sup>2</sup>C bus. Assuming reference level or higher at the compressor input, the output of the ADC is 0. At lower levels the voltage is increasing with 1Bit/dB. It is obvious that with this configuration and a 0.5dB-step volume stage the compression rate is fixed to 2:1 (1dB less at the input leads to 0.5dB less at the output).

The internal reference level of the compressor is programmable in three steps from 0.5V<sub>RMS</sub> to 2V<sub>RMS</sub>. For a proper behavior of the compression circuit it is mandatory to have at a 0dB input signal exactly the programmed reference level after the InGain-stage. E.g. at a configured reference-level of 0.5V<sub>RMS</sub> the output of the InGain stage has to have also 0.5V<sub>RMS</sub> at 0dB source-signal (Usually the 0dB for CD is defined as the maximum possible signal-level). To adapt the external level to the internal reference level the programmable attenuation in the differential stages and the InGain can be used.

**Figure 17. Compressor block diagram**



### 4.10.1 Anti-clipping

In a second application the compressor-circuit can be used for an anti-clipping or limiting function. In this case one of the dedicated inputs (AM or MPin) is connected directly to the clip-detector of the power-amplifier. If no clipping is detected, the open-collector output of the power-amplifier is highohmic and the input-voltage of the rectifier is V<sub>REF</sub>. The level detector interprets this as a very small signal and reacts with the maximum programmed compressor gain. In the application this gain has to be compensated by decreasing the

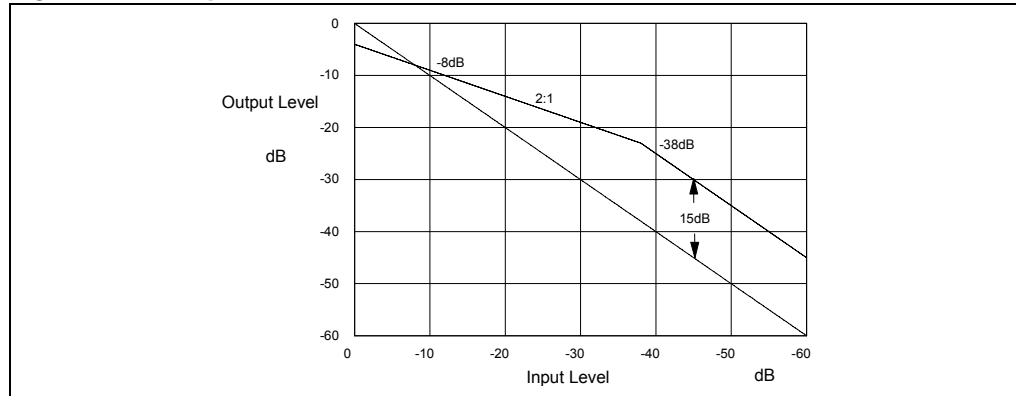
volume with the same value in order to get the desired output-level. In clipping situation the open collector current generates a voltage drop at the rectifier input, which forces the compander to decrease the gain until the clipping disappears.

It is even possible to run the compression mode and the anti-clipping mode in parallel. In this case the maximum compander gain should be set to 29dB.

#### 4.10.2 Characteristic

To achieve the desired compression characteristic like shown below the volume has to be decreased by 4dB.

**Figure 18. Compander characteristic**



#### 4.10.3 I<sup>2</sup>C bus timing

While the compander is working, a volume word coming from this stage is added to the I<sup>2</sup>C bus volume word, and the volume is changed with a soft slope between adjacent steps (softstep stage). As mentioned in the description of this stage, it is not recommended to change the volume during this slope. To avoid this while the compander is working and the volume has to be changed, the compander hold-bit is implemented (Bit 7 in the subaddress byte). The recommended timing for changing the volume during compander ON is the following:

1. Set the compander hold bit
2. Wait the actual softstep time
3. Change the volume
4. Reset the compander hold bit

The softstep-times are in compander ON condition automatically adapted to the attack time of the compander. In the following table the related SoftStep-times are shown:

**Table 6. Attack times vs soft-step times**

Attack time	SoftStep time
6ms	0.16ms
12ms	0.32ms
24ms	0.64ms
48ms	1.28ms

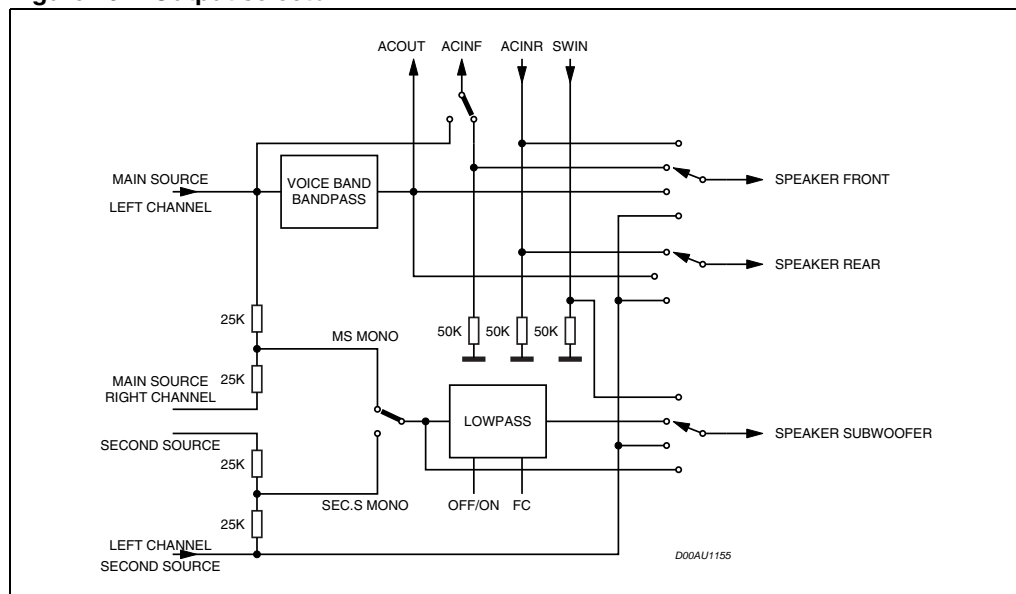
### 4.11 AC coupling

In some applications additional signal manipulations are desired, for example surround sound or more band equalizing. For this purpose an AC coupling is placed before the speaker attenuators, which can be activated or internally shorted by the I<sup>2</sup>C bus. In short condition the input signal of the speaker attenuator is available at the AC outputs. The input impedance of this AC Inputs is 50kΩ.

### 4.12 Output selector

The output-selector allows to connect the main- or the second-source to the front, rear and subwoofer speaker attenuator, respectively. As an example of this programming the device is able to connect via software the main source to the back (rear) and the second source to the front (see *Figure 17*). In addition to this stage allows to setup different applications by I<sup>2</sup>C bus programming. Three examples are given in *Figure 18, 19, and 20*.

**Figure 19. Output selector**



## 4.13 Subwoofer

Several different applications are possible with the subwoofer circuit:

1. Subwoofer filter OFF
  - a) Main source stereo (AC coupled)
  - b) Second source stereo (DC coupled)
  - c) Main source mono differential (DC coupled)
  - d) Second source mono-differential (DC coupled)
2. Subwoofer filter ON
  - a) Main source mono differential (DC coupled)
  - b) Second source mono differential (DC coupled)
  - c) Center speaker mode (filtered mono signal at SWL, unfiltered mono signal at SWR)

In all applications the phase of the output-signal can be configured to be  $0^\circ$  or  $180^\circ$ . In the center speaker mode only at the filtered output the phase is changed.

**Figure 20. Application 1 using internal highpass and mono low pass filter**

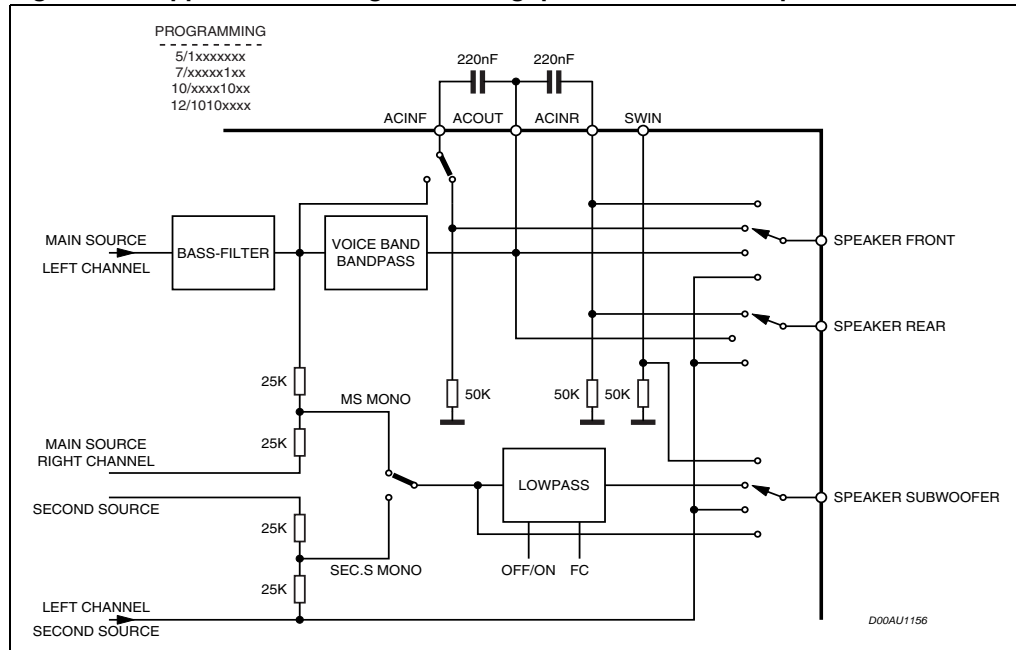


Figure 21. Application 2 using internal highpass and external stereo low pass filter

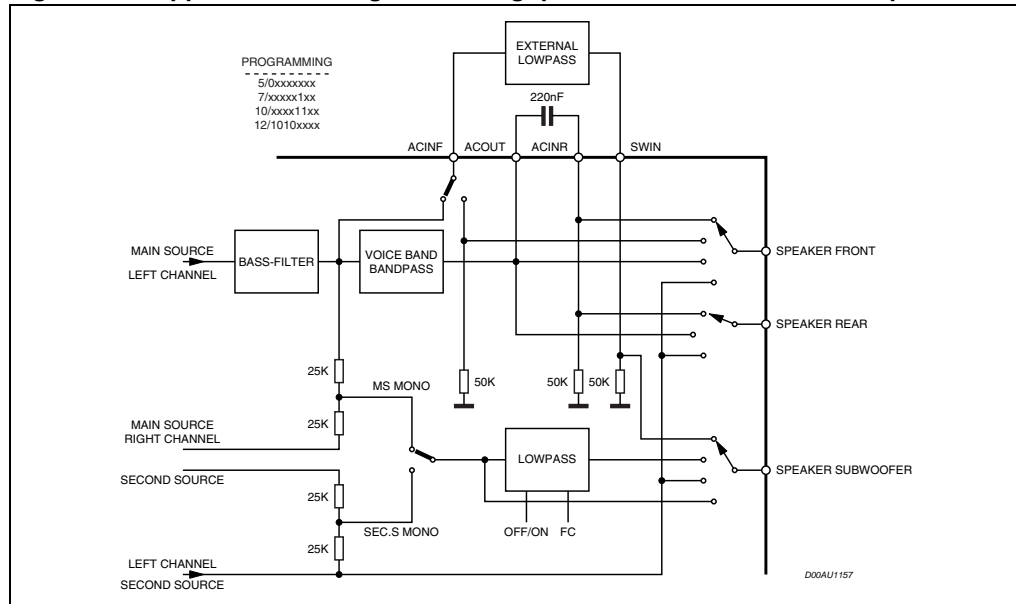
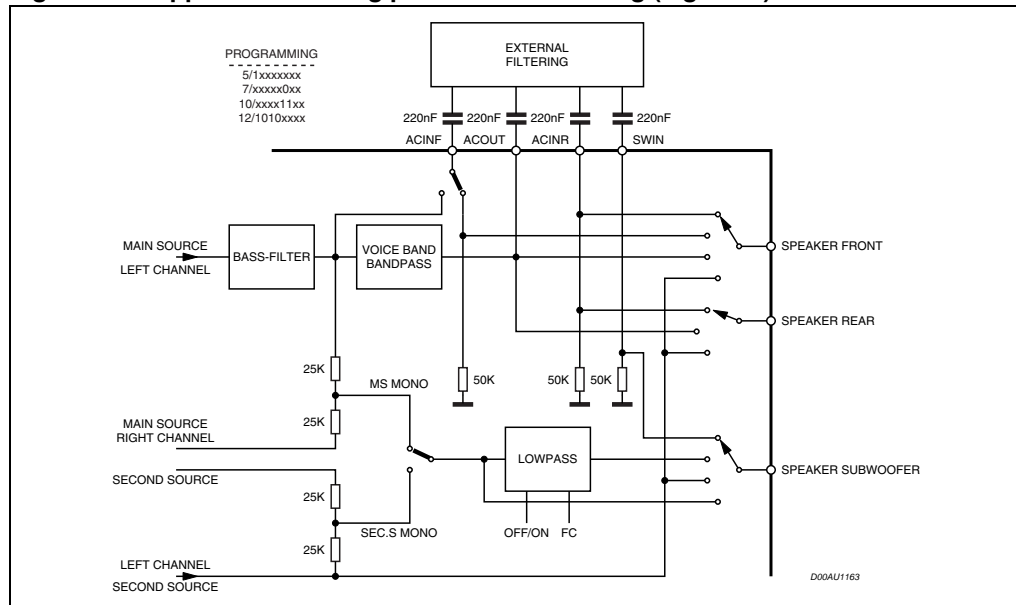


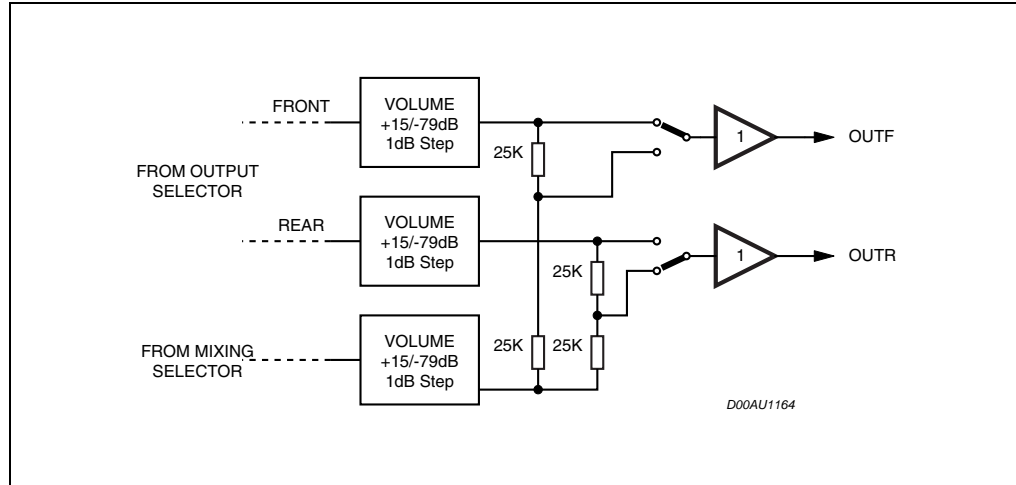
Figure 22. Application 3 using pure external filtering (e.g. DSP)



## 4.14 Speaker attenuator and mixing

A mixing-stage is placed after each speaker attenuator and can be set independly to mixing mode. Having a full volume for the mix signal the stage offers a wide flexibility to adapt the mixing levels.

Figure 23. Output selector



## 4.15 Audioprocessor testing

During the testmode, which can be activated by setting bit  $D_0$  of the stereo decoder testing byte **and** the audioprocessor testing byte, several internal signals are available at the FD2R pin. During this mode the input resistance of 100kOhm is disconnected from the pin. The internal signals available are shown in the data byte specification.

## 5 Stereo decoder part

### 5.1 Features:

- No external components necessary
- PLL with adjustment free, fully integrated VCO
- Automatic pilot dependent MONO/STEREO switching
- Very high suppression of intermodulation and interference
- Programmable roll off compensation
- Dedicated RDS-softmute
- Highcut and stereo blend-characteristics programmable in a wide range
- FM/AM noiseblanker with several threshold controls
- Multipath-detector with programmable internal/external influence
- I<sup>2</sup>C-bus control of all necessary functions

### 5.2 Electrical characteristics

$V_S = 9V$ , de-emphasis time constant =  $50\mu s$ , MPX input voltage  $V_{MPX} = 500mV$  (75kHz deviation), modulation frequency = 1kHz, input gain = 6dB,  $T_{amb} = 27^\circ C$ , unless otherwise specified.

**Table 7. Electrical characteristics**

Symbol	Parameter	Test condition	Min.	Typ.	Max.	Unit
$V_{in}$	MPX input level	Input gain = 3.5dB		0.5	1.25	$V_{rms}$
$R_{in}$	Input resistance		70	100	130	$k\Omega$
$G_{min}$	Min. input gain		1.5	3.5	4.5	dB
$G_{max}$	Max. input gain		8.5	11	12.5	dB
$G_{step}$	Step resolution		1.75	2.5	3.25	dB
SVRR	Supply voltage ripple rejection	$V_{ripple} = 100mV, f = 1kHz$		55		dB
a	Max. channel separation		30	50		dB
THD	Total harmonic distortion	$f_{in}=1kHz, mono$		0.02	0.3	%
$\frac{S+N}{N}$	Signal plus noise to noise ratio	A-weighted, $S = 2V_{rms}$	80	91		dB
<b>Mono/Stereo-switch</b>						
$V_{PTHST1}$	Pilot threshold voltage	for stereo, PTH = 1	10	15	25	mV
$V_{PTHST0}$	Pilot threshold voltage	for stereo, PTH = 0	15	25	35	mV
$V_{PTHMO1}$	Pilot threshold voltage	for mono, PTH = 1	7	12	17	mV
$V_{PTHMO0}$	Pilot threshold voltage	for mono, PTH = 0	10	19	25	mV
<b>PLL</b>						
$\Delta f/f$	Capture range		0.5			%



Table 7. Electrical characteristics (continued)

Symbol	Parameter	Test condition	Min.	Typ.	Max.	Unit
<b>De-emphasis and highcut</b>						
$\tau_{\text{DeempFM}}$	De-emphasis timeconstants FM	$V_{\text{LEVEL}} \gg V_{\text{HCH}}$	25	50	75	$\mu\text{s}$
		$V_{\text{LEVEL}} \gg V_{\text{HCH}}$	44	62.5	80	$\mu\text{s}$
		$V_{\text{LEVEL}} \gg V_{\text{HCH}}$	50	75	100	$\mu\text{s}$
		$V_{\text{LEVEL}} \gg V_{\text{HCH}}$	70	100	130	$\mu\text{s}$
$M_{\text{FM}}$	Highcut timeconstant multiplier FM	$V_{\text{LEVEL}} \ll V_{\text{HCL}}$		3		
$\tau_{\text{DeempAM}}$	De-emphasis timeconstants AM	$V_{\text{LEVEL}} \gg V_{\text{HCH}}$		37.5		$\mu\text{s}$
		$V_{\text{LEVEL}} \gg V_{\text{HCH}}$		47		$\mu\text{s}$
		$V_{\text{LEVEL}} \gg V_{\text{HCH}}$		56		$\mu\text{s}$
		$V_{\text{LEVEL}} \gg V_{\text{HCH}}$		75		$\mu\text{s}$
$M_{\text{AM}}$	Highcut timeconstant multiplier AM	$V_{\text{LEVEL}} \ll V_{\text{HCL}}$		3.7		
REF5V	Internal reference voltage		4.7	5	5.3	V
$L_{\text{min}}$	min. LEVEL gain		-1	0	1	dB
$L_{\text{maxs}}$	max. LEVEL gain		5	6	7	dB
$L_{\text{Gstep}}$	LEVEL gain step resolution	see section 2.7	0.2	0.4	0.6	dB
$\text{VSBL}_{\text{min}}$	Min. voltage for mono	see section 2.8	17	20	23	%REF 5V
$\text{VSBL}_{\text{max}}$	Max. voltage for mono	see section 2.8	62	70	78	%REF 5V
$\text{VSBL}_{\text{step}}$	Step resolution	see section 2.8	1.6	3.3	5.0	%REF 5V
$\text{VHCH}_{\text{min}}$	Min. voltage for NO highcut	see section 2.9	37	42	47	%REF 5V
$\text{VHCH}_{\text{max}}$	Max. voltage for NO highcut	see section 2.9	58	66	74	%REF 5V
$\text{VHCH}_{\text{step}}$	Step resolution	see section 2.9	4.2	8.4	12.6	%REF 5V
$\text{VHCL}_{\text{min}}$	Min. voltage for FULL high cut	see section 2.9	15	17	19	%VHCH
$\text{VHCL}_{\text{max}}$	Max. voltage for FULL high cut	see section 2.9	29	33	37	%VHCH
$\text{VHCL}_{\text{step}}$	Step resolution	see section 2.9	2.1	4.2	6.3	%REF 5V
<b>Carrier and harmonic suppression at the output</b>						
$\alpha_{19}$	Pilot signal f=19kHz		40	50		dB
$\alpha_{38}$	Subcarrier f=38kHz			75		dB
$\alpha_{57}$	Subcarrier f=57kHz			62		dB
$\alpha_{76}$	Subcarrier f=76kHz			90		dB

Table 7. Electrical characteristics (continued)

Symbol	Parameter	Test condition	Min.	Typ.	Max.	Unit
<b>De-emphasis and highcut</b>						
$\tau_{\text{DeempFM}}$	De-emphasis timeconstants FM	$V_{\text{LEVEL}} \gg V_{\text{HCH}}$	25	50	75	$\mu\text{s}$
		$V_{\text{LEVEL}} \gg V_{\text{HCH}}$	44	62.5	80	$\mu\text{s}$
		$V_{\text{LEVEL}} \gg V_{\text{HCH}}$	50	75	100	$\mu\text{s}$
		$V_{\text{LEVEL}} \gg V_{\text{HCH}}$	70	100	130	$\mu\text{s}$
$M_{\text{FM}}$	Highcut timeconstant multiplier FM	$V_{\text{LEVEL}} \ll V_{\text{HCL}}$		3		
$\tau_{\text{DeempAM}}$	De-emphasis timeconstants AM	$V_{\text{LEVEL}} \gg V_{\text{HCH}}$		37.5		$\mu\text{s}$
		$V_{\text{LEVEL}} \gg V_{\text{HCH}}$		47		$\mu\text{s}$
		$V_{\text{LEVEL}} \gg V_{\text{HCH}}$		56		$\mu\text{s}$
		$V_{\text{LEVEL}} \gg V_{\text{HCH}}$		75		$\mu\text{s}$
$M_{\text{AM}}$	Highcut timeconstant multiplier AM	$V_{\text{LEVEL}} \ll V_{\text{HCL}}$		3.7		
REF5V	Internal reference voltage		4.7	5	5.3	V
$L_{\text{min}}$	min. LEVEL gain		-1	0	1	dB
$L_{\text{maxs}}$	max. LEVEL gain		5	6	7	dB
$L_{\text{Gstep}}$	LEVEL gain step resolution	see section 2.7	0.2	0.4	0.6	dB
$\text{VSBL}_{\text{min}}$	Min. voltage for mono	see section 2.8	17	20	23	%REF 5V
$\text{VSBL}_{\text{max}}$	Max. voltage for mono	see section 2.8	62	70	78	%REF 5V
$\text{VSBL}_{\text{step}}$	Step resolution	see section 2.8	1.6	3.3	5.0	%REF 5V
$\text{VHCH}_{\text{min}}$	Min. voltage for NO highcut	see section 2.9	37	42	47	%REF 5V
$\text{VHCH}_{\text{max}}$	Max. voltage for NO highcut	see section 2.9	58	66	74	%REF 5V
$\text{VHCH}_{\text{step}}$	Step resolution	see section 2.9	4.2	8.4	12.6	%REF 5V
$\text{VHCL}_{\text{min}}$	Min. voltage for FULL high cut	see section 2.9	15	17	19	%VHCH
$\text{VHCL}_{\text{max}}$	Max. voltage for FULL high cut	see section 2.9	29	33	37	%VHCH
$\text{VHCL}_{\text{step}}$	Step resolution	see section 2.9	2.1	4.2	6.3	%REF 5V
<b>Carrier and harmonic suppression at the output</b>						
$\alpha_{19}$	Pilot signal $f=19\text{kHz}$		40	50		dB
$\alpha_{38}$	Subcarrier $f=38\text{kHz}$			75		dB
$\alpha_{57}$	Subcarrier $f=57\text{kHz}$			62		dB
$\alpha_{76}$	Subcarrier $f=76\text{kHz}$			90		dB

Table 7. Electrical characteristics (continued)

Symbol	Parameter	Test condition	Min.	Typ.	Max.	Unit
<b>Intermodulation (Note 2.3.1)</b>						
$\alpha_2$	$f_{\text{mod}}=10\text{kHz}$ , $f_{\text{spur}}=1\text{kHz}$			65		dB
$\alpha_3$	$f_{\text{mod}}=13\text{kHz}$ , $f_{\text{spur}}=1\text{kHz}$			75		dB
<b>Traffic Radio (Note 2.3.2)</b>						
$\alpha_{57}$	Signal $f=57\text{kHz}$			70		dB
<b>SCA - Subsidiary Communications Authorization (Note 2.3.3)</b>						
$\alpha_{67}$	Signal $f = 67\text{kHz}$			75		dB
<b>ACI - Adjacent Channel Interference (Note 2.3.4)</b>						
$\alpha_{114}$	Signal $f=114\text{kHz}$			95		dB
$\alpha_{190}$	Signal $f=190\text{kHz}$			84		dB

## 5.3 Notes about the characteristics

### 5.3.1 Intermodulation suppression

$$\alpha_2 = \frac{V_O(\text{signal})(\text{at}1\text{kHz})}{V_O(\text{spurious})(\text{at}1\text{kHz})} \cdot f_s = (2 \cdot 10\text{kHz}) - 19\text{kHz}$$

$$\alpha_3 = \frac{V_O(\text{signal})(\text{at}1\text{kHz})}{V_O(\text{spurious})(\text{at}1\text{kHz})} \cdot f_s = (3 \cdot 13\text{kHz}) - 38\text{kHz}$$

measured with: 91% pilot signal;  $f_m = 10\text{kHz}$  or  $13\text{kHz}$ .

### 5.3.2 Traffic radio (V.F.) suppression

$$\alpha_{57(\text{V.W.F})} = \frac{V_O(\text{signal})(\text{at}1\text{kHz})}{V_O(\text{spurious})(\text{at}1\text{kHz} \pm 23\text{kHz})}$$

measured with: 91% stereo signal; 9% pilot signal;  $f_m=1\text{kHz}$ ; 5% subcarrier ( $f=57\text{kHz}$ ,  $f_m=23\text{Hz}$  AM,  $m=60\%$ )

### 5.3.3 SCA (subsidiary communications authorization)

$$\alpha_{67} = \frac{V_O(\text{signal})(\text{at}1\text{kHz})}{V_O(\text{spurious})(\text{at}1\text{kHz})} \cdot f_s = (2 \cdot 38\text{kHz}) - 67\text{kHz}$$

measured with: 81% mono signal; 9% pilot signal;  $f_m=1\text{kHz}$ ; 10%SCA - subcarrier ( $f_s = 67\text{kHz}$ , unmodulated).

### 5.3.4 ACI (adjacent channel interference)

$$\alpha_{114} = \frac{V_{O(\text{signal})}(\text{at } 1\text{kHz})}{V_{O(\text{spurious})}(\text{at } 4\text{kHz})} \cdot f_s = 110\text{kHz} - (3 \cdot 38\text{kHz})$$

$$\alpha_{190} = \frac{V_{O(\text{signal})}(\text{at } 1\text{kHz})}{V_{O(\text{spurious})}(\text{at } 4\text{kHz})} \cdot f_s = 186\text{kHz} - (5 \cdot 38\text{kHz})$$

measured with: 90% mono signal; 9% pilot signal;  $f_m=1\text{kHz}$ ; 1% spurious signal ( $f_s = 110\text{kHz}$  or  $186\text{kHz}$ , unmodulated).

## 5.4 Noise blanker part

### 5.4.1 Features:

- AM and FM mode
- internal 2nd order 140kHz high-pass filter for MPX path
- internal rectifier and filters for AM-IF path
- programmable trigger thresholds
- trigger threshold dependent on high frequency noise with programmable gain
- additional circuits for deviation and fieldstrength dependent trigger adjustment
- 4 selectable pulse suppression times for each mode
- programmable noise rectifier charge/discharge current

All parameters measured in FM mode if not otherwise specified.

**Table 8. Electrical characteristics**

Symbol	Parameter	Test condition	Min.	Typ.	Max.	Unit
$V_{TR}$	Trigger threshold <sup>(1)</sup>	meas.with $V_{PEAK}=0.9V$	111	30		$mV_{OP}$
			110	35		$mV_{OP}$
			101	40		$mV_{OP}$
			100	45		$mV_{OP}$
			011	50		$mV_{OP}$
			010	55		$mV_{OP}$
			001	60		$mV_{OP}$
			000	65		$mV_{OP}$
$V_{TRNOISE}$	Noise controlled Trigger threshold	meas.with $V_{PEAK}=1.5V$	00	260		$mV_{OP}$
			01	220		$mV_{OP}$
			10	180		$mV_{OP}$
			11	140		$mV_{OP}$

Table 8. Electrical characteristics

Symbol	Parameter	Test condition	Min.	Typ.	Max.	Unit	
$V_{RECT}$	Rectifier voltage	$V_{MPX}=0mV$	0.5	0.9	1.3	V	
		$V_{MPX}=50mV, f=150kHz$	1.5	1.7	2.1	V	
		$V_{MPX}=200mV, f=150kHz$	2	2.5	2.9	V	
$V_{RECTDEV}$	Deviation dependent rectifier voltage	meas.with $V_{MPX}=500mV$ (75kHz dev.)	11	0.5	0.9(off)	1.3	$V_{OP}$
			10	0.9	1.2	1.5	$V_{OP}$
			01	1.7	2.0	2.3	$V_{OP}$
			00	2.5	2.8	3.1	$V_{OP}$
$V_{RECTFS}$	Fieldstrength controlled rectifier voltage	meas.with $V_{MPX}=0mV,$ $V_{LEVEL} \ll V_{SBL}$ (fully mono)	11	0.5	0.9(off)	1.3	V
			10	0.9	1.4	1.5	V
			01	1.7	1.9	2.3	V
			00	2.1	2.4	3.1	V
$T_{SFM}$	Suppression pulse duration FM	Signal HOLDN in testmode	00		38		$\mu s$
			01		25.5		$\mu s$
			10		32		$\mu s$
			11		22		$\mu s$
$T_{SAM}$	Suppression pulse duration AM	Signal HOLDN in testmode	00		1.2		ms
			01		800		$\mu s$
			10		1.0		$\mu s$
			11		640		$\mu s$
$V_{RECTADJ}$	Noise rectifier discharge <sup>(2)</sup> adjustment	Signal PEAK in testmode	00		0.3		V/ms
			01		0.8		
			10		1.3		
			11		2.0		
$SR_{PEAK}$	Noise rectifier <sup>(2)</sup> charge	Signal PEAK in testmode	0		10		mV/ $\mu s$
			1		20		
$V_{ADJMP}$	Noise rectifier adjustment through multipath <sup>(2)</sup>	Signal PEAK in testmode	00		0.3		V/ms
			01		0.5		
			10		0.7		
			11		0.9		
$R_{AMIF}$	AM IF Input resistance		35	50	65	kOhm	
$G_{AMIF,min}$	min. gain AM IF	Signal AM-RECTIFIER in Testmode		6		dB	
$G_{AMIF,max}$	max. gain AM IF			20		dB	
$G_{AMIF,step}$	step gain AM IF			2		dB	
$f_{AMIF,min}$	min. $f_c$ AM IF	Signal AM-RECTIFIER in Testmode		14		kHz	
$f_{AMIF,max}$	max. $f_c$ AM IF			56		kHz	

1. All thresholds are measured using a pulse with  $TR = 2 \mu s$ ,  $THIGH = 2 \mu s$  and  $TF = 10 \mu s$ . The repetition rate must not increase the PEAK voltage.

2. By design/characterization functionally guaranteed through dedicated test mode structure

Figure 24. Vn timing diagram

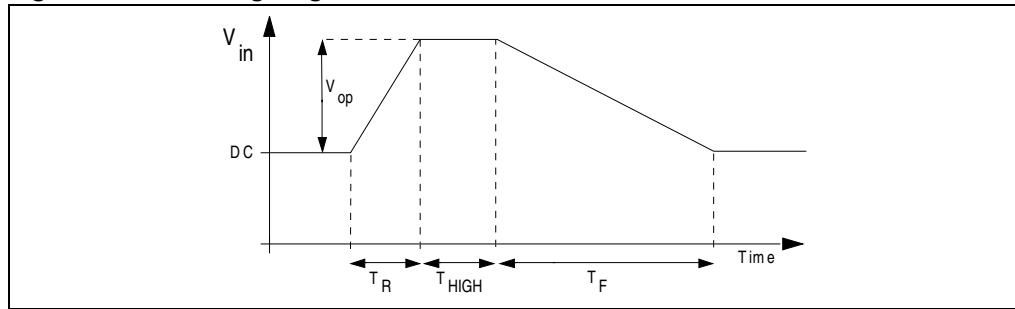


Figure 25. Trigger threshold vs.  $V_{PEAK}$

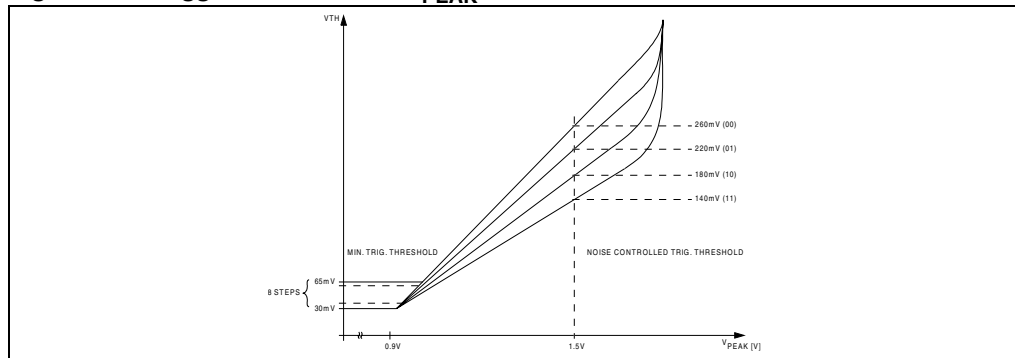


Figure 26. Deviation controlled trigger adjustment

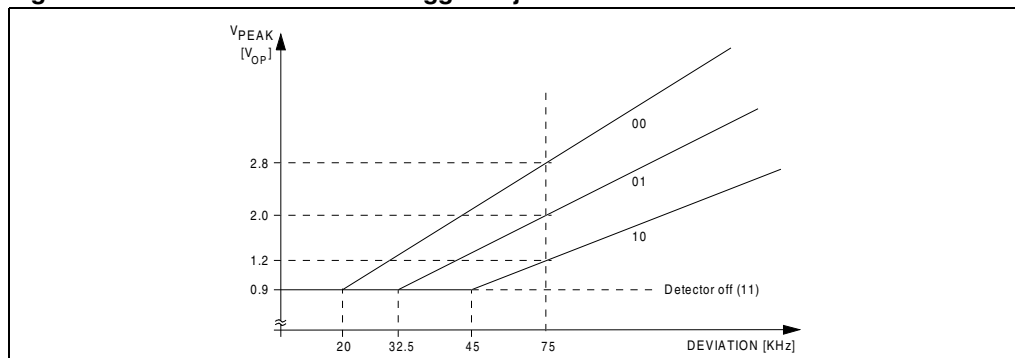
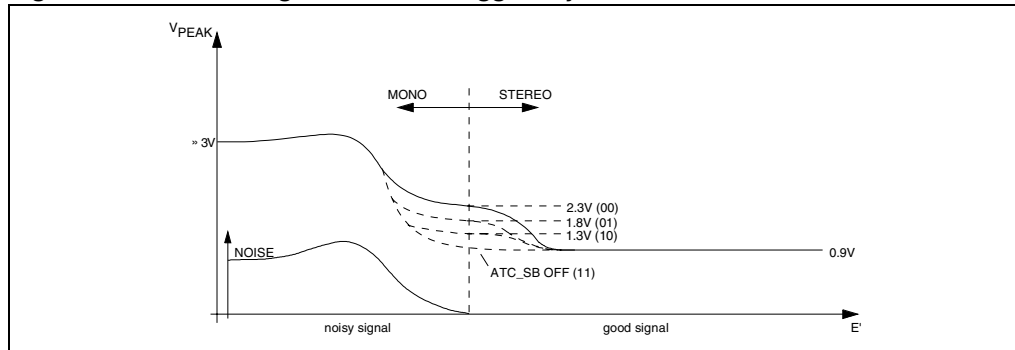


Figure 27. Field strength controlled trigger adjustment



## 5.5 Multipath detector

### 5.5.1 Features:

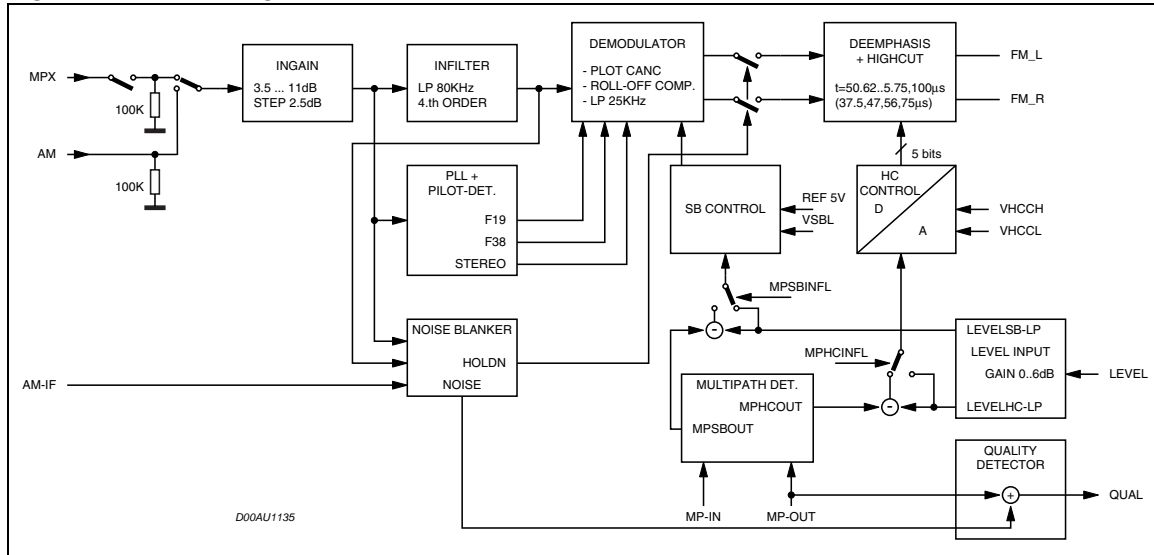
- internal 19kHz band pass filter
- programmable band pass and rectifier gain
- selectable internal influence on stereo blend and/or Highcut

**Table 9. Electrical characteristics of multipath detector**

Symbol	Parameter	Test Condition	Min.	Typ.	Max.	Unit
$f_{\text{CMP}}$	Center frequency of multipath-bandpass	Stereo decoder locked on pilot tone		19		kHz
$G_{\text{BPMP}}$	Bandpass gain	G1		6		dB
		G2		12		dB
		G3		16		dB
		G4		18		dB
$G_{\text{RECTM P}}$	Rectifier gain	G1		7.6		dB
		G2		4.6		dB
		G3		0		dB
$I_{\text{CHMP}}$	Rectifier charge current			0.25 0.5		$\mu\text{A}$
$I_{\text{DISMP}}$	Rectifier discharge current			4		mA
<b>Quality detector</b>						
A	Multipath influence factor	00		0.70		
		01		0.85		
		10		1.00		
		11		1.15		

## 6 Functional description of stereo decoder

Figure 28. Block diagram of stereo decoder



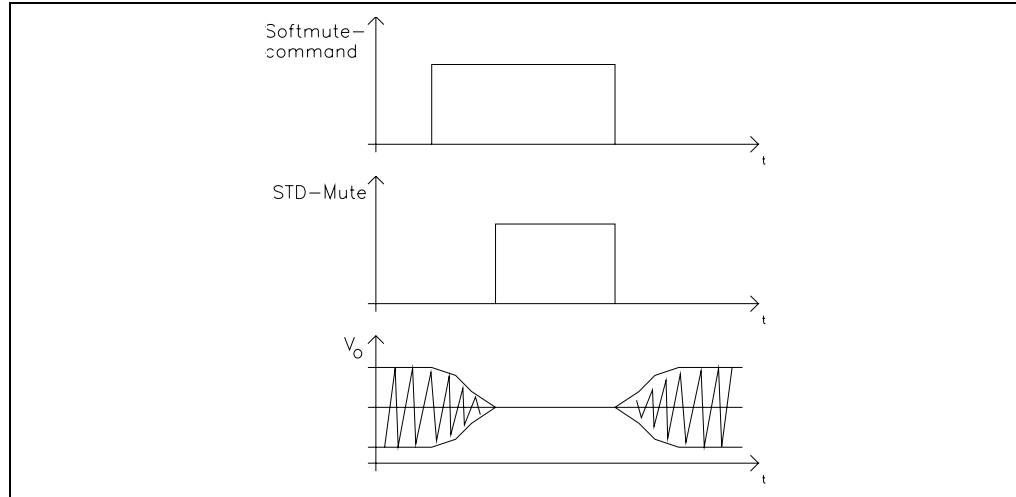
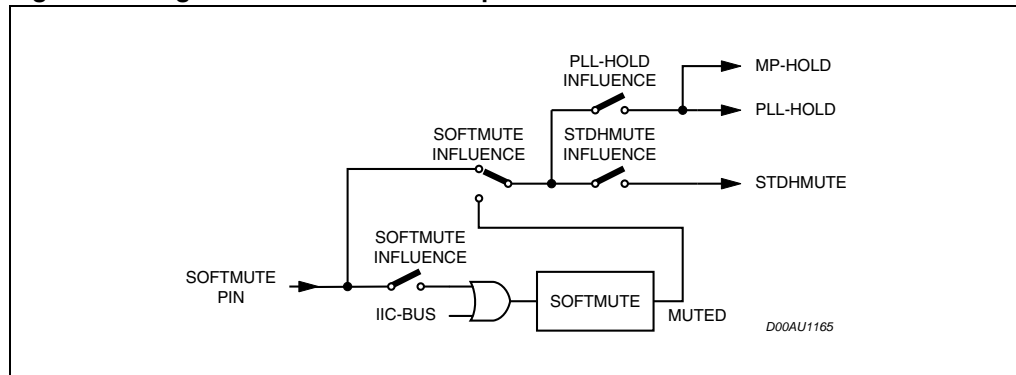
The stereo decoder-part of the A619 (see [Figure 28](#)) contains all functions necessary to demodulate the MPX-signal like pilot tone dependent Mono/Stereo switching as well as "stereo blend" and "highcut". Adaptations like programmable input gain, roll off compensation, selectable de-emphasis time constant and a programmable fieldstrength input allow to use different IF devices.

### 6.1 Stereo decoder mute

The A619 has a fast and easy to control RDS mute function which is a combination of the audioprocessor's SoftMute and the high ohmic mute of the stereo decoder. If the stereo decoder is selected and a SoftMute command is sent (or activated through the SM-pin) the stereo decoder will be set automatically to the high-ohmic mute condition after the audio-signal has been softmuted. Hence a checking of alternate frequencies could be performed. Additionally the PLL can be set to "Hold" mode, which disables the PLL input during the mute time. To release the system from the mute condition simply the unmute command must be sent: the stereo decoder is unmuted immediately and the audioprocessor is softly unmuted. Fig. 26 shows the output-signal  $V_O$  as well as the internal stereo decoder mute signal. This influence of SoftMute on the stereo decoder mute can be switched off by setting bit 3 of the SoftMute byte to "0". A stereo decoder mute command (bit 0, stereo decoder byte set to "1") will also set the stereo decoder independently to the high-ohmic mute state.

If any other source than the stereo decoder is selected the decoder remains muted and the MPX pin is connected to  $V_{ref}$  to avoid any discharge of the coupling capacitor through leakage currents. No further mute command should be applied.



**Figure 29. Signals during stereo decoder's SoftMute****Figure 30. Signal control via SoftMute pin**

## 6.2 InGain + infilter

The InGain stage allows adjustment of the MPX-signal to a magnitude of about  $1V_{\text{rms}}$  internally, which is the recommended value. The 4th order input filter has a corner frequency of 80kHz and is used to attenuate spikes and noise, and acts as an anti-aliasing filter for the following switch capacitor filters.

## 6.3 Demodulator

In the demodulator block, the left and the right channels are separated from the MPX signal. In this stage the 19kHz pilot tone is cancelled. To reach a high channel separation the A619 offers an I<sup>2</sup>C bus programmable roll-off adjustment which is able to compensate for the lowpass behavior of the tuner section. If the tuner's attenuation at 38kHz is in a range from 7.2% to 31.0%, the A619 needs no external network in front of the MPX-pin. Within this range, an adjustment to obtain at least 40dB channel separation is possible. The bits for this adjustment are located together with the fieldstrength adjustment in one byte. This gives the possibility to perform an optimization step during the production of the car radio, where the

channel separation and the fieldstrength control are trimmed. The setup of the stereo blend characteristics which is programmable in a wide range is described in [Chapter 6.8](#).

## 6.4 De-emphasis and highcut

The de-emphasis lowpass allows to choose a time constant between 37.5 and 100 $\mu$ s. The highcut control range will be  $2 \times \tau_{Deemp}$  or  $2.7 \times \tau_{Deemp}$  dependent on the selected time constant (see programming section). The bit D7 of the highcut-byte will shift timeconstant and range.

Inside the highcut control range (between VHCH and VHCL) the LEVEL signal is converted into a 5 bit word which controls the lowpass time constant between  $\tau_{Deemp} \dots 3 (3.7) \times \tau_{Deemp}$ . Thereby the resolution will remain always 5 bits independently of the absolute voltage range between the VHCH and VHCL values. In addition the maximum attenuation can be fixed between 2 and 10dB.

The highcut function can be switched off by I<sup>2</sup>C bus (bit D<sub>7</sub>, Highcut byte set to "0").

The setup of the highcut characteristics is described in [Chapter 6.9](#).

## 6.5 PLL and pilot tone detector

The PLL has the task to lock on the 19kHz pilot tone during a stereo transmission to allow a correct demodulation. The included pilot tone-detector enables the demodulation if the pilot tone reaches the selected pilot tone threshold  $V_{PTHST}$ . Two different thresholds are available. The detector output (signal STEREO, see the Block diagram) can be checked by reading the status byte of the A619 via I<sup>2</sup>C-bus. During a Softmute the PLL can be set into "Hold"-mode which freezes the PLL's state (bit D<sub>4</sub>, Softmute byte). After releasing the Softmute the PLL will again follow the input signal only by correcting the phase error.

## 6.6 Field strength control

The fieldstrength input is used to control the highcut and the stereo blend function. In addition the signal can be also used to control the noiseblanker thresholds and as input for the multipath detector. These additional functions are described in sections [6.3](#) and [7](#).

## 6.7 LEVEL input and gain

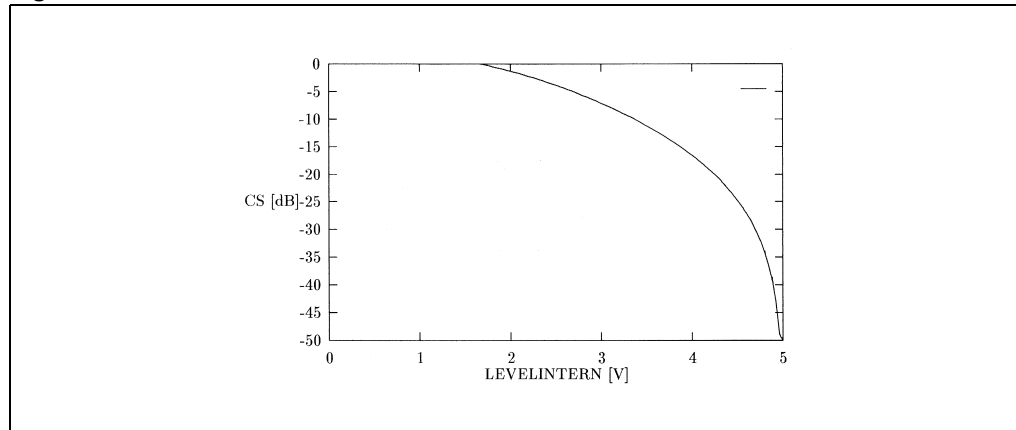
To suppress undesired high frequency modulation on the highcut- and stereo blend-control signal the LEVEL signal is lowpass filtered firstly. The filter is a combination of a 1st order RC lowpass at 53kHz (working as anti-aliasing filter) and a 1st-order switched capacitor lowpass at 2.2kHz. The second stage is a programmable gain stage to adapt the LEVEL signal internally to different IF devices (see Testmode section 5: LEVELHCC). The gain is widely programmable in 16 steps from 0dB to 6dB (step=0.4dB). These 4 bits are located together with the Roll-Off bits in the "Stereo decoder adjustment" byte to simplify a possible adjustment during the production of the car radio. This signal controls directly the Highcut stage whereas the signal is filtered again ( $f_c=100$ Hz) before the stereo blend stage (see [Figure 35](#)).

## 6.8 Stereo blend control

The stereo blend control block converts the internal LEVEL voltage (LEVELSB) into an demodulator compatible analog signal which is used to control the channel separation between 0dB and the maximum separation. Internally this control range has a fixed upper limit which is the internal reference voltage REF5V. The lower limit can be programmed between 20 and 70% of REF5V in 3.3% steps (see [Figure 31](#) and [32](#)).

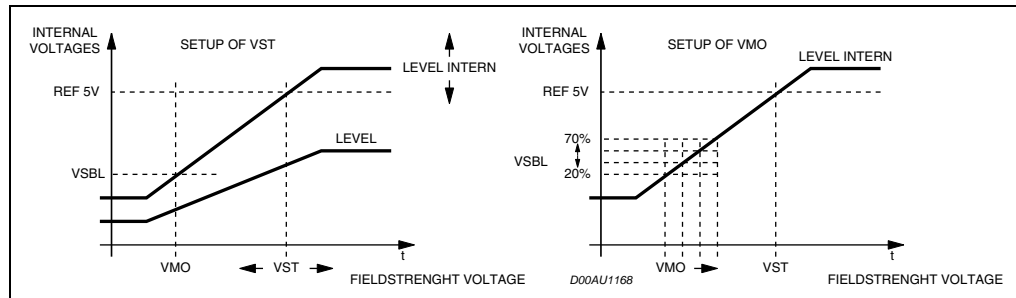
To adjust the external LEVEL voltage to the internal range two values must be defined: the LEVEL gain  $L_G$  and VSBL (see [Figure 32](#)). At the point of full channel separation the external level signal has to be amplified that internally it becomes equal to REF5V. The second point (e.g. 10dB channel sep.) is then adjusted with the VSBL voltage.

**Figure 31. Internal stereo blend characteristics**



The gain can be programmed through 4 bits in the "Stereo decoder adjustment" byte. All necessary internal reference voltages like REF5V are derived from a bandgap circuit. Therefore they have a temperature co-efficient near zero.

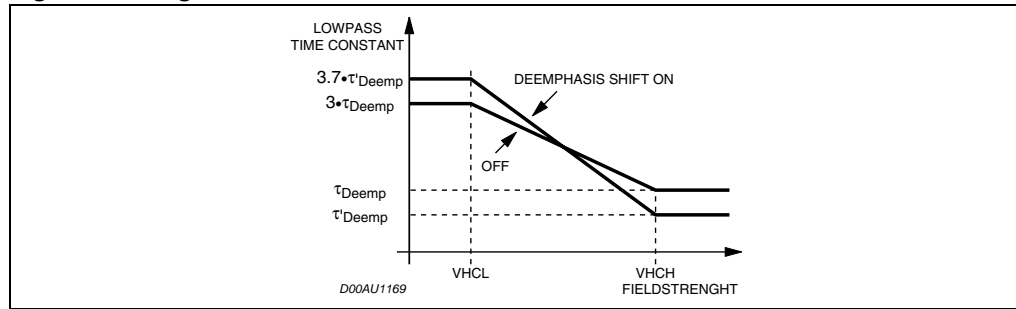
**Figure 32. Relation between internal and external LEVEL voltages for setup of stereo blend**



## 6.9 Highcut control

The highcut control set-up is similar to the stereo blend control set up : the starting point VHCH can be set with 2 bits to be 42, 50, 58 or 66% of REF5V whereas the range can be set to be 17, 22, 28 or 33% of VHCH (see [Figure 33](#)).

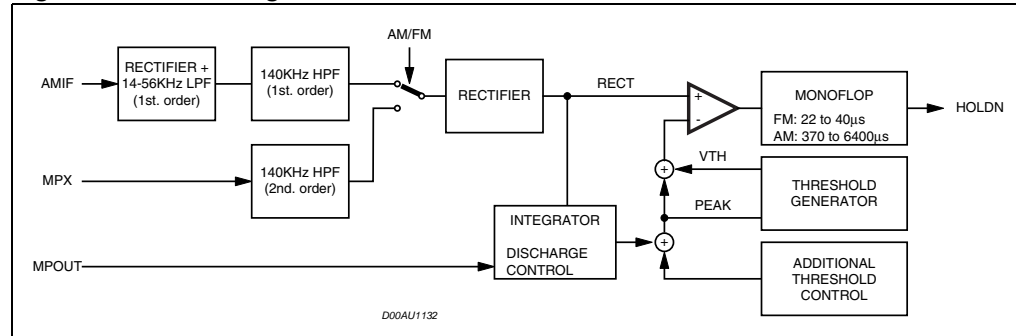
Figure 33. Highcut characteristics



## 7 Functional description of the noise blanker

In the automotive environment the MPX-signal as well as the AM signal is disturbed by spikes produced by the ignition and other radiating sources like the wiper motor. The aim of the noiseblanker part is to cancel the audible influence of the spikes. Therefore the output of the stereo decoder is held at the actual voltage for a time between 22 and 38 $\mu$ s in FM (370 and 645 $\mu$ s in AM mode). The block diagram of the noise blanker is given in [Figure 34](#).

**Figure 34. Block diagram of the noise blanker**



In a first stage the spikes must be detected but to avoid a wrong triggering on high frequency (white) noise a complex trigger control is implemented. Behind the trigger stage a pulse former generates the "blanking" pulse.

### 7.1 Trigger path FM

The incoming MPX signal is highpass-filtered, amplified and rectified. This second order highpass filter has a corner-frequency of 140kHz. The rectified signal, RECT, is integrated (lowpass filtered) to generate a signal called PEAK. The DC-charge/discharge behaviour can be adjusted as well as the transient behaviour (MP discharge control). Also noise with a frequency 140kHz increases the PEAK voltage. The PEAK voltage is fed to a threshold generator, which adds to the PEAK voltage a DC dependent threshold VTH. Both signals, RECT and PEAK+VTH are fed to a comparator which triggers a re-triggerable monoflop. The monoflop's output activates the sample and hold circuits in the signalpath for the selected duration.

### 7.2 Noise controlled threshold adjustment (NCT)

There are mainly two independent possibilities for programming the trigger threshold:

1. the low threshold in 8 steps (bits  $D_1$  to  $D_3$  of the noiseblanker byte I)
2. and the noise adjusted threshold in 4 steps (bits  $D_4$  and  $D_5$  of the noiseblanker byte I, see [Figure 21](#)).

The low threshold is active in combination with a good MPX signal without noise; the PEAK voltage is less than 1V. The sensitivity in this operation is high.

If the MPX signal is noisy (low fieldstrength) the PEAK voltage increases due to the higher noise, which is also rectified. With increasing of the PEAK voltage the trigger threshold increases, too. This gain is programmable in 4 steps (see [Figure 25](#)).

## 7.3 Additional threshold control mechanism

### 7.3.1 Automatic threshold control by the stereo blend voltage

Besides the noise controlled threshold adjustment there is an additional possibility for influencing the trigger threshold which depends on the stereo blend control.

The point where the MPX signal starts to become noisy is fixed by the RF part. Therefore also the starting point of the normal noise-controlled trigger adjustment is fixed (*Figure 27*). In some cases the behavior of the noiseblanker can be improved by increasing the threshold even in a region of higher fieldstrength. Sometimes a wrong triggering occurs for the MPX signal often shows distortion in this range which can be avoided even if using a low threshold. Because of the overlap of this range and the range of the stereo/mono transition it can be controlled by stereo blend. This increase of the threshold is programmable in 3 steps or switched off.

### 7.3.2 Over deviation detector

If the system is tuned to stations with a high deviation the noiseblanker can trigger on the higher frequencies of the modulation or distortion. To avoid this behavior, which causes audible noise in the output signal, the noiseblanker offers a deviation-dependent threshold adjustment. By rectifying the MPX signal a further signal representing the actual deviation is obtained. It is used to increase the PEAK voltage. Offset and gain of this circuit are programmable in 3 steps with the bits  $D_6$  and  $D_7$  of the noiseblanker byte I (bit combination '00' turns off the detector, see *Figure 26*).

### 7.3.3 Multipath level

To react on high repetitive spikes caused by a multipath-situation, the discharge time of the PEAK voltage can be decreased depending on the voltage-level at pin MPout. The A619 offers a linear as well as a threshold driven control. The linear influence of the multipath level on the PEAK-signal ( $D_7$  of multipath control byte) gives a discharge slewrate of  $1V/ms^{(1)}$ . The second possibility is to activate the threshold driven discharge which switches on the 18kOhm discharge if the multipath level is below 2.5V ( $D_7$  of noiseblanker byte II byte).

<sup>(1)</sup>The slewrate is measured with  $R_{Discharge}=\infty$  and  $V_{MPout}=2.5V$

### 7.3.4 AM mode of the noiseblanker

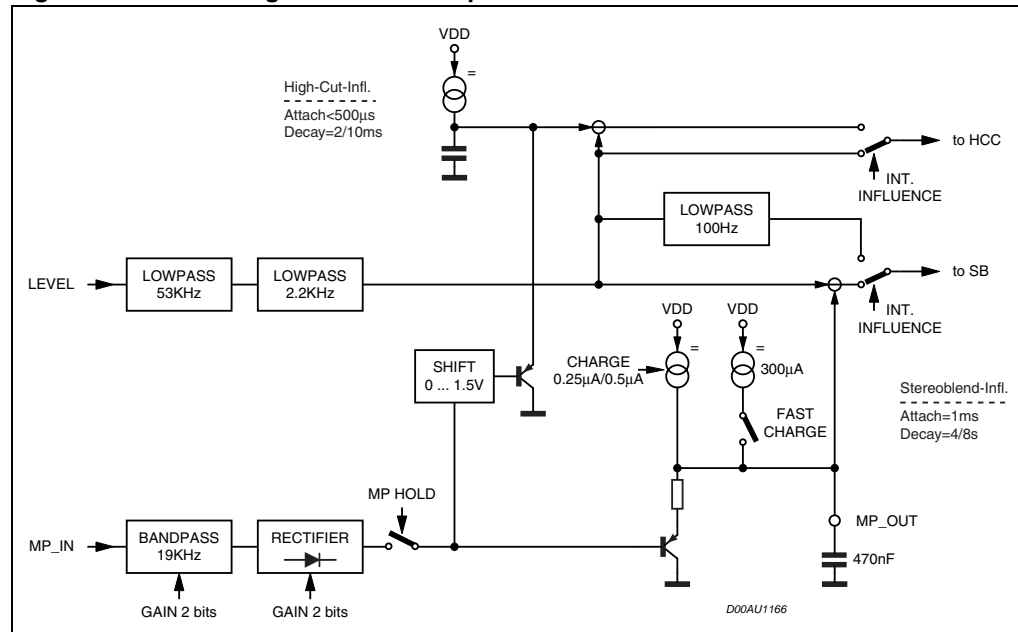
The A619 noiseblanker is also suitable for AM noise cancelling. The detector uses in AM mode the 450kHz unfiltered IF output of the tuner for spike detection. A combination of programmable gain stage and lowpass filter forms an envelope detector which drives the noiseblanker's input via a 120kHz 1st order highpass. In order to blank the whole spike in AM mode the hold-times of the sample and hold circuit are much longer than in FM (640 $\mu$ s to 1.2ms). All threshold controls can be used like in FM mode.

## 8 Functional description of the multipath detector

Using the multipath detector the audible effects of a multipath condition can be minimized. A multipath condition is detected by rectifying the spectrum around 19kHz in the fieldstrength signal. An external capacitor is used to define the attack and decay times for the stereo blend (see block diagram, [Figure 34](#)). Due to the very small charge currents this capacitor should be a low leakage current type (e.g ceramic). Using this configuration an adaptation to the user's requirement is possible without effecting the "normal" fieldstrength input (level) for the stereo decoder. This application is given in [Figure 34](#). Another (internal) time constant is used to control the Highcut through the multipath detector

Selecting the "internal influence" in the configuration byte the stereo-blend and/or the highcut is automatically invoked during a multipath condition according to the voltage appearing at the MP\_OUT pin.

**Figure 35. Block diagram of the multipath detector**



### 8.1 Quality detector

The A619 offers a quality detector output which gives a voltage representing the FM reception conditions. To calculate this voltage the MPX-noise and the multipath-detector output are summed according to the following formula :

$$V_{Qual} = 1.6 (V_{Noise} - 0.8 \text{ V}) + a (REF5V - V_{Mpout}).$$

The noise-signal is the PEAK signal without additional influences (see the noiseblanker description). The factor 'a' can be programmed to 0.7 ... 1.15. The output is a low impedance output able to drive external circuitry as well as simply fed to an AD converter for RDS applications.

## 8.2 Testmode

During the testmode, which can be activated by setting bit  $D_0$  and bit  $D_1$  of the stereo decoder testing byte, several internal signals are available at the FD2R+ pin. During this mode the input resistance of 100kOhm is disconnected from the pin. The internal signals available are shown in the Data byte specification.

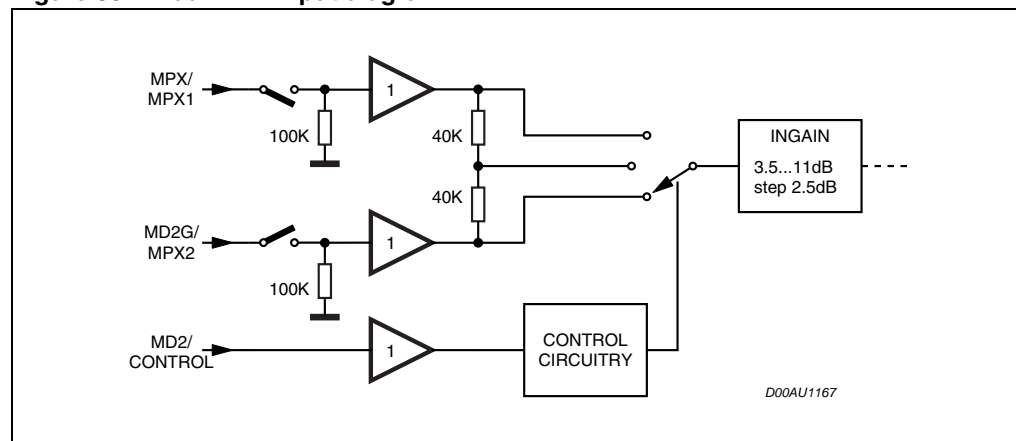
## 8.3 Dual MPX usage

### 8.3.1 Feature description

The A619 is able to support a twin tuner concept via the Dual MPX Mode. In this configuration the MPX pin and the MD2G pin are acting as MPX1 and MPX2 inputs. The DC voltage at the MD2 pin controls whether one or both MPX signals are used to decode the stereo FM signal. It is designed as a window comparator with the characteristic shown in [Figure 3](#) (Please note that the thresholds have a hysteresis of 500mV).

In this mode the stereo decoder high ohmic-mute mutes both inputs in parallel.

**Figure 36. Dual MPX input diagram**



### 8.3.2 Configuration

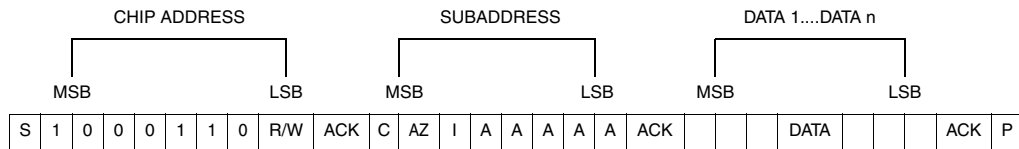
The Dual MPX mode can be easily configured by setting bit 3 of subaddress 30 to LOW (see Byte 30 description and application diagram of [Figure 38](#)).



## 9 I<sup>2</sup>C bus interface

### 9.1 Interface protocol

- The interface protocol comprises:
- a start condition (S)
- a chip address byte (the LSB bit determines read / write transmission)
- a subaddress byte
- a sequence of data (N-bytes + acknowledge)
- a stop condition (P)



S = Start

R/W = "0" -> Receive-Mode (Chip could be programmed by  $\mu$ P)

"1" -> Transmission-Mode (Data could be received by  $\mu$ P)

ACK = Acknowledge

P = Stop

Max clock speed 500kbits/s

### 9.2 Auto increment

If bit I in the subaddress byte is set to "1", the autoincrement of the subaddress is enabled.

### 9.3 Transmitted data (send mode)

**Table 10. Transmitted data (send mode)**

MSB							LSB
X	X	X	X	X	P	ST	SM

SM = Soft mute activated

ST = Stereo

P = Pause

X = Not Used

The transmitted data is automatically updated after each ACK.

Transmission can be repeated without new chipaddress.

A Power-On-Reset is invoked if the Supply voltage is below than 3.5V. After that the following data is written automatically into the registers of all subaddresses :

**Table 11. Reset condition**

MSB							LSB
1	1	1	1	1	1	1	0

The programming after POR is marked bold-face / underlined in the programming tables.

With this programming all the outputs are muted to  $V_{REF}$  ( $V_{OUT} = V_{DD}/2$ ).

## 9.4 Subaddress (receive mode)

Table 12. Subaddress (receive mode)

MSB				LSB				Function
I <sub>2</sub>	I <sub>1</sub>	I <sub>0</sub>	A <sub>4</sub>	A <sub>3</sub>	A <sub>2</sub>	A <sub>1</sub>	A <sub>0</sub>	
0								Compander hold off
1								on
	0							AutoZero remain off
	1							on
		0						Auto Increment Mode off
		1						on
			0	0	0	0	0	Subaddress
			0	0	0	0	1	Main Source Selector
			0	0	0	1	0	Main Loudness
			0	0	0	1	1	Volume
			0	0	1	0	0	Treble
			0	0	1	0	1	Bass
			0	0	1	1	0	Mixing Programming
			0	0	1	1	1	SoftMute
			0	1	0	0	0	Voice-Band
			0	1	0	0	1	Second Source Selector
			0	1	0	1	0	Second Source Loudness
			0	1	0	1	1	Subwoofer Config. / Bass
			0	1	0	1	0	Compander
			0	1	1	0	0	Configuration Audioprocessor I
			0	1	1	0	1	Configuration Audioprocessor II
			0	1	1	1	0	Subwoofer attenuator L
			0	1	1	1	1	Subwoofer attenuator R
			1	0	0	0	0	Speaker attenuator LF
			1	0	0	0	1	Speaker attenuator RF
			1	0	0	1	0	Speaker attenuator LR
			1	0	0	1	1	Speaker attenuator RR
			1	0	1	0	0	Mixing Level Control
			1	0	1	0	1	Testing Audioprocessor
			1	0	1	1	0	stereo decoder
			1	0	1	1	1	Noise-Blanker I
			1	1	0	0	0	Noise-Blanker II
			1	1	0	0	1	AM / AM-Noiseblanker
			1	1	0	1	0	High-Cut Control
			1	1	0	1	1	Fieldstr. & Quality
			1	1	1	0	0	Multipath-Detector
			1	1	1	0	1	stereo decoder Adjustment
			1	1	1	1	0	Configuration stereo decoder
			1	1	1	1	1	Testing Sterodecoder

## 9.5 Data byte specification

The status after power on reset is marked bold face / underlined in the programming tables.

**Table 13. Main selector (0)**

MSB							LSB		Function
D <sub>7</sub>	D <sub>6</sub>	D <sub>5</sub>	D <sub>4</sub>	D <sub>3</sub>	D <sub>2</sub>	D <sub>1</sub>	D <sub>0</sub>		
					0	0	0	Source selector FD1 / SE2	
					0	0	1	SE3	
					0	1	0	FD2	
					0	1	1	SE1	
					1	0	0	MD2	
					1	0	1	MD1 / SE4	
					1	1	0	stereo decoder	
					1	1	1	AM	
	0	0	0	0				Input gain 0dB	
	0	0	0	1				1dB	
	:	:	:	:				:	
	1	1	1	0				14dB	
	1	1	1	1				15dB	
0								Mute off	
1								on	

**Table 14. Main loudness (1)**

MSB							LSB		Function
D <sub>7</sub>	D <sub>6</sub>	D <sub>5</sub>	D <sub>4</sub>	D <sub>3</sub>	D <sub>2</sub>	D <sub>1</sub>	D <sub>0</sub>		
			0	0	0	0	0	Attenuation 0 dB	
			0	0	0	0	1	-1 dB	
			:	:	:	:	:	:	
			0	1	1	1	0	-14 dB	
			0	1	1	1	1	-15 dB	
			:	:	:	:	:	:	
			1	0	0	1	1	-19 dB	
			:	:	:	:	:	not allowed	
	0	0						Center frequency 200Hz	
	0	1						400Hz	
	1	0						600Hz	
	1	1						800Hz	
0								Loudness order First order	
1								Second order	

Table 15. Volume (2)

MSB							LSB	Attenuation
D <sub>7</sub>	D <sub>6</sub>	D <sub>5</sub>	D <sub>4</sub>	D <sub>3</sub>	D <sub>2</sub>	D <sub>1</sub>	D <sub>0</sub>	
0	0	0	0	0	0	0	0	Gain/attenuation (+32.0dB)
0	0	0	0	0	0	0	1	(+31.5dB)
:	:	:	:	:	:	:	:	:
0	0	0	1	1	0	0	0	+20.0dB
0	0	0	1	1	0	0	1	+19.5dB
0	0	0	1	1	0	1	0	+19.0dB
:	:	:	:	:	:	:	:	:
0	0	1	1	1	1	1	1	+0.5dB
0	1	0	0	0	0	0	0	0.0dB
0	1	0	0	0	0	0	1	-0.5dB
:	:	:	:	:	:	:	:	:
1	1	0	1	1	1	1	0	-79.0dB
1	1	0	1	1	1	1	1	-79.5dB

*Note:* It is not recommended to use a gain more than 20dB for system performance reason. In general, the maximum gain should be limited by software to the maximum value, which is needed for the system.

Table 16. Treble filter (3)

MSB							LSB	Function
D <sub>7</sub>	D <sub>6</sub>	D <sub>5</sub>	D <sub>4</sub>	D <sub>3</sub>	D <sub>2</sub>	D <sub>1</sub>	D <sub>0</sub>	
			0	0	0	0	0	Treble steps -15dB
			0	0	0	0	1	-14dB
			:	:	:	:	:	:
			0	1	1	1	0	-1 dB
			0	1	1	1	1	0 dB
			1	1	1	1	1	0 dB
			1	1	1	1	0	+1 dB
			:	:	:	:	:	:
			1	0	0	0	1	+14 dB
			1	0	0	0	0	+15dB
	0	0						Treble center frequency 10.0 kHz
	0	1						12.5 kHz
	1	0						15.0 kHz
	1	1						17.5 kHz
0								Subwoofer + center speaker mode On
1								Off

Table 17. Bass filter (4)

MSB							LSB		Function
D <sub>7</sub>	D <sub>6</sub>	D <sub>5</sub>	D <sub>4</sub>	D <sub>3</sub>	D <sub>2</sub>	D <sub>1</sub>	D <sub>0</sub>		
			0	0	0	0	0	Bass steps	
			0	0	0	0	1	-15dB	
			:	:	:	:	:	-14dB	
			0	1	1	1	0	-1 dB	
			0	1	1	1	1	0 dB	
			1	1	1	1	1	0 dB	
			1	1	1	1	0	+1 dB	
			:	:	:	:	:	:	
			1	0	0	0	1	+14 dB	
			1	0	0	0	0	+15dB	
	0	0						Bass Q-factor	
	0	1						1.0	
	1	0						1.25	
	1	1						1.5	
								2.0	
0								Bass DC-mode	
1								Off	
								On	

Table 18. Mixing programming (5)

MSB							LSB		Function
D <sub>7</sub>	D <sub>6</sub>	D <sub>5</sub>	D <sub>4</sub>	D <sub>3</sub>	D <sub>2</sub>	D <sub>1</sub>	D <sub>0</sub>		
							0	Mixing	
							1	Mute enable	
					0	0		Mixing source	
					0	1		Beep	
					1	0		MD1	
					1	1		MD2	
								FM mono	
				0				Mixing target	
				1				Speaker LF off	
								Speaker LF on	
								Speaker RF off	
								Speaker RF on	
			0					Speaker LR off	
			1					Speaker LR on	
	0	1						Speaker RR off	
	1							Speaker RR on	
0								Stereo subw. using internal highpass filter	
1								On	
								Off	

Table 19. Soft mute (6)

MSB							LSB		Function
D <sub>7</sub>	D <sub>6</sub>	D <sub>5</sub>	D <sub>4</sub>	D <sub>3</sub>	D <sub>2</sub>	D <sub>1</sub>	D <sub>0</sub>		
								SoftMute On (Mute) Off Mutetime = 0.48ms Mutetime = 0.96ms Mutetime = 123ms Mutetime = 324 ms	
				0 1				Influence on stereo decoder highohmic mute on off	
			0 1					Influence on pilot detector hold and MP hold on off	
		0 1						Influence on SoftMute on off	
0 0 1 1	0 1 0 1							Beep frequencies 600 Hz 780 Hz 1.56 kHz 2.4 kHz	

Table 20. Voiceband (7)

MSB							LSB		Function
D <sub>7</sub>	D <sub>6</sub>	D <sub>5</sub>	D <sub>4</sub>	D <sub>3</sub>	D <sub>2</sub>	D <sub>1</sub>	D <sub>0</sub>		
								Voice band low pass enable Filter off Filter on	
						0 1		Voice band low pass frequency 3 kHz 6 kHz	
					0 1			Voice band high pass enable Filter off Filter on	

Table 20. Voiceband (7) (continued)

MSB							LSB	Function
D <sub>7</sub>	D <sub>6</sub>	D <sub>5</sub>	D <sub>4</sub>	D <sub>3</sub>	D <sub>2</sub>	D <sub>1</sub>	D <sub>0</sub>	
		0	0	0				High pass cut off frequency
		0	0	1				90Hz
		0	1	0				135Hz
		1	1	1				180Hz
		1	0	0				215Hz
		1	0	1				300Hz
		1	1	0				450Hz
		1	1	1				600Hz
		1	1	1				750Hz
	0							Anti clipping enable
	1							on
								off
0								Anti clipping input
1								MP-In
								AM

Table 21. Second source selector (8)

MSB							LSB	Function
D <sub>7</sub>	D <sub>6</sub>	D <sub>5</sub>	D <sub>4</sub>	D <sub>3</sub>	D <sub>2</sub>	D <sub>1</sub>	D <sub>0</sub>	
					0	0	0	Source selector
					0	0	1	FD1 / SE2
					0	1	0	SE3
					0	1	1	FD2
					1	0	0	SE1
					1	0	1	MD2
					1	1	0	MD1 / SE4
					1	1	1	stereo decoder
					1	1	1	AM
	0	0	0	0				Input gain
	0	0	0	1				0dB
	:	:	:	:				1dB
	1	1	1	0				:
	1	1	1	1				14dB
								15dB
0								Mute
1								off
								on

Table 22. Second loudness (9)

MSB							LSB	Function
D <sub>7</sub>	D <sub>6</sub>	D <sub>5</sub>	D <sub>4</sub>	D <sub>3</sub>	D <sub>2</sub>	D <sub>1</sub>	D <sub>0</sub>	
			0	0	0	0	0	0 dB
			0	0	0	0	1	-1 dB
			:	:	:	:	:	:
			0	1	1	1	0	-14 dB
			0	1	1	1	1	-15 dB
			:	:	:	:	:	:
			1	0	0	1	1	-19 dB
			:	:	:	:	:	not allowed
	0	0						Center frequency 200Hz
	0	1						400Hz
	1	0						600Hz
	1	1						800Hz
0								Loudness order First order
1								Second order

Table 23. Subwoofer Configuration / Bass (10)

MSB							LSB	Function
D <sub>7</sub>	D <sub>6</sub>	D <sub>5</sub>	D <sub>4</sub>	D <sub>3</sub>	D <sub>2</sub>	D <sub>1</sub>	D <sub>0</sub>	
						0	0	Subwoofer filter off
						0	1	80Hz
						1	0	120Hz
						1	1	160Hz
					0			Subwoofer outputs differential (mono)
					1			single ended (stereo)
				0				Subwoofer source Second source
				1				Main source
			0					Subwoofer phase 180°
			1					0°
0	0	0						Bass center frequency 60Hz
0	0	1						80Hz
0	1	0						70Hz
0	1	1						90Hz
1	0	0						100Hz
1	0	1						130Hz
1	1	0						150Hz
1	1	1						200Hz



Table 24. Compander (11)

MSB							LSB		Function
D <sub>7</sub>	D <sub>6</sub>	D <sub>5</sub>	D <sub>4</sub>	D <sub>3</sub>	D <sub>2</sub>	D <sub>1</sub>	D <sub>0</sub>		
						0	0	Activity / reference level off	
						0	1	0.5V <sub>RMS</sub>	
						1	0	1V <sub>RMS</sub>	
						1	1	2V <sub>RMS</sub>	
				0	0			Attack-times 6ms	
				0	1			12ms	
				1	0			24ms	
				1	1			49ms	
		0	0					Release-times 390ms	
		0	1					780ms	
		1	0					1.17s	
		1	1					1.56s	
	0							<b>SoftStep-time<sup>1)</sup></b> 160μs	
	0							320μs	
	0			0	0			640μs	
	0			0	1			1.28ms	
	1	0	0	1	0			2.56ms	
	1	0	1	1	1			5.12ms	
	1	1	0					10.2ms	
	1	1	1					20.4ms	
0								Compander max. gain 29dB	
1								19dB	

Note: The SoftStep times are only programmable while the compander is not in use.

Table 25. Configuration audioprocessor I (12)

MSB							LSB		Function
D <sub>7</sub>	D <sub>6</sub>	D <sub>5</sub>	D <sub>4</sub>	D <sub>3</sub>	D <sub>2</sub>	D <sub>1</sub>	D <sub>0</sub>		
							0	Compander source Main selector	
							1	Second source selector	
						0		SoftStep off	
						1		on	

**Table 25. Configuration audioprocessor I (12) (continued)**

MSB				LSB				Function
D <sub>7</sub>	D <sub>6</sub>	D <sub>5</sub>	D <sub>4</sub>	D <sub>3</sub>	D <sub>2</sub>	D <sub>1</sub>	D <sub>0</sub>	
					0 1			Main loudness flat Filter ON
				0 1				Second loudness flat Filter ON
		0 0 1 1	0 1 0 1					Front speaker not allowed Second source internal coupled Main source AC coupled Main source internal coupled
0 0 1 1	0 1 0 1							Rear speaker not allowed Second source internal coupled Main source AC coupled Main source internal coupled

**Table 26. Configuration audioprocessor II (13)**

MSB				LSB				Function
D <sub>7</sub>	D <sub>6</sub>	D <sub>5</sub>	D <sub>4</sub>	D <sub>3</sub>	D <sub>2</sub>	D <sub>1</sub>	D <sub>0</sub>	
							0 1	Pause detector off on
					0 0 1 1	0 1 0 1		Pause ZC window 160mV 80mV 40mV not allowed
				0 1				FD1 mode single ended differential
		0 0 1 1	0 1 0 1					FD1 attenuation -12dB -6dB -6dB 0dB

**Table 26. Configuration audioprocessor II (13) (continued)**

MSB							LSB	Function
D <sub>7</sub>	D <sub>6</sub>	D <sub>5</sub>	D <sub>4</sub>	D <sub>3</sub>	D <sub>2</sub>	D <sub>1</sub>	D <sub>0</sub>	
	0 1							FD2 attenuation -6dB 0dB
0 1								MD1 mode single ended differential

**Table 27. Speaker, subwoofer and mixer level-control (14-20)**

MSB							LSB	Function
D <sub>7</sub>	D <sub>6</sub>	D <sub>5</sub>	D <sub>4</sub>	D <sub>3</sub>	D <sub>2</sub>	D <sub>1</sub>	D <sub>0</sub>	
1	0	0	0	1	1	1	1	+15 dB
:	:	:	:	:	:	:	:	:
1	0	0	0	0	0	0	1	+1 dB
1	0	0	0	0	0	0	0	0 dB
0	0	0	0	0	0	0	0	0 dB
0	0	0	0	0	0	0	1	-1 dB
:	:	:	:	:	:	:	:	:
0	0	0	0	1	1	1	1	-15 dB
0	0	0	1	0	0	0	0	-16 dB
:	:	:	:	:	:	:	:	:
0	1	0	0	1	1	1	0	-78 dB
0	1	0	0	1	1	1	1	-79 dB
x	1	1	x	x	x	x	x	Mute

The programming of all speaker, subwoofer and mixing level controls are the same.

**Table 28. Testing Audioprocessor (21)**

MSB							LSB	Function
D <sub>7</sub>	D <sub>6</sub>	D <sub>5</sub>	D <sub>4</sub>	D <sub>3</sub>	D <sub>2</sub>	D <sub>1</sub>	D <sub>0</sub>	
							0 1	Audioprocessor testmode off on
				0 0 0 0 1 1 1 1	0 0 1 1 0 0 1 1	0 1 0 1 0 0 1 1		Test-multiplexer Compander log amp. output Compander low pass output Compander DAC output 200kHz oscillator not allowed not allowed NB-hold internal reference
			0 1					Compander testmode off on
		0 1						Clock external internal
	0 1							AZ function off on
0 1								SC-clock Fast mode Normal mode

**Note:** This byte is used for testing or evaluation purposes only and must not set to other values than "11101110" in the application!

**Table 29. Stereo decoder (22)**

MSB							LSB	Function
D <sub>7</sub>	D <sub>6</sub>	D <sub>5</sub>	D <sub>4</sub>	D <sub>3</sub>	D <sub>2</sub>	D <sub>1</sub>	D <sub>0</sub>	
							0 1	STD unmuted STD muted
					0 0 1 1	0 1 0 1		IN-gain 11 dB IN-gain 8.5 dB IN-gain 6 dB IN-gain 3.5 dB
			0 1					Input AM pin Input MPX pin

**Table 29. Stereo decoder (22) (continued)**

MSB							LSB		Function
D <sub>7</sub>	D <sub>6</sub>	D <sub>5</sub>	D <sub>4</sub>	D <sub>3</sub>	D <sub>2</sub>	D <sub>1</sub>	D <sub>0</sub>		
			0 1					Forced MONO MONO/STEREO switch automatically	
		0 1						Pilot threshold HIGH Pilot threshold LOW	
0 0 1 1	0 1 0 1							De-emphasis 50µs (37.5µs <sup>1</sup> ) De-emphasis 62.5µs (46.9µs <sup>1</sup> ) De-emphasis 75µs (56.3µs <sup>1</sup> ) De-emphasis 100µs (75µs <sup>1</sup> )	

Note: If De-emphasis-Shift enabled (Subaddr.26/Bit7 = 0)

**Table 30. Noise blanker I (23)**

MSB							LSB		Function
D <sub>7</sub>	D <sub>6</sub>	D <sub>5</sub>	D <sub>4</sub>	D <sub>3</sub>	D <sub>2</sub>	D <sub>1</sub>	D <sub>0</sub>		
							0 1	Noise blanker off Noise blanker on	
				0 0 0 0 1 1 1 1	0 0 1 1 0 0 1 1	0 1 0 1 0 0 1 0		Low threshold 65mV Low threshold 60mV Low threshold 55mV Low threshold 50mV Low threshold 45mV Low threshold 40mV Low threshold 35mV Low threshold 30mV	
		0 0 1 1	0 1 0 1					Noise controlled threshold 320mV Noise controlled threshold 260mV Noise controlled threshold 200mV Noise controlled threshold 140mV	
0 0 1 1	0 1 0 1							Overdeviation adjust 2.8V Overdeviation adjust 2.0V Overdeviation adjust 1.2V Overdeviation detector OFF	

Table 31. Noiseblanker II (24)

MSB							LSB		Function
D <sub>7</sub>	D <sub>6</sub>	D <sub>5</sub>	D <sub>4</sub>	D <sub>3</sub>	D <sub>2</sub>	D <sub>1</sub>	D <sub>0</sub>		
							0	PEAK charge current low	
							1	high	
					0	0		Fieldstrength adjust 2.3V	
					0	1		1.8V	
					1	0		1.3V	
					1	1		OFF	
			0	0				Blank Time FM / AM 38µs / 1.2ms	
			0	1				25.5µs / 800µs	
			1	0				32µs / 1.0s	
			1	1				22µs / 640µs	
	0	0						Noise rectifier discharge resistor R = infinite	
	0	1						R <sub>DC</sub> = 56k	
	1	0						R <sub>DC</sub> = 33k	
	1	1						R <sub>DC</sub> = 18k	
0								Strong multipath influence on PEAK 18k off	
1								on (18k discharge if V <sub>MPout</sub> < 2.5V)	

Table 32. AM / FM noiseblanker (25)

MSB							LSB		Function
D <sub>7</sub>	D <sub>6</sub>	D <sub>5</sub>	D <sub>4</sub>	D <sub>3</sub>	D <sub>2</sub>	D <sub>1</sub>	D <sub>0</sub>		
							0	Stereo decoder mode FM	
							1	AM	
				0	0	0		AM rectifier gain 6dB	
				0	0	1		8dB	
				0	1	0		10dB	
				0	1	1		12dB	
				1	0	0		14dB	
				1	0	1		16dB	
				1	1	0		18dB	
				1	1	1		20dB	

**Table 32. AM / FM noiseblanker (25) (continued)**

MSB							LSB	Function
D <sub>7</sub>	D <sub>6</sub>	D <sub>5</sub>	D <sub>4</sub>	D <sub>3</sub>	D <sub>2</sub>	D <sub>1</sub>	D <sub>0</sub>	
		0	0					Rectifier cut off frequency
		0	1					14.0kHz
		1	0					18.5kHz
		1	1					28.0kHz
								56.0kHz
1	1							must be "1"

**Table 33. High cut (26)**

MSB							LSB	Function
D <sub>7</sub>	D <sub>6</sub>	D <sub>5</sub>	D <sub>4</sub>	D <sub>3</sub>	D <sub>2</sub>	D <sub>1</sub>	D <sub>0</sub>	
							0	High cut off
							1	on
					0	0		max. high cut
					0	1		2dB
					1	0		5dB
					1	1		7dB
								10dB
			0	0				VHCH to be at
			0	1				42% REF5V
			1	0				50% REF5V
			1	1				58% REF5V
								66% REF5V
	0	0						VHCL to be at
	0	1						16.7% VHCH
	1	0						22.2% VHCH
	1	1						27.8% VHCH
								33.3% VHCH
0								De-emphasis shift
1								On
								Off

**Table 34. Fieldstrength control (27)**

MSB							LSB		Function
D <sub>7</sub>	D <sub>6</sub>	D <sub>5</sub>	D <sub>4</sub>	D <sub>3</sub>	D <sub>2</sub>	D <sub>1</sub>	D <sub>0</sub>		
				0	0	0	0	VSBL to be at 20.0% REF5V	
				0	0	0	1	23.3% REF5V	
				0	0	1	0	26.6% REF5V	
				0	0	1	1	30.0% REF5V	
				0	1	0	0	33.3% REF5V	
				0	1	0	1	36.6% REF5V	
				0	1	1	0	40.0% REF5V	
				0	1	1	1	43.3% REF5V	
				1	0	0	0	46.6% REF5V	
				1	0	0	1	50.0% REF5V	
				1	0	1	0	53.3% REF5V	
				1	0	1	1	56.6% REF5V	
				1	1	0	0	60.0% REF5V	
				1	1	0	1	63.3% REF5V	
				1	1	1	0	66.6% REF5V	
				1	1	1	1	70.0% REF5V	
		0	0					Quality detector co-efficient a=0.7	
		0	1					a=0.85	
		1	0					a=1.0	
		1	1					a=1.15	
0	0							HCC level shift (only level through MPD) 0.0V	
0	1							500mV	
1	0							1.0 V	
1	1							1.5 V	

**Table 35. Multipath detector (28)**

MSB							LSB		Function
D <sub>7</sub>	D <sub>6</sub>	D <sub>5</sub>	D <sub>4</sub>	D <sub>3</sub>	D <sub>2</sub>	D <sub>1</sub>	D <sub>0</sub>		
							0	Fast Load on	
							1	off	
					0	0		Bandpass Gain 6dB	
					0	1		12dB	
					1	0		16dB	
					1	1		18dB	



**Table 35. Multipath detector (28) (continued)**

MSB							LSB	Function
D <sub>7</sub>	D <sub>6</sub>	D <sub>5</sub>	D <sub>4</sub>	D <sub>3</sub>	D <sub>2</sub>	D <sub>1</sub>	D <sub>0</sub>	
			0 0 1 1	0 1 0 1				Rectifier gain Gain = 7.6dB Gain = 4.6dB Gain = 0dB disabled
		0 1						Charge current at MP out 0.25µA 0.50µA
	0 1							Multipath on high cut decay time 2ms 10ms
0 1								Multipath influence on PEAK discharge off -1V/ms

**Table 36. Stereo decoder adjustment (29)**

MSB							LSB	Function
D <sub>7</sub>	D <sub>6</sub>	D <sub>5</sub>	D <sub>4</sub>	D <sub>3</sub>	D <sub>2</sub>	D <sub>1</sub>	D <sub>0</sub>	
0					0	0	0	Roll off compensation not allowed
0					0	0	1	7.2%
0					0	1	0	9.4%
:					:	:	:	:
0					1	0	0	13.7%
:					:	:	:	:
0					1	1	1	20.2%
1					0	0	0	not allowed
1					0	0	1	19.6%
1					0	1	0	21.5%
:					:	:	:	:
1					1	0	0	25.3%
:					:	:	:	:
1					1	1	1	31.0%
	0 0 0 : 1	0 0 0 : 1	0 0 1 : 1	0 1 0 : 1				LEVEL gain 0dB 0.4dB 0.8dB : 6dB

**Table 37. Stereo decoder configuration (30)**

MSB							LSB		Function
D <sub>7</sub>	D <sub>6</sub>	D <sub>5</sub>	D <sub>4</sub>	D <sub>3</sub>	D <sub>2</sub>	D <sub>1</sub>	D <sub>0</sub>		
							0 1	Multipath influence on high cut On Off	
						0 1		Multipath influence on stereo blend On Off	
					0 1	1 x	1 x	Level input over multipath detector <sup>1</sup> On Off	
				0 1				Dual MPX mode On Off	
1	1	1	1	1				must be "1"	

Note: Using the multipath time-constants for stereo bland and high cut

**Table 38. Testing stereo decoder (31)**

MSB							LS B		Function
D <sub>7</sub>	D <sub>6</sub>	D <sub>5</sub>	D <sub>4</sub>	D <sub>3</sub>	D <sub>2</sub>	D <sub>1</sub>	D <sub>0</sub>		
							0 1	Main testmode off on	
						0 1		stereo decoder testmode off on	

Table 38. Testing stereo decoder (31) (continued)

MSB							LS B	Function
D <sub>7</sub>	D <sub>6</sub>	D <sub>5</sub>	D <sub>4</sub>	D <sub>3</sub>	D <sub>2</sub>	D <sub>1</sub>	D <sub>0</sub>	
		0	0	0	0			Test signals
		0	0	0	1			F228
		0	0	1	0			NB threshold
		0	0	1	1			Level for stereo blend
		0	1	0	0			Pilot magnitude
		0	1	0	1			VHCCL
		0	1	1	0			Pilot threshold
		0	1	1	1			VHCCH
		1	0	0	0			REF5V
		1	0	0	1			HOLDN
		1	0	1	0			NB peak
		1	0	1	1			AM rectifier
		1	1	0	0			VCOCON; VCO control voltage
		1	1	0	1			VSBL
		1	1	1	0			Pilot threshold
		1	1	1	1			Level for high cut
		1	1	1	1			REF5V
	0							Audioprocessor oscillator
	1							Off
								On
1								must be "1"

*Note:* This byte is used for testing or evaluation purposes only and must not set to other values than "11111100" in the application!

# 10 Application information

Figure 37. Application diagram (standard configuration)

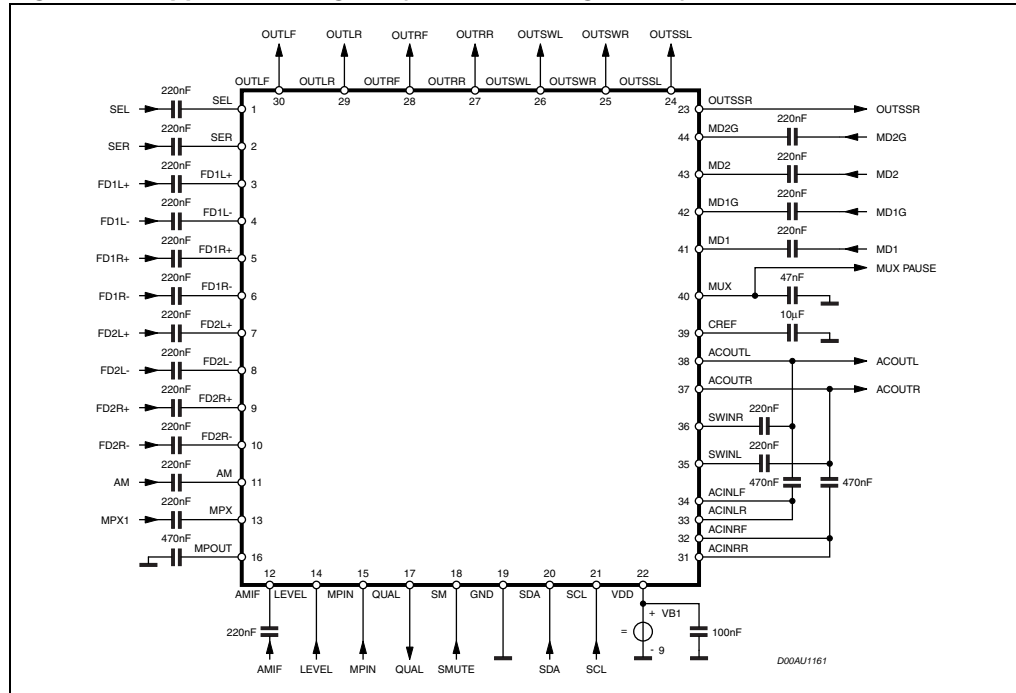
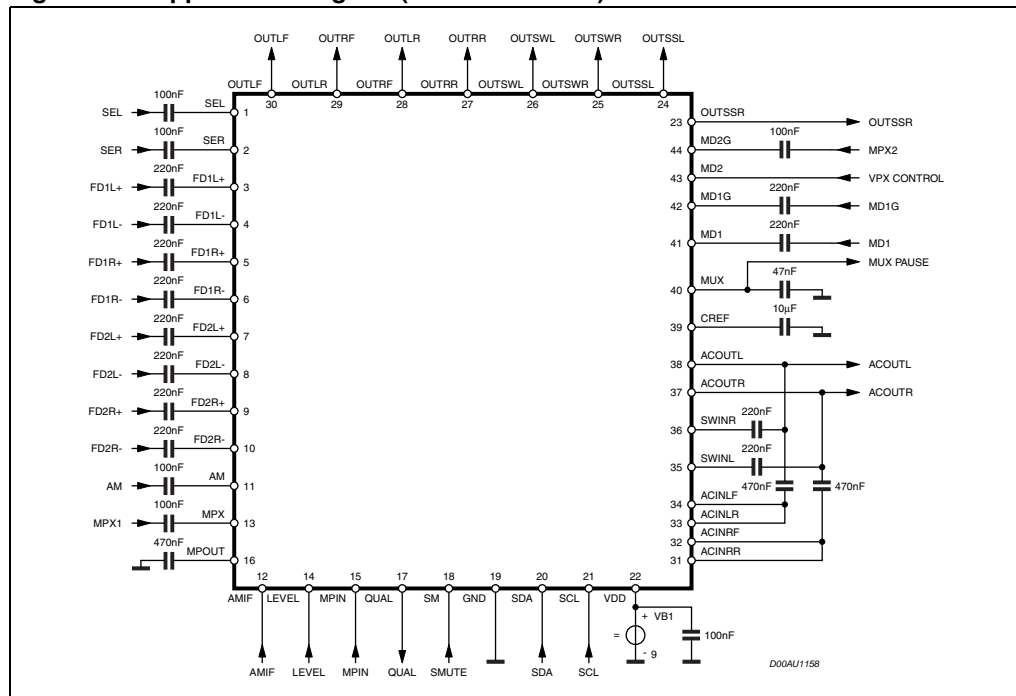


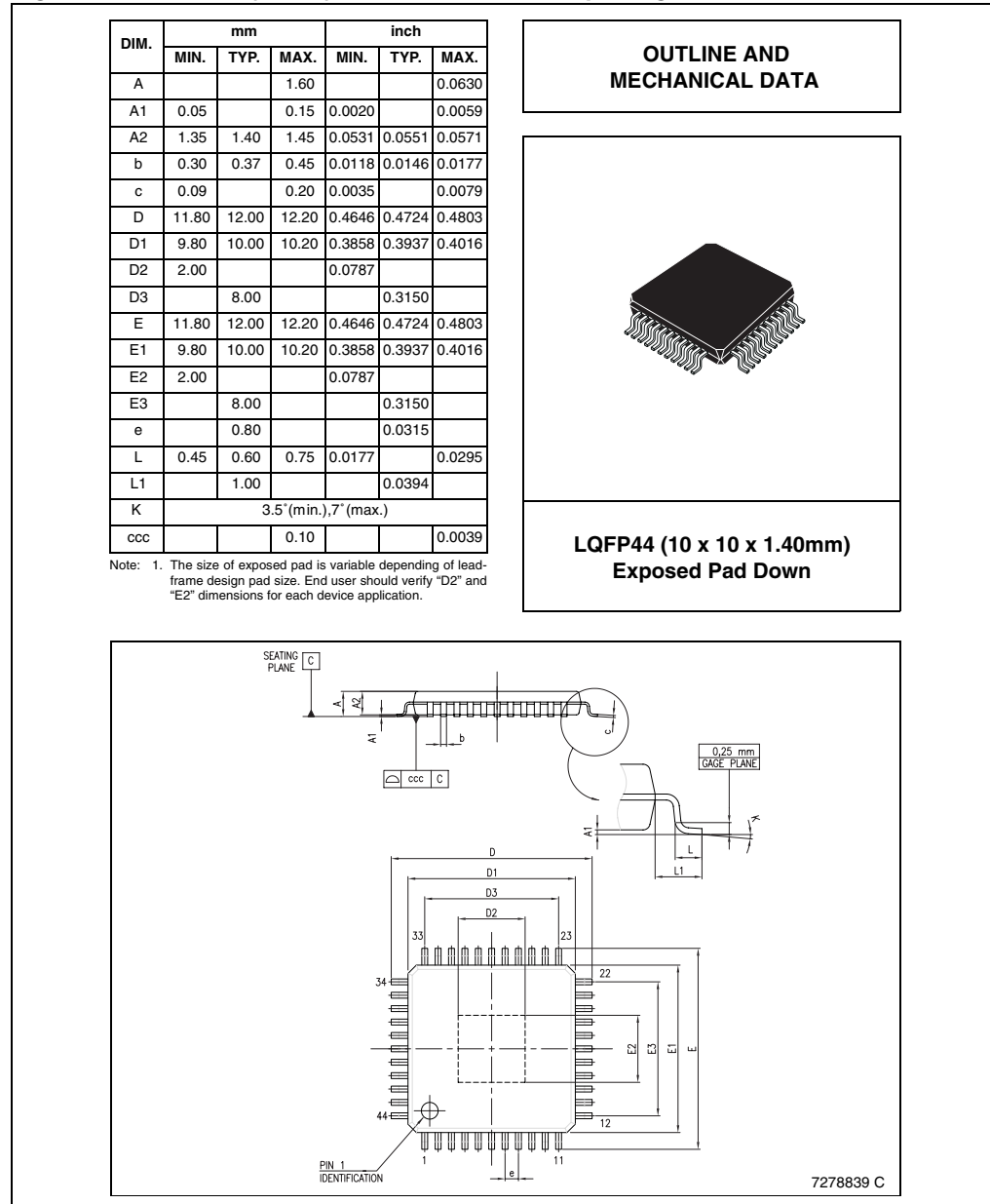
Figure 38. Application diagram (Dual MPX mode)



## 11 Package information

In order to meet environmental requirements, ST offers these devices in ECOPACK® packages. These packages have a lead-free second level interconnect. The category of second level interconnect is marked on the package and on the inner box label, in compliance with JEDEC standard JESD97. The maximum ratings related to soldering conditions are also marked on the inner box label. ECOPACK is an ST trademark. ECOPACK specifications are available at: [www.st.com](http://www.st.com).

**Figure 39. LQFP44 (10x10) Mechanical data and package dimensions**



## 12 Revision history

**Table 39. Document revision history**

<b>Date</b>	<b>Revision</b>	<b>Changes</b>
26-Apr-02	1	Initial release
21-Jun-04	2	Technical migration from ST-PRESS to EDOCS
26-Apr-04	3	Revalidation
26-Apr-06	4	Repair document of typographical errors
23-Mar-07	5	Package change, layout change, text modifications.

**Please Read Carefully:**

Information in this document is provided solely in connection with ST products. STMicroelectronics NV and its subsidiaries ("ST") reserve the right to make changes, corrections, modifications or improvements, to this document, and the products and services described herein at any time, without notice.

All ST products are sold pursuant to ST's terms and conditions of sale.

Purchasers are solely responsible for the choice, selection and use of the ST products and services described herein, and ST assumes no liability whatsoever relating to the choice, selection or use of the ST products and services described herein.

No license, express or implied, by estoppel or otherwise, to any intellectual property rights is granted under this document. If any part of this document refers to any third party products or services it shall not be deemed a license grant by ST for the use of such third party products or services, or any intellectual property contained therein or considered as a warranty covering the use in any manner whatsoever of such third party products or services or any intellectual property contained therein.

**UNLESS OTHERWISE SET FORTH IN ST'S TERMS AND CONDITIONS OF SALE ST DISCLAIMS ANY EXPRESS OR IMPLIED WARRANTY WITH RESPECT TO THE USE AND/OR SALE OF ST PRODUCTS INCLUDING WITHOUT LIMITATION IMPLIED WARRANTIES OF MERCHANTABILITY, FITNESS FOR A PARTICULAR PURPOSE (AND THEIR EQUIVALENTS UNDER THE LAWS OF ANY JURISDICTION), OR INFRINGEMENT OF ANY PATENT, COPYRIGHT OR OTHER INTELLECTUAL PROPERTY RIGHT.**

**UNLESS EXPRESSLY APPROVED IN WRITING BY AN AUTHORIZED ST REPRESENTATIVE, ST PRODUCTS ARE NOT RECOMMENDED, AUTHORIZED OR WARRANTED FOR USE IN MILITARY, AIR CRAFT, SPACE, LIFE SAVING, OR LIFE SUSTAINING APPLICATIONS, NOR IN PRODUCTS OR SYSTEMS WHERE FAILURE OR MALFUNCTION MAY RESULT IN PERSONAL INJURY, DEATH, OR SEVERE PROPERTY OR ENVIRONMENTAL DAMAGE. ST PRODUCTS WHICH ARE NOT SPECIFIED AS "AUTOMOTIVE GRADE" MAY ONLY BE USED IN AUTOMOTIVE APPLICATIONS AT USER'S OWN RISK.**

Resale of ST products with provisions different from the statements and/or technical features set forth in this document shall immediately void any warranty granted by ST for the ST product or service described herein and shall not create or extend in any manner whatsoever, any liability of ST.

ST and the ST logo are trademarks or registered trademarks of ST in various countries.

Information in this document supersedes and replaces all information previously supplied.

The ST logo is a registered trademark of STMicroelectronics. All other names are the property of their respective owners.

© 2007 STMicroelectronics - All rights reserved

STMicroelectronics group of companies

Australia - Belgium - Brazil - Canada - China - Czech Republic - Finland - France - Germany - Hong Kong - India - Israel - Italy - Japan - Malaysia - Malta - Morocco - Singapore - Spain - Sweden - Switzerland - United Kingdom - United States of America

[www.st.com](http://www.st.com)

