

SHIELDED SMD POWER INDUCTOR



P170703 SERIES

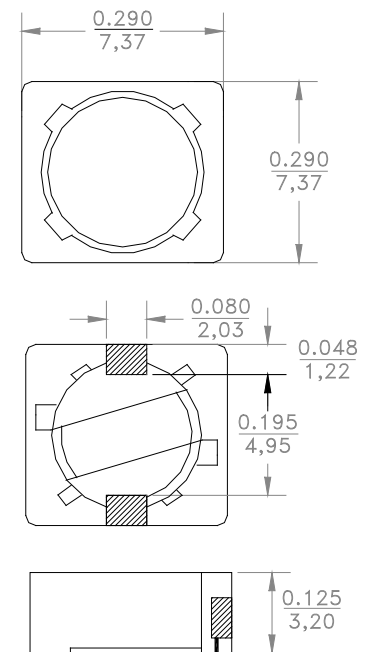


- RoHS Compliant Product
- Inductance measured : $< 100\mu\text{H}$: 100KHz, $0.25V_{\text{RMS}}$
- Inductance measured : $\geq 100\mu\text{H}$: 1KHz, $0.25V_{\text{RMS}}$
- Inductance Tolerance: K= $\pm 10\%$, L= $15\pm\%$, M= $\pm 20\%$
Add suffix letter for tolerance after the part number
- I_{RATED} : Max 10% inductance drop and $\Delta T=40^{\circ}\text{C}$ Temp Rise
- Operating Temperature: -40°C to $+85^{\circ}\text{C}$

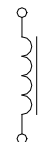
ELECTRICAL SPECIFICATION @ 25°C

PART NO	L $\pm 20\%$ (μH)	DCR Max (Ω)	RATED I_{DC} (A)
P170703-			
1R0	1.0	0.016	7.97
1R5	1.5	0.023	5.5
2R2	2.2	0.027	4.5
3R3	3.3	0.031	4.0
3R9	3.9	0.041	3.8
4R7	4.7	0.048	3.5
5R6	5.6	0.056	3.0
6R8	6.8	0.062	2.5
100	10	0.072	1.68
120	12	0.098	1.52
150	15	0.13	1.33
180	18	0.14	1.20
220	22	0.19	1.07
270	27	0.21	0.96
330	33	0.24	0.91
390	39	0.32	0.77
470	47	0.36	0.76
560	56	0.47	0.68
680	68	0.52	0.61
820	82	0.69	0.57
101	100	0.79	0.50
121	120	0.89	0.49
151	150	1.27	0.43
181	180	1.45	0.39
221	220	1.65	0.35
271	270	2.31	0.32
331	330	2.62	0.28
391	390	2.94	0.26
471	470	4.18	0.24
561	560	4.67	0.22
681	680	5.73	0.19
821	820	6.54	0.18
102	1000	9.44	0.16

Mechanical



Schematic



Dimensions

Unless otherwise specified, all tolerances are:
 inch: .XX : ± 0.015 .XXX : ± 0.010
 mm: X,X : $\pm 0,38$ X,XX : $\pm 0,25$

Product performance is limited to specified parameter. Data is subject to change without prior notice.

P170703-XX
0602JW

13200 Estrella Ave., Bldg. B
Gardena, CA 90248

Tel: (310) 325-1043
Fax: (310) 325-1044

www.mpsind.com
sales@mpsind.com