

2-CHANNEL ELECTRONIC VOLUME WITH INPUT SELECTOR AND TONE CONTROL

■ GENERAL DESCRIPTION

The NJW1194 is a 2-channel electronic volume with 4-in 1-out stereo audio selector and Tone Control. The NJW1194 performs low noise and low distortion characteristics with resistance ladder circuit.

All of functions are controlled via three-wired serial bus. Selectable 4-Chip address is available for using four chips on same serial bus line.

It's suitable for two-channel stereo system and or multi-channel audio system.

■ PACKAGE OUTLINE

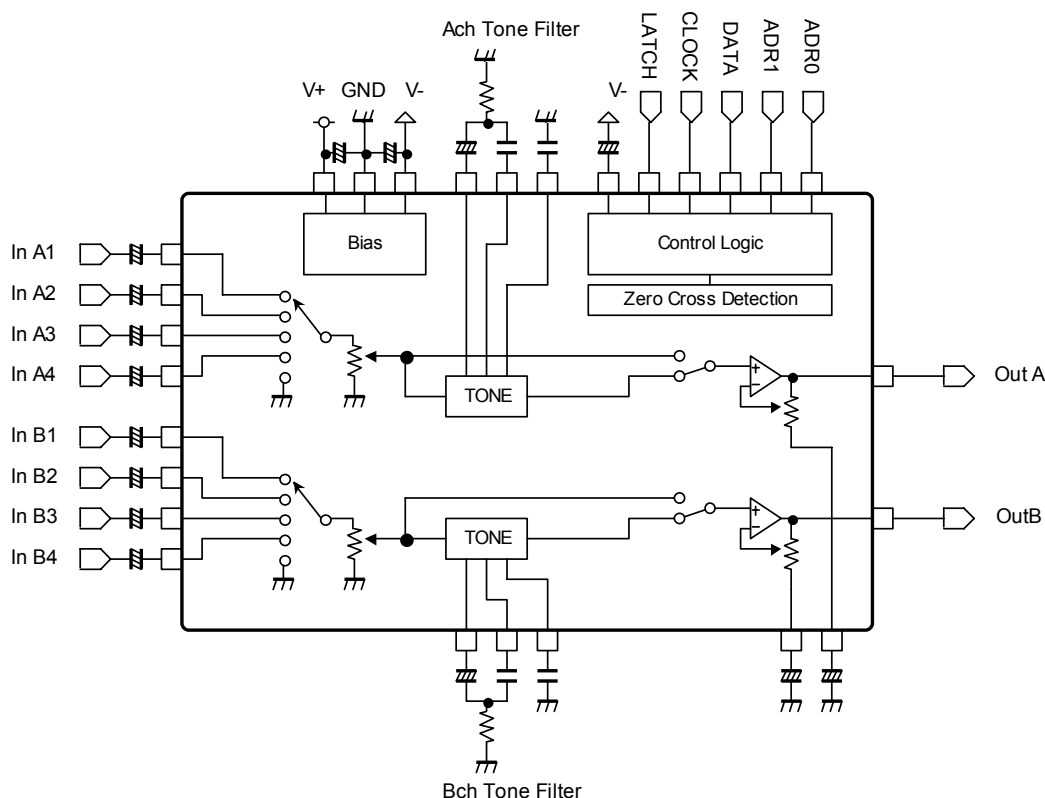


NJW1194V

■ FEATURES

- | | |
|--------------------------|------------------------------------|
| ● Operating Voltage | ±4.5 to ±7.5V |
| ● 3-Wired Serial Control | Chip Address Select Function |
| ● Low output noise | -117dBVtyp. |
| ● Low THD | 0.0015%typ. (Vin=2Vrms, VOL=0dB) |
| ● Input Selector(X4) | |
| ● Volume | +31.5 to -95.0dB / 0.5dBstep, MUTE |
| ● Tone Control | 0to ±10dB/1dBstep |
| ● Channel Separation | -120dBtyp. |
| ● Zero Cross Detection | |
| ● Bi-CMOS Technology | |
| ● Package Outline | SSOP32 |

■ BLOCK DIAGRAM



■ ABSOLUTE MAXIMUM RATING (Ta=25°C)

PARAMETER	SYMBOL	RATING	UNIT
Power Supply Voltage	V _{+/-}	+8/-8	V
Maximum Input Voltage	V _{IM}	V _{+/-}	V
Power Dissipation	P _D	1000 NOTE: EIA/JEDEC STANDARD Test board (76.2x114.3x1.6mm, 2layer, FR-4) mounting	mW
Operating Temperature Range	Topr	-40 ~ +85	°C
Storage Temperature Range	Tstg	-40 ~ +125	°C

■ ELECTRICAL CHARACTERISTICS (Ta=25°C, V⁺/V⁻=±7V, R_L=47kΩ, Volume=0dB, TONE=OFF, In:input, Out:output)

PARAMETER	SYMBOL	TEST CONDITION	MIN.	TYP.	MAX.	UNIT
◆ Power Supply						
Operating Voltage	V _{+/-}		±4.5	±7.0	±7.5	V
Supply Current 1	I _{CC}	No signal	-	12	17	mA
Supply Current 2	I _{EE}	No signal	-	12	17	mA
◆ Input/Output Characteristics (Output)						
Maximum Output Voltage	V _{OM}	f=1kHz, THD=1% VOL=0dB	3.6	4.2	-	Vrms
Voltage Gain1	G _{V1}	V _{IN} =2Vrms, f=1kHz VOL=0dB	-0.5	0	0.5	dB
Voltage Gain2	G _{V2}	V _{IN} =100mVrms, f=1kHz VOL=+15dB	+14	+15	+16	dB
Voltage Gain Error1	ΔG _{V1}	V _{IN} =2Vrms, f=1kHz VOL=0dB	-0.5	0	0.5	dB
Voltage Gain Error2	ΔG _{V2}	f=1kHz, V _{IN} =2Vrms VOL=-60dB	-1.0	0	1.0	dB
Maximum Attenuation	A _{TT}	f=1kHz, V _{IN} =2Vrms VOL=-95dB, A-weight	-	-95	-	dB
Mute Level	Mute	f=1kHz, V _{IN} =2Vrms VOL=Mute, A-weight	-	-120	-	dB
Cross Talk 1	CT1	f=1kHz, V _{IN} =2Vrms, A-weight VOL=0dB, R _g =0Ω	-	-120	-	dB
Cross Talk 2	CT2	f=20kHz, V _{IN} =2Vrms VOL=0dB, R _g =0Ω	-	-100	-	dB
Channel Separation 1	CS1	f=1kHz, V _{IN} =2Vrms, A-weight VOL=0dB, R _g =0Ω	-	-120	-90	dB
Channel Separation 2	CS2	f=20kHz, V _{IN} =2Vrms VOL=0dB, R _g =0Ω	-	-100	-	dB
Channel Separation 3	CS3	f=1kHz, V _{IN} =2Vrms, A-weight VOL=0dB, R _g =0Ω TONE=ON (Bass=Treble=0dB)	-	-110	-90	dB
Channel Separation 4	CS4	f=20kHz, V _{IN} =2Vrms VOL=0dB, R _g =0Ω TONE=ON (Bass=Treble=0dB)	-	-90	-	dB
Input Impedance	R _{IN}	Select Channel Input Terminal	15	20	-	kΩ

■ **ELECTRICAL CHARACTERISTICS** (Ta=25°C, V⁺/V⁻=±7V, RL=47kΩ, Volume=0dB, TONE=OFF, In:input,Out:output)

PARAMETER	SYMBOL	TEST CONDITION	MIN.	TYP.	MAX.	UNIT
◆ Input/Output Characteristics (Output)						
Output Noise1	V _{NO1}	VOL=0dB, Rg=0Ω, A-weight, TONE=ON (Bass=Treble=0dB)	-	-113 (2.2μ)	-100 (10μ)	dBV (Vrms)
Output Noise2	V _{NO2}	VOL=0dB, Rg=0Ω, A-weight, TONE=OFF	-	-117 (1.41μ)	-	dBV (Vrms)
Total Harmonic Distortion 1	THD1	f=1kHz, V _{IN} =200mVrms, VOL=0dB, BW=400Hz-30kHz TONE=ON (Bass=Treble=0dB)	-	0.002	-	%
Total Harmonic Distortion 2	THD2	f=10kHz, V _{IN} =200mVrms, VOL=0dB, BW=400Hz-30kHz TONE=ON (Bass=Treble=0dB)	-	0.002	-	%
Total Harmonic Distortion 3	THD3	f=1kHz, V _{IN} =2Vrms, VOL=0dB, BW=400Hz-30kHz TONE=ON (Bass=Treble=0dB)	-	0.0015	-	%
Total Harmonic Distortion 4	THD4	f=10kHz, V _{IN} =2Vrms, VOL=0dB, BW=400Hz-30kHz TONE=ON (Bass=Treble=0dB)	-	0.005	-	%
Total Harmonic Distortion 5	THD5	f=1kHz, V _{IN} =200mVrms, VOL=+15dB, BW=400Hz-30kHz TONE=ON (Bass=Treble=0dB)	-	0.002	-	%
Total Harmonic Distortion 6	THD6	f=10kHz, V _{IN} =200mVrms, VOL=+15dB, BW=400Hz-30kHz TONE=ON (Bass=Treble=0dB)	-	0.002	-	%
Total Harmonic Distortion 7	THD7	f=1kHz, V _{IN} =2Vrms, VOL=-18dB, BW=400Hz-30kHz TONE=ON (Bass=Treble=0dB)	-	0.002	0.02	%
Total Harmonic Distortion 8	THD8	f=10kHz, V _{IN} =2Vrms, VOL=-18dB, BW=400Hz-30kHz TONE=ON (Bass=Treble=0dB)	-	0.002	-	%

■ **ELECTRICAL CHARACTERISTICS** (Ta=25°C, V⁺/V⁻=±7V, RL=47kΩ, Volume=0dB, TONE=OFF, In:input,Out:output)

PARAMETER	SYMBOL	TEST CONDITION	MIN.	TYP.	MAX.	UNIT
◆Tone Control Characteristics						
Treble Voltage Gain 1	G _{VTREB1}	V _{IN} =100mVrms, f=10kHz VOL=0dB, TONE=ON, Treble=0dB	-2.0	0	2.0	dB
Treble Voltage Gain 2	G _{VTREB2}	V _{IN} =100mVrms, f=10kHz VOL=0dB, TONE=ON, Treble=+10dB	8.0	10.0	12.0	dB
Treble Voltage Gain 3	G _{VTREB3}	V _{IN} =100mVrms, f=10kHz VOL=0dB, TONE=ON, Treble=-10dB	-12.0	-10.0	-8.0	dB
Bass Voltage Gain 1	G _{VBASS1}	V _{IN} =100mVrms, f=100Hz VOL=0dB, TONE=ON, Bass=0dB	-2.0	0	2.0	dB
Bass Voltage Gain 2	G _{VBASS2}	V _{IN} =100mVrms, f=100Hz VOL=0dB, TONE=ON, Bass=+10dB	8.0	10.0	12.0	dB
Bass Voltage Gain 3	G _{VBASS3}	V _{IN} =100mVrms, f=100Hz VOL=0dB, TONE=ON, Bass=-10dB	-12.0	-10.0	-8.0	dB
◆Logic Control Characteristics						
High Level Input Voltage	V _{IH}	DATA, CLOCK, LATCH, ADR0, ADR1	2.5	-	V ⁺	V
Low Level Input Voltage	V _{IL}	DATA, CLOCK, LATCH, ADR0, ADR1	0	-	1.5	V

[CAUTION]
The specifications on this databook are only given for information, without any guarantee as regards either mistakes or omissions. The application circuits in this databook are described only to show representative usages of the product and not intended for the guarantee or permission of any right including the industrial rights.