

# DATA SHEET

For a complete data sheet, please also download:

- The IC04 LOCMOS HE4000B Logic Family Specifications HEF, HEC
- The IC04 LOCMOS HE4000B Logic Package Outlines/Information HEF, HEC

## **HEF40374B**

### **MSI**

## Octal D-type flip-flop with 3-state outputs

Product specification  
File under Integrated Circuits, IC04

January 1995

## Octal D-type flip-flop with 3-state outputs

HEF40374B  
MSI

## DESCRIPTION

The HEF40374B is an octal D-type flip-flop with 3-state buffered outputs with a common clock input (CP). The device is used primarily as an 8-bit positive edge-triggered storage register for interfacing with a 3-state bus. Data on the D-inputs is transferred to storage during the LOW-to-HIGH transition of the clock (CP) input. The 3-state output buffers are controlled by an active LOW output enable input ( $\overline{EO}$ ). A HIGH on  $\overline{EO}$  forces the eight outputs to a high impedance OFF-state. When  $\overline{EO}$  is LOW, the data in the register appears at the outputs.

The output stages have high current output capability suitable for driving highly capacitive loads. The device features hysteresis on the CP input to improve noise rejection. Schmitt-trigger action in the E input makes the circuit highly tolerant to slower input rise and fall times.

The HEF40374B is pin and functionally compatible with the TTL '374' device.

Supply voltage range: 3 to 15 V.

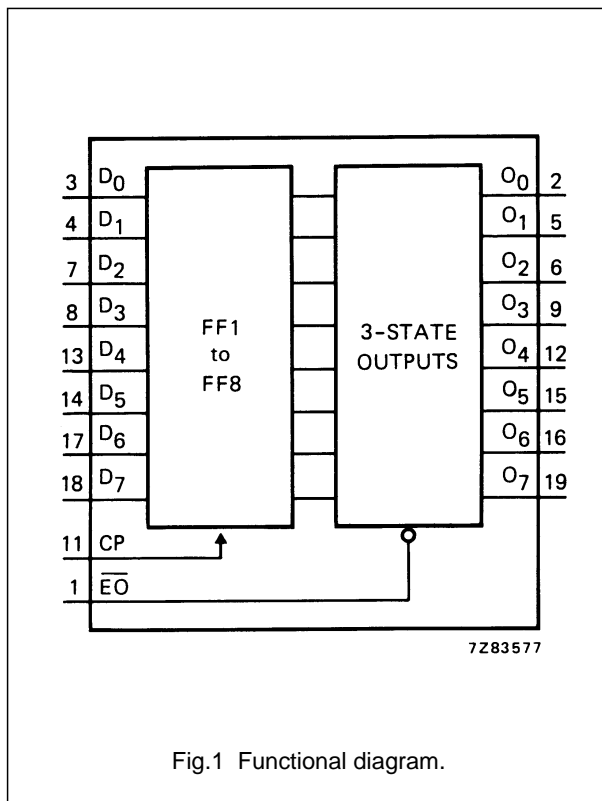


Fig.1 Functional diagram.

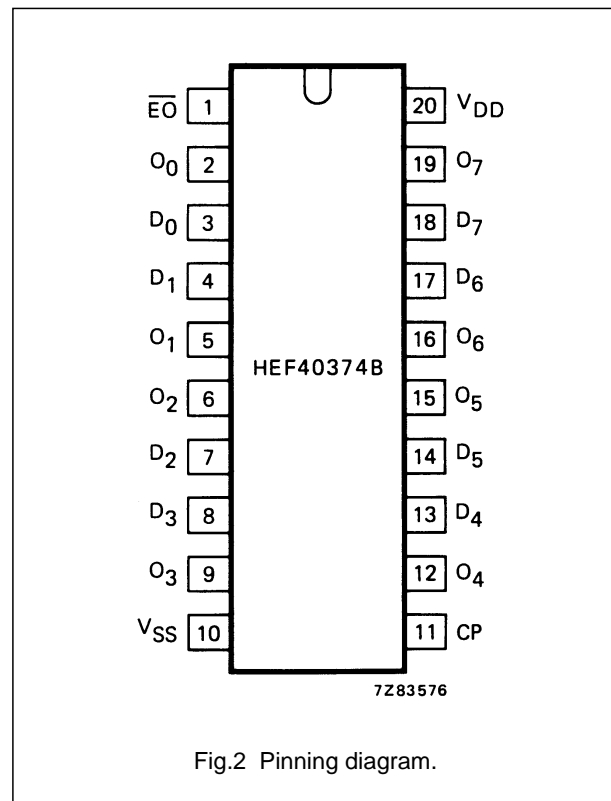


Fig.2 Pinning diagram.

HEF40374BP(N): 20-lead DIL; plastic (SOT146-1)

HEF40374BD(F): 20-lead DIL; ceramic (cerdip) (SOT152)

HEF40374BT(D): 20-lead SO; plastic (SOT163-1)

( ): Package Designator North America

## PINNING

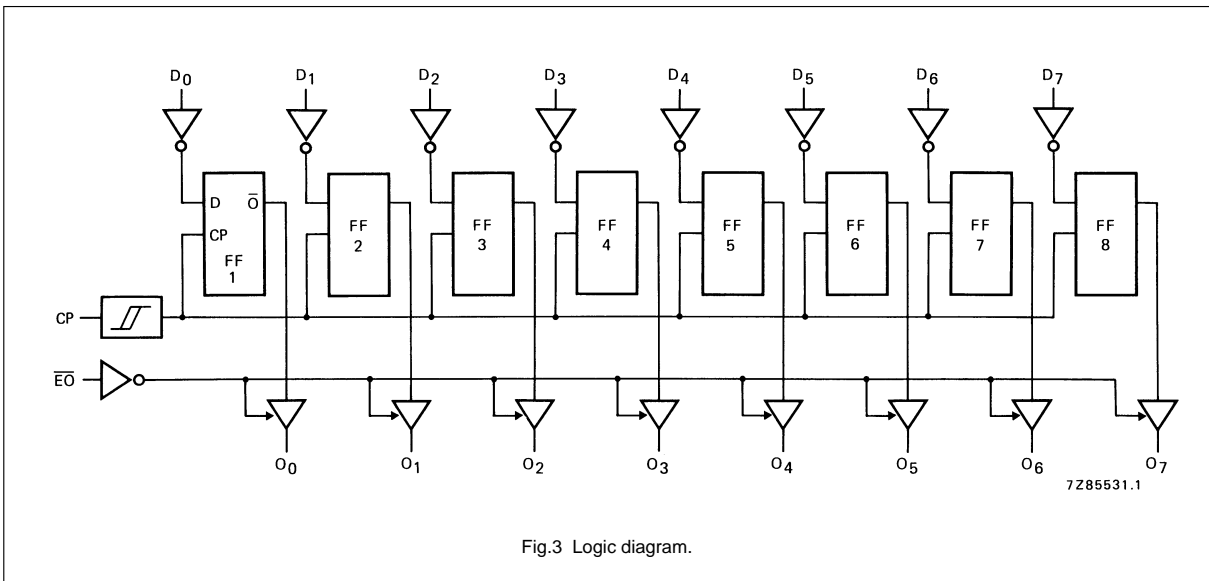
D<sub>0</sub> to D<sub>7</sub> data inputs  
 CP clock input  
 $\overline{EO}$  output enable input (active LOW)  
 O<sub>0</sub> to O<sub>7</sub> 3-state buffered outputs

FAMILY DATA, I<sub>DD</sub> LIMITS category MSI

See Family Specifications

Octal D-type flip-flop with 3-state outputs



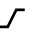

HEF40374B  
MSI




## Octal D-type flip-flop with 3-state outputs

HEF40374B  
MSI

## FUNCTION TABLE

OPERATING MODES	INPUTS			INTERNAL REGISTER	OUTPUTS O <sub>0</sub> TO O <sub>7</sub>
	$\overline{EO}$	CP	D <sub>n</sub>		
load & read register	L		l	L	L
	L		h	H	H
load register & disable outputs	H		l	L	Z
	H		h	H	Z

## Notes

- H = HIGH state (the more positive voltage)  
 h = HIGH state (one set-up time prior to the LOW-to-HIGH clock transition)  
 L = LOW state (the less positive voltage)  
 l = LOW state (one set-up time prior to the LOW-to-HIGH clock transition)  
 Z = high impedance OFF-state  
 = LOW-to-HIGH clock transition

# Octal D-type flip-flop with 3-state outputs

HEF40374B  
MSI

## RATINGS

Limiting values in accordance with the Absolute Maximum System (IEC 134)

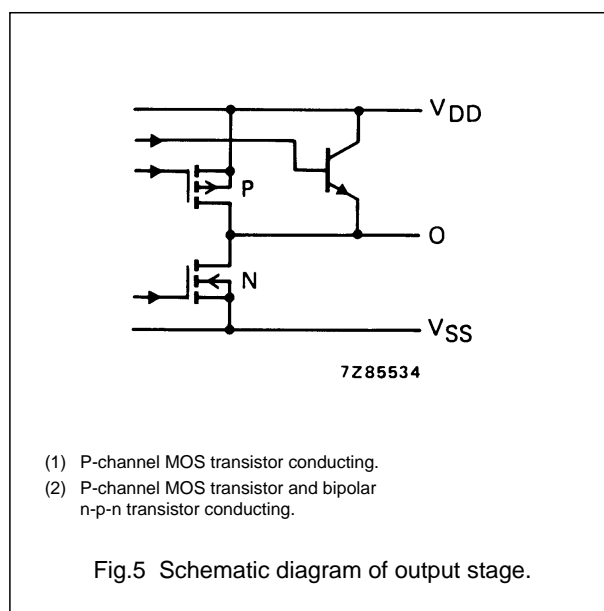
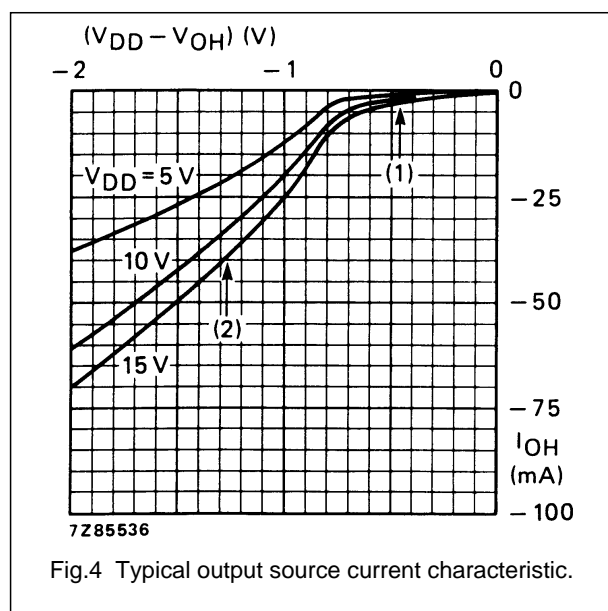
See Family Specifications, except for:

D.C. current into any input	$\pm I_I$	max.	10 mA
D.C. source or sink current into any output	$\pm I_O$	max.	25 mA
D.C. current into the supply terminals	$\pm I$	max.	100 mA

## DC CHARACTERISTICS

$V_{SS} = 0\text{ V}$

	$V_{DD}$ V	$V_{OH}$ V	$V_{OL}$ V	SYMBOL	$T_{amb}$ (°C)					
					-40		+25		+85	
					MIN.	TYP.	MIN.	TYP.	MIN.	TYP.
Output current HIGH	5	4,6		$-I_{OH}$	0,75	0,6	1,2	0,45	mA	
	10	9,5			1,85	1,5	3,0	1,1	mA	
	15	13,5			14,5	15	50	15,5	mA	
Output current HIGH	5	3,6		$-I_{OH}$	9,3	10	24	10,7	mA	
	10	8,4			14,4	15	46	15,0	mA	
	15	13,2			19,5	20	62	19,8	mA	
Output current LOW	5		0,4	$I_{OL}$	2,9	2,3	5,4	1,75	mA	
	10		0,5		9,5	7,6	17	5,50	mA	
	15		1,5		30,0	25	45	19,0	mA	
Hysteresis voltage at clock input (CP)	5			$V_H$			220		mV	
	10						250		mV	
	15						320		mV	



## Octal D-type flip-flop with 3-state outputs

HEF40374B  
MSI**AC CHARACTERISTICS** $V_{SS} = 0\text{ V}$ ;  $T_{amb} = 25\text{ °C}$ ;  $C_L = 50\text{ pF}$ ; input transition times  $\leq 20\text{ ns}$ 

	$V_{DD}$ V	SYMBOL	MIN.	TYP.	MAX.	TYPICAL EXTRAPOLATION FORMULA	
Propagation delays							
CP $\rightarrow$ $O_n$	5			125	250	ns	113 ns + (0,24 ns/pF) $C_L$
HIGH to LOW	10	$t_{PHL}$		55	110	ns	54 ns + (0,01 ns/pF) $C_L$
	15			40	80	ns	36 ns + (0,07 ns/pF) $C_L$
CP $\rightarrow$ $O_n$	5			125	250	ns	122 ns + (0,06 ns/pF) $C_L$
LOW to HIGH	10	$t_{PLH}$		55	110	ns	53 ns + (0,03 ns/pF) $C_L$
	15			40	80	ns	39 ns + (0,02 ns/pF) $C_L$
Output transition times	5			40	80	ns	see Fig.6
HIGH to LOW	10	$t_{THL}$		20	40	ns	
	15			15	30	ns	
LOW to HIGH	5			30	60	ns	
	10	$t_{TLH}$		20	40	ns	
	15			15	30	ns	
3-state propagation delays							
Output disable times							
$\overline{EO} \rightarrow O_n$	5			60	120	ns	
HIGH	10	$t_{PHZ}$		30	60	ns	
	15			24	48	ns	
LOW	5			70	140	ns	
	10	$t_{PLZ}$		35	70	ns	
	15			30	60	ns	
Output enable times							
$\overline{EO} \rightarrow O_n$	5			65	130	ns	
HIGH	10	$t_{PZH}$		30	60	ns	
	15			24	48	ns	
LOW	5			85	170	ns	
	10	$t_{PZL}$		35	70	ns	
	15			25	50	ns	
Set-up time	5		20	0		ns	
$D_n \rightarrow$ CP	10	$t_{su}$	20	2		ns	
	15		20	5		ns	
Hold time	5		20	10		ns	
$D_n \rightarrow$ CP	10	$t_{hold}$	15	2		ns	
	15		10	0		ns	

Octal D-type flip-flop with 3-state outputs

HEF40374B  
MSI

	V <sub>DD</sub> V	SYMBOL	MIN.	TYP.	MAX.	TYPICAL EXTRAPOLATION FORMULA
Minimum clock pulse width; LOW	5	t <sub>WCPL</sub>	50	25	ns	
	10		25	12	ns	
	15		20	10	ns	
Maximum clock pulse frequency	5	f <sub>max</sub>	25	5	MHz	
	10		6	12	MHz	
	15		8	17	MHz	

AC CHARACTERISTICS

V<sub>SS</sub> = 0 V; T<sub>amb</sub> = 25 °C; input transition times ≤ 20 ns

	V <sub>DD</sub> V	TYPICAL FORMULA FOR P (μW)	
Dynamic power dissipation per package (P)	5	3 775 f <sub>i</sub> + ∑ (f <sub>o</sub> C <sub>L</sub> ) × V <sub>DD</sub> <sup>2</sup>	where f <sub>i</sub> = input freq. (MHz) f <sub>o</sub> = output freq. (MHz) C <sub>L</sub> = load capacitance (pF) ∑ (f <sub>o</sub> C <sub>L</sub> ) = sum of outputs V <sub>DD</sub> = supply voltage (V)
	10	15 700 f <sub>i</sub> + ∑ (f <sub>o</sub> C <sub>L</sub> ) × V <sub>DD</sub> <sup>2</sup>	
	15	40 575 f <sub>i</sub> + ∑ (f <sub>o</sub> C <sub>L</sub> ) × V <sub>DD</sub> <sup>2</sup>	

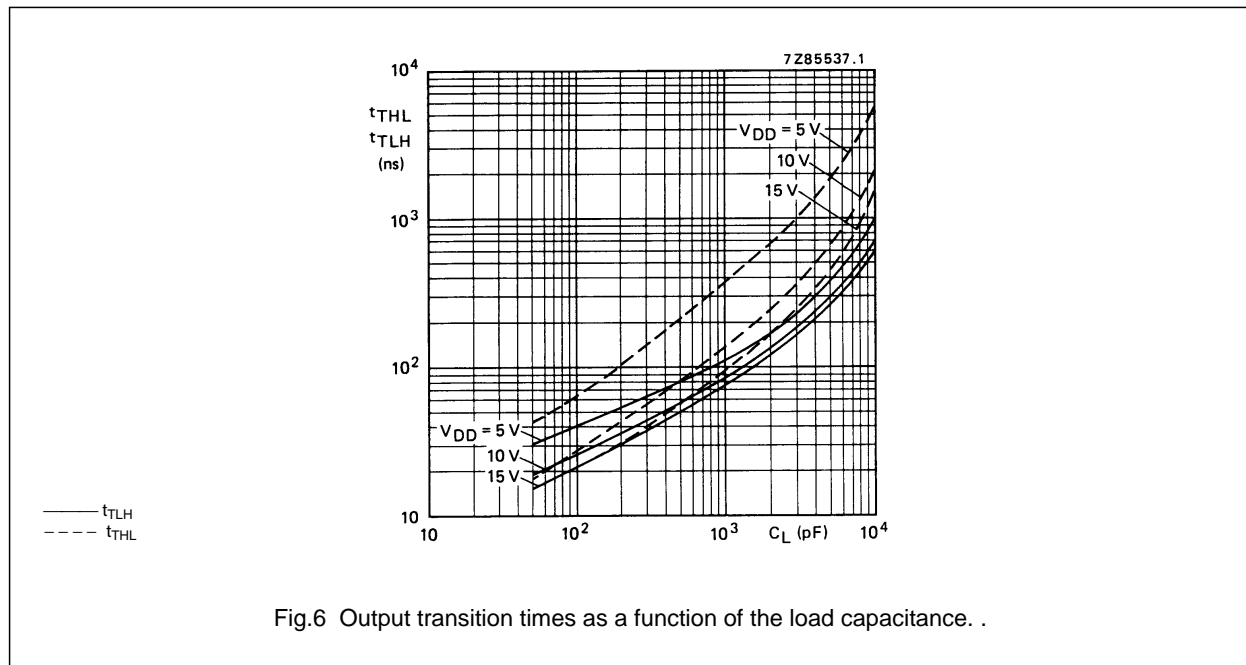


Fig.6 Output transition times as a function of the load capacitance. .