

DATA SHEET

For a complete data sheet, please also download:

- The IC04 LOCMOS HE4000B Logic Family Specifications HEF, HEC
- The IC04 LOCMOS HE4000B Logic Package Outlines/Information HEF, HEC

HEF4019B

MSI

Quadruple 2-input multiplexer

Product specification
File under Integrated Circuits, IC04

January 1995

Quadruple 2-input multiplexer

HEF4019B MSI

DESCRIPTION

The HEF4019B provides four multiplexing circuits with common select inputs (S_A , S_B); each circuit contains two inputs (A_n , B_n) and one output (O_n). It may be used to select four bits of information from one of two sources.

The A inputs are selected when S_A is HIGH, the B inputs when S_B is HIGH. When S_A and S_B are HIGH, output (O_n) is the logical OR of the A_n and B_n inputs ($O_n = A_n + B_n$). When S_A and S_B are LOW, output (O_n) is LOW independent of the multiplexer inputs.

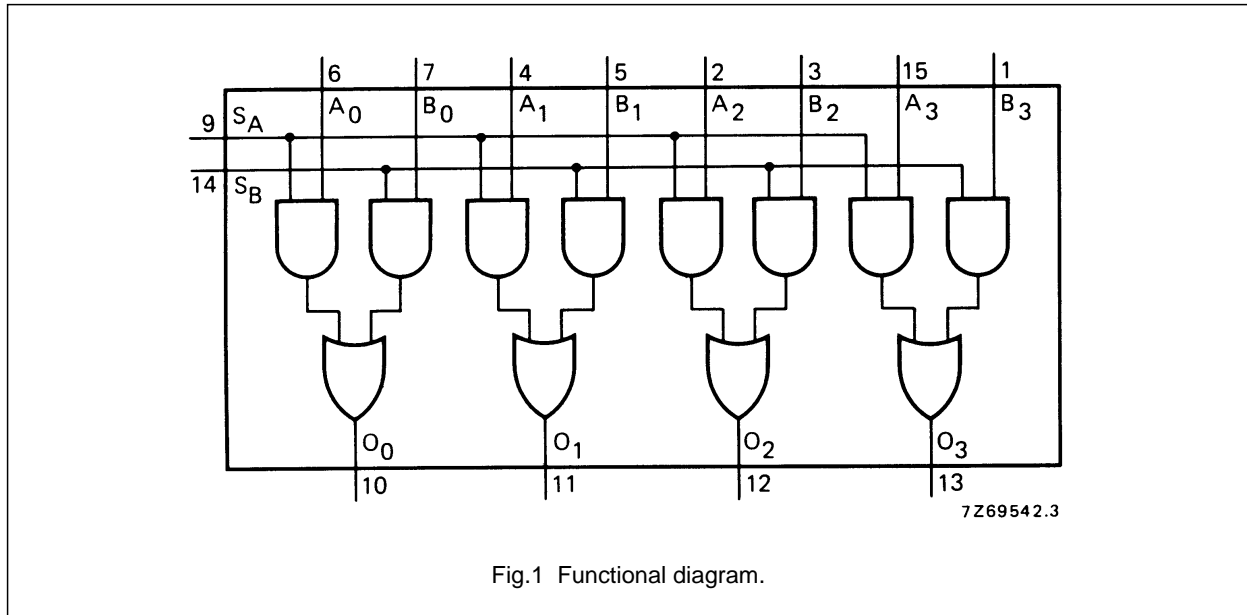


Fig.1 Functional diagram.

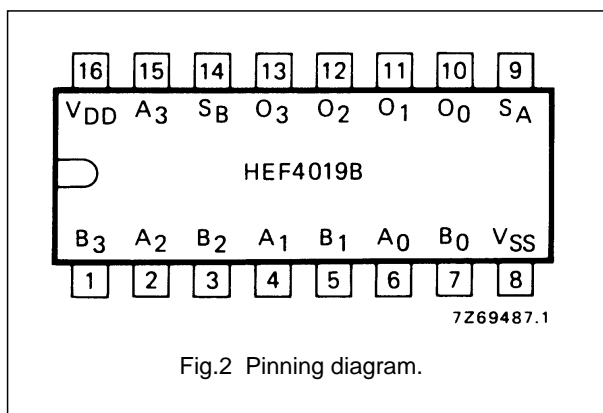


Fig.2 Pinning diagram.

- HEF4019BP(N): 16-lead DIL; plastic (SOT38-1)
 - HEF4019BD(F): 16-lead DIL; ceramic (cerdip) (SOT74)
 - HEF4019BT(D): 16-lead SO; plastic (SOT109-1)
- (): Package Designator North America

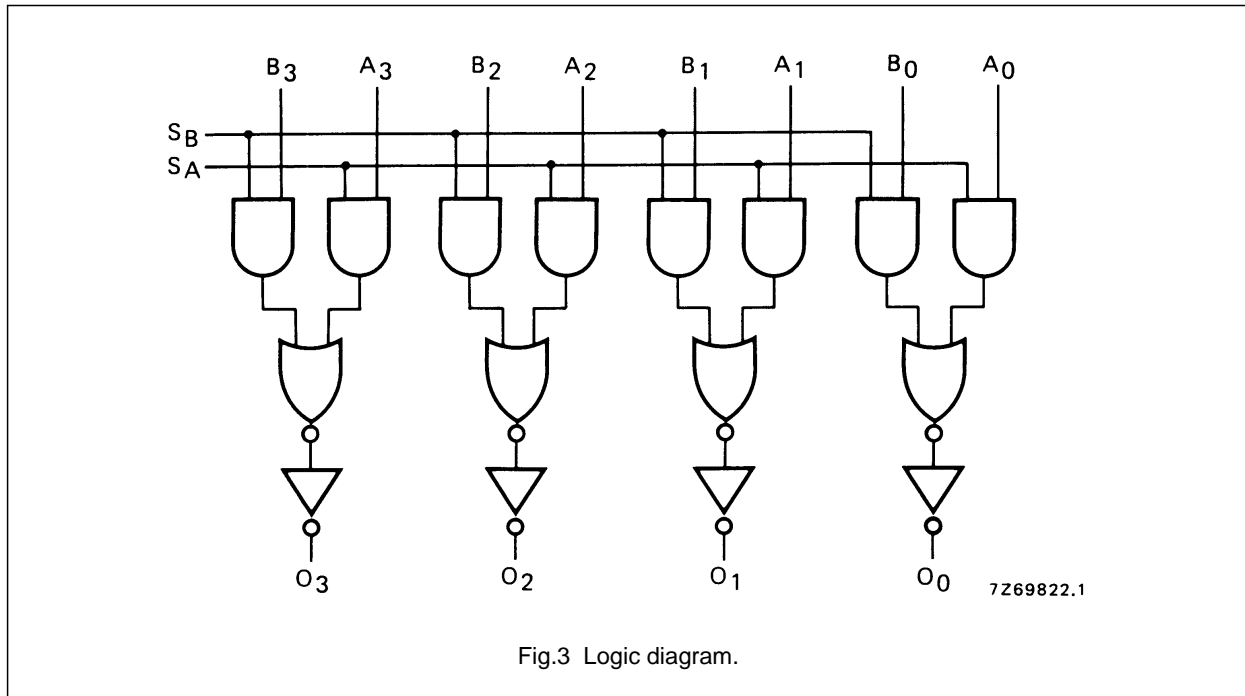
PINNING

- S_A , S_B select inputs (active HIGH)
- A_0 to A_3 multiplexer inputs
- B_0 to B_3 multiplexer inputs
- O_0 to O_3 multiplexer outputs

FAMILY DATA, I_{DD} LIMITS category MSI

See Family Specifications

Quadruple 2-input multiplexer

HEF4019B
MSI

TRUTH TABLE

SELECT		INPUTS		OUTPUT
S _A	S _B	A _n	B _n	O _n
L	L	X	X	L
H	L	L	X	L
H	L	H	X	H
L	H	X	L	L
L	H	X	H	H
H	H	H	X	H
H	H	X	H	H
H	H	L	L	L

Notes

- H = HIGH state (the more positive voltage)
L = LOW state (the less positive voltage)
X = state is immaterial

Quadruple 2-input multiplexer

HEF4019B MSI

AC CHARACTERISTICS

$V_{SS} = 0\text{ V}$; $T_{amb} = 25\text{ °C}$; $C_L = 50\text{ pF}$; input transition times $\leq 20\text{ ns}$

	V_{DD} V	SYMBOL	TYP.	MAX.		TYPICAL EXTRAPOLATION FORMULA	
Propagation delays $A_n, B_n, S_A, S_B \rightarrow O_n$ HIGH to LOW	5	t_{PHL}	70	145	ns	$43\text{ ns} + (0,55\text{ ns/pF}) C_L$	
	10		30	60	ns	$19\text{ ns} + (0,23\text{ ns/pF}) C_L$	
	15		25	50	ns	$17\text{ ns} + (0,16\text{ ns/pF}) C_L$	
	LOW to HIGH	5	t_{PLH}	60	130	ns	$33\text{ ns} + (0,55\text{ ns/pF}) C_L$
		10		25	50	ns	$14\text{ ns} + (0,23\text{ ns/pF}) C_L$
		15		15	35	ns	$7\text{ ns} + (0,16\text{ ns/pF}) C_L$
Output transition times HIGH to LOW	5	t_{THL}	60	120	ns	$10\text{ ns} + (1,0\text{ ns/pF}) C_L$	
	10		30	60	ns	$9\text{ ns} + (0,42\text{ ns/pF}) C_L$	
	15		20	40	ns	$6\text{ ns} + (0,28\text{ ns/pF}) C_L$	
	LOW to HIGH	5	t_{TLH}	60	120	ns	$10\text{ ns} + (1,0\text{ ns/pF}) C_L$
		10		30	60	ns	$9\text{ ns} + (0,42\text{ ns/pF}) C_L$
		15		20	40	ns	$6\text{ ns} + (0,28\text{ ns/pF}) C_L$

	V_{DD} V	TYPICAL FORMULA FOR P (μW)	
Dynamic power dissipation per package (P)	5	$1200 f_i + \sum (f_o C_L) \times V_{DD}^2$	where f_i = input freq. (MHz) f_o = output freq. (MHz) C_L = load capacitance (pF) $\sum (f_o C_L)$ = sum of outputs V_{DD} = supply voltage (V)
	10	$5100 f_i + \sum (f_o C_L) \times V_{DD}^2$	
	15	$18\,700 f_i + \sum (f_o C_L) \times V_{DD}^2$	

APPLICATION INFORMATION

An example of an application for the HEF4019B is:

- True/complement selection.