

# DATA SHEET

For a complete data sheet, please also download:

- The IC04 LOCMOS HE4000B Logic Family Specifications HEF, HEC
- The IC04 LOCMOS HE4000B Logic Package Outlines/Information HEF, HEC

## **HEF40163B**

### **MSI**

4-bit synchronous binary counter  
with synchronous reset

Product specification  
File under Integrated Circuits, IC04

January 1995

## 4-bit synchronous binary counter with synchronous reset

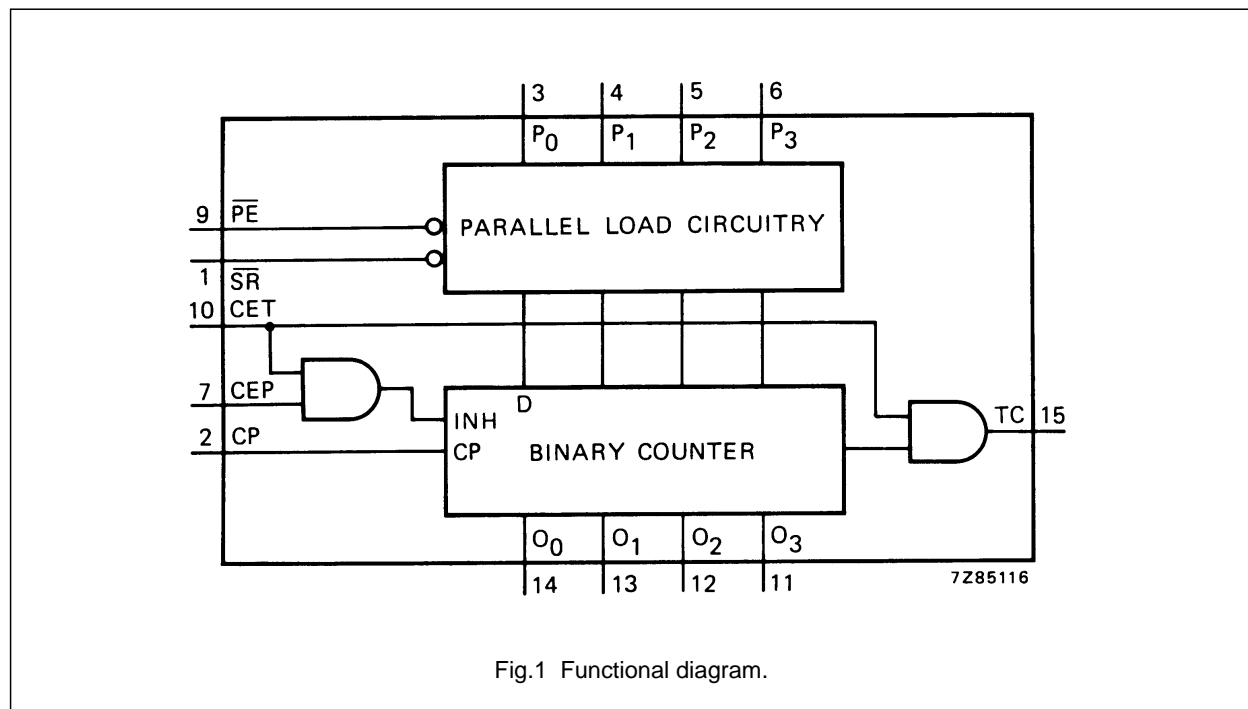
## HEF40163B MSI

### DESCRIPTION

The HEF40163B is a fully synchronous edge-triggered 4-bit binary counter with a clock input (CP), four synchronous parallel data inputs ( $P_0$  to  $P_3$ ), four synchronous mode control inputs (parallel enable ( $\overline{PE}$ ), count enable parallel (CEP), count enable trickle (CET) and synchronous reset ( $\overline{SR}$ )), buffered outputs from all four bit positions ( $O_0$  to  $O_3$ ) and a terminal count output (TC).

Operation is fully synchronous and occurs on the LOW to HIGH transition of CP. When  $\overline{PE}$  is LOW, the next LOW to HIGH transition of CP loads data into the counter from  $P_0$  to  $P_3$ . When  $\overline{PE}$  is HIGH, the next LOW to HIGH

transition of CP advances the counter to its next state only if both CEP and CET are HIGH; otherwise no change occurs in the state of the counter. TC is HIGH when the state of the counter is 15 ( $O_0$  to  $O_3 = \text{HIGH}$ ) and when CET is HIGH. A LOW on  $\overline{SR}$  sets all outputs ( $O_0$  to  $O_3$  and TC) LOW on the next LOW to HIGH transition of CP, independent of the state of all other synchronous mode control inputs (CEP, CET and  $\overline{PE}$ ). Multistage synchronous counting is possible without additional components by using a carry look-ahead counting technique; in this case, TC is used to enable successive cascaded stages. CEP, CET,  $\overline{PE}$  and  $\overline{SR}$  must be stable only during the set-up time before the LOW to HIGH transition of CP.



### FAMILY DATA, $I_{DD}$ LIMITS category MSI

See Family Specifications

4-bit synchronous binary counter with  
synchronous reset

HEF40163B  
MSI

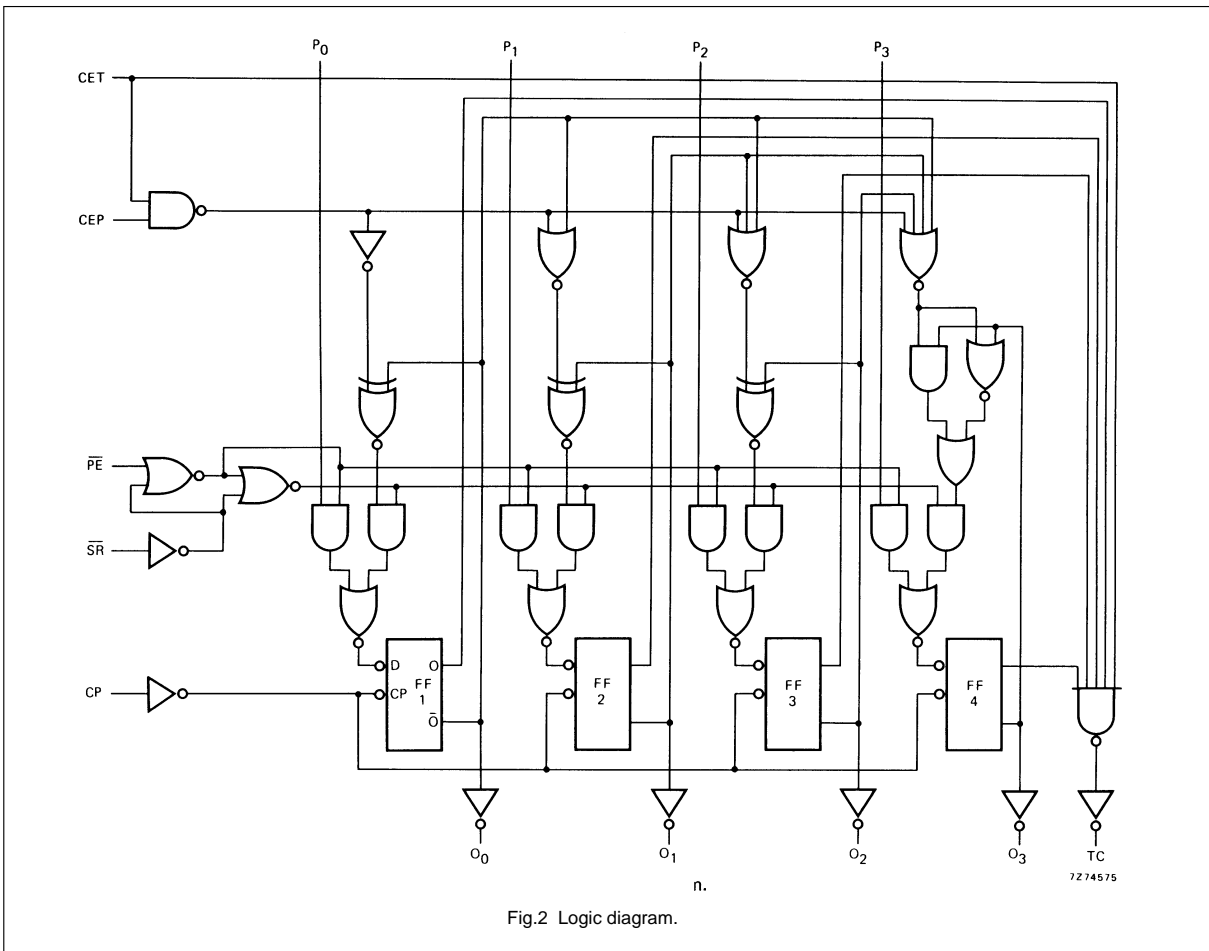
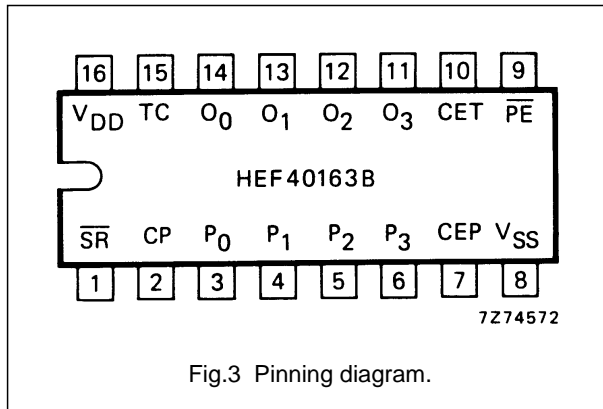


Fig.2 Logic diagram.

4-bit synchronous binary counter with synchronous reset

HEF40163B  
MSI



**PINNING**

- $\overline{PE}$  parallel enable input
- $P_0$  to  $P_3$  parallel data inputs
- CEP count enable parallel input
- CET count enable trickle input
- CP clock input (LOW to HIGH, edge-triggered)
- $\overline{SR}$  synchronous reset input (active LOW)
- $O_0$  to  $O_3$  parallel outputs
- TC terminal count output

- HEF40163BP(N): 16-lead DIL; plastic (SOT38-1)
- HEF40163BD(F): 16-lead DIL; ceramic (cerdip) (SOT74)
- HEF40163BT(D): 16-lead SO; plastic (SOT109-1)
- ( ): Package Designator North America

**SYNCHRONOUS MODE SELECTION**

$\overline{SR}$	$\overline{PE}$	CEP	CET	MODE
H	L	X	X	preset
H	H	L	X	no change
H	H	X	L	no change
H	H	H	H	count
L	X	X	X	reset

**Notes**

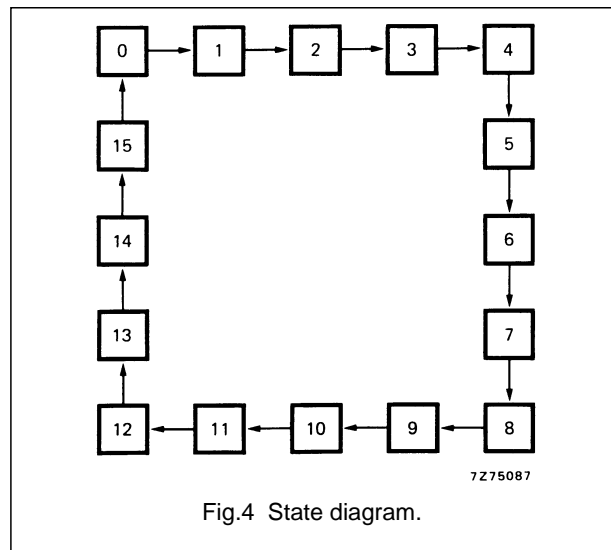
1. H = HIGH state (the more positive voltage)
2. L = LOW state (the less positive voltage)
3. X = state is immaterial

**TERMINAL COUNT GENERATION**

CET	$(O_0 \cdot O_1 \cdot O_2 \cdot O_3)$	TC
L	L	L
L	H	L
H	L	L
H	H	H

**Note**

1.  $TC = CET \cdot O_0 \cdot O_1 \cdot O_2 \cdot O_3$



## 4-bit synchronous binary counter with synchronous reset

## HEF40163B MSI

### AC CHARACTERISTICS

$V_{SS} = 0\text{ V}$ ;  $T_{amb} = 25\text{ °C}$ ; input transition times  $\leq 20\text{ ns}$

	$V_{DD}$ V	TYPICAL FORMULA FOR P ( $\mu\text{W}$ )	
Dynamic power dissipation per package (P)	5 10 15	$1\,200 f_i + \sum (f_o C_L) \times V_{DD}^2$ $5\,600 f_i + \sum (f_o C_L) \times V_{DD}^2$ $16\,000 f_i + \sum (f_o C_L) \times V_{DD}^2$	where $f_i$ = input freq. (MHz) $f_o$ = output freq. (MHz) $C_L$ = load capacitance (pF) $\sum (f_o C_L)$ = sum of outputs $V_{DD}$ = supply voltage (V)

### AC CHARACTERISTICS

$V_{SS} = 0\text{ V}$ ;  $T_{amb} = 25\text{ °C}$ ;  $C_L = 50\text{ pF}$ ; input transition times  $\leq 20\text{ ns}$

	$V_{DD}$ V	SYMBOL	MIN.	TYP.	MAX.	TYPICAL EXTRAPOLATION FORMULA	
Propagation delays CP $\rightarrow$ O <sub>n</sub> HIGH to LOW	5	$t_{PHL}$		110	220	ns	83 ns + (0,55 ns/pF) $C_L$
	10		45	90	ns	34 ns + (0,23 ns/pF) $C_L$	
	15		30	60	ns	22 ns + (0,16 ns/pF) $C_L$	
LOW to HIGH	5	$t_{PLH}$		115	230	ns	88 ns + (0,55 ns/pF) $C_L$
	10		45	95	ns	34 ns + (0,23 ns/pF) $C_L$	
	15		35	65	ns	27 ns + (0,16 ns/pF) $C_L$	
CP $\rightarrow$ TC HIGH to LOW	5	$t_{PHL}$		130	260	ns	103 ns + (0,55 ns/pF) $C_L$
	10		55	105	ns	44 ns + (0,23 ns/pF) $C_L$	
	15		35	75	ns	27 ns + (0,16 ns/pF) $C_L$	
LOW to HIGH	5	$t_{PLH}$		140	280	ns	113 ns + (0,55 ns/pF) $C_L$
	10		55	115	ns	44 ns + (0,23 ns/pF) $C_L$	
	15		40	80	ns	32 ns + (0,16 ns/pF) $C_L$	
GET $\rightarrow$ TC HIGH to LOW	5	$t_{PHL}$		105	210	ns	78 ns + (0,55 ns/pF) $C_L$
	10		50	100	ns	39 ns + (0,23 ns/pF) $C_L$	
	15		35	75	ns	27 ns + (0,16 ns/pF) $C_L$	
LOW to HIGH	5	$t_{PLH}$		90	185	ns	63 ns + (0,55 ns/pF) $C_L$
	10		35	70	ns	24 ns + (0,23 ns/pF) $C_L$	
	15		25	50	ns	17 ns + (0,16 ns/pF) $C_L$	
Output transition times HIGH to LOW	5	$t_{THL}$		60	120	ns	10 ns + (1,0 ns/pF) $C_L$
	10		30	60	ns	9 ns + (0,42 ns/pF) $C_L$	
	15		20	40	ns	6 ns + (0,28 ns/pF) $C_L$	
LOW to HIGH	5	$t_{TLH}$		60	120	ns	10 ns + (1,0 ns/pF) $C_L$
	10		30	60	ns	9 ns + (0,42 ns/pF) $C_L$	
	15		20	40	ns	6 ns + (0,28 ns/pF) $C_L$	

## 4-bit synchronous binary counter with synchronous reset

## HEF40163B MSI

### AC CHARACTERISTICS

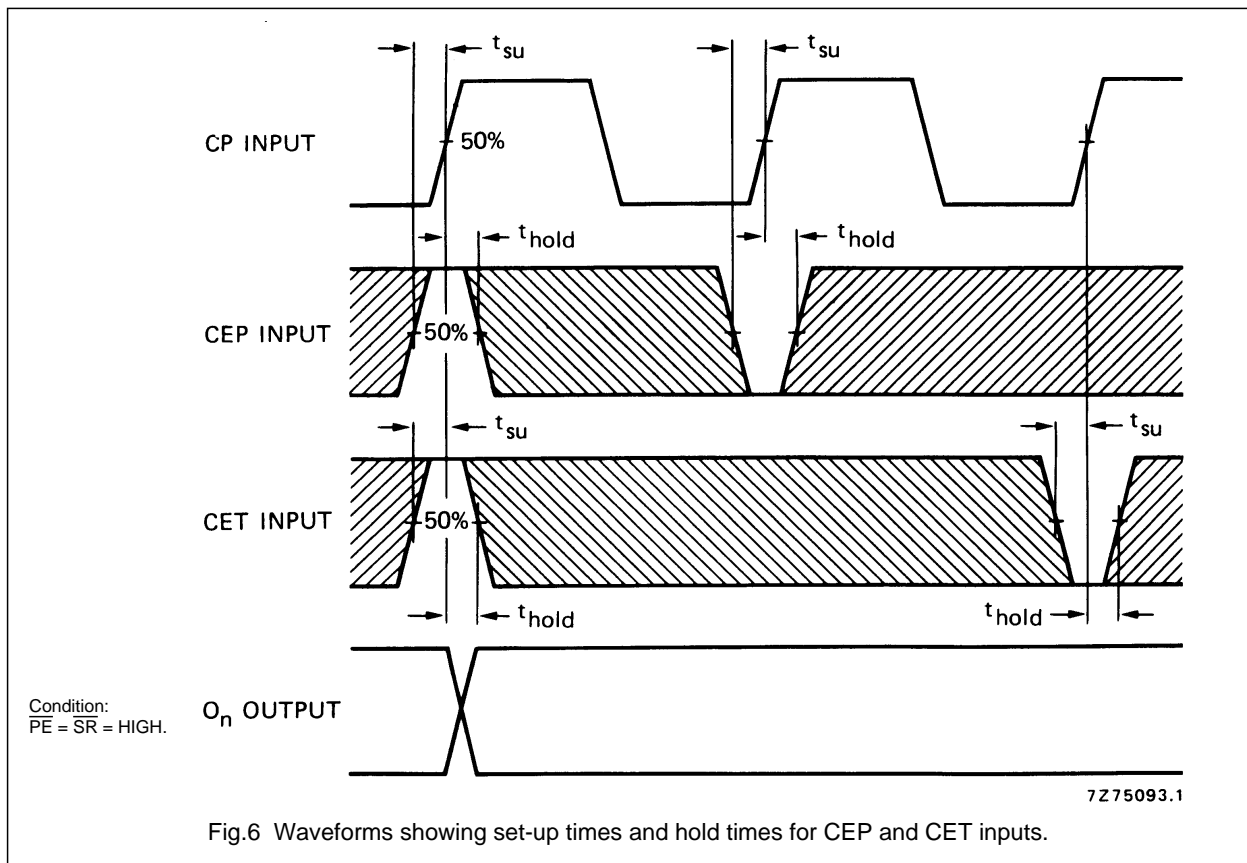
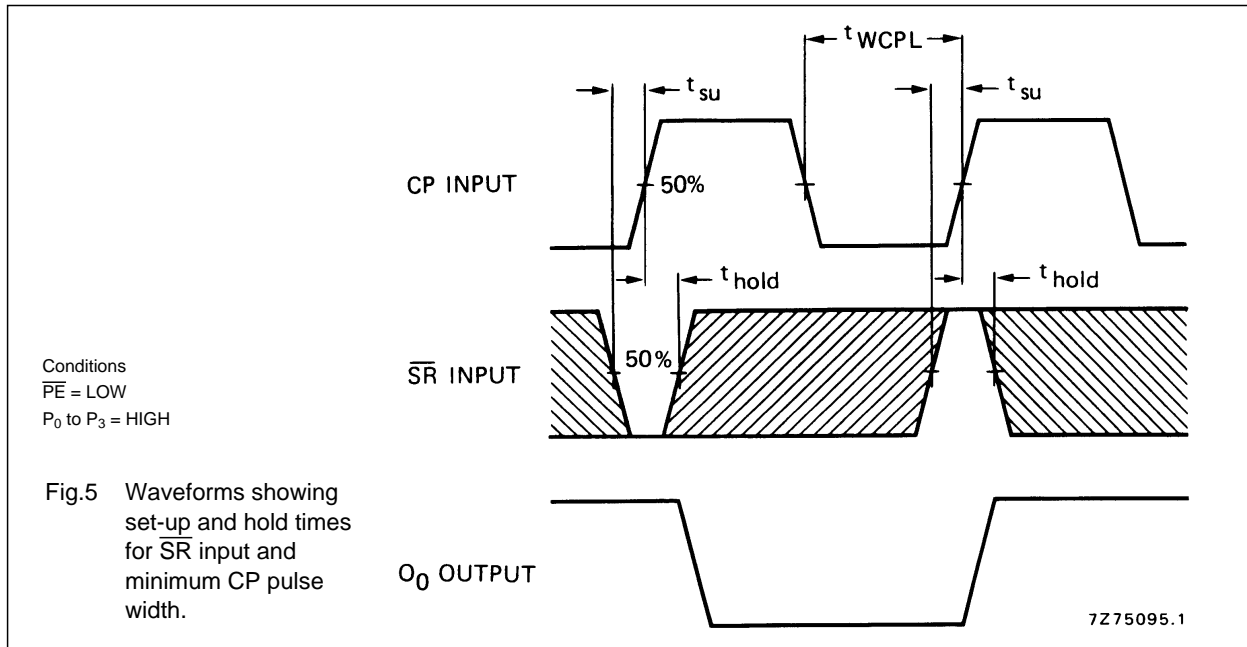
$V_{SS} = 0\text{ V}$ ;  $T_{amb} = 25\text{ °C}$ ;  $C_L = 50\text{ pF}$ ; input transition times  $\leq 20\text{ ns}$

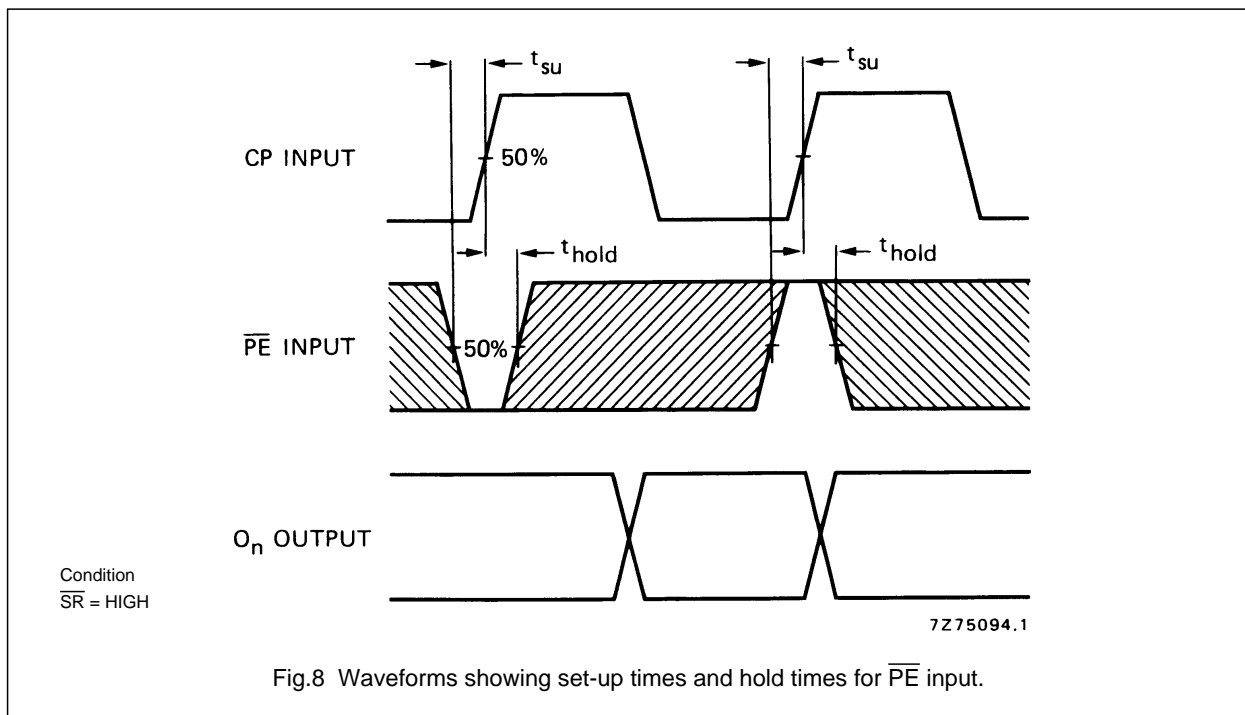
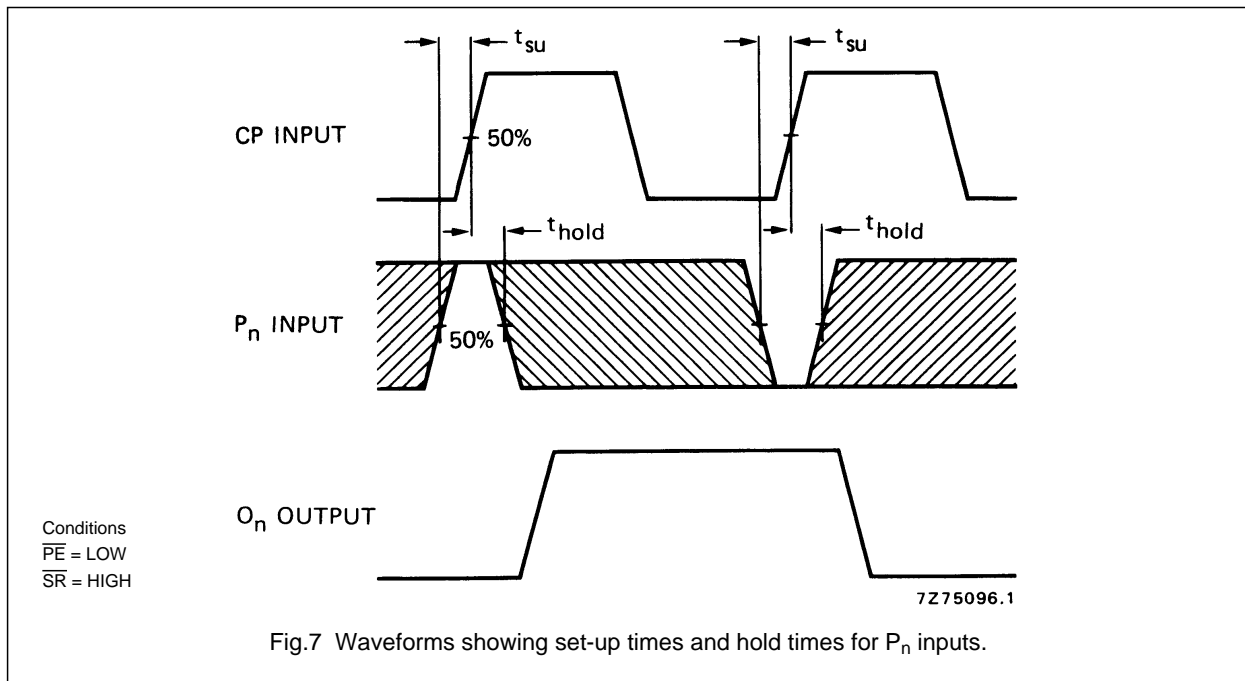
	$V_{DD}$ V	SYMBOL	MIN.	TYP.	MAX.
Minimum clock pulse width; LOW	5	$t_{WCPL}$	100	50	ns
	10		40	20	ns
	15		30	15	ns
Set-up times $P_n \rightarrow CP$	5	$t_{su}$	110	55	ns
	10		40	20	ns
	15		30	15	ns
$\overline{PE} \rightarrow CP$	5	$t_{su}$	120	60	ns
	10		40	20	ns
	15		25	10	ns
CEP, CET $\rightarrow CP$	5	$t_{su}$	260	130	ns
	10		100	50	ns
	15		70	35	ns
$\overline{SR} \rightarrow CP$	5	$t_{su}$	50	25	ns
	10		20	10	ns
	15		15	10	ns
Hold times $P_n \rightarrow CP$	5	$t_{hold}$	20	-35	ns
	10		10	-10	ns
	15		5	-10	ns
$\overline{PE} \rightarrow CP$	5	$t_{hold}$	15	-45	ns
	10		5	-15	ns
	15		5	-10	ns
CEP, CET $\rightarrow CP$	5	$t_{hold}$	25	-105	ns
	10		15	-35	ns
	15		10	-25	ns
$\overline{SR} \rightarrow CP$	5	$t_{hold}$	15	-10	ns
	10		5	-5	ns
	15		5	0	ns
Maximum clock pulse frequency	5	$f_{max}$	2,5	5	MHz
	10		7	14	MHz
	15		9	18	MHz

see also waveforms  
Figs 5, 6, 7 and 8

4-bit synchronous binary counter with synchronous reset

HEF40163B  
MSI



4-bit synchronous binary counter with  
synchronous resetHEF40163B  
MSI**Note**

Set-up and hold times are shown as positive values but may be specified as negative values.



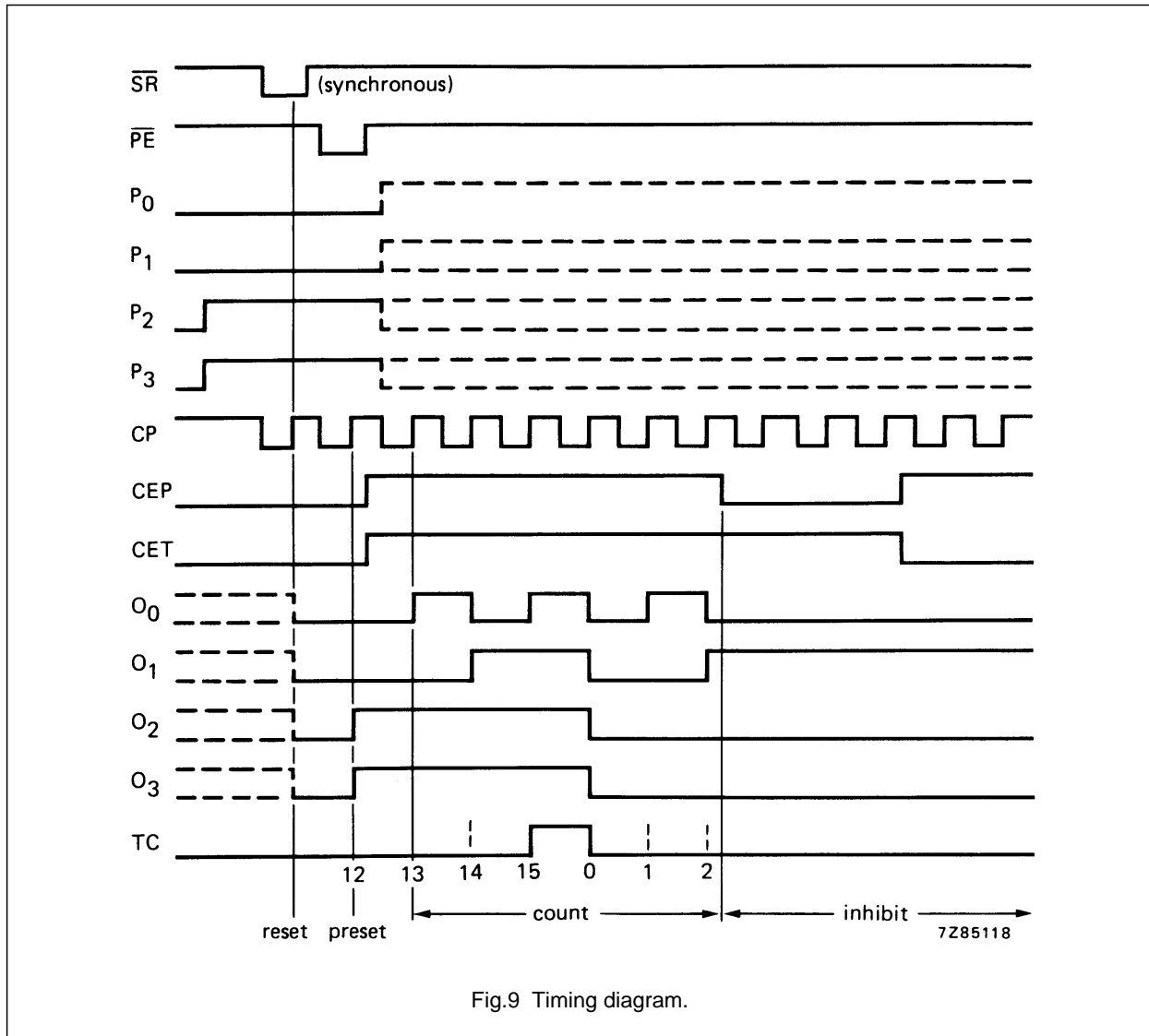
4-bit synchronous binary counter with  
synchronous resetHEF40163B  
MSI

Fig.9 Timing diagram.

**APPLICATION INFORMATION**

An example of an application for the HEF40163B is:

- Programmable binary counter.

4-bit synchronous binary counter with synchronous reset

HEF40163B  
MSI

