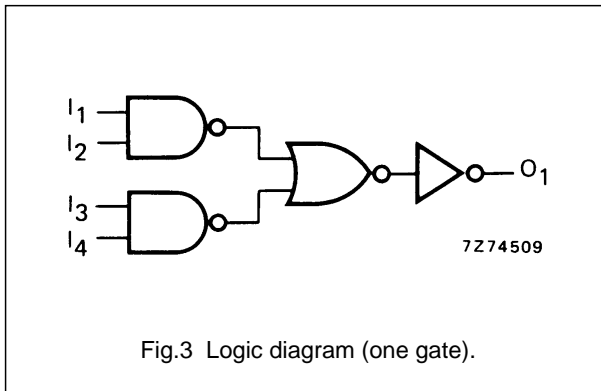
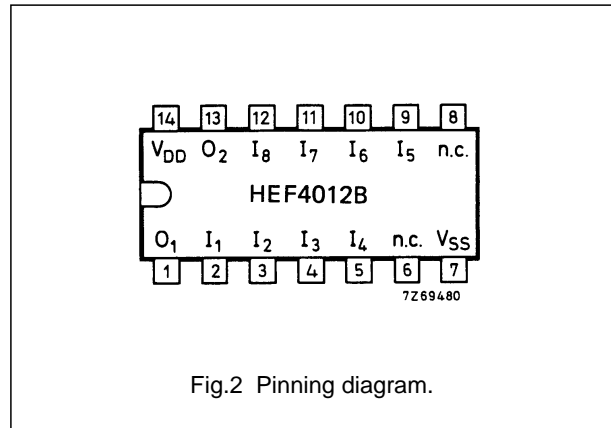
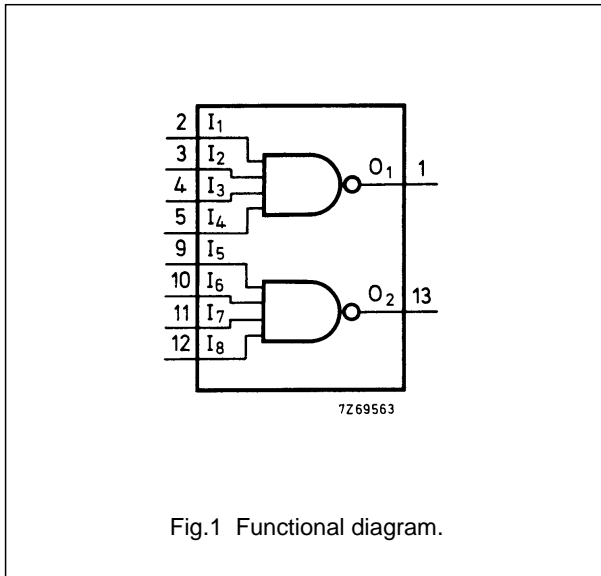


Dual 4-input NAND gate

HEF4012B gates

DESCRIPTION

The HEF4012B provides the positive dual 4-input NAND function. The outputs are fully buffered for highest noise immunity and pattern insensitivity of output impedance.



- HEF4012BP(N): 14-lead DIL; plastic (SOT27-1)
- HEF4012BD(F): 14-lead DIL; ceramic (cerdip) (SOT73)
- HEF4012BT(D): 14-lead SO; plastic (SOT108-1)
- (): Package Designator North America

FAMILY DATA, I_{DD} LIMITS category GATES

see Family Specifications