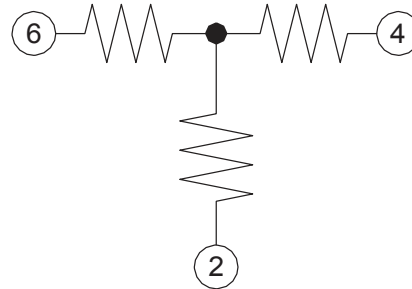
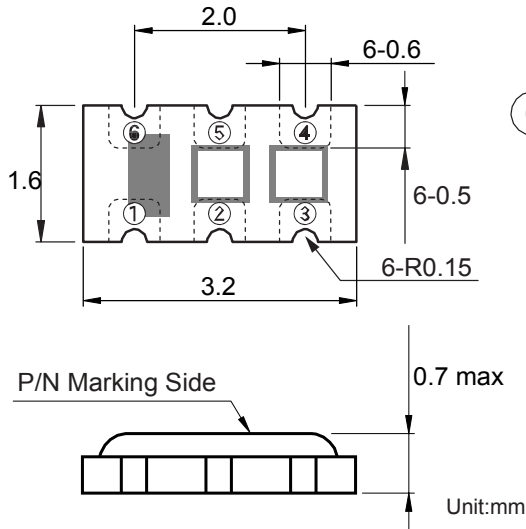


## Dimensions and Schematics



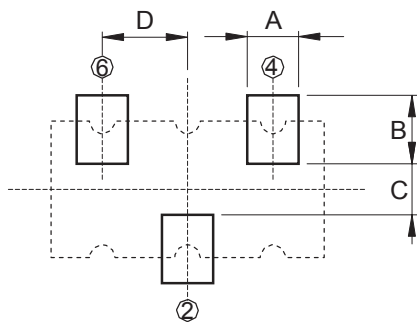
- ①, ③, ⑤ : N. C
- ② : GND
- ④, ⑥ : Input / Output

## Rating

Style No.	Frequency Range [ MHz ]	Attenuation [ dB ]	Rated Power [ W ]	VSWR	Impedance [ $\Omega$ ]	Working Temp. Range [ C ]
CAT3131-0020	DC~1000	20 $\pm$ 1.3	1 / 10	1.25 max.	50	-55 ~ +125 C
CAT3131-0003	DC~3000	3 $\pm$ 0.5				
CAT3131-0006	DC~3000	6 $\pm$ 0.5				
CAT3131-0010	DC~3000	10 $\pm$ 0.7				

- For other attenuations, if required. Please contact us for possibility.
- Test Fixture : Teflon 0.4 mm

## Recommendable Footprint



Unit : mm

A	0.6 $\pm$ 0.1
B	0.8 $\pm$ 0.1
C	0.6 $\pm$ 0.1
D	1.0 $\pm$ 0.1